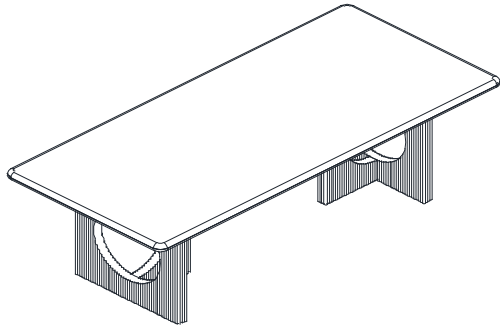


# ASSEMBLY INSTRUCTIONS



**+ Do Not Use Power Tools**



**+ Suggested Adults**



## NOTE:

- 1 Read instructions cover to cover.
- 2 Save all packaging until assembly is completed.

## 1 IMPORTANT SAFETY INFORMATION

**Do not** assemble the product if any of the following parts arrived damaged:

- PART# ① -Table Top  
PART# ② -Connecting panel  
PART# ③ -Leg frame  
PART# ④ -Leg frame support

## 2 IMPORTANT ASSEMBLY INFORMATION

**Disassemble Step 1:** Disattach Part ② to Part ①

**Assembly Step 2:** Lock Part ③ to Part ④

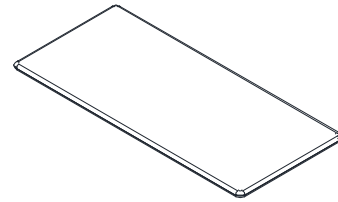
**Assembly Step 3:** Use wrench D to drive A fitted with C, D to fasten ③ ④ to ②

**Assembly Step 4:** Use wrench D to drive A fitted with C, D to fasten ② to ①

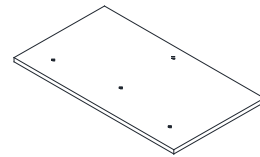
**\*Warning:** Do not over tighten screws, or it could damage the Table Top.

## + Parts Included

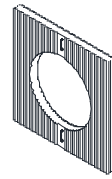
- ① Table top (1/pc)



- ② Connecting panel (2/pcs)



- ③ Leg frame (2/pcs)



- ④ Leg frame support (2/pcs)



## + Hardware Included

**A** bolts M8x38  
(24/pcs)



**B** flat washer  
(24/pcs)



**C** spring washer  
(24/pcs)

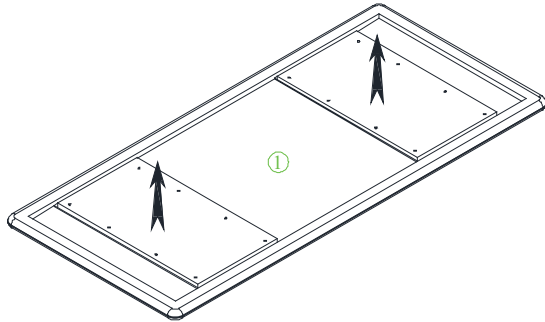


**D** 5# wrench  
(1/pcs)

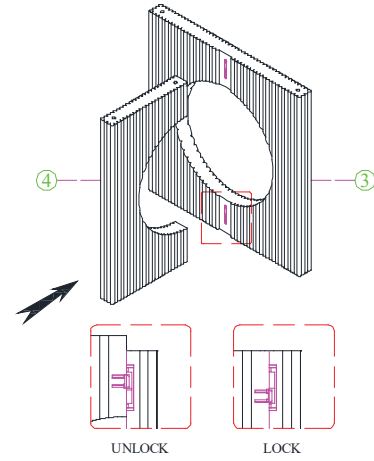


# ASSEMBLY INSTRUCTIONS

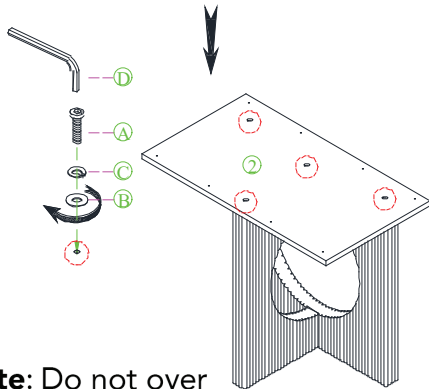
1



2

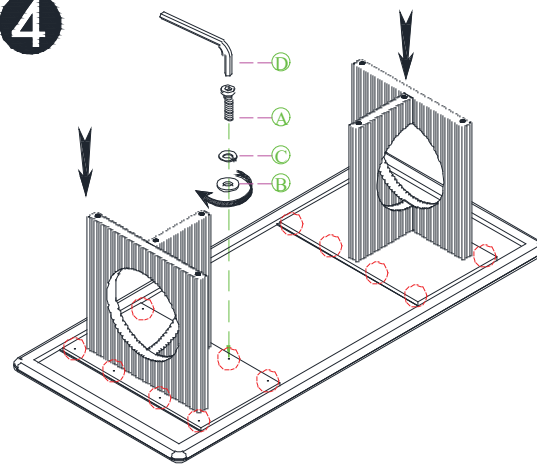


3

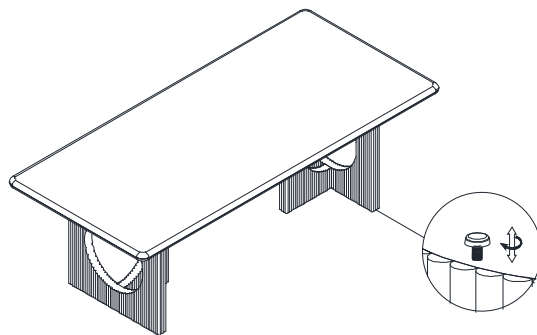


**Note:** Do not over tighten screws

4



5



The assembly of the table is complete