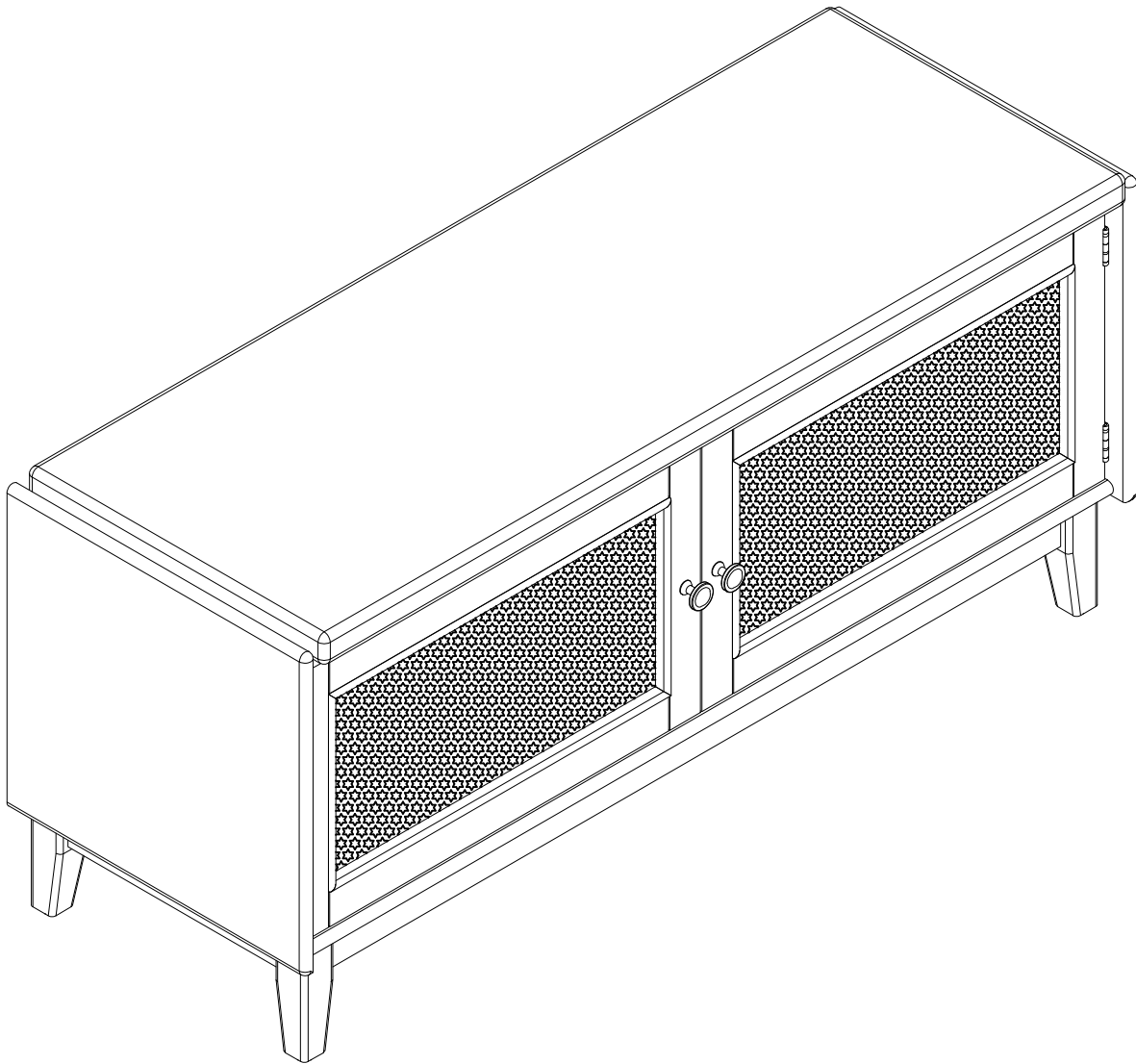
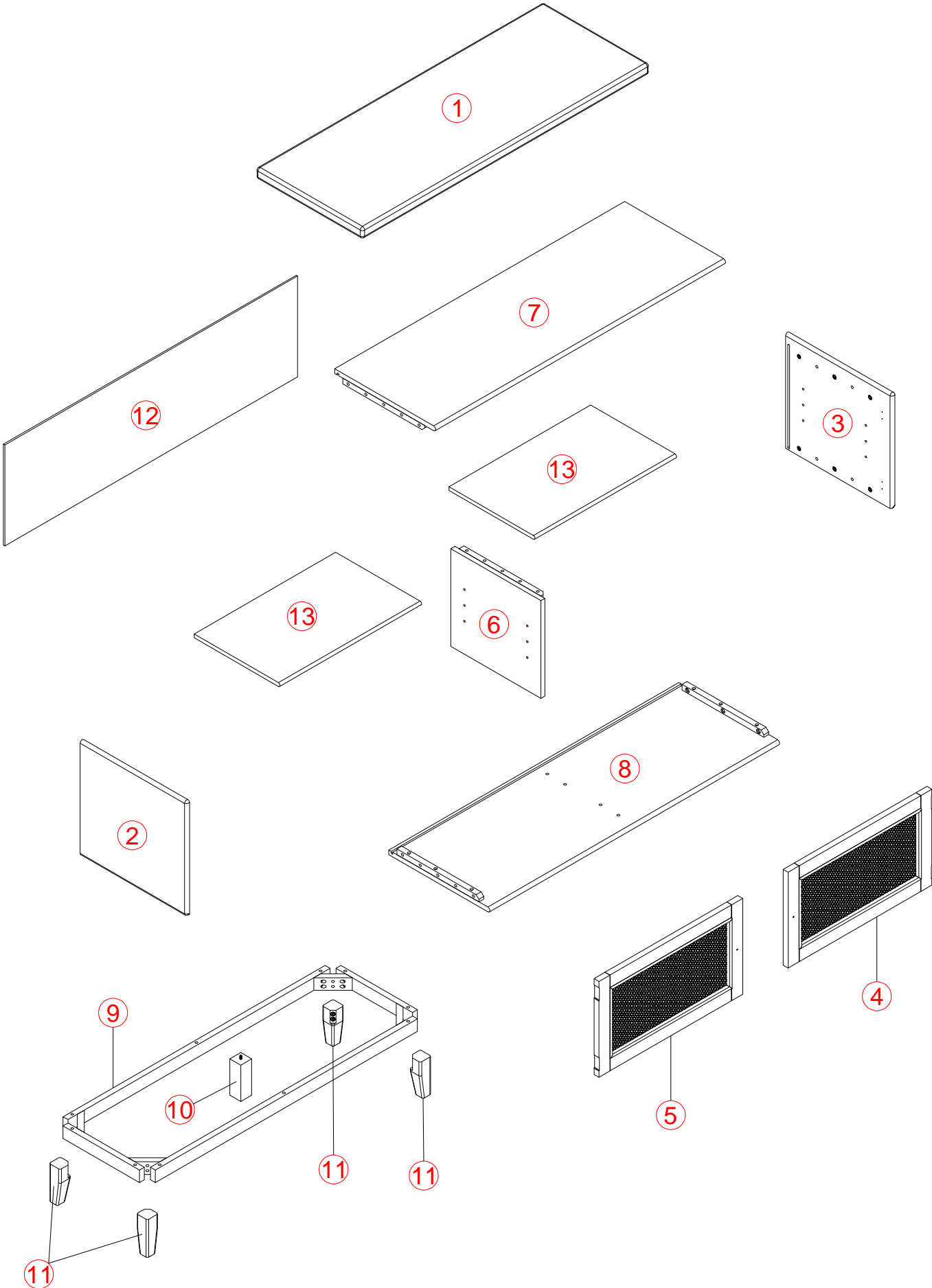


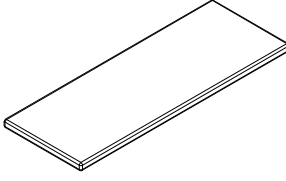
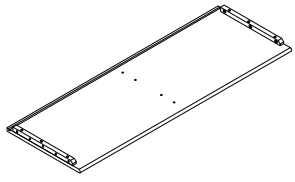
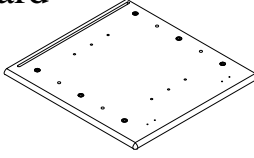
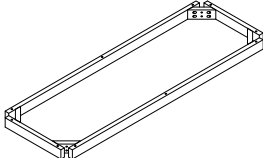
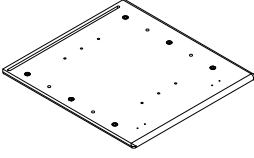
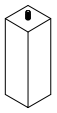
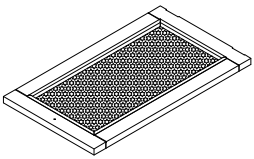
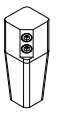
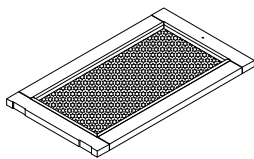
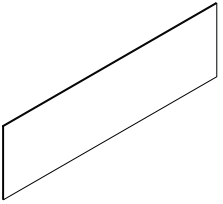
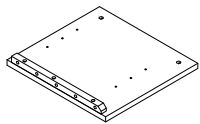
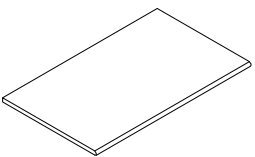
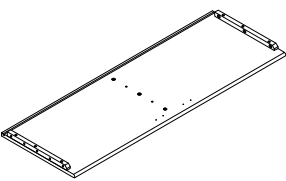
ASSEMBLY INSTRUCTIONS



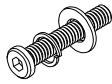


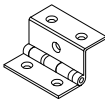
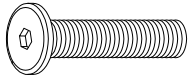
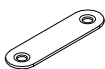
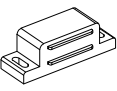



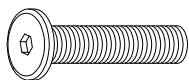

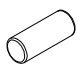
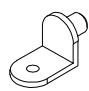
PRODUCT DETAILS

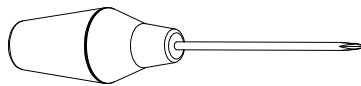


PARTS LIST

①	<p>Seat cushion</p> 	1pc	⑧	<p>Bottom board</p> 	1pc
②	<p>Left side board</p> 	1pc	⑨	<p>Base frame</p> 	1pc
③	<p>Right side board</p> 	1pc	⑩	<p>Support leg</p> 	1pc
④	<p>Right door panel</p> 	1pc	⑪	<p>Legs</p> 	4pcs
⑤	<p>Left door panel</p> 	1pc	⑫	<p>Backboard</p> 	1pc
⑥	<p>Partition board</p> 	1pc	⑬	<p>Floor shelf board</p> 	2pcs
⑦	<p>Top board</p> 	1pc			

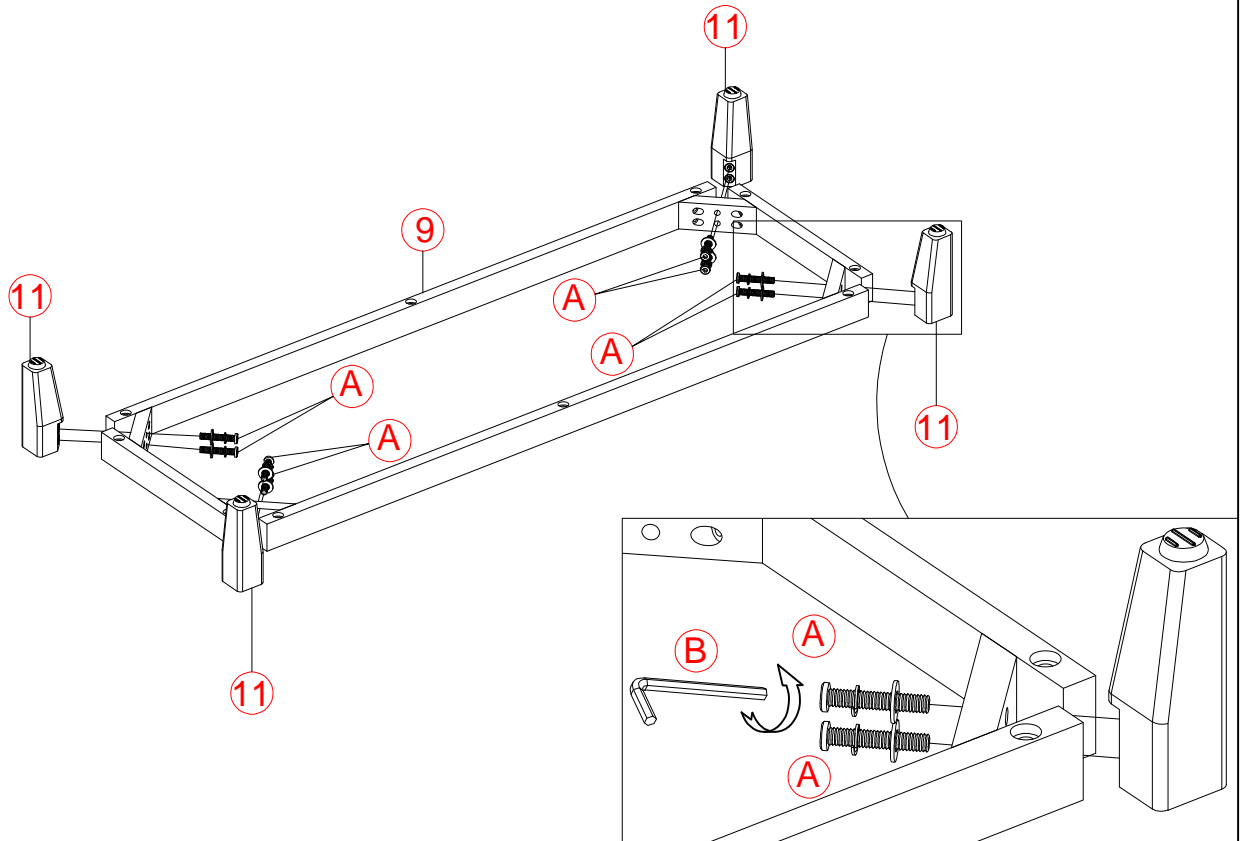
HARDWARE LIST

A	M6*60mm		8pcs		H	M6*50mm		2pcs
B	L4*58mm		1pc	I	L40mm		4pcs	
C	M6*45mm		10pcs	J	L45mm		2pcs	
D	L45mm		2pcs	K	Ø 30mm		2pcs	
E	3.5*15mm		28pcs	L	M4*25mm		2pcs	
F	M6*25mm		15pcs	M	3.5*10mm		8pcs	
G	Ø 8*20mm		12pcs	N	L15mm		8pcs	




ASSEMBLY TOOLS REQUIRED (NOT INCLUDED)

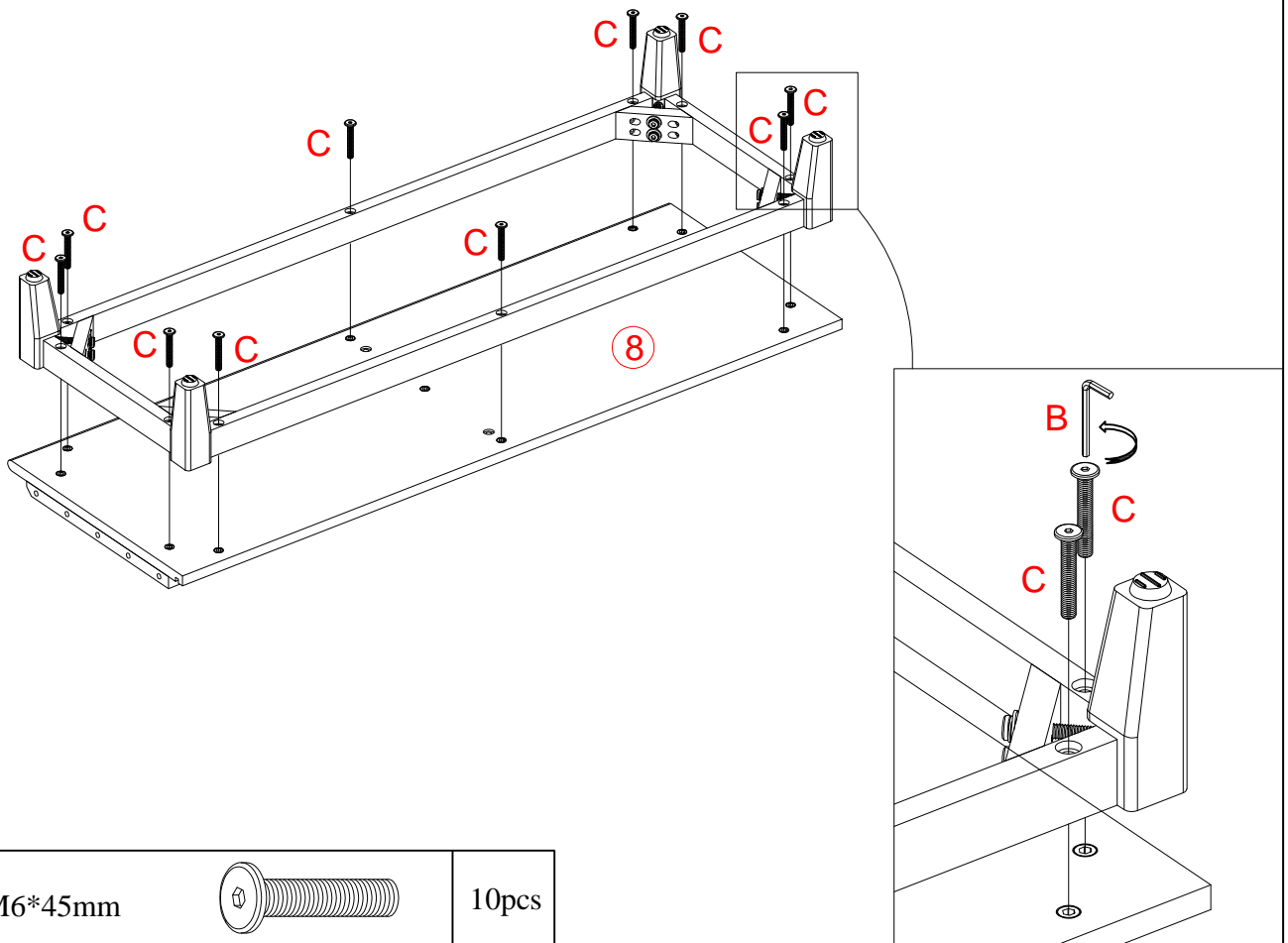
STEP 1

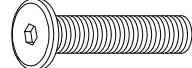


(A)	M6*60mm		8pcs
------------	---------	--	------

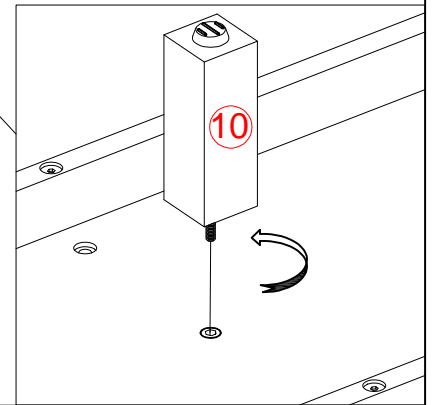
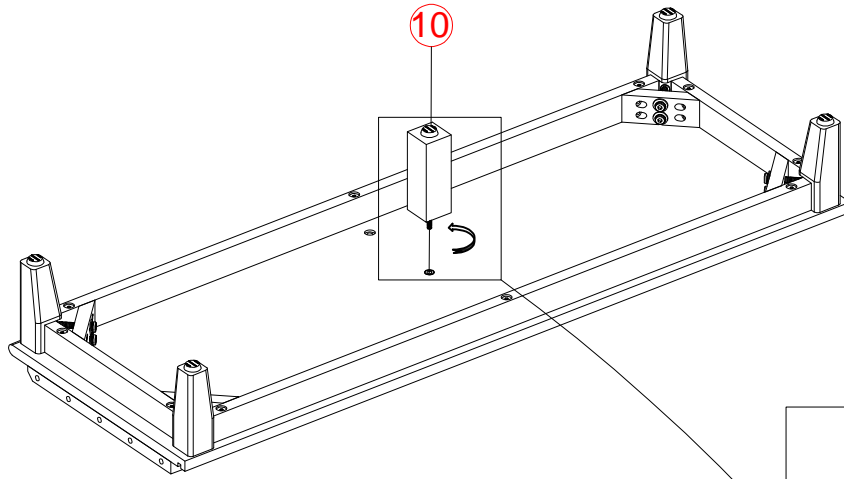
(B)	L4*58mm		1pc
------------	---------	--	-----

STEP 2

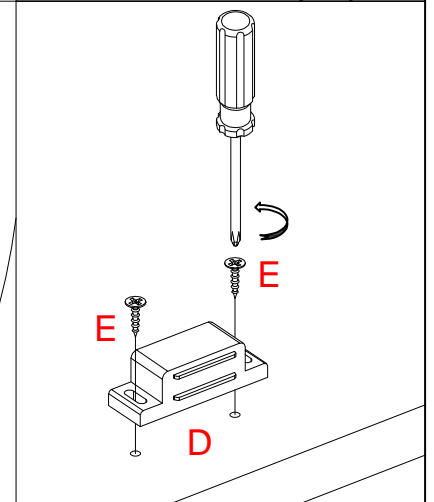
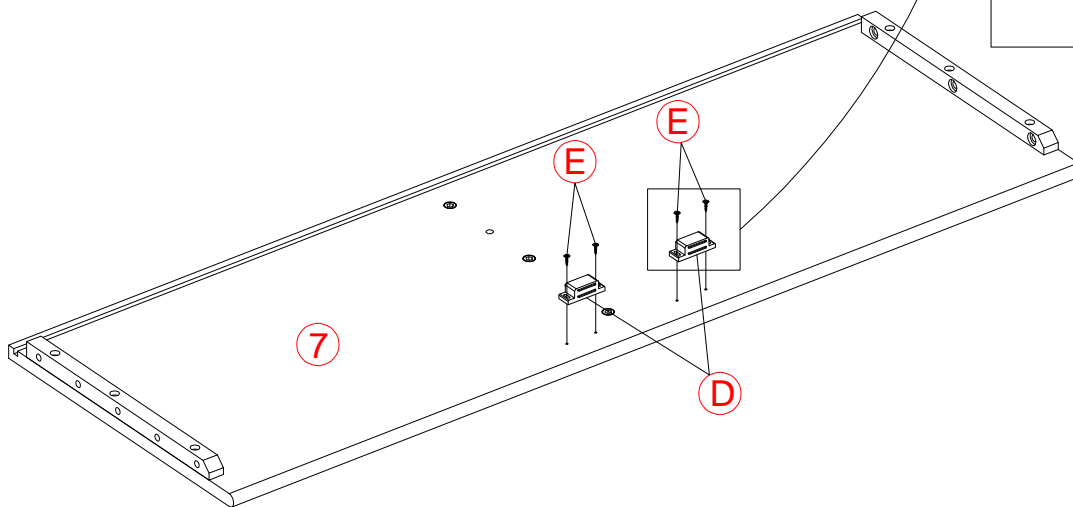



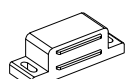


(C)	M6*45mm		10pcs
------------	---------	---	-------

STEP 3

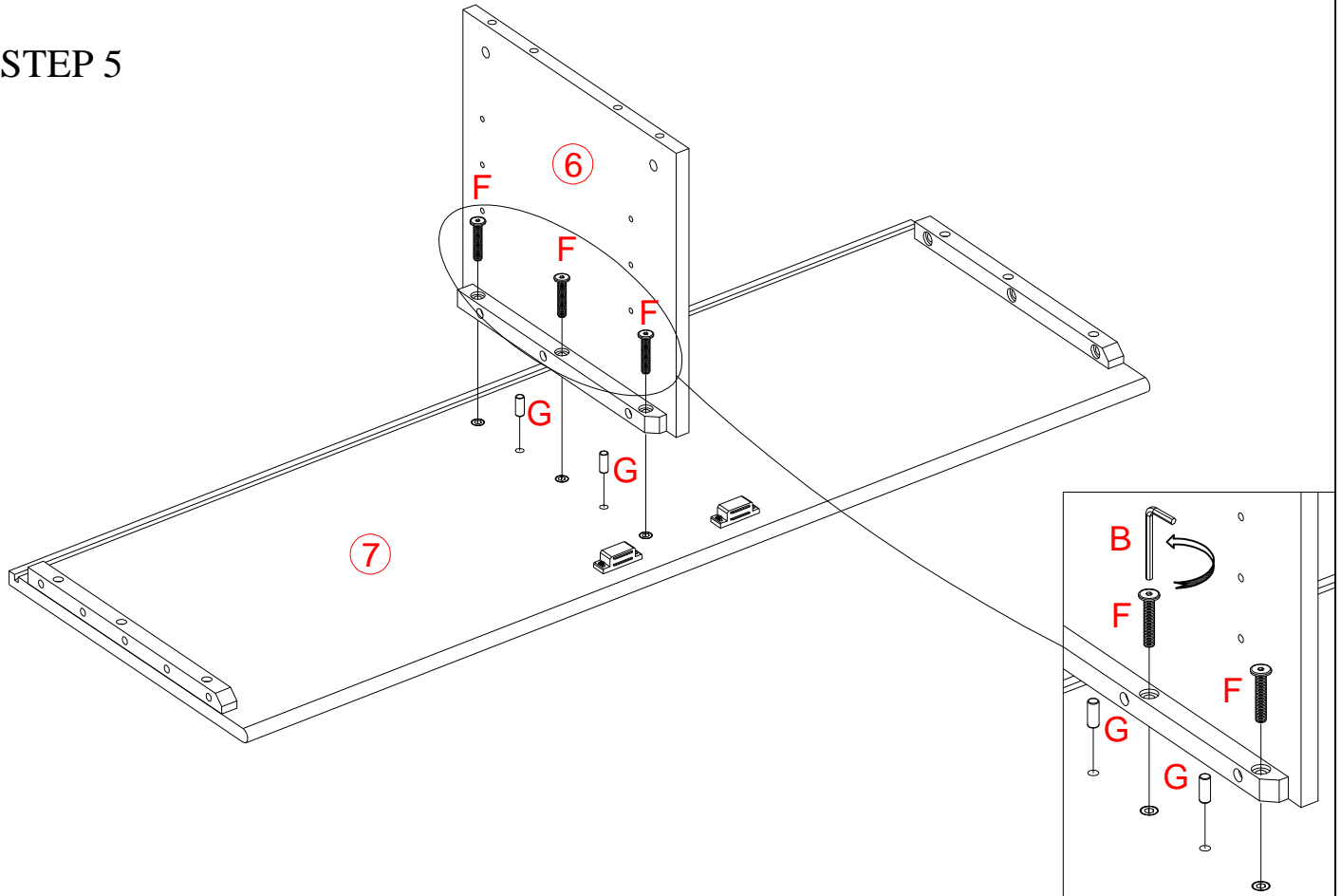


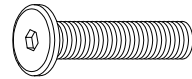
STEP 4

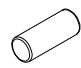


	L45mm 	2pcs		3.5*15mm 	4pcs
--	--	------	---	---	------

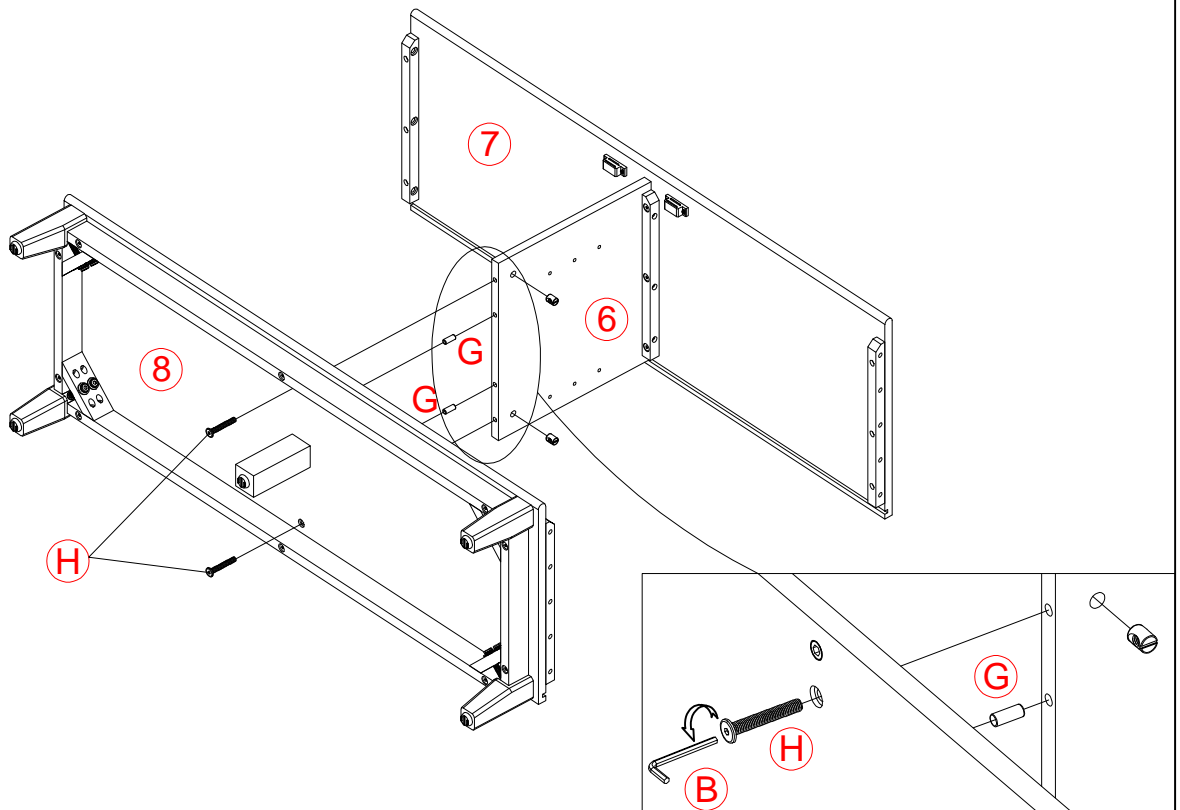
STEP 5




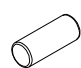
<p>(F)</p>	<p>M6*25mm</p>		<p>3pcs</p>
------------	----------------	---	-------------

<p>(G)</p>	<p>Ø 8*20mm</p>		<p>2pcs</p>
------------	-----------------	---	-------------

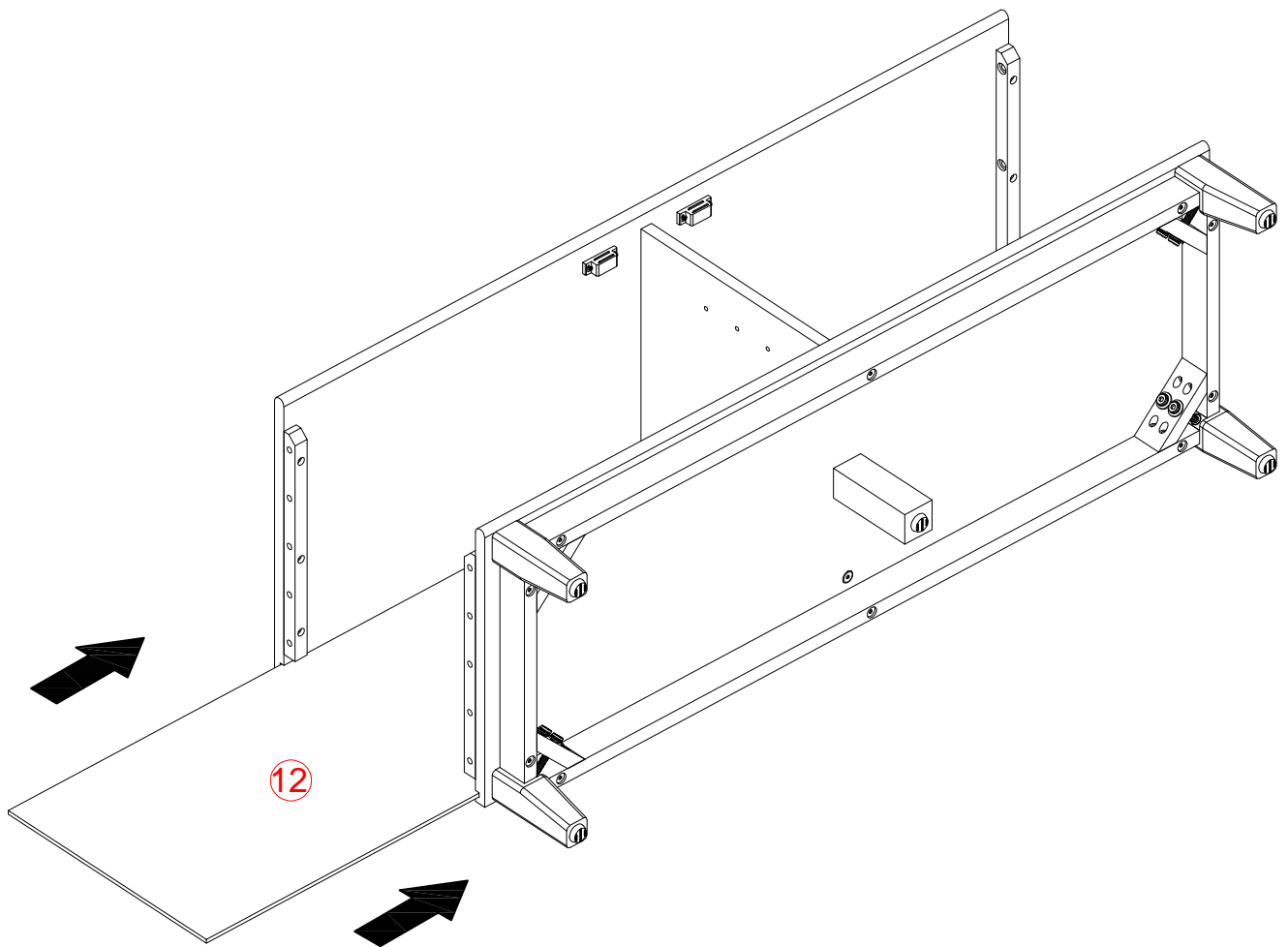
STEP 6



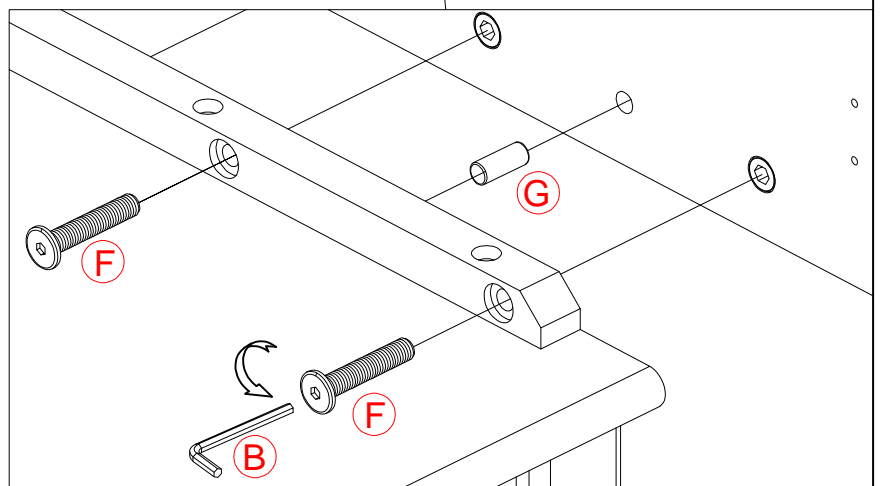
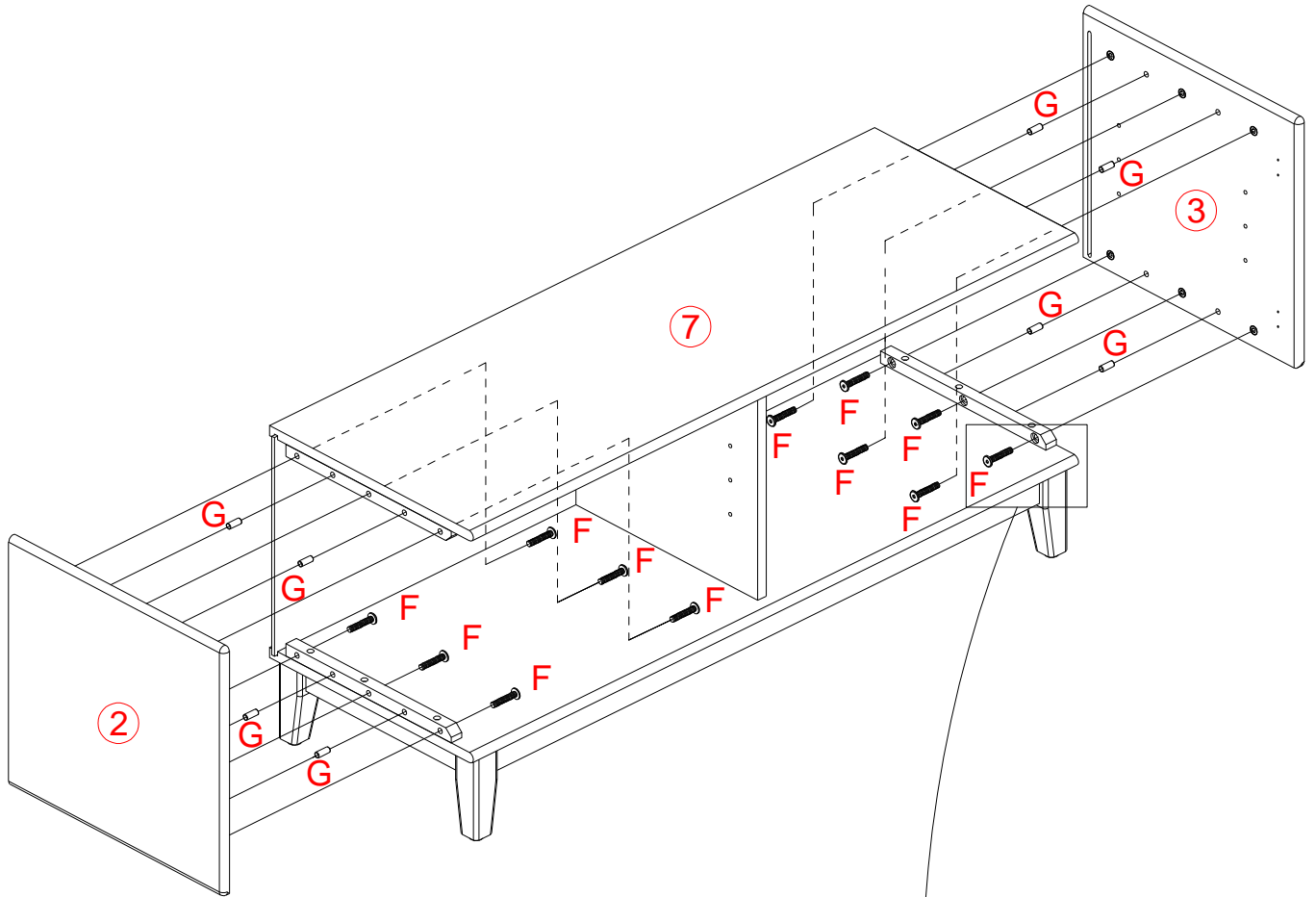
<p>(H)</p>	<p>M6*50mm</p>		<p>2pcs</p>
------------	----------------	---	-------------


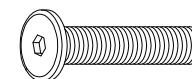

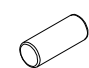
<p>(G)</p>	<p>Ø 8*20mm</p>		<p>2pcs</p>
------------	-----------------	---	-------------

STEP 7

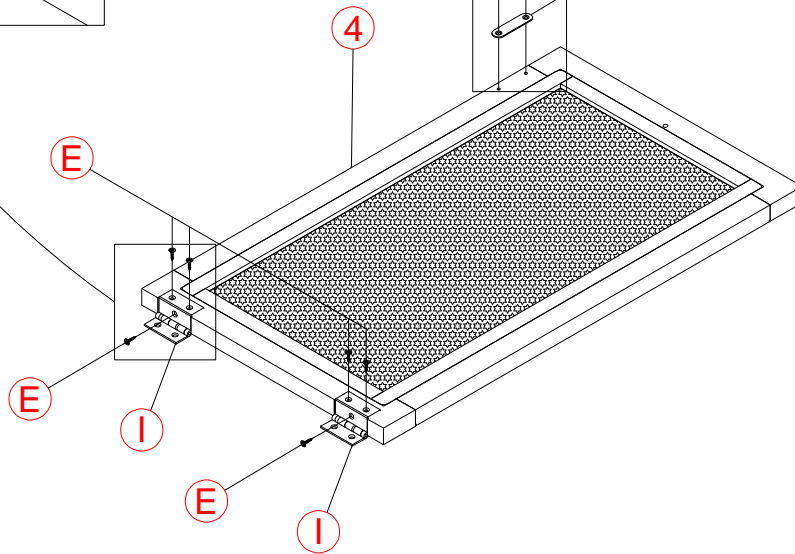
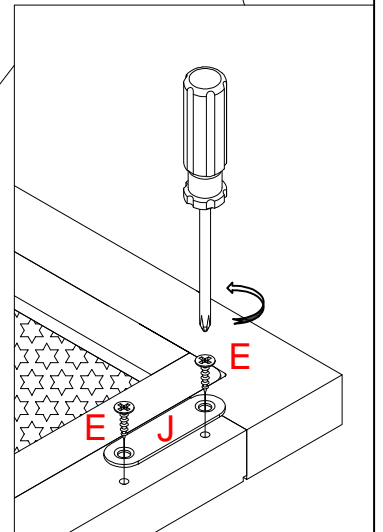
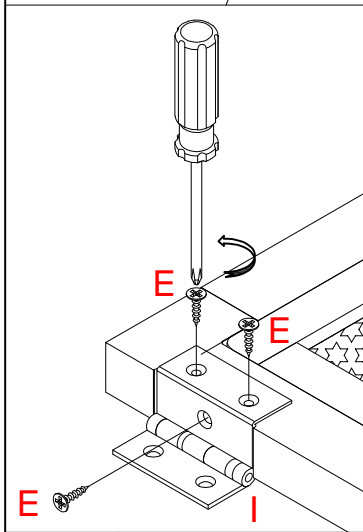
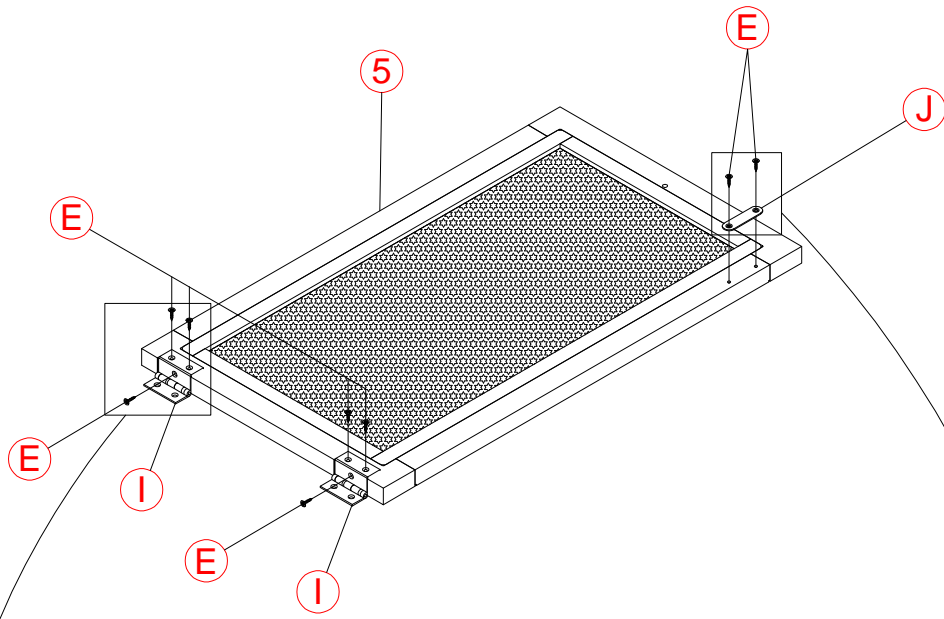



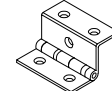
STEP 8

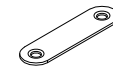


	M6*25mm 	12pcs		Ø 8*20mm 	8pcs
--	---	-------	---	--	------

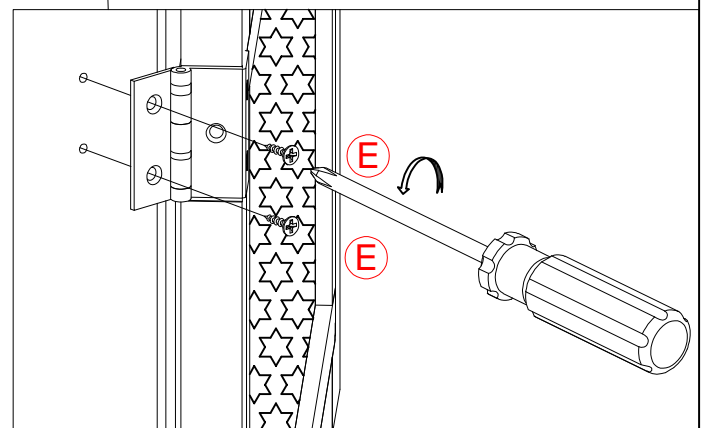
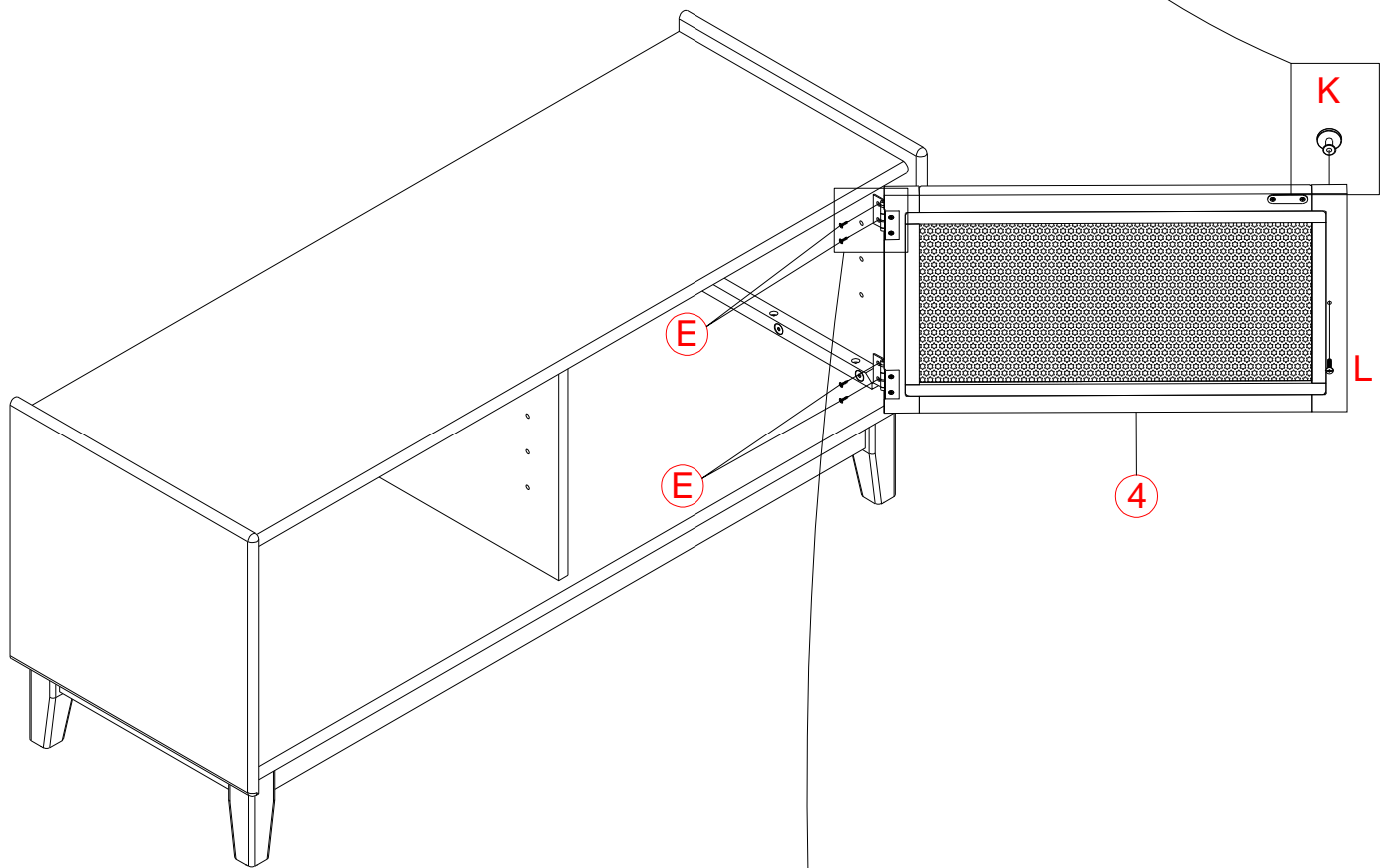
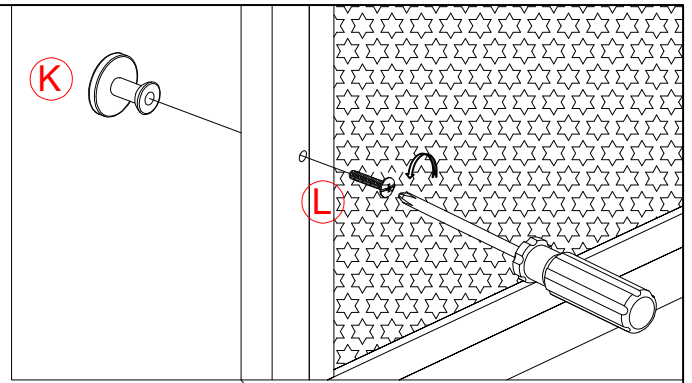
STEP 9

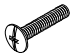




E	3.5*15mm	 16pcs
I	L40mm	 4pcs

J	L45mm	 2pcs
---	-------	---

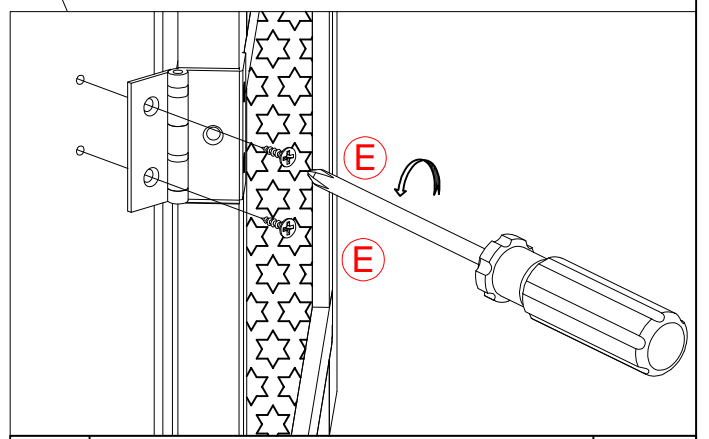
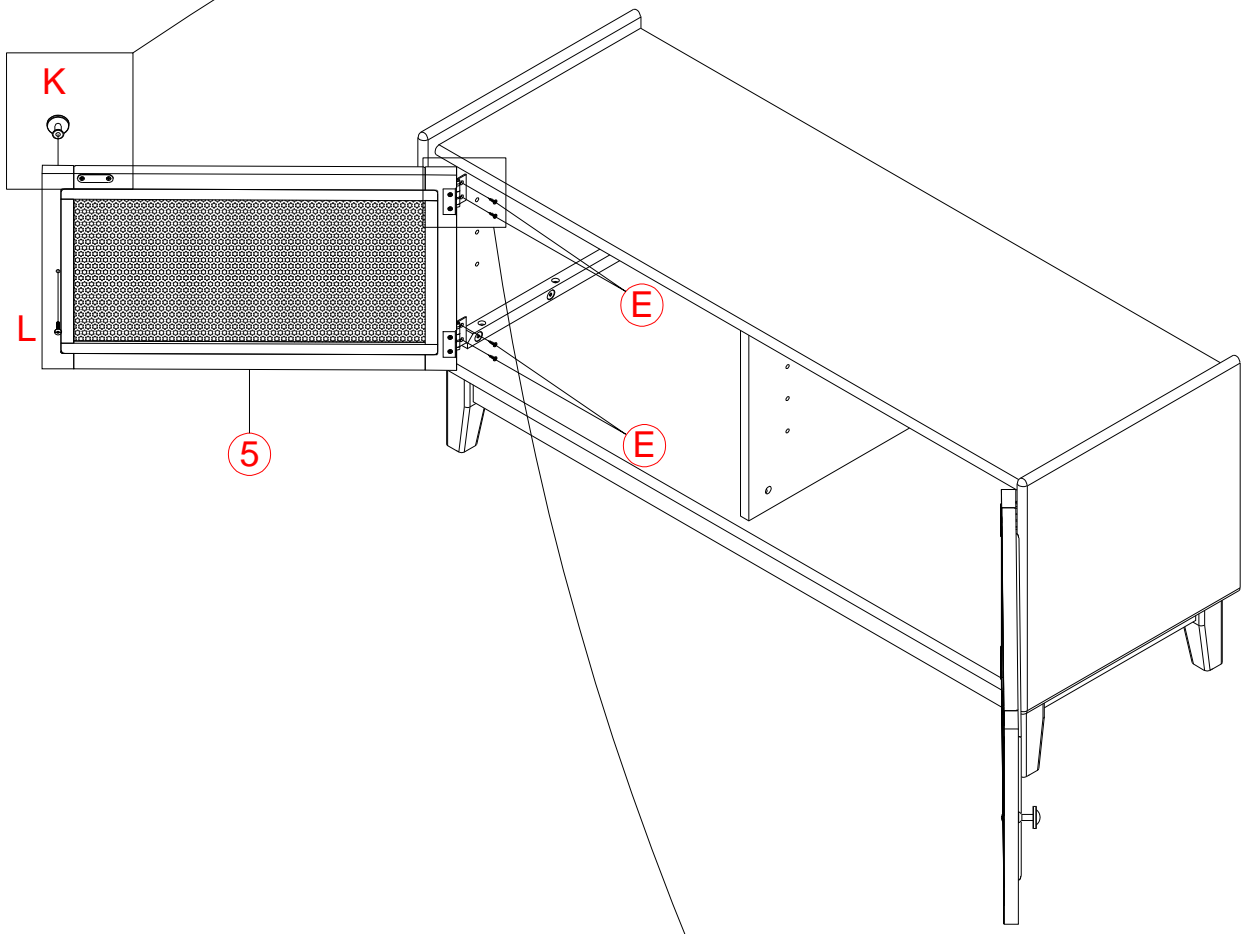
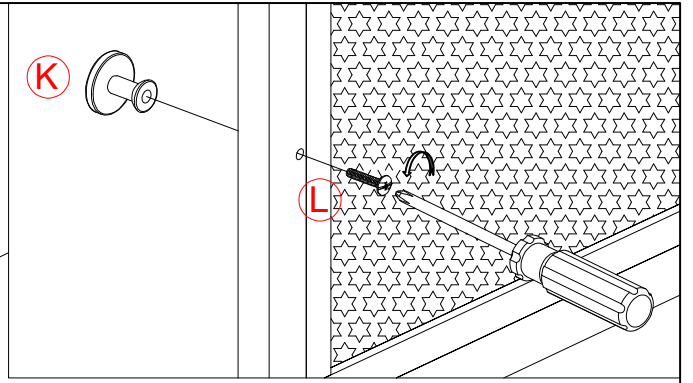
STEP 10



L	M4*25mm	 1pc
E	3.5*15mm	 4pcs

K	Ø 30mm	 1pc
---	--------	---

STEP 11

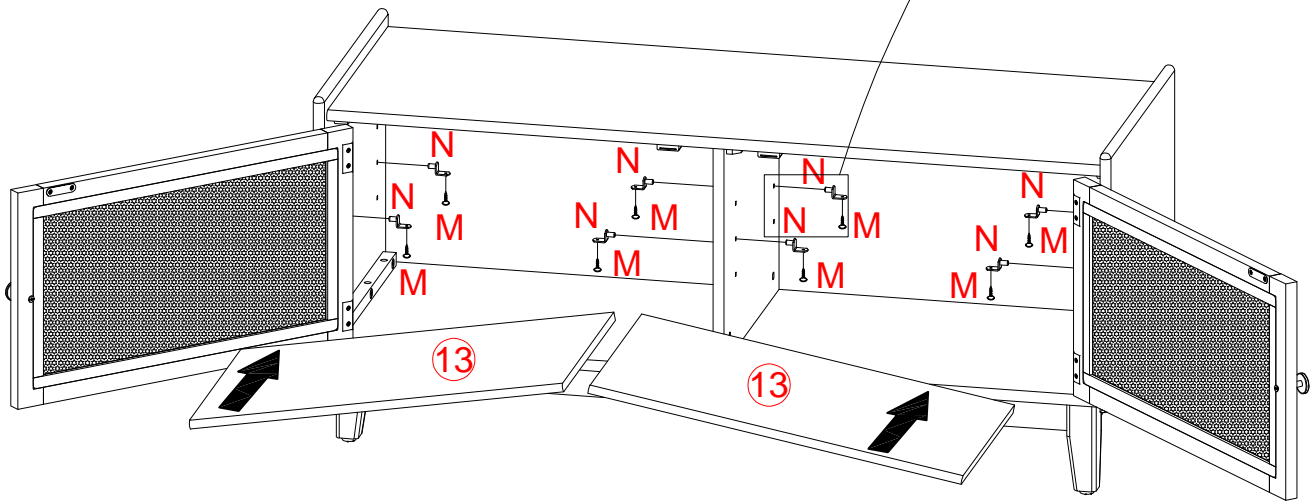
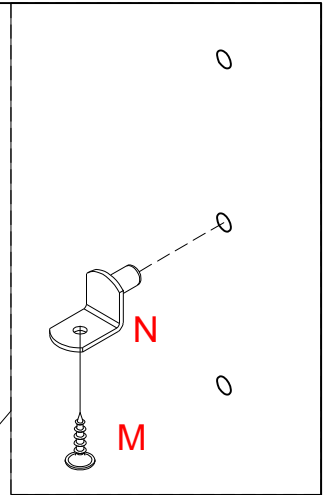


(L)	M4*25mm	 1pc
(E)	3.5*15mm	 4pcs

(K)	Ø 30mm	 1pc
------------	--------	--

STEP 12

IF THE TABLE NEEDS A FIXED SHELVING
PLEASE USE (M) IF YOU NEED A MOBILE
SHELVING PLEASE DO NOT USE (M)



	3.5*10mm 	8pcs		L15mm 	8pcs
--	--------------	------	--	-----------	------

STEP 13

