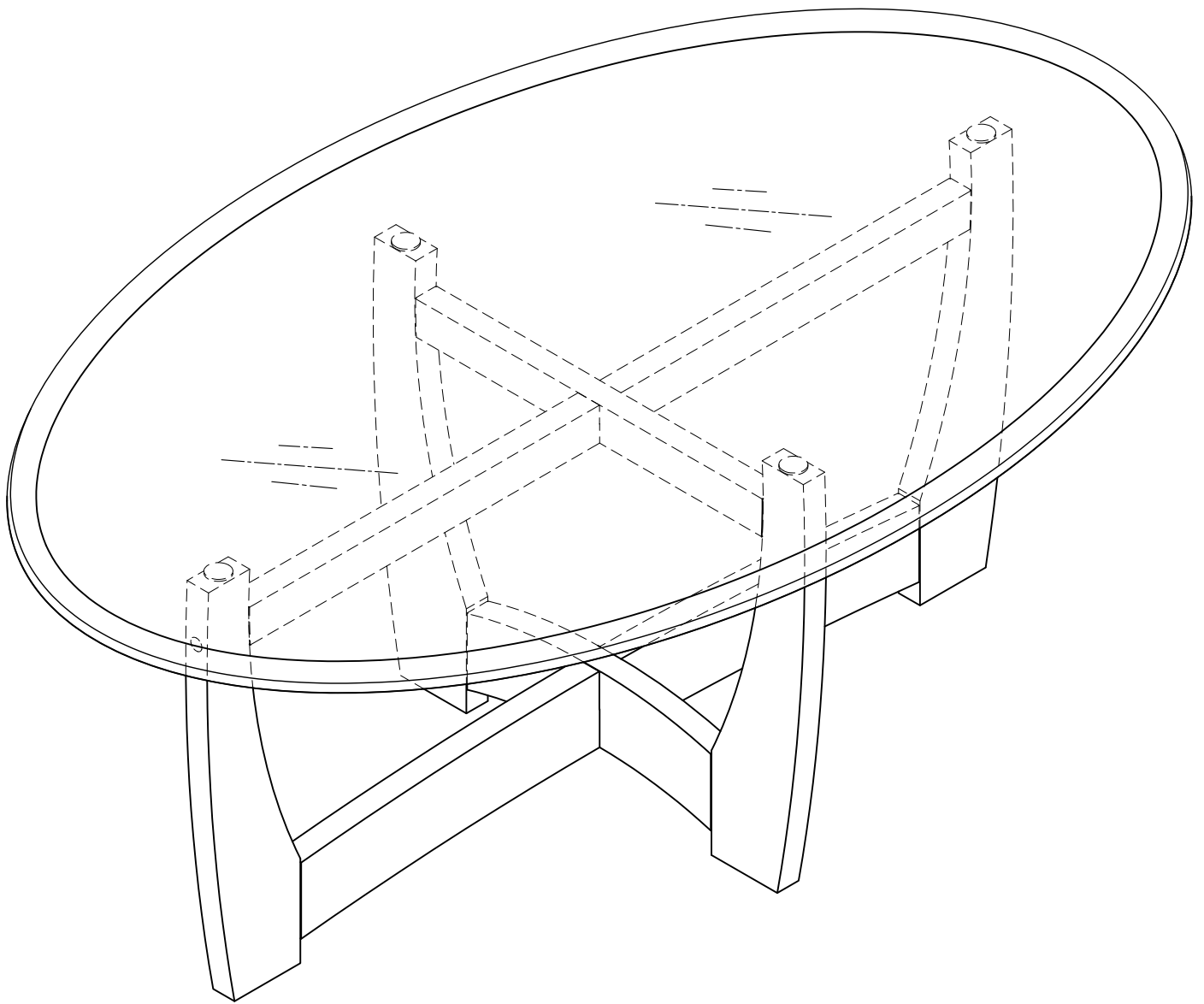


# Assembly Instructions

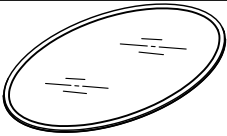
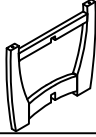
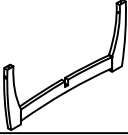
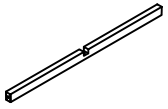
Caution: You must read this before you proceed



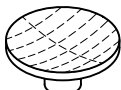
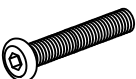
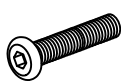
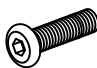

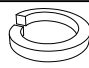
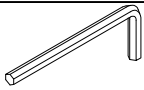
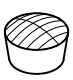
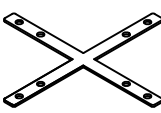
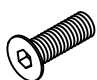
Product name:

**Coffee table**

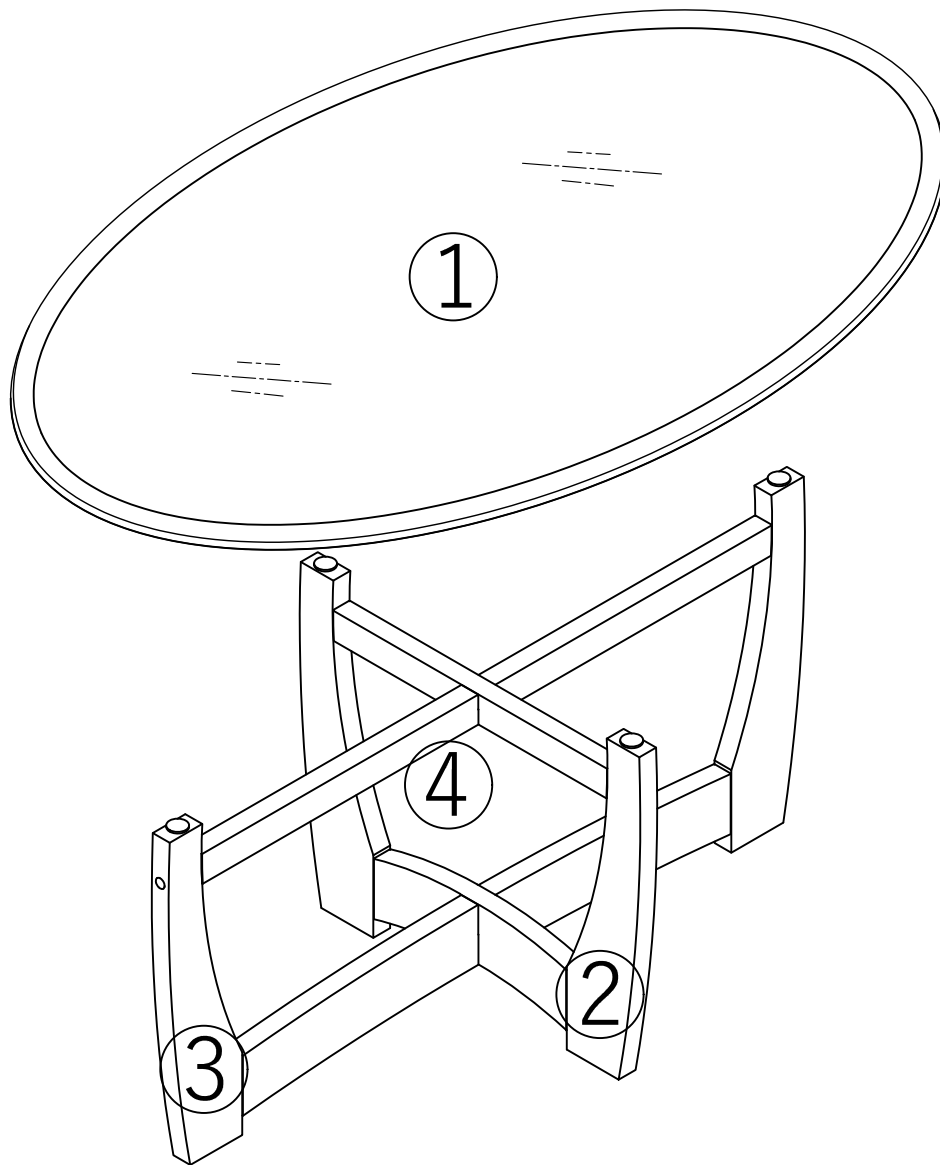
# Parts list

Label		Description	QTY
①		Glass panel	1
②		Whole frame components	1
③		Half frame components	1
④		Half frame horizontal	1

# Hardware

Label	Picture	Description	QTY
A		Glass suction cup	4
B		φ1/4"*2-1/2" bolt	2
C		φ1/4"*2" bolt	1
D		φ1/4"*1" bolt	1
E		φ1/4"x12mm flat washer	4
F		φ1/4" lock washer	4
G		Allen wrench	1
H		Wooden plug	2
I		"X" Bracket	1
J		φ1/4"*3/4" bolt	8

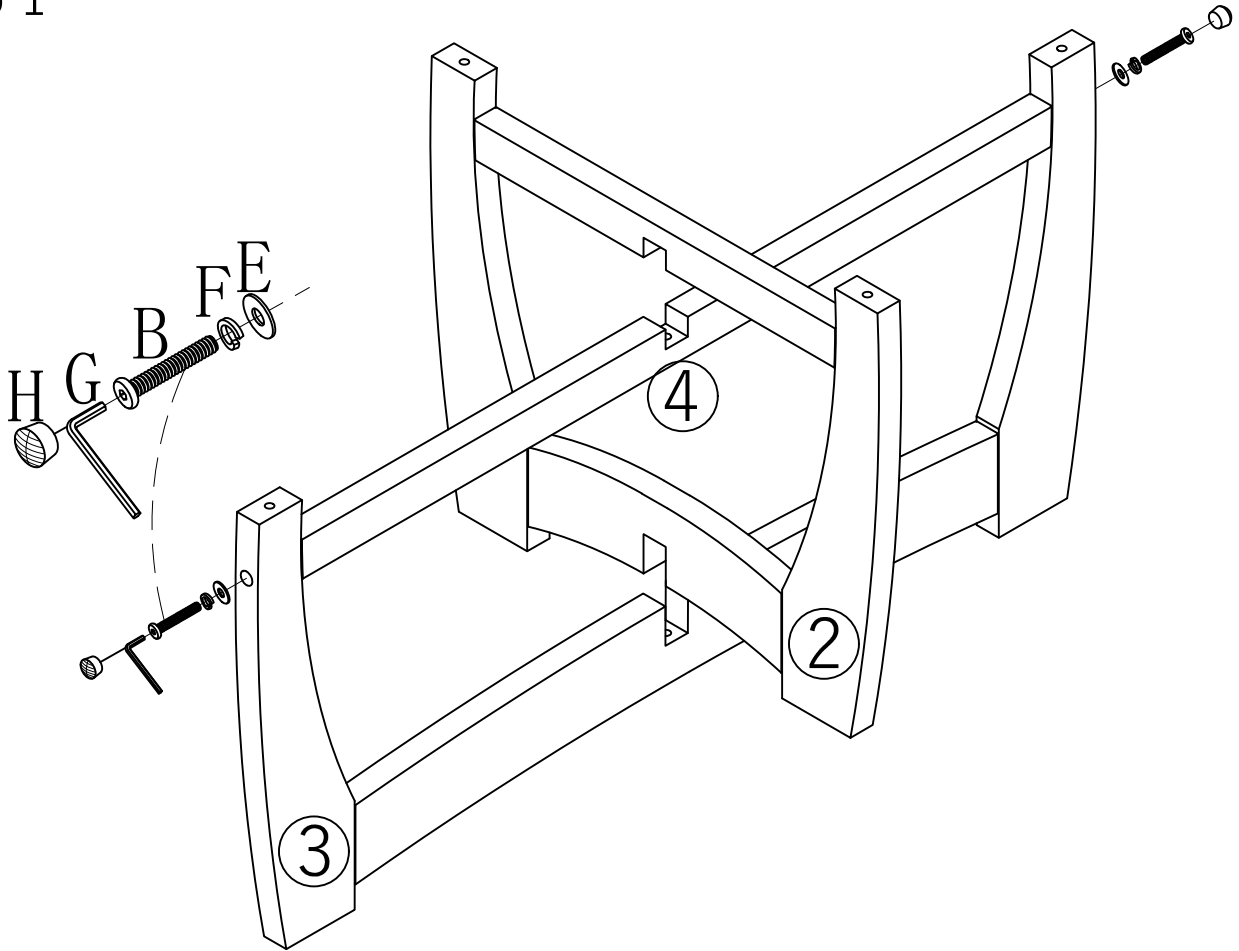
# Overview



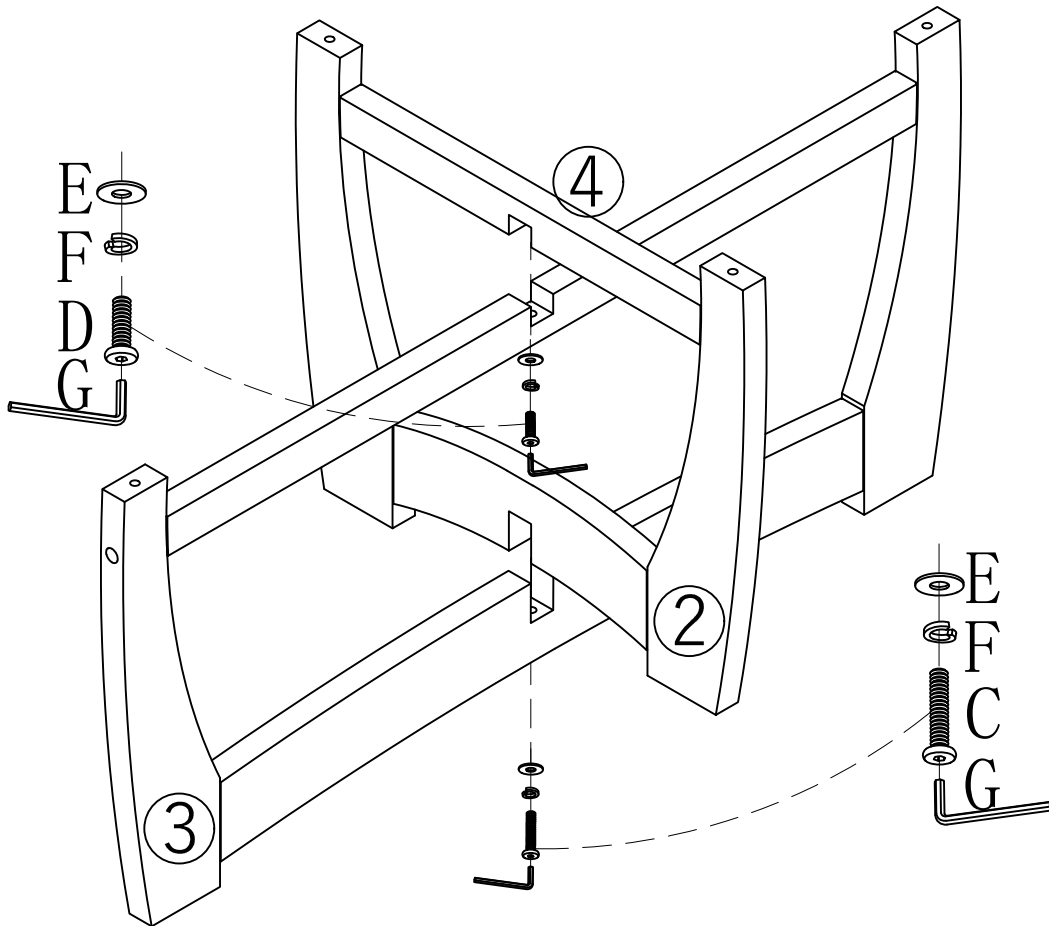
## IMPORTANT :

- Read the instructions carefully from cover to cover.
- Do not assemble on flooring or carpet.
- Assemble on a clean non-marring surface (packing foam).
- Save all packaging until finished.
- Do not tighten bolts / screws completely until all bolts / screws are lined up and inserted into holes.
- Do not over tighten screws and bolts to avoid stripping.
- Please always use hand tools to assemble this product and never use power tools.

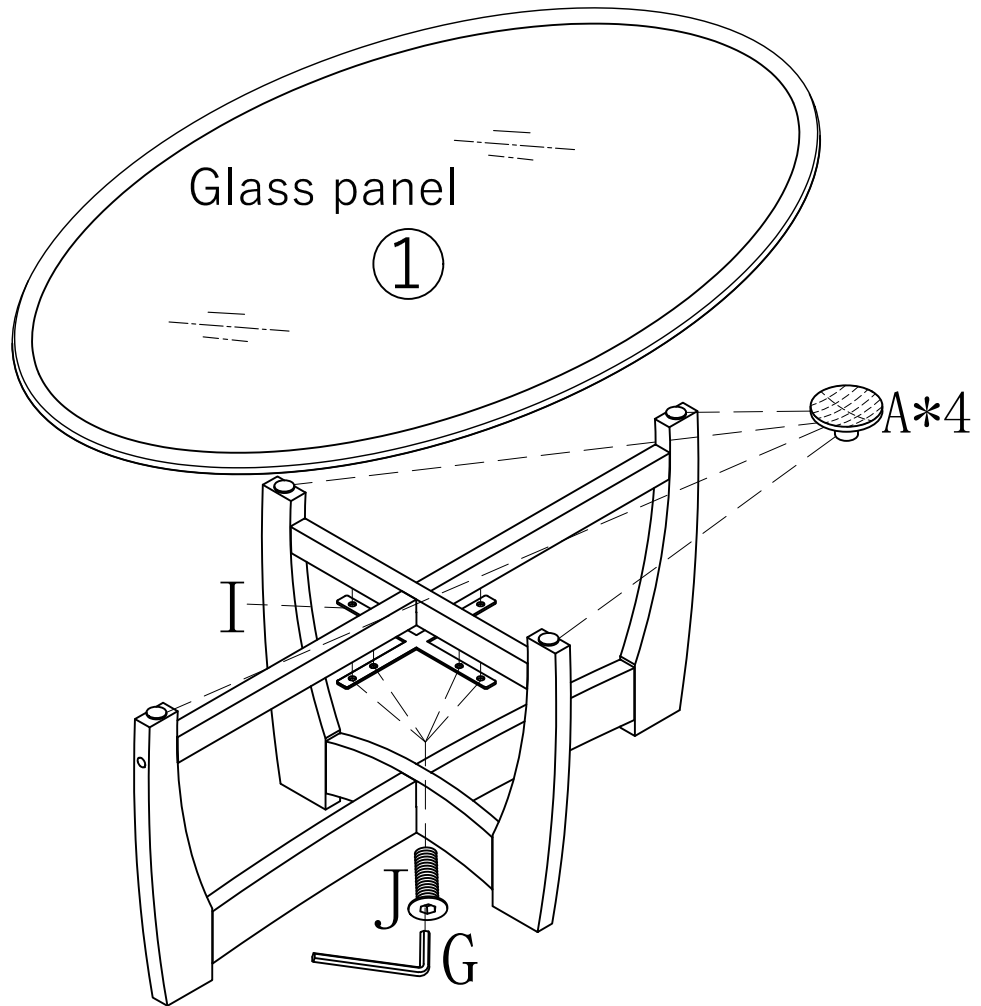
# Step 1



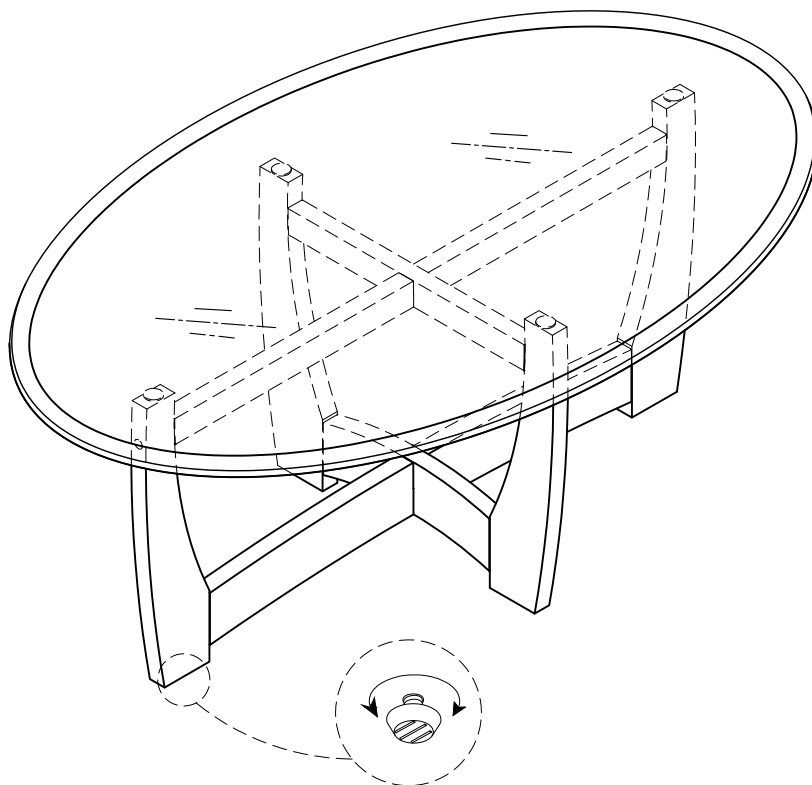
# Step 2



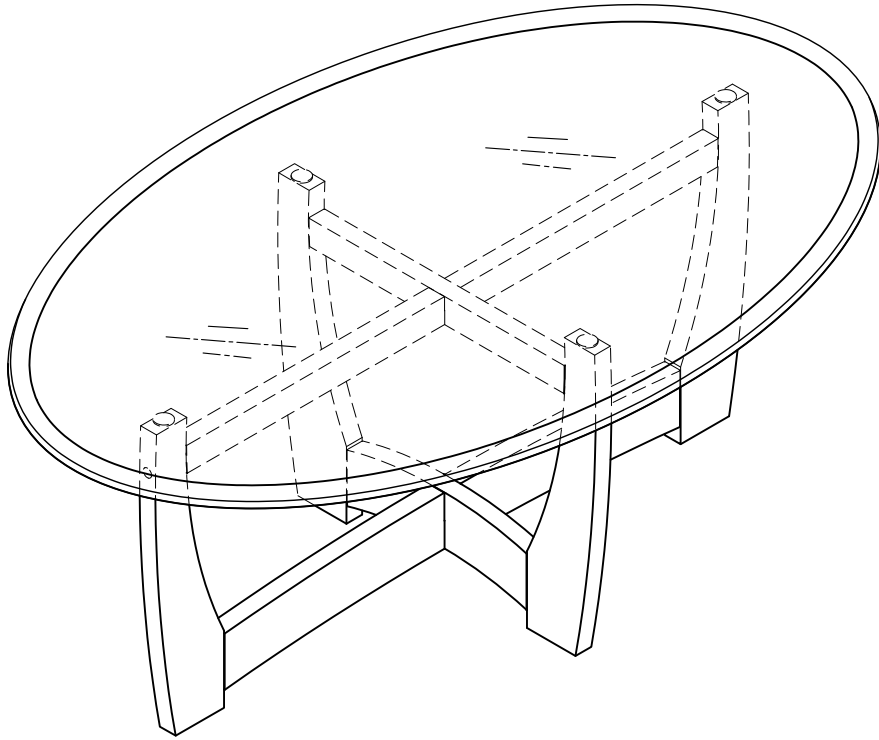
### Step 3



### Step 4



**Note: the legs can be adjusted with adjustable leveler.**



Your Item is ready for use.  
This Item should only be used on a flat, level surface.

## **Care & Maintenance**

- Furniture may scratch the floor. We recommend using furniture pads to protect your floors.
- Avoid placing heavy objects on the tabletop.
- Do not put hot items directly on furniture surface.
- Do not clean furniture with harsh cleansers or polishers.
- Do not place furniture under direct sunlight.
- Do not place furniture near heating or cooling vents.
- Do not expose the product to high temperatures or humid environments.
- Do not write on furniture without a padded barrier to protect the surface.
- Do not place furniture outside. For indoor use only.
- Stains may be removed with mild soap solution and damp cloth.
- Children should not climb or jump on the furniture.
- Dust and clean up spills using a clean, non-colored, lint-free cloth.
- Regularly check screws to ensure stability.

Dear Customer,

Thank you for your purchase! We are committed to providing you with high-quality products and services. We hope you enjoy the comfort and convenience brought by this Item. If you have any further questions or any quality issues, please don't hesitate to contact our Customer Service People: