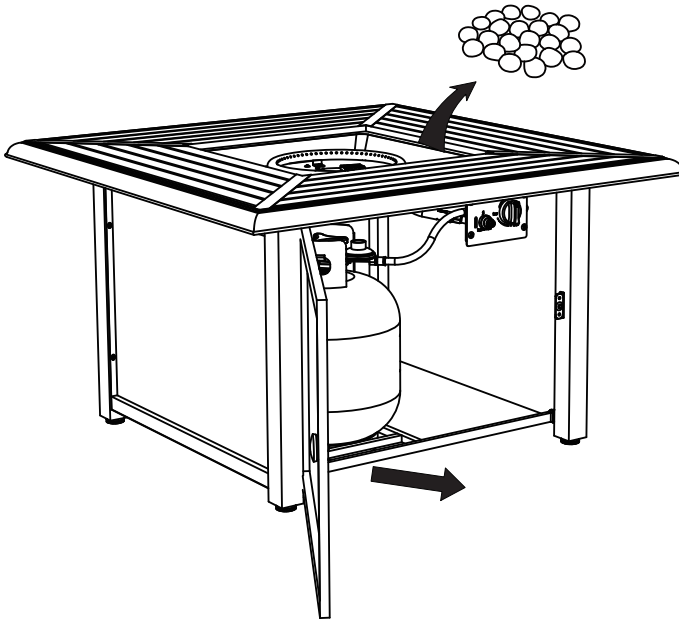


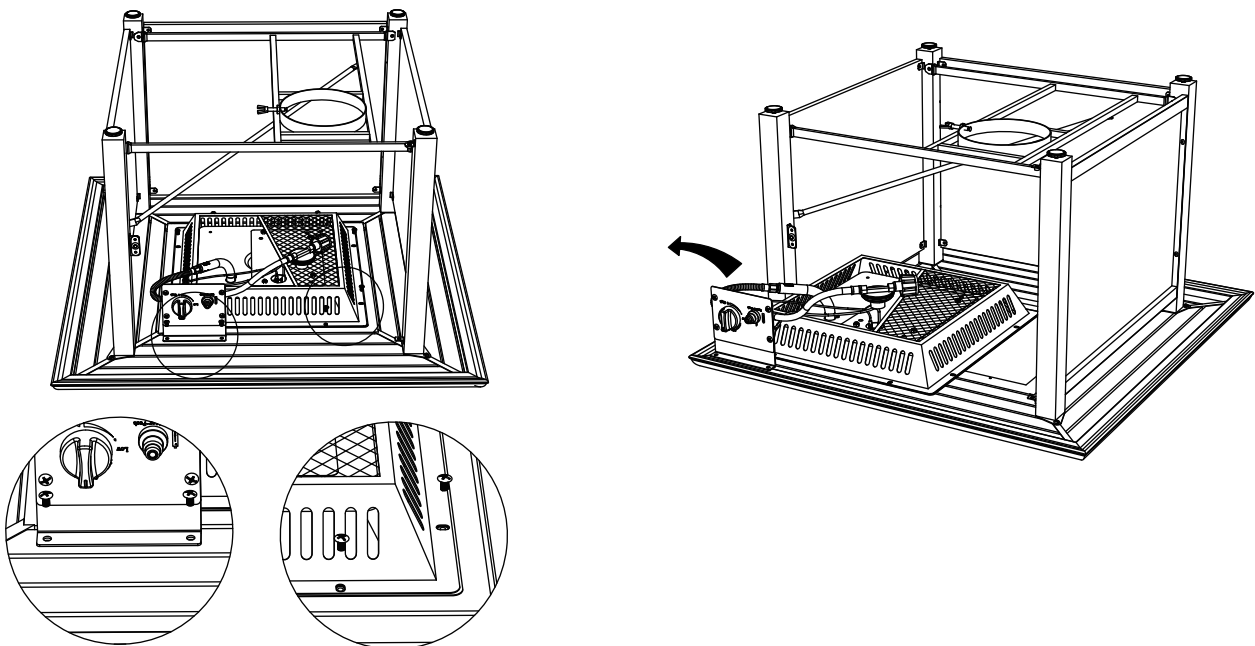
Burner Replacement Guide

Below replacement will require 10-20 minutes. If you have any difficulties with these instructions, please consult with a professional for replacement. Follow the product manual and conduct leak test found on page 14 after replacement and before initial use.

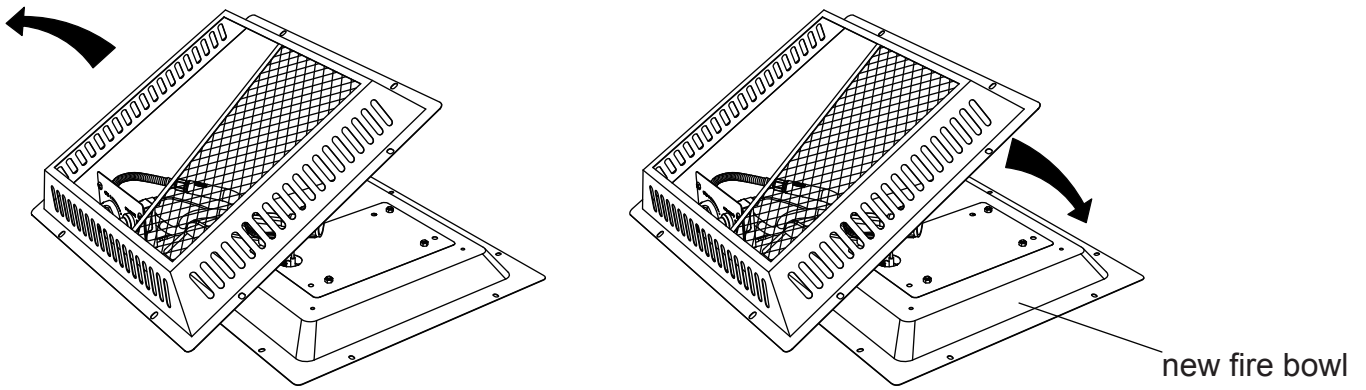
Step 1: Remove all flame glass from the stainless steel bowl. Next remove propane tank from storage area. Then turn over the fire pit, remove door panel by loosening the screw that hold it in the leg (save screw).



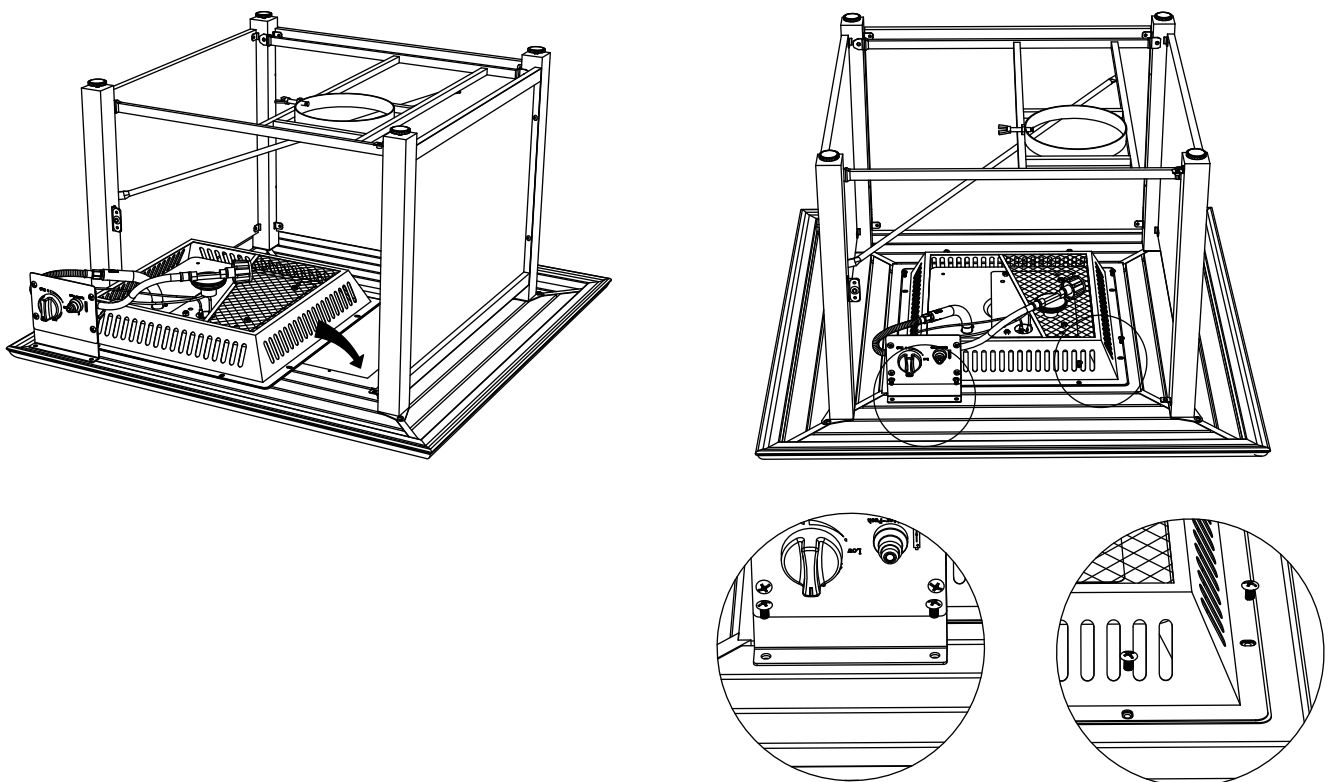
Step 2: Remove control panel by loosening the two screws that hold it in table top (save screws). Remove the fire bowl and heat resistant mesh by loosening the four screws that hold it in table top (save screws).



Step 3: Replace with new fire bowl.



Step 4: Re-connect the new fire bowl and heat resistant mesh to table top by using four screws, connect control panel to table top by using two screws. Tighten all six screws after all holes align.



Step 5: Connect door panel to leg I, then replacement is completed.