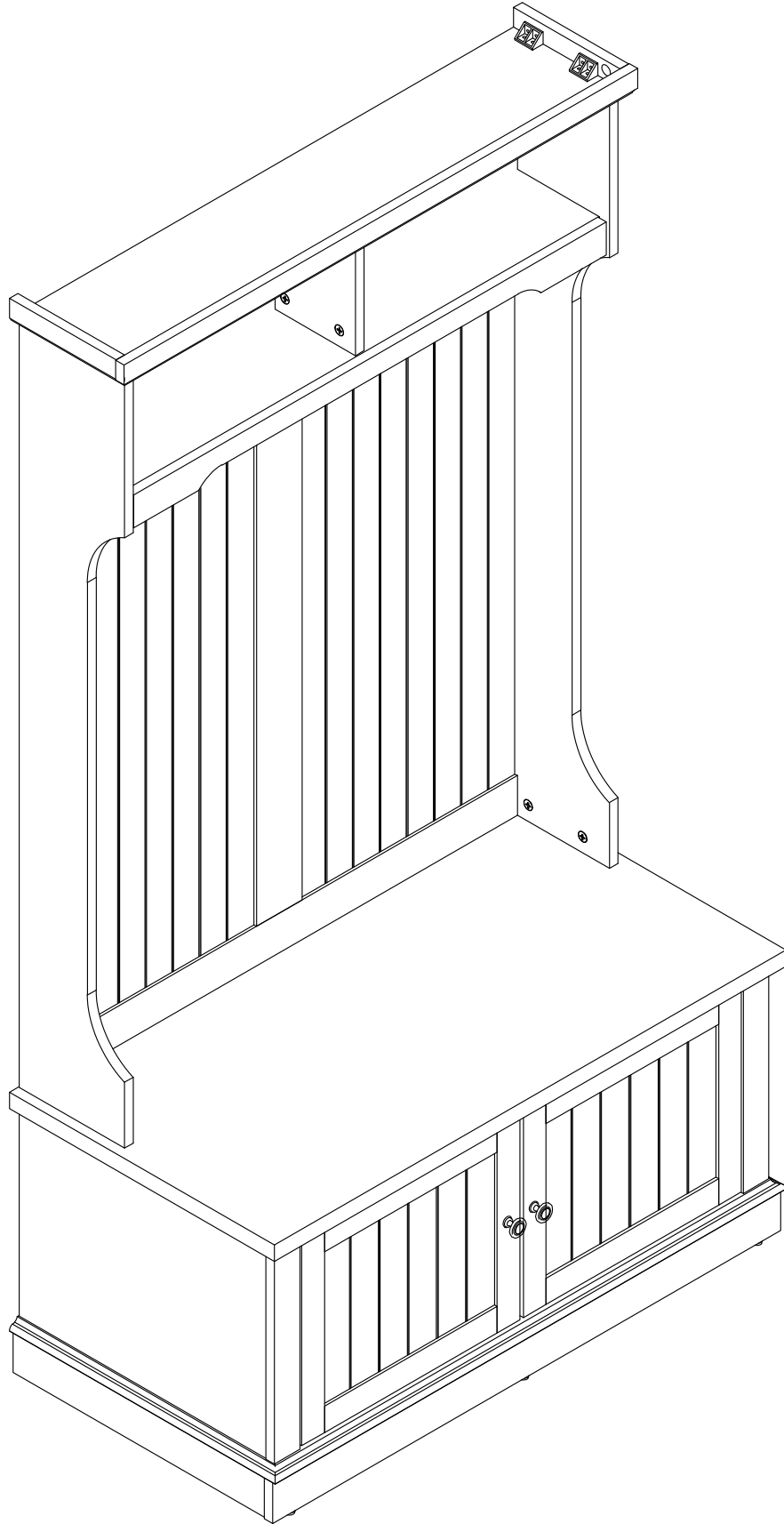
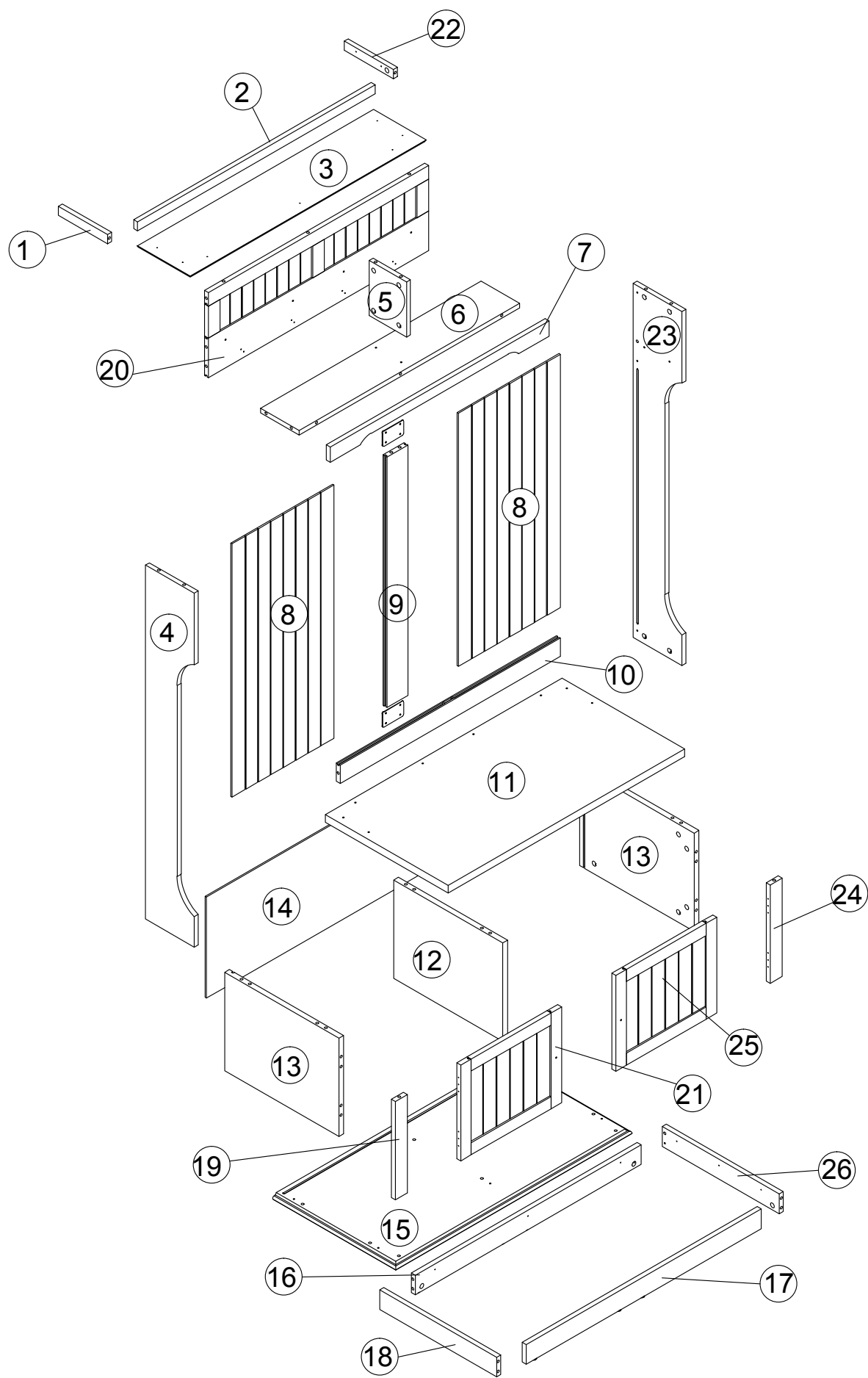


Assembly Instructions





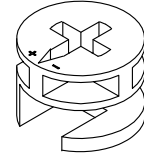
×58



(A)

33mm

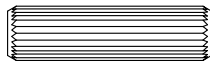
×58



(B)

Ø15*10mm

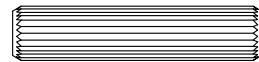
×26



(C)

Ø8*30mm

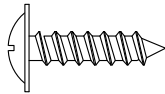
×4



(D)

Ø8*40mm

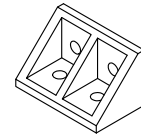
×88



(E)

Ø3.5*14mm

×19



(F)

32*19*19mm

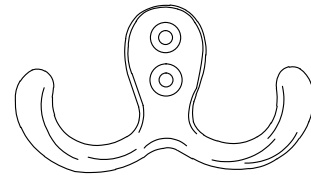
×8



(G)

Ø4*12mm

×4



(H)

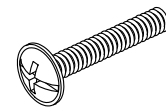
×2



(L)

Ø32*25mm

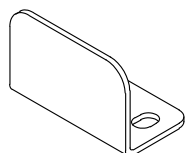
×2



(M)

M4*22mm

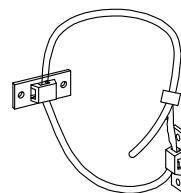
×2



(N)

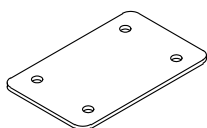
30*18*17mm

×1



(P)

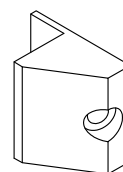
×2



(Q)

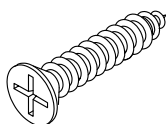
80*50*2mm

×12



(R)

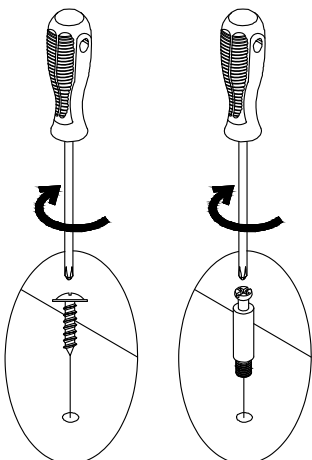
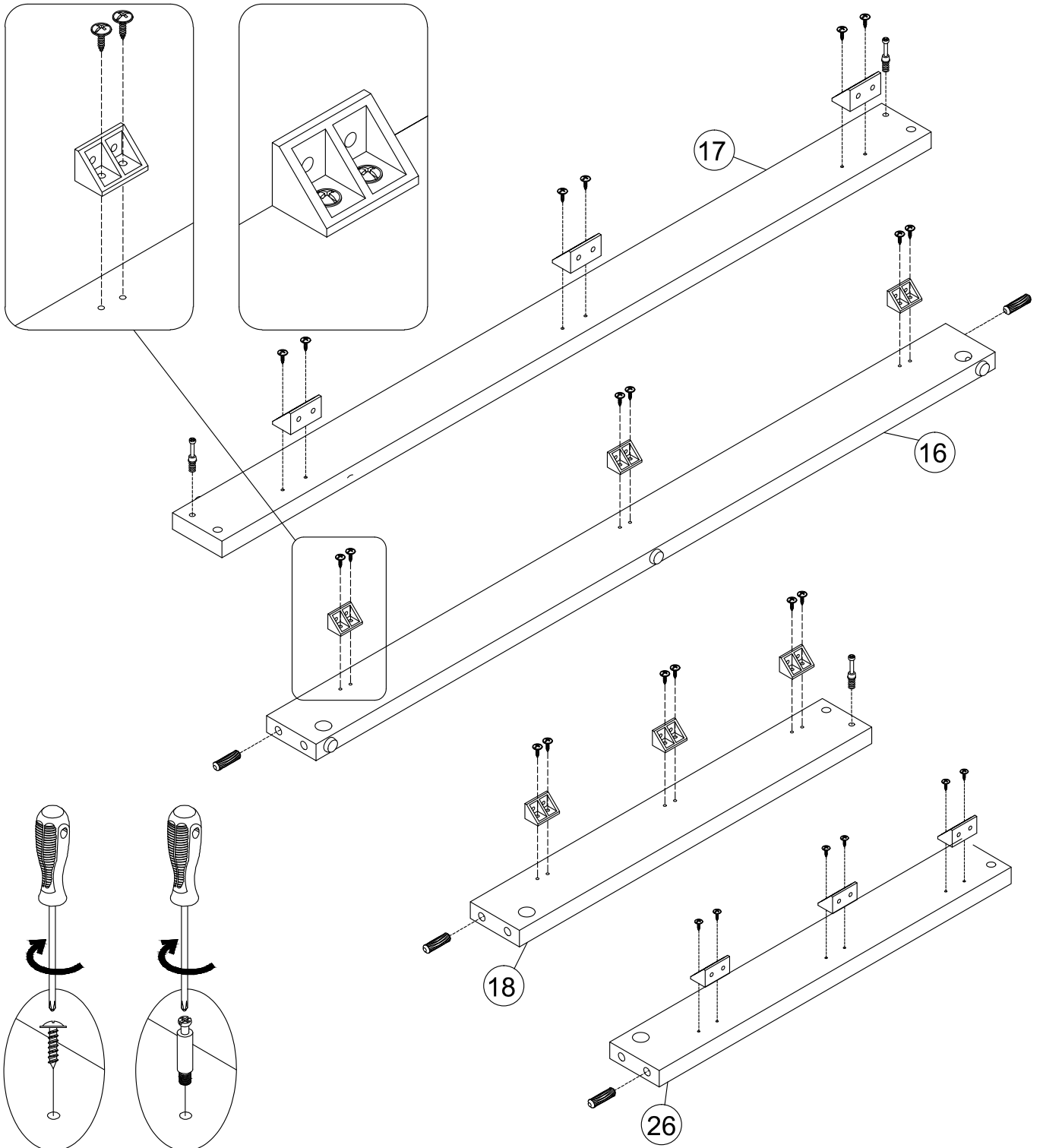
×12



(S)

Ø3*17mm

1

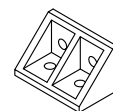


A



[x4]

F



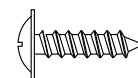
[x12]

C



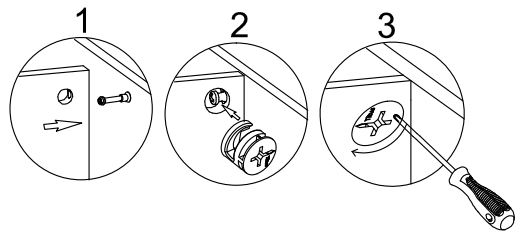
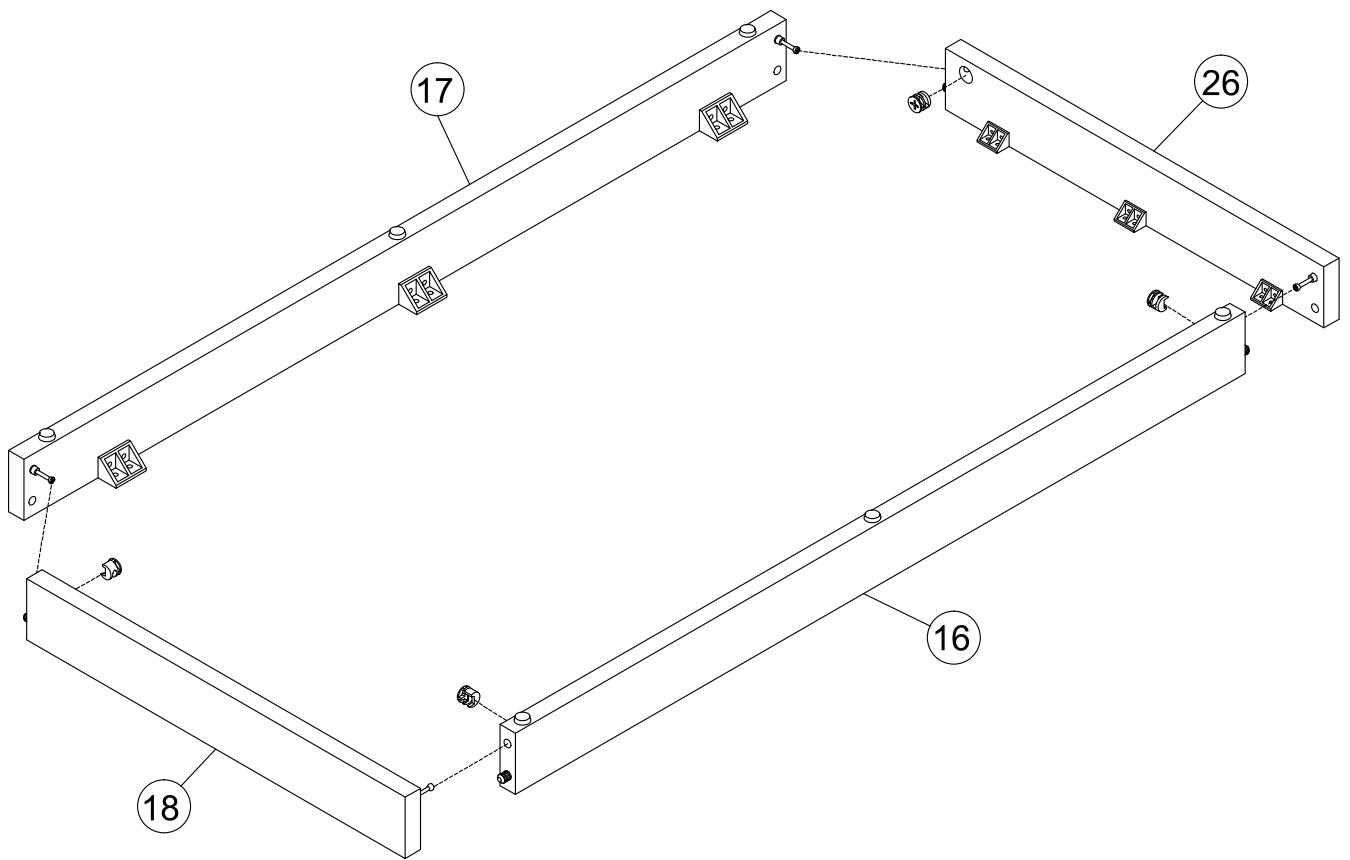
[x4]

E

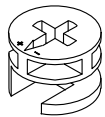


[x24]

2

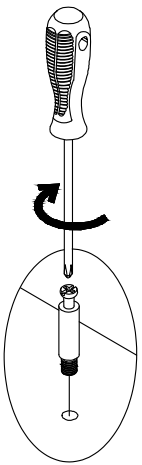
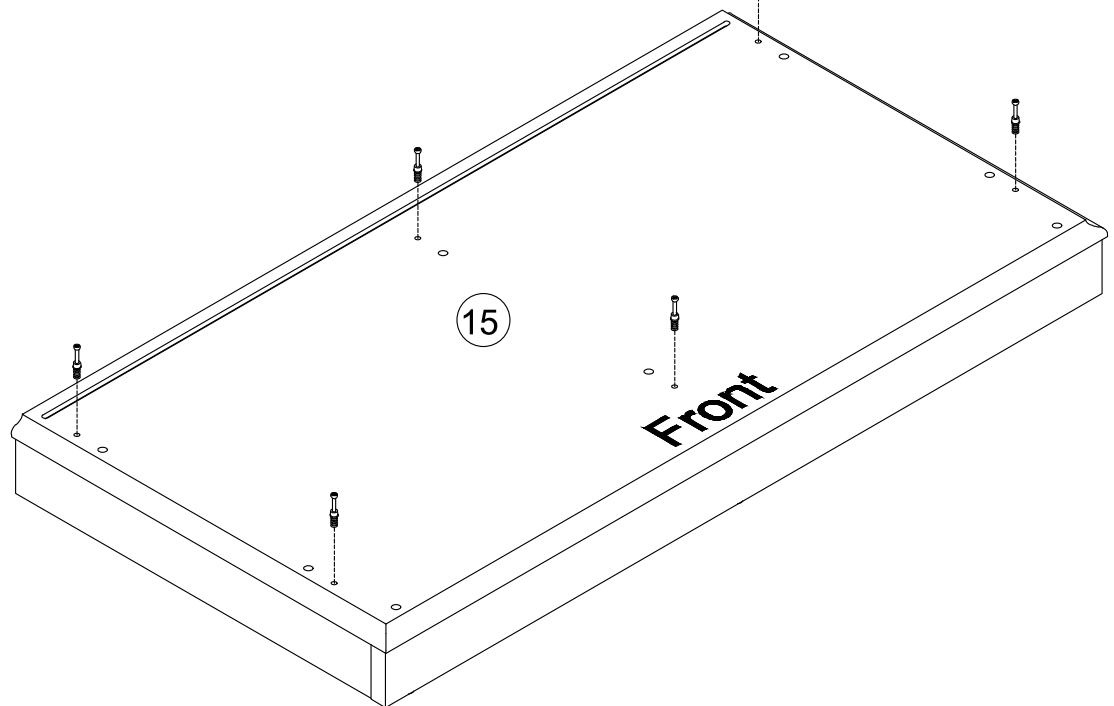
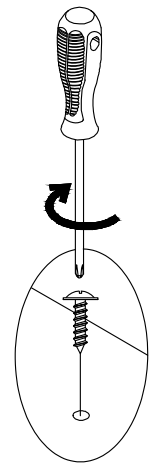
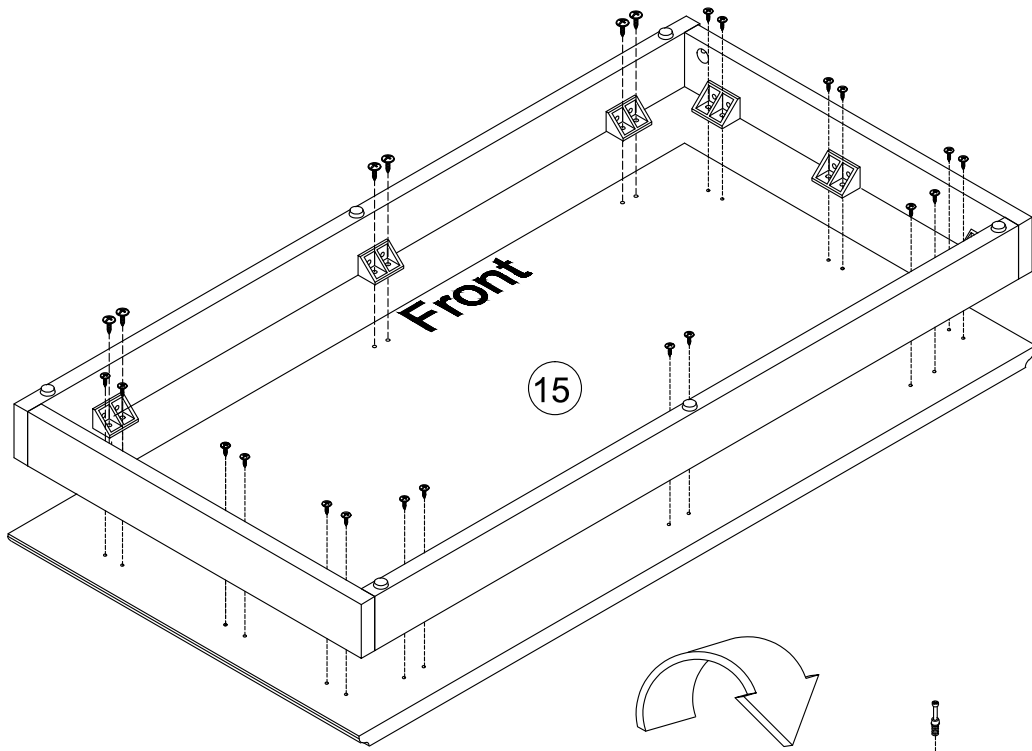


B

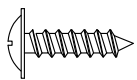


[x4]

3



E



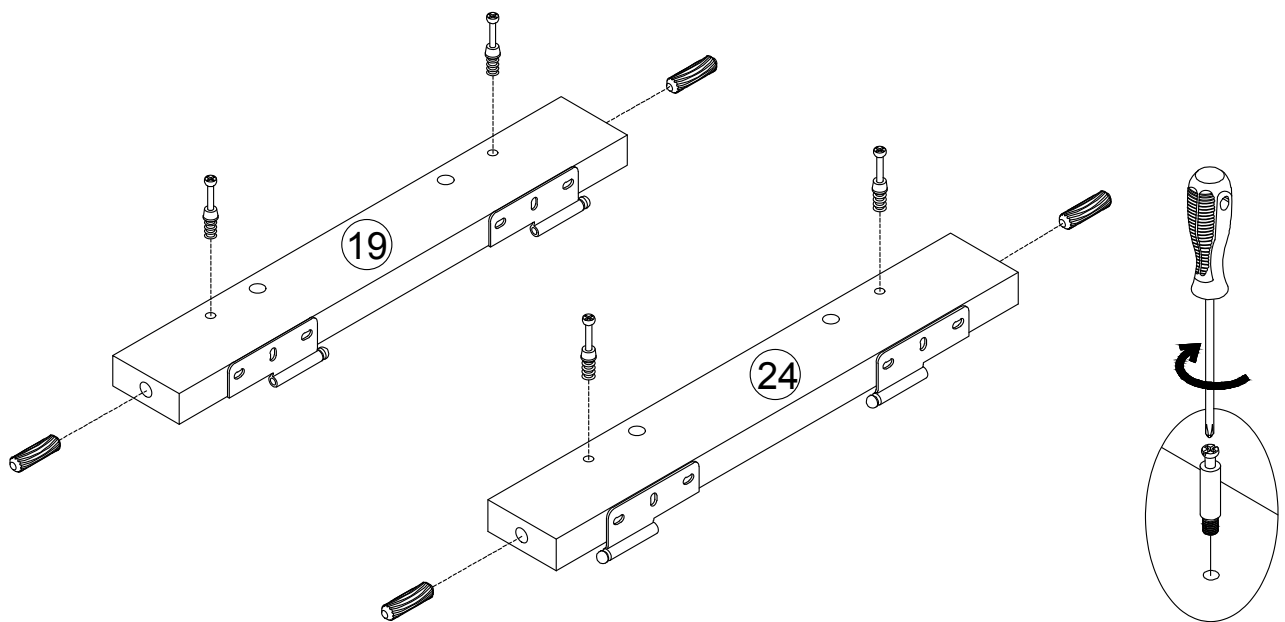
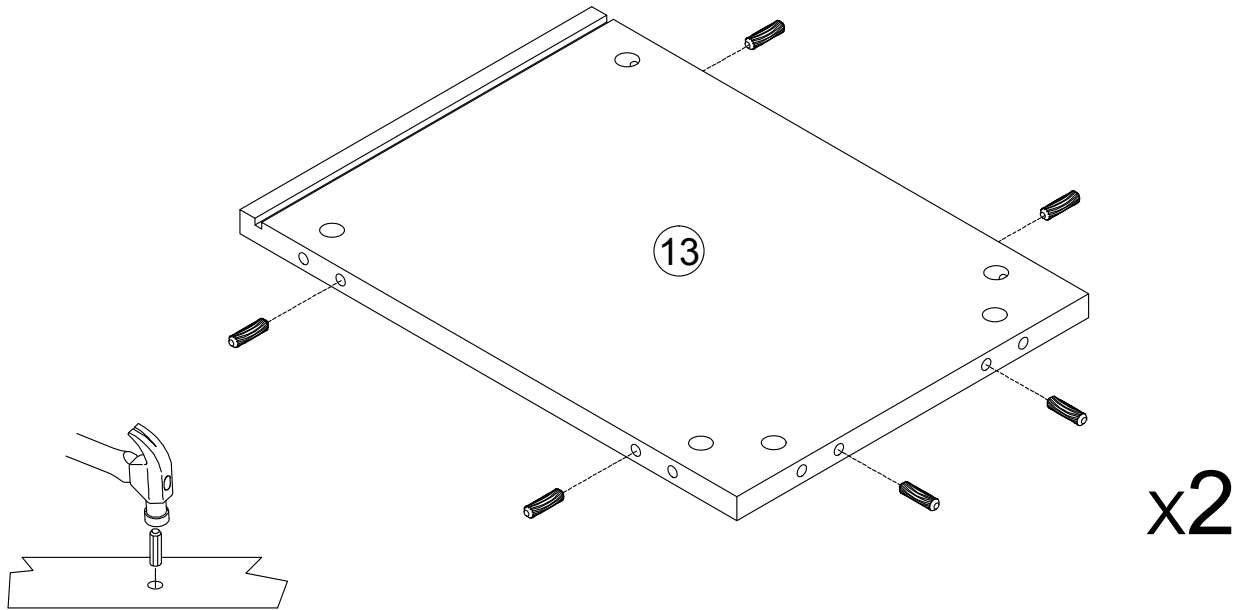
[x24]

A



[x6]

4



A



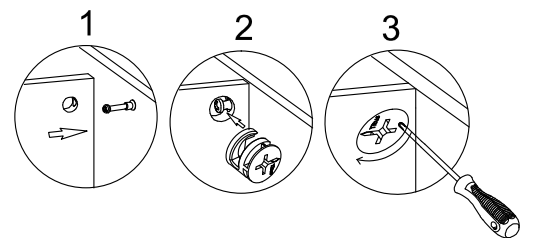
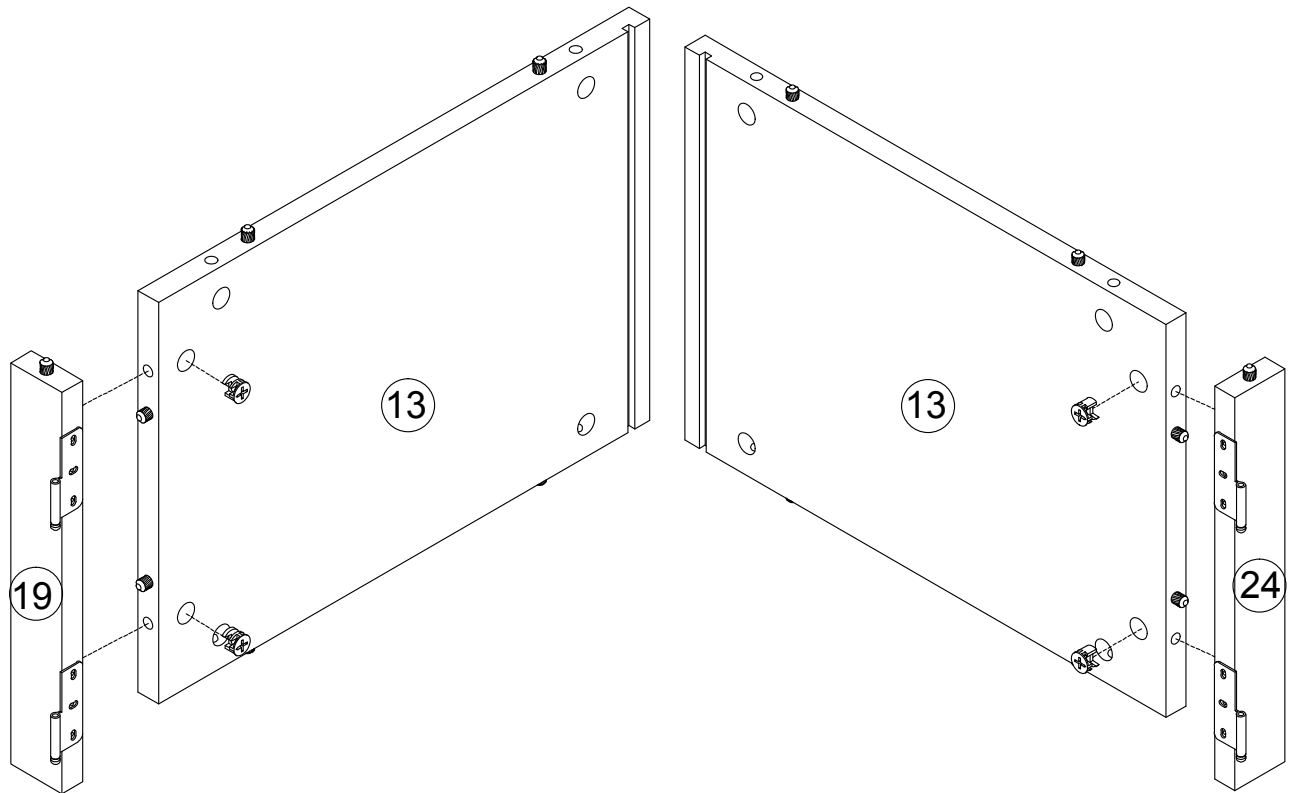
[x4]

C

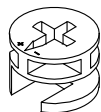


[x16]

5

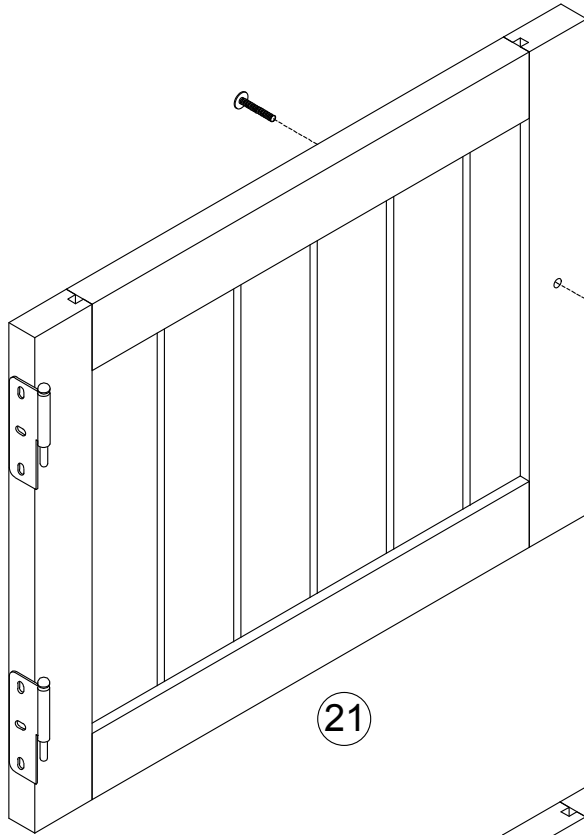


B

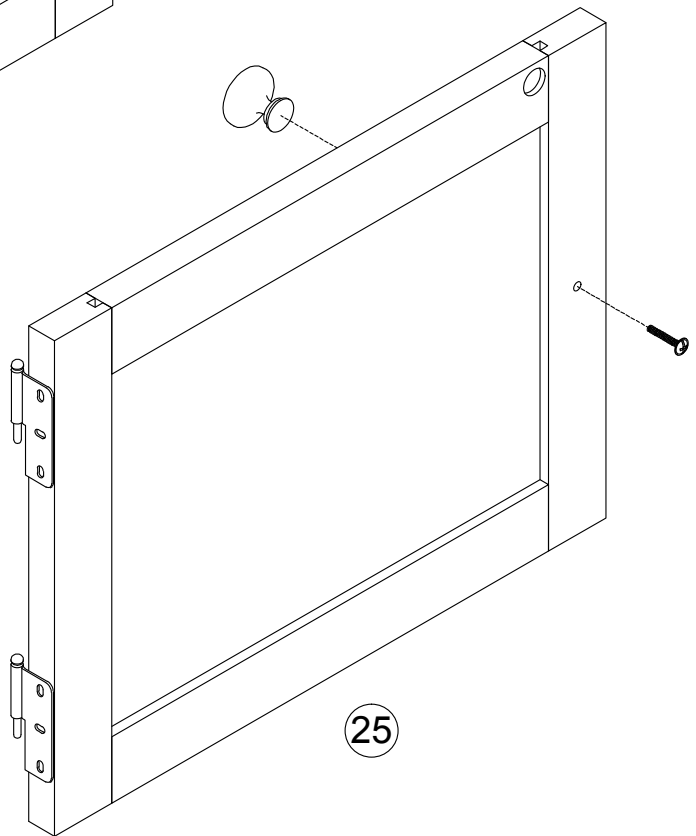


[x4]

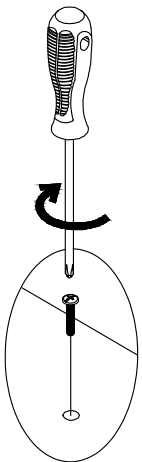
6



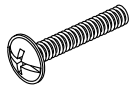
21



25



M



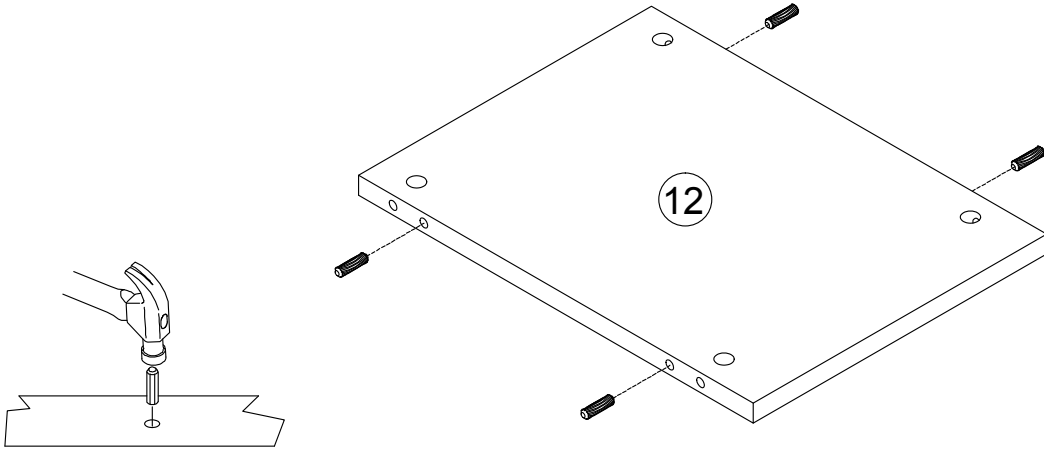
[x2]

L

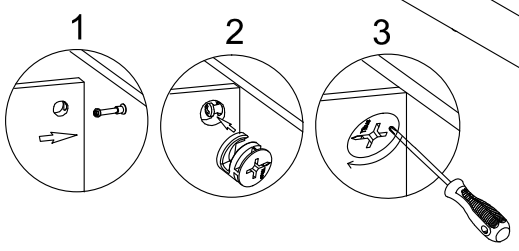
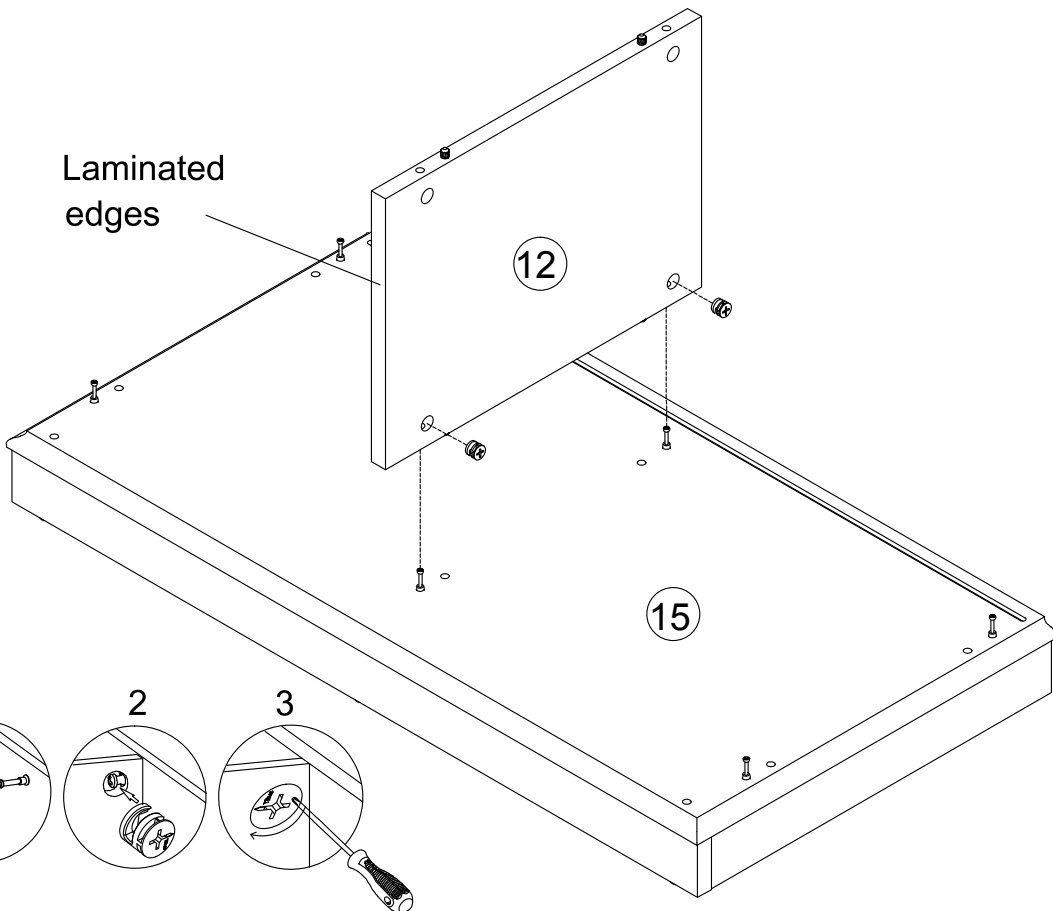


[x2]

7



Laminated edges

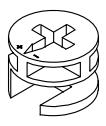


C



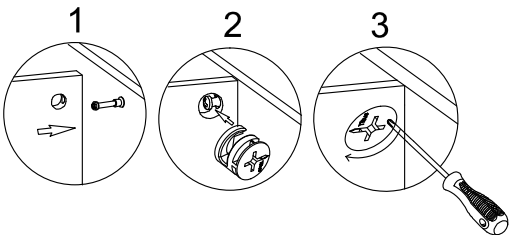
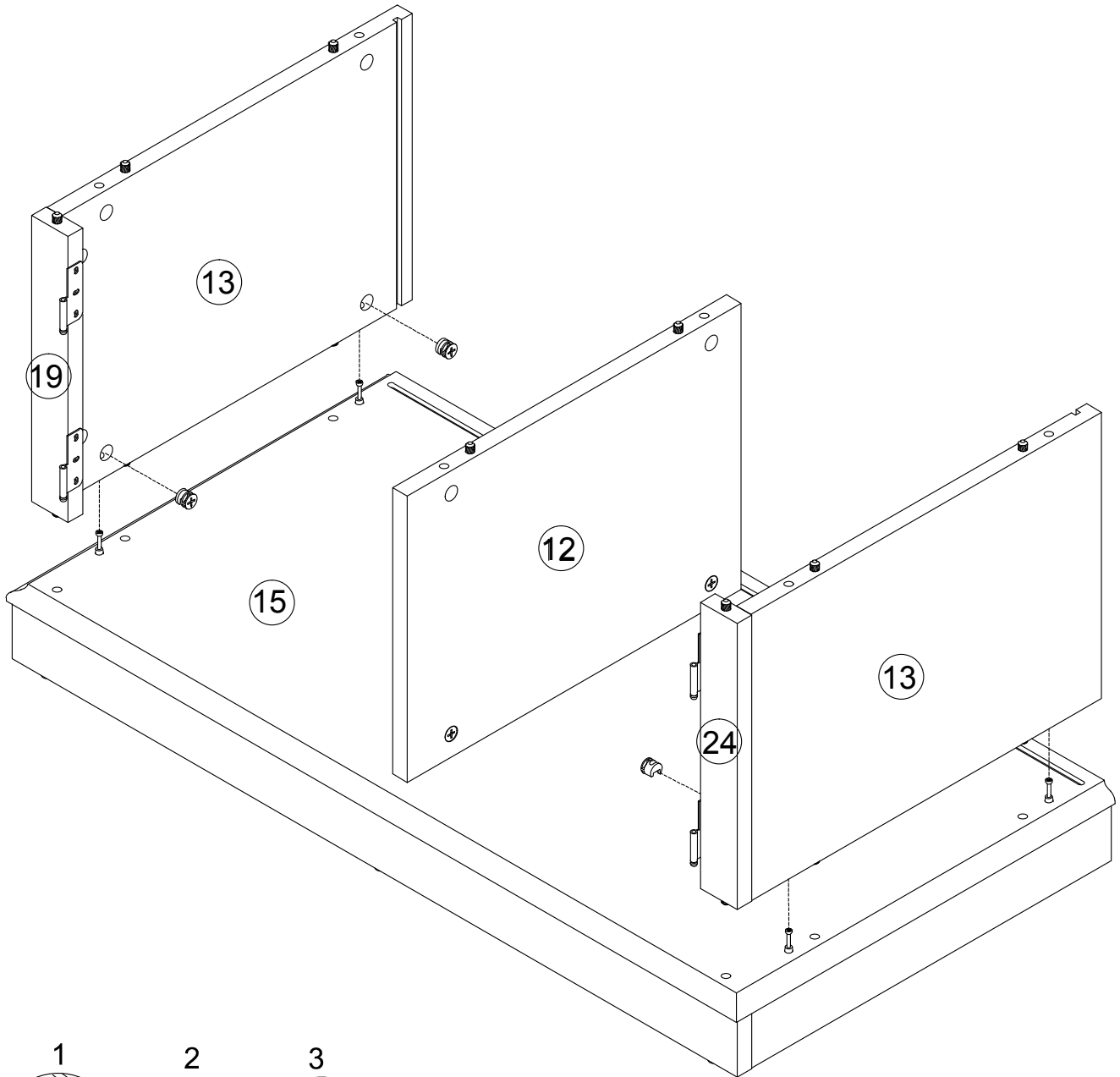
[x4]

B

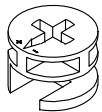


[x2]

8

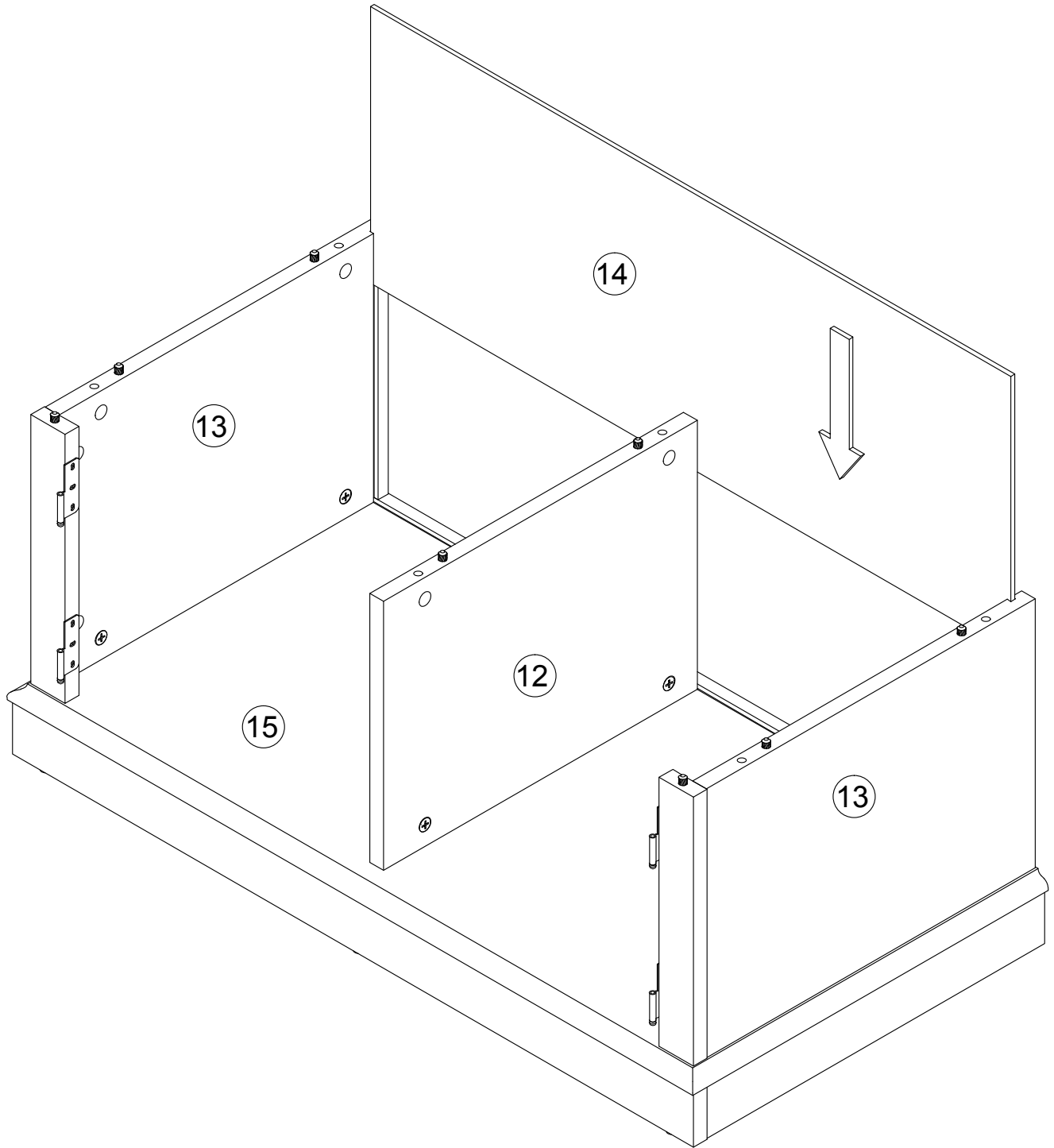


B

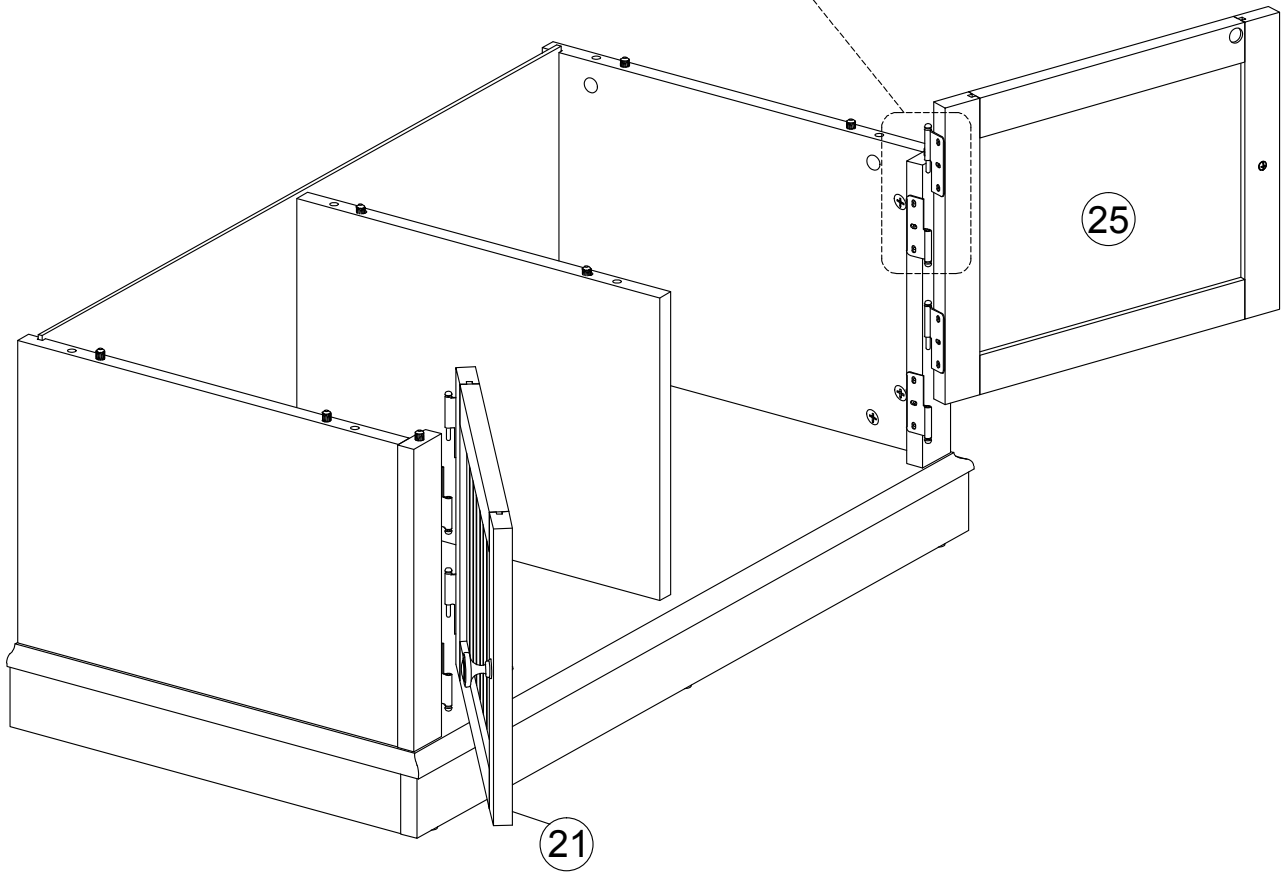
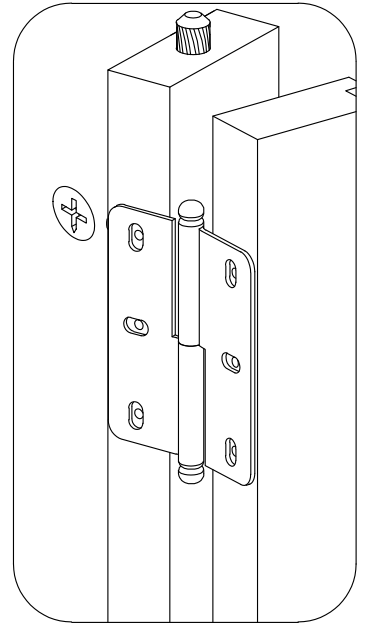
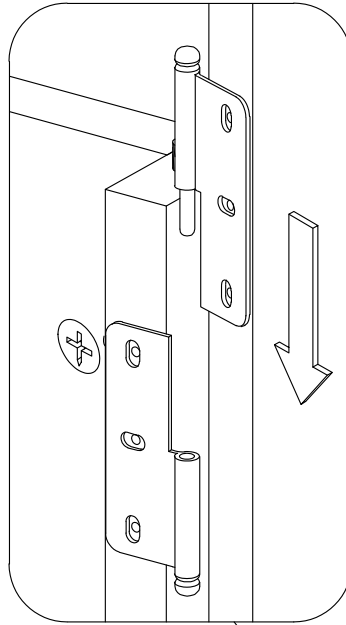


[x4]

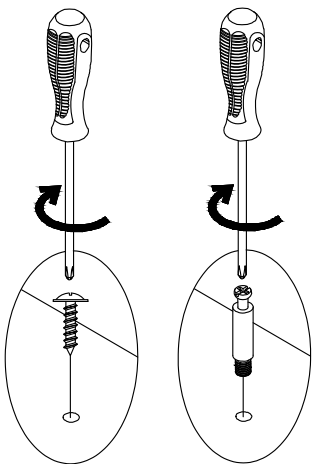
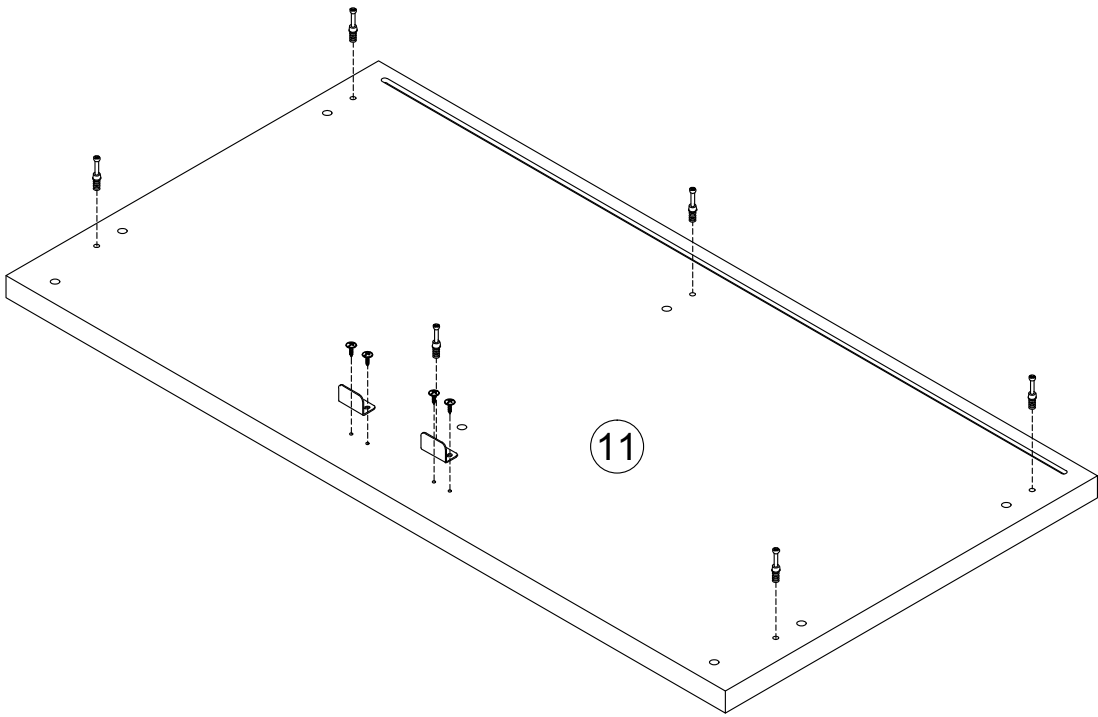
9



10



11

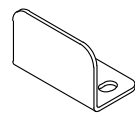


A



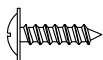
[x6]

N



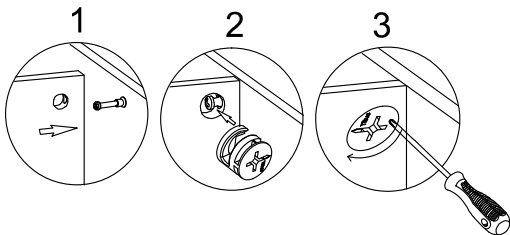
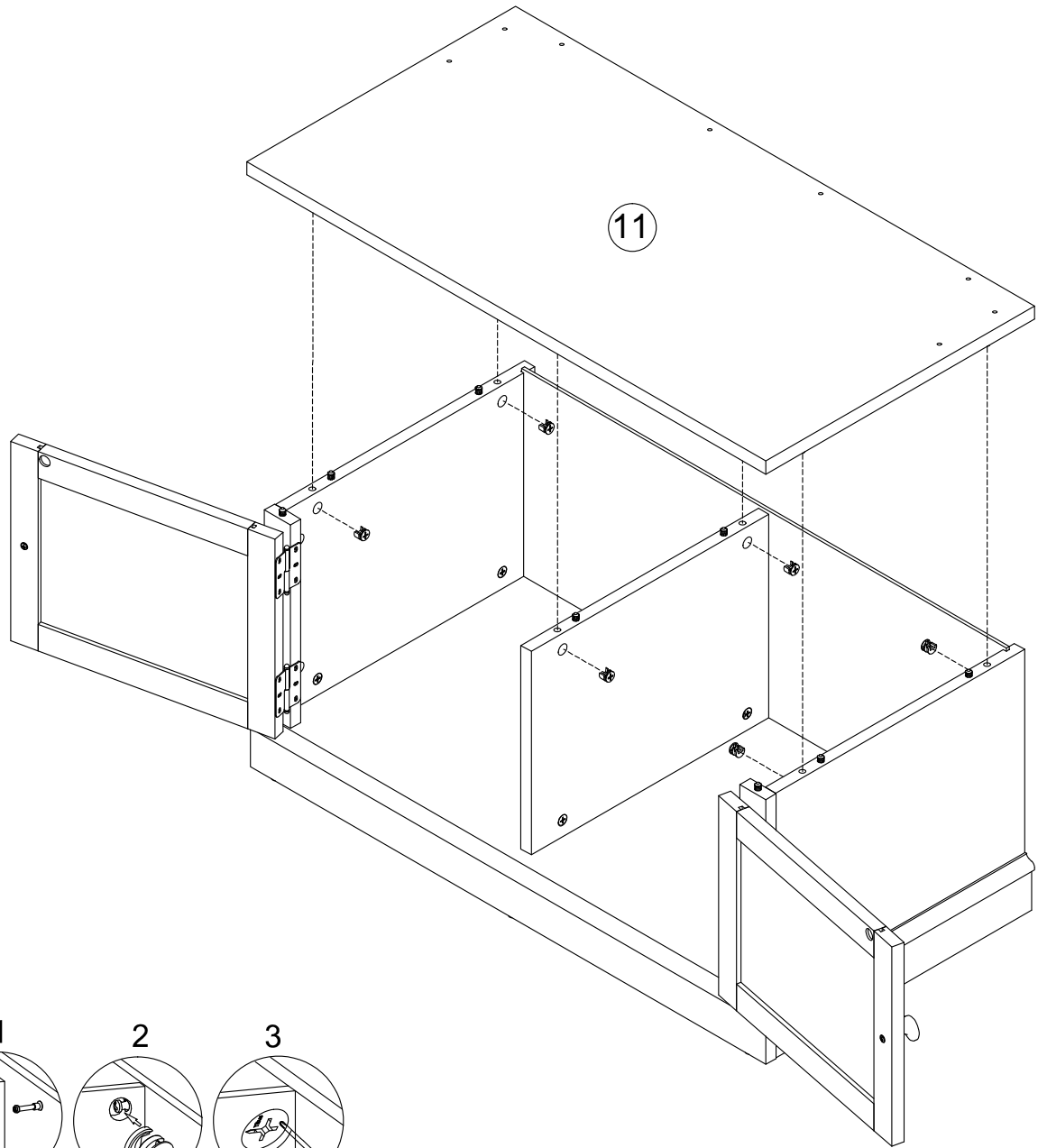
[x2]

E

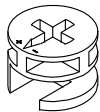


[x4]

12

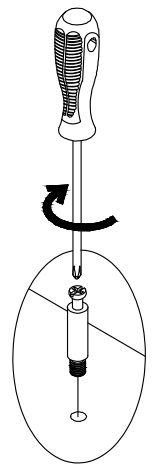
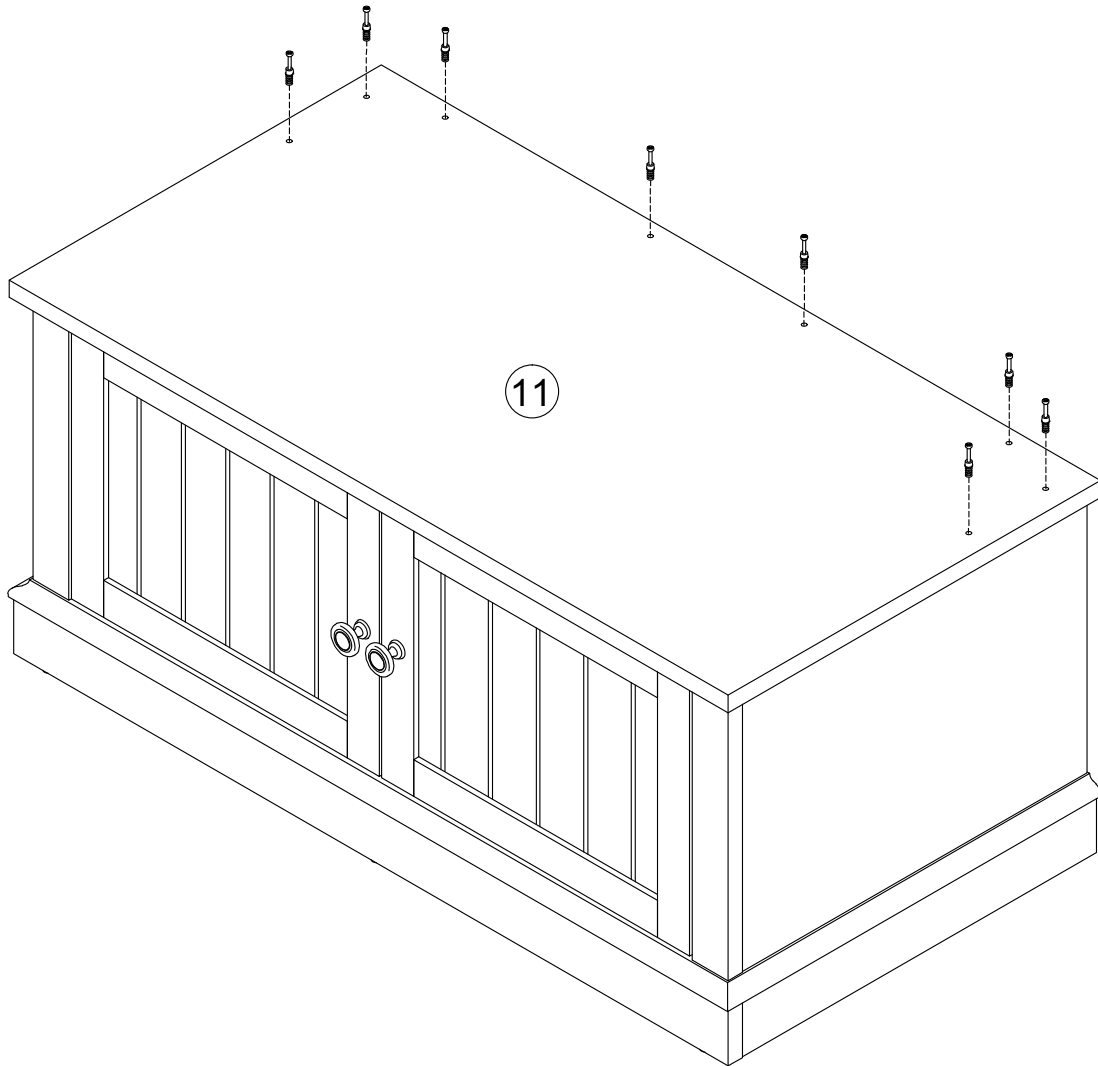


B



[x6]

13

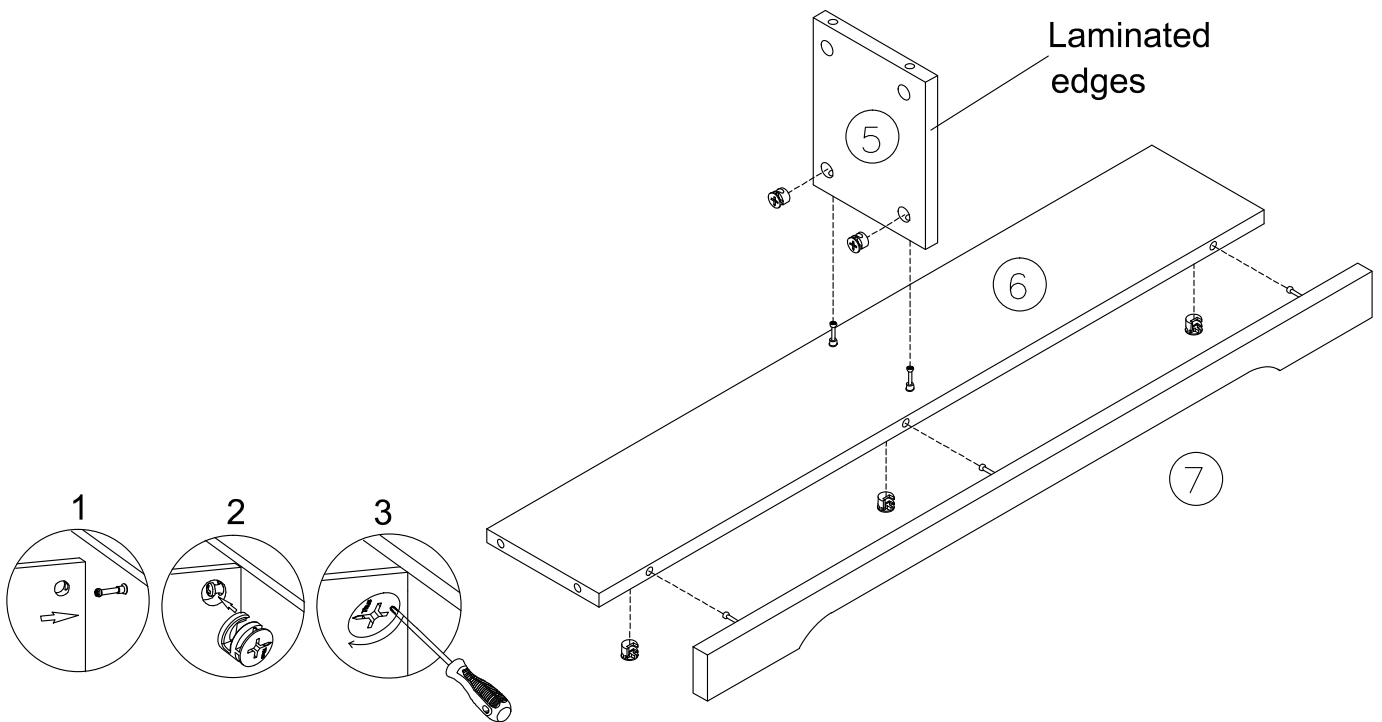
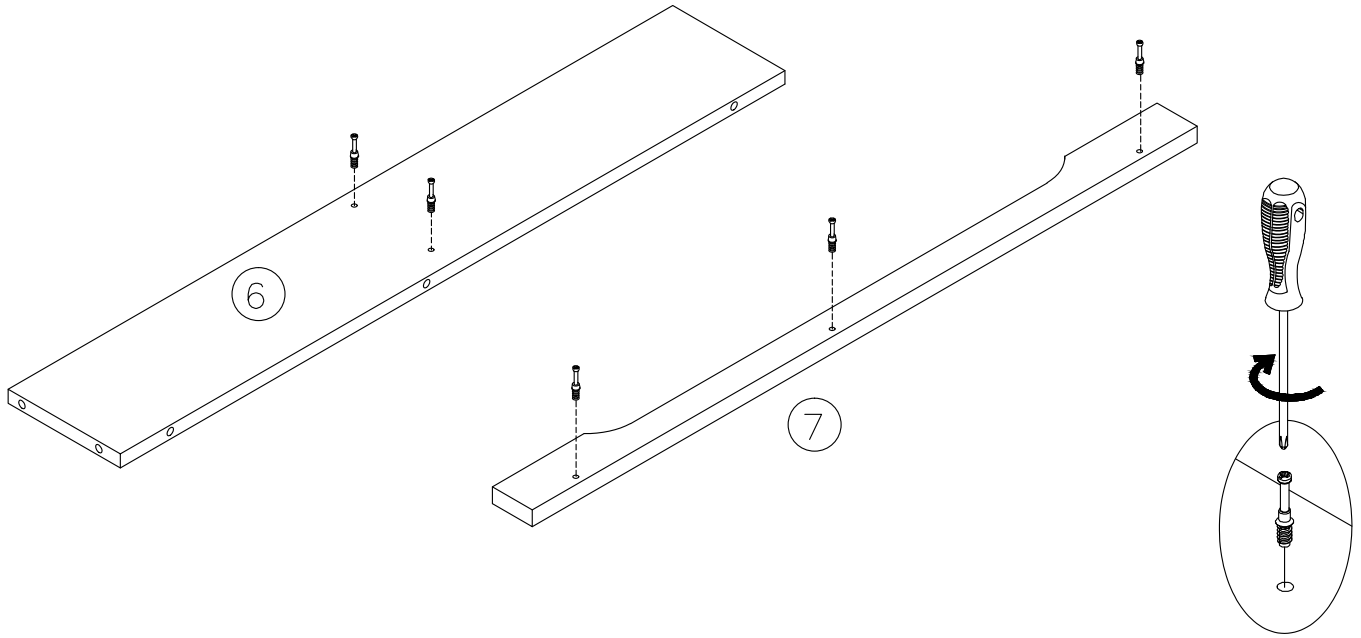


A



[x8]

14

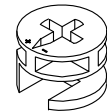


A



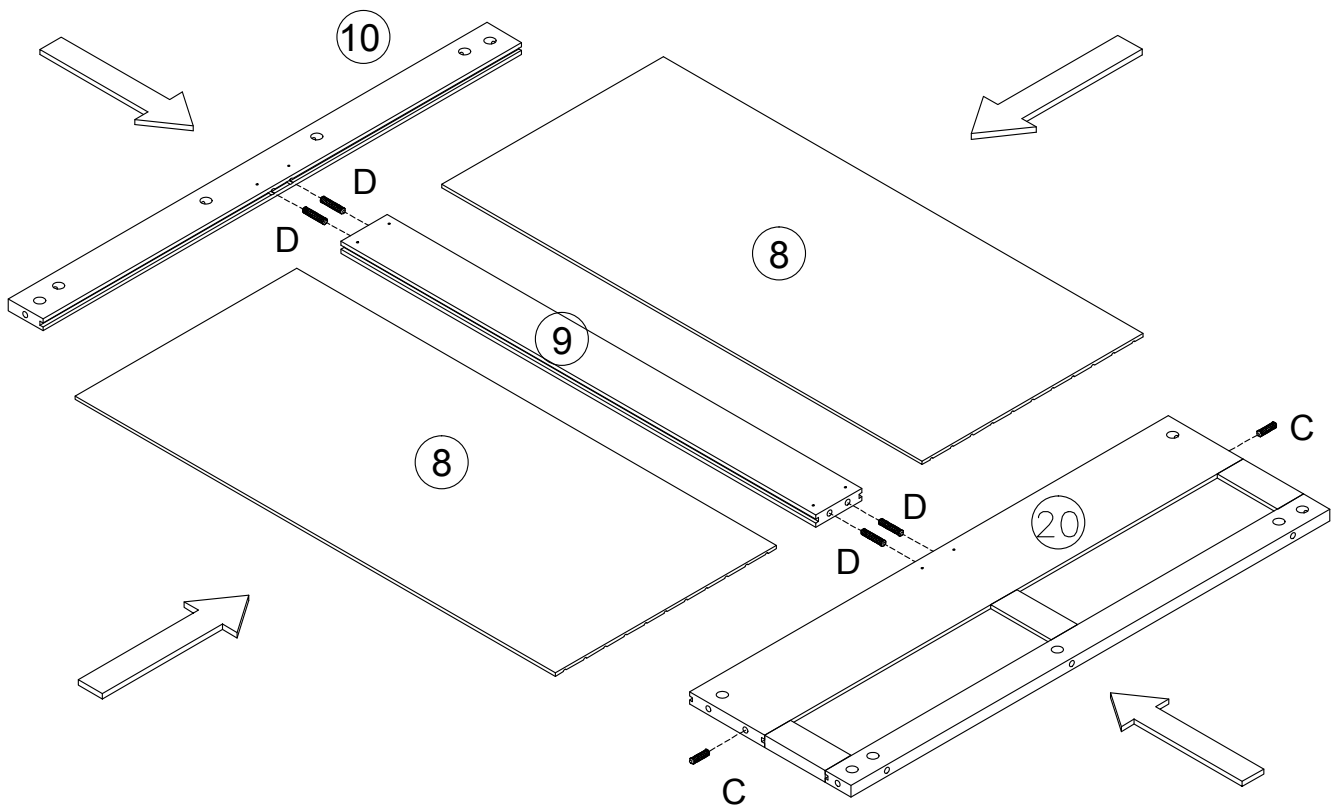
[x5]

B



[x5]

15



C



[*2]

Ø8*30mm

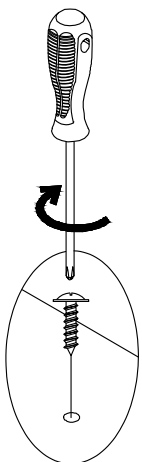
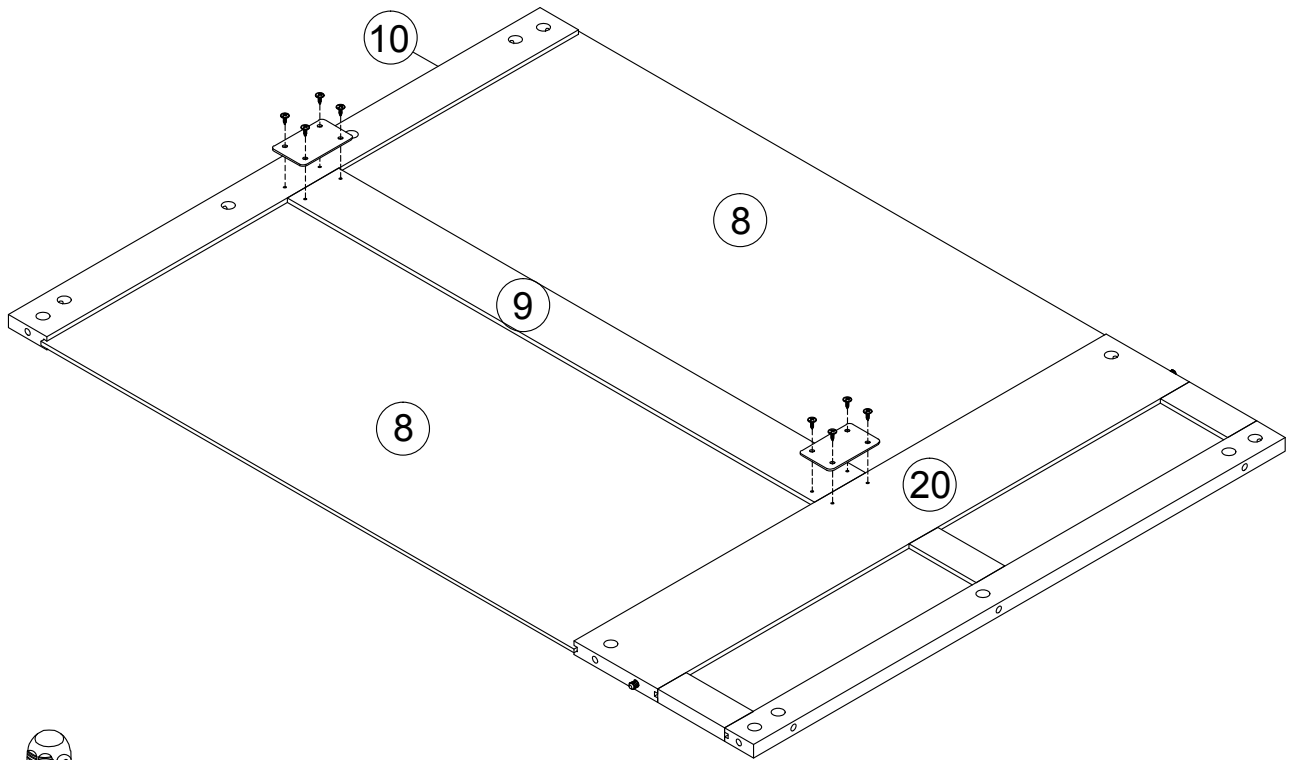
D



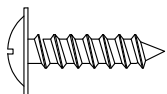
[*4]

Ø8*40mm

16

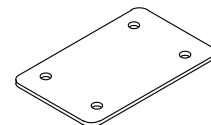


E



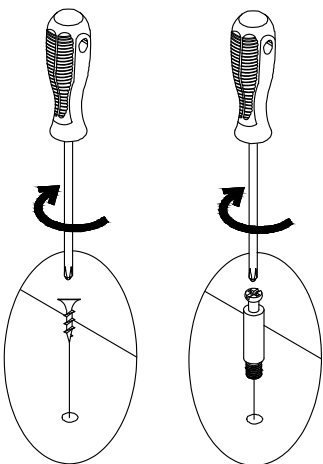
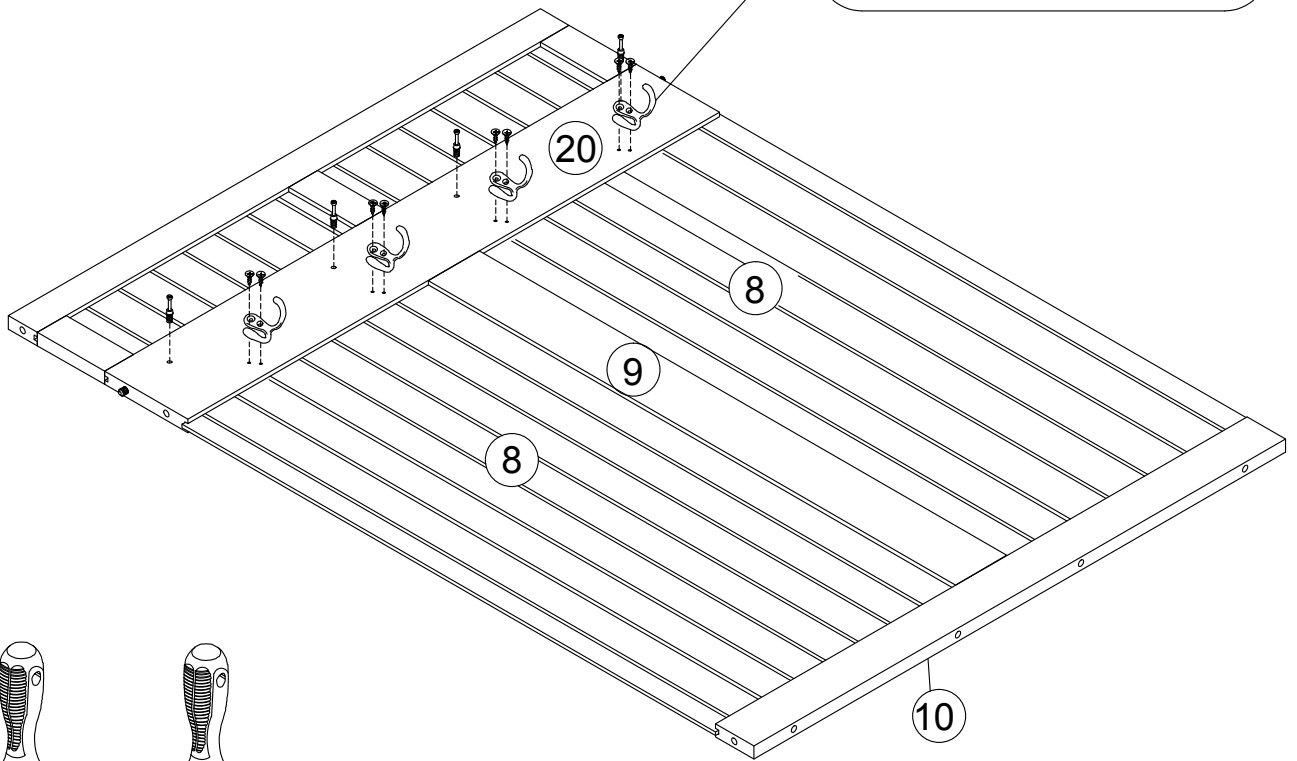
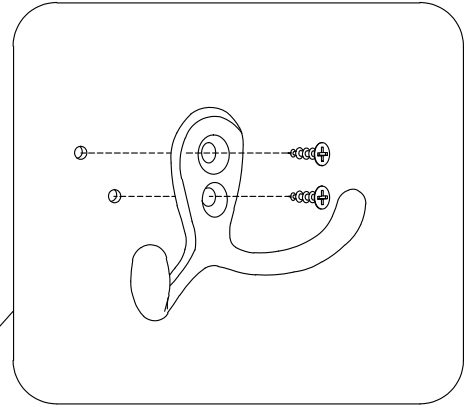
[×8]

Q



[×2]

17



A



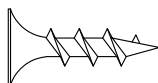
[x4]

H



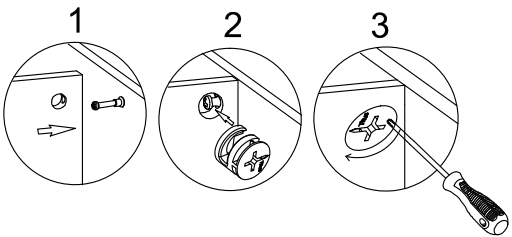
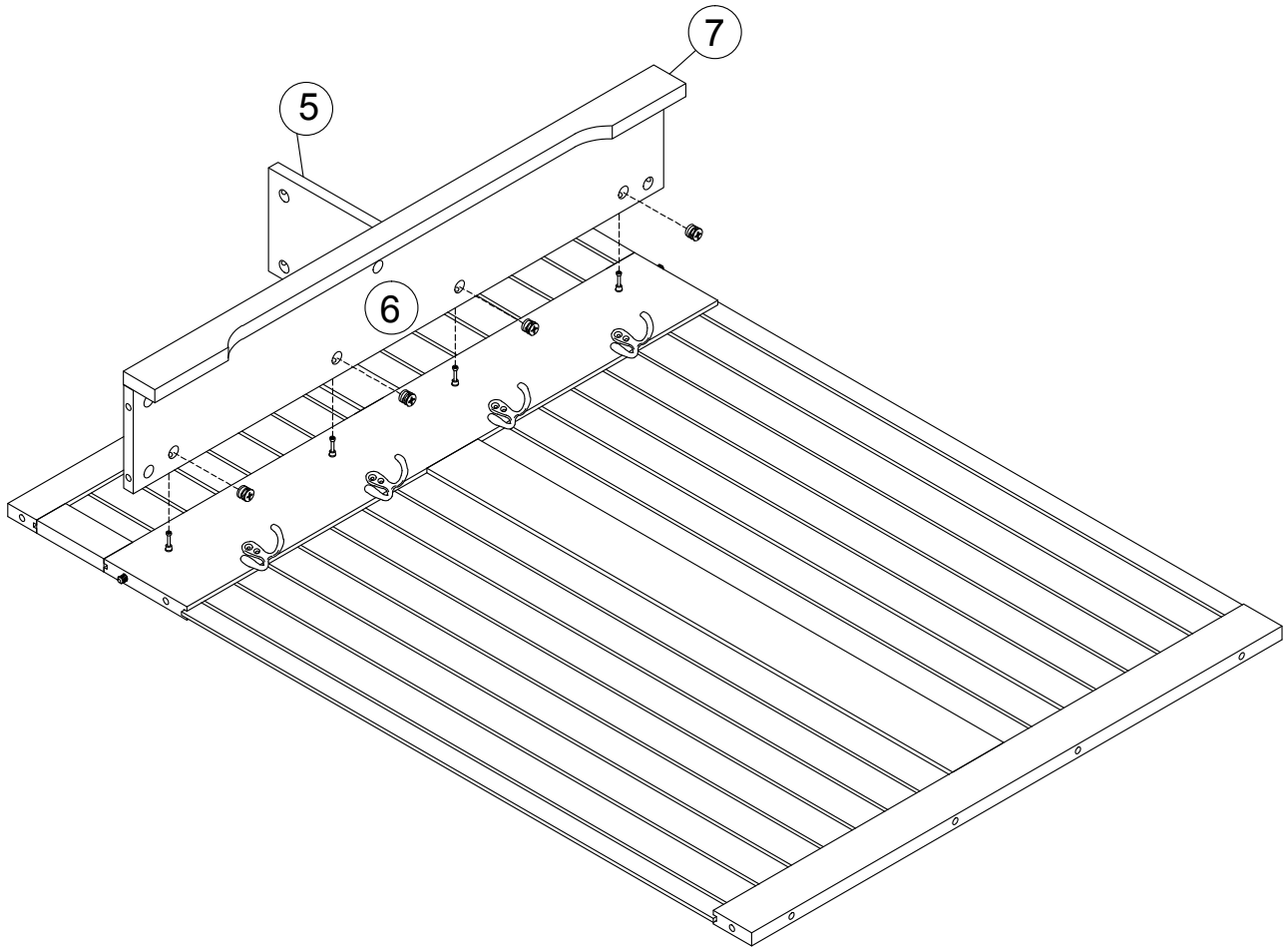
[x4]

G

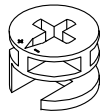


[x8]

18

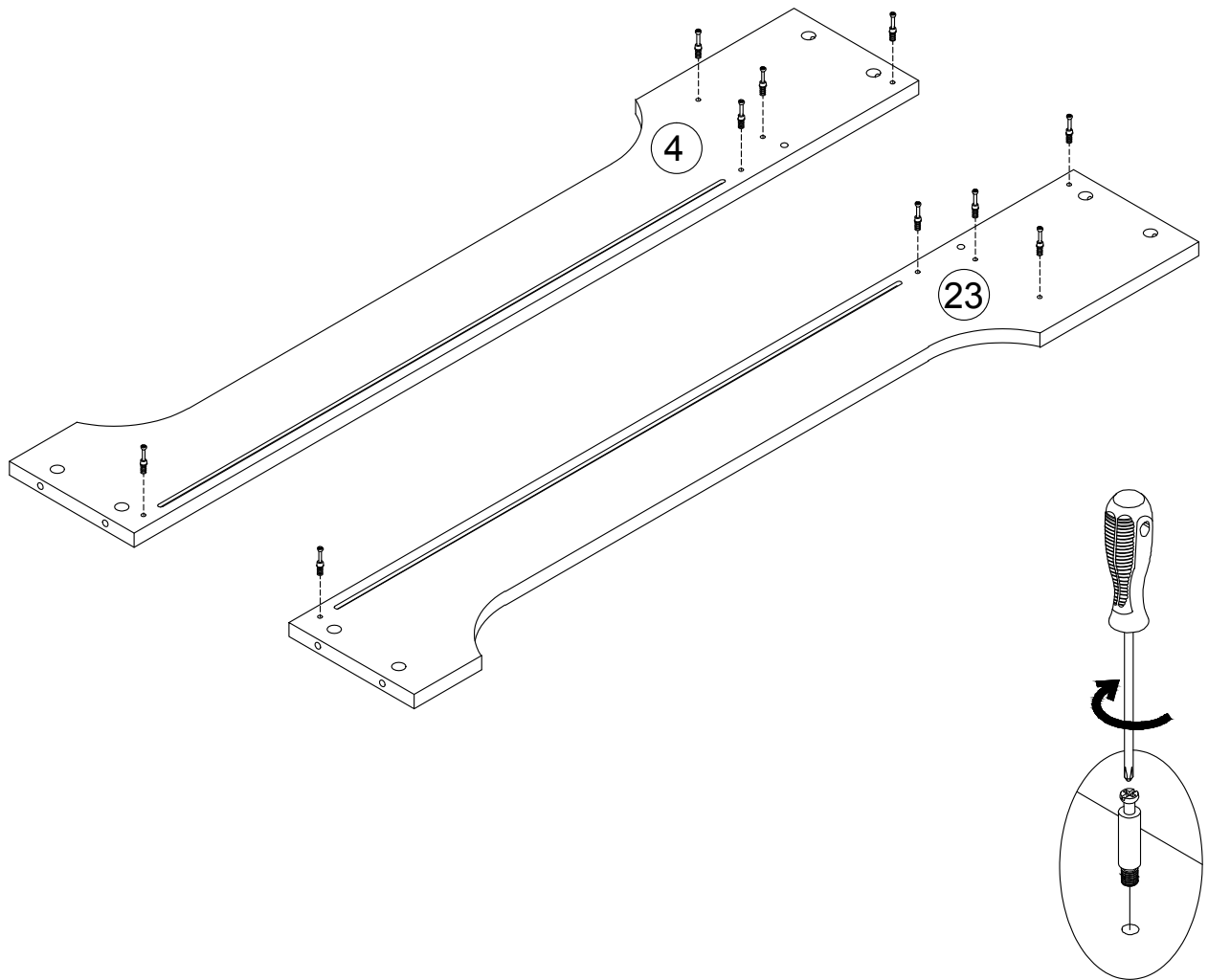


B



[x4]

19

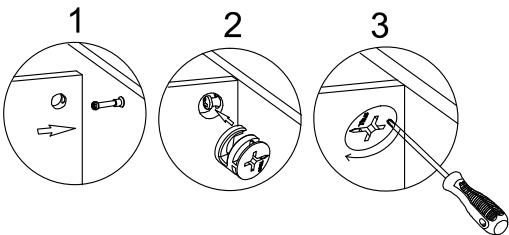
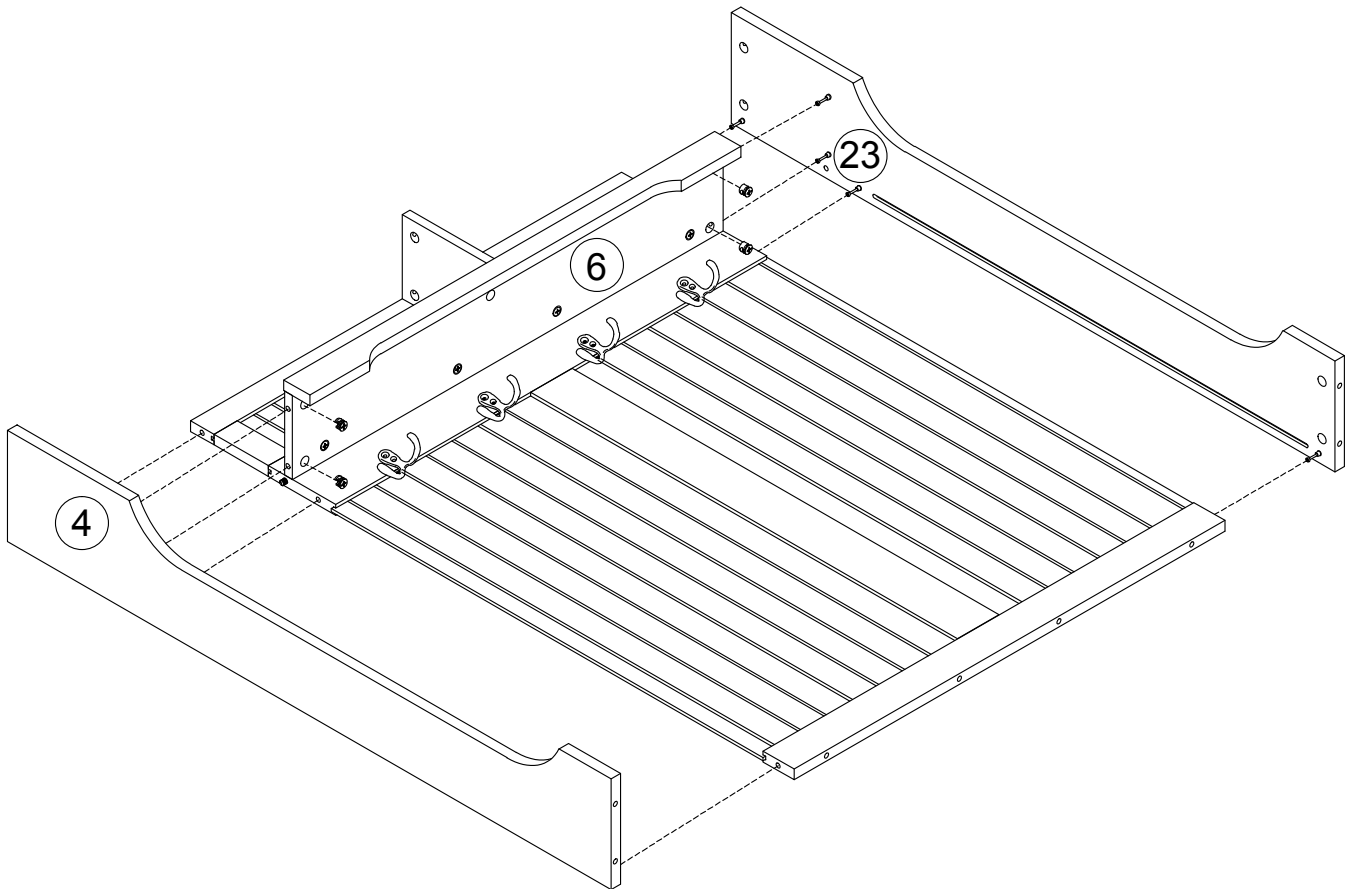


A

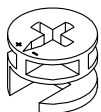


[×10]

20

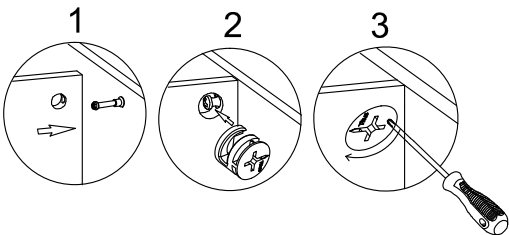
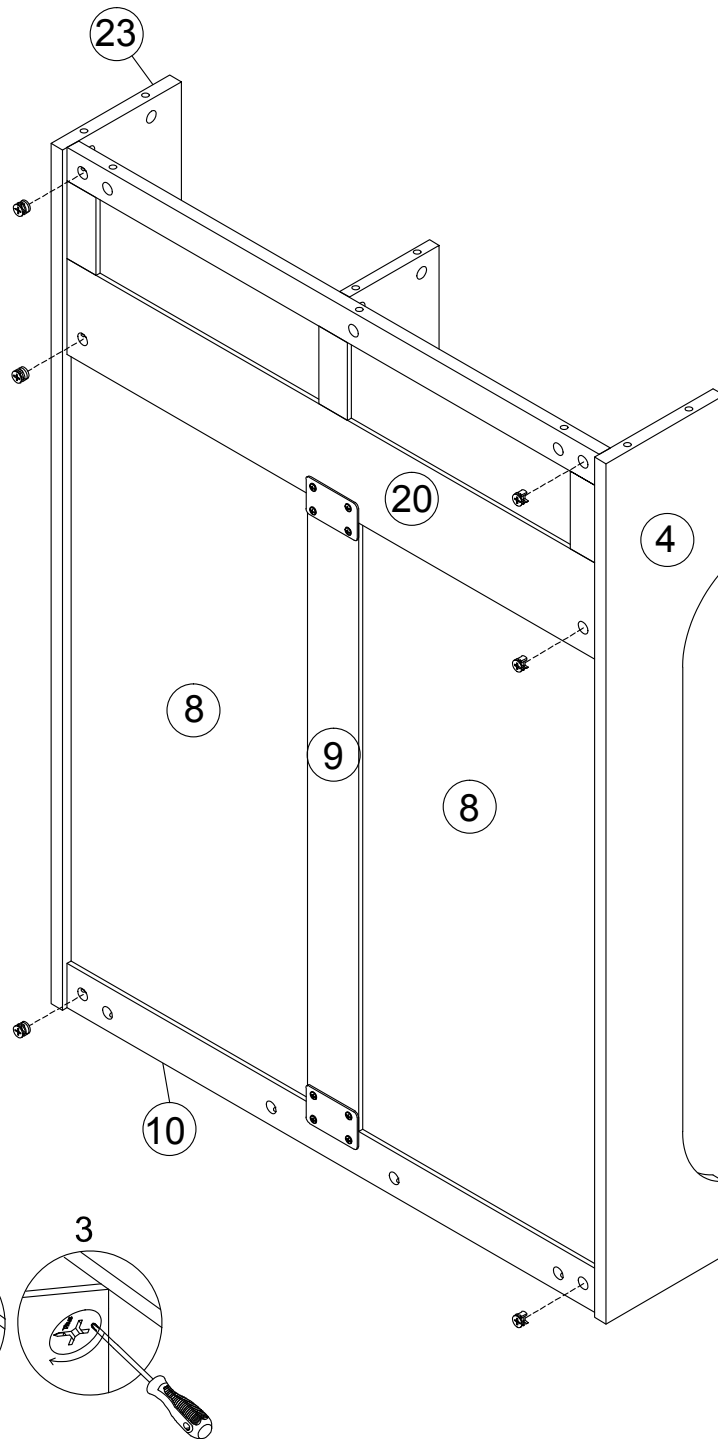


B

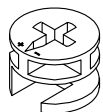


[×4]

21

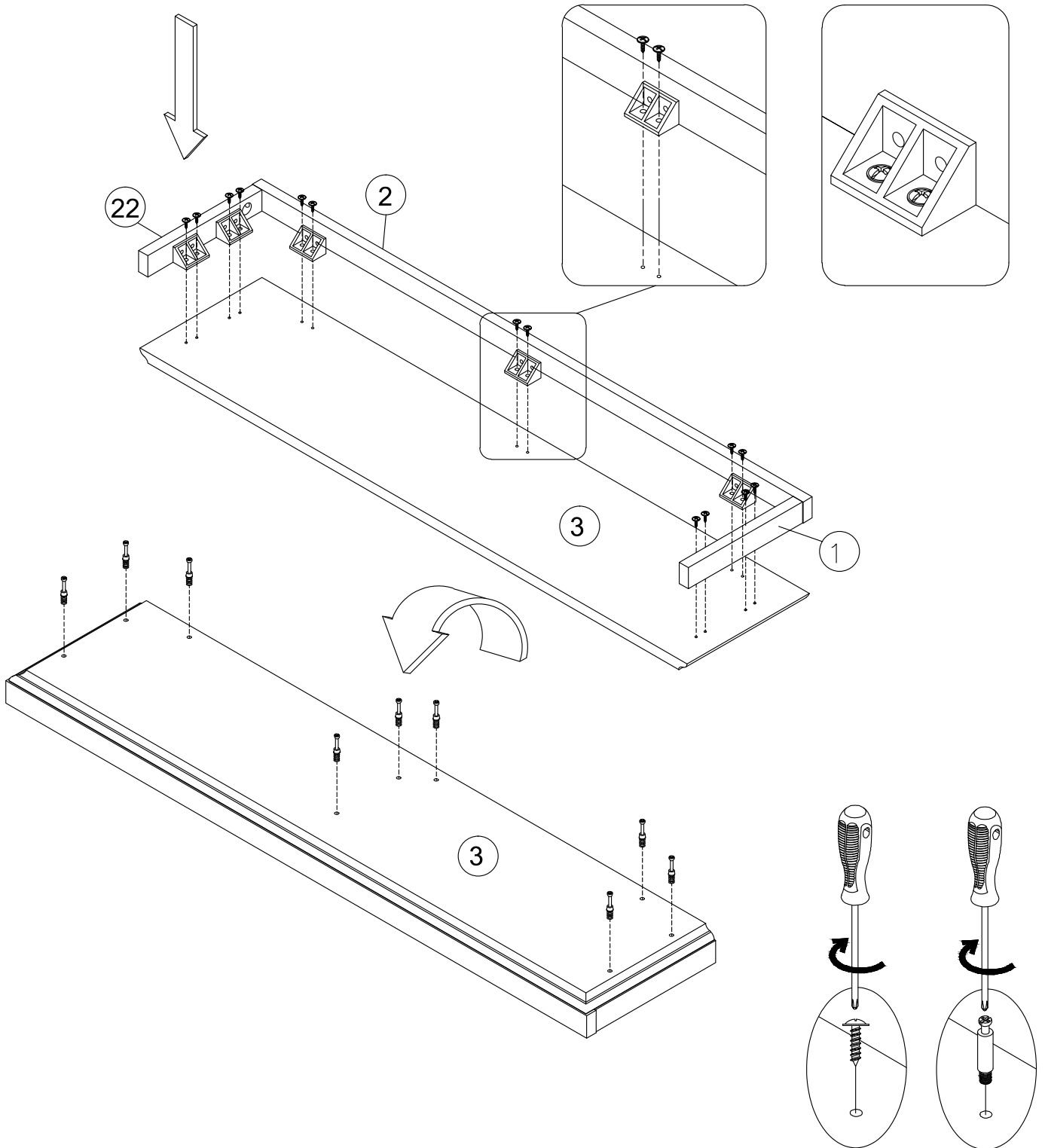


B

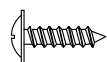


[x6]

23



E



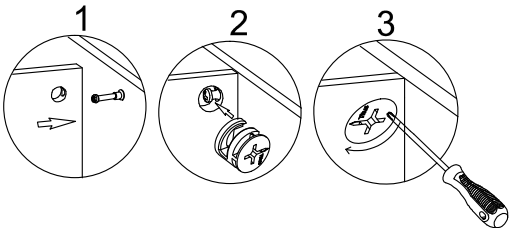
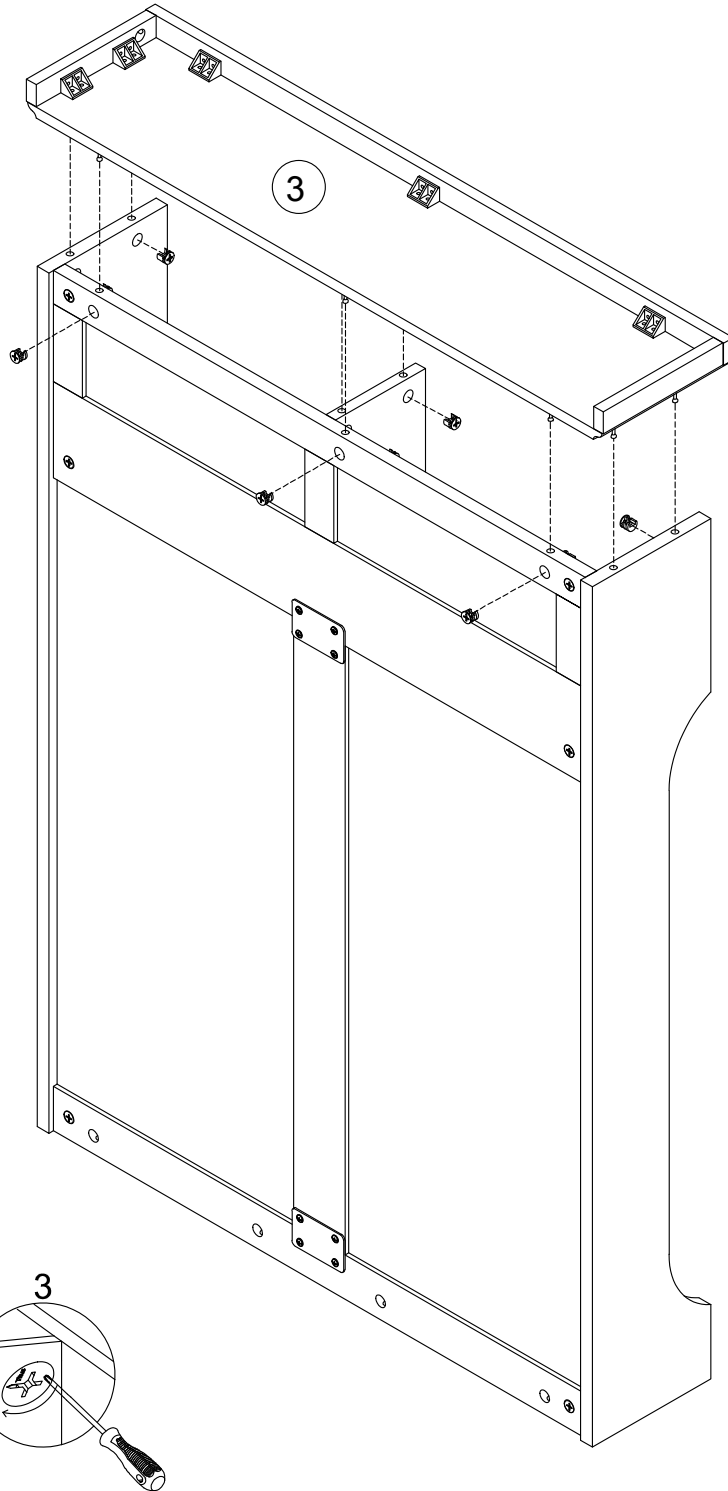
[x14]

A

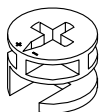


[x9]

24

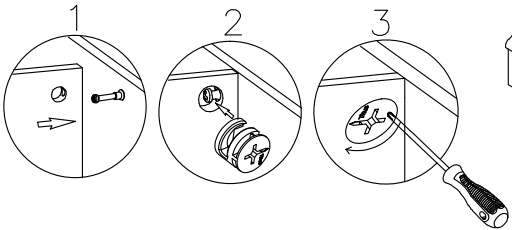
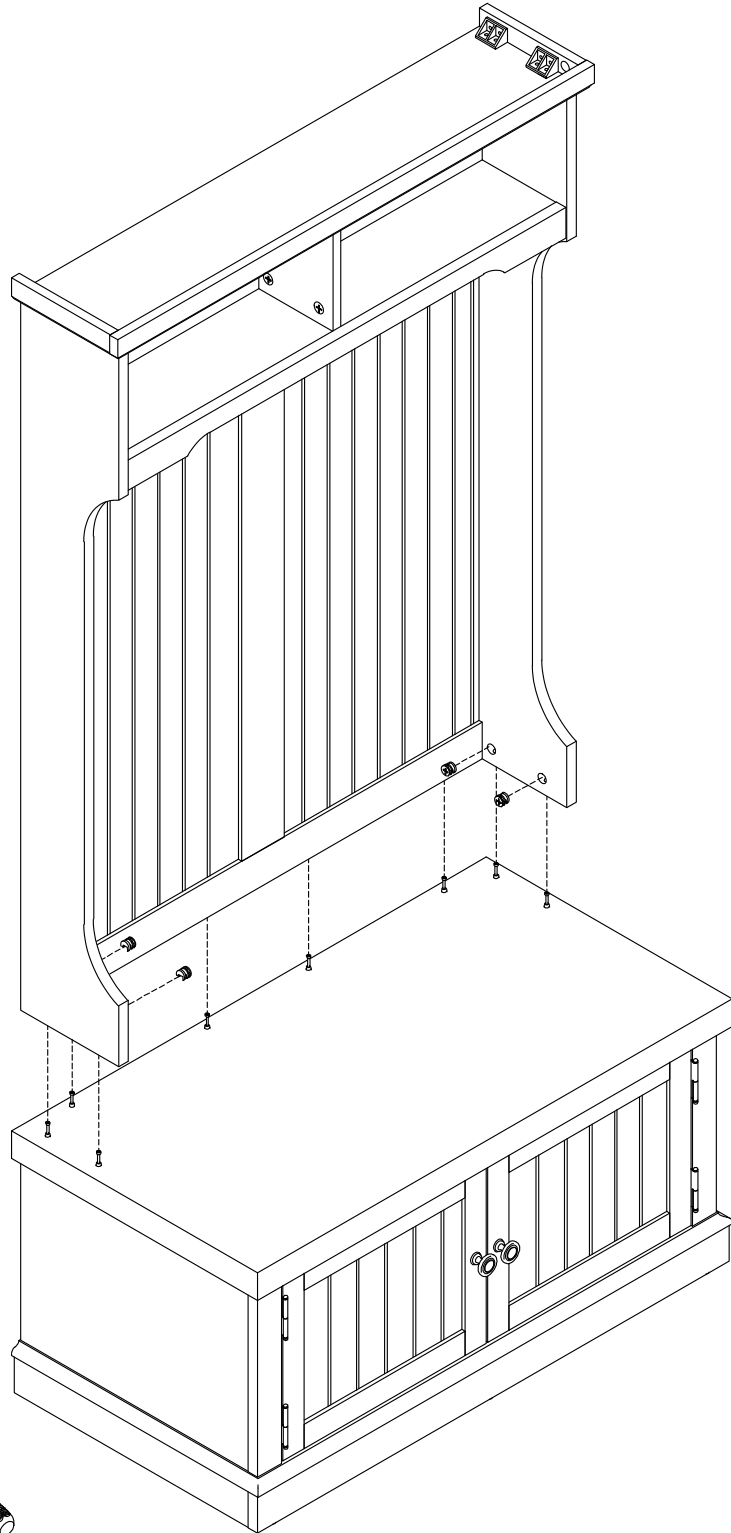


B

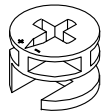


[x9]

25

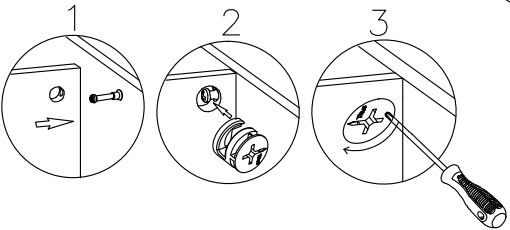
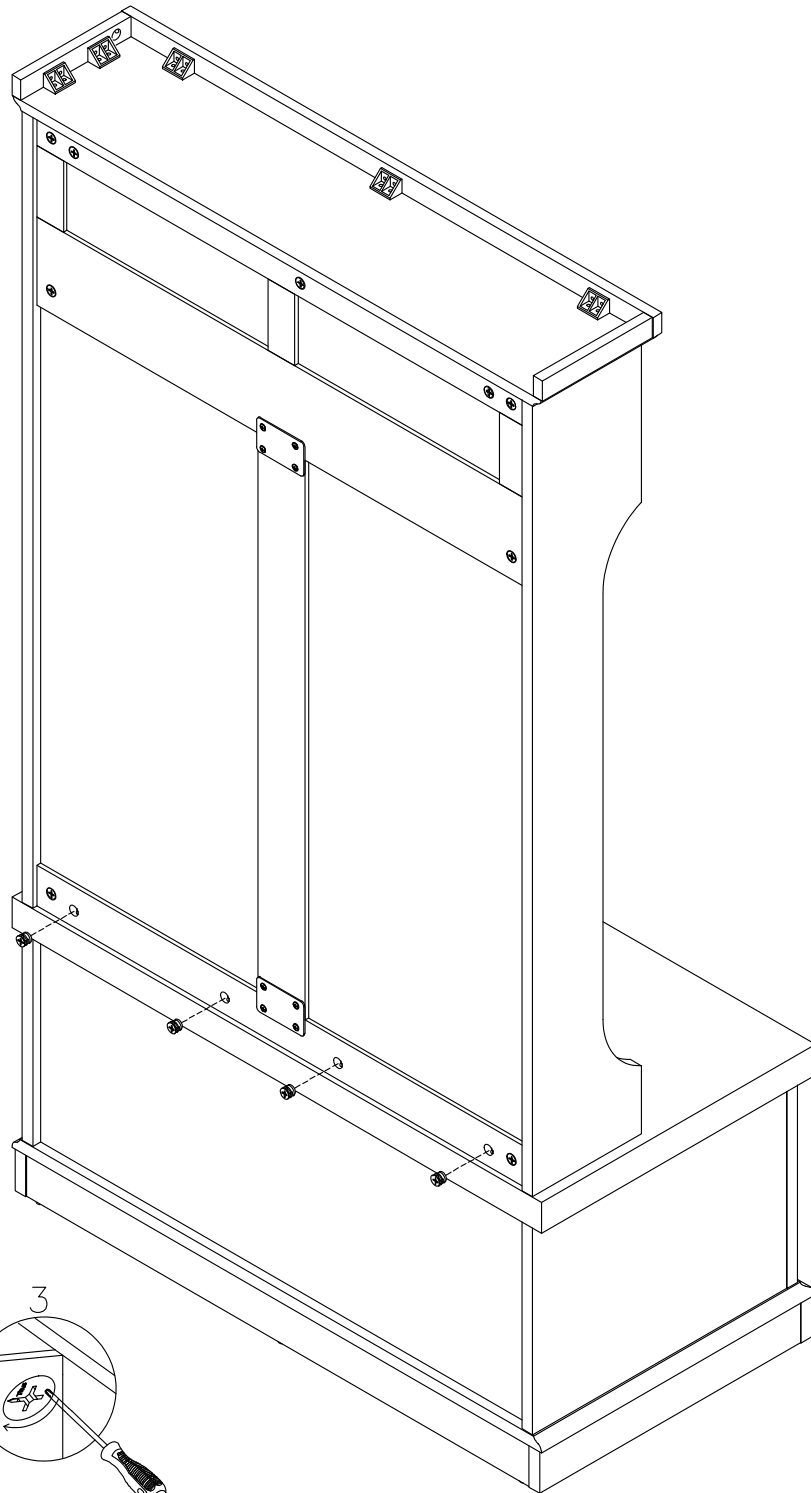


B

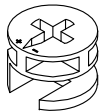


[x4]

26

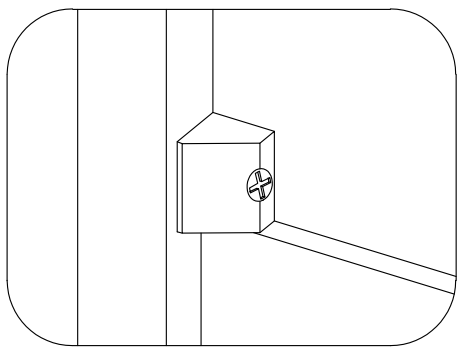
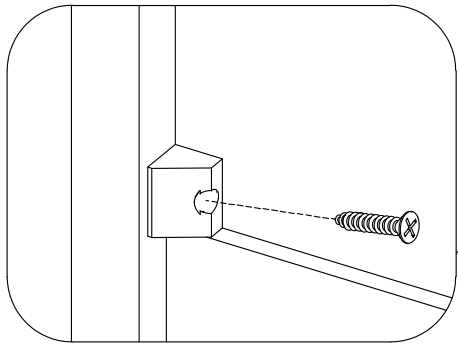
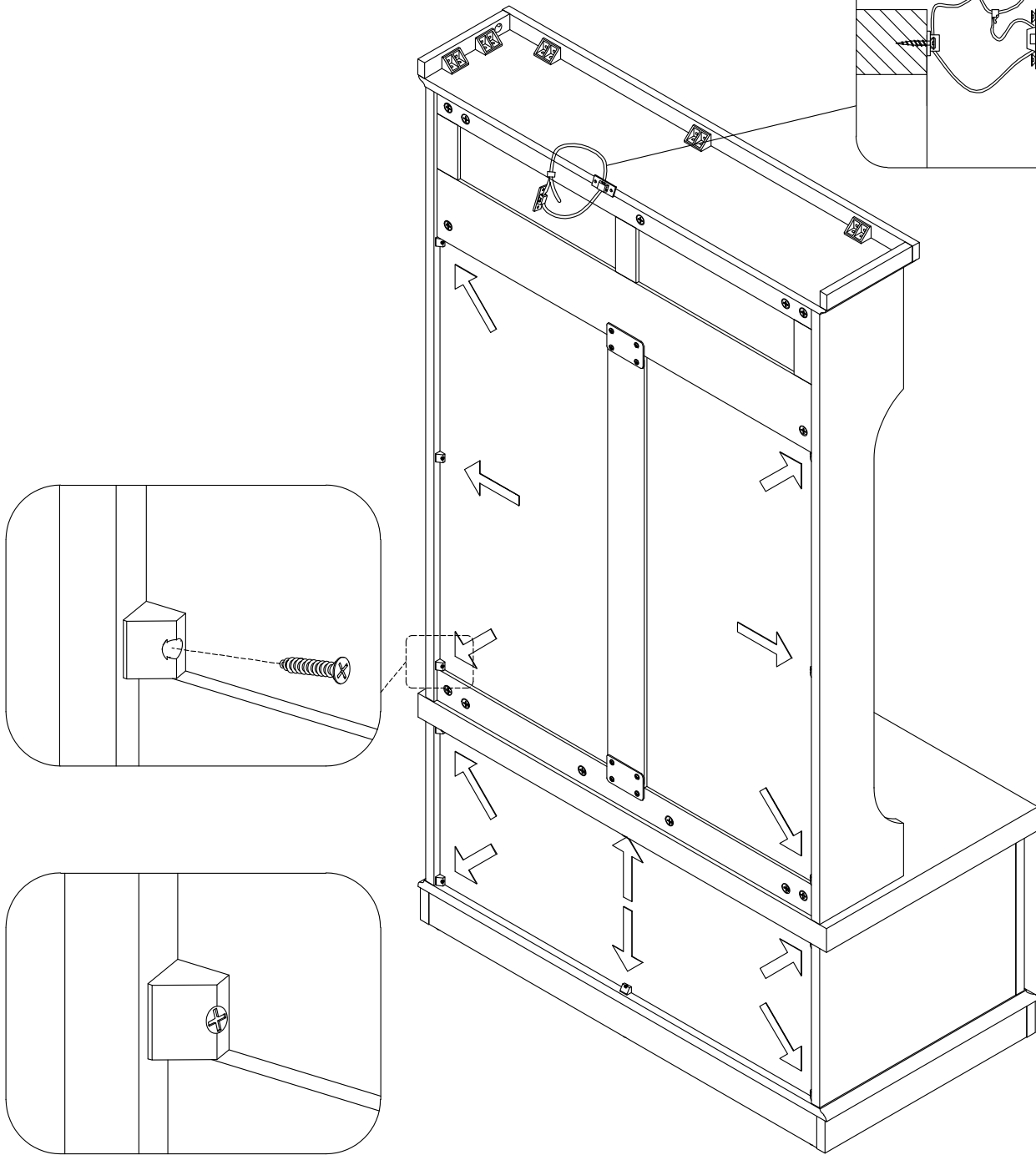
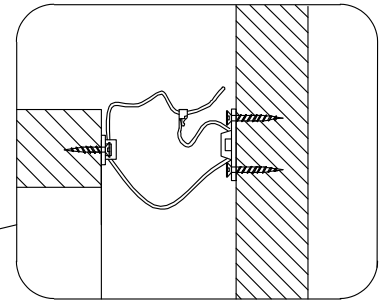


(B)



[x4]

27



(R)



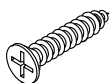
[x12]

(P)



[x1]

(S)



[x12]