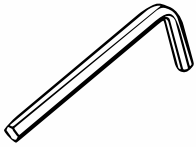
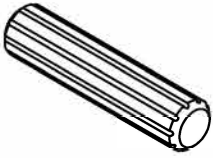

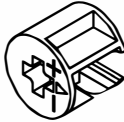


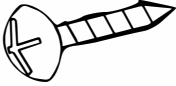
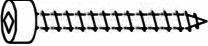
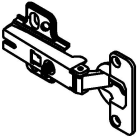
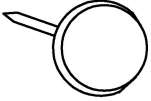


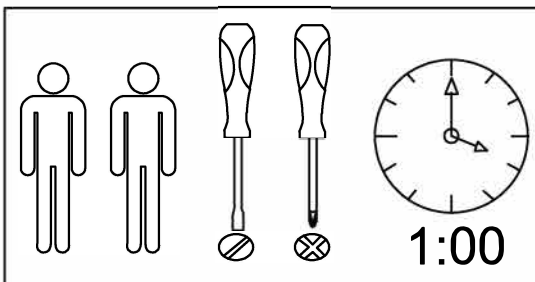
Product Name:	8-Shelf and 2-Cabinet Tall Bookcase with Doors
SKU #:	WHIF2142

Thank you for purchasing this LuxenHome product. This product has been manufactured with the highest standard of safety and quality.

PLEASE READ ALL INSTRUCTION BEFORE ASSEMBLY

Unpack all parts from the packaging inside the carton to ensure there no missing or damaged parts. If any parts are missing or damaged, do not attempt to assemble or use the product.

(A) x1	(B) x56	(C) x40	(D) x40	(E) x40
				
(F) x24	(G) x54	(H) x18	(I) x4	(J) x6
 CSK Screw M3.5 x 16mm	 Panhead M4 x 16mm,Black	 JCBC W Screw M6x40		

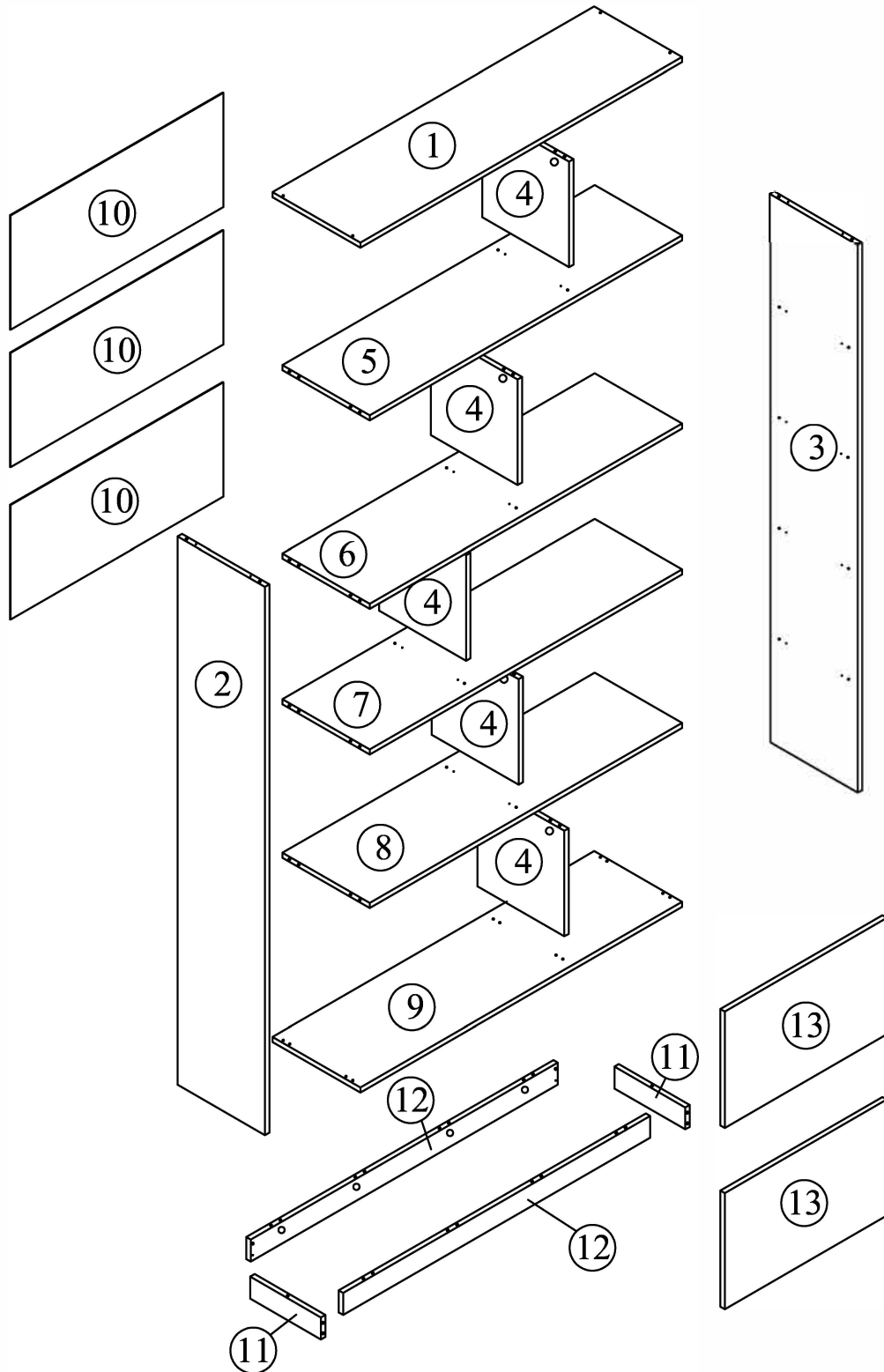


Tools required for assembly : Phillips screwdriver and Flathead screwdriver (if using power tools,use with care)

Product Name:	8-Shelf and 2-Cabinet Tall Bookcase with Doors
SKU #:	WHIF2142

① x1	② x1	③ x1	④ x5	⑤ x1
⑥ x1	⑦ x1	⑧ x1	⑨ x1	⑩ x3
⑪ x2	⑫ x2	⑬ x2		

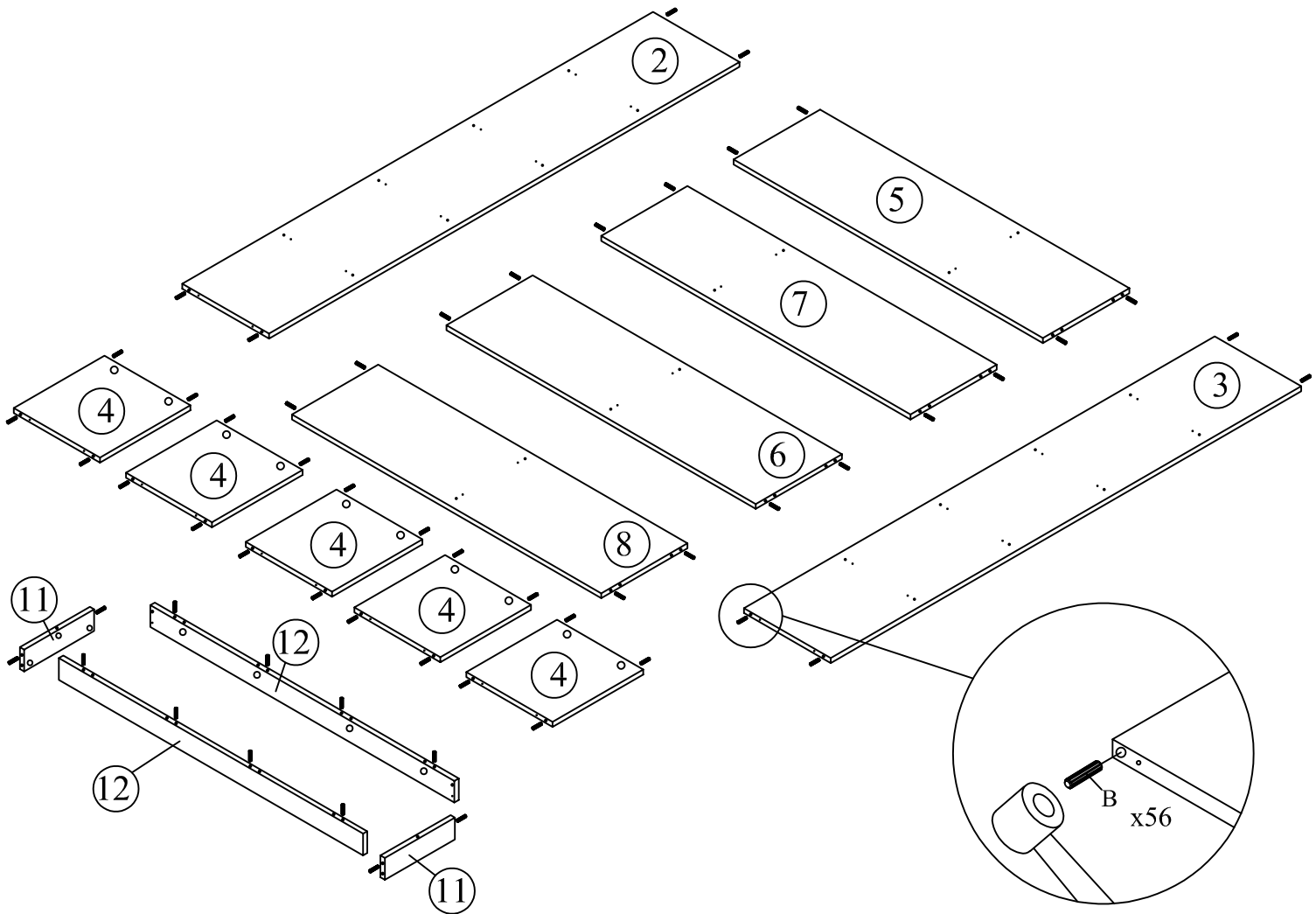
Product Name:	8-Shelf and 2-Cabinet Tall Bookcase with Doors
SKU #:	WHIF2142



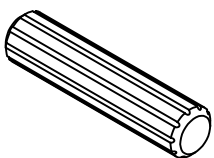
Product Name:	8-Shelf and 2-Cabinet Tall Bookcase with Doors
SKU #:	WHIF2142

Step 1

Attach hardware B to panels 2/3/4/5/6/7/8/11/12 with hammer as shown.



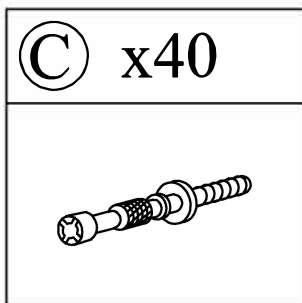
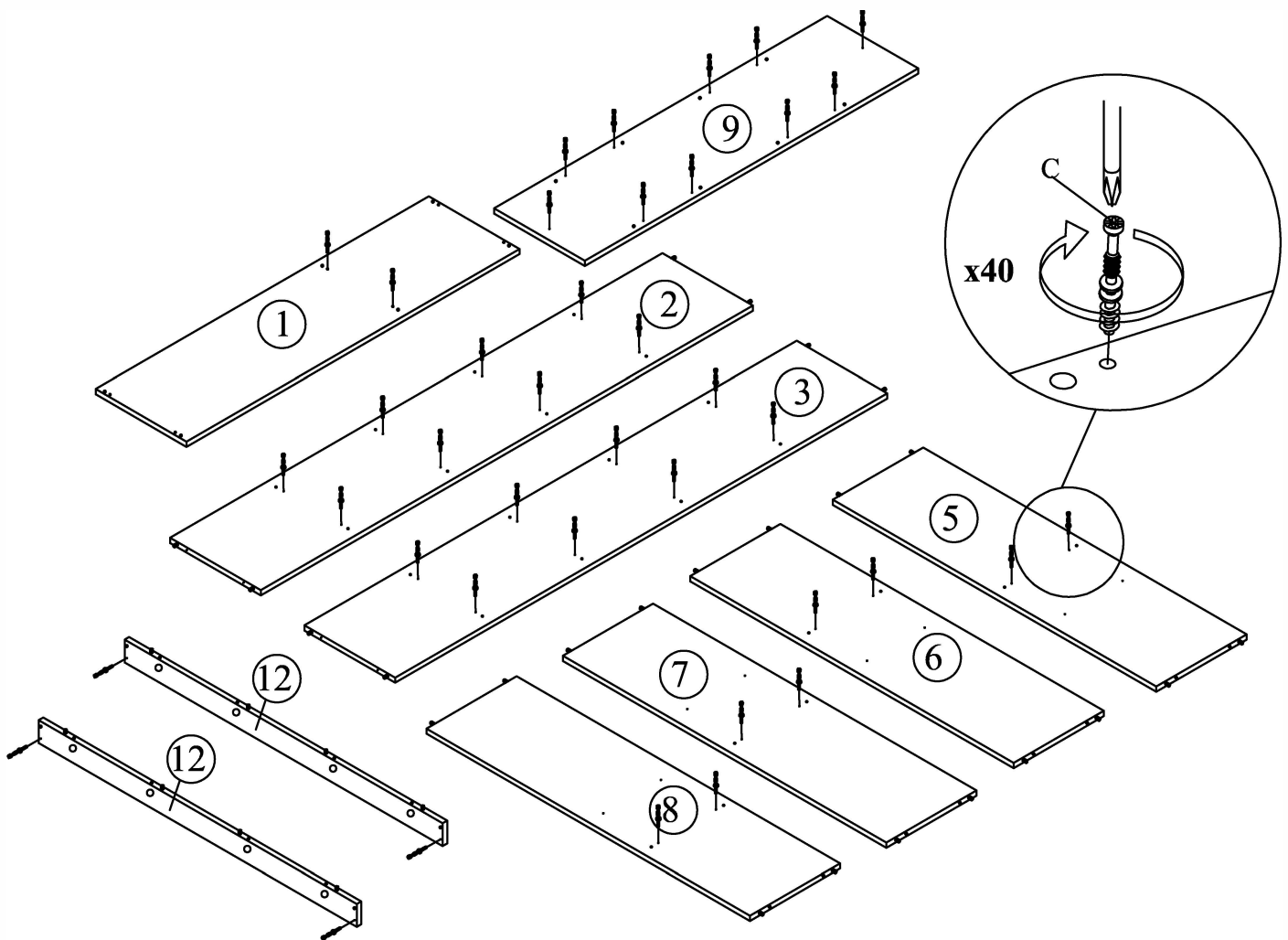
(B) x56



Product Name:	8-Shelf and 2-Cabinet Tall Bookcase with Doors
SKU #:	WHIF2142

Step 2

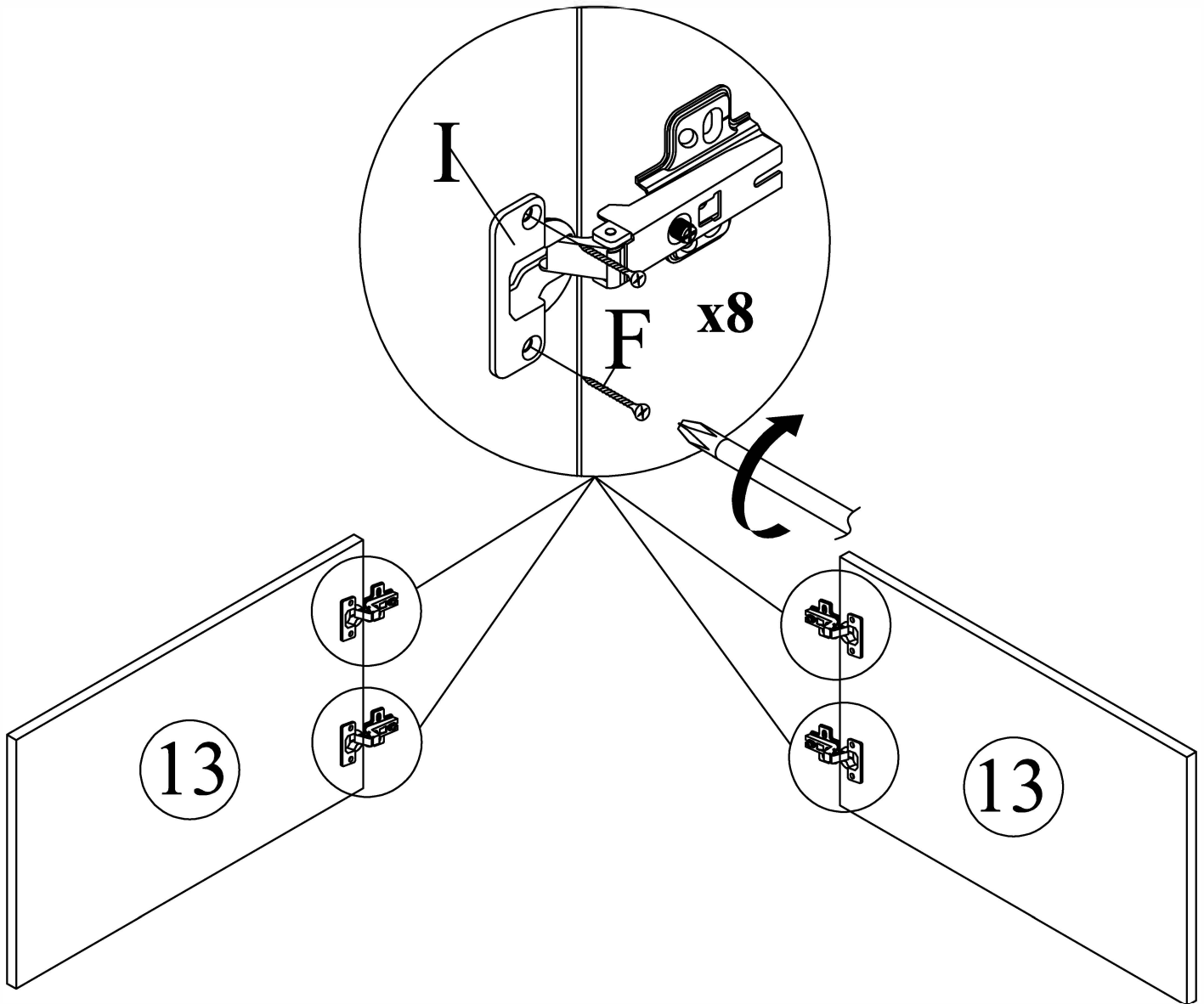
Attach hardware C to panels 1/2/3/5/6/7/8/9/12 with screwdriver as shown.





Product Name:	8-Shelf and 2-Cabinet Tall Bookcase with Doors
SKU #:	WHIF2142

Step 3

Attach hardware I to panels 13, tighten hardware F using screwdriver.

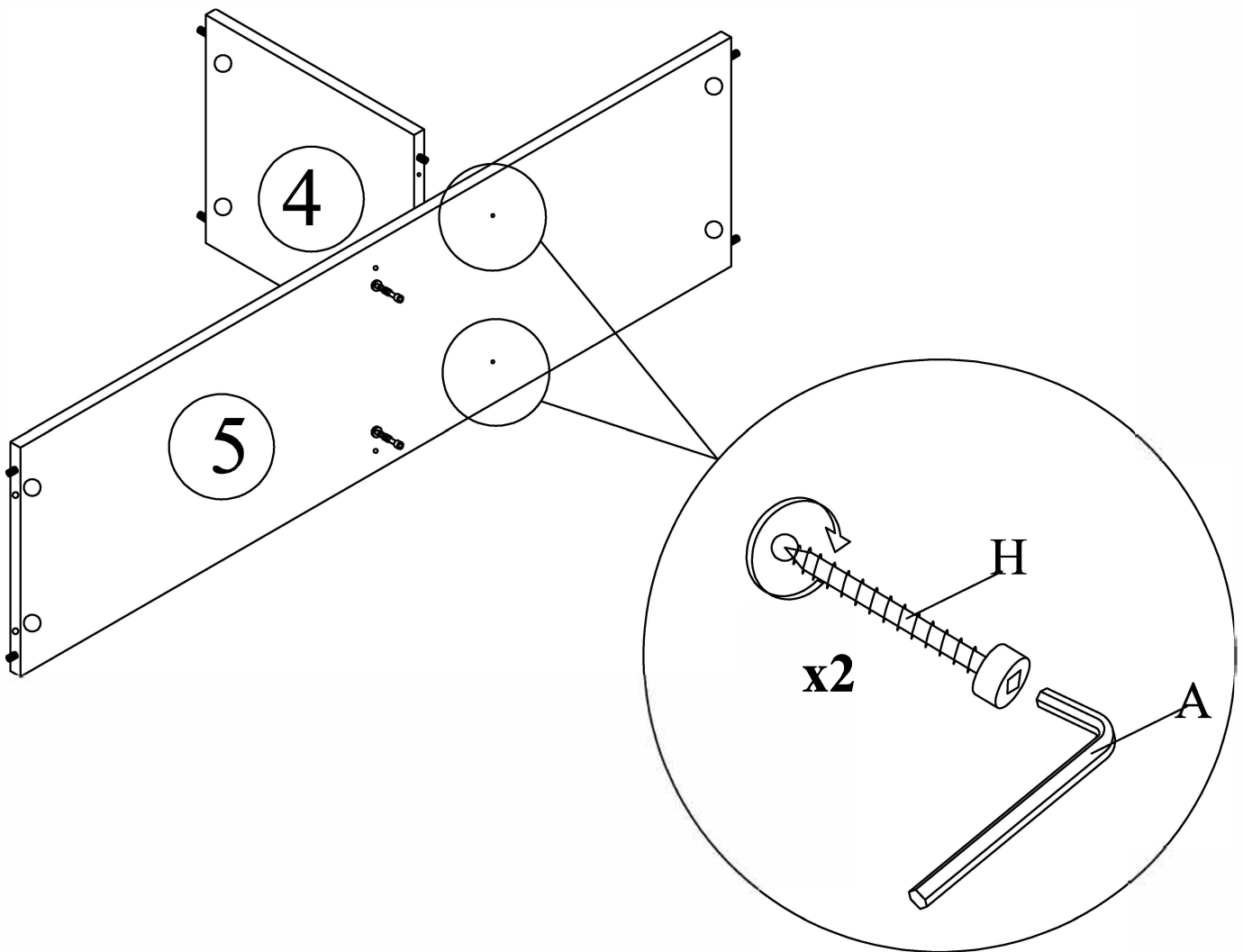


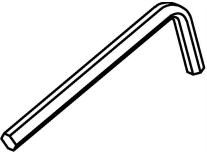
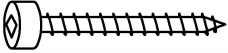
(F) x8	(I) x4
	
CSK Screw M3.5 x 16mm	

Product Name:	8-Shelf and 2-Cabinet Tall Bookcase with Doors
SKU #:	WHIF2142

Step 4

Attach panel 4 to panel 5 and tighten hardware H using allen key A.



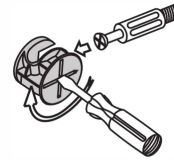
A x1	H x2
	
	JCBC W Screw M6x40

Product Name:	8-Shelf and 2-Cabinet Tall Bookcase with Doors
SKU #:	WHIF2142

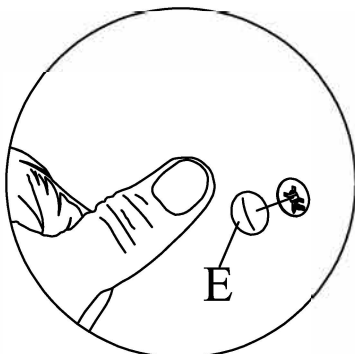
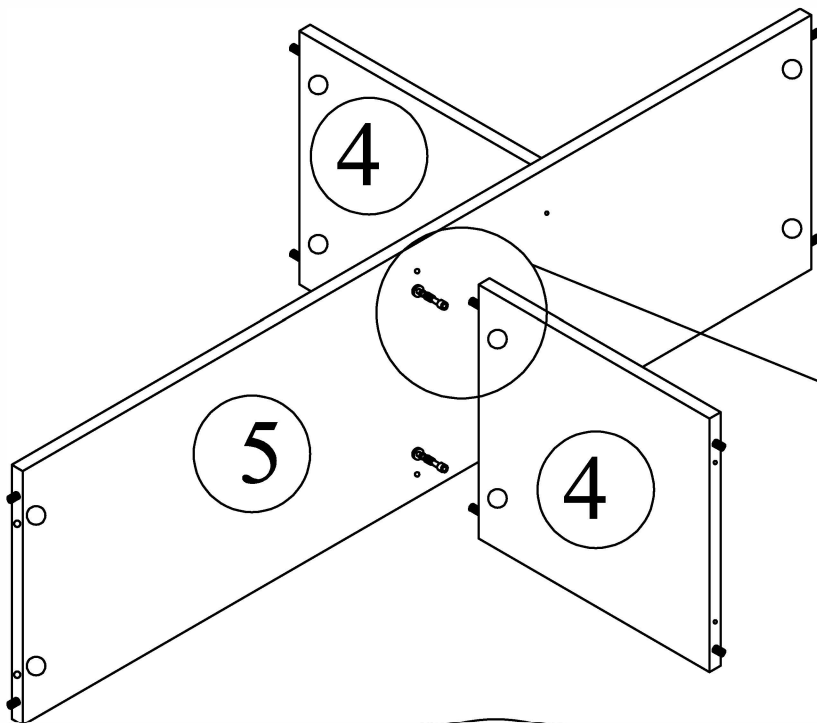
Step 5

Connect panel 4 to panel 5 and insert the hardware D into holes and tighten hardware D using allen key A. Make sure arrow at hardware D is facing open holes.

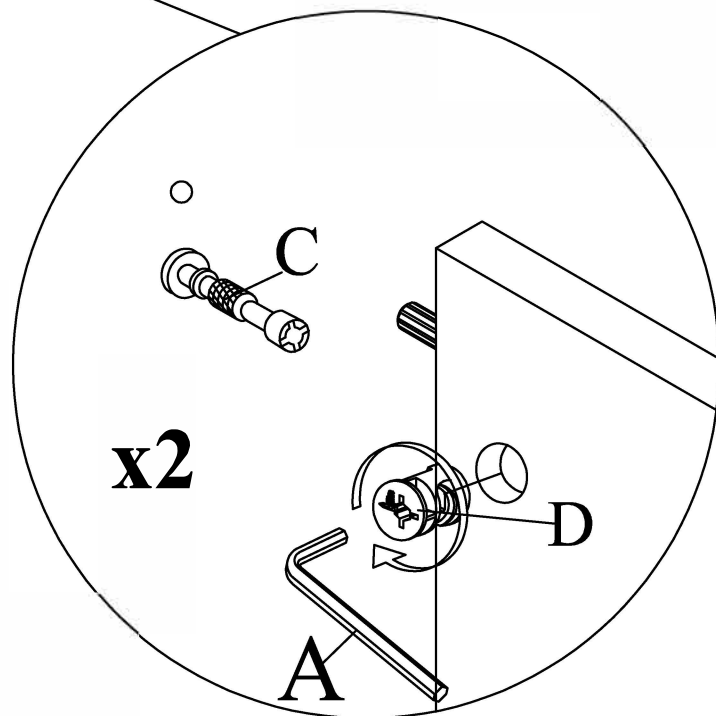
This is how a mini fix works...



The head of the mini fix housing goes into the open mouth of the mini fix bolt. You then turn the mini fix housing so it tightens over the mini fix bolt.



**Attach Minifix Cap as shown.*

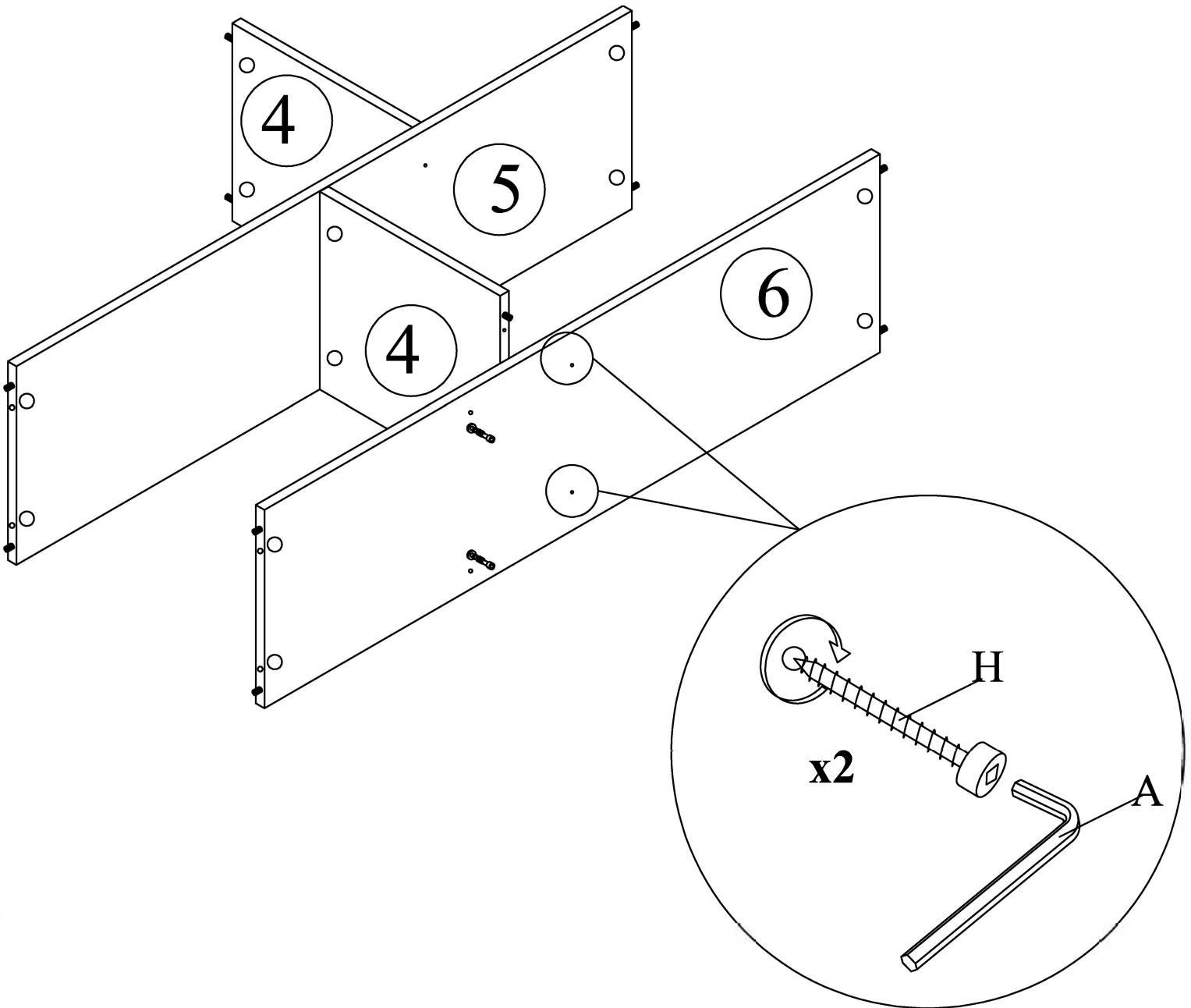


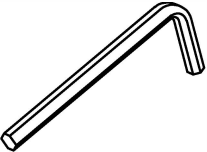
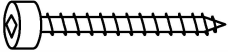
(A) x1	(C) x2	(D) x2	(E) x2

Product Name:	8-Shelf and 2-Cabinet Tall Bookcase with Doors
SKU #:	WHIF2142

Step 6

Attach panel 4 to panel 6 and tighten hardware H using allen key A.



A x1	H x2
	

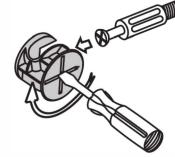
JCBC W Screw M6x40

Product Name:	8-Shelf and 2-Cabinet Tall Bookcase with Doors
SKU #:	WHIF2142

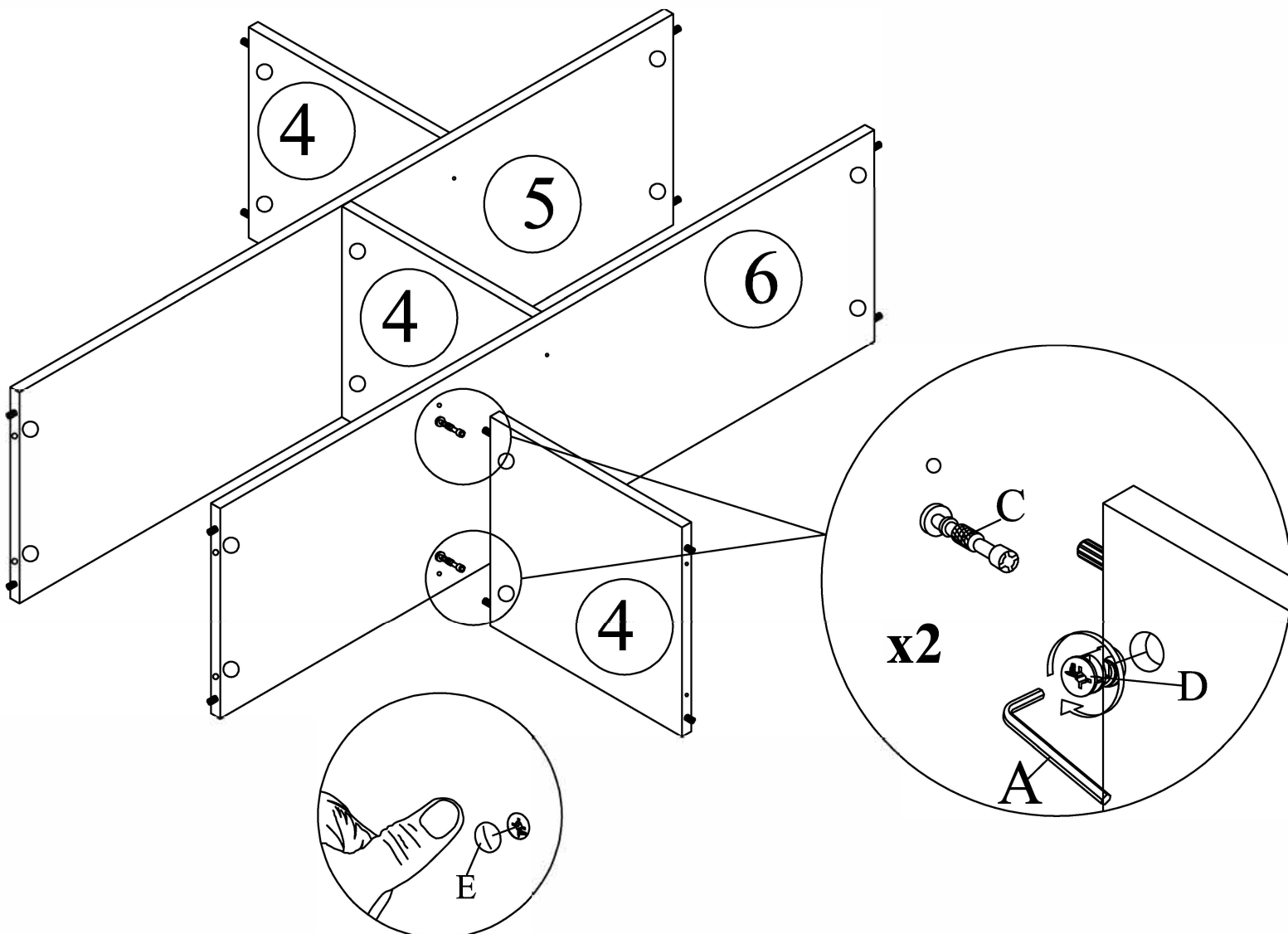
Step 7

Connect panel 4 to panel 6 and insert the hardware D into holes and tighten hardware D using allen key A. Make sure arrow at hardware D is facing open holes.

This is how a mini fix works...



The head of the mini fix housing goes into the open mouth of the mini fix bolt. You then turn the mini fix housing so it tightens over the mini fix bolt.



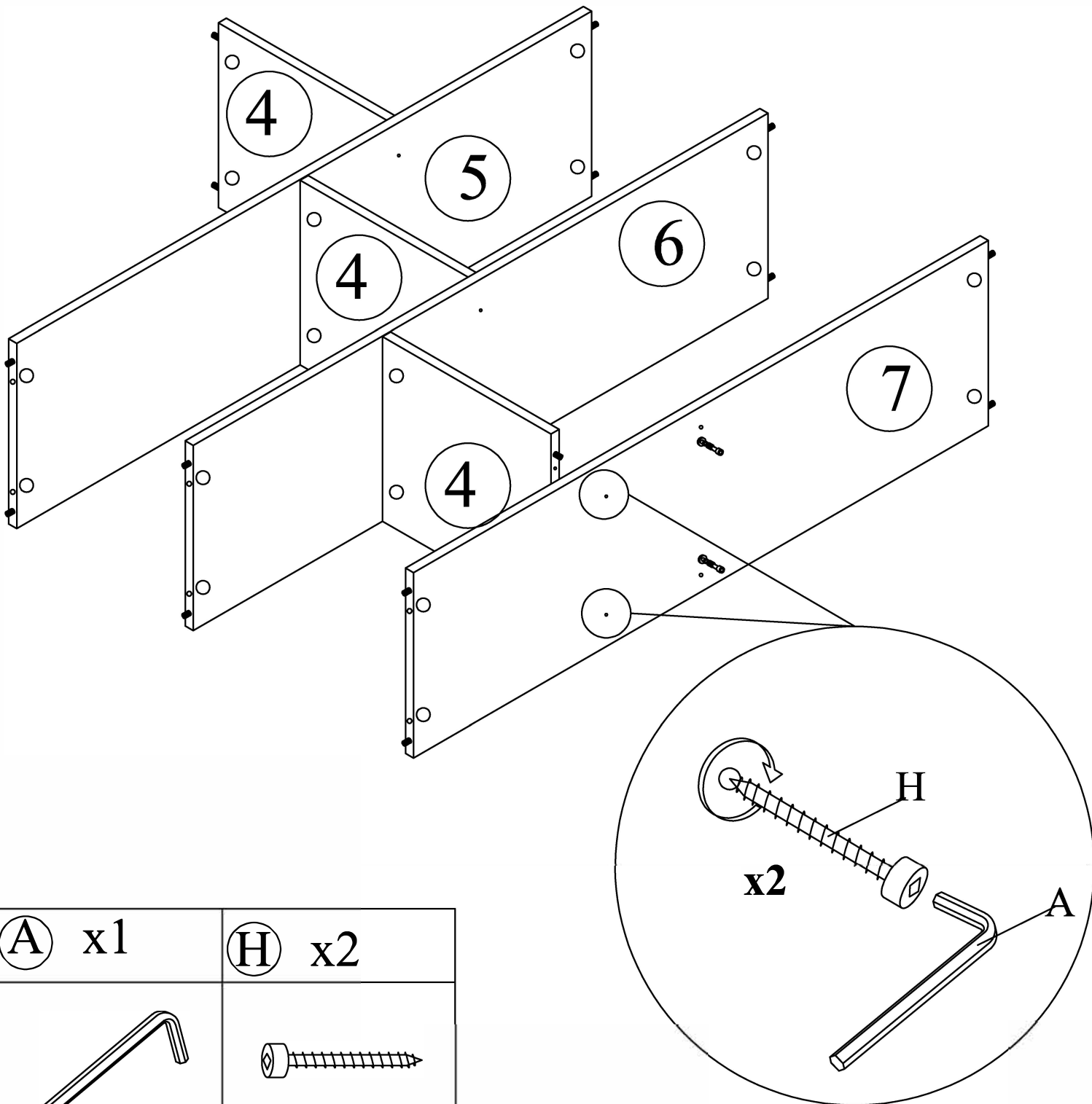
*Attach Minifix Cap as shown.

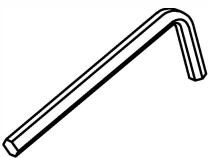
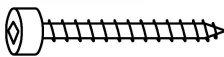
(A) x1	(C) x2	(D) x2	(E) x2

Product Name:	8-Shelf and 2-Cabinet Tall Bookcase with Doors
SKU #:	WHIF2142

Step 8

Attach panel 4 to panel 7 and tighten hardware H using allen key A.



A x1	H x2
	

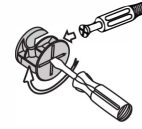
JCBC W Screw M6x40

Product Name:	8-Shelf and 2-Cabinet Tall Bookcase with Doors
SKU #:	WHIF2142

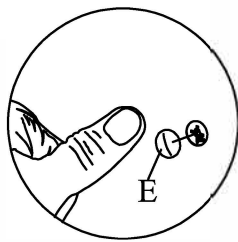
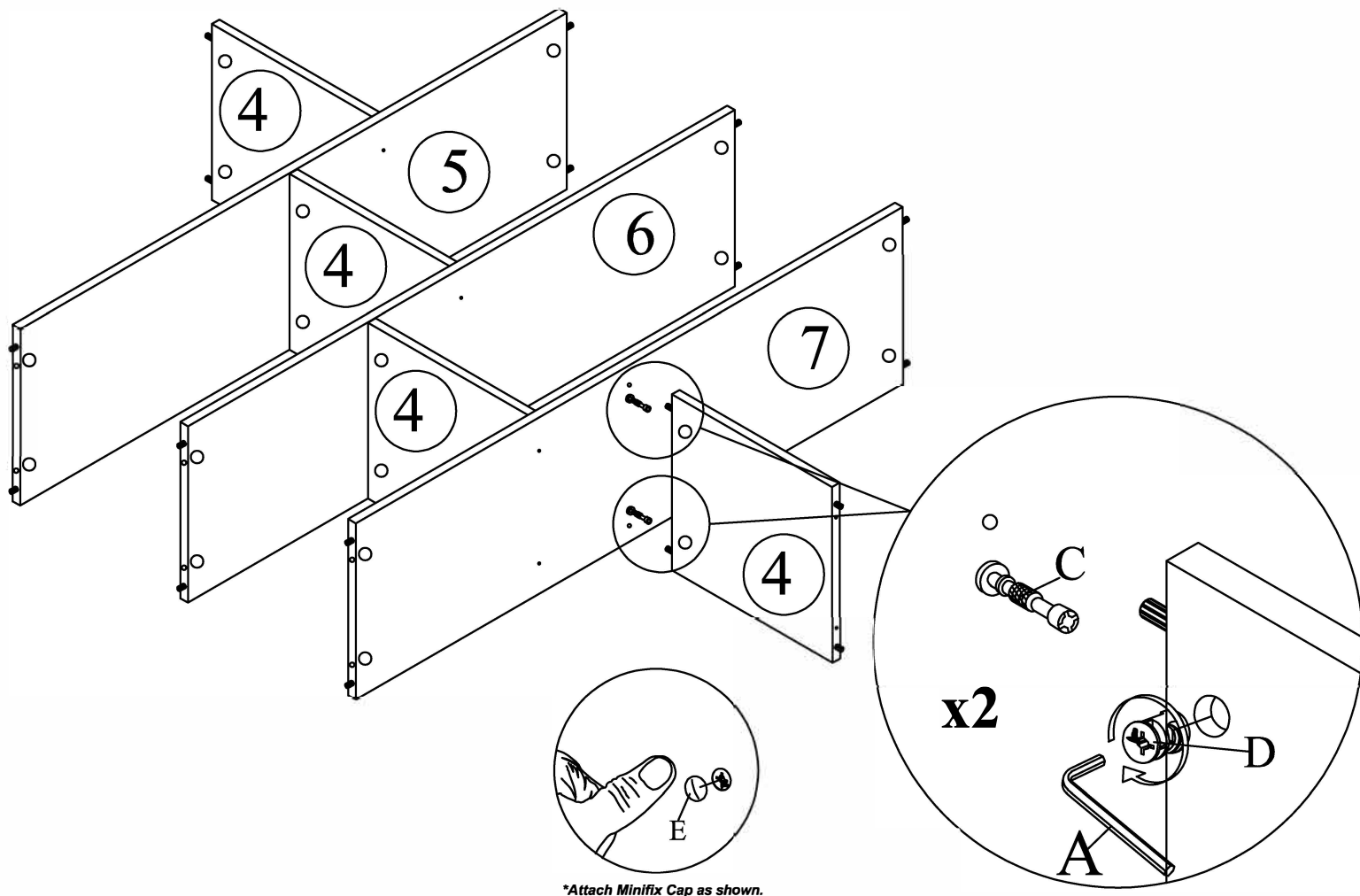
Step 9

Connect panel 4 to panel 7 and insert the hardware D into holes and tighten hardware D using allen key A. Make sure arrow at hardware D is facing open holes.

This is how a mini fix works...



The head of the mini fix housing goes into the open mouth of the mini fix bolt. You then turn the mini fix housing so it tightens over the mini fix bolt.



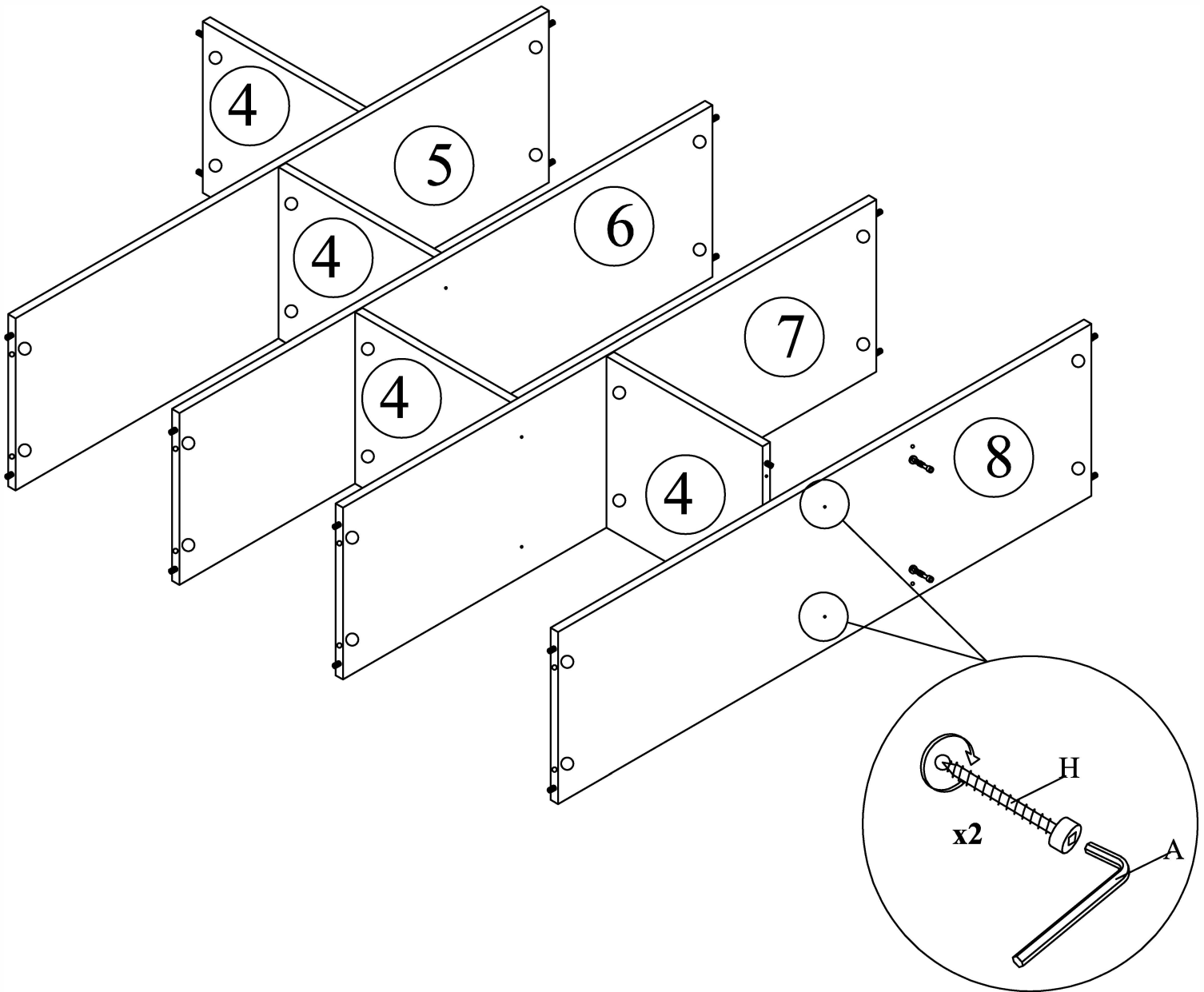
*Attach Minifix Cap as shown.

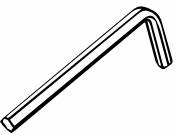
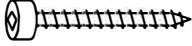
(A) x1	(C) x2	(D) x2	(E) x2

Product Name:	8-Shelf and 2-Cabinet Tall Bookcase with Doors
SKU #:	WHIF2142

Step 10

Attach panel 4 to panel 8 and tighten hardware H using allen key A.



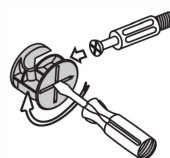
(A) x1	(H) x2
	
	JCBC W Screw M6x40

Product Name:	8-Shelf and 2-Cabinet Tall Bookcase with Doors
SKU #:	WHIF2142

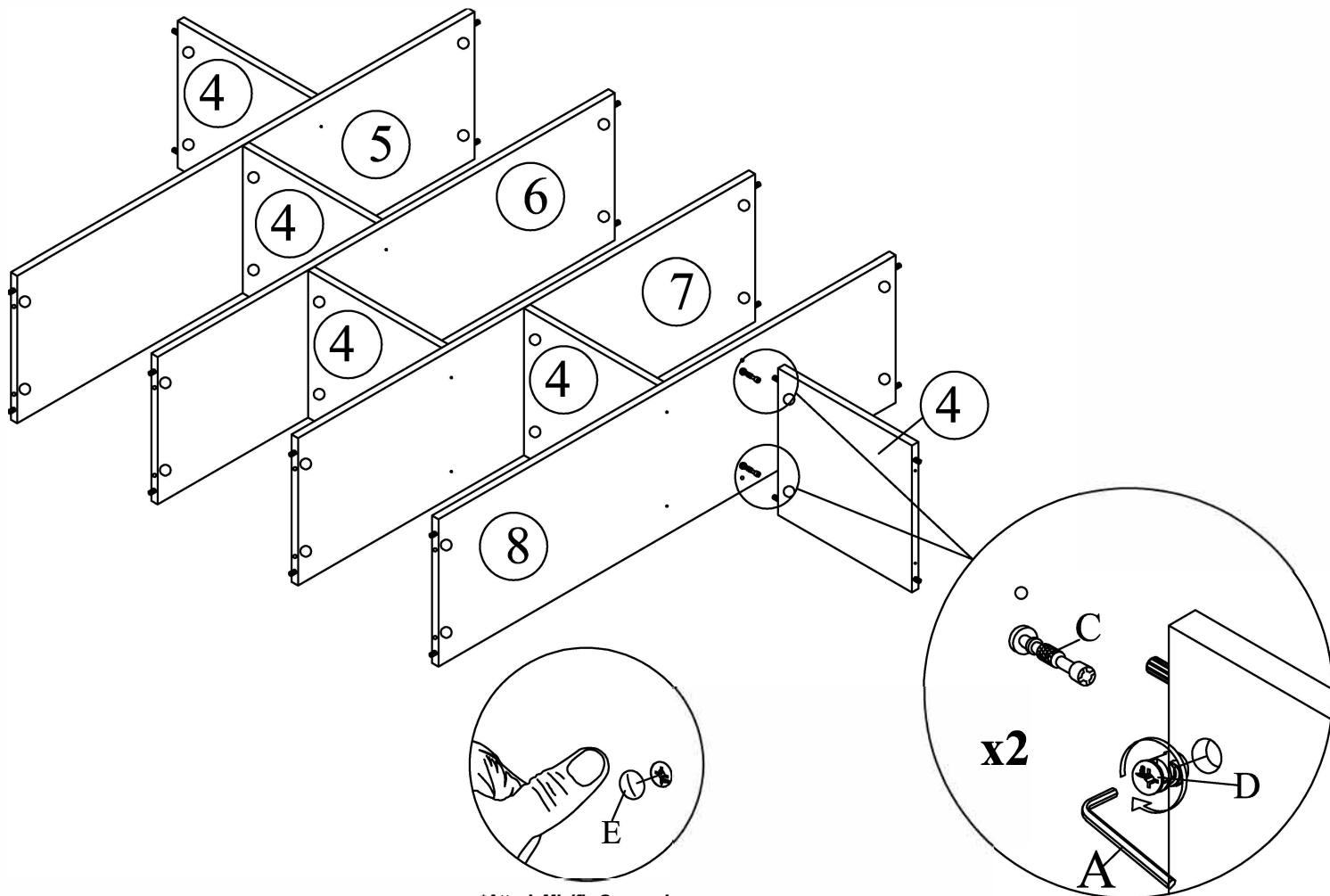
Step 11

Connect panel 4 to panel 8 and insert the hardware D into holes and tighten hardware D using allen key A. Make sure arrow at hardware D is facing open holes.

This is how a mini fix works...



The head of the mini fix housing goes into the open mouth of the mini fix bolt. You then turn the mini fix housing so it tightens over the mini fix bolt.



*Attach Minifix Cap as shown.


(A) x1	(C) x2	(D) x2	(E) x2

Product Name:	8-Shelf and 2-Cabinet Tall Bookcase with Doors
SKU #:	WHIF2142

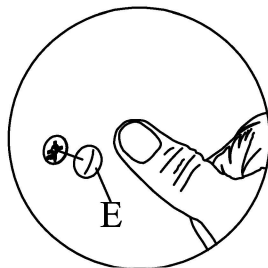
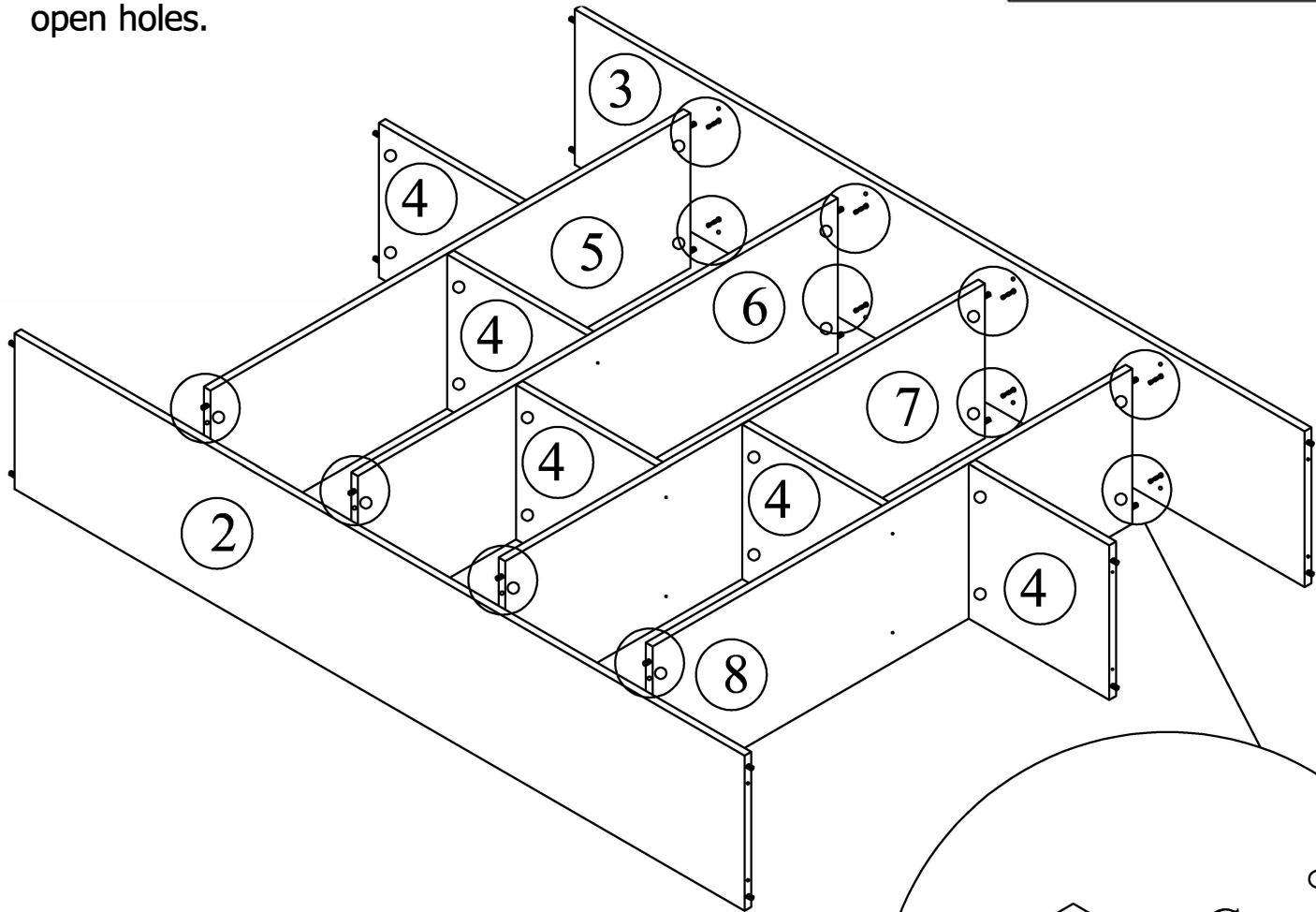
Step 12

Connect panel 3 to panel 5/6/7/8 and insert the hardware D into holes and tighten hardware D using allen key A. Make sure arrow at hardware D is facing open holes.

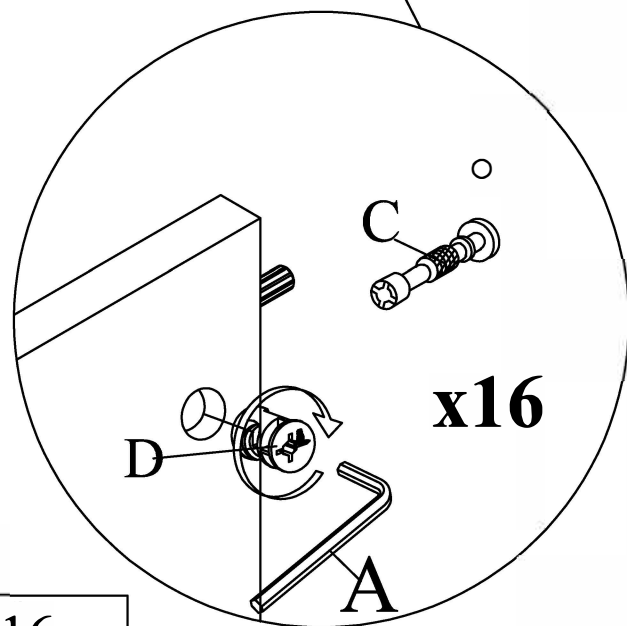
This is how a mini fix works...

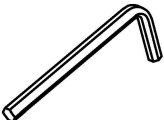





The head of the mini fix housing goes into the open mouth of the mini fix bolt. You then turn the mini fix housing so it tightens over the mini fix bolt.



*Attach Minifix Cap as shown.

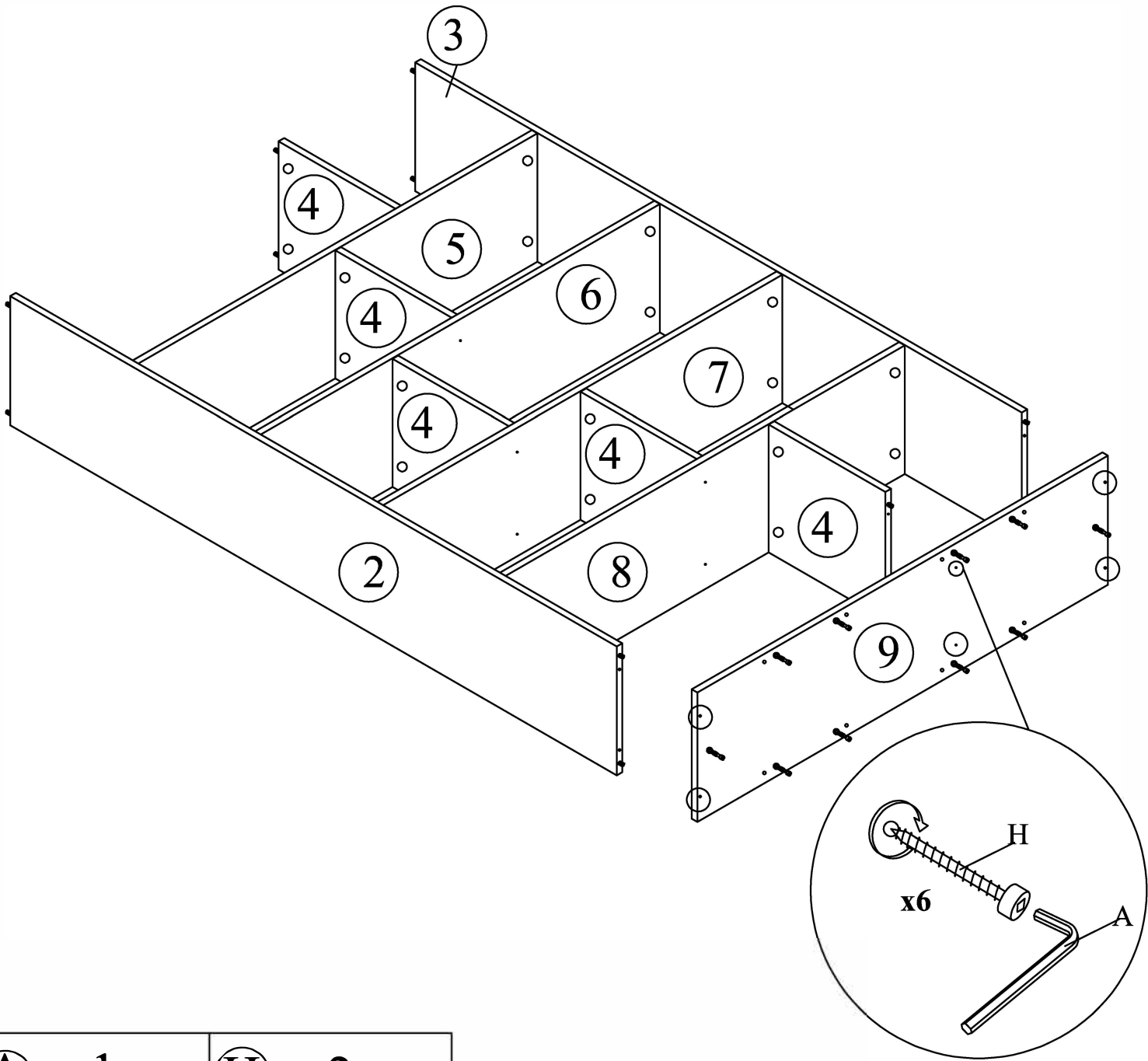


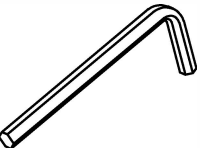
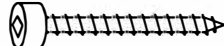
(A) x1	(C) x16	(D) x16	(E) x16
			

Product Name:	8-Shelf and 2-Cabinet Tall Bookcase with Doors
SKU #:	WHIF2142

Step 13

Attach panel 9 to panel 2/3/4 and tighten hardware H using allen key A.



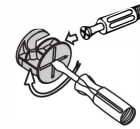
Ⓐ x1	Ⓗ x2
	
	JCBC W Screw M6x40

Product Name:	8-Shelf and 2-Cabinet Tall Bookcase with Doors
SKU #:	WHIF2142

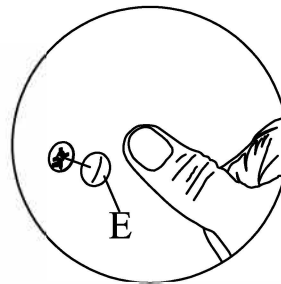
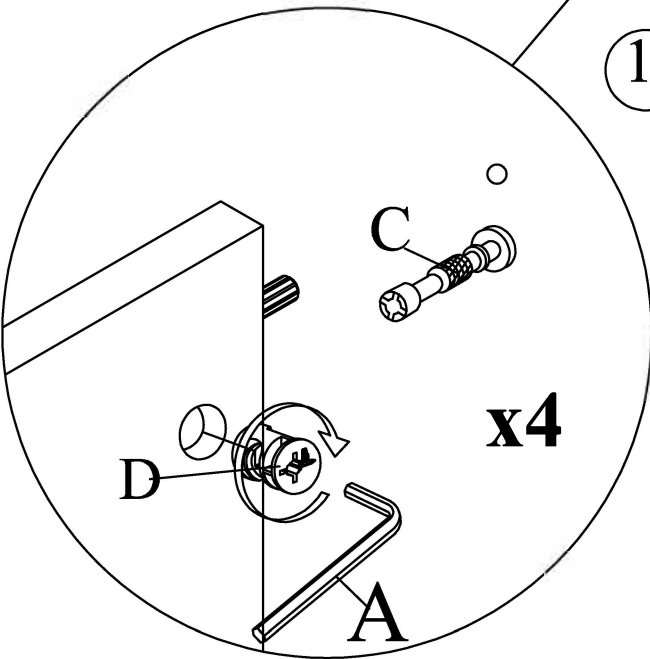
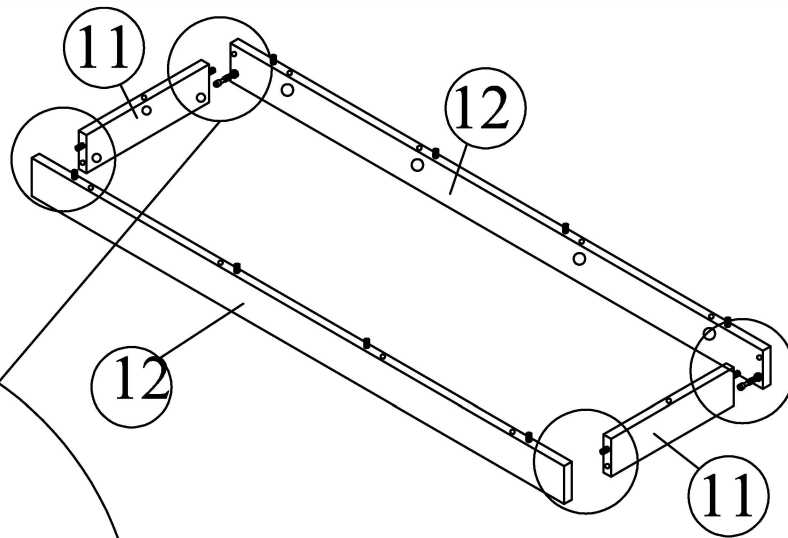
Step 14

Connect panel 12 to panel 11 and insert the hardware D into holes and tighten hardware D using allen key A. Make sure arrow at hardware D is facing open holes.

This is how a mini fix works...



The head of the mini fix housing goes into the open mouth of the mini fix bolt. You then turn the mini fix housing so it tightens over the mini fix bolt.



*Attach Minifix Cap as shown.


(A) x1	(C) x4	(D) x4	(E) x4

Product Name:	8-Shelf and 2-Cabinet Tall Bookcase with Doors
SKU #:	WHIF2142

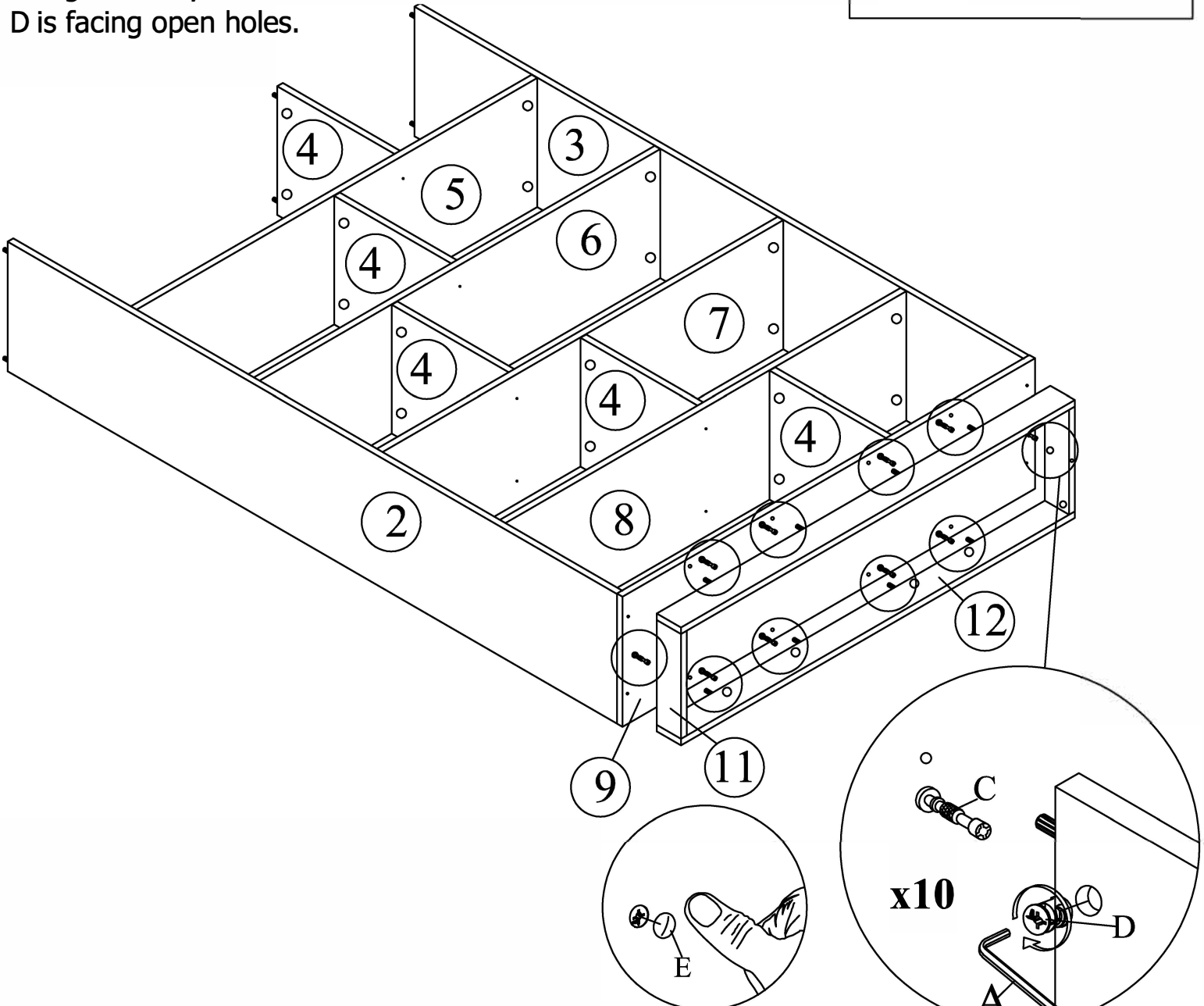
Step 15

Connect panel 9 to panel 11/12 and insert the hardware D into holes and tighten hardware D using allen key A. Make sure arrow at hardware D is facing open holes.

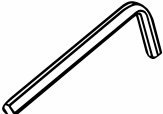

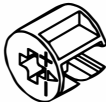

This is how a mini fix works...



The head of the mini fix housing goes into the open mouth of the mini fix bolt. You then turn the mini fix housing so it tightens over the mini fix bolt.



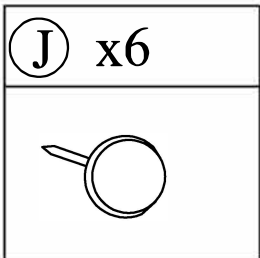
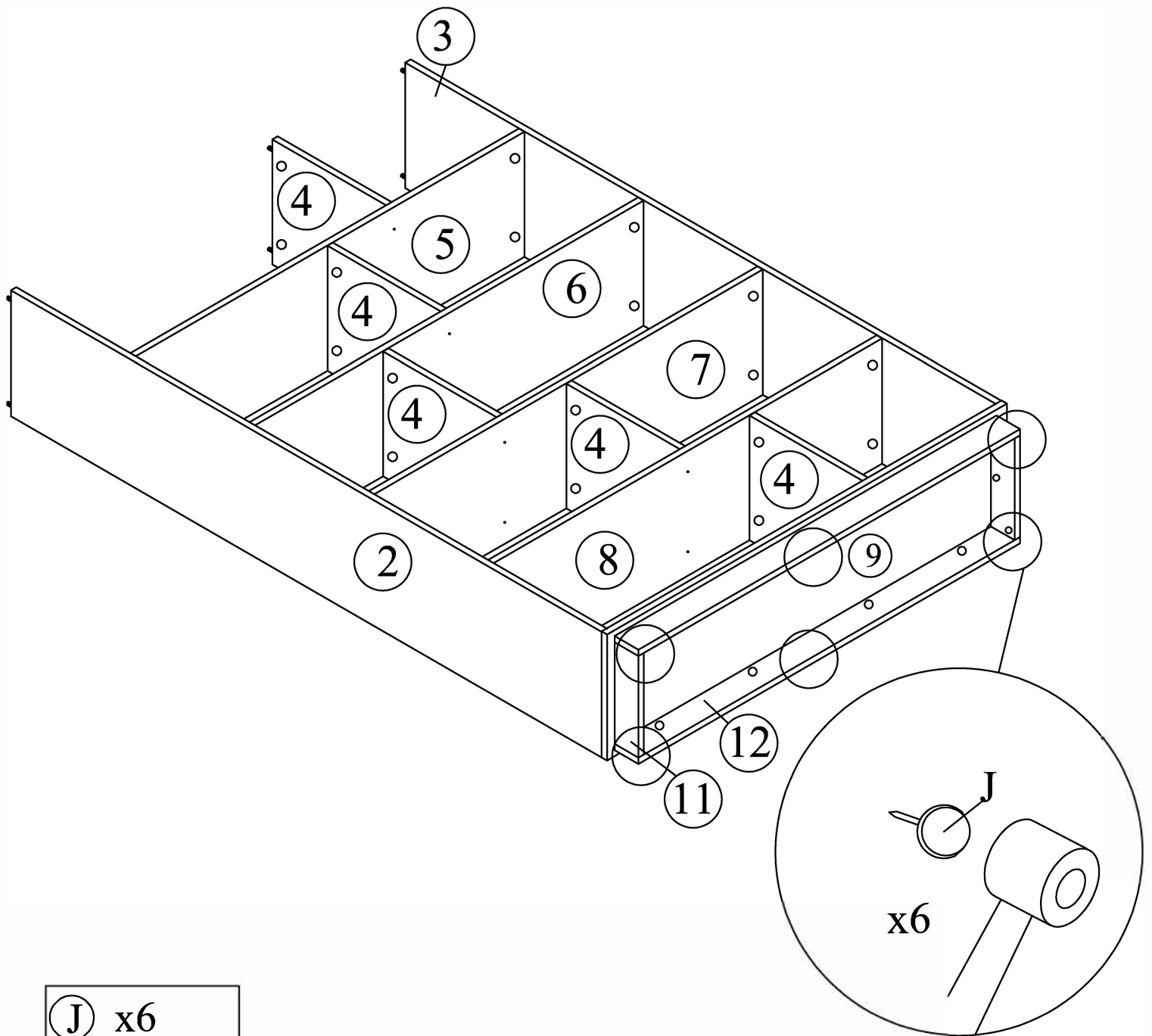
*Attach Minifix Cap as shown.

(A) x1	(C) x10	(D) x10	(E) x10
			

Product Name:	8-Shelf and 2-Cabinet Tall Bookcase with Doors
SKU #:	WHIF2142

Step 16

Attach hardware J to panels 11/12 with hammer as shown.




Product Name:	8-Shelf and 2-Cabinet Tall Bookcase with Doors
SKU #:	WHIF2142

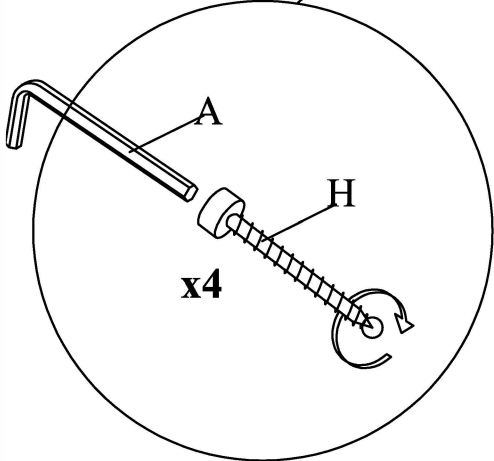
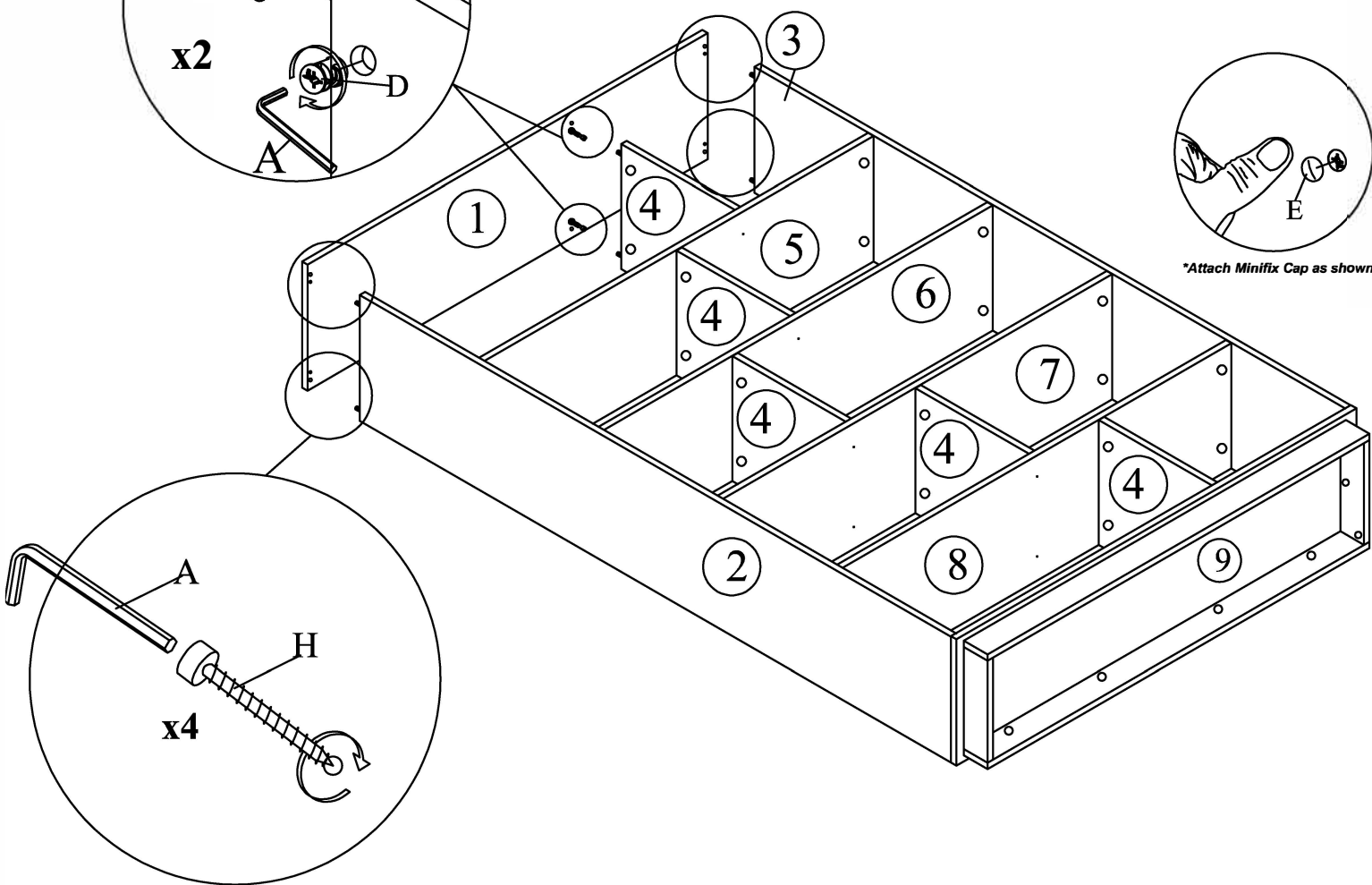
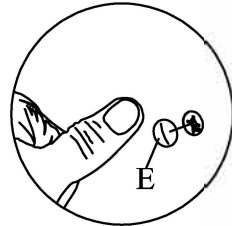
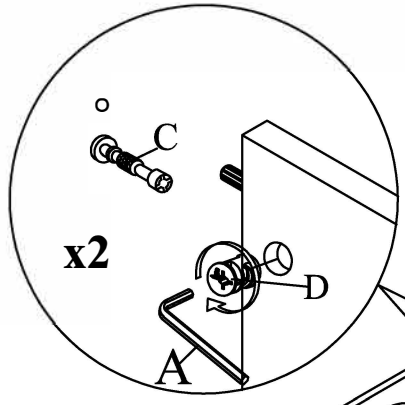
Step 17

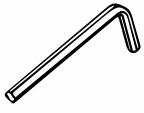




Connect panel 1 to panel 2/3/4 and insert the hardware D into holes and tighten hardware D using allen key A. Make sure arrow at hardware D is facing open holes.

This is how a mini fix works...



The head of the mini fix housing goes into the open mouth of the mini fix bolt. You then turn the mini fix housing so it tightens over the mini fix bolt.



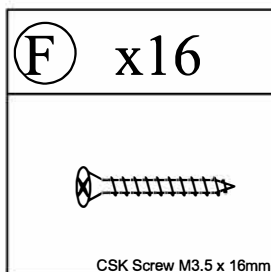
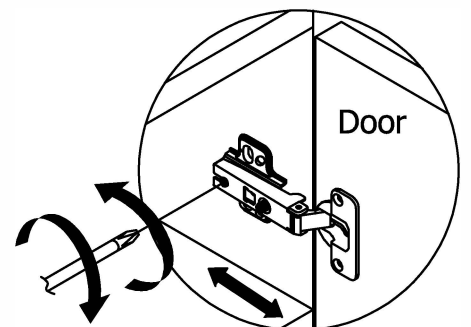
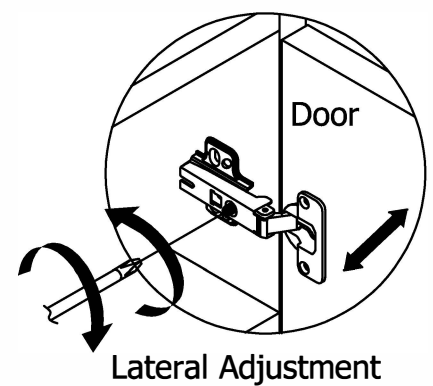
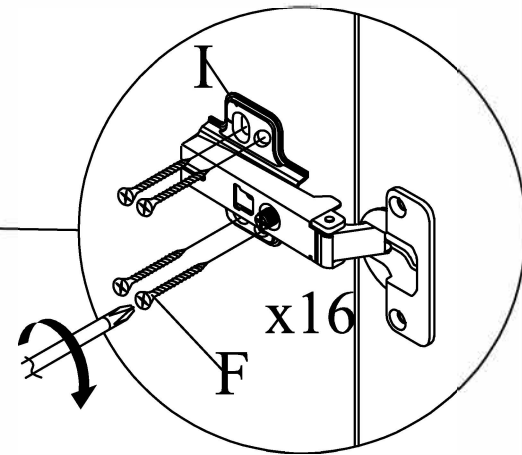
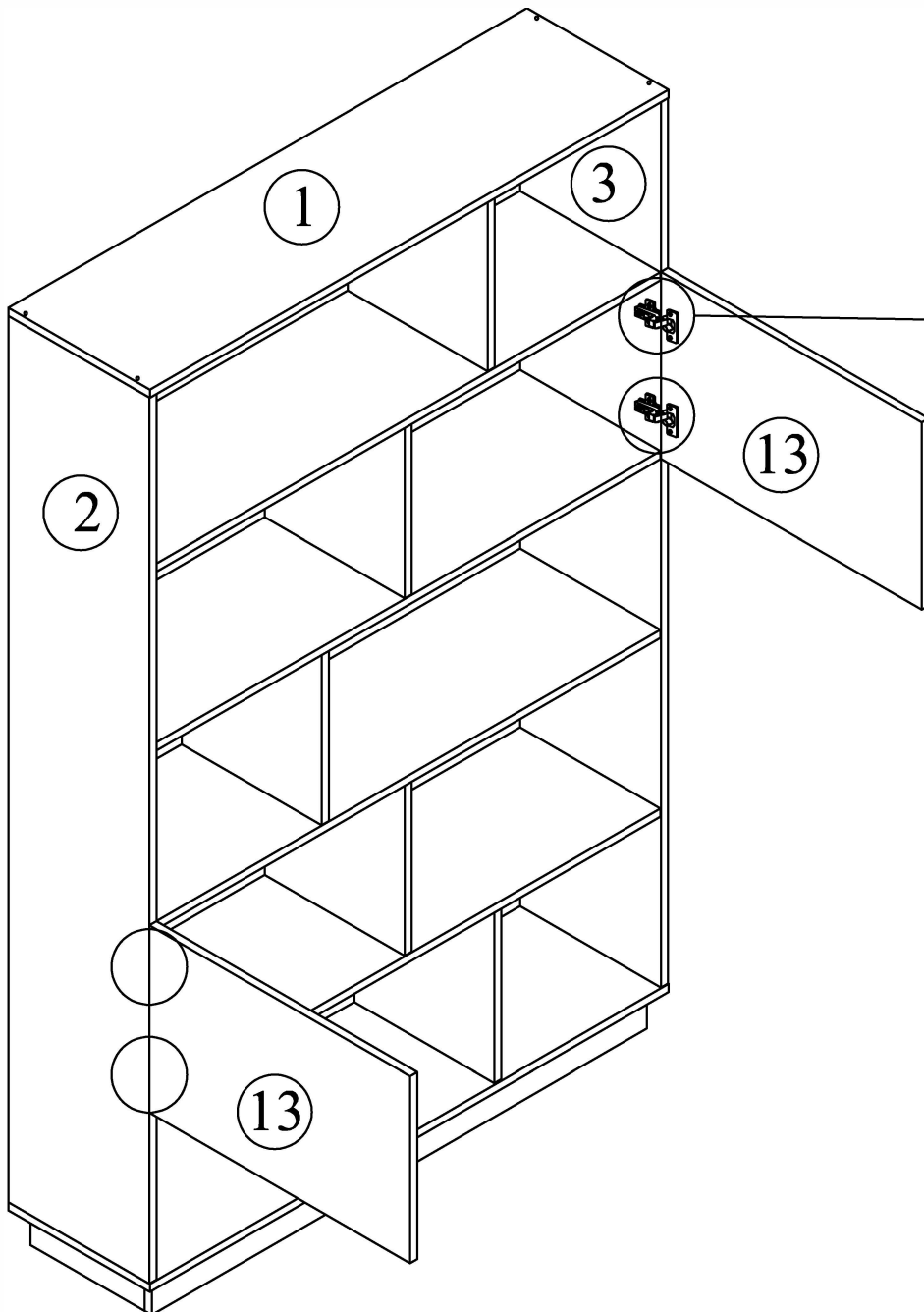
(A) x1	(C) x2	(D) x2	(E) x2	(H) x4
				

JCBC W Screw M6x40

Product Name:	8-Shelf and 2-Cabinet Tall Bookcase with Doors
SKU #:	WHIF2142

Step 18

Attach panels 13 to panel 2/3, tighten hardware F using screwdriver.

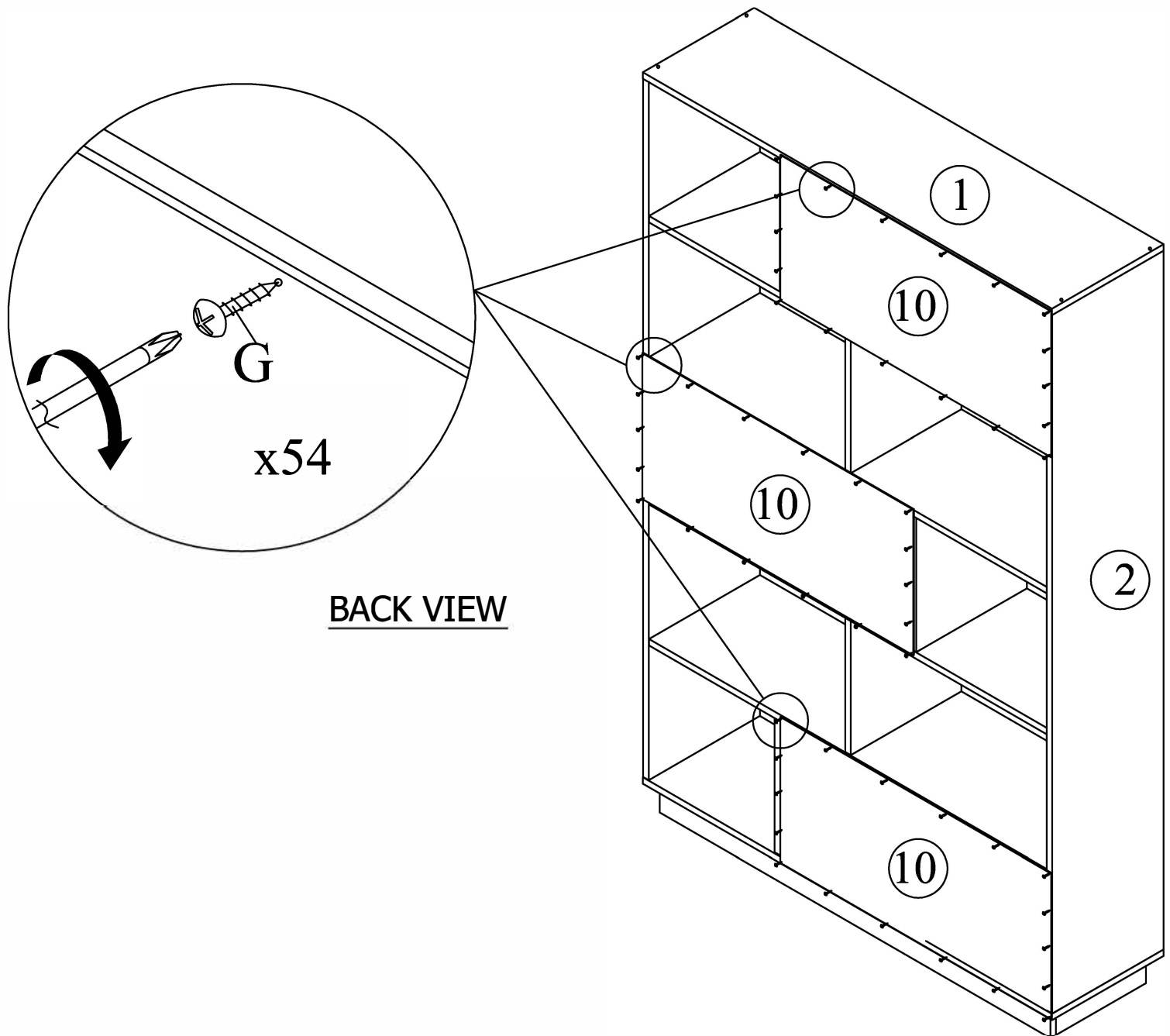


Front to Front Adjustment

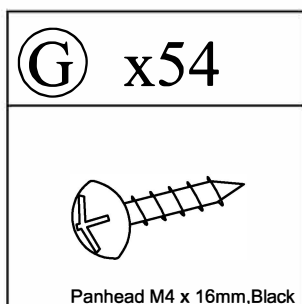
Product Name:	8-Shelf and 2-Cabinet Tall Bookcase with Doors
SKU #:	WHIF2142

Step 19

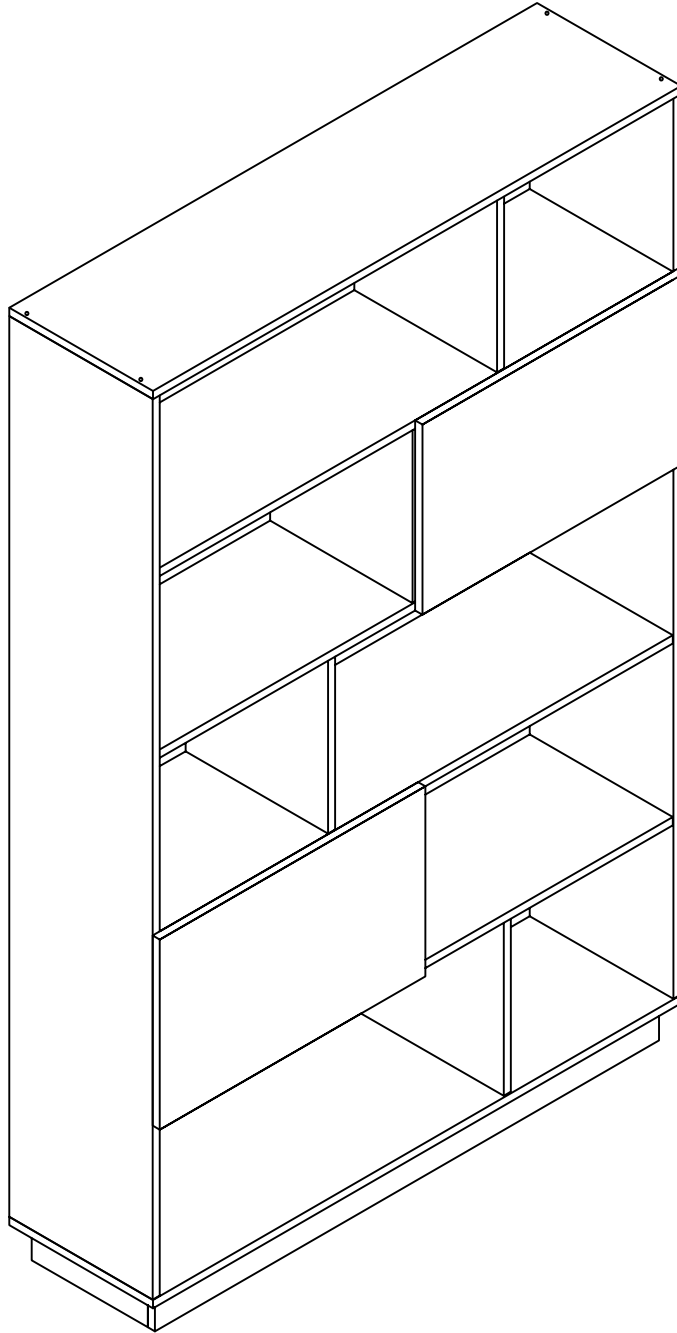
Attach panels 10 as shown, tighten hardware G using screwdriver.





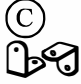

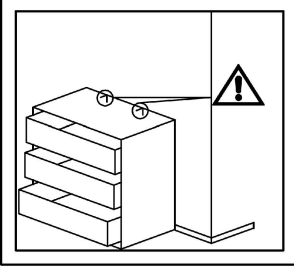
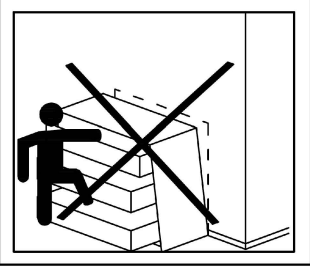
BACK VIEW



Product Name:	8-Shelf and 2-Cabinet Tall Bookcase with Doors
SKU #:	WHIF2142



Product Name:	8-Shelf and 2-Cabinet Tall Bookcase with Doors
SKU #:	WHIF2142

Anti - Tipping					 
	CSK Screw M3.5x16mm 2PC	CSK Screw M4x50mm 2PC	L BRACKET 4PCS	CABLE TIE 2PC	

BACK VIEW

