

## WARNING

- \* Switch off the main electrical supply from the main fuse box / circuit breaker before installation.
- \* Inspect item carefully before attempting to install.
- \* If there is any damages or obvious defects, do not install.
- \* Item may not be returned once it has been installed.


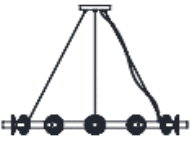





## CARE AND MAINTENANCE

- \* To clean the outside of the fixture, use a dry or slightly dampened clean cloth (use clean water, never a solvent) to wipe the surface of the fixture.
- \* To clean the inside of the fixture, first disconnect power to the fixture by turning off the circuit breaker or by removing the fuse at the fuse box. Next, use a dry or slightly dampened clean cloth (use clean water, never a solvent) to wipe the interior surface of the fixture.
- \* Do not use any cleaners with chemical, solvents or harsh abrasives. Use only a dry soft cloth to dust or wipe carefully.

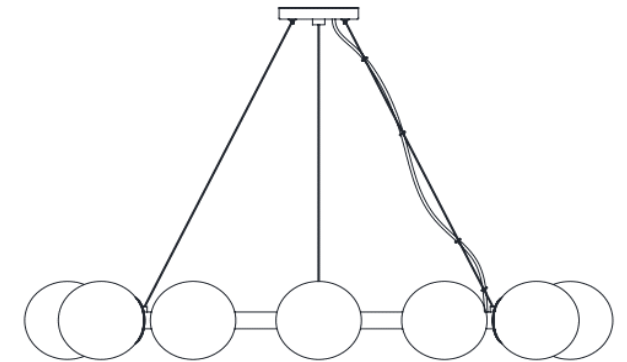
## NOTICE& IMPORTANT SAFETY INSTRUCTIONS

- \*\* WE RECOMMEND INSTALLATION OF THIS LIGHTING FIXTURE BE DONE BY A LICENSED ELECTRICIAN \*\*
- \* Please make sure that you have all parts indicated before you begin assembly of this item
- \* This item should be assembled on a soft surface to prevent scratching the finish during assembly
- \* To reduce the risk of fire, electrical shock or injury to persons or property, please follow the guideline below for safe use and installation
- \*The external flexible cable or cord of this lamp cannot be replaced  
If the cord is damaged, the lamp shall be destroyed

### Part List and Hardware List

PIECE	DESCRIPTION	PICTURE	QUANTITY	PIECE	DESCRIPTION	PICTURE	QUANTITY
A	Mounting Strip		1X	E	Lamp body		1X
B	Outlet box screw		2X				
C	Wire nut		3X	F	Cap nut		1X
D	Bulb		12X	G	Glass shade		12X

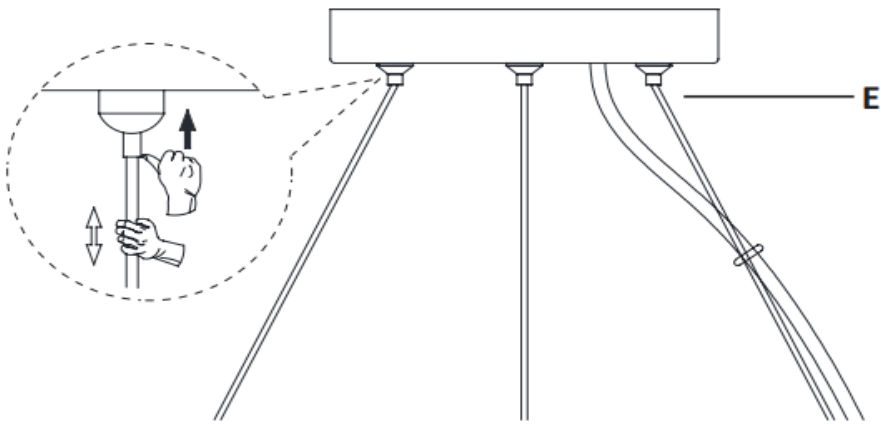
**Product Dimensions: 38"L x 38"W x 6.5-65.5"H**



## PREPARATION

- \* Before beginning assembly of product, make sure all parts are present. Compare parts with package contents list and hardware contents list.
- \* If any part is missing or damaged, do not attempt to assemble the product.
- \* Estimated Assembly Time: 20 minutes.
- \* Tools Required for Assembly (not included): Screwdriver, Junction box
- \* If you are having difficulty, our friendly Customer Care team is always here to help.

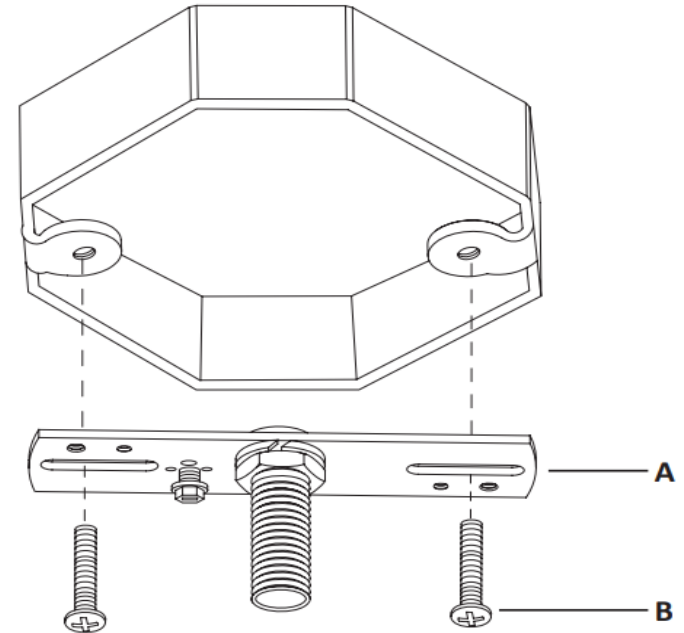
**NOTE: PLEASE USE TYPE "A" BULB MAX 25-WATT OR LED BULB MAX 9-WATT, THERE ARE 2PCS LED 4-WATT BULB IN THE BOX**



**Step 1:** Unpack all parts from cartons carefully.

Press the button under the canopy of the lamp body (E) where the steel wire comes out to adjust the steel wires to the desired length. Release the button to hold the steel wire in position, as shown in the diagram.

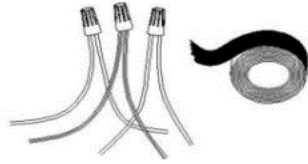
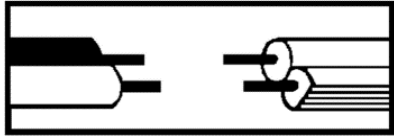
Adjust the fixture wire to the desired length



**Step 2:** Fasten the mounting strip (A) onto the outlet box using two outlet box screws (B).

# PREPARATION

- \* Before beginning assembly of product, make sure all parts are present. Compare parts with package contents list and hardware contents list.
- \* If any part is missing or damaged, do not attempt to assemble the product.
- \* Estimated Assembly Time: 20 minutes.
- \* Tools Required for Assembly (not included): Screwdriver, Junction box
- \* If you are having difficulty, our friendly Customer Care team is always here to help.



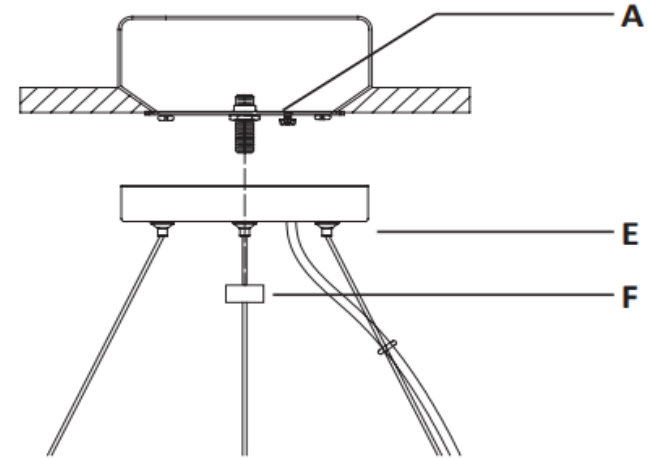
## Step 3: Wire connection

Connect the glossy/live wire (labeled "L") from the fixture to the black wire from the outlet box, then connect the rough/neutral live wire (labeled "N") from the fixture to the white wire from the outlet box.

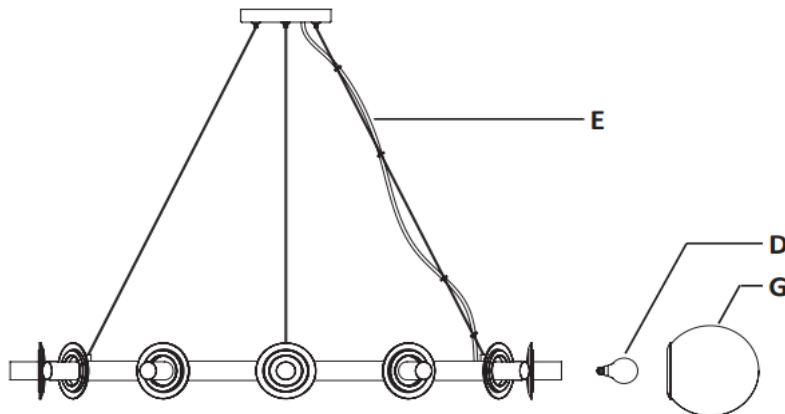
CAUTION: Do not reverse the hot and neutral connections

Grounding Instructions:

Wrap ground wire from outlet box around green ground screw on mounting bracket, no less than 2" from wire end. Tighten ground screw. If fixture is supplied with a ground wire, connect to outlet ground wire with a wire nut



**Step 4:** Place the canopy of the lamp body (E) over the outlet box, let the threaded tube of the mounting strip (A) come through the hole of the canopy, then tighten the cap nut (F) to the protruding threaded tube on the mounting strip (A) until the canopy is held firmly against the ceiling.



**Step 5:** Install the light bulbs (D) into the socket of the lamp body (E). Screw the glass shades (G) onto the socket of the lamp body (E). Do not overtighten. Adjust the wire clip onto the steel wire to the desired position