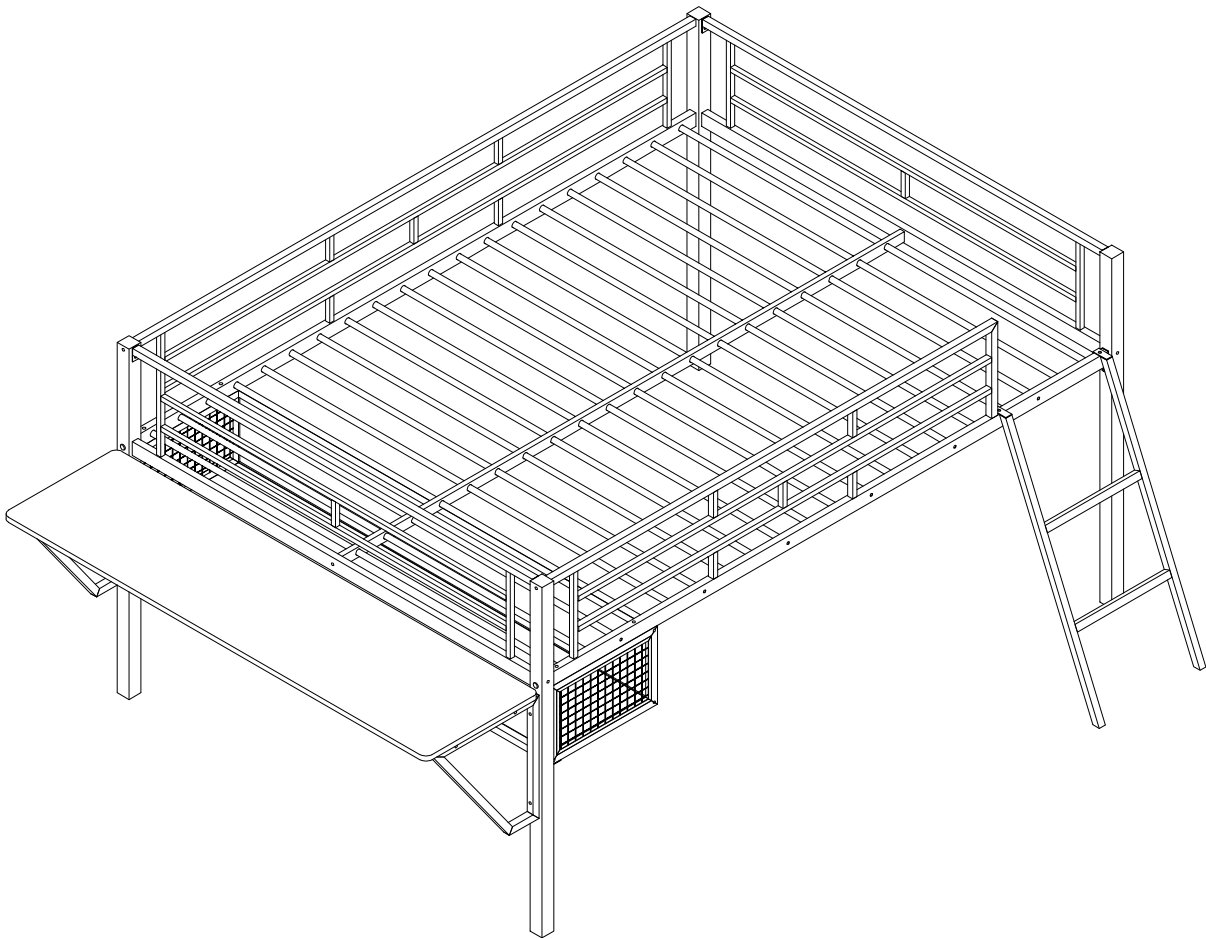
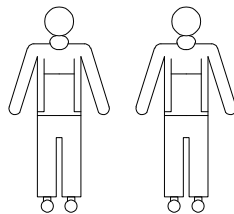
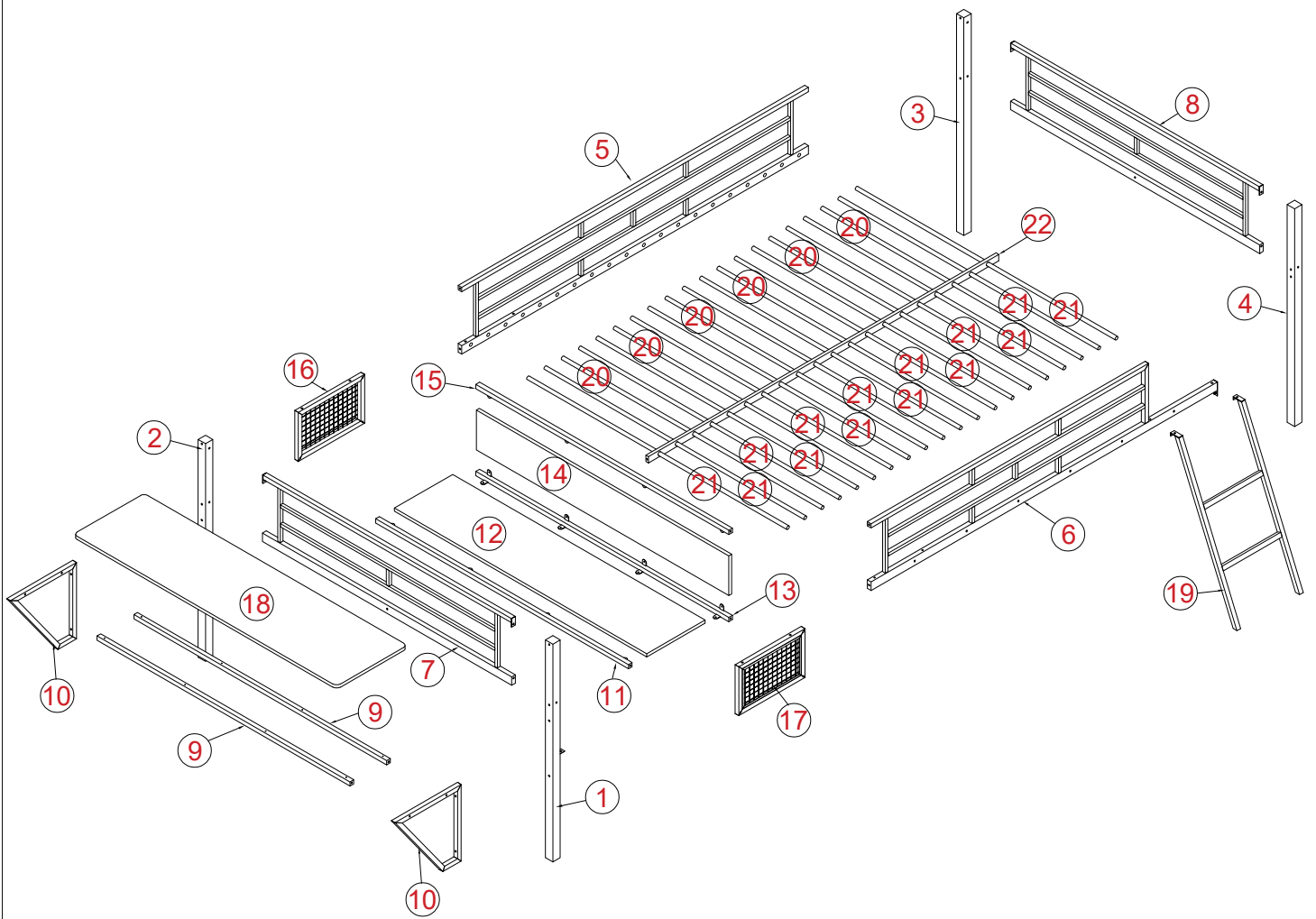


ASSEMBLY INSTRUCTION


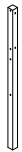

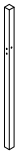
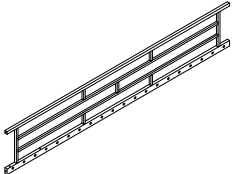
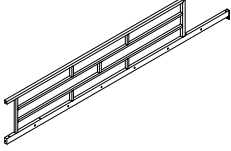
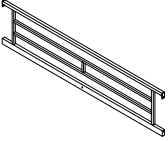
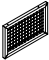
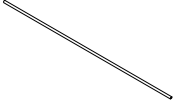
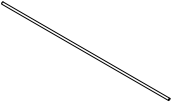



Minimum no. 2 of people
recommended to assemble
this product: Approx.
assembly time: 60 mins





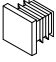
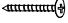
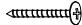
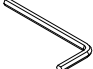









PART LIST

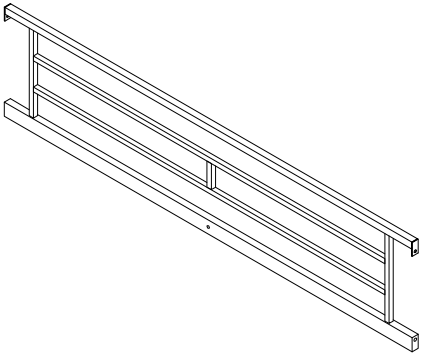
<p>1</p>  <p>1PC</p>	<p>2</p>  <p>1PC</p>	<p>3</p>  <p>1PC</p>
<p>4</p>  <p>1PC</p>	<p>5</p>  <p>1PC</p>	<p>6</p>  <p>1PC</p>
<p>7</p>  <p>1PC</p>	<p>16</p>  <p>1PC</p>	<p>20</p>  <p>6PCS</p>
<p>21</p>  <p>14PC</p>	<p>22</p>  <p>1PC</p>	

HARDWARE LIST

<p>A</p>  <p>M$\frac{1}{4}$"X50 16PCS</p>	<p>B</p>  <p>M$\frac{1}{4}$"X35 16PCS</p>	<p>C</p>  <p>M$\frac{1}{4}$"X15 22PCS</p>	<p>D</p>  <p>#40x40x13 4PCS</p>
<p>E</p>  <p>#20x20x13 2PCS</p>	<p>F</p>  <p>M4x15 16PCS</p>	<p>G</p>  <p>M4x30 8PCS</p>	<p>H</p>  <p>M4X23X57 1PC</p>
<p>i</p>  <p>30x50x95 1PC</p>	<p>J</p>  <p>22x35x50 1PC</p>	<p>K</p>  <p>5x13x3700 1PC</p>	<p>L</p>  <p>remote control 1PC</p>
<p>M</p>  <p>20x25x35 2PCS</p>			

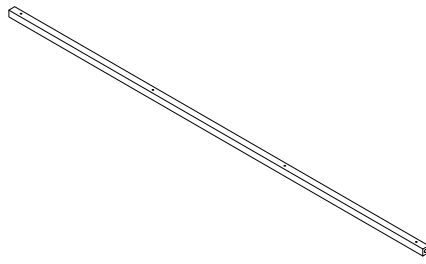
PART LIST

8



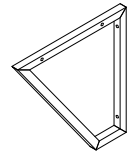
1PC

9



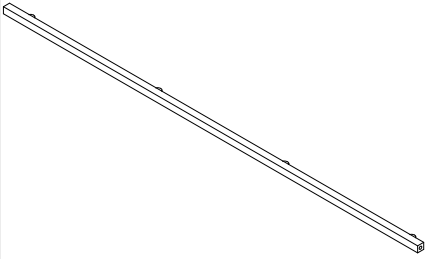
2PCS

10



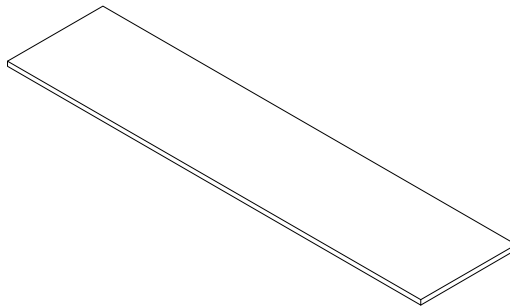
2PCS

11



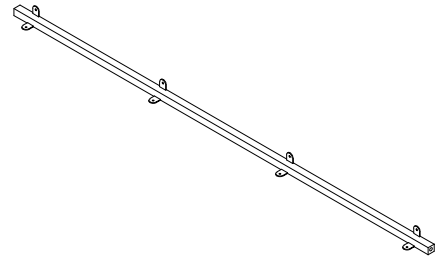
1PC

12



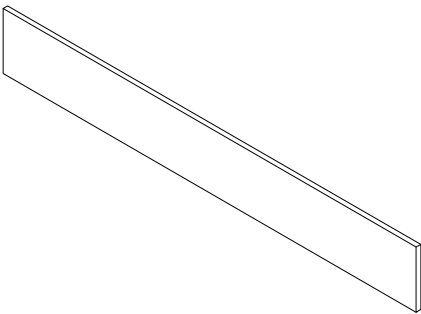
1PC

13



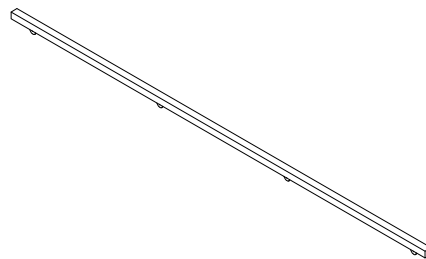
1PC

14



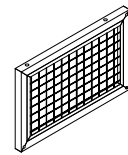
1PC

15



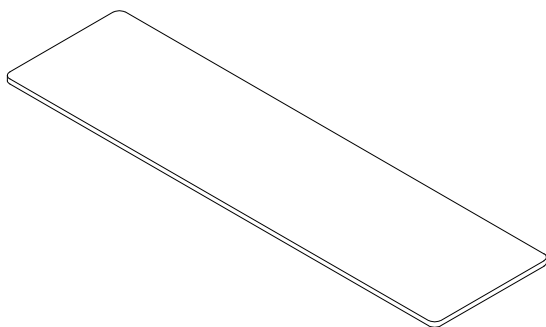
1PC

17



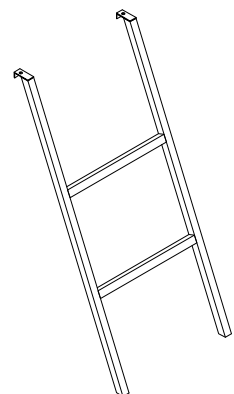
1PC

18






1PC

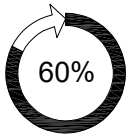
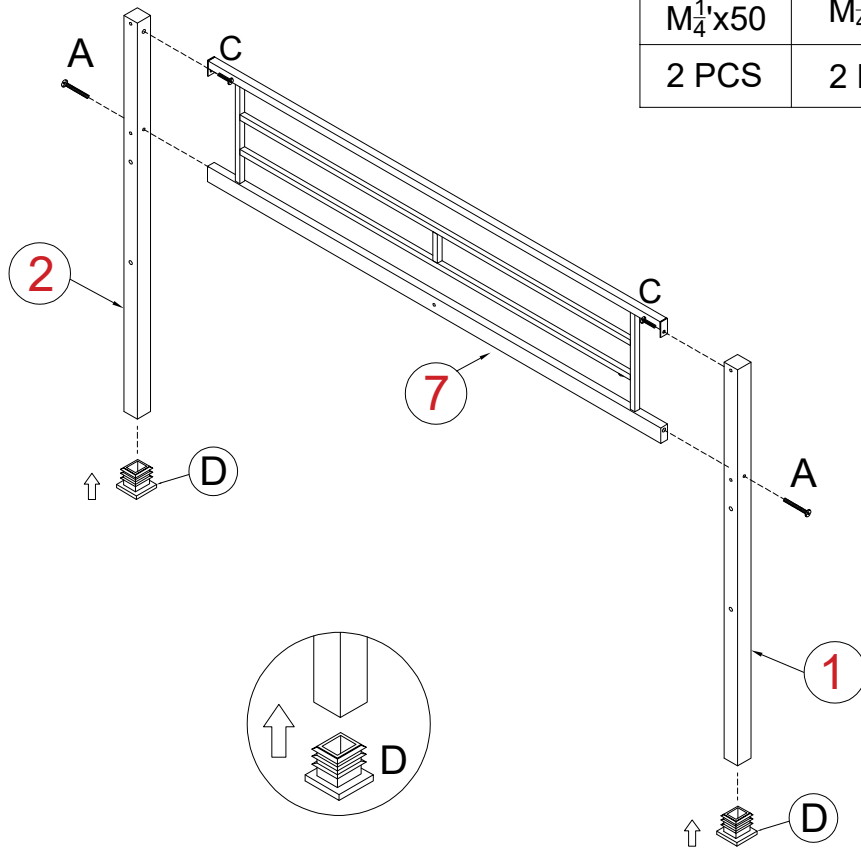
19






1PC

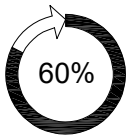
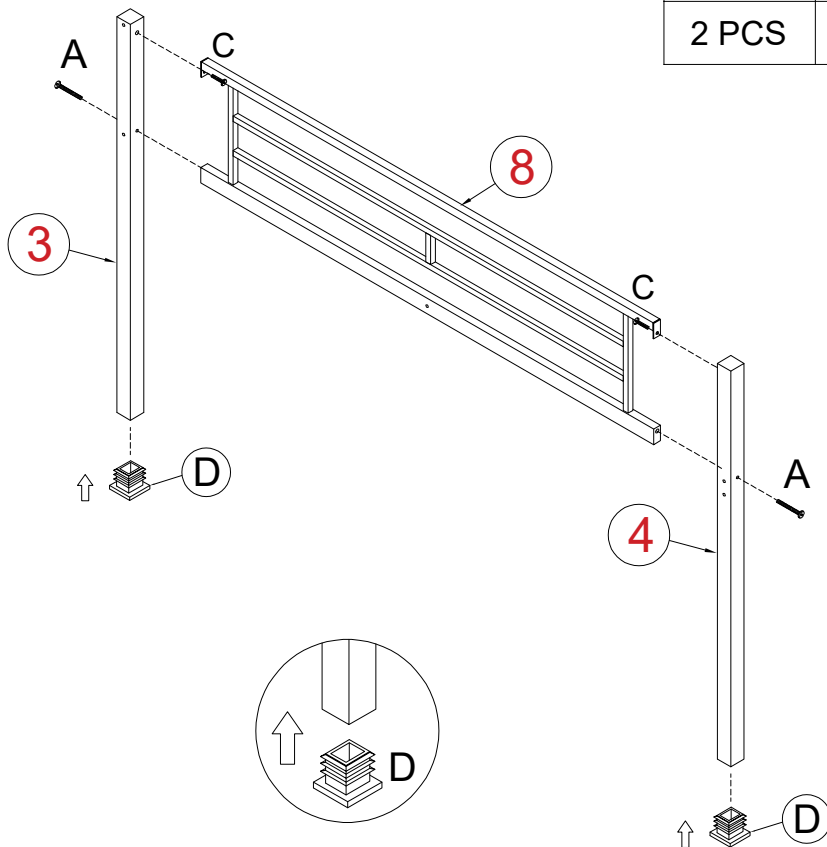
STEP 1

A	C	D
 M $\frac{1}{4}$ "x50	 M $\frac{1}{4}$ "x15	 #40x40x13
2 PCS	2 PCS	2 PCS



STEP 2

A	C	D
 M $\frac{1}{4}$ "x50	 M $\frac{1}{4}$ "x15	 #40x40x13
2 PCS	2 PCS	2 PCS



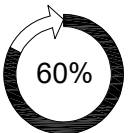
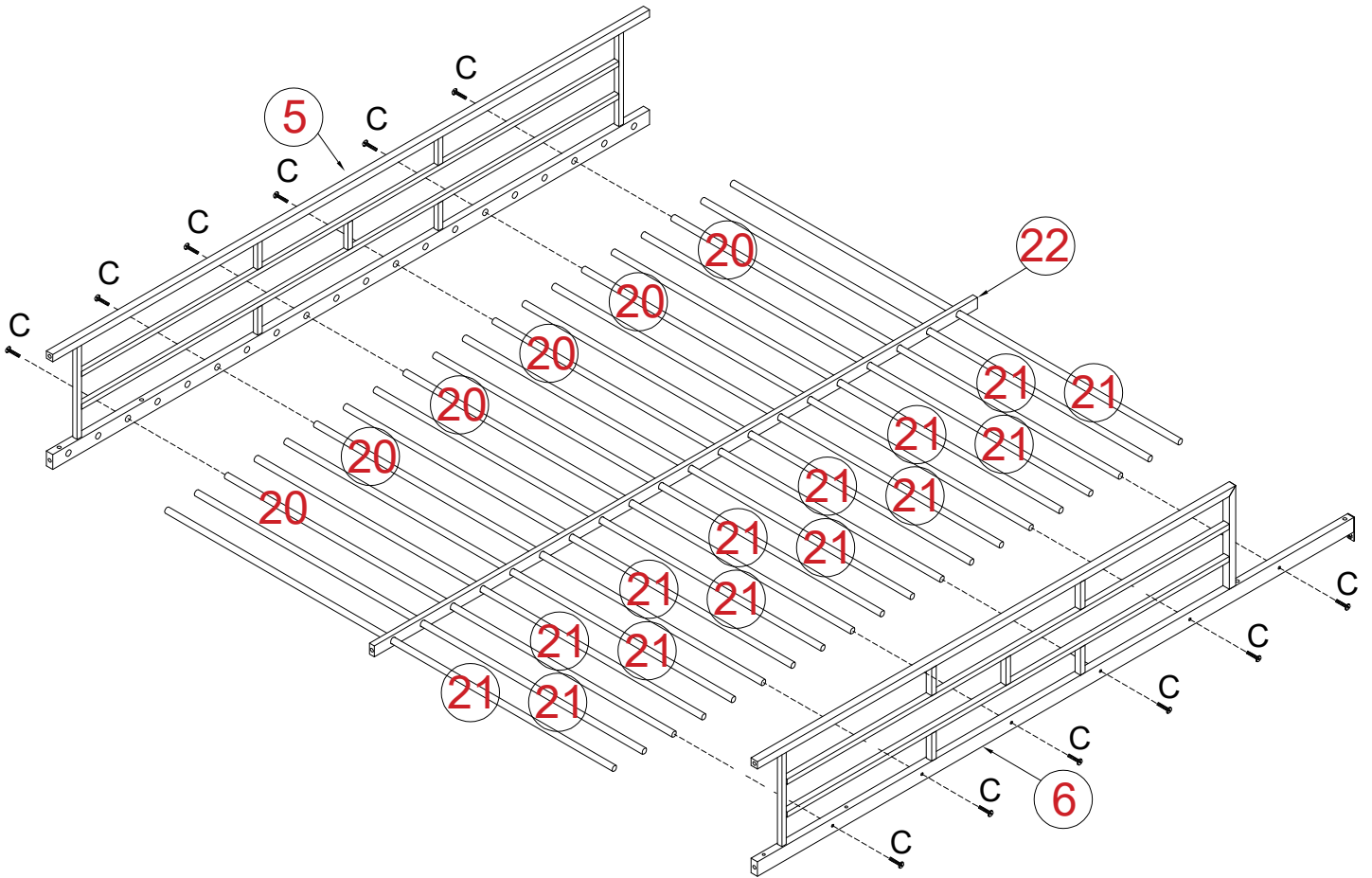
STEP 3

C





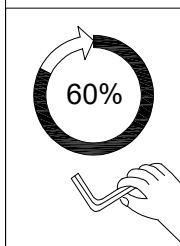
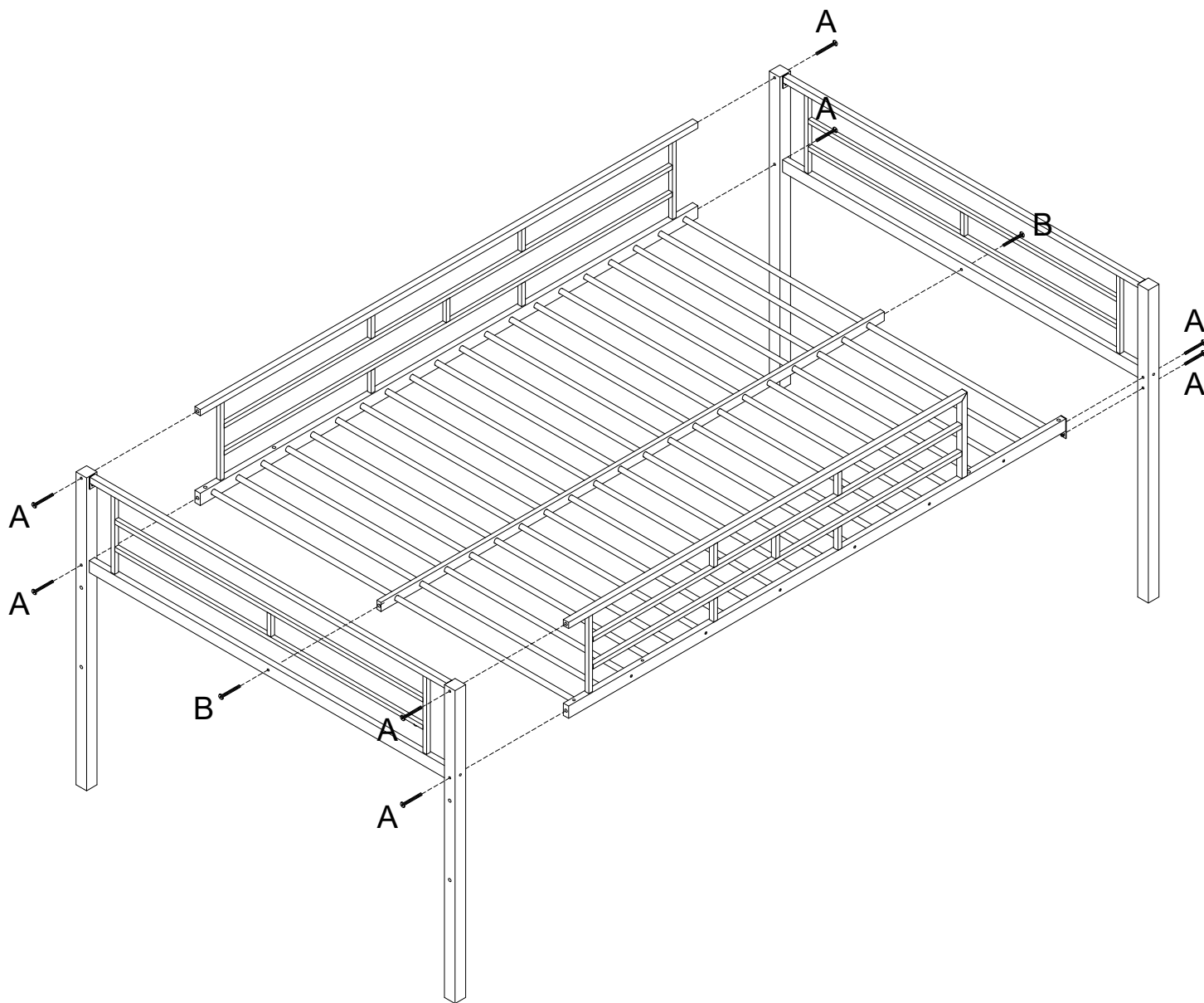
M $\frac{1}{4}$ x15

12 PCS

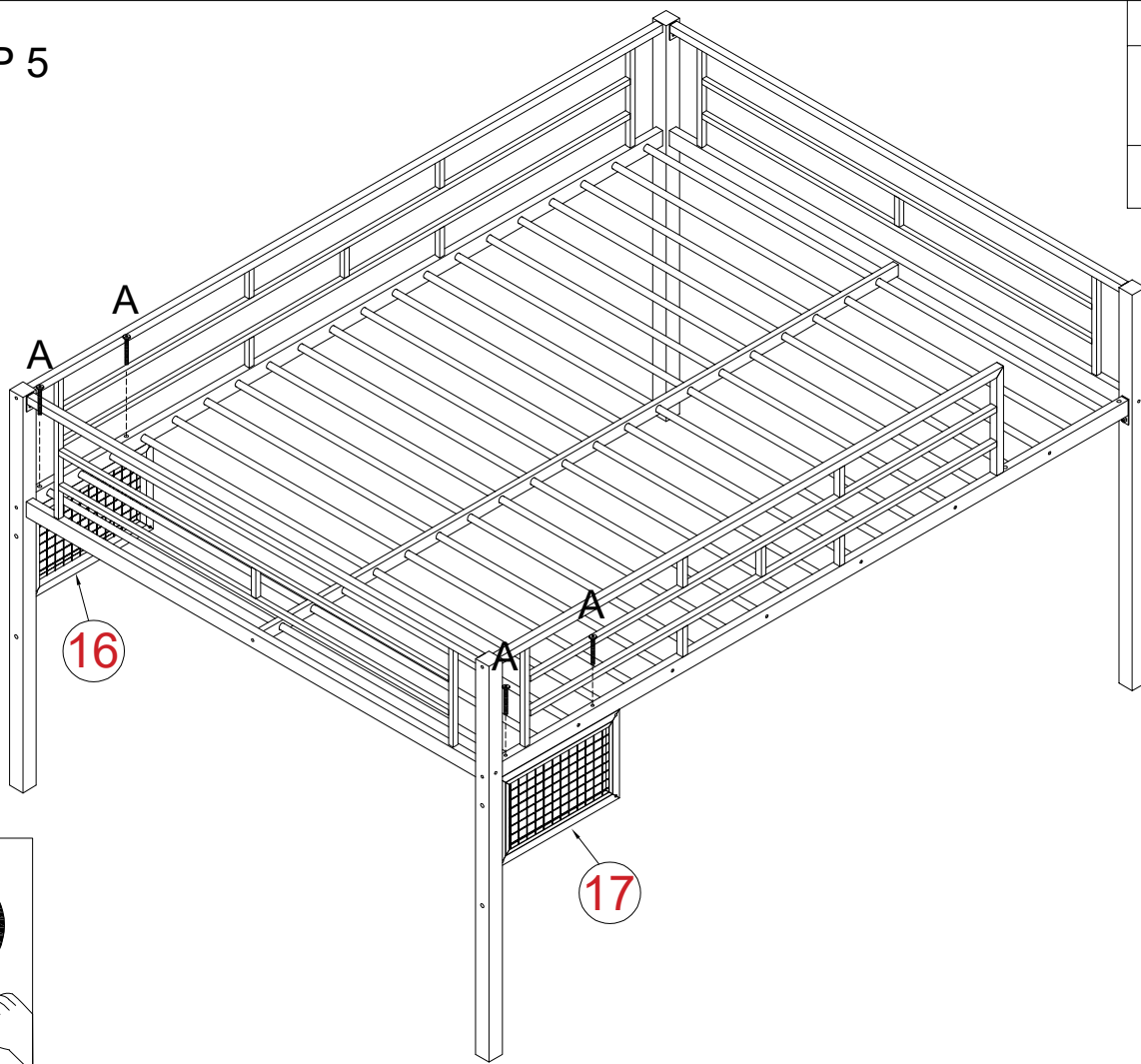


STEP 4

A	B
 M $\frac{1}{4}$ "x50	 M $\frac{1}{4}$ "x35
8 PCS	2 PCS



STEP 5



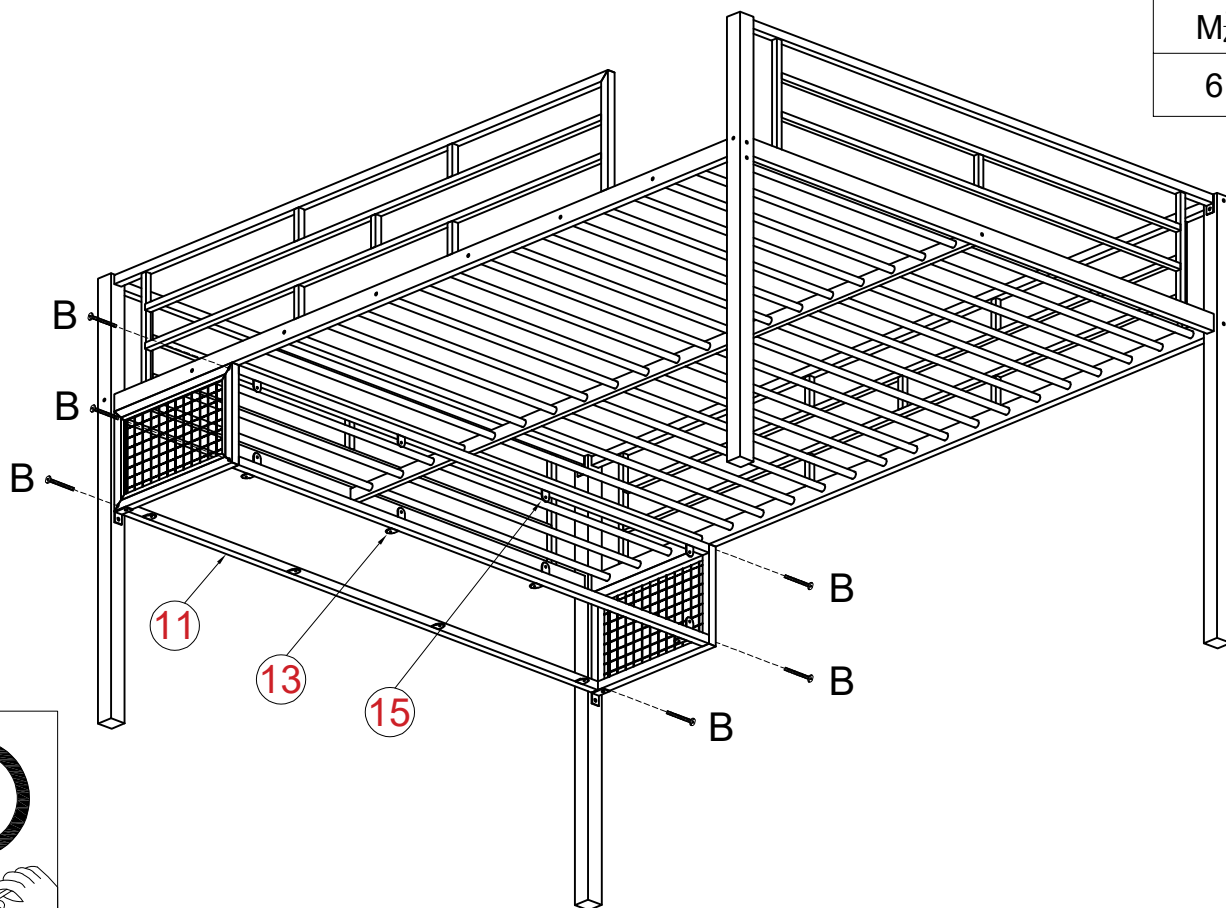
A



M $\frac{1}{4}$ 'x50

4 PCS

STEP 6





B

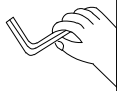
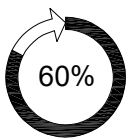
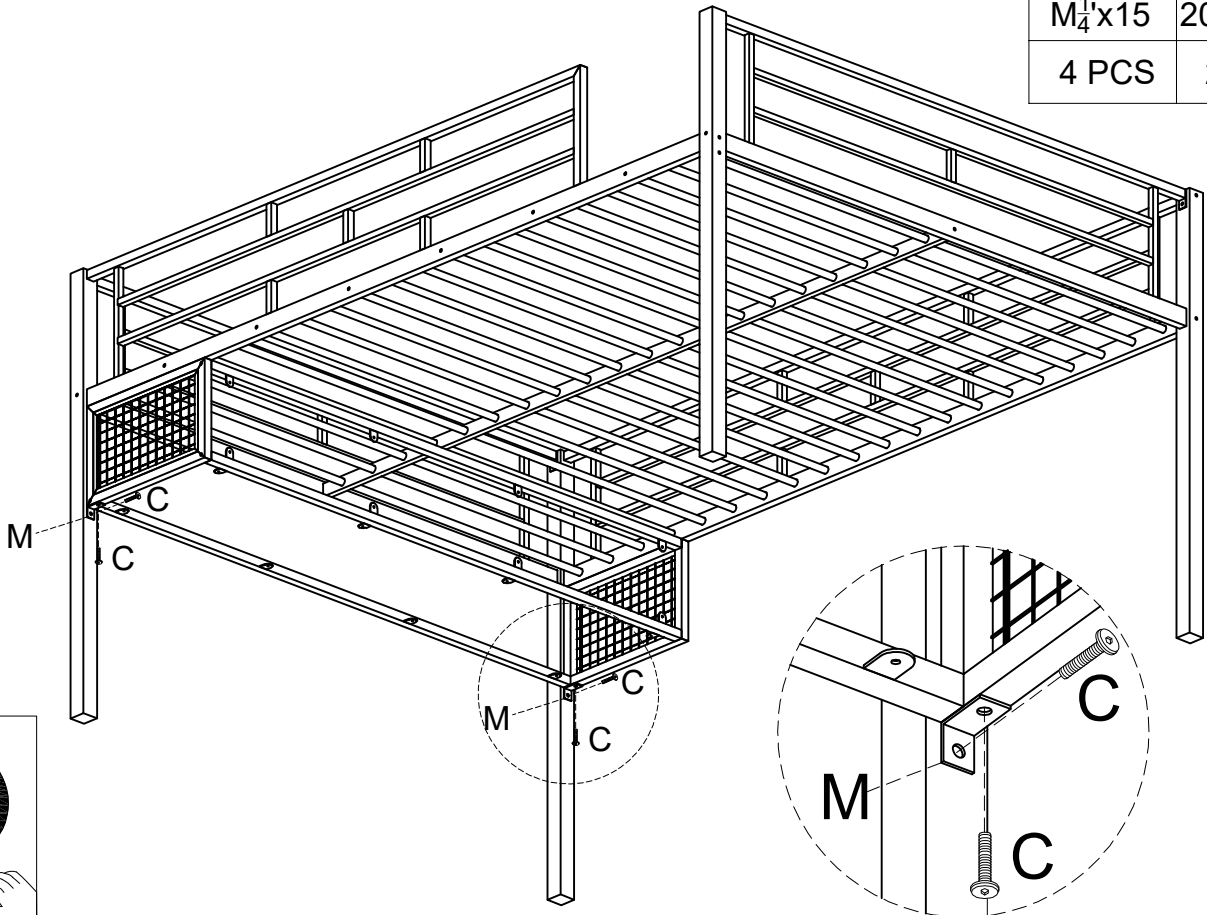


M $\frac{1}{4}$ 'x35

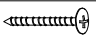
6 PCS

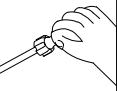
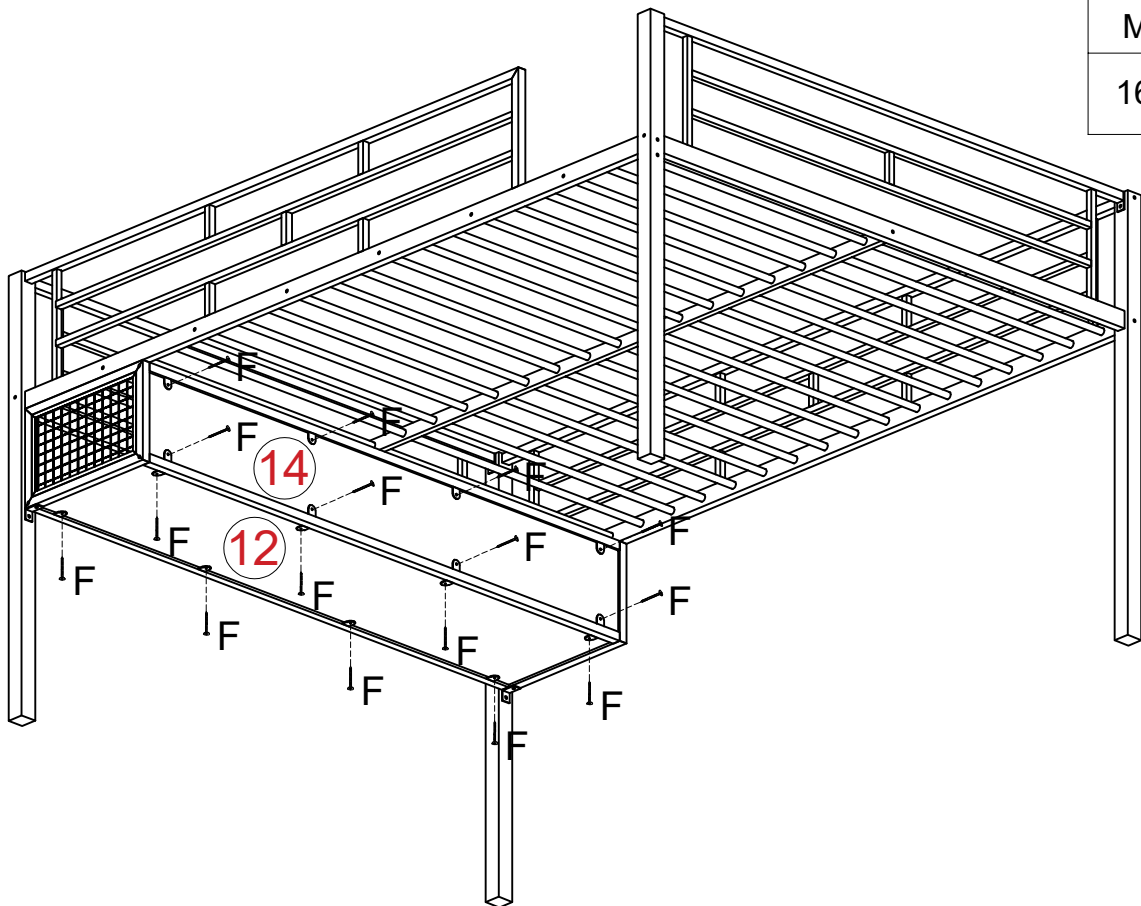
STEP 7

C	M
	
M $\frac{1}{4}$ x15	20x25x35
4 PCS	2 PCS



STEP 8

F

M4x15
16 PCS



STEP 9

B



M $\frac{1}{4}$ 'x35

4 PCS

10

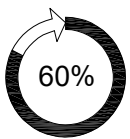
B

B

10

B

B



60%



STEP 10

B



M $\frac{1}{4}$ 'x35

4 PCS

B

B

B

9

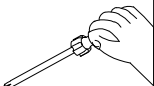
9

B

B



360°

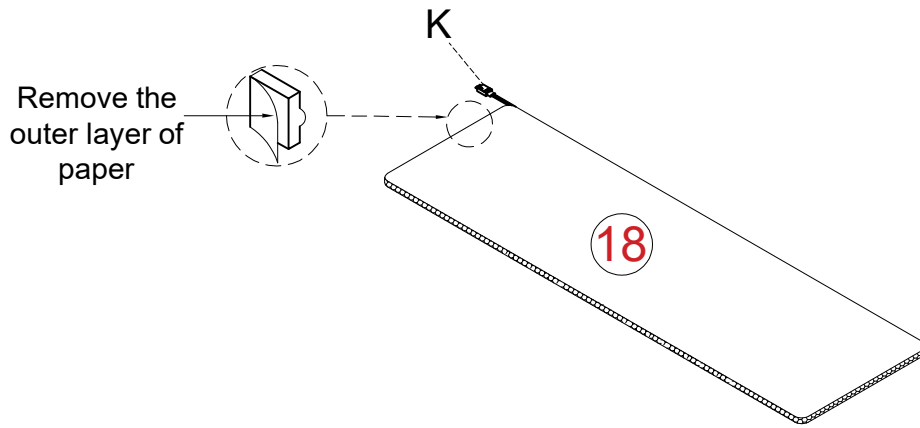


STEP 11

K

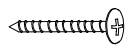
5x13x2915

1PC



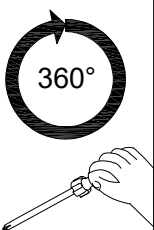
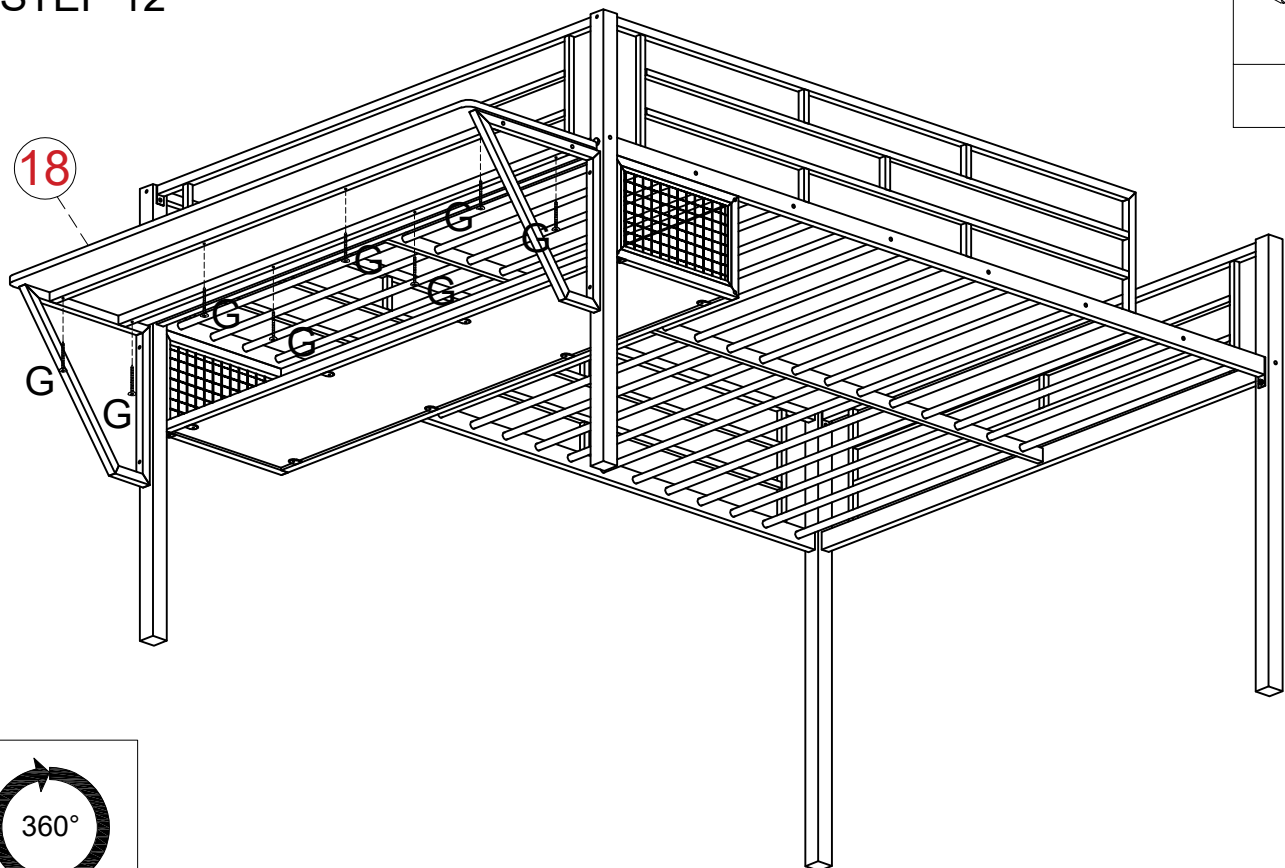
STEP 12

G


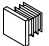


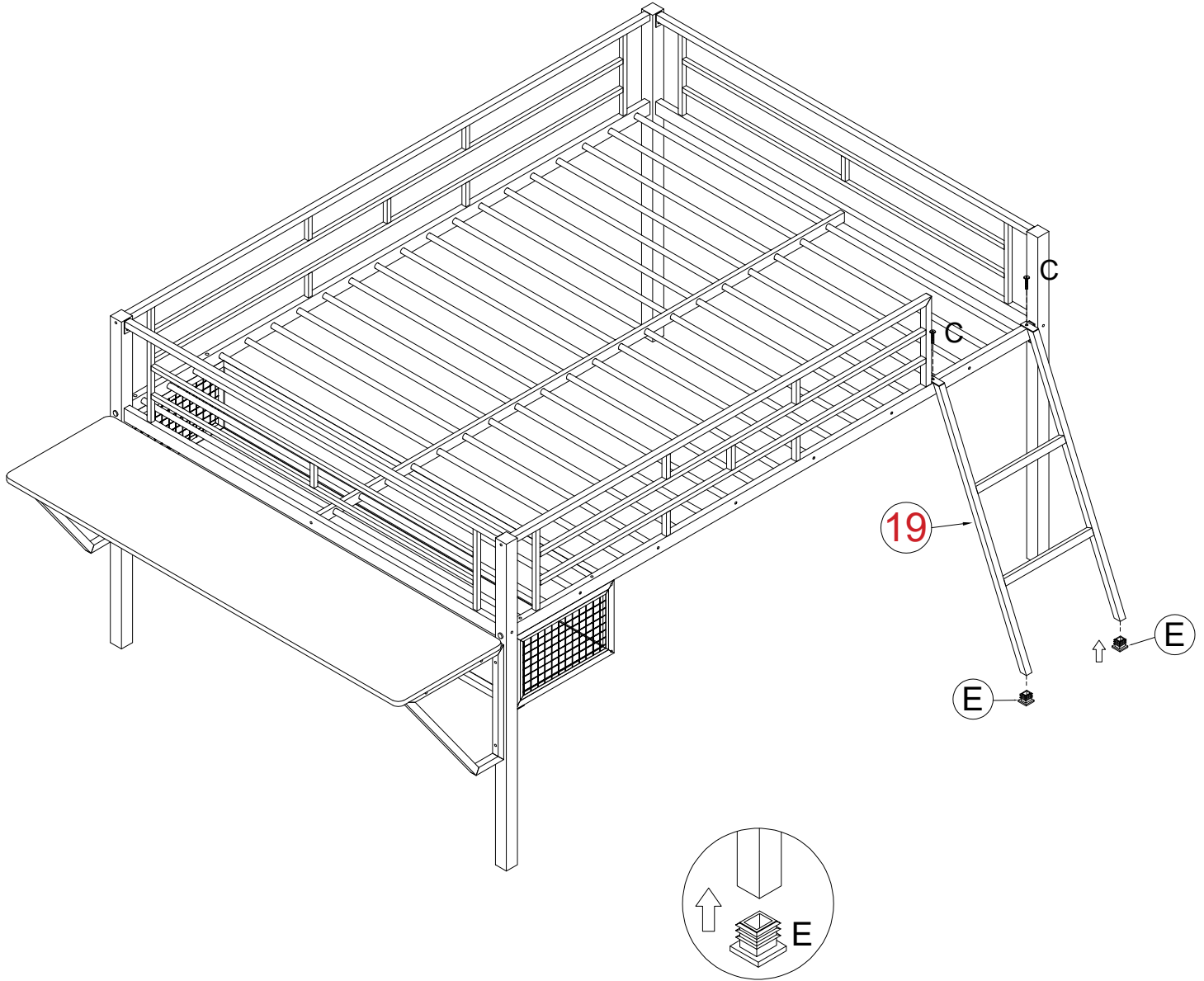
4x30

8 PCS



STEP 13

C	E
 M $\frac{1}{4}$ "x15	 #20x20x13
2 PCS	2 PCS



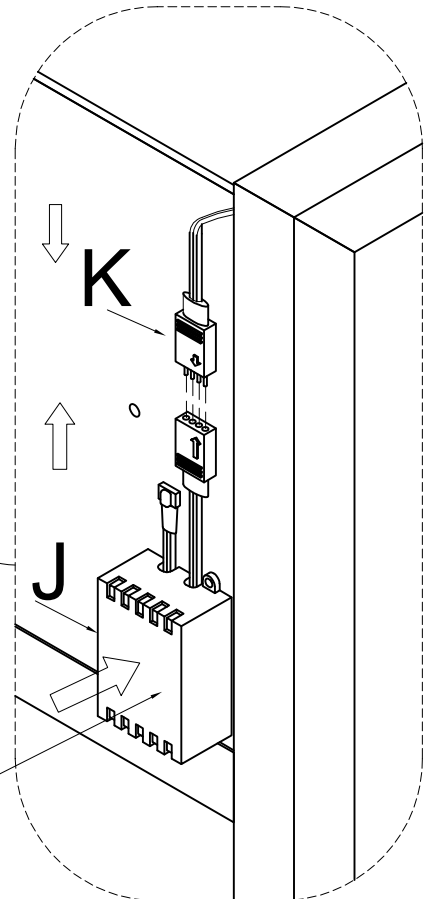
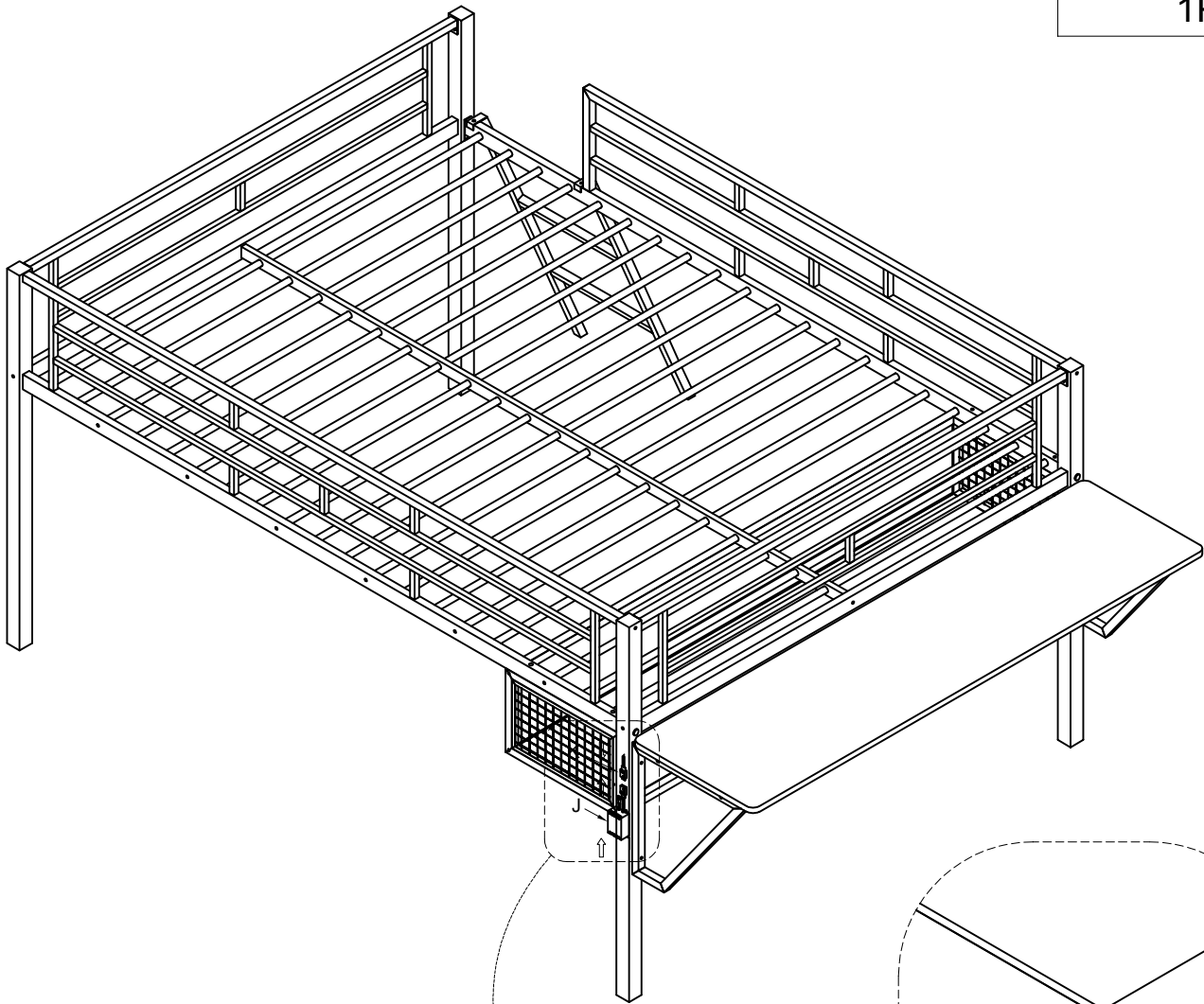
STEP 14

J

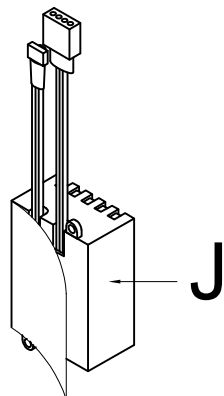


22x35x50

1PC

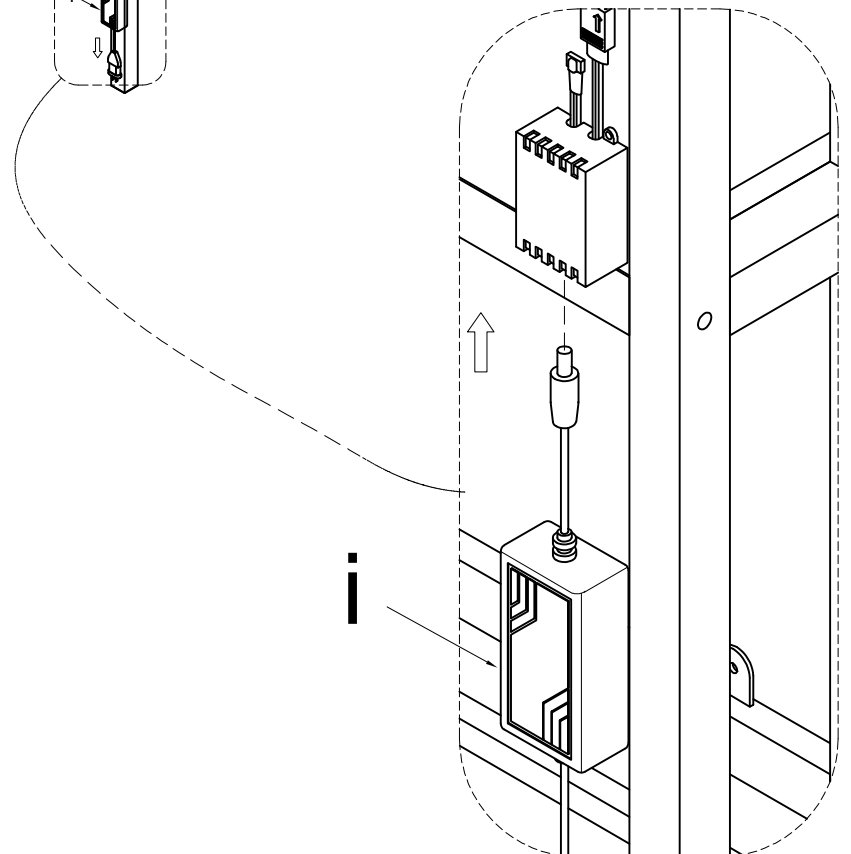
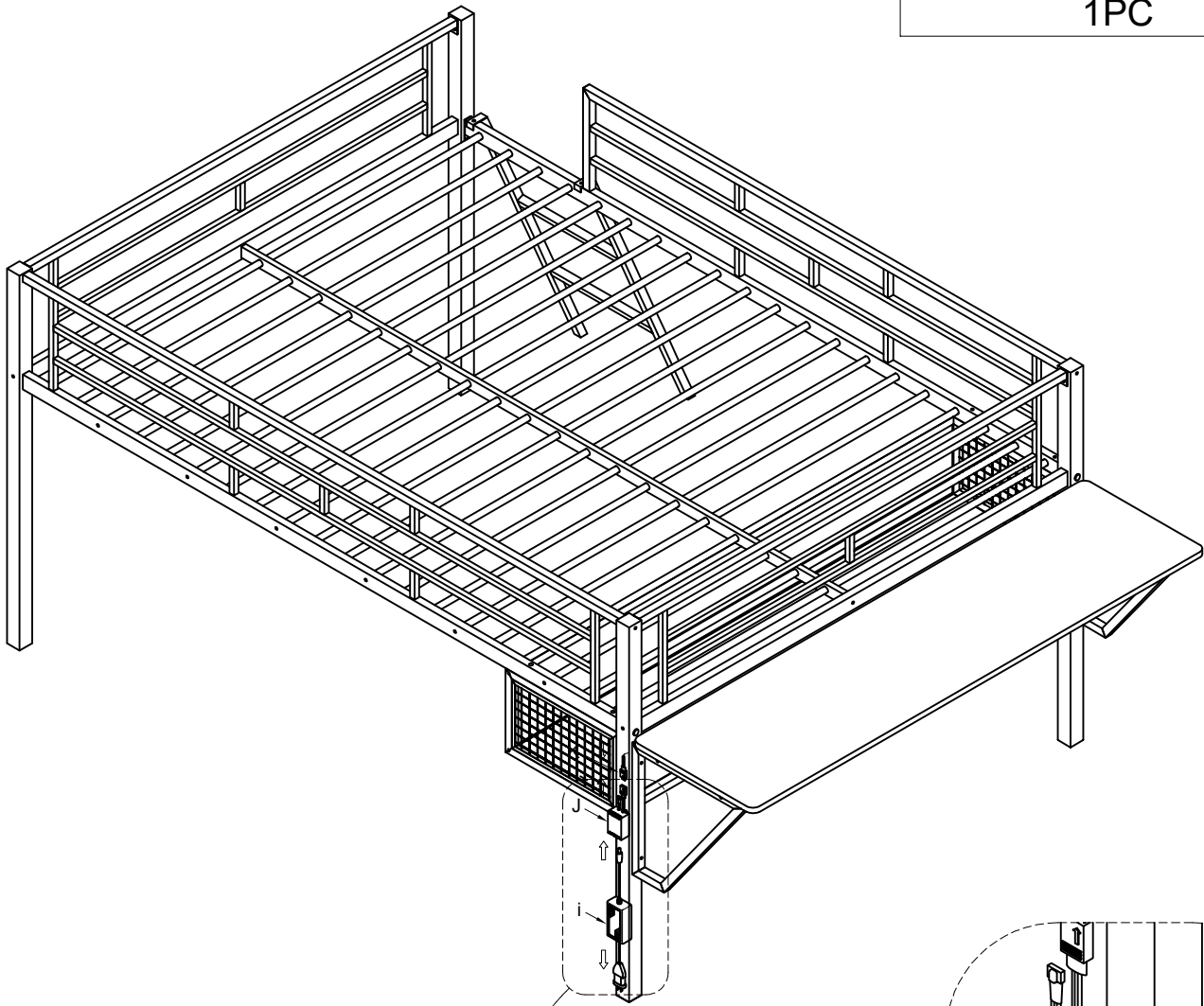
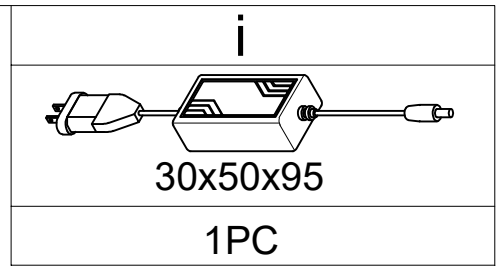


Remove the
outer layer of
paper



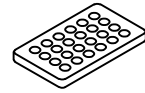
Stick it to the
back plate

STEP 15



STEP 16

L



remote control

1PC

