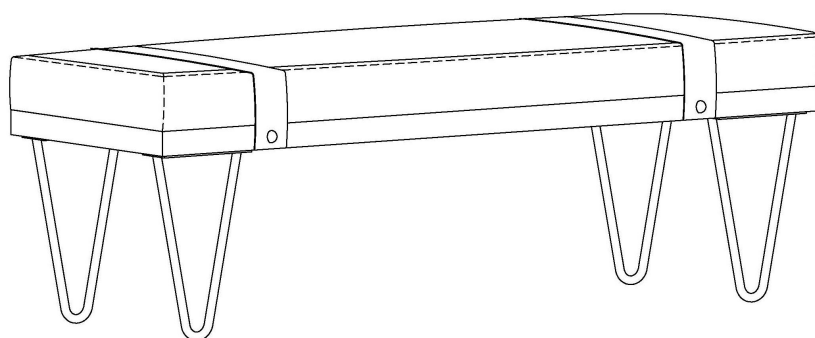


ASSEMBLY INSTRUCTIONS



Bench

ASSEMBLY INSTRUCTIONS

ASSEMBLY TIPS:

1. Remove hardware from box and sort by size.
2. Please check to see that all hardware and parts are present prior to start of assembly.
3. Please follow attached instructions in the same sequence as numbered to assure fast & easy assembly.



WARNING

1. Don't attempt to repair or modify parts that are broken or defective. Please contact the store immediately.
2. This product is for home use only and not intend for commercial establishments.



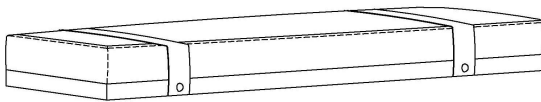
ASSEMBLY TIME

20 MINUTES

PARTS IDENTIFICATION

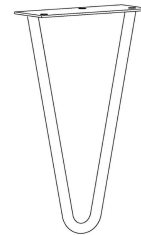
A TOP

1PC



B LEG

4PCS



HARDWARE IDENTIFICATION

1 BOLT
1/4"x1"



12PCS

2 WASHER
1/4"



12PCS

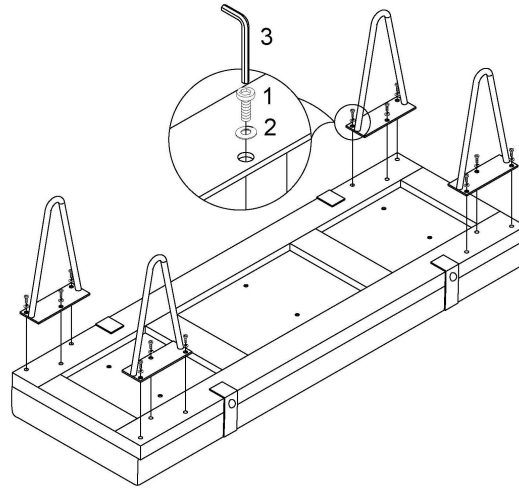
3 ALLEN KEY
4mm






1PC

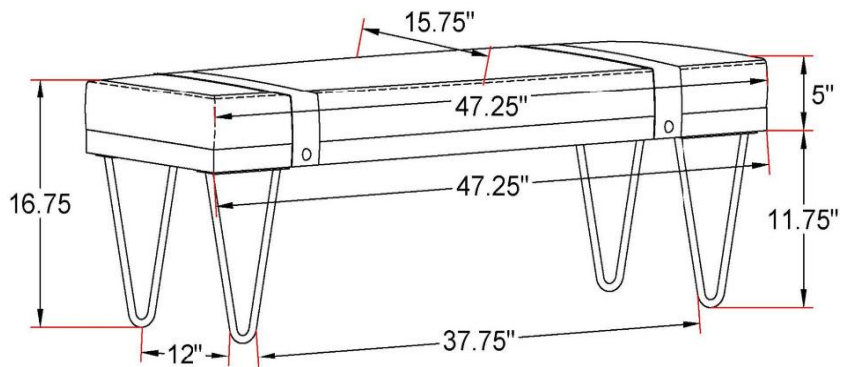
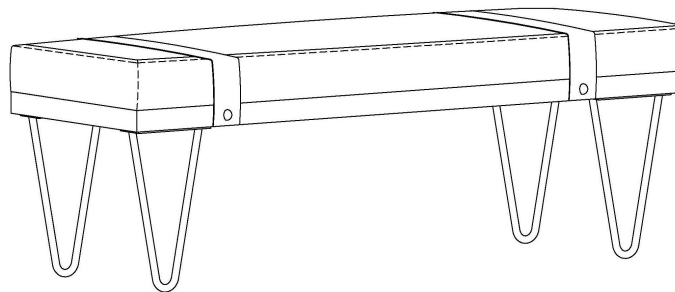
ASSEMBLY INSTRUCTIONS

STEP 1



1		12PCS
2		12PCS
3		1PC

STEP 2 COMPLETE



Note: Dimension tolerance $\pm 5\%$