

## USE AND MAINTENANCE

Use on level surfaces only  
 Because this product needs assembly, it is prone to working itself loose from time to time depending on the use. Please take the time to check that all connections are still tight and working properly  
 Only clean using a damp cloth and mild detergent, do not use bleach or abrasive cleaners.

# Tall & Large 4 Perch Cat Tower

### PART LIST



1 - Cattery x2



2 - Cattery x2



3 - Supporting Plate x1



4 - Cat Tree x1



5 - Front Supporter x1



6 - Rear Supporter x4



7 - Second Rear Supporter x1

### HARDWARE



A - Screw x 2



B - Screw x 6



C - Hex Screwdriver x 1



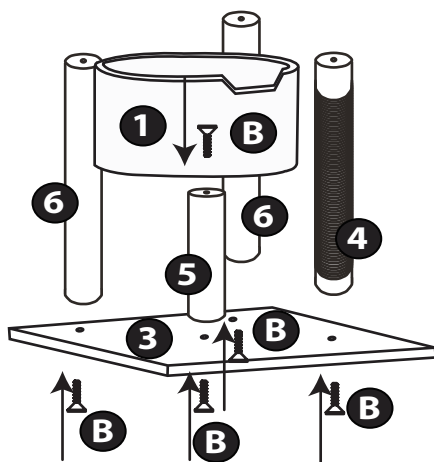
D - Screw x 3



F - Supporter x 2

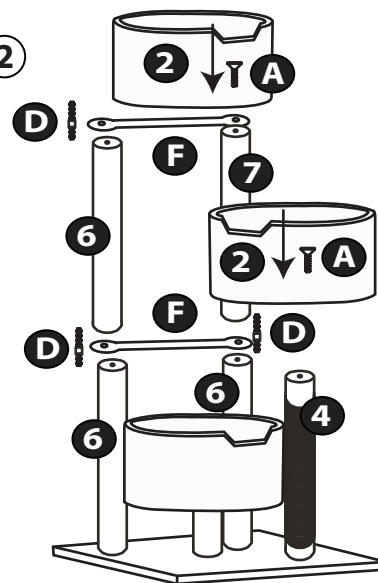
## Assembly Instructions

1



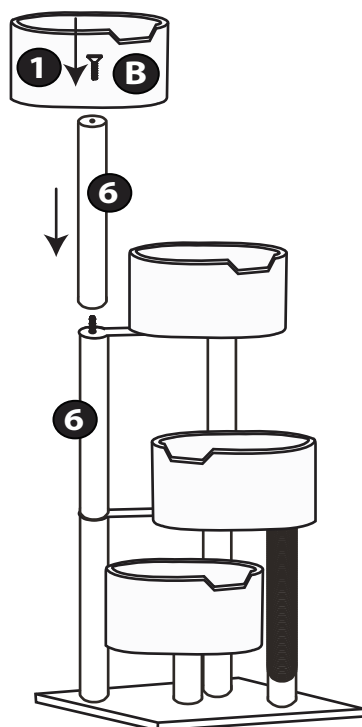
1. Select 1x1, 3x1, 4x1, 5x1, 6x2, Bx5. Insert 4x1, 5x1, and 6x2 into the 3 with Bx4. Insert the 1 into the Top of the 5 with the B x1.

2



2. Insert the 2 into the top of the 4 with A x1. Install the 6 into the 6 with one side of F x1 and D x1. Repeat for the 7 and the other 6. Insert the second F into the top of the 6 with D. Install the 2 into the 7 with the D and A.

3



3. Insert the Fourth 6 into the Third 6 with the F and D. Install the 1 into the top of the Fourth 6 with B.

Congratulations! Setup of your new Tall & Large 4 Perch Cat Tower is Complete!

