

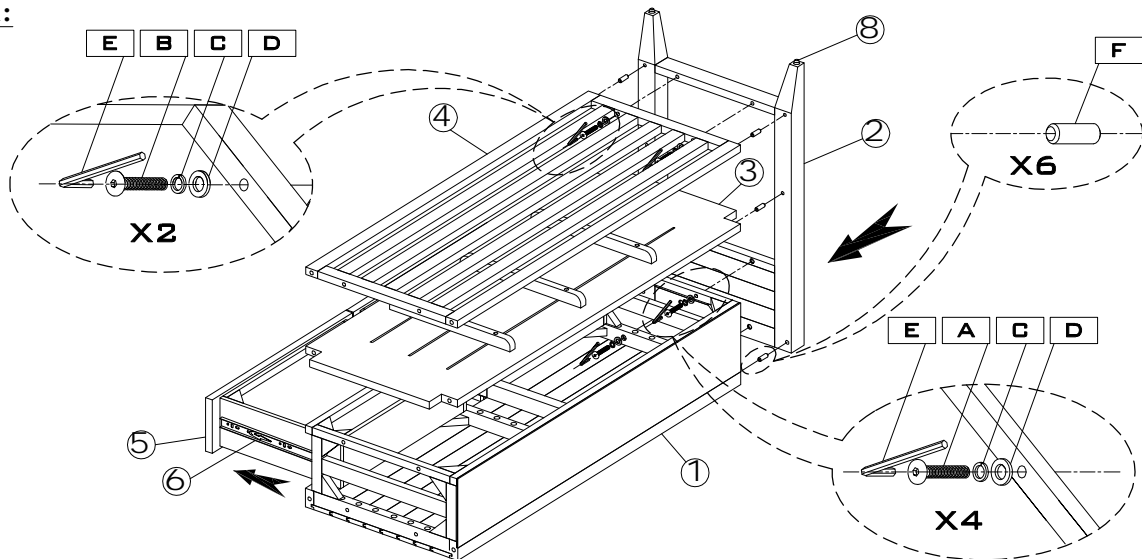
# ASSEMBLY INSTRUCTION

Thank you for purchasing this quality product. Be sure to check all packing material carefully for small parts that may have come loose inside the carton during shipment.

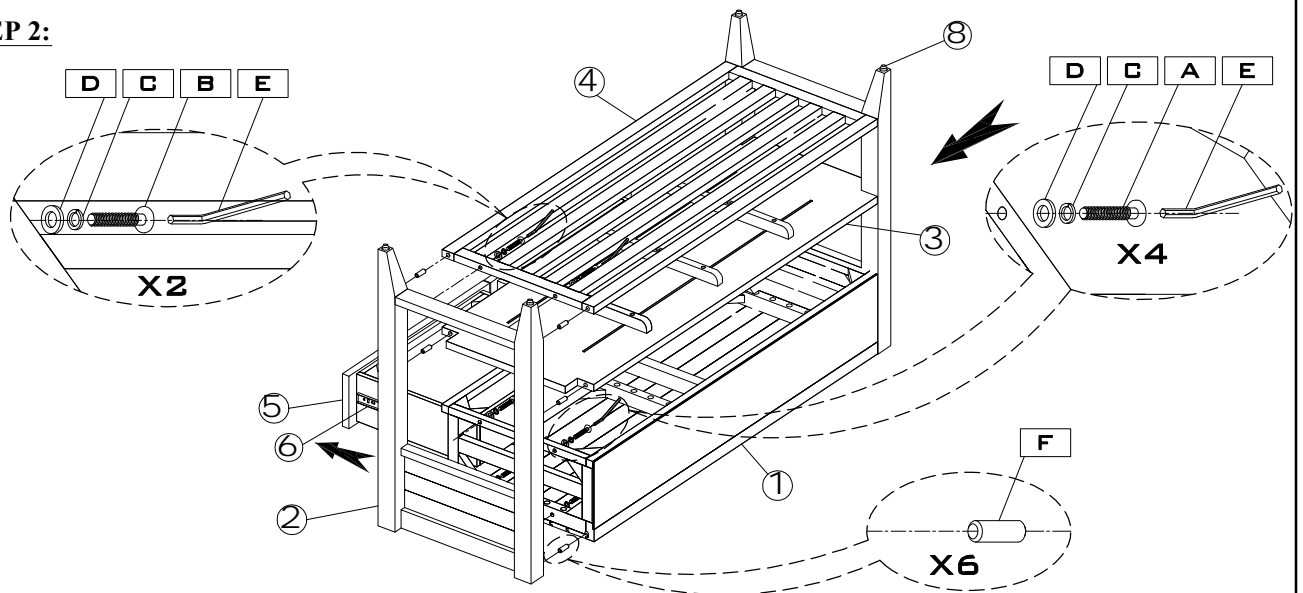
| Hardware kit |             |                         |        |
|--------------|-------------|-------------------------|--------|
| No           | Description |                         | Qty    |
| A            |             | Bolt M6x40mm Top Bolt   | 8 Pcs  |
| B            |             | Bolt M6x50mm Shelf Bolt | 4 Pcs  |
| C            |             | Lock Washer             | 12 Pcs |
| D            |             | Flat Washer             | 12 Pcs |
| E            |             | Allen key               | 1 Pc   |
| F            |             | Dowel                   | 12 Pcs |

| Key Parts |                      |        |
|-----------|----------------------|--------|
| No        | Description          | Qty    |
| 1         | STORAGE BOX          | 1 Pc   |
| 2         | LEG ASSEMBLY         | 2 Pcs  |
| 3         | UPPER SHELF          | 1 Pc   |
| 4         | LOWER SHELF          | 1 Pc   |
| 5         | DRAWER COMPLETE      | 2 Pcs  |
| 6         | FULL EXTENSION GLIDE | 2 Sets |
| 7         | PULL W/ SCREW        | 2 Sets |
| 8         | FLOOR GLIDE          | 4 Pcs  |

## STEP 1:









## STEP 2:



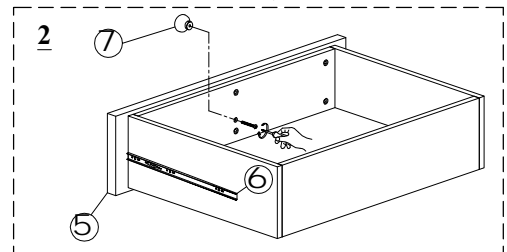
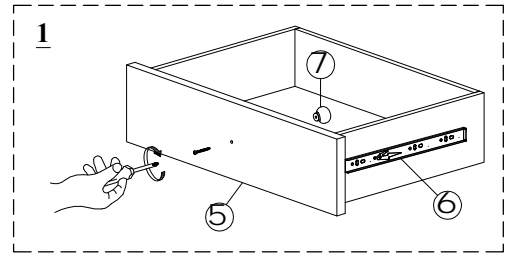
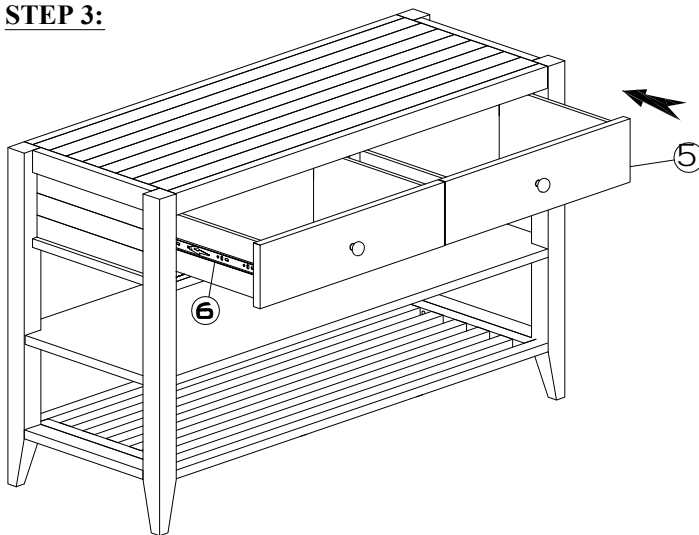
# ASSEMBLY INSTRUCTION

Thank you for purchasing this quality product. Be sure to check all packing material carefully for small parts that may have come loose inside the carton during shipment.

| Hardware kit |   |                         |        |
|--------------|---|-------------------------|--------|
| No           | Description   |                         | Qty    |
| A            |  | Bolt M6x40mm Top Bolt   | 8 Pcs  |
| B            |  | Bolt M6x50mm Shelf Bolt | 4 Pcs  |
| C            |  | Lock Washer             | 12 Pcs |
| D            |  | Flat Washer             | 12 Pcs |
| E            |  | Allen key               | 1 Pc   |
| F            |  | Dowel                   | 12 Pcs |

| Key Parts |                      |        |
|-----------|----------------------|--------|
| No        | Description          | Qty    |
| 1         | STORAGE BOX          | 1 Pc   |
| 2         | LEG ASSEMBLY         | 2 Pcs  |
| 3         | UPPER SHELF          | 1 Pc   |
| 4         | LOWER SHELF          | 1 Pc   |
| 5         | DRAWER COMPLETE      | 2 Pcs  |
| 6         | FULL EXTENSION GLIDE | 2 Sets |
| 7         | PULL W/ SCREW        | 2 Sets |
| 8         | FLOOR GLIDE          | 4 Pcs  |

## STEP 3:



## STEP 4:

