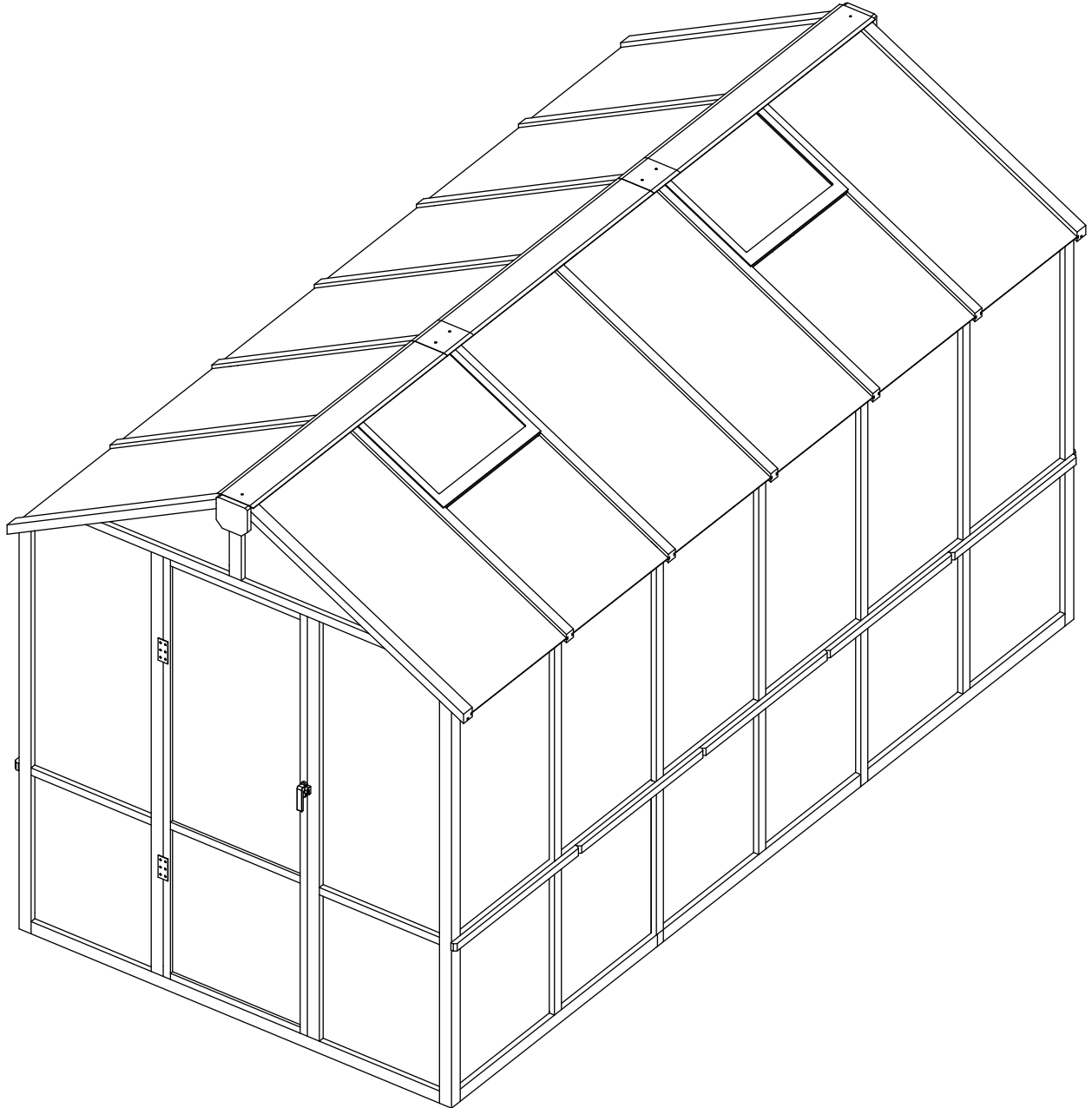


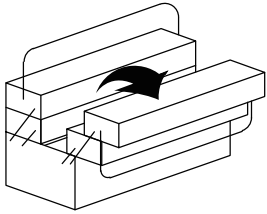
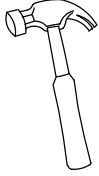




# INSTALLATION INSTRUCTIONS

## 6X12 ft Wooden Greenhouse













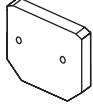





 **EASYHAWKservice@outlook.com**

**Our team is available 24/7 to help with any product questions. Contact us anytime!**




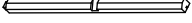





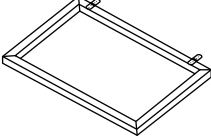
					
<b>Toolbox</b>	<b>Hammer</b>	<b>Glove</b>	<b>Power drill</b>	<b>Tape Measure</b>	<b>Bitbits</b>







## Aluminum Parts

No.	Picture	Qty.
A1	 64.57*1.85*1.85 in	x2
A2	 64.57*1.85*1.85 in	x2
A3	 69.49*1.85*1.85 in	x1
A4	 69.49*1.85*1.85 in	x1
A5	 68.74*1.85*1.85 in	x1
A6	 21.46*1.57*1.38 in	x2
A7	 46.1*1.85*1.38 in	x1
A8	 42.52*1.85*1.38 in	x2

No.	Picture	Qty.
A9	 42.52*1.85*1.38 in	x2
A10	 12.36*1.85*1.85 in	x2
A11	 4.72*5.12*0.79 in	x2
A12	 68.74*1.85*1.38 in	x1
A14	 69.49*1.57*1.38 in	x2
A15	 22.91*1.57*1.38 in	x3
A16	 46.1*1.85*1.38 in	x1
A17	 46.1*1.85*1.38 in	x6

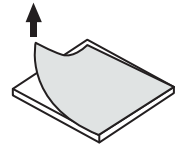
# Aluminum Parts


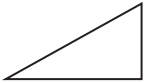







No.	Picture	Qty.
A18	 61.93*1.57*1.38 in	x6
A19	 64.17*1.57*1.38 in	x4
A20	 23.09*1.57*1.38 in	x12
A21	 46.1*1.57*1.38 in	x6
A22	 69.29*1.85*1.85 in	x1
A23	 42.52*1.57*1.18 in	x6
A24	 42.52*1.57*1.18 in	x2
A25	 42.52*1.57*1.18 in	x2
A26	 23.09*1.18*1.18 in	x2
A27		x2

No.	Picture	Qty.
A28	 67.72*1.57*0.98 in	x1
A29	 67.72*1.57*0.98 in	x1
A30	 21.81*1.57*0.98 in	x1
A31	 21.81*1.57*0.98 in	x1
A32	 21.81*1.57*0.98 in	x1
A33	 70.08*1.85*1.85 in	x1

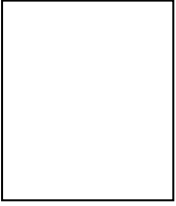


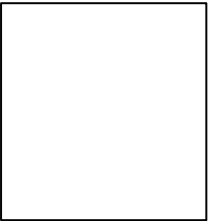
# TWin PC Board

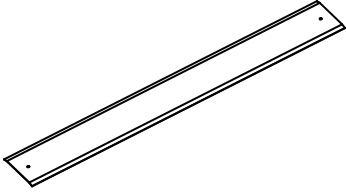
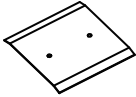
The white film faces outwards if applicable.



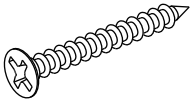
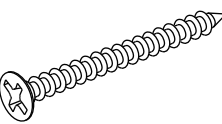
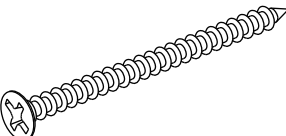
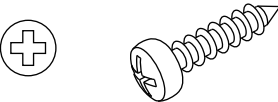
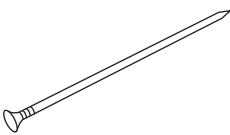
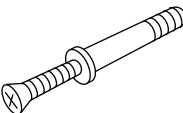
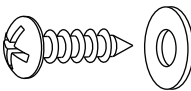
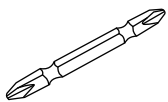
No.	Picture	Qty.	
B		B1	2PCS
		B2	2PCS
		B3	2PCS
		B4	1PCS
		B5	2PCS
		B6	12PCS
		B7	10PCS
		B8	2PCS
		B9	1PCS

# Hardware


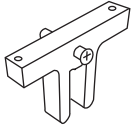

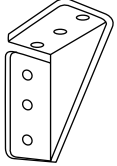
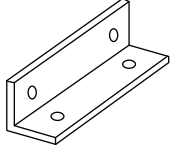
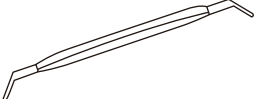
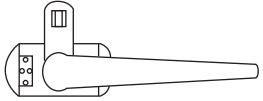
No.	Picture	Qty.
C1		x2
C2		x3
C3		x12
C4		x1


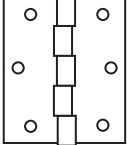



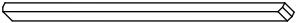

No.	Picture	Qty.
D1		x3
D2		x2

# Hardware

No.	Picture	Qty.	Size
E1		x128+5	M4x20
E2		x159+5	M4x30
E3		x34+2	M4x50
E4		x14+2	M4x16
E5		x24	
E6		x24	
E7		x40+2	
E8		x1	

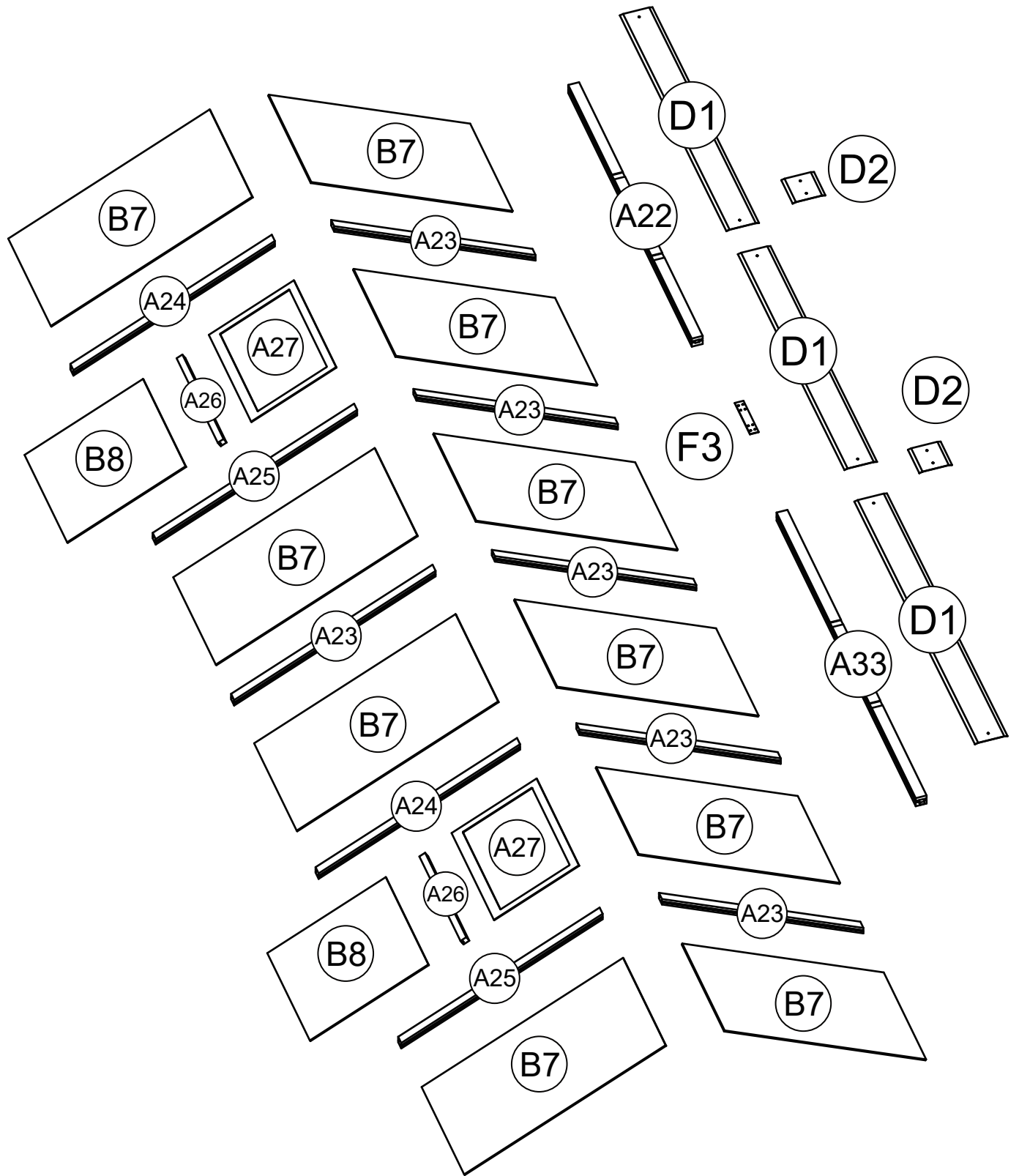
# Hardware

No.	Picture	Qty.
F1		x2
F2		x2
F3		x9
F4		x2
F5		x12
F6		x5
F7		x1

No.	Picture	Qty.
F8		x1
F9		x2
F11	 67.32*0.79*0.39 in	x2
F12	 23.43*0.79*0.39 in	x2
F13	 23.43*1.57*0.79 in	x3
F14	 28.19*1.57*0.79 in	x10
F15		x18



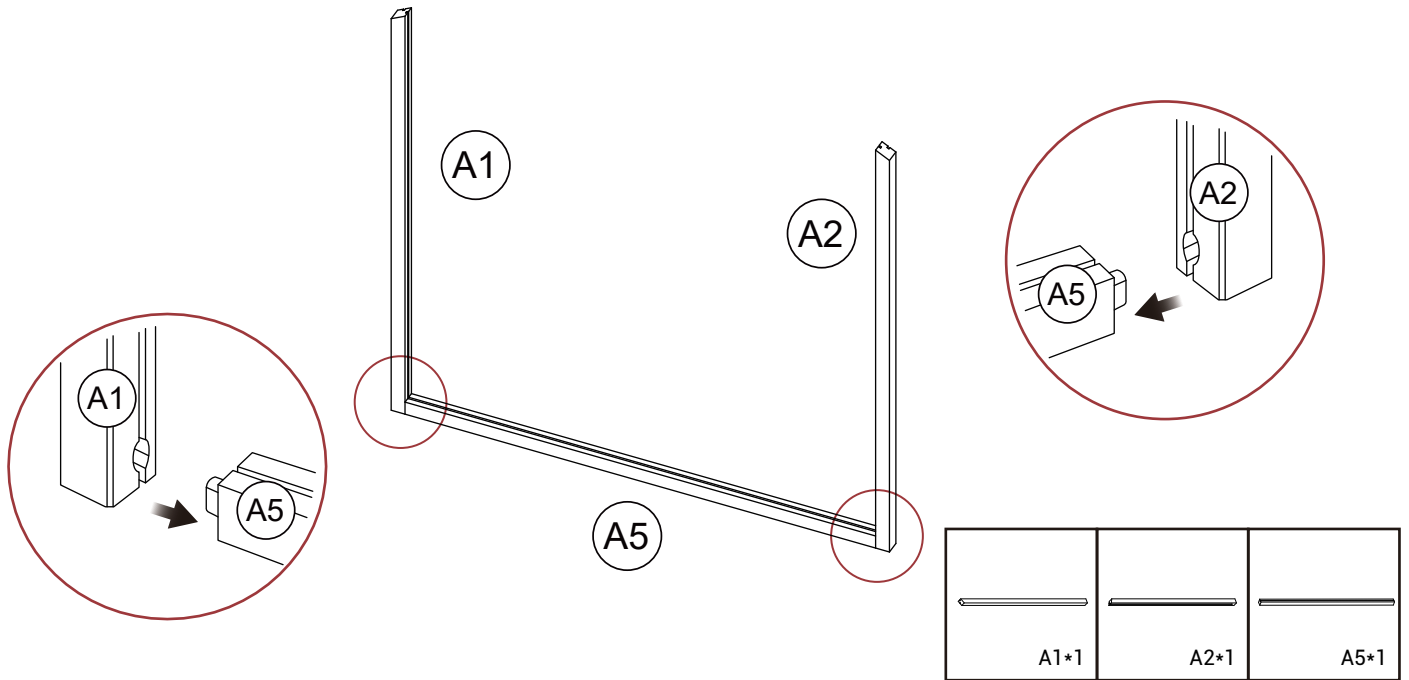
# ROOF SECTION



# STEP 1

## Front frame installation 1

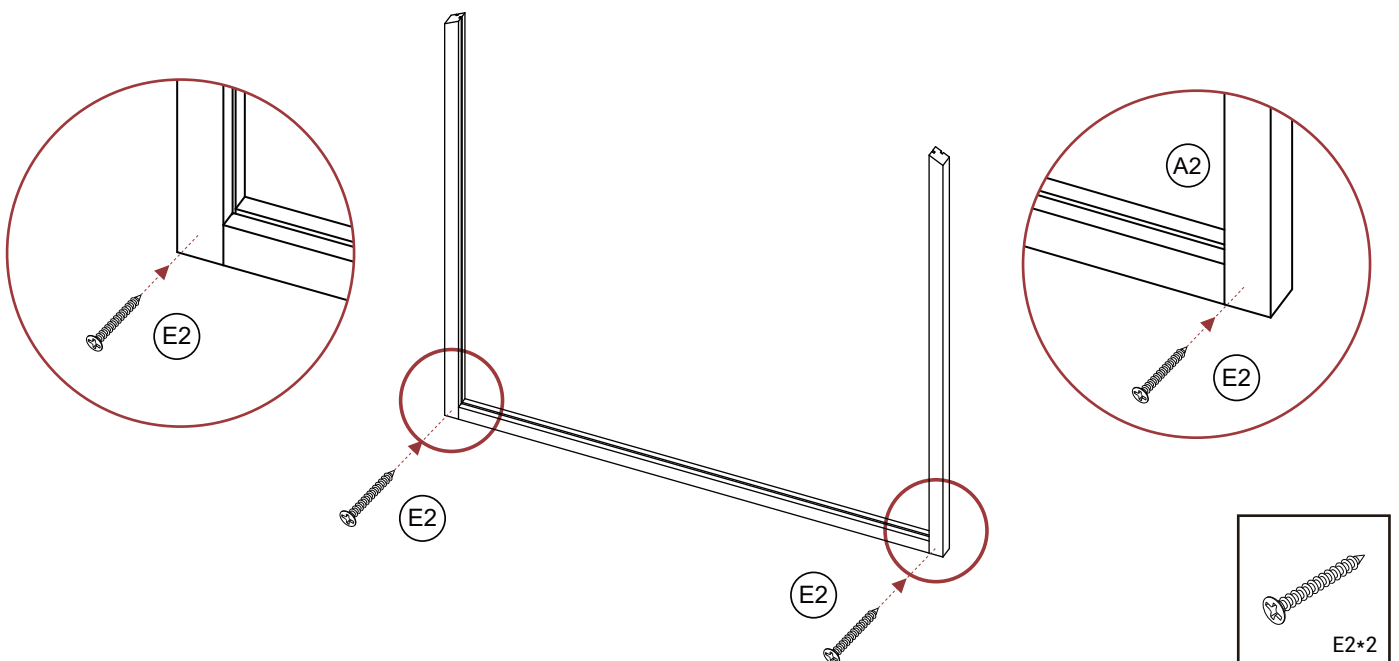
1. A5 with the card slot facing up
2. Align the plugs on both sides of A5 with the A1 and A2 sockets and insert them



# STEP 2

## Front frame installation 2

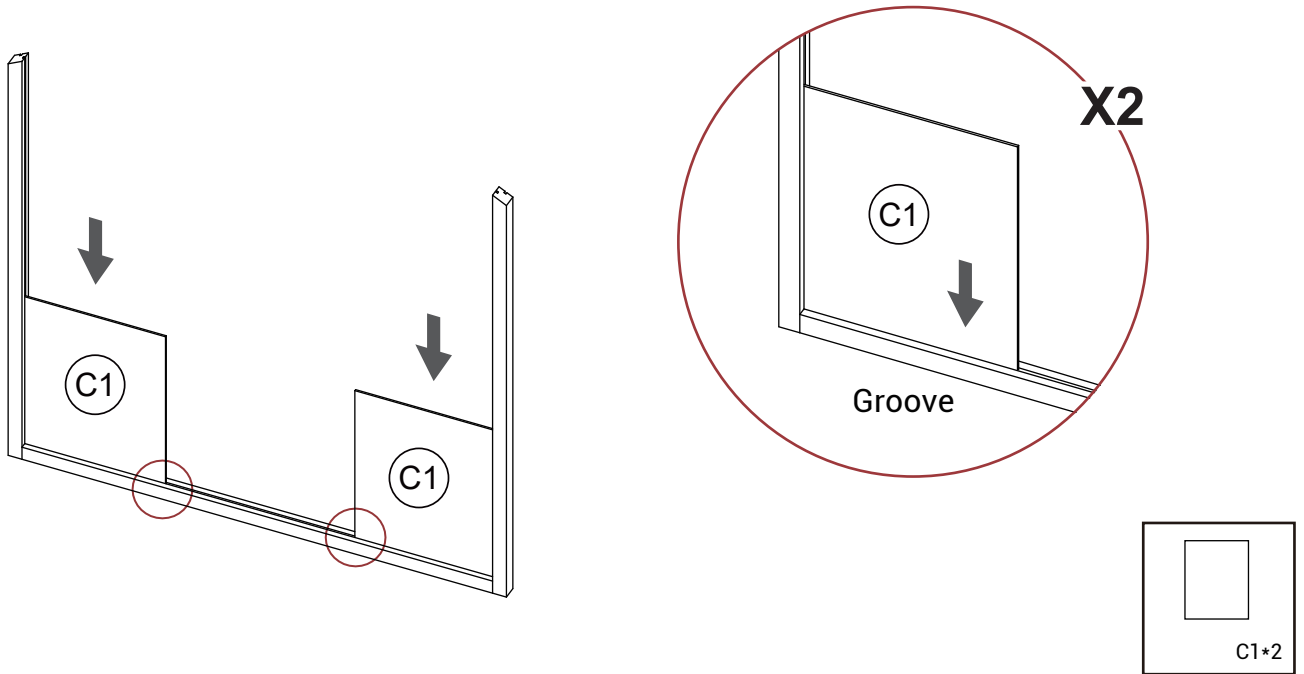
1. Fix with E2



# STEP 3

## Front frame installation 3

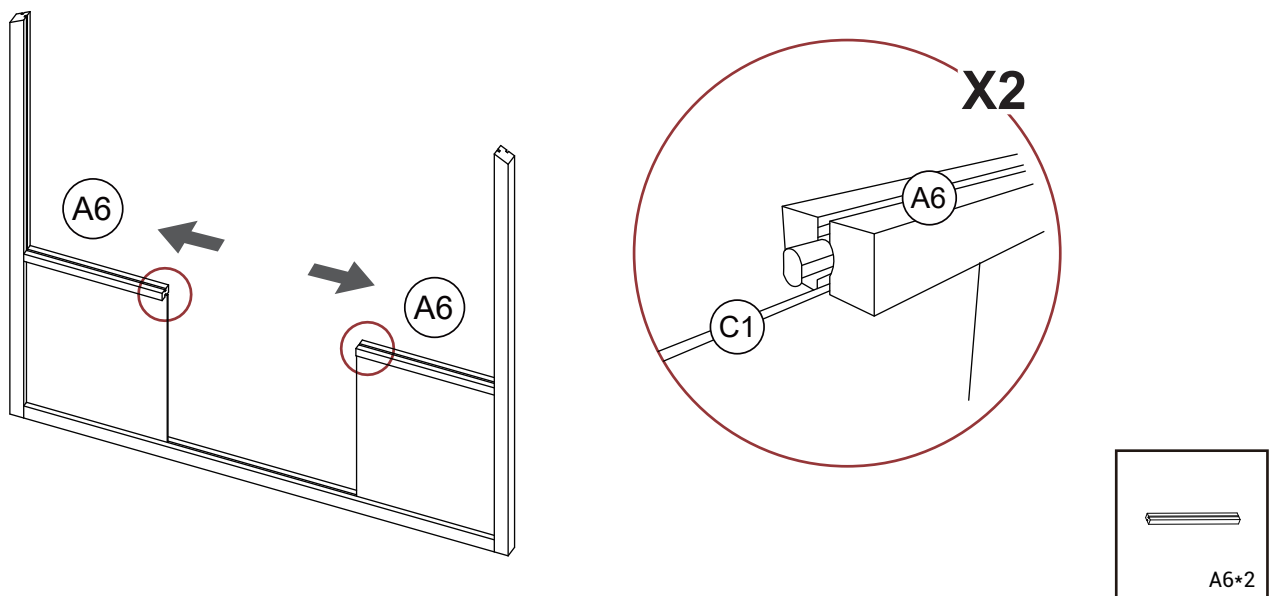
1. Insert C1 downward along the groove of the wood strip into the groove of the wood strip



# STEP 4

## Front frame installation 4

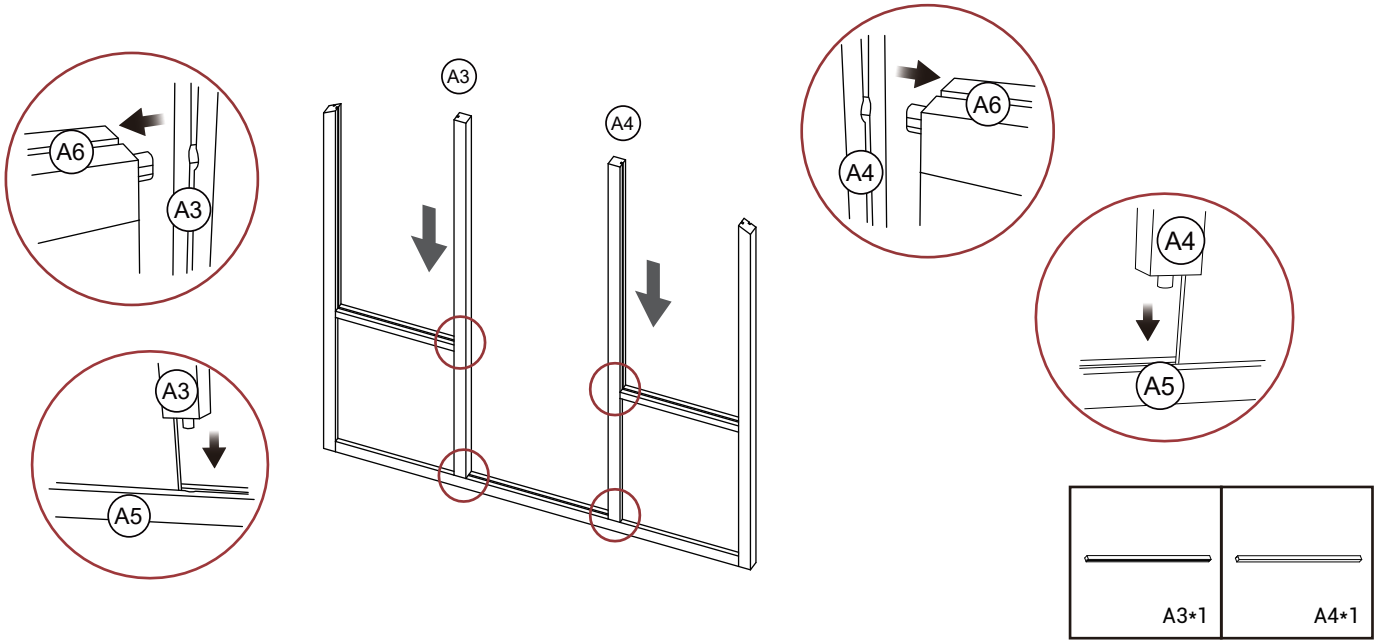
1. Align the groove of A6 with C1 and push it inward along the wooden board until the plug is inserted into the socket



# STEP 5

## Front frame installation 5

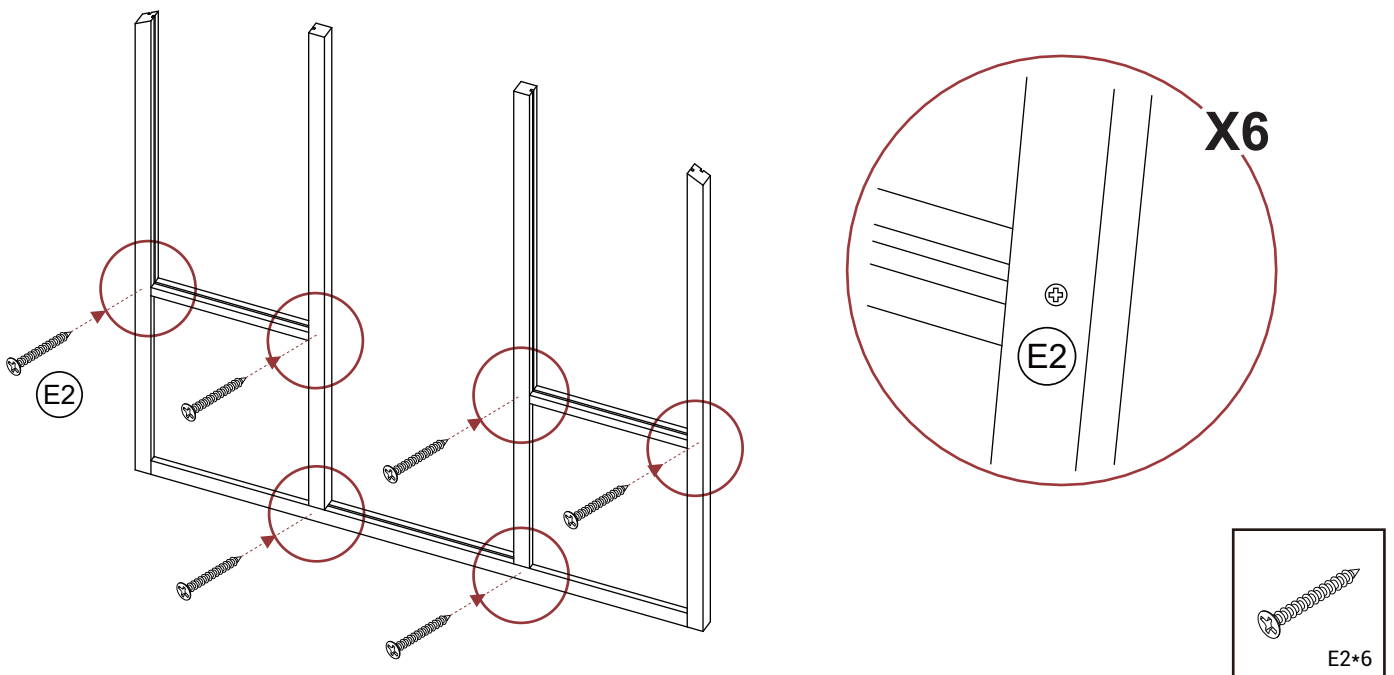
1. Align the plug at the bottom of A3 with the socket on A5 and insert it, and align the socket on A3 with the plug on A6
2. Align the plug at the bottom of A4 with the socket on A5 and insert it, and align the socket on A4 with the plug on A6



# STEP 6

## Front frame installation 6

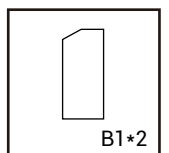
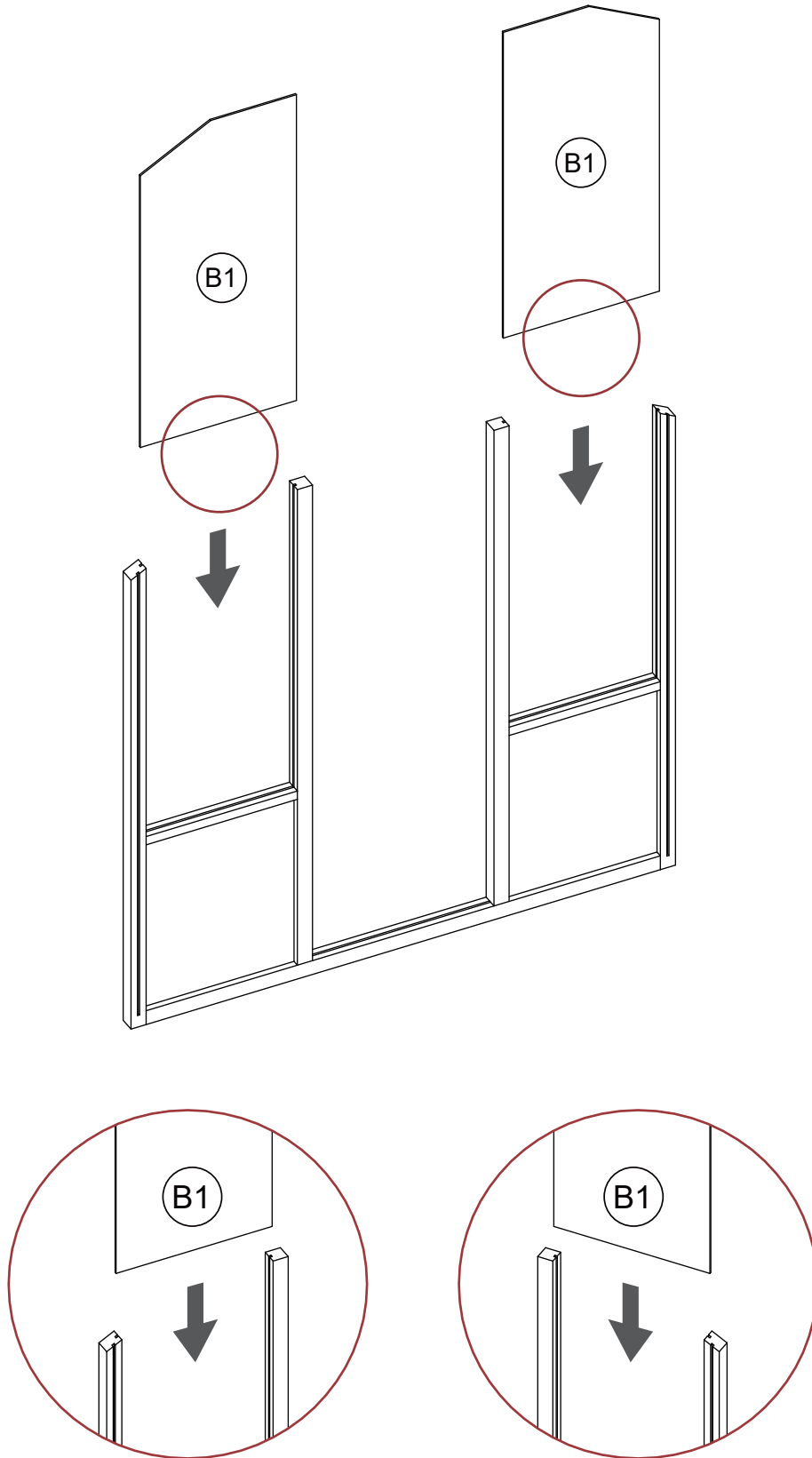
1. Fix with E2



# STEP 7

## Front frame installation 7

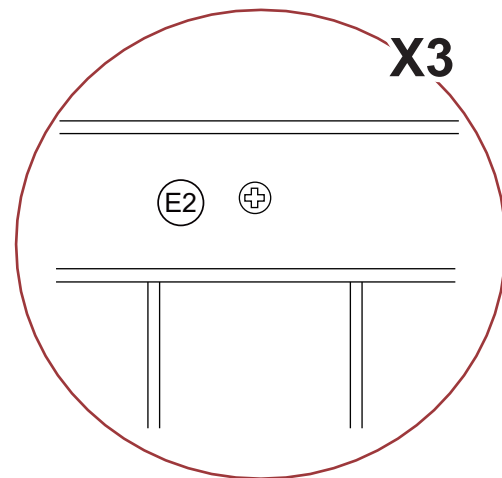
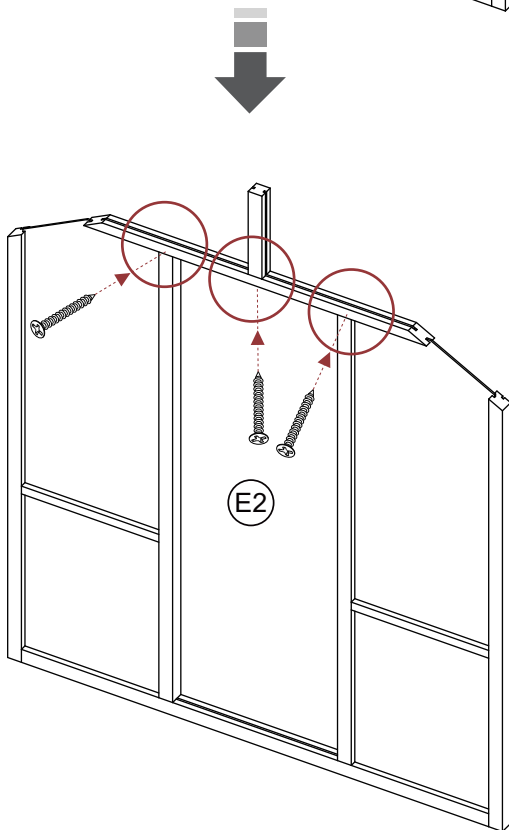
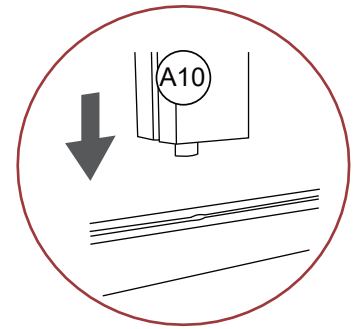
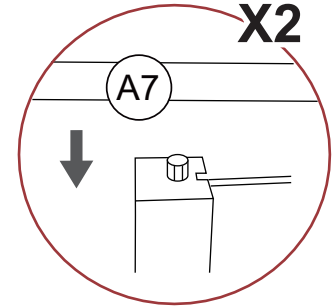
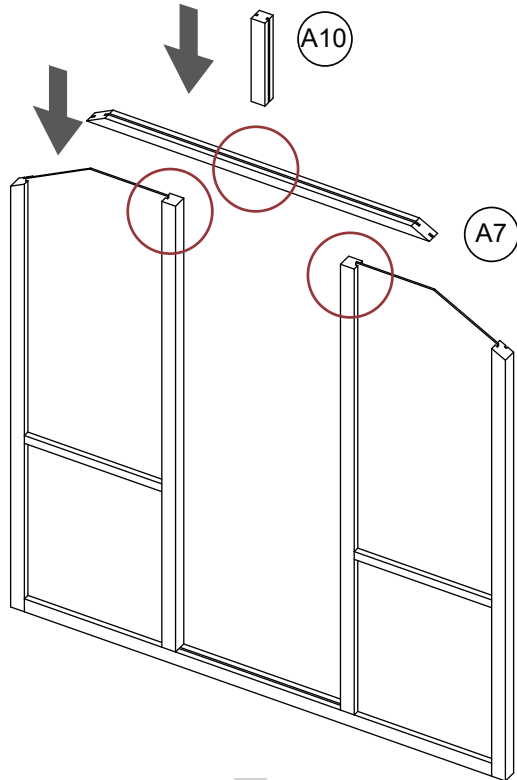
1. Insert B1 into the front frame



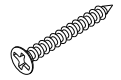


# STEP 8

## Front frame installation 8

1. Insert A7 into the front frame
2. Insert A10 into A7
3. Fix with E2

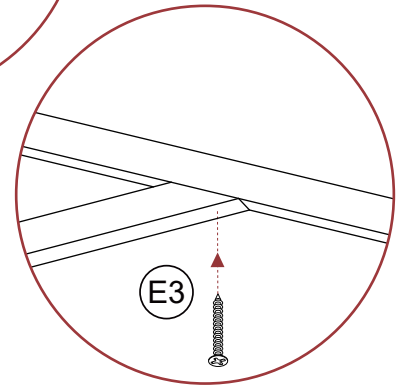
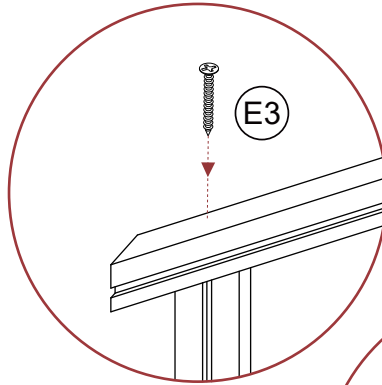
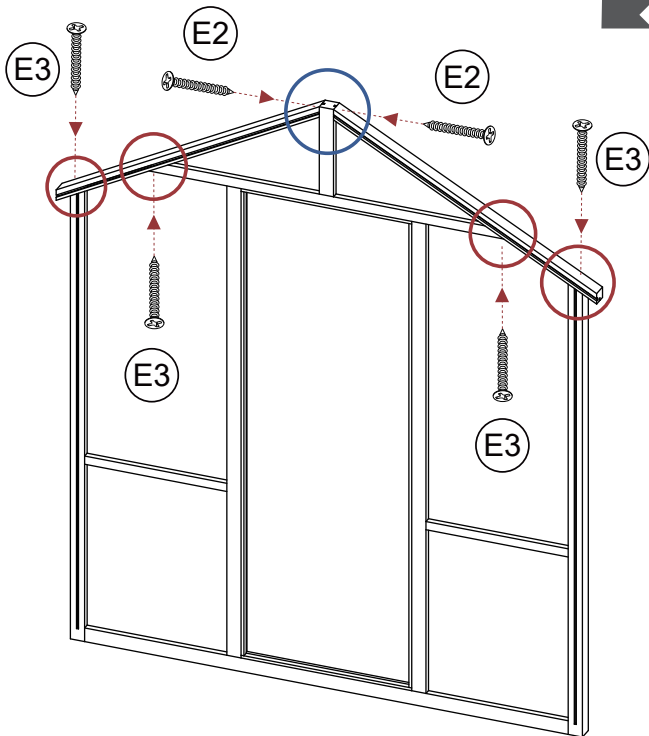
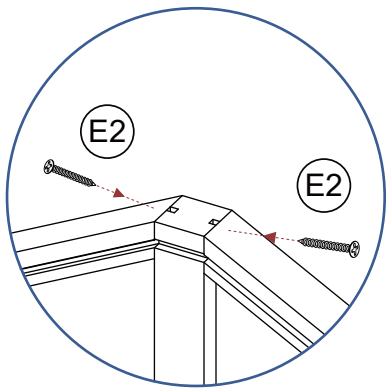
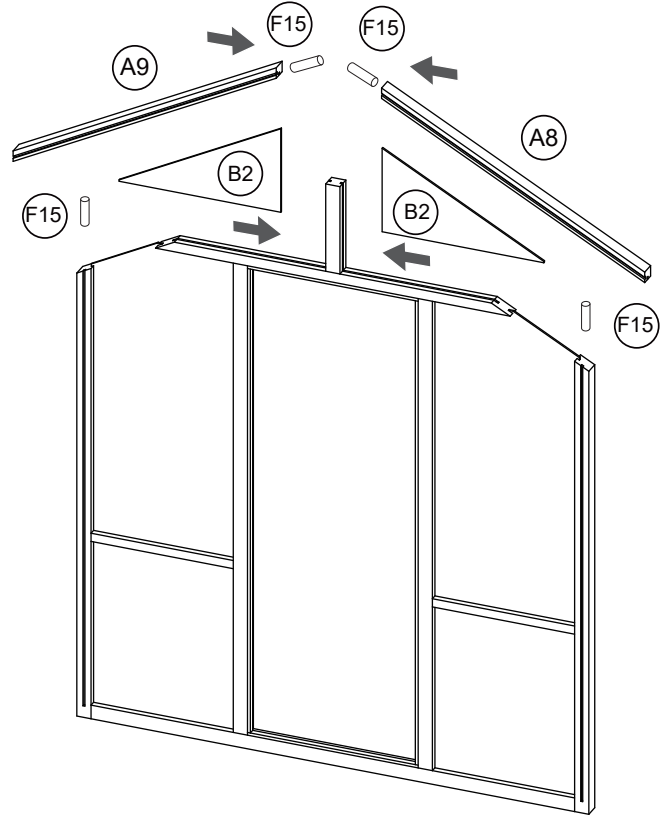








		
A7*1	A10*1	E2*3

# STEP 9

## Front frame installation 9

1. Insert B2 into A7 and A10 slot
2. Insert F15 into A8 and A9
3. Insert A8 and A9 into A10 respectively
4. Fix with E2/E3

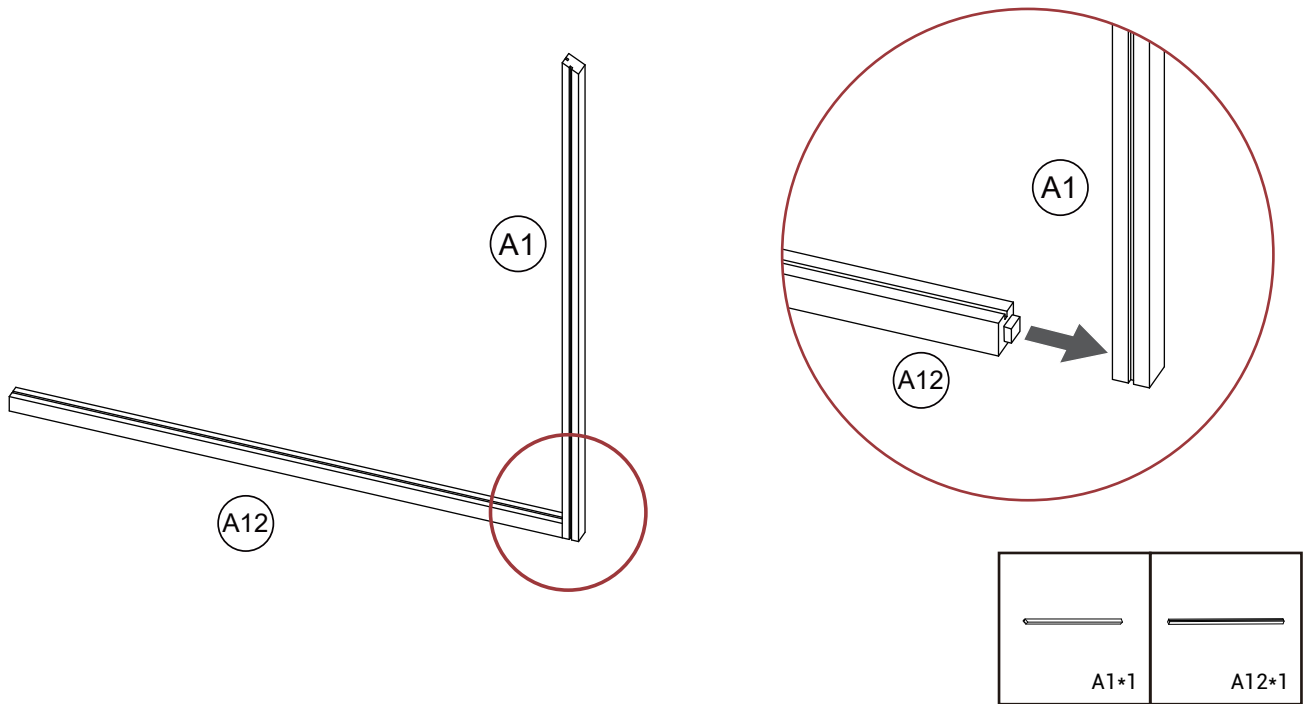


					
A8*1	A9*1	B2*2	F15*4	E2*2	E3*4

# STEP 10

## Rear frame installation 1

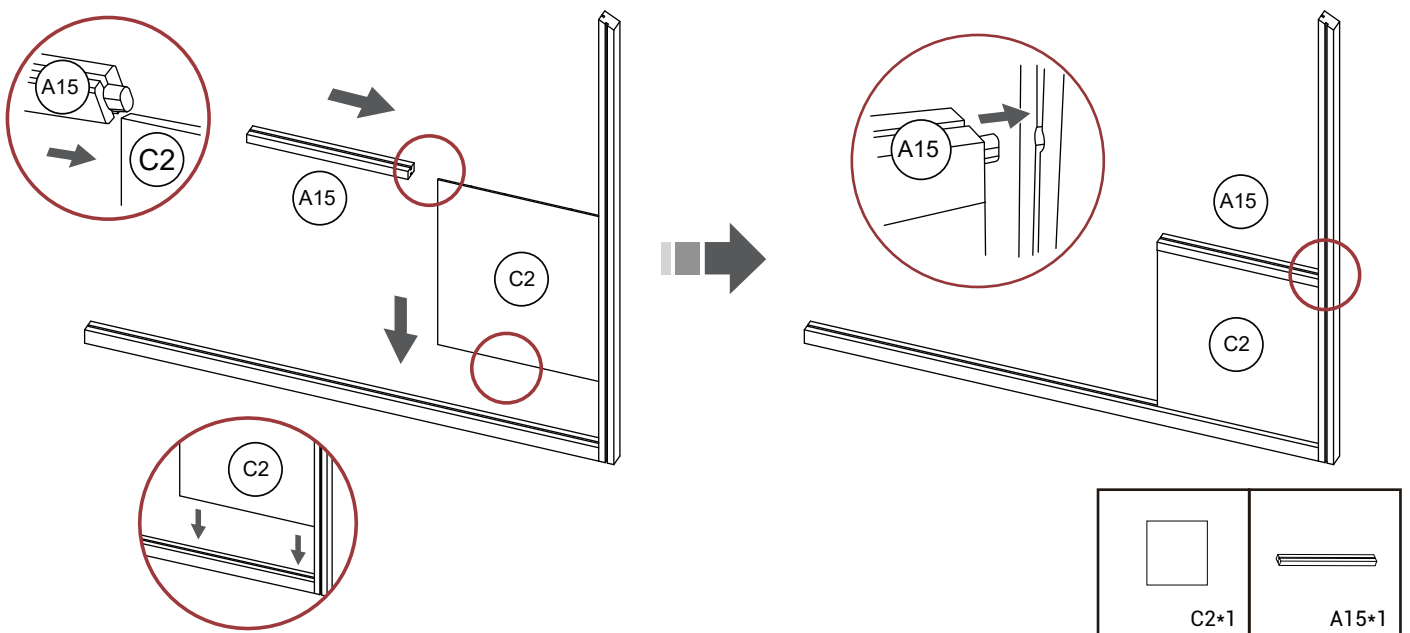
1. A12 with the card slot facing up
2. Aim the A12 plug at the A1 jack and insert it



# STEP 11

## Rear frame installation 2

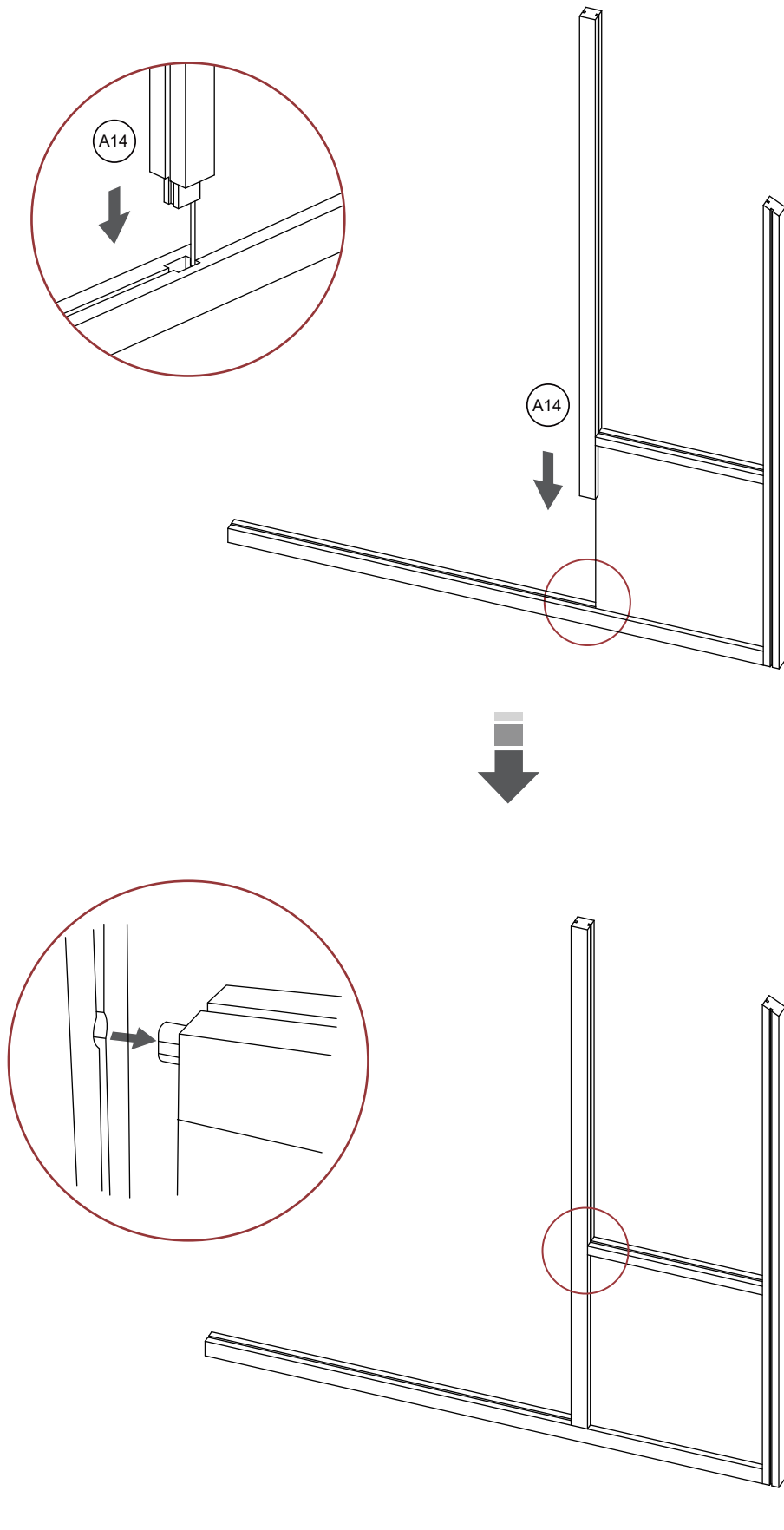
1. Insert C2 downward into the A12 slot
2. Align the A15 slot with C2 and push inward until the plug is inserted into the socket



# STEP 12

## Rear frame installation 3

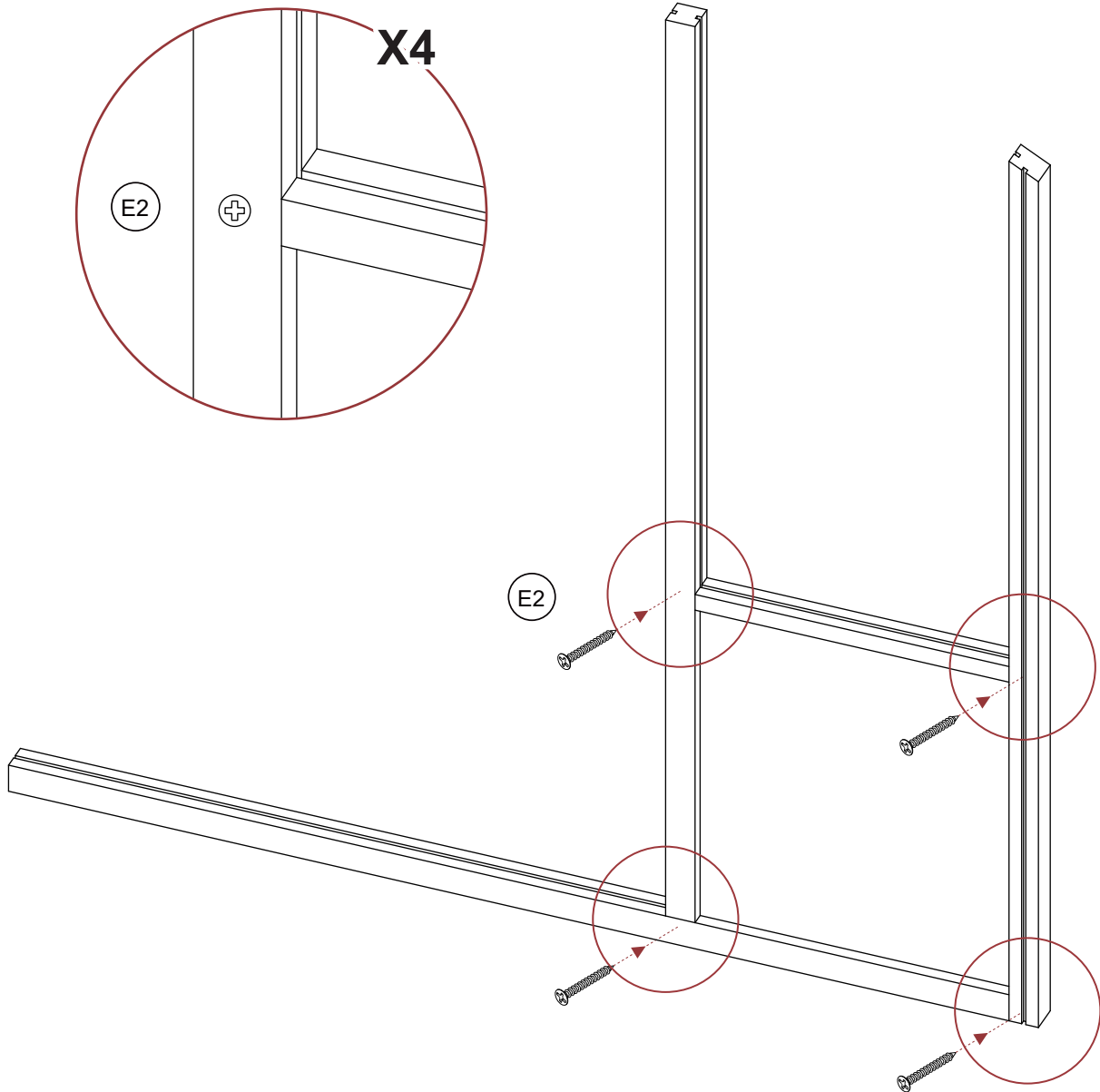
1. Insert A14 downward into the jack



# STEP 13

## Rear frame installation 4

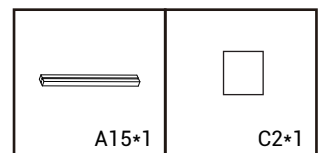
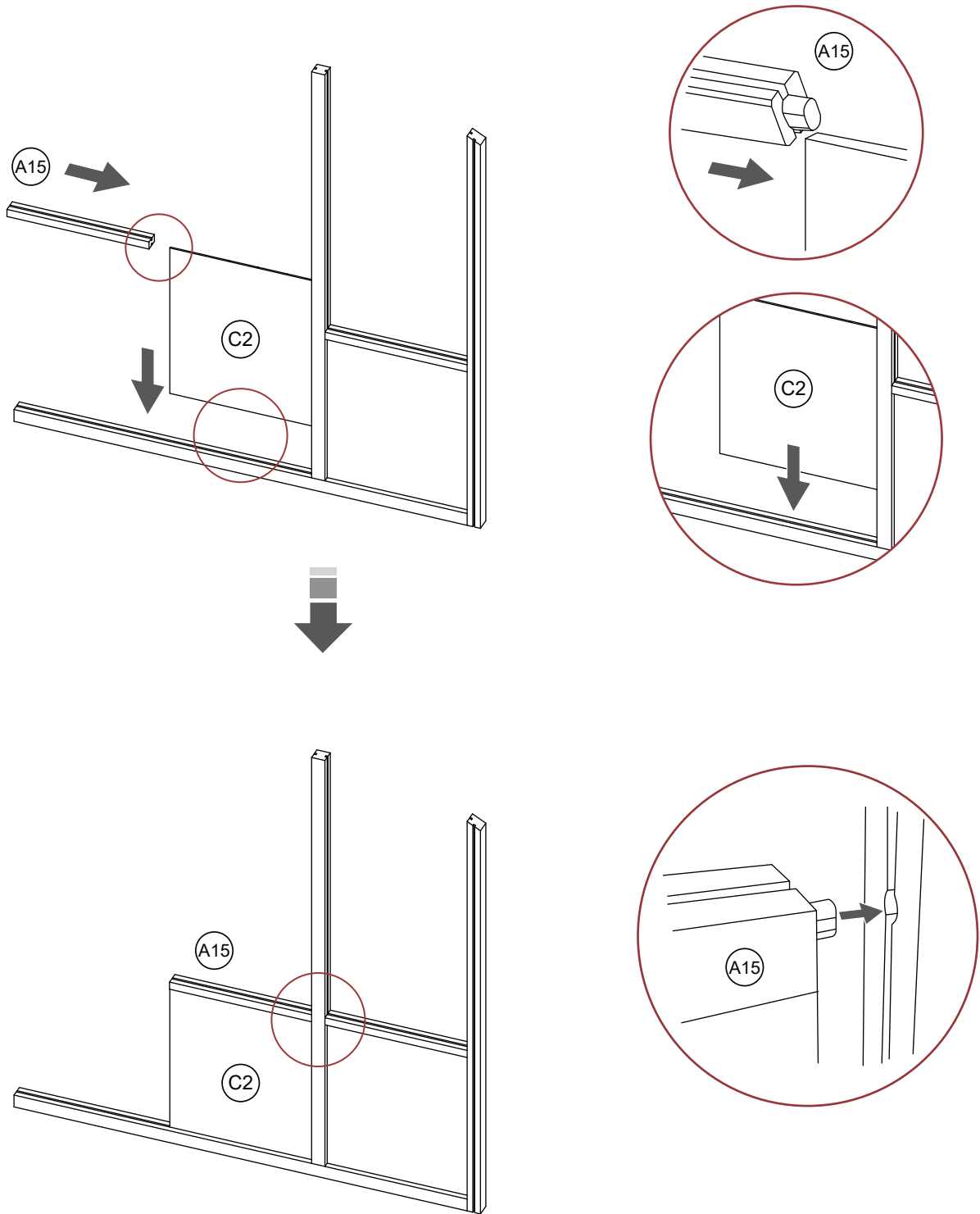
1. Fix with E2



# STEP 14

## Rear frame installation 5

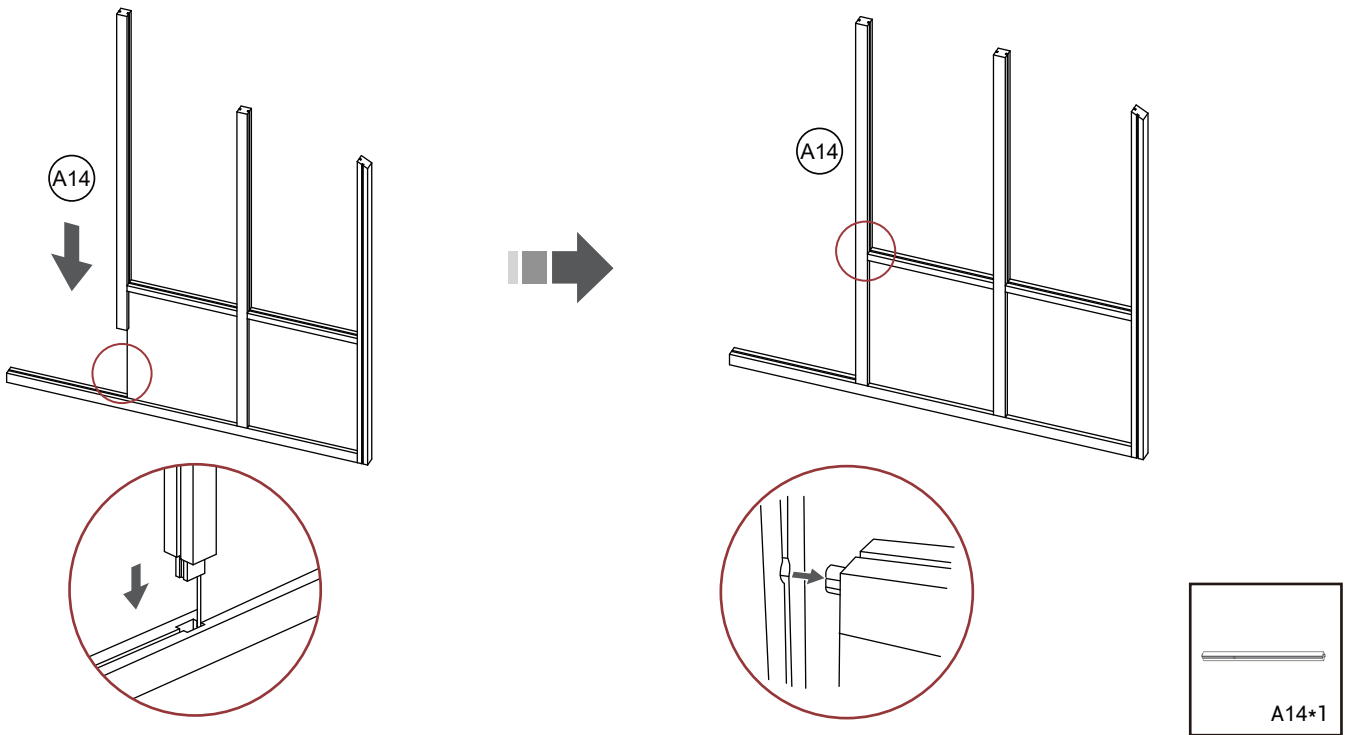
1. Insert C2 downward into the A12 slot
2. Align the A15 slot with C2 and push inward until the plug is inserted into the socket



# STEP 15

## Rear frame installation 6

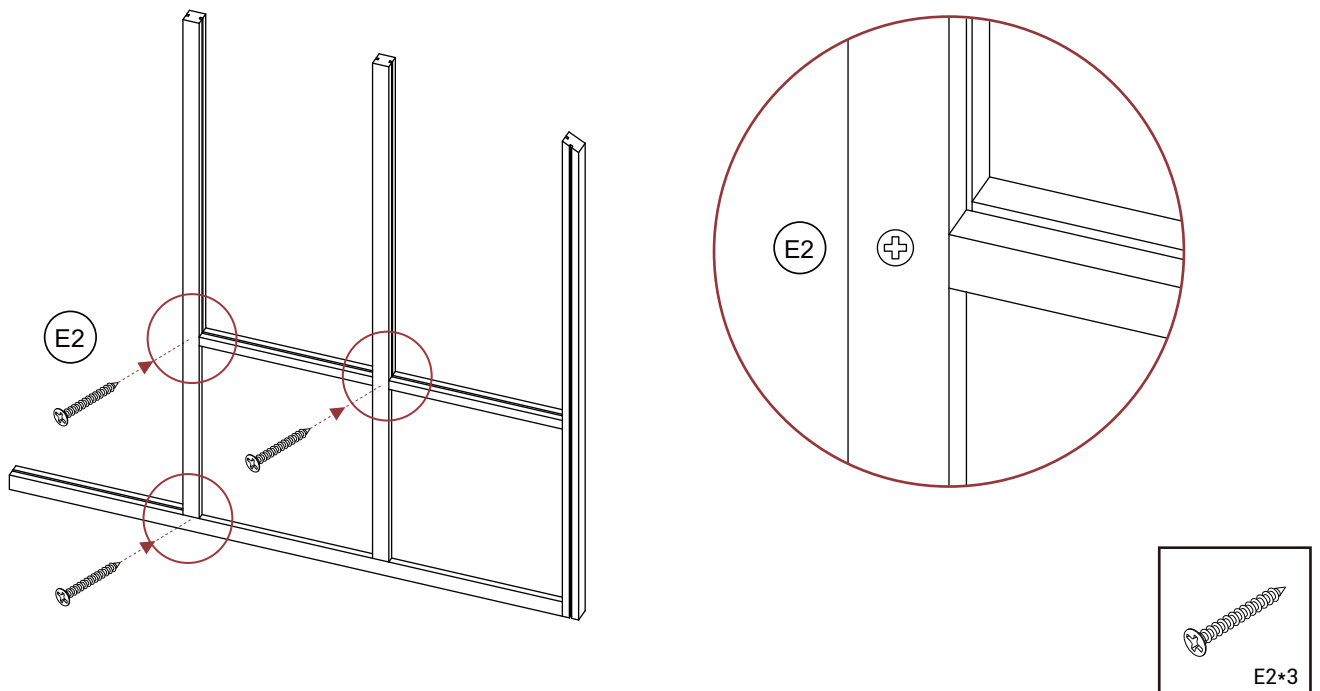
1. Insert A14 downward into the socket



# STEP 16

## Side frame installation 7

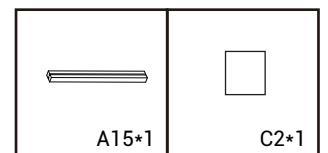
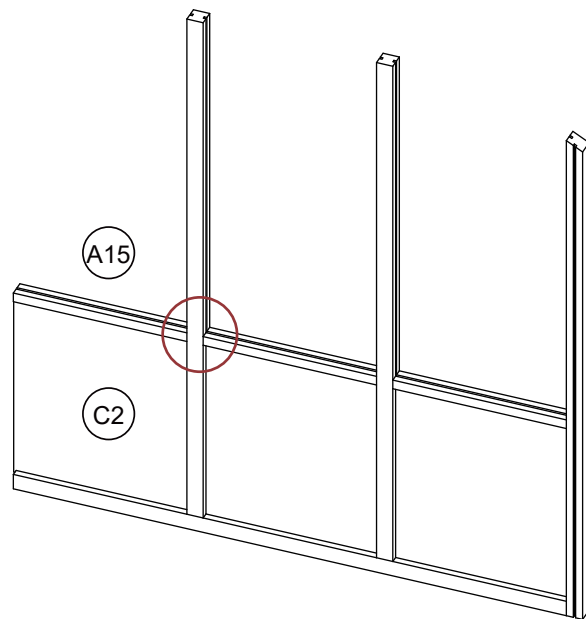
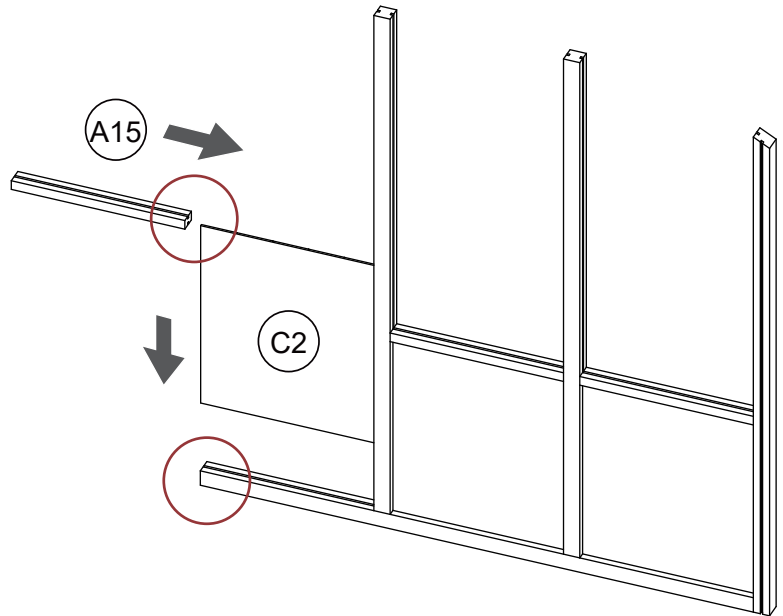
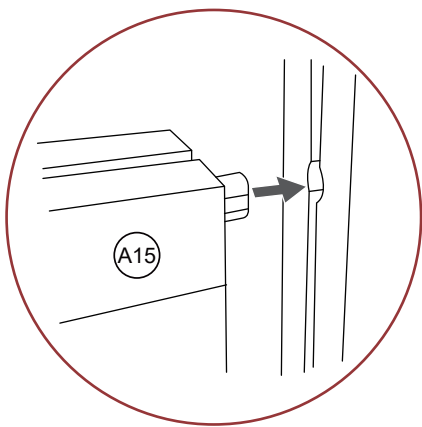
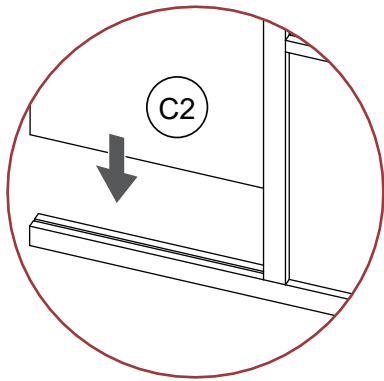
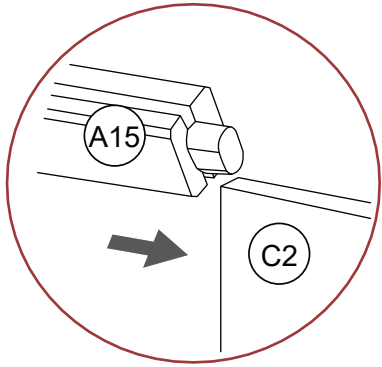
1. Fix with E2



# STEP 17

## Rear frame installation 8

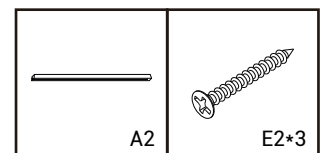
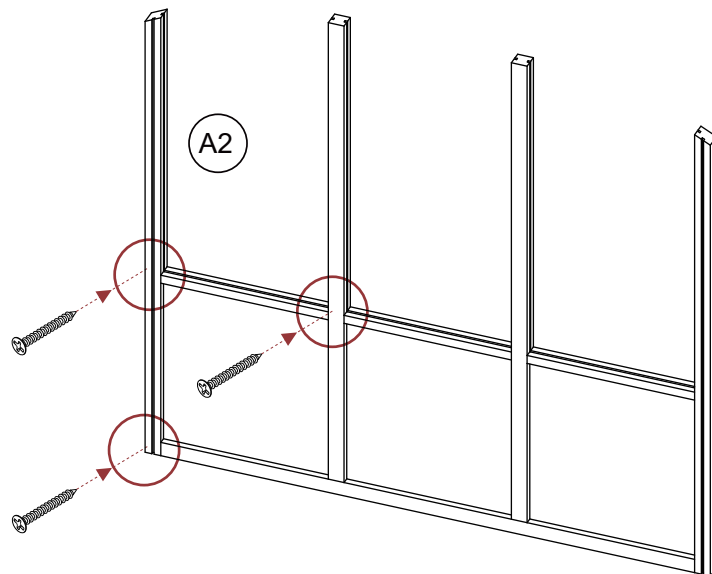
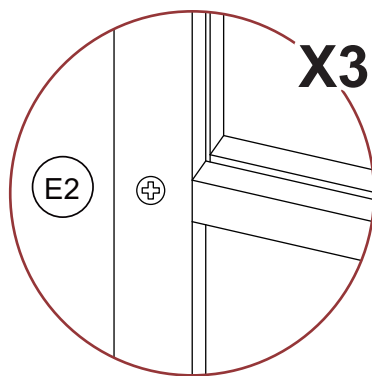
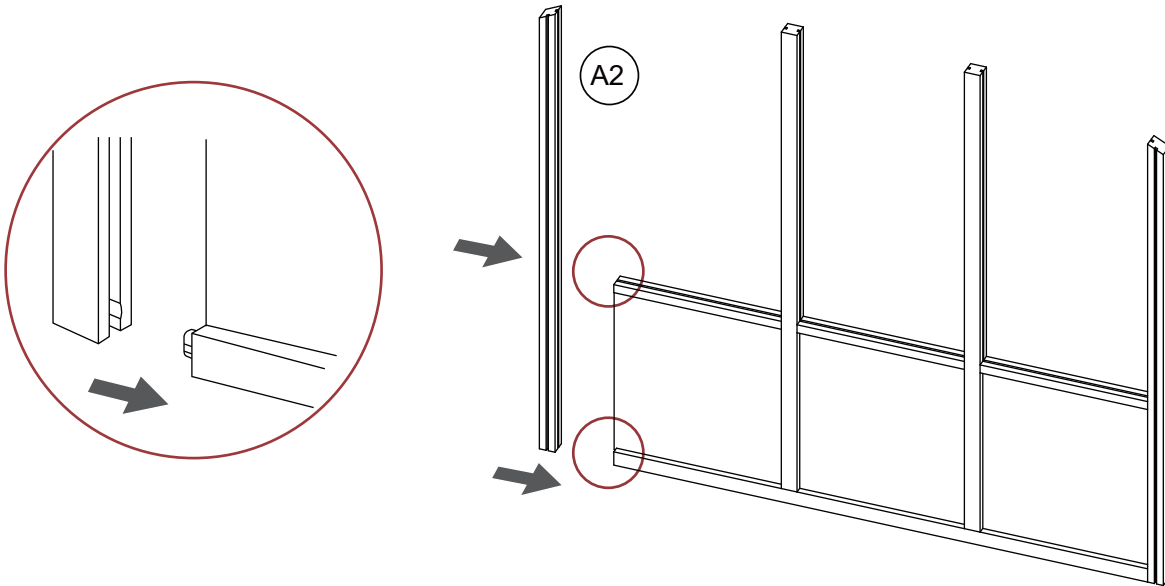
1. Insert C2 downward into the A12 slot
2. Align the A15 slot with C2 and push inward until the plug is inserted into the socket



# STEP 18

## Rear frame installation 9

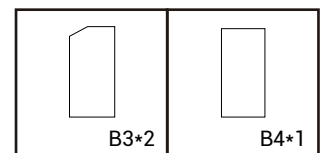
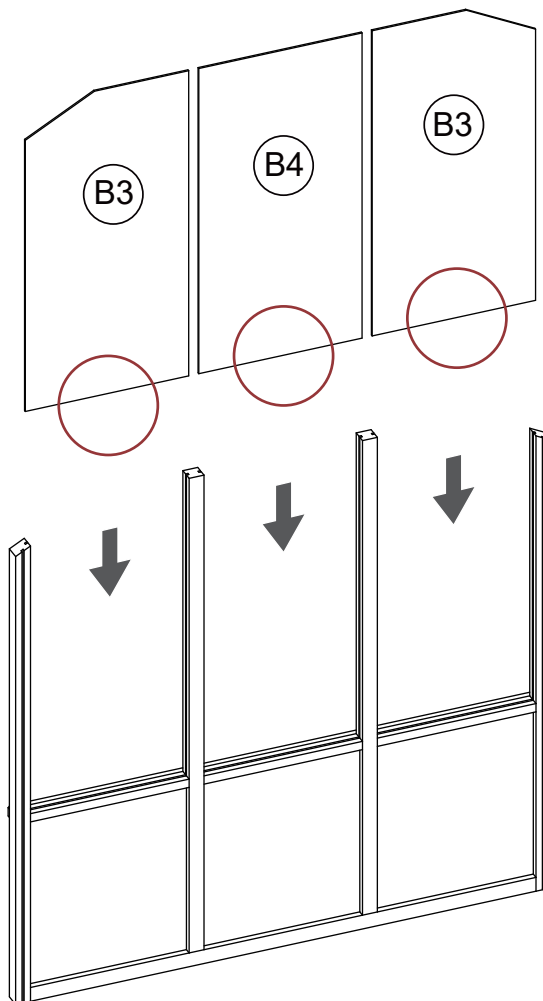
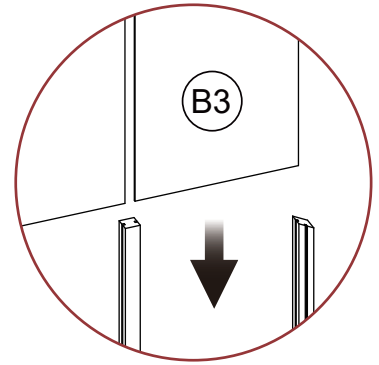
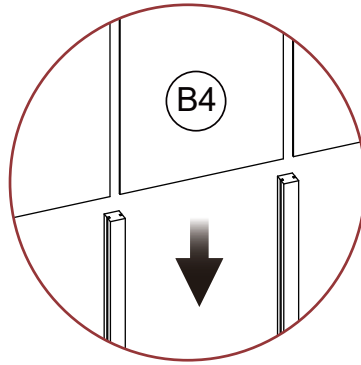
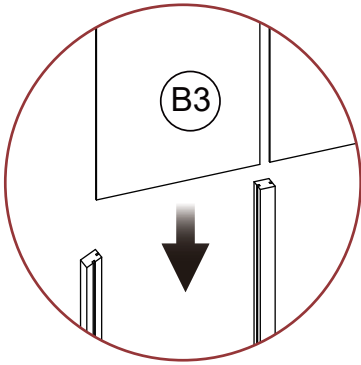
1. Align the A2 socket with the A12 and A15 plugs and insert
2. Fix with E2



# STEP 19

## Rear frame installation 10

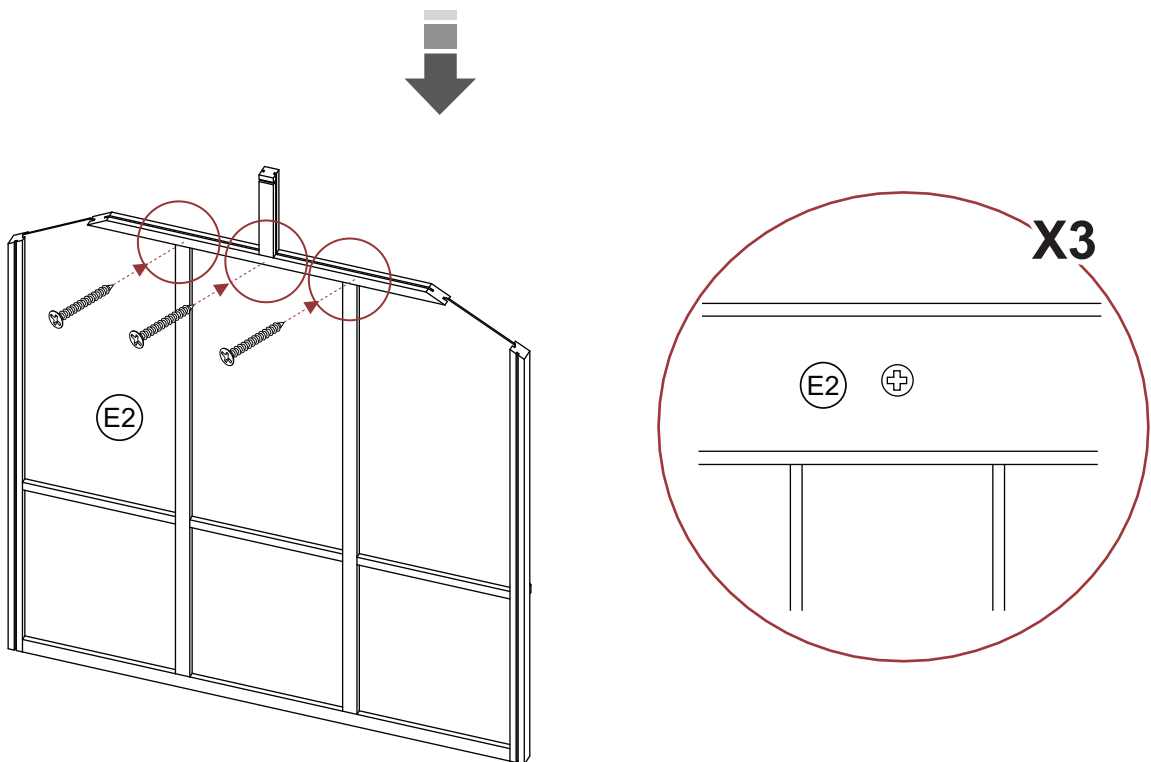
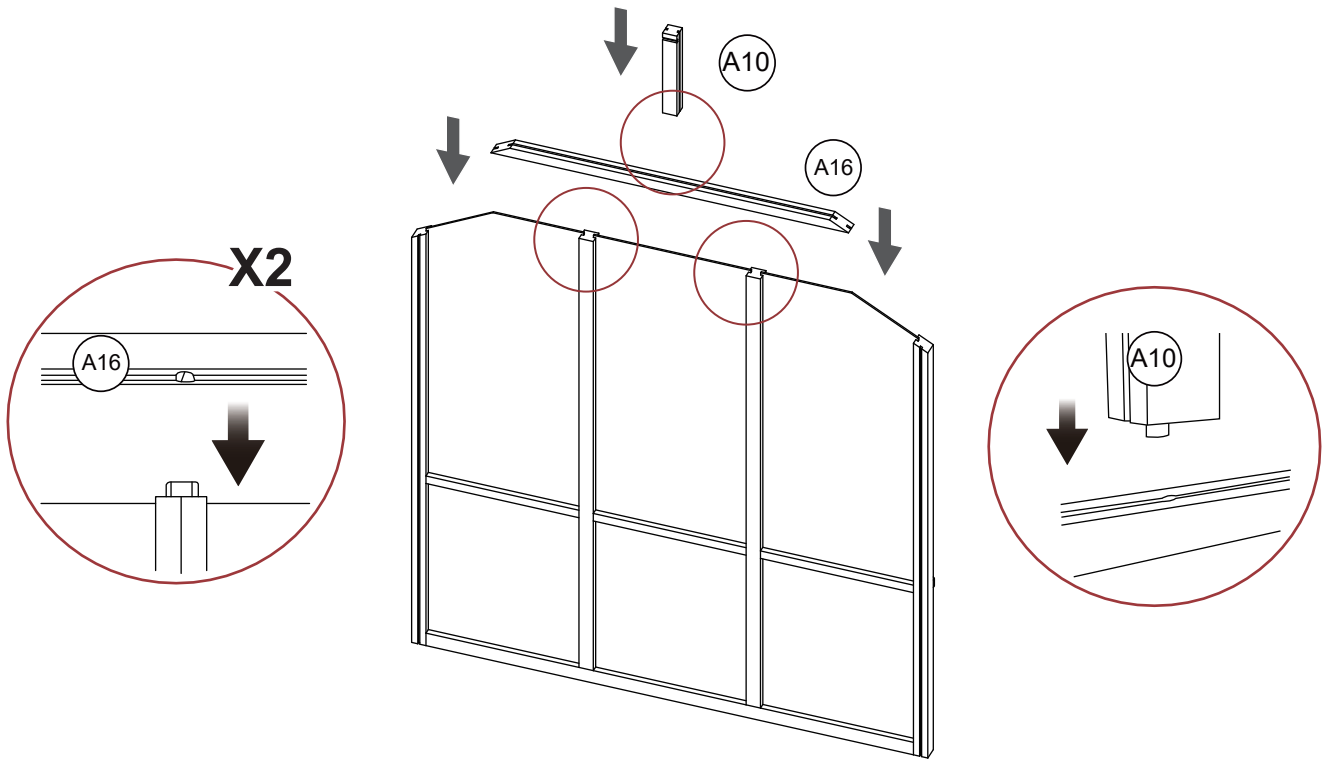
1. Place B3 and B4 down along the groove of the rear frame



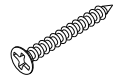


# STEP 20

## Rear frame installation 11

1. Plug A16 into the rear frame
2. Plug A10 into A16
3. Fix with E2

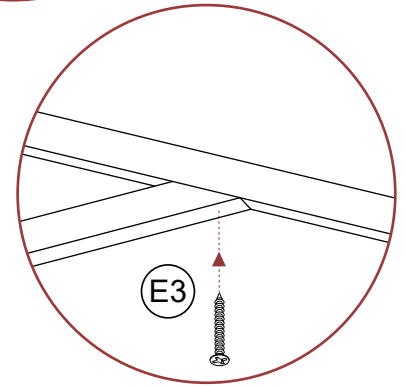
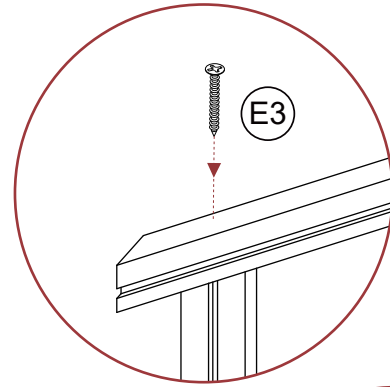
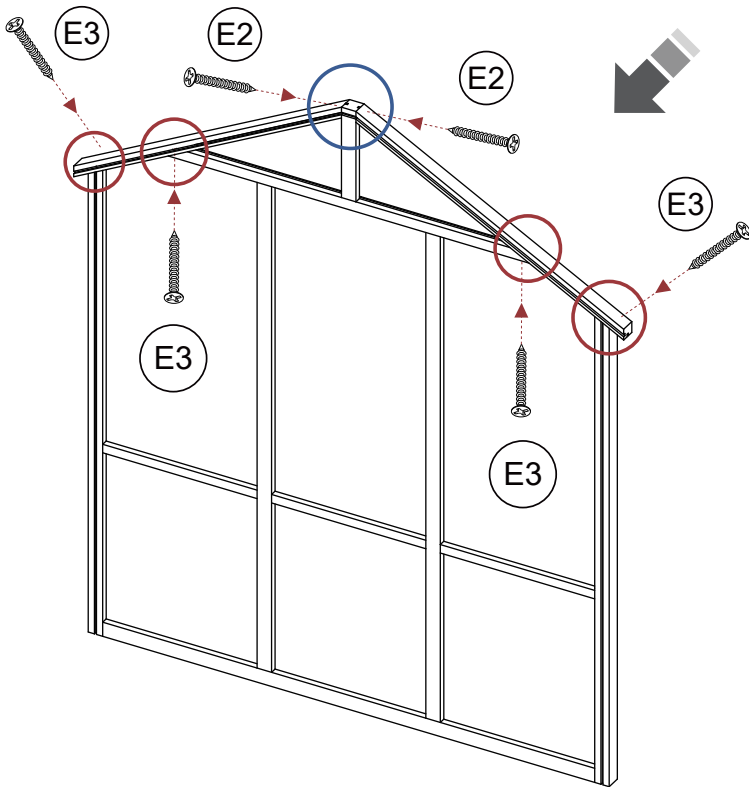
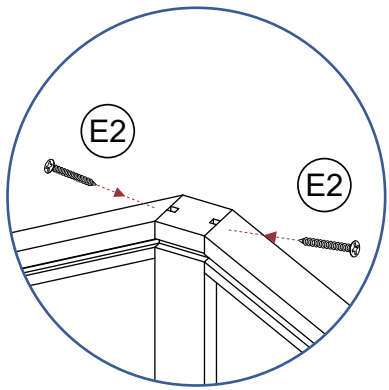
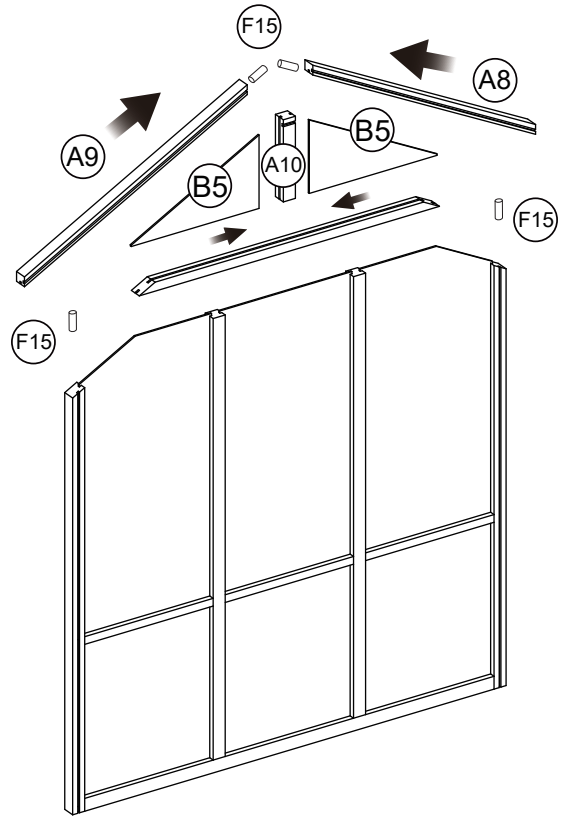




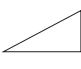



		
A10*1	A16*1	E2*3

# STEP 21

## Rear frame installation 12

1. Insert B5 into A10 and A16 slot
2. Insert F15 into A8 and A9
3. Insert A8 and A9 into A10 respectively
4. Fix with E2/E3

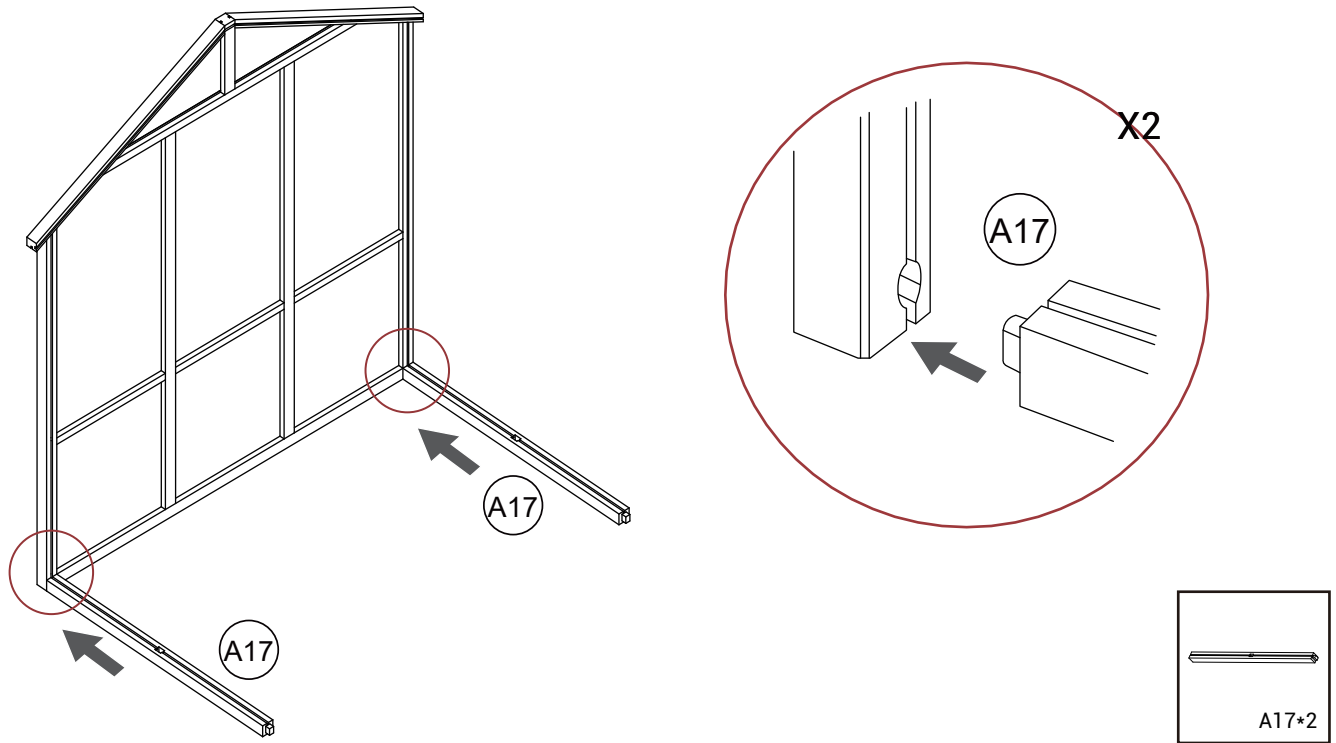


					
A8*1	A9*1	B5*2	F15*4	E2*2	E3*4

# STEP 22

## Side frame installation 1

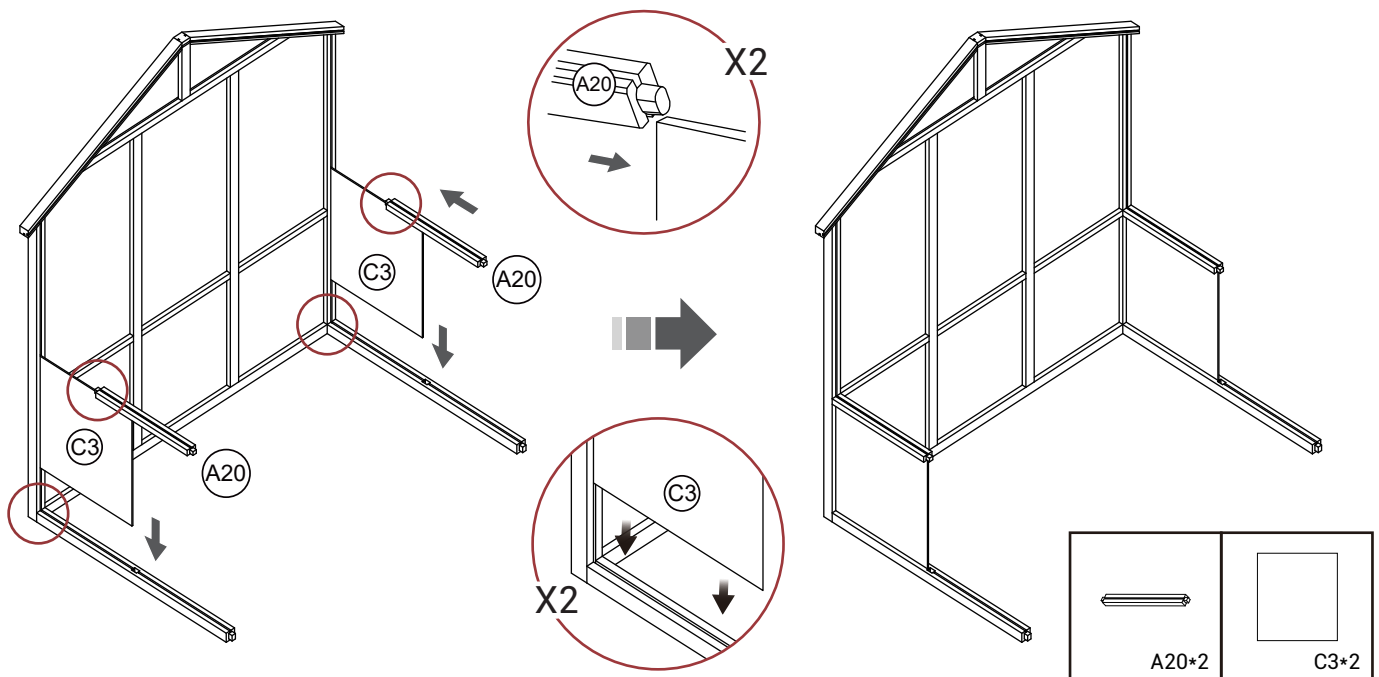
1. Insert A17 into the rear frame



# STEP 23

## Side frame installation 2

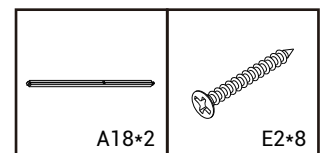
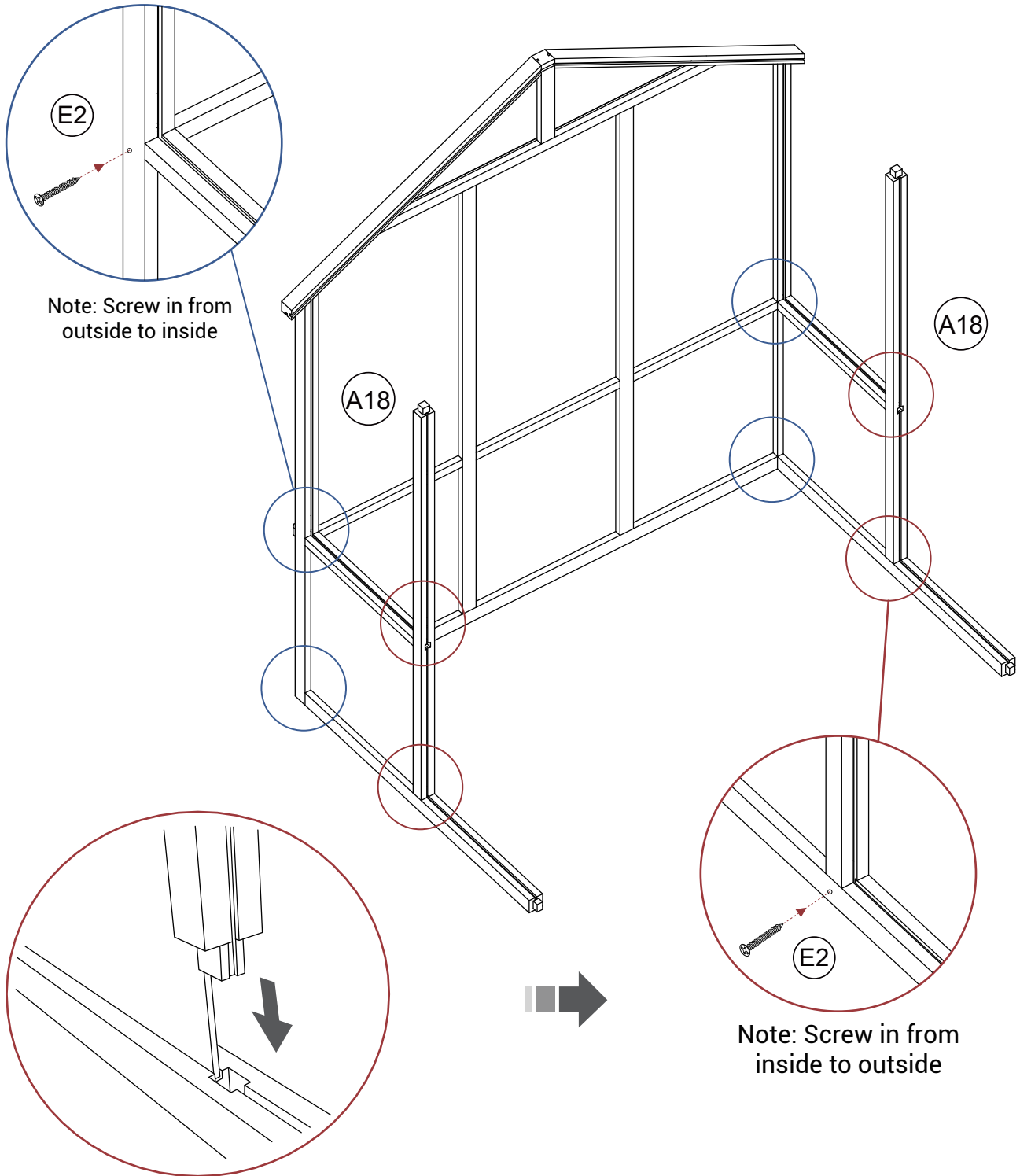
1. Insert C3 into A17
2. Align the A20 slot with C3 and push it inward until the plug is inserted into the socket



# STEP 24

## Side frame installation 3

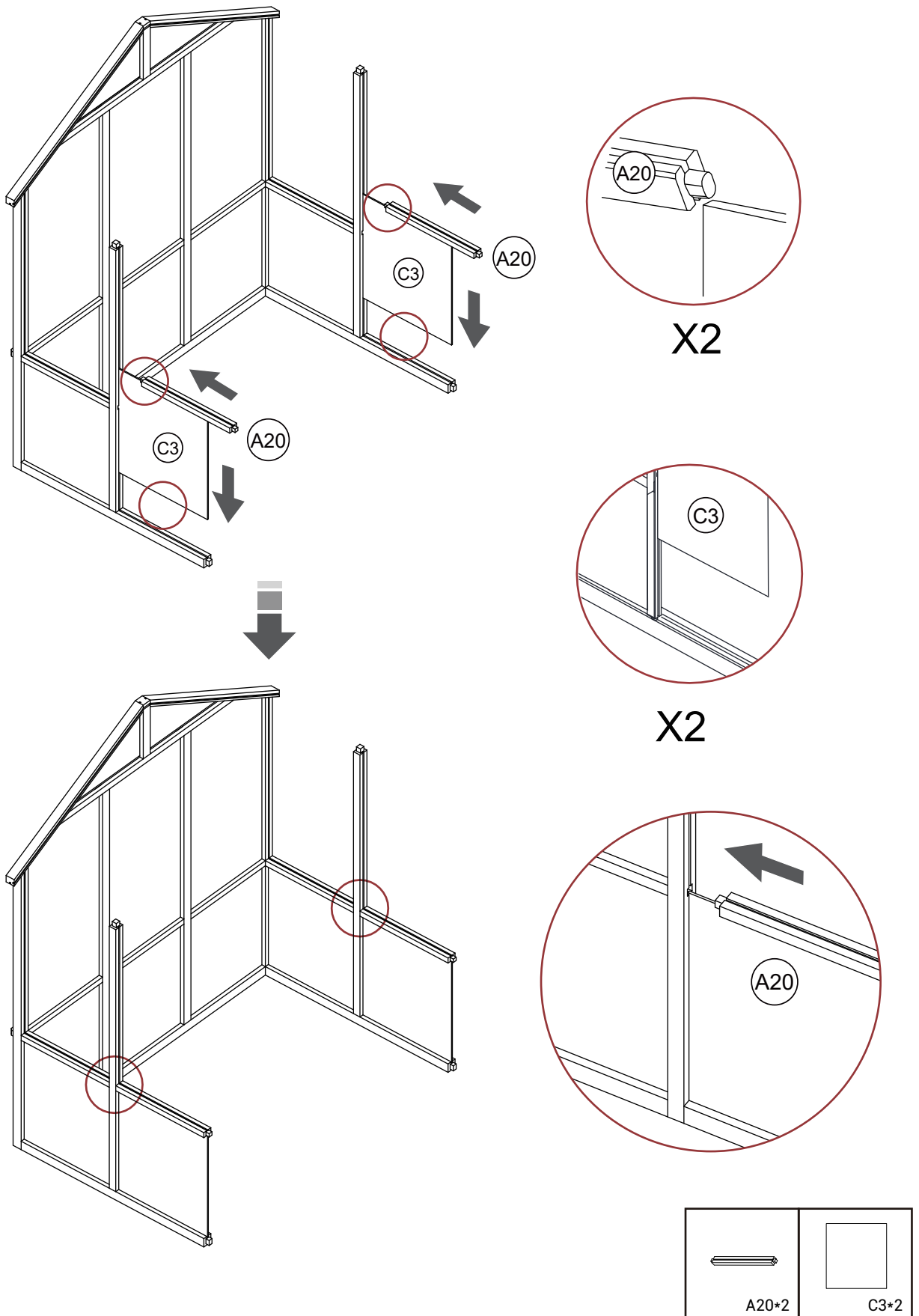
1. A18 is inserted downward into A17
2. Fix with E2



# STEP 25

## Side frame installation 4

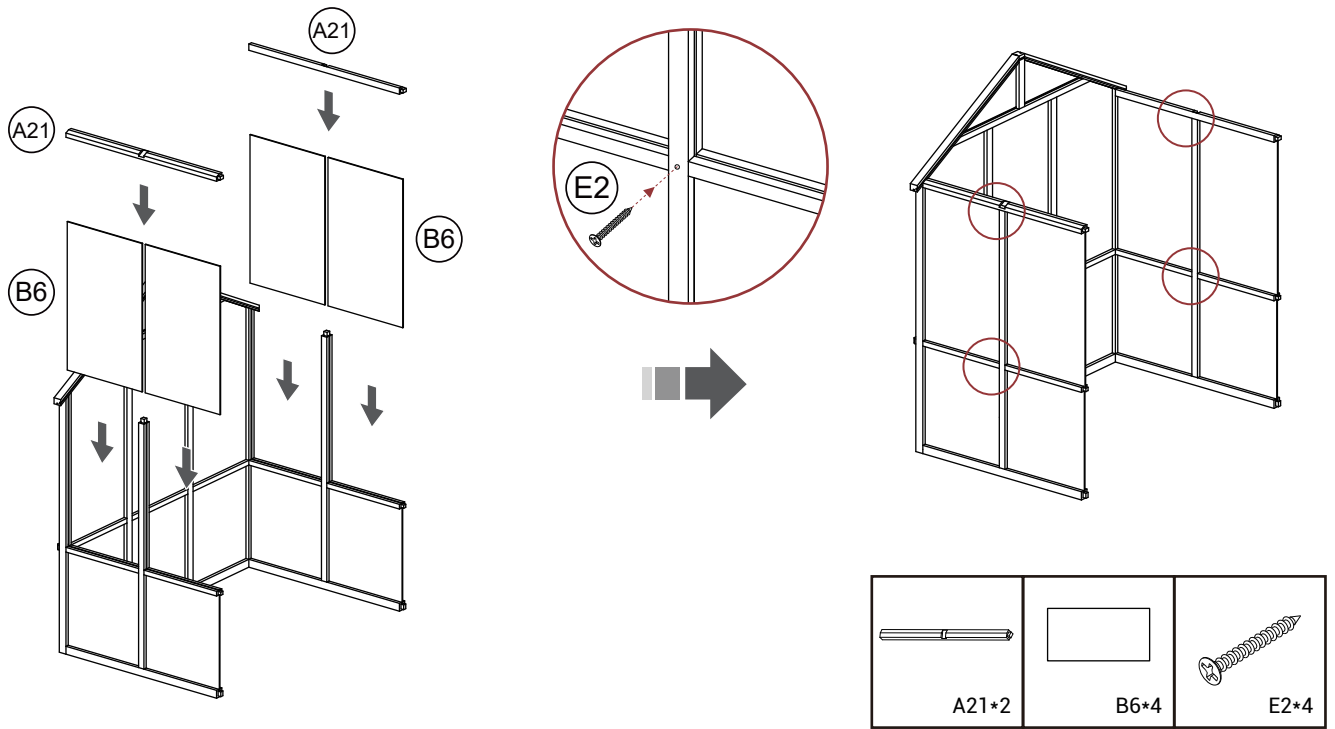
1. Insert C3 into A17
2. Align the A20 slot with C3 and push it inward until the plug is inserted into the socket



# STEP 26

## Side frame installation 5

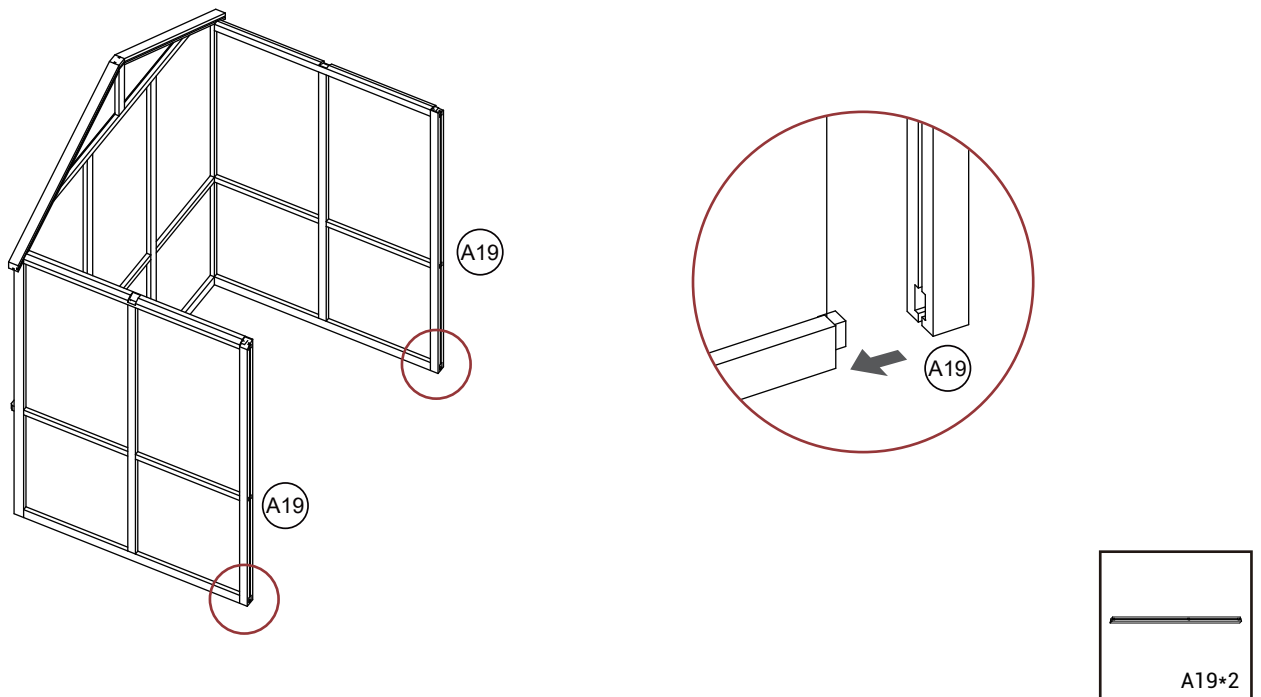
1. B6 and A21 are inserted into the side frame in sequence  
Note: Screw in from inside to outside



# STEP 27

## Side frame installation 6

1. A19 plugs into A17

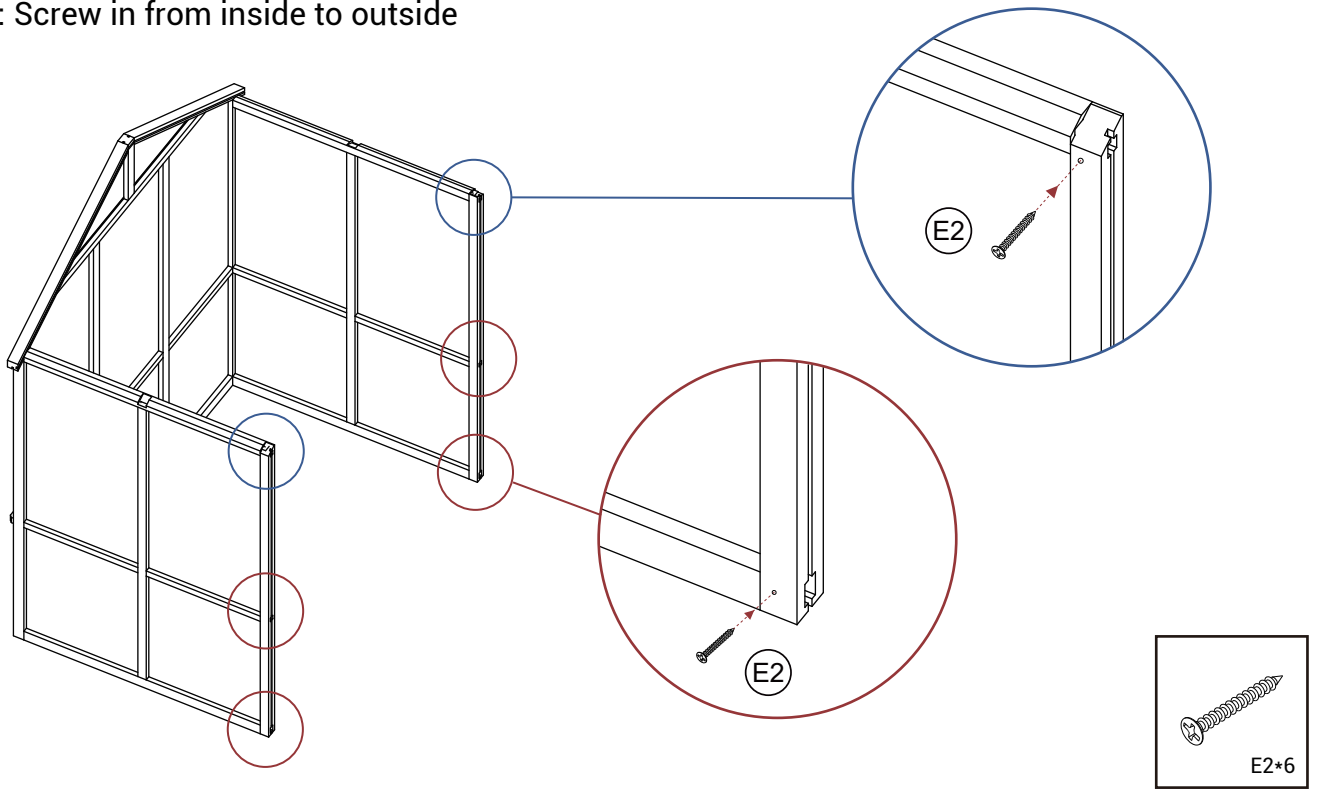


# STEP 28

## Side frame installation 7

1. Fix with E2

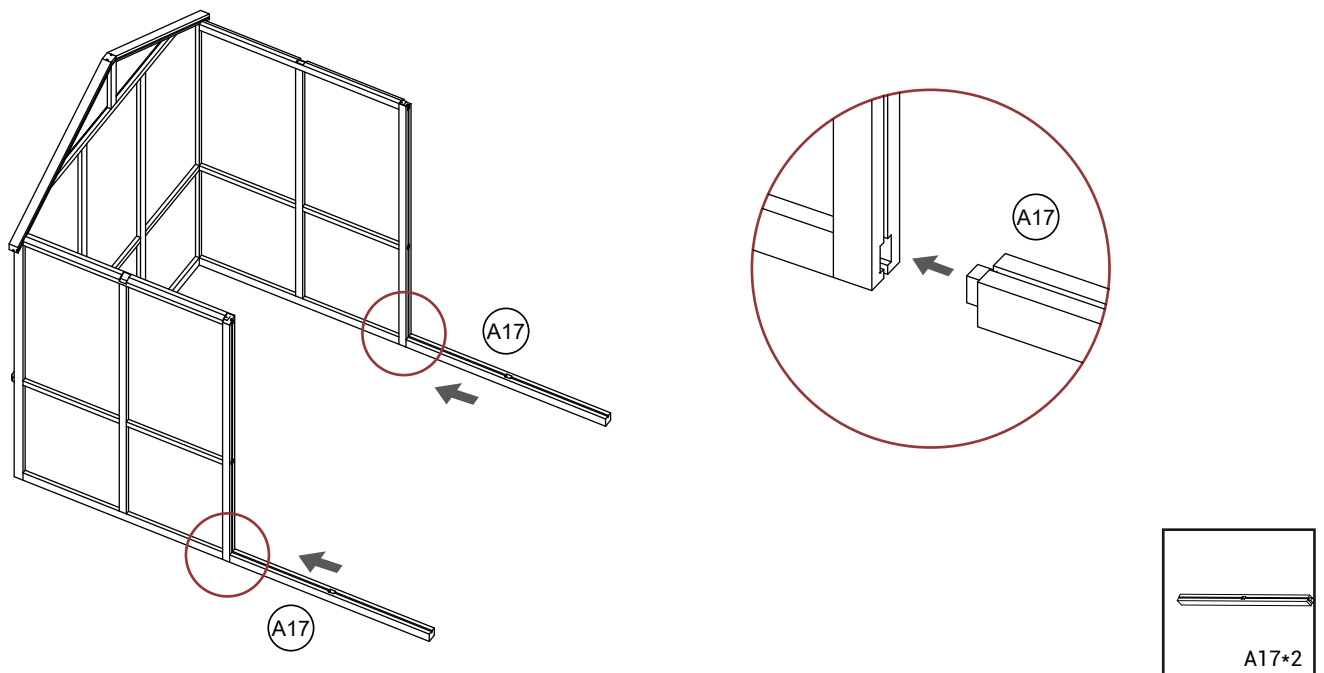
Note: Screw in from inside to outside



# STEP 29

## Side frame installation 8

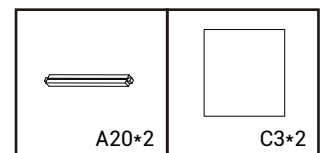
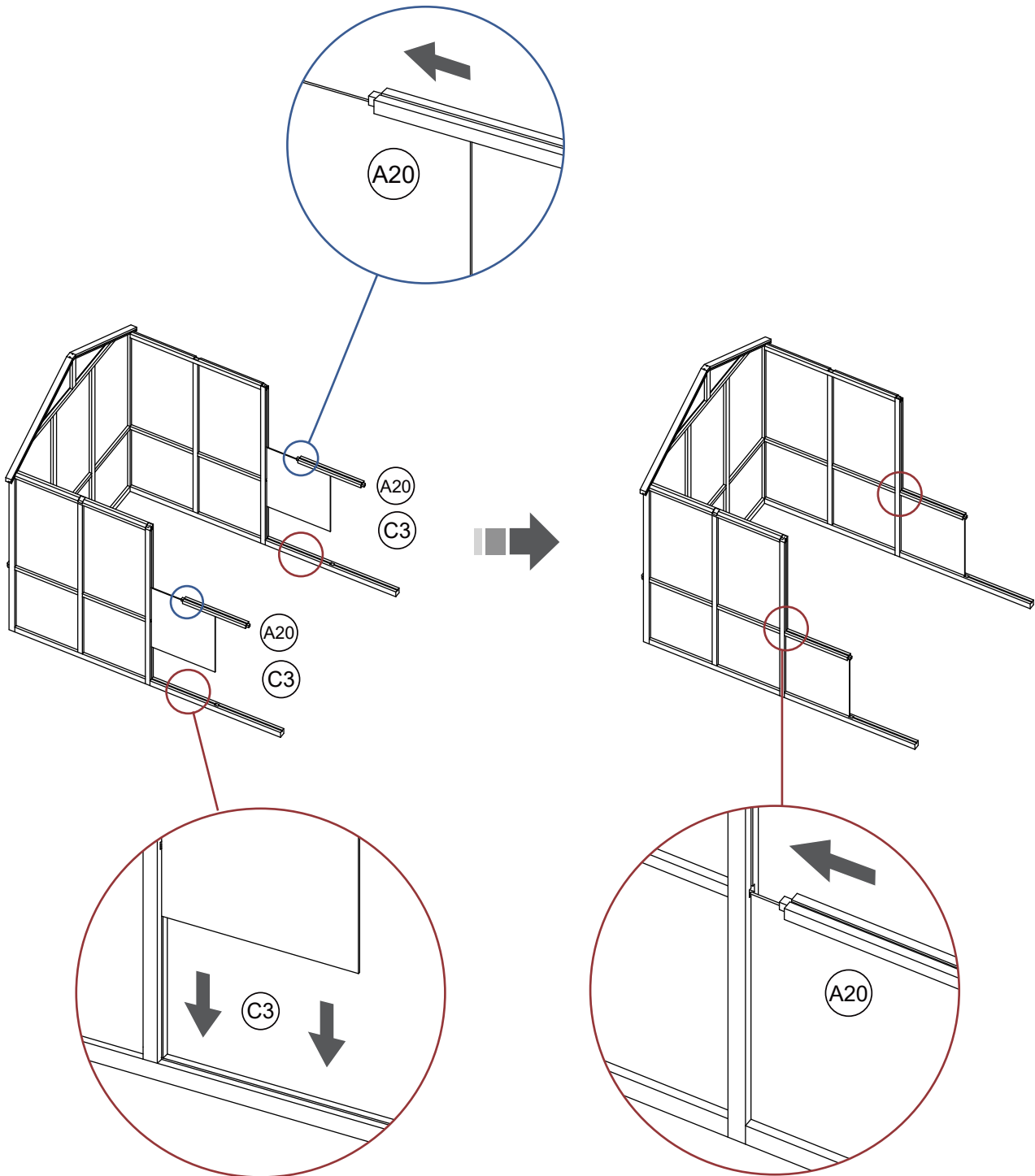
1. A17 inserted into A19



# STEP 30

## Side frame installation 9

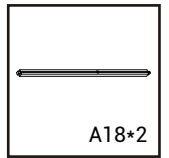
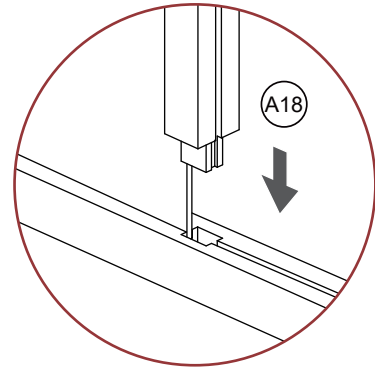
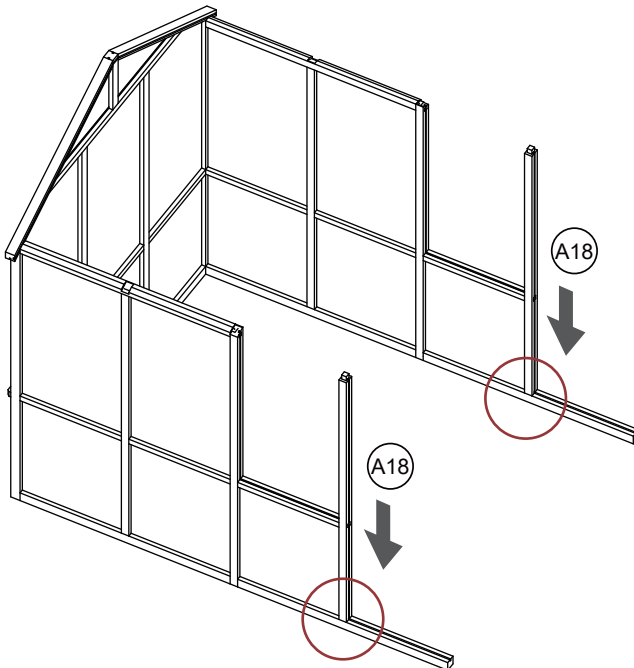
1. Insert C3 into A16
2. Align the A20 slot with C3 and push it inward until the plug is inserted into the socket



# STEP 31

## Side frame installation 10

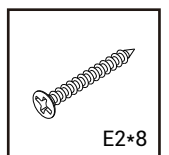
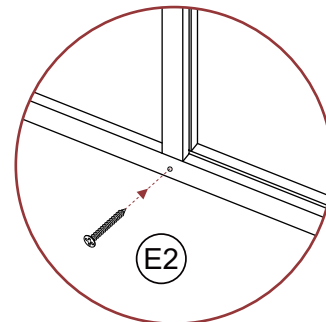
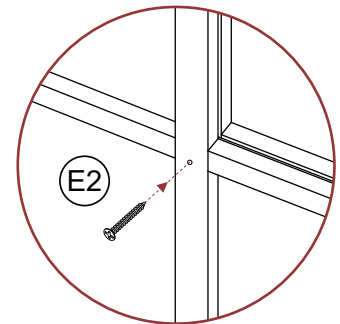
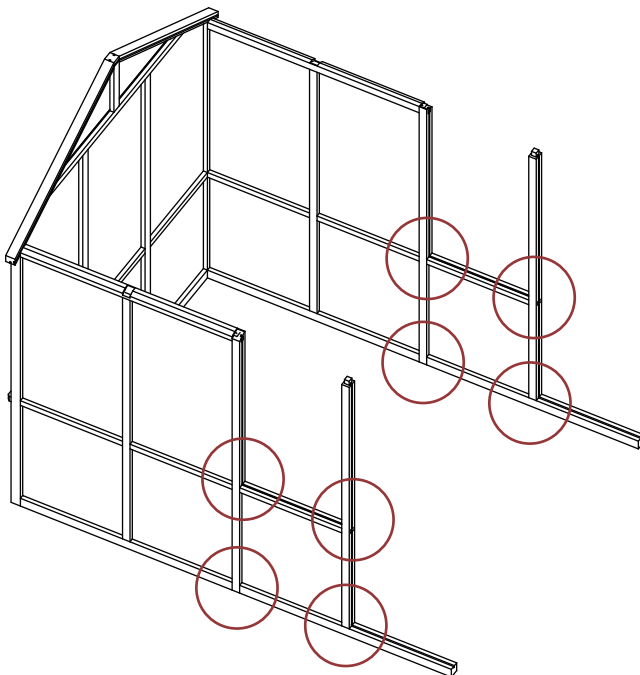
1. Insert A18 downward into A17



# STEP 32

## Side frame installation 11

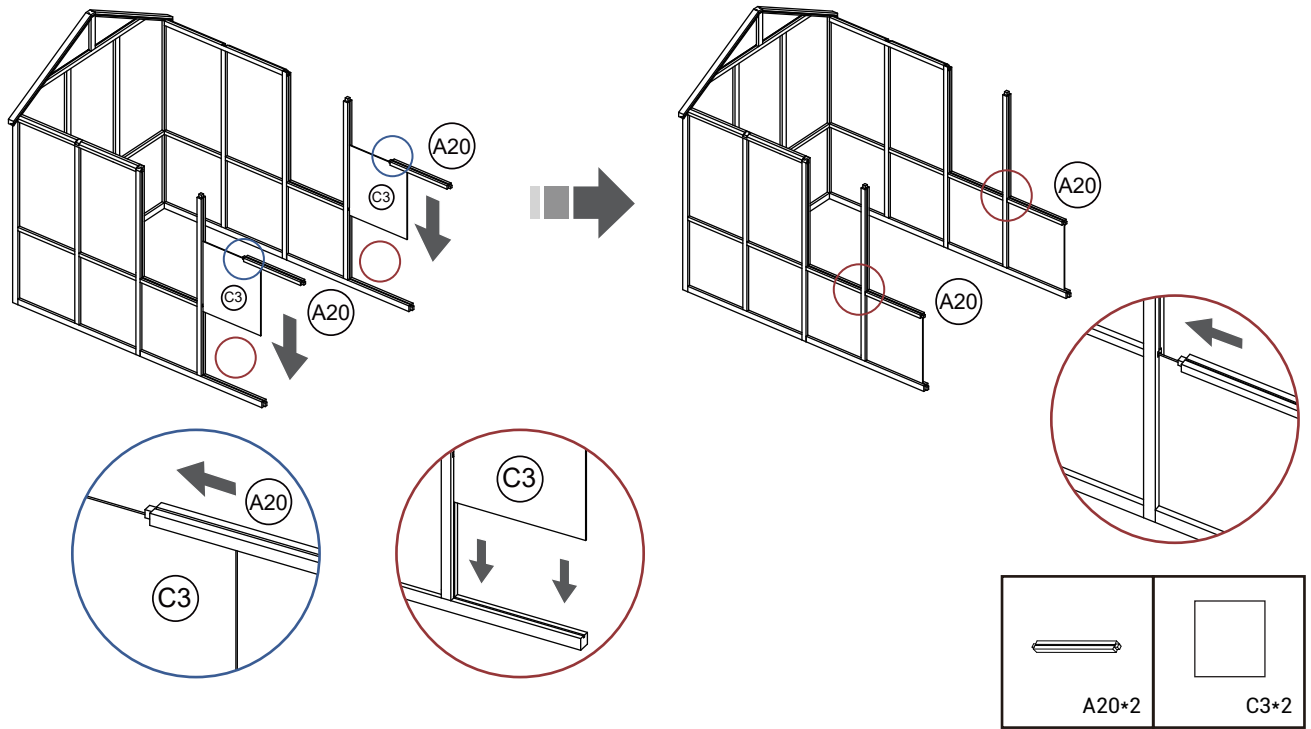
1. Fix with E2
- Note: Screw in from inside to outside



# STEP 33

## Side frame installation 12

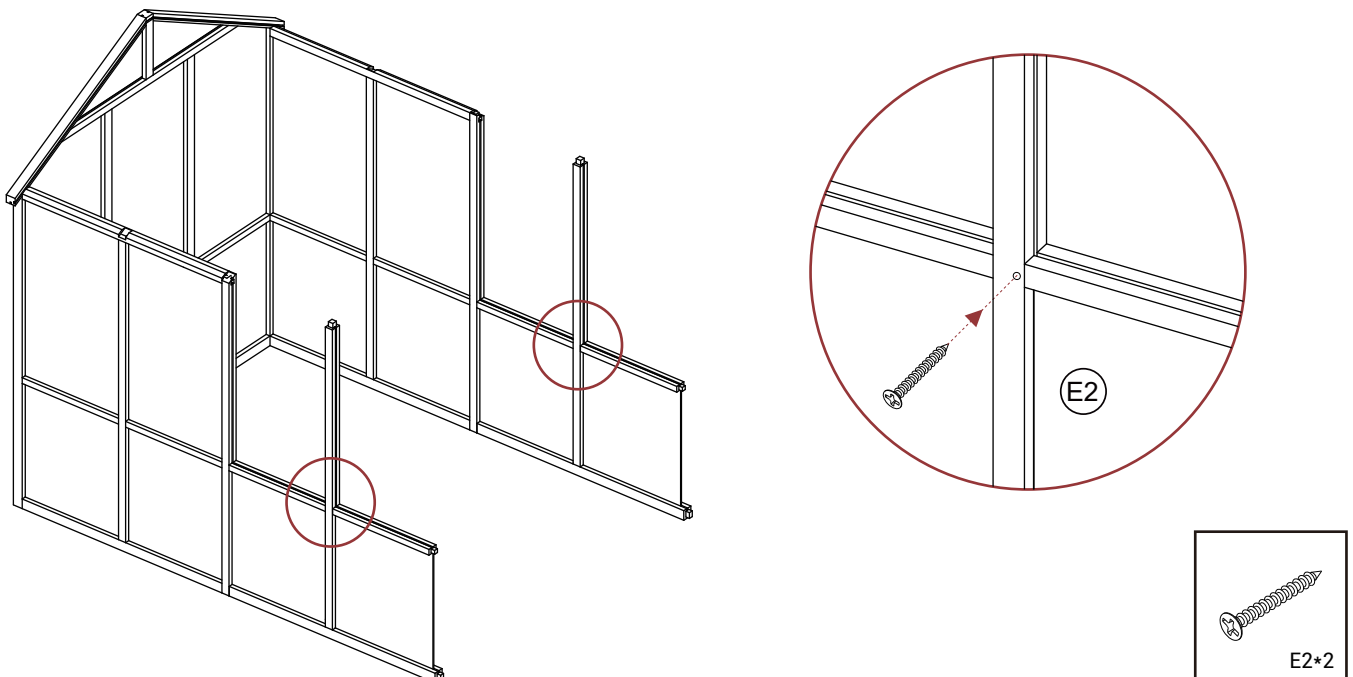
1. Insert C3 into A17
2. Align the A20 slot with C3 and push inward until the plug is inserted into the socket



# STEP 34

## Side frame installation 13

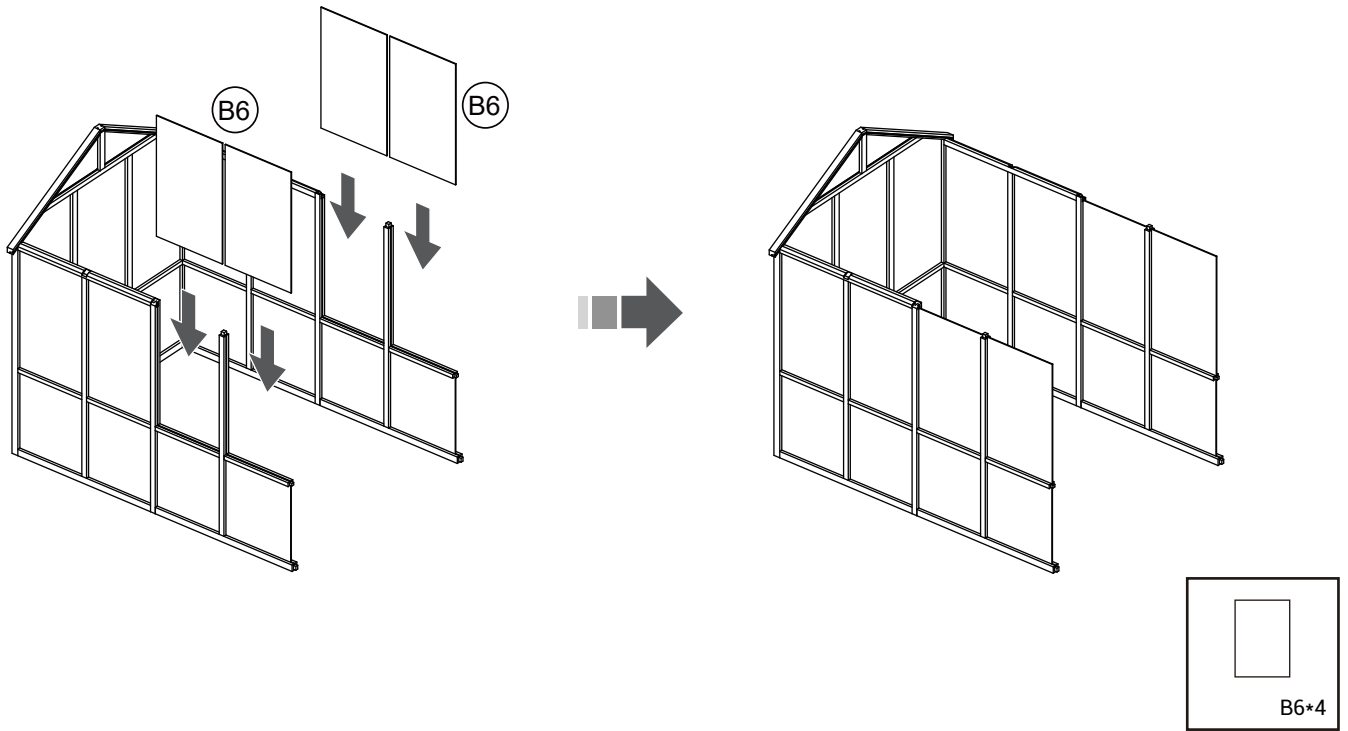
1. Fix with E2
- Note: Screw in from inside to outside



# STEP 35

## Side frame installation 14

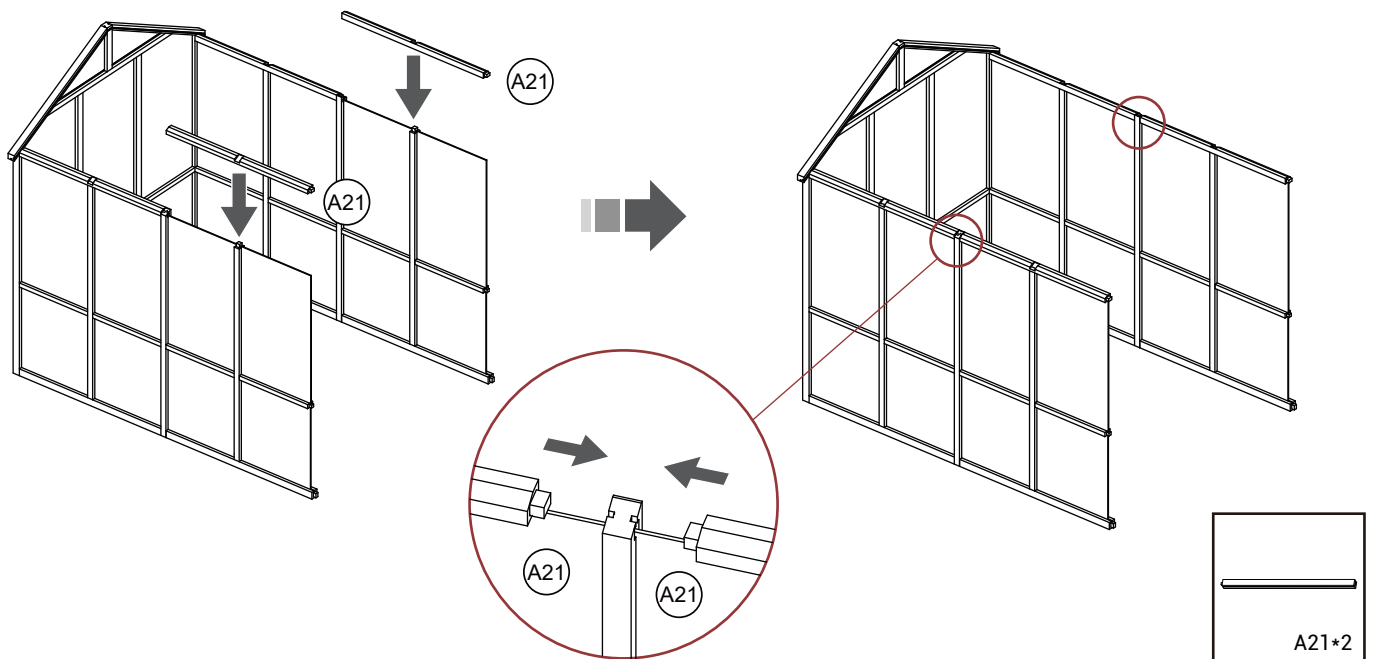
1. Insert B6 into the side frame



# STEP 36

## Side frame installation 15

1. Insert A21 into the side frame

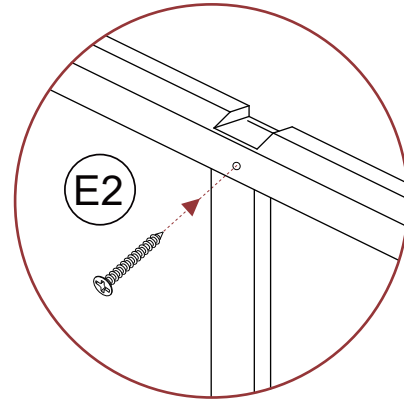
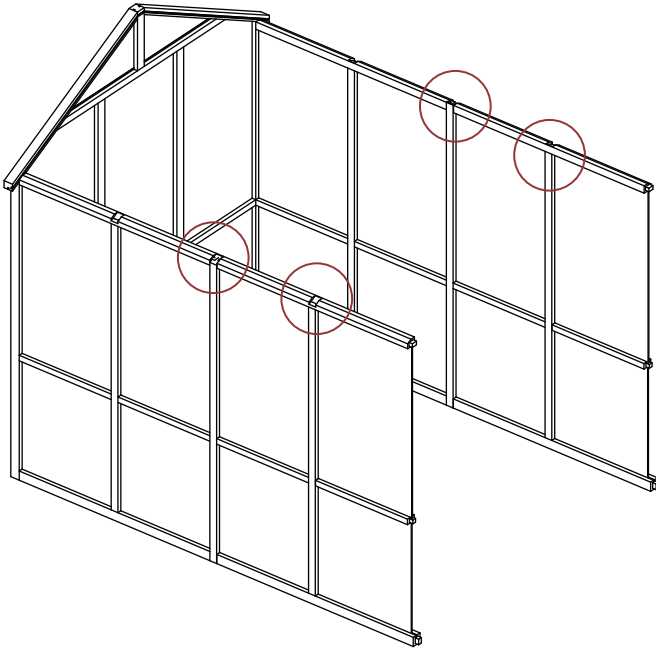


# STEP 37

## Side frame installation 16

1. Fix with E2

Note: Screw in from inside to outside



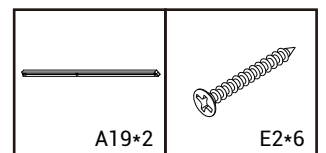
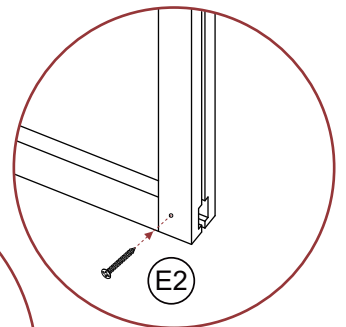
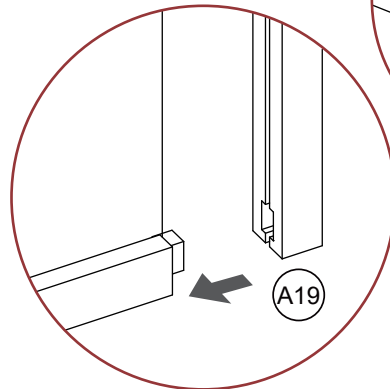
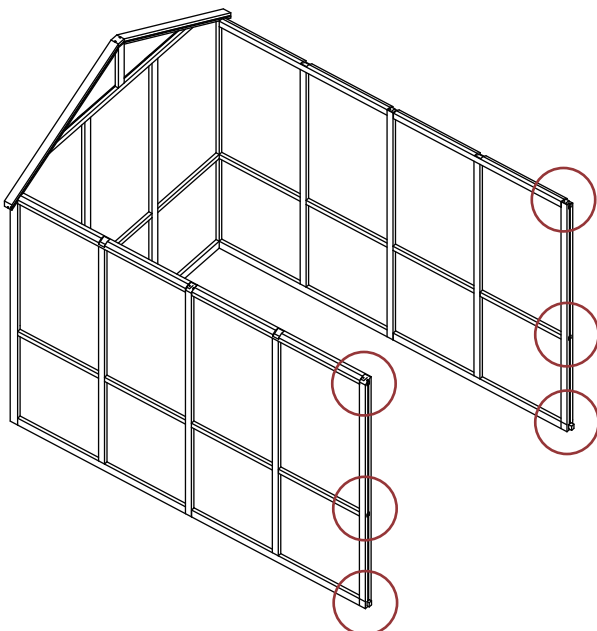
# STEP 38

## Side frame installation 17

1. A19 plugs into A17

2. Fix with E2

Note: Screw in from inside to outside

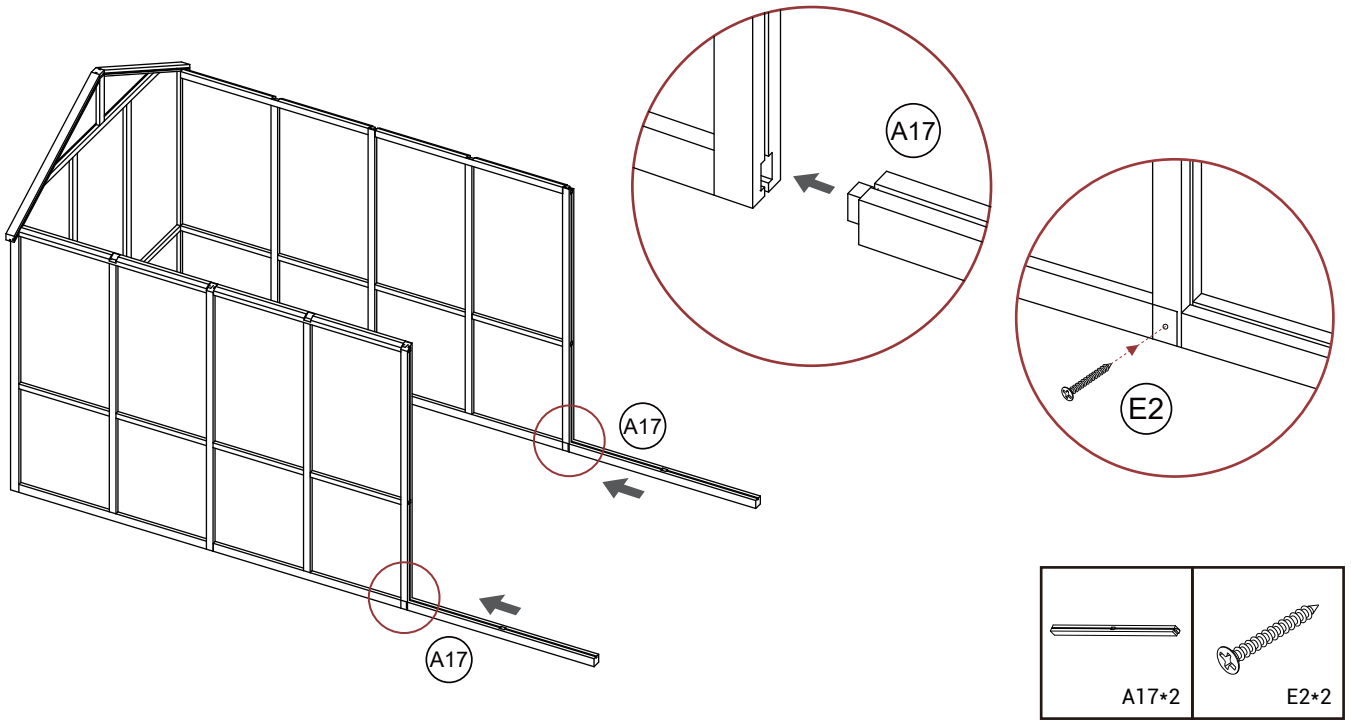


# STEP 39

## Side frame installation 18

1. A17 is inserted into A19
2. Fix with E2

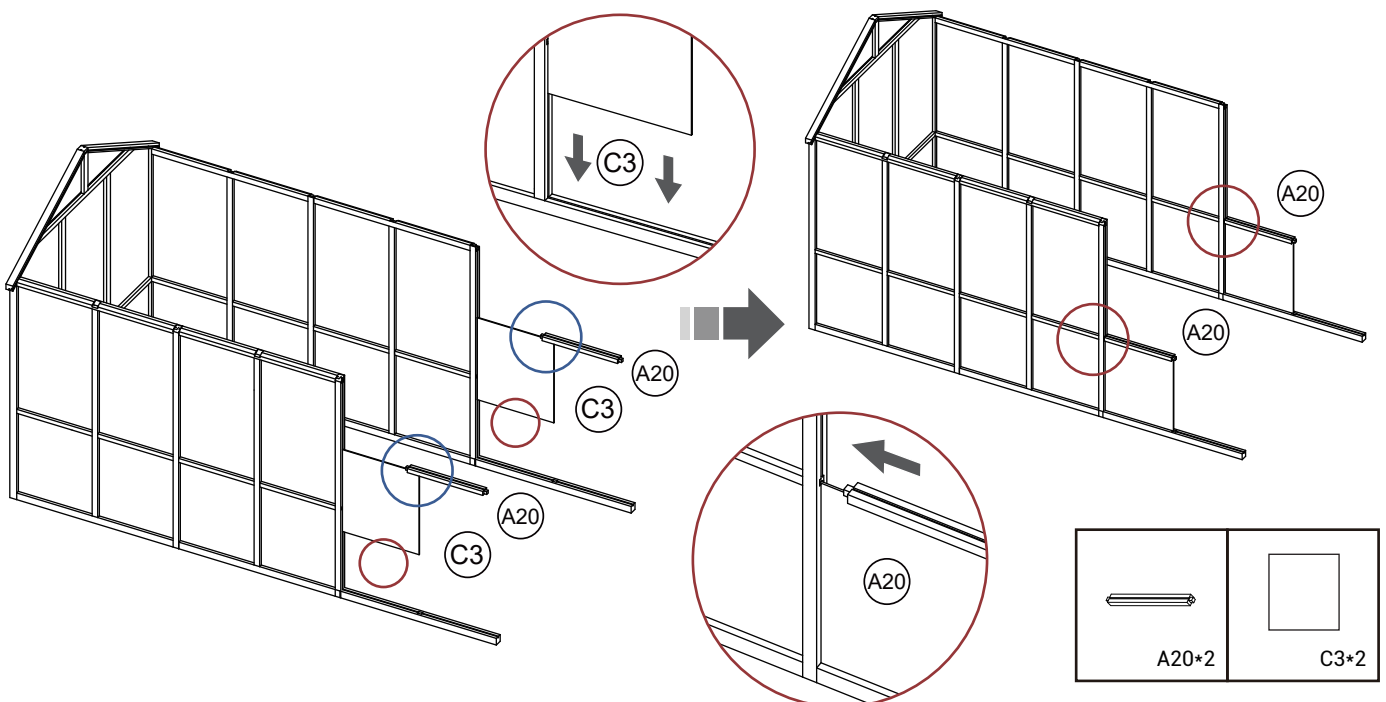
Note: Screw in from inside to outside



# STEP 40

## Side frame installation 19

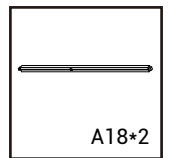
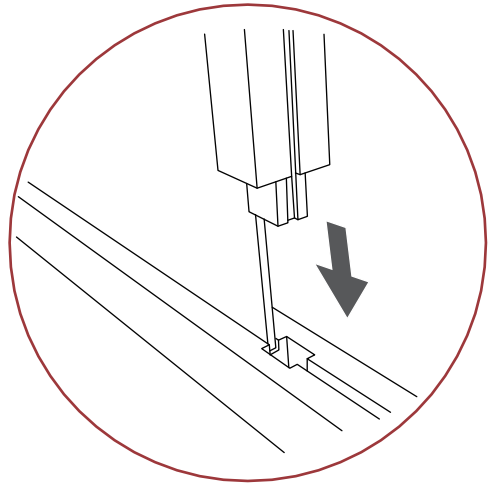
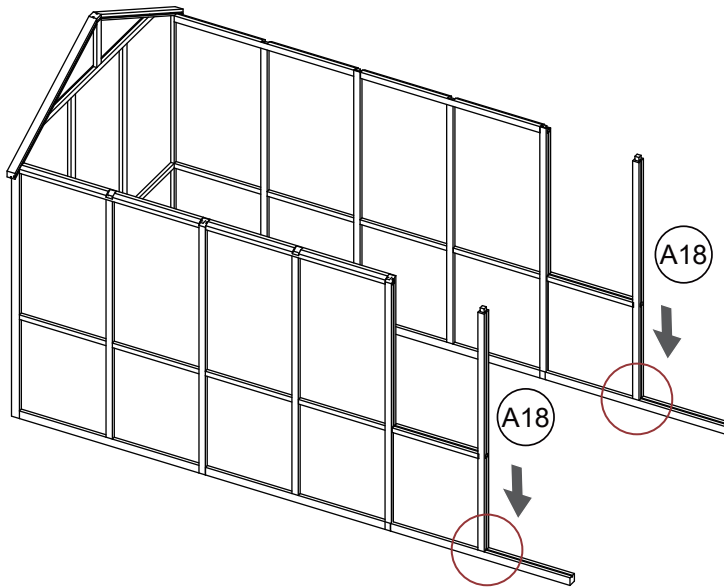
1. Insert C3 into A16
2. Align the A20 slot with C3 and push it inward until the plug is inserted into the socket



# STEP 41

## Side frame installation 19

1. A18 is inserted downward into A17

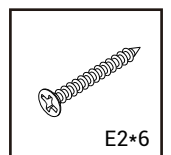
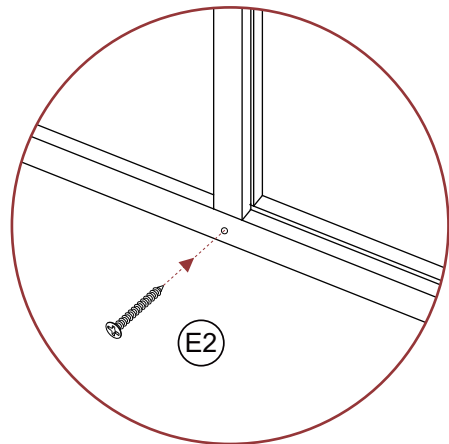
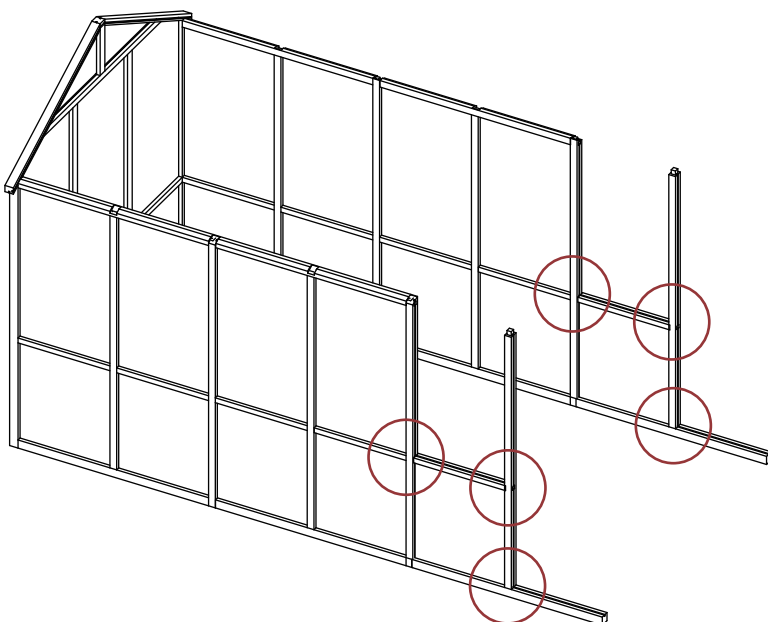


# STEP 42

## Side frame installation 20

1. Fix with E2

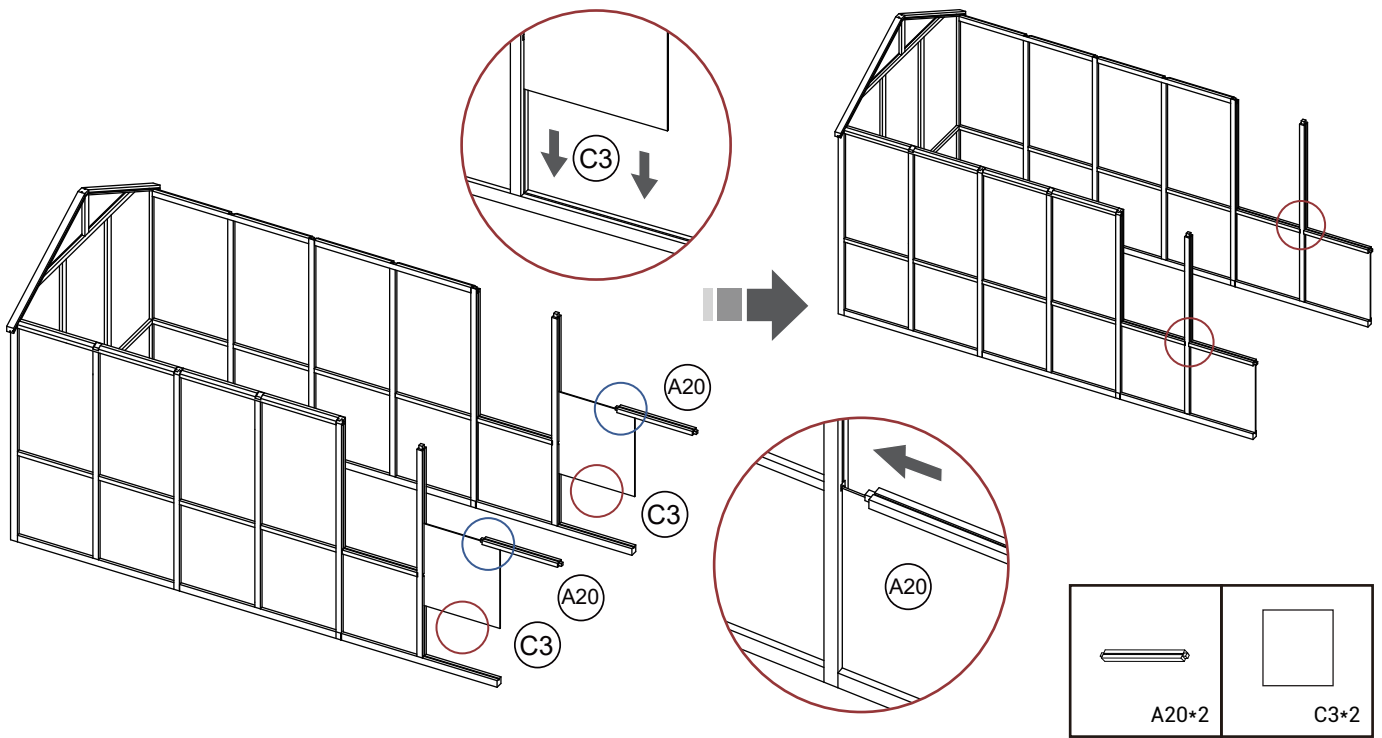
Note: Screw in from inside to outside



# STEP 43

## Side frame installation 21

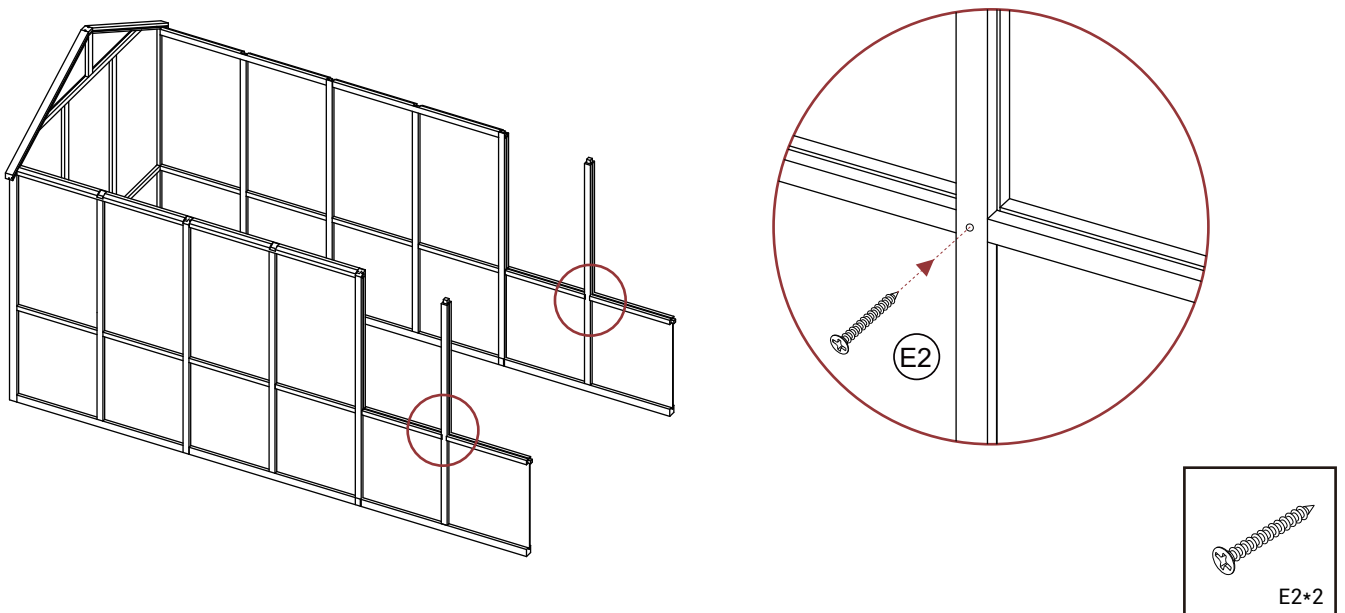
1. Insert C3 into A17
2. Align the A20 slot with C3 and push it inward until the plug is inserted into the socket



# STEP 44

## Side frame installation 22

1. Fix with E2
- Note: Screw in from inside to outside

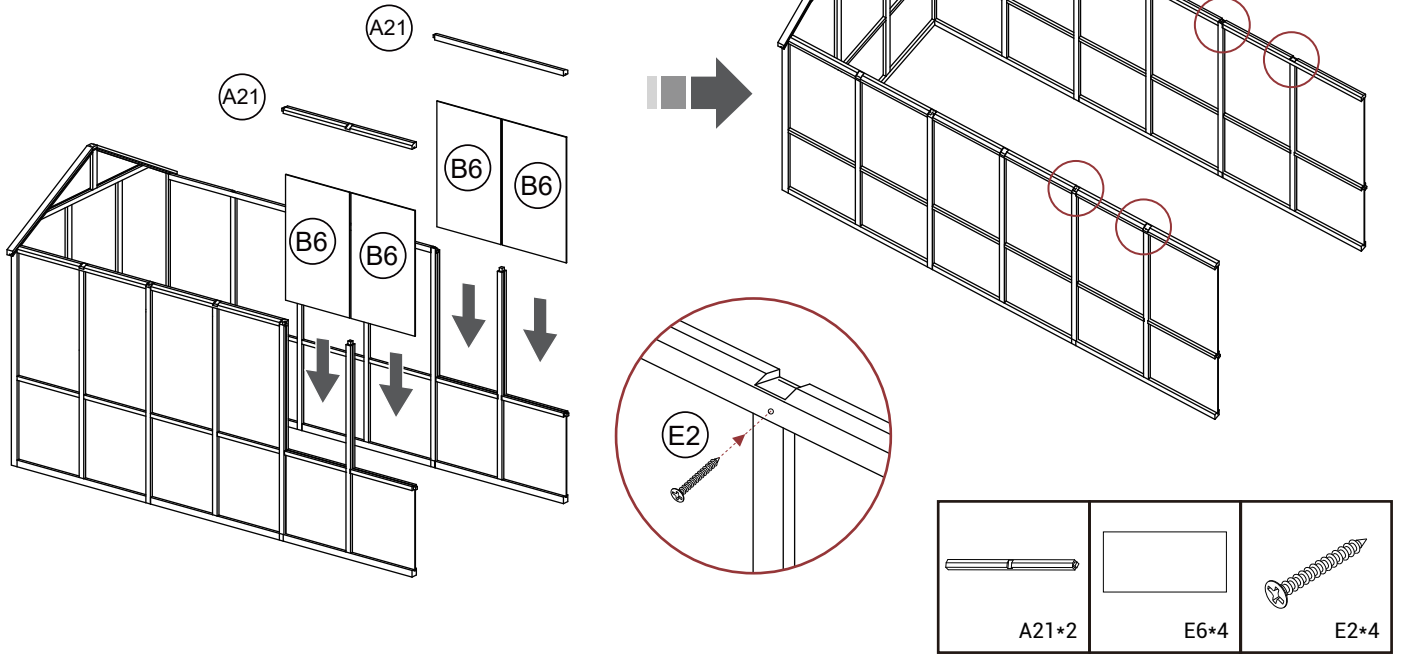


# STEP 45

## Side frame installation 23

1. Insert B6 and A21 into the side frame in order
2. Fix with E2

Note: Screw in from inside to outside

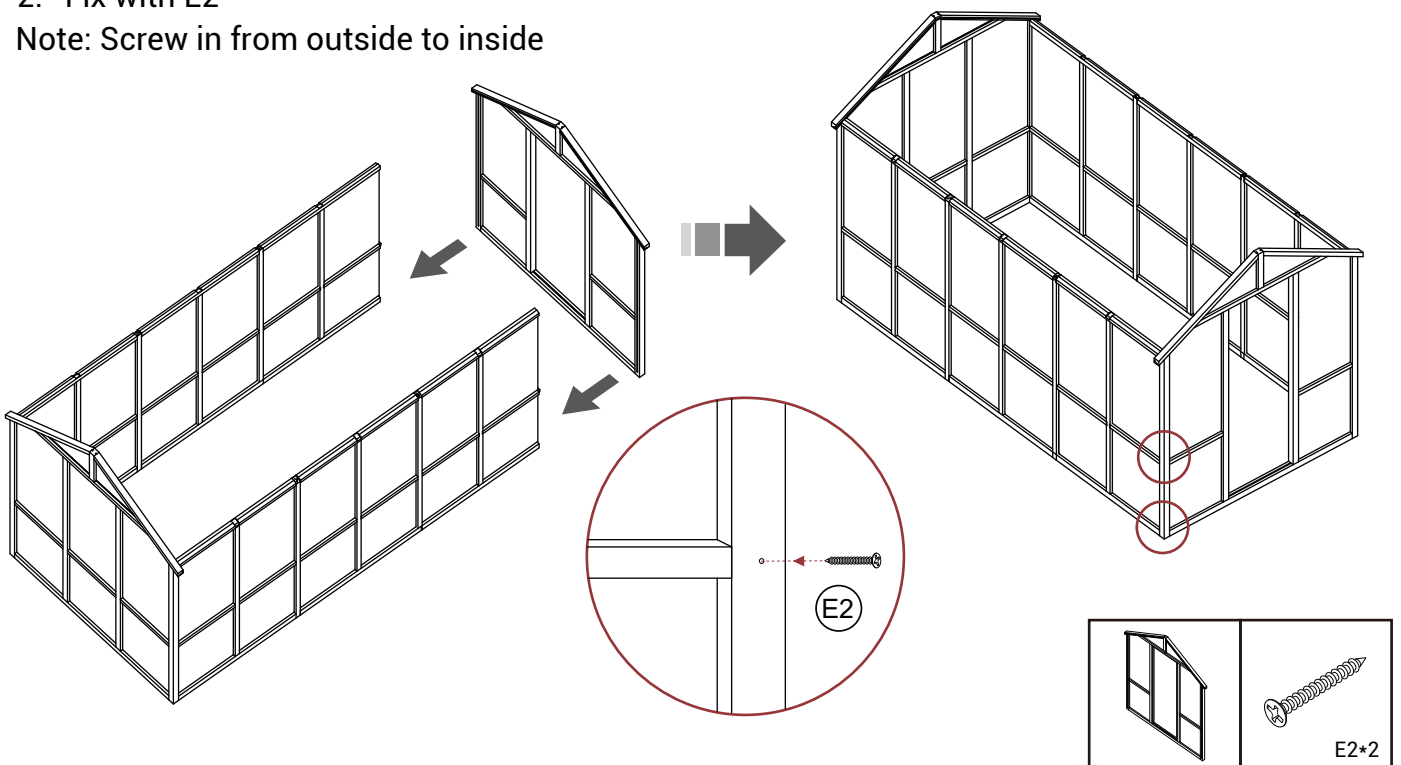


# STEP 46

## Side frame installation 24

1. Install the front frame
2. Fix with E2

Note: Screw in from outside to inside

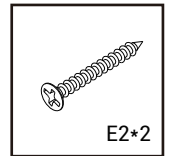
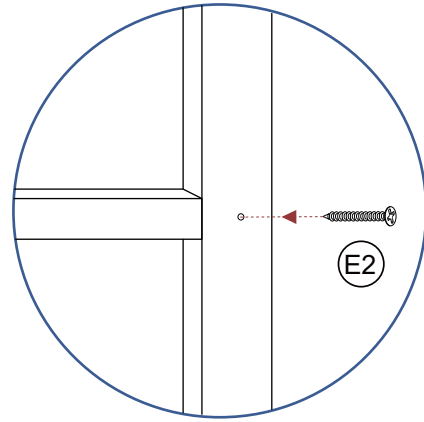
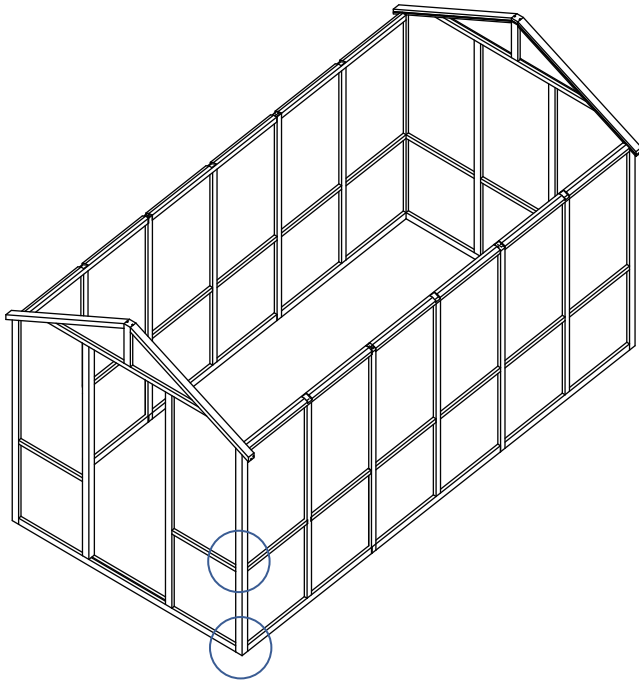


# STEP 47

## Side frame installation 25

1. Fix with E2

Note: Screw in from outside to inside

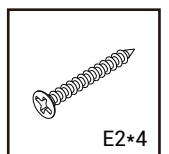
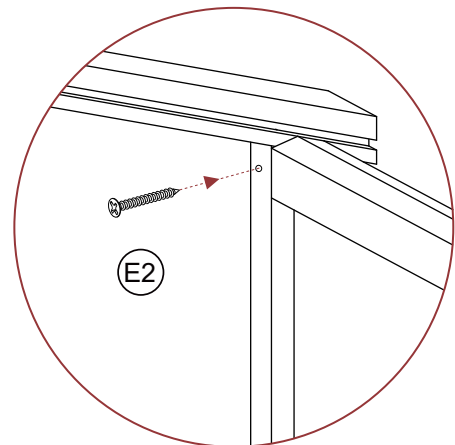
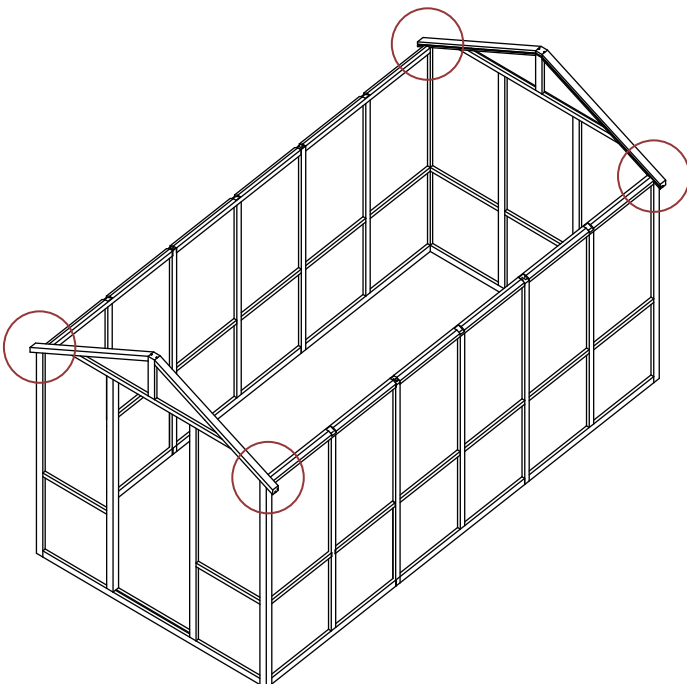


# STEP 48

## Side frame installation 26

1. Fix with E2

Note: Screw in from inside to outside

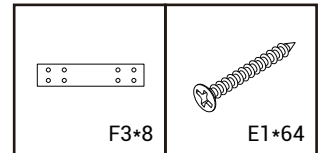
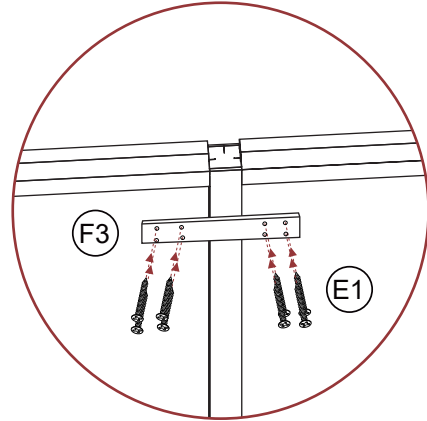
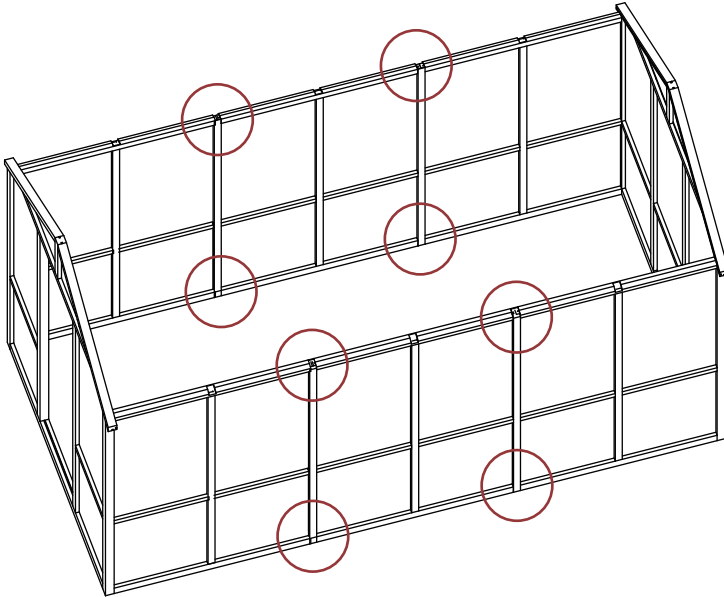


# STEP 49

## Side frame installation 27

1. F3 is placed at the connection between A22 and A22, and fixed with E1
2. F3 is placed at the connection between A17 and A18, and fixed with E1

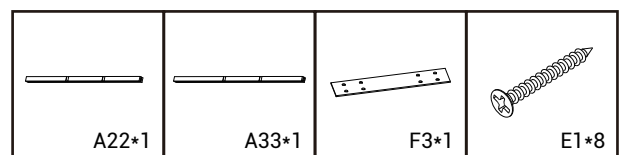
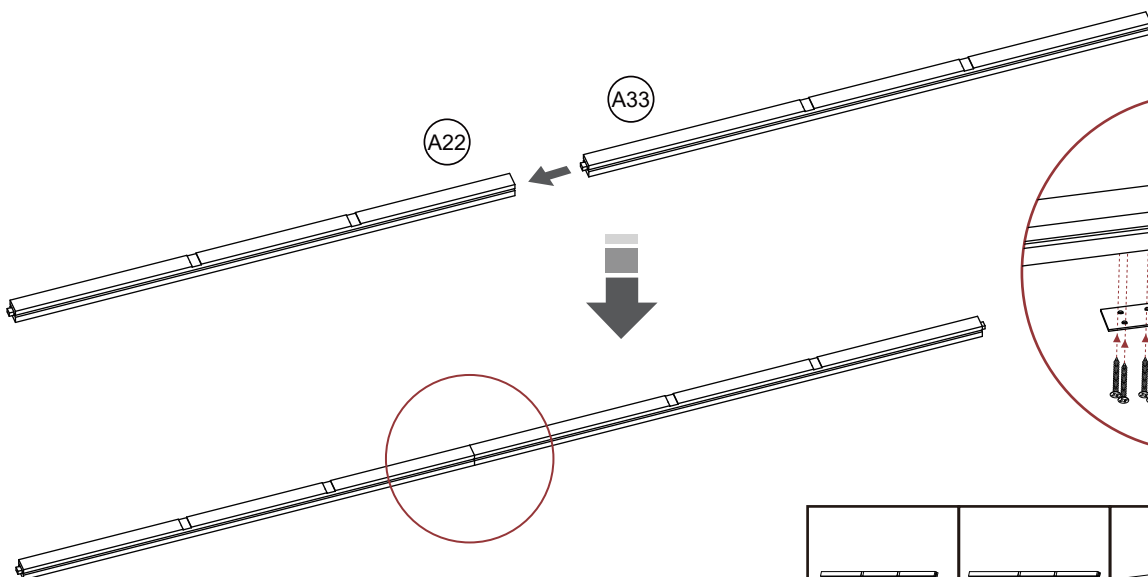
Note: All four F3s are fixed inside the greenhouse



# STEP 50

## Beam installation 1

1. Align the A22 plug with the A33 socket and connect them together
2. Fix them with F3 and E2 at the bottom of the crossbeam joint

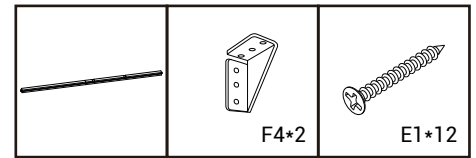
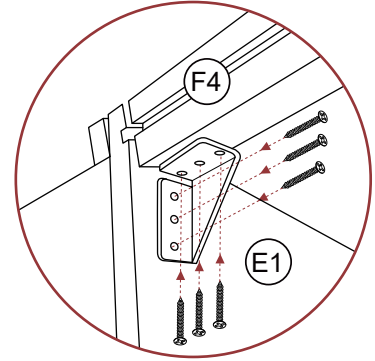
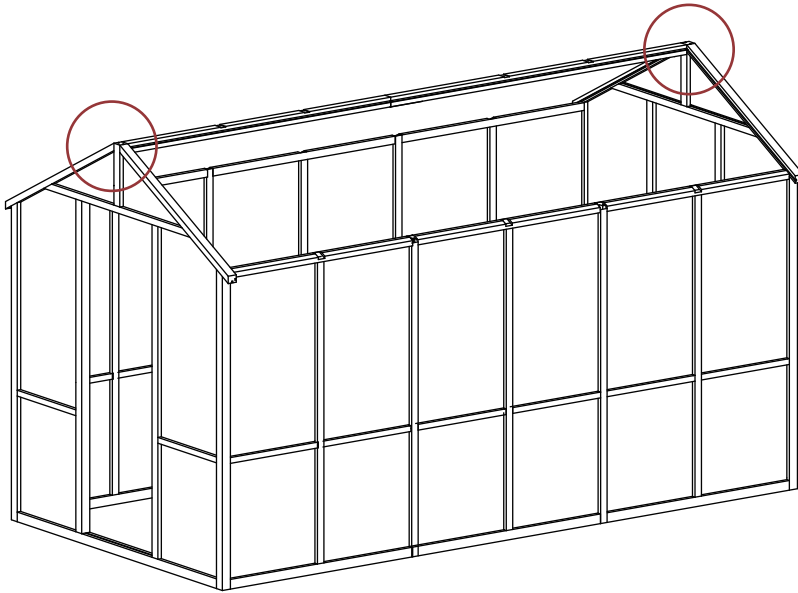


# STEP 51

## Beam installation 2

1. Place the assembled beam on the vertical support of the greenhouse
2. Use F4 to fix the beam and vertical support, Use E1 to fix

Note: Minor sagging of the A22/A33 crossbeam during installation is normal. This will fully resolve after securing the F6 unit in later steps

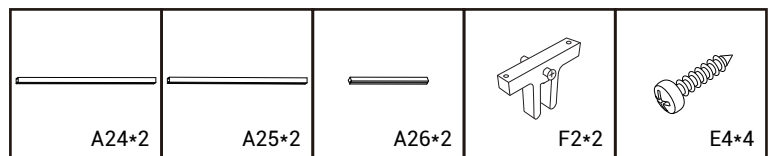
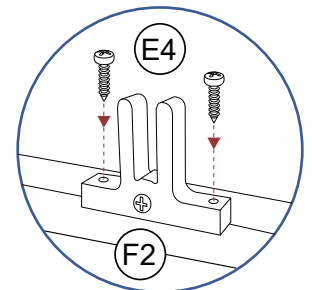
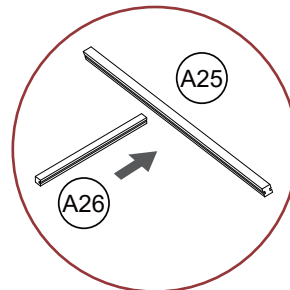
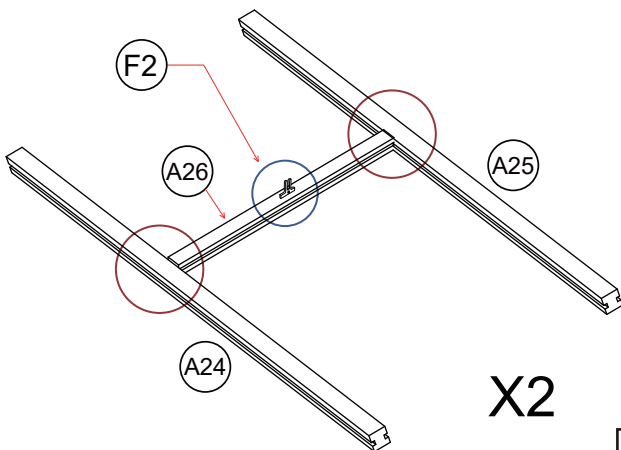


# STEP 52

## Installation of the sunroof frame 1

1. Insert A26 into the sockets of A24 and A25
2. Fix F2 on A26 with E4

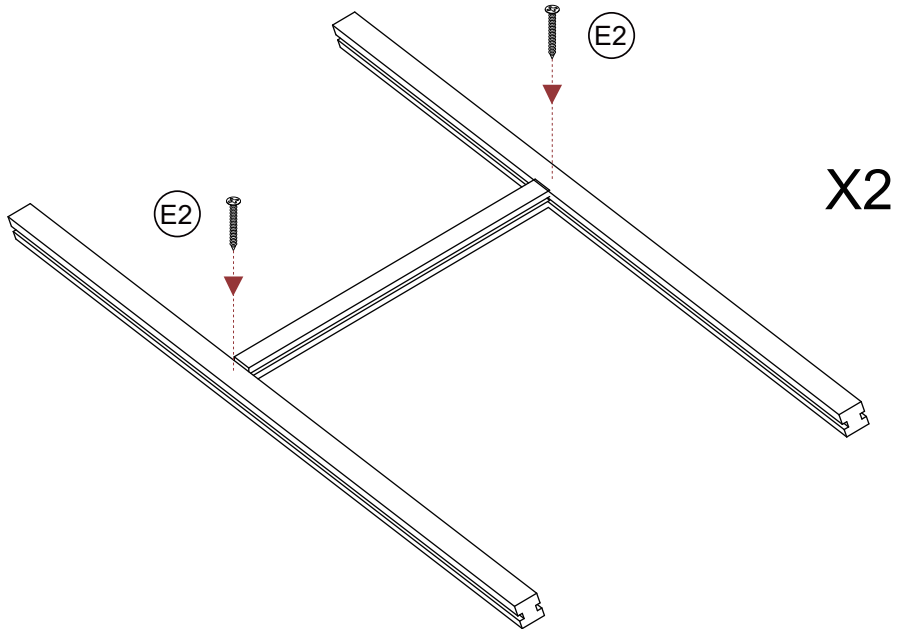
Note: Plastic part F2 is at the bottom



# STEP 53

## Installation of the sunroof frame 2

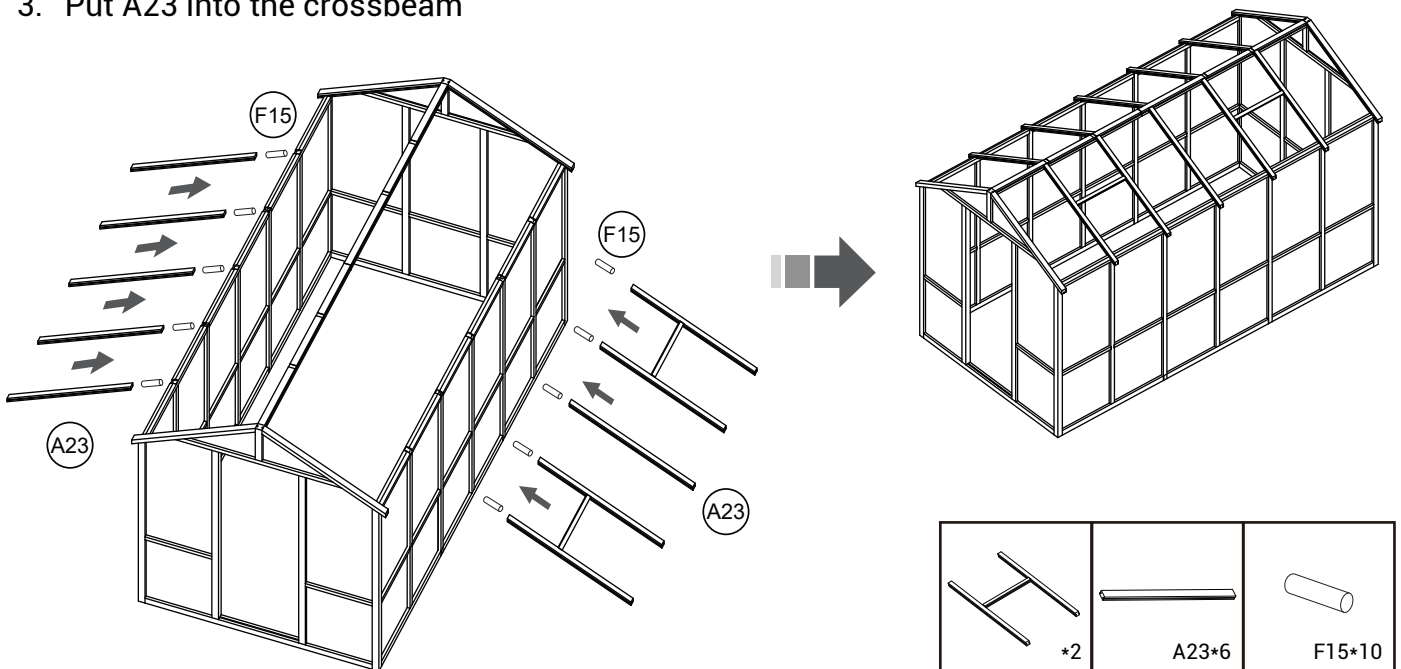
1. E2 fixes the skylight frame



# STEP 54

## Installation of diagonal braces and skylight frame

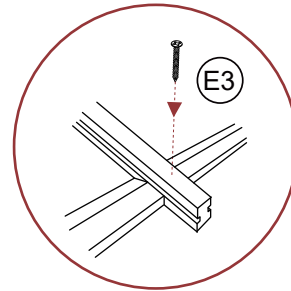
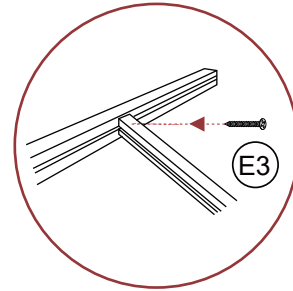
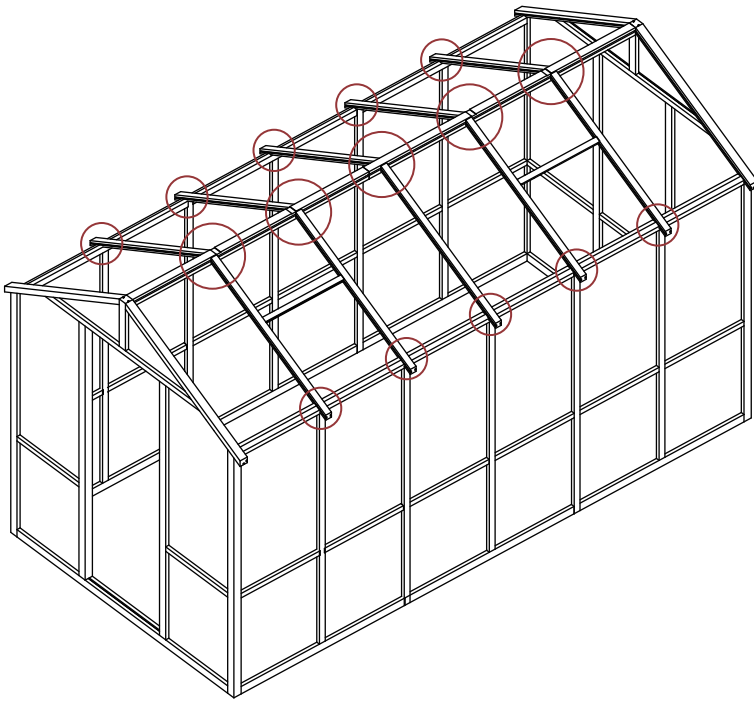
1. Insert F15 into the crossbeam
2. Put the sunroof frame into the crossbeam
3. Put A23 into the crossbeam



# STEP 55

## Fix the diagonal brace and skylight frame

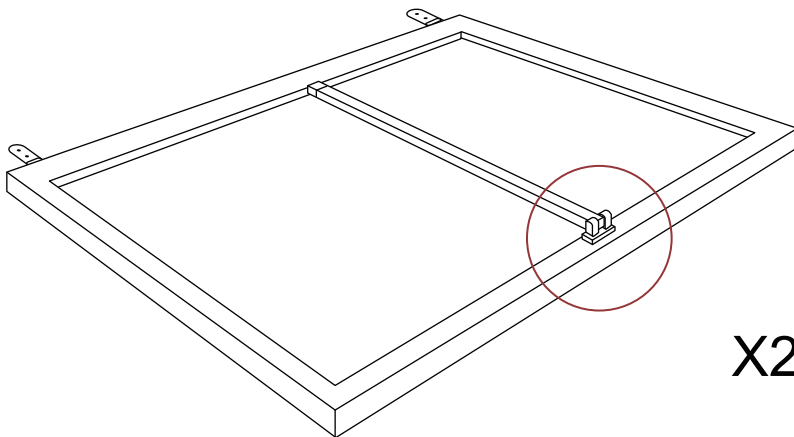
1. Use an electric drill to drive E3 into the position shown in the figure



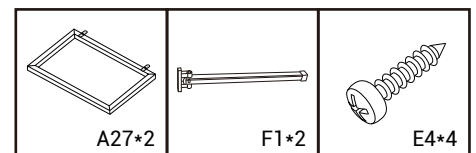
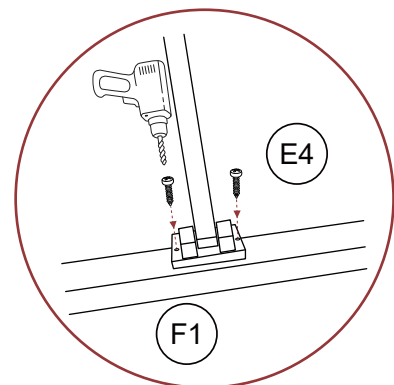
# STEP 56

## Skylight installation

1. Use E4 to fix F1 on the back of the skylight



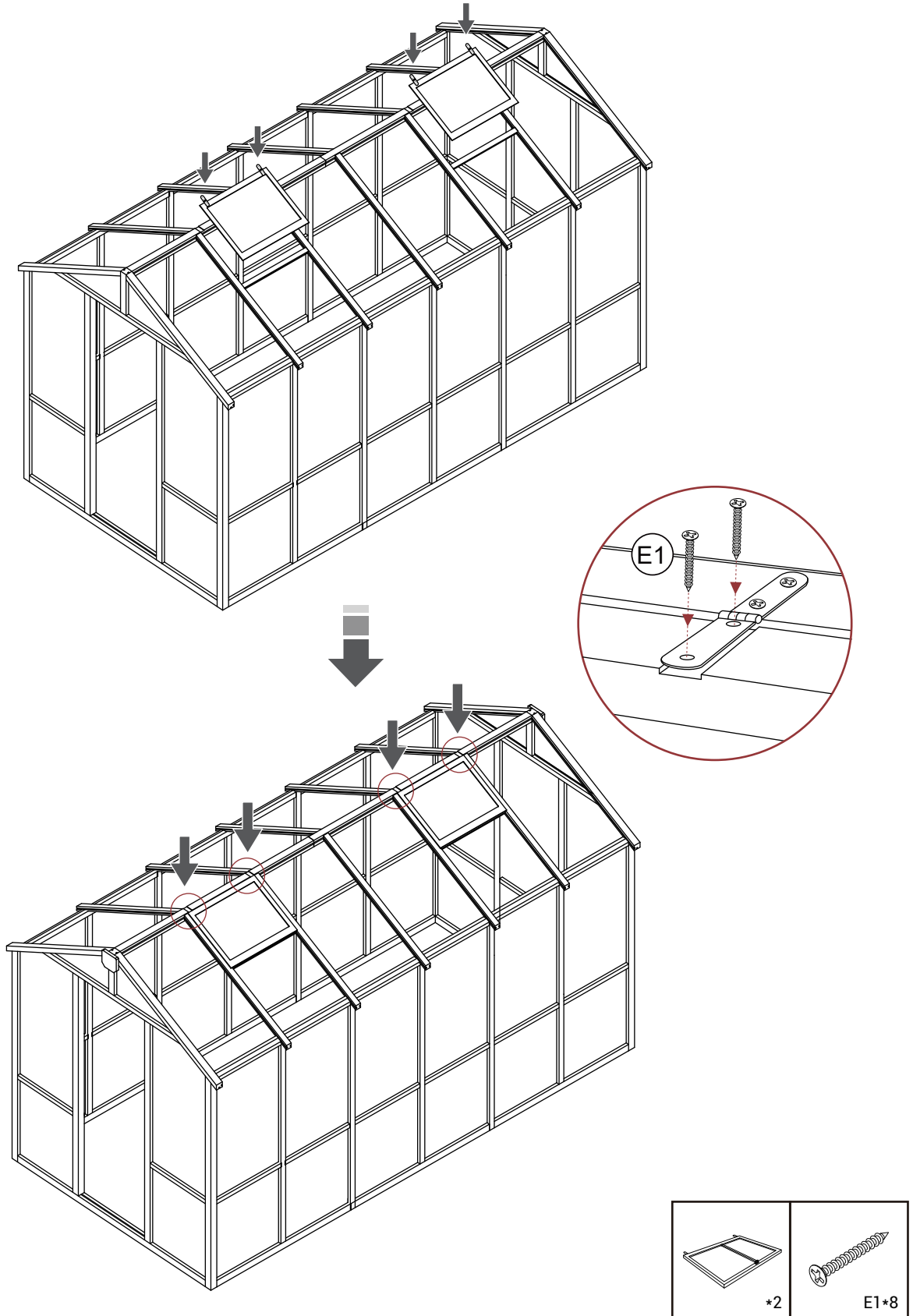
X2



# STEP 57

## Skylight installation

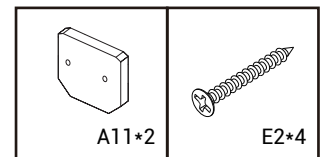
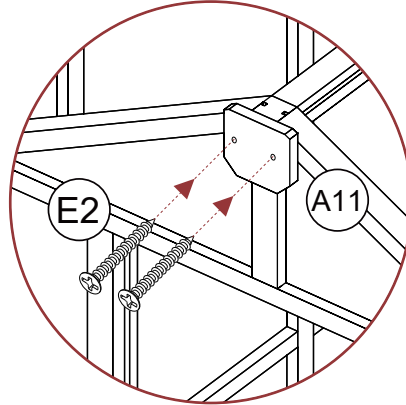
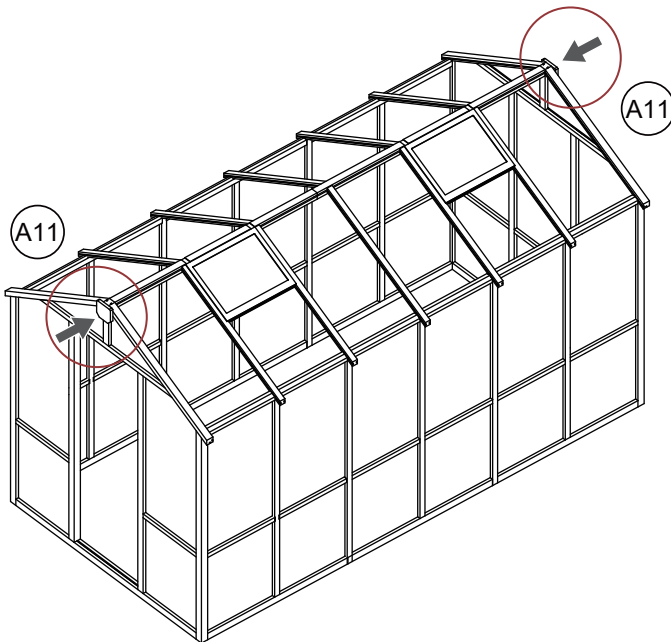
1. Place the installed skylight on the greenhouse
2. Align F10 on the skylight with the beam and use an electric drill to drill E1 into the F10 hole



# STEP 58

## Installation of front and rear frame trims

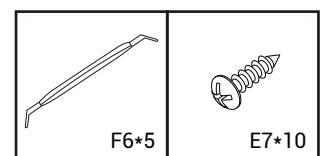
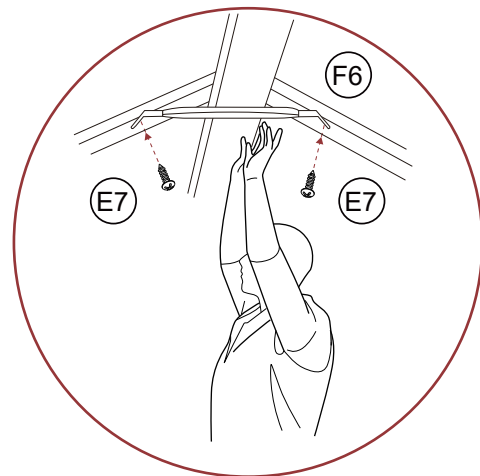
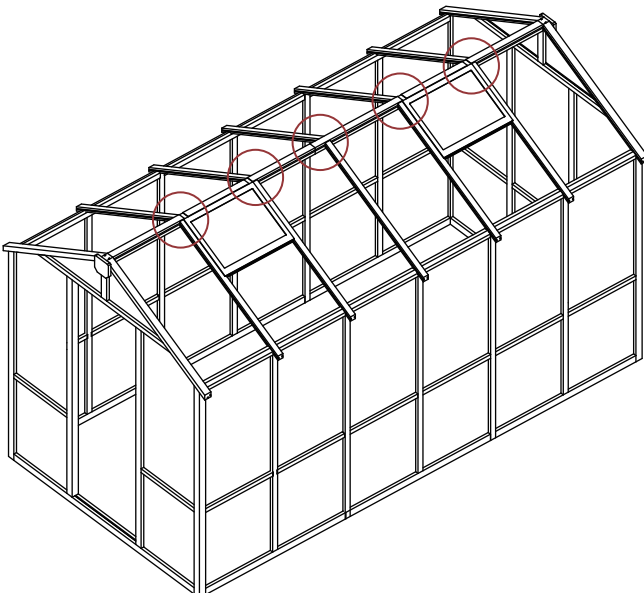
1. Place A11 on the front and rear frames of the greenhouse as shown in the figure
2. Use an electric drill to drive E2 in and secure it



# STEP 59

## Roof cover installation

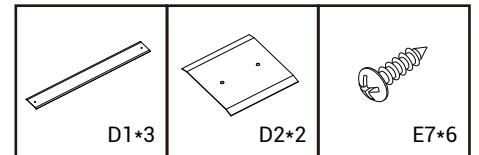
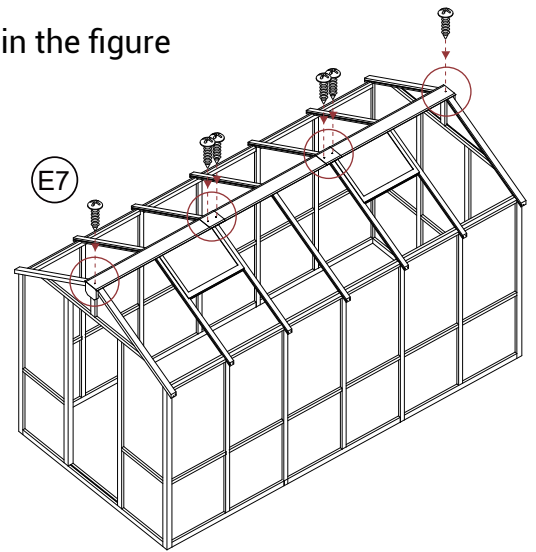
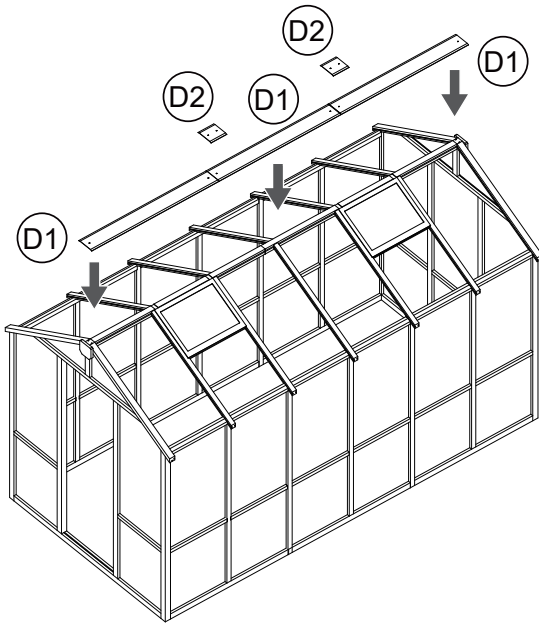
1. Place F6 under A22/A33 in the greenhouse
2. Fix F6 with E7
3. A slight upward push can ensure that the F6 has a stable triangular structure after installation



# STEP 60

## Installation of roof cover

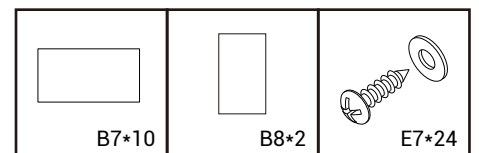
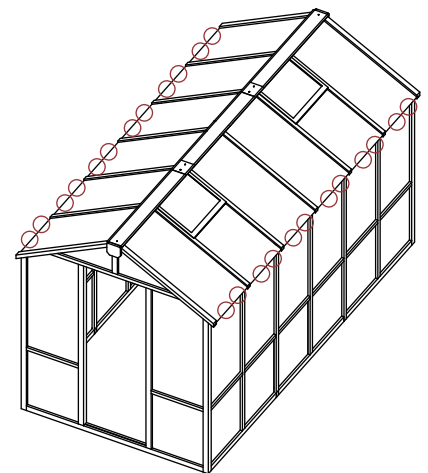
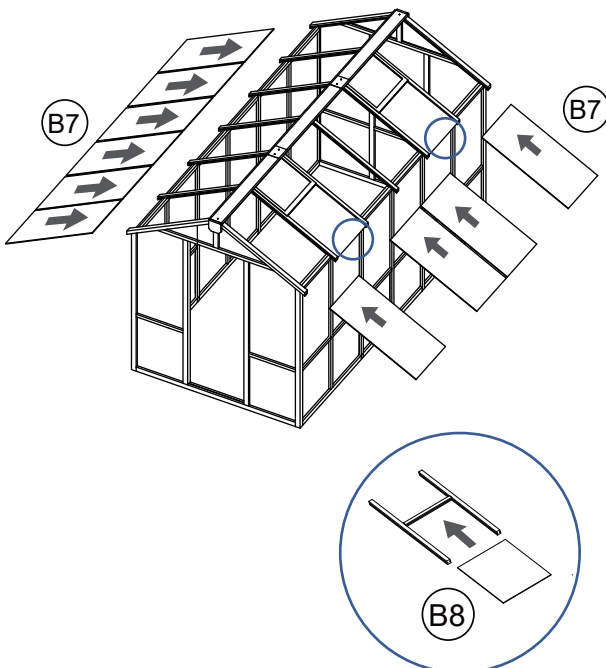
1. Place D1 on top of the beam to cover it
2. Place D2 on top of D1
3. Use an electric drill to drive E7 into the position shown in the figure



# STEP 61

## Install the transparent roof panel

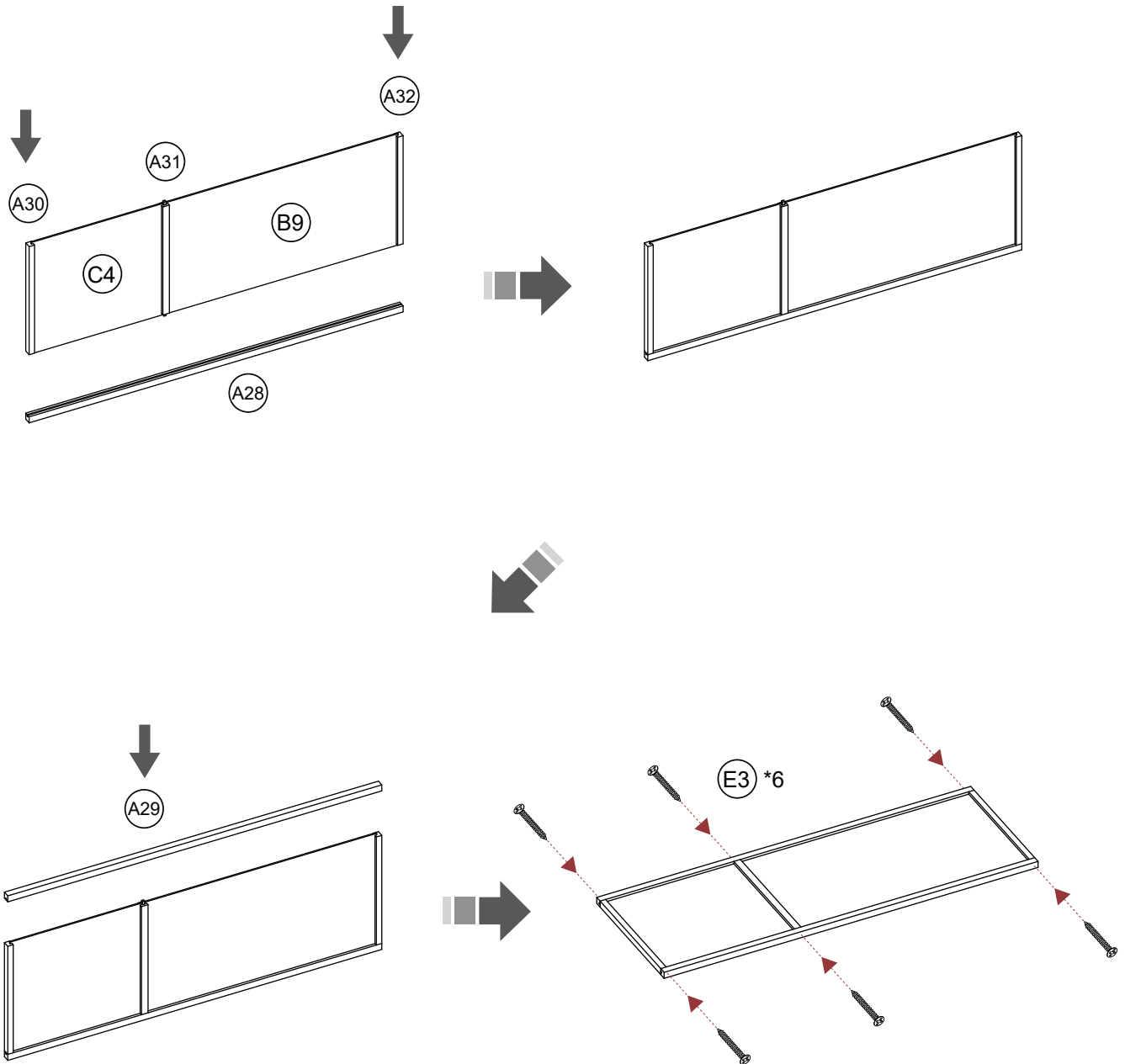
1. Insert B7/B8 into the roof beam groove/skylight crossbar groove until it reaches the bottom of the groove
2. Screw E7 into the position shown in the picture (E7 is eventually locked on the A21 board)



# STEP 62

## Install the door

1. Insert A30, C4, A31, B9, A32 into A28 in sequence
2. Insert A29
3. Secure with E3

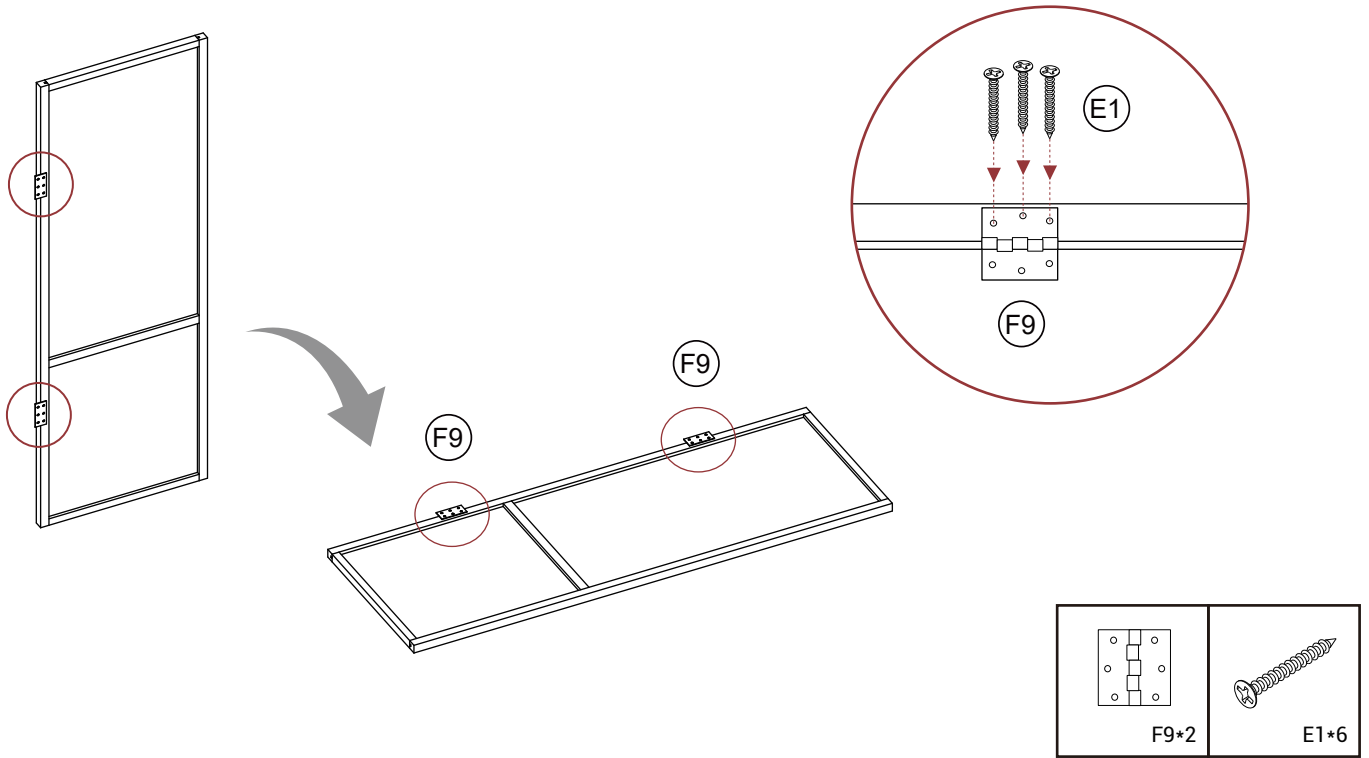


A28*1	A29*1	A30*1	A31*1	A32*1	C4*1	B9*1	E3*6

# STEP 63

## Install door hinges

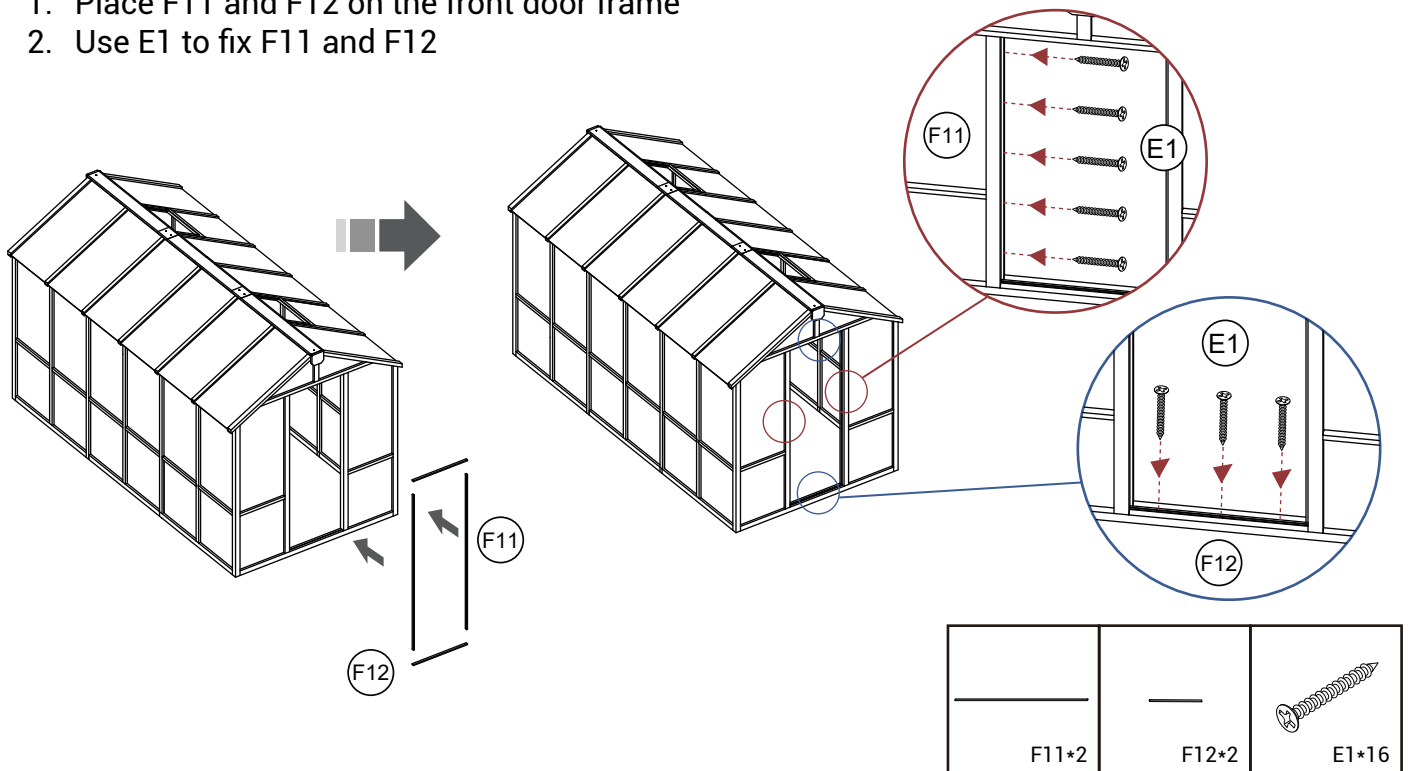
1. Fix F9 to the left side of the door with E1



# STEP 64

## Install the door sticker

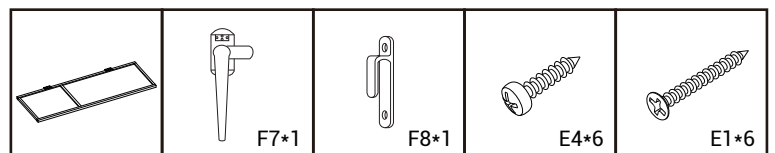
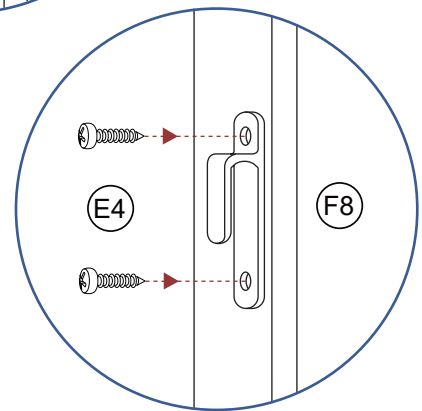
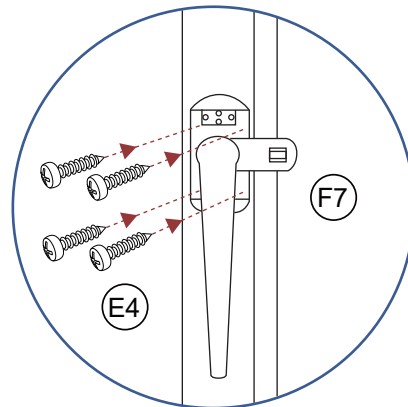
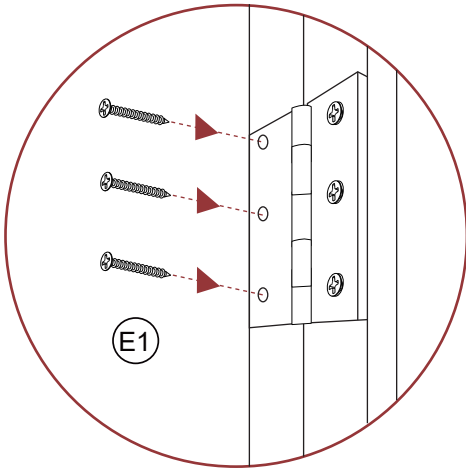
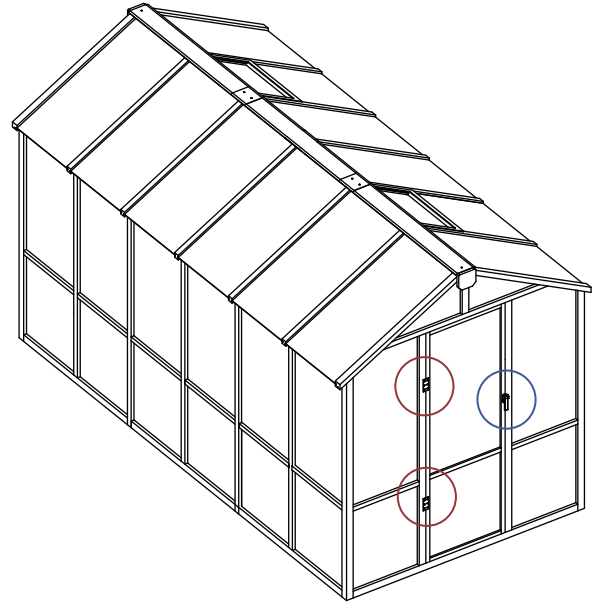
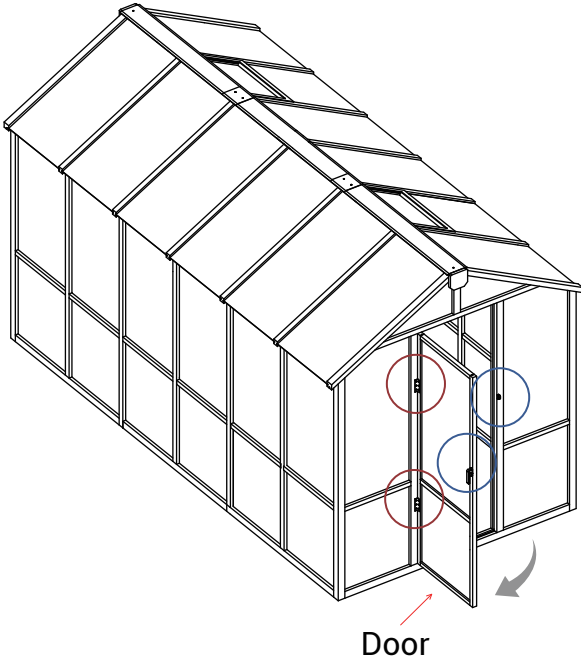
1. Place F11 and F12 on the front door frame
2. Use E1 to fix F11 and F12



# STEP 65

## Install the door

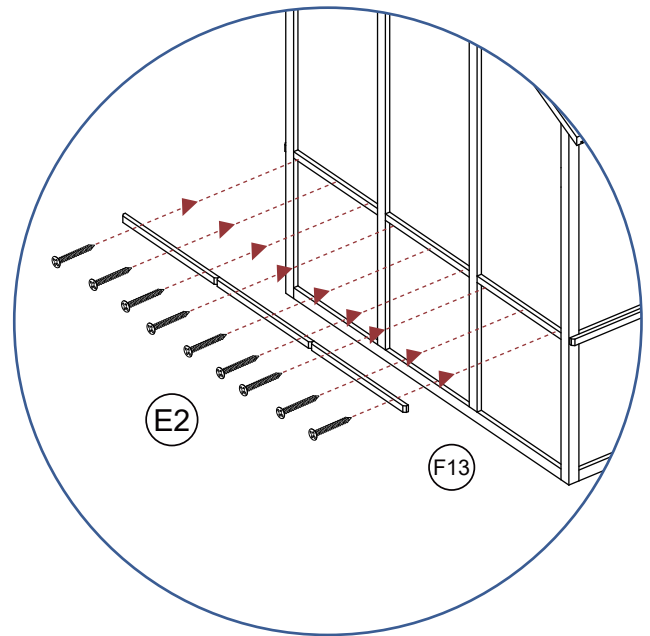
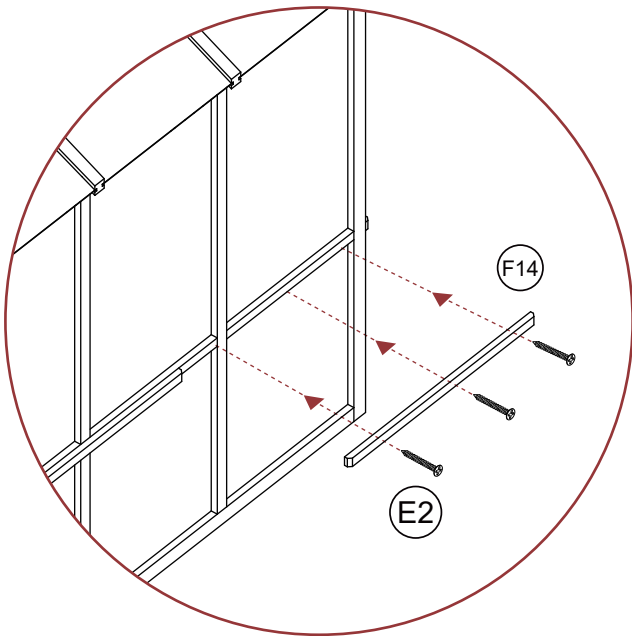
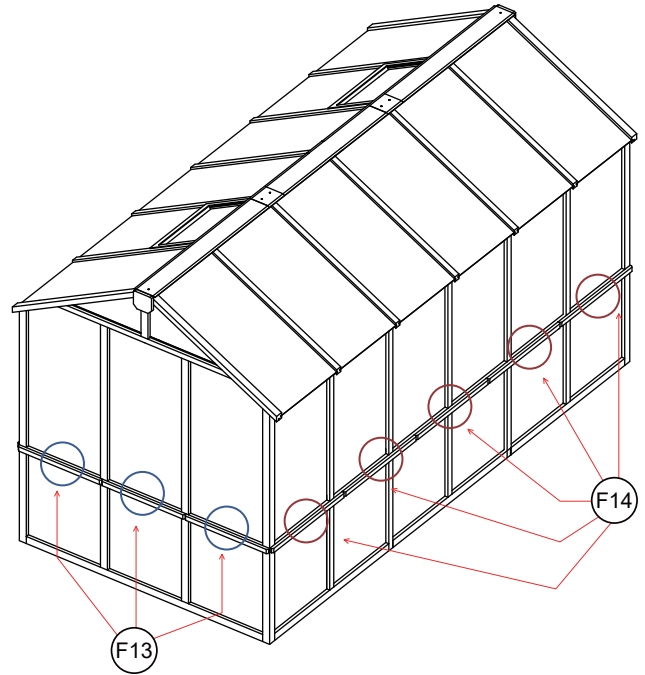
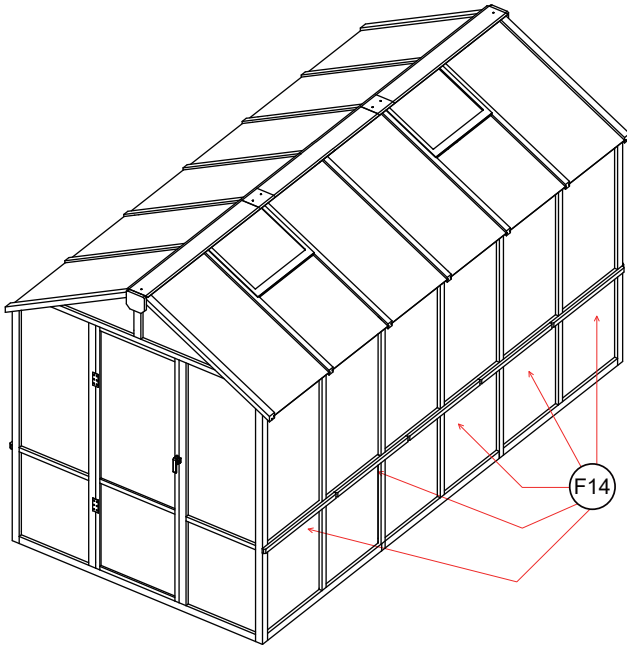
1. Put the door into the door frame
2. Align the hinge with the front frame and fix it with E1
3. Use E4 to fix F7 and F8 on the right side of the door



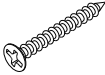


# STEP 66

## Fixing rod installation

1. Place F14 on the middle horizontal bar outside the left and right sides of the greenhouse, and use an electric drill to drive E2 in and fix it
2. Place F13 on the middle horizontal bar outside the rear frame of the greenhouse, and use an electric drill to drive E2 in and fix it



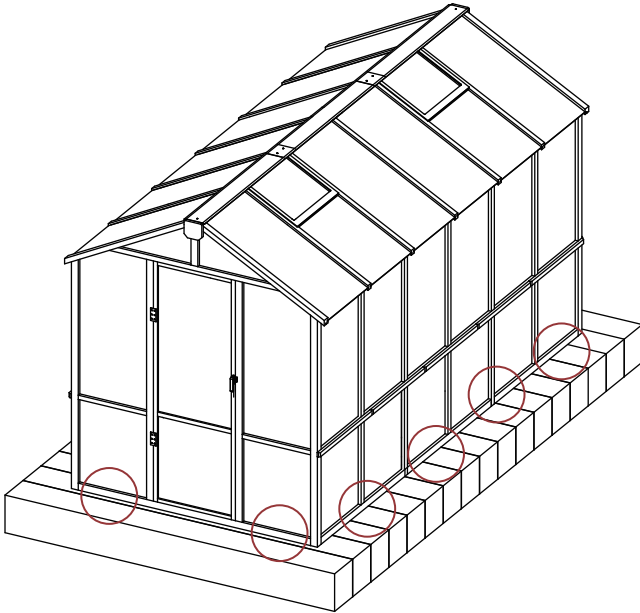
		
F13+3	F14+10	E2+39

# STEP 67

## Fixed Conservatory

1. If it is a wooden board, use expansion screws and F5 to fix it
2. If it is a mud floor, use E5 and F5 to fix it

Wooden board installation



Mud floor installation

