

If there are any missing parts, damaged packaging or broken panels,
please contact our service email for assistance:

furni-service@outlook.com

CONTACT US!

Do Not return this product

If you encounter any missing parts, damaged packaging, or broken panels, please contact our customer service team for assistance:

①



Email:

furni-service@outlook.com

②



Amazon Message

③



Call or Message:

+1 (909) 960-3666

④

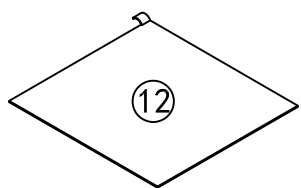
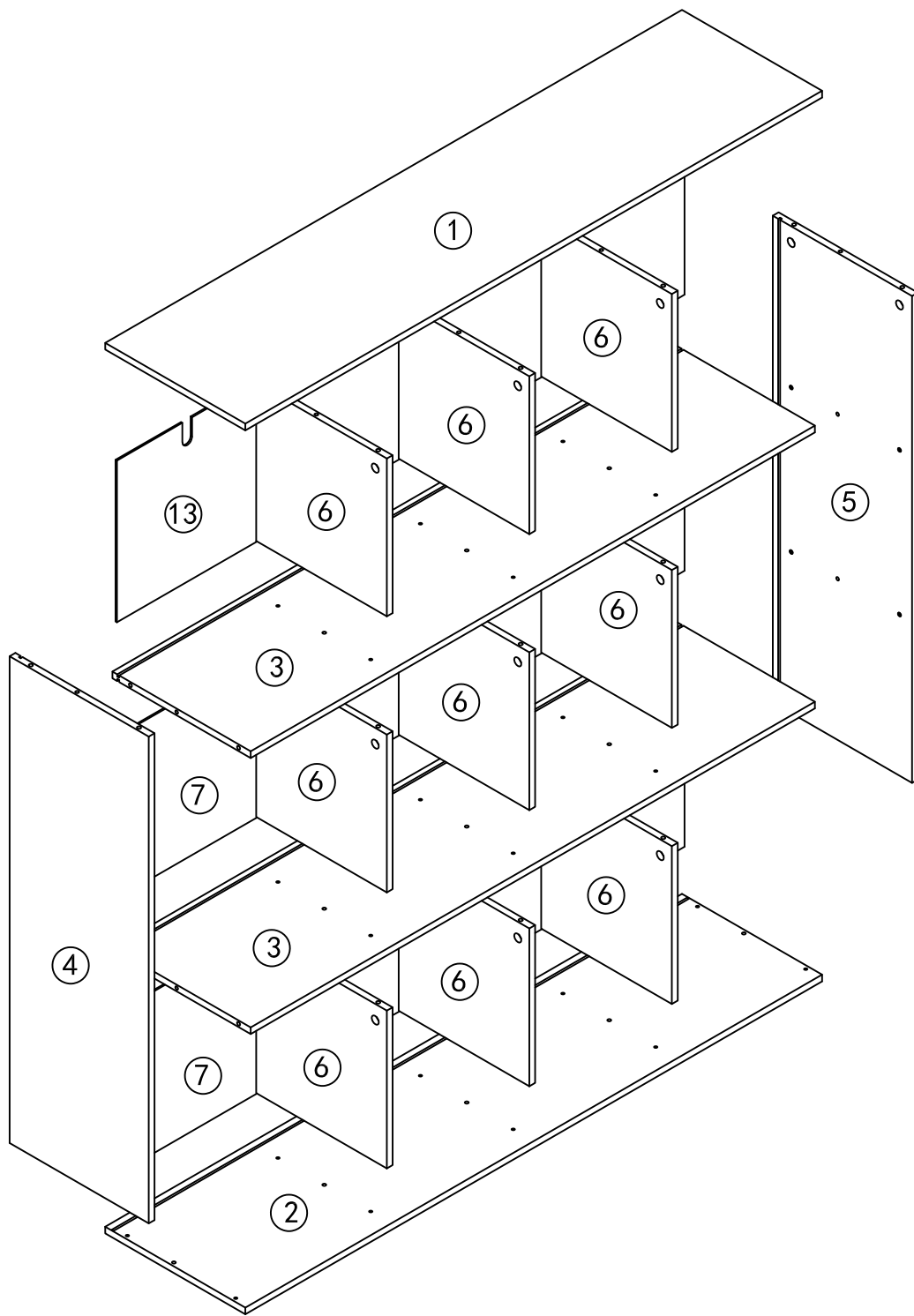


WhatsApp

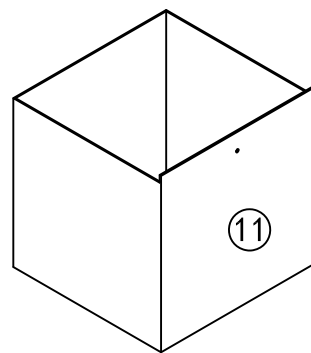
For faster resolution:

① Include your **order number** ② Attach **clear photos** of the issue

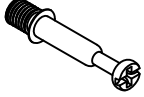

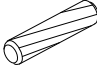



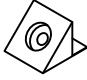



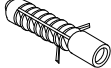


We appreciate your patience and cooperation, and we'll do our best to resolve your concern promptly. Thank you!



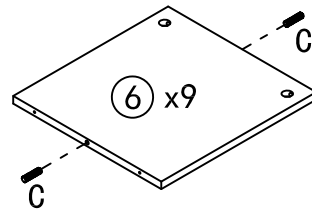
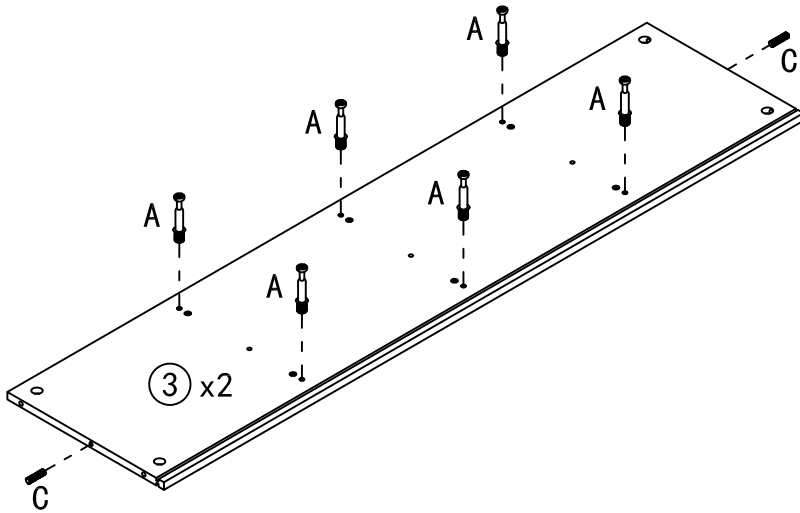
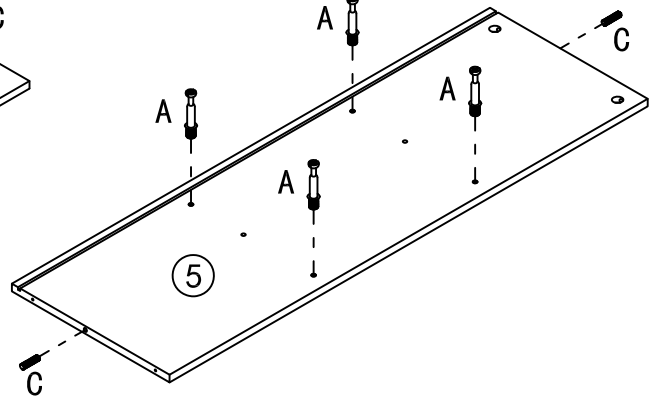
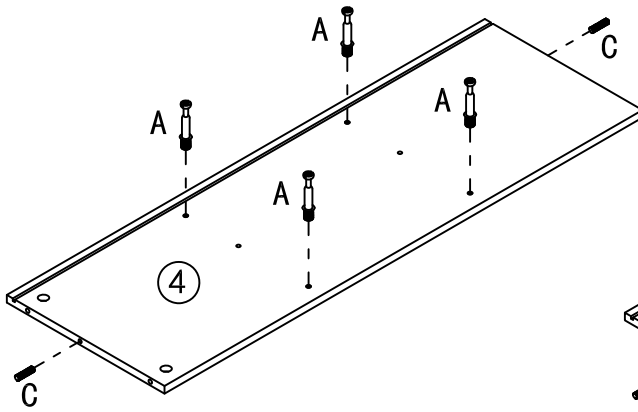
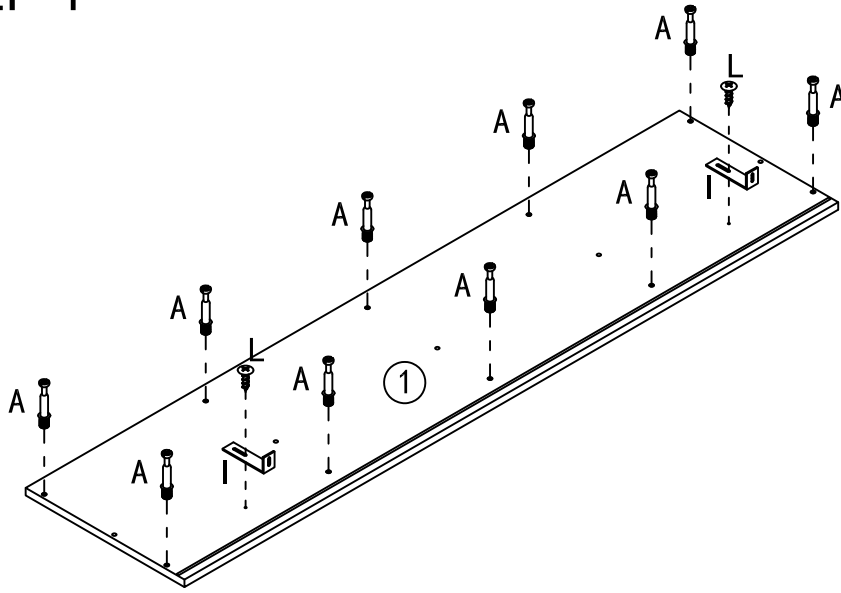
x 2


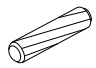




x 2

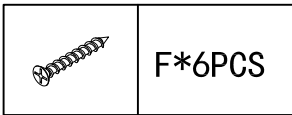
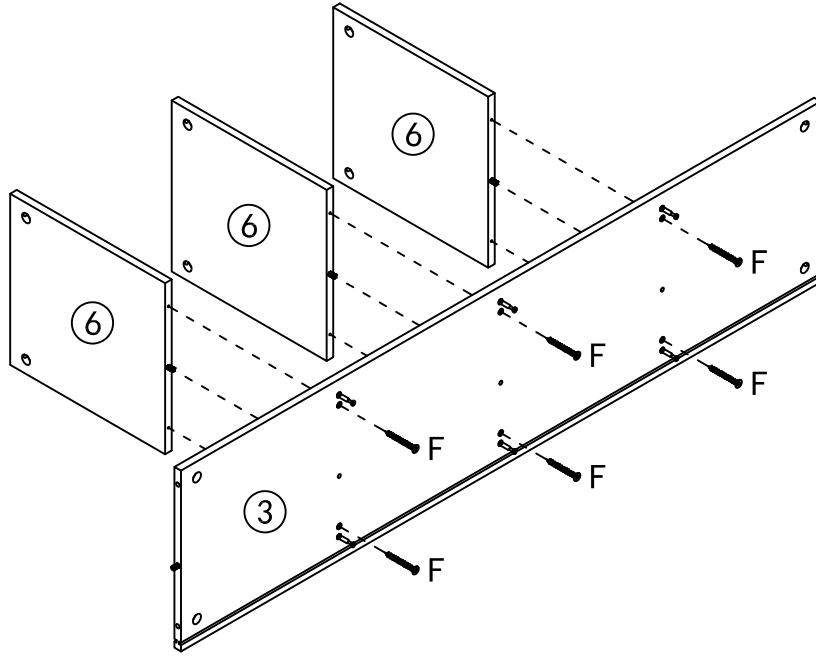
<p>A</p>  <p>30+2PCS</p>	<p>B</p>  <p>30+2PCS</p>	<p>C</p>  <p>Ø6*30MM 26+2PCS</p>	<p>D</p>  <p>M4*10MM 2PCS</p>
<p>E</p>  <p>2PCS</p>	<p>F</p>  <p>M4*30MM 22+2PCS</p>	<p>G</p>  <p>24+2PCS</p>	<p>H</p>  <p>M3*16MM 24+2PCS</p>
<p>I</p>  <p>2PCS</p>	<p>J</p>  <p>Ø4*35MM 2PCS</p>	<p>K</p>  <p>2PCS</p>	<p>L</p>  <p>Ø4*12MM 2PCS</p>
<p>M</p>  <p>30+2PCS</p>	<p>N</p>		

STEP 1

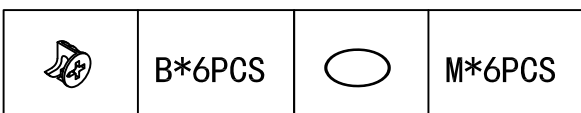
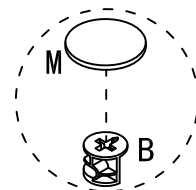
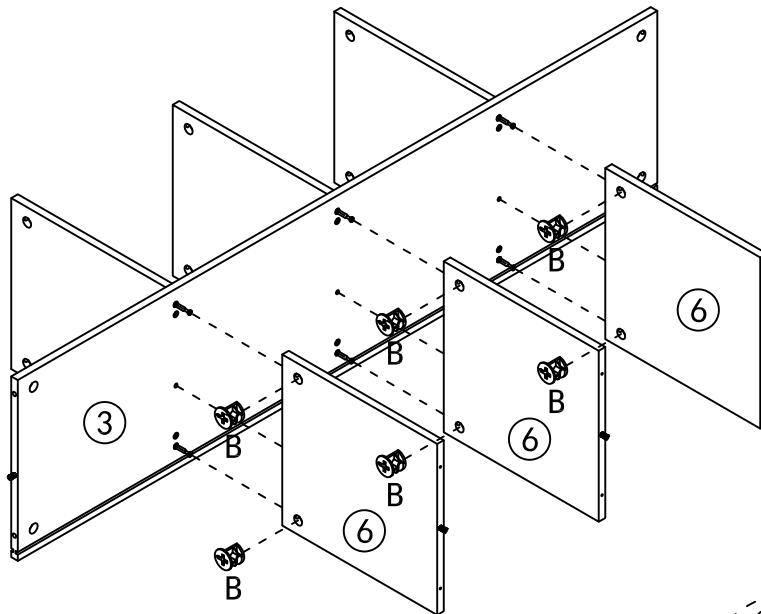


	A*30PCS		C*26PCS		I*2PCS		L*2PCS
---	---------	---	---------	---	--------	--	--------

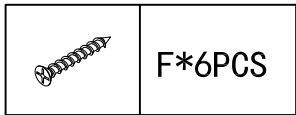
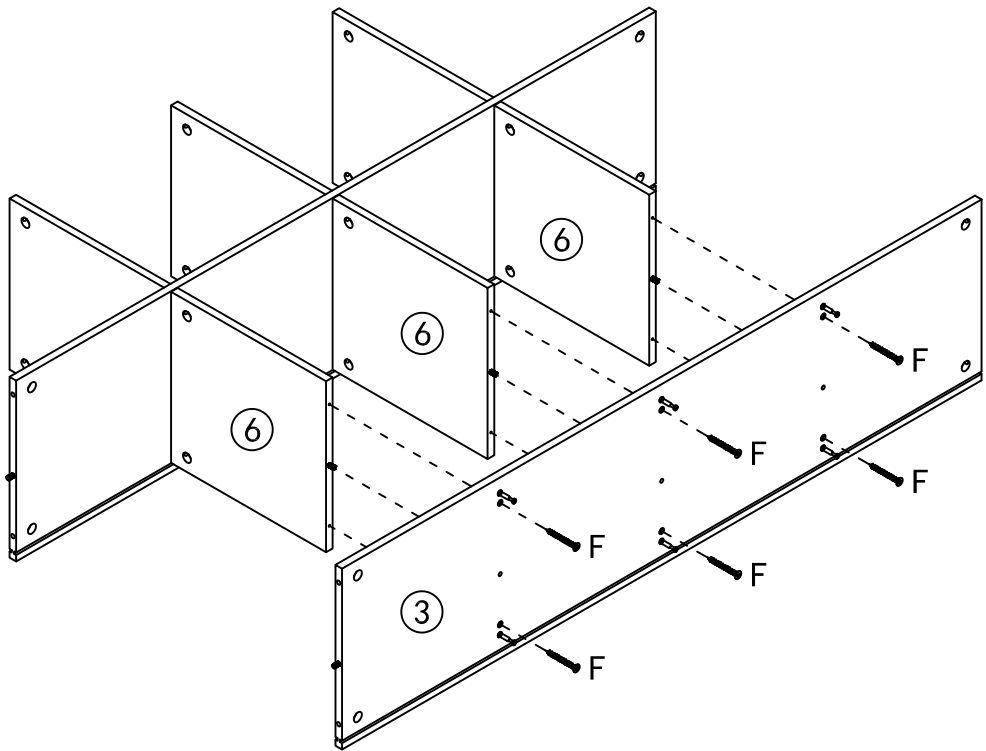
STEP 2



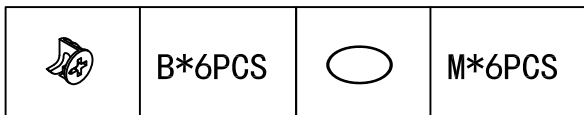
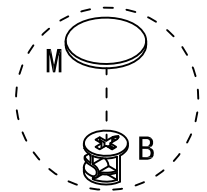
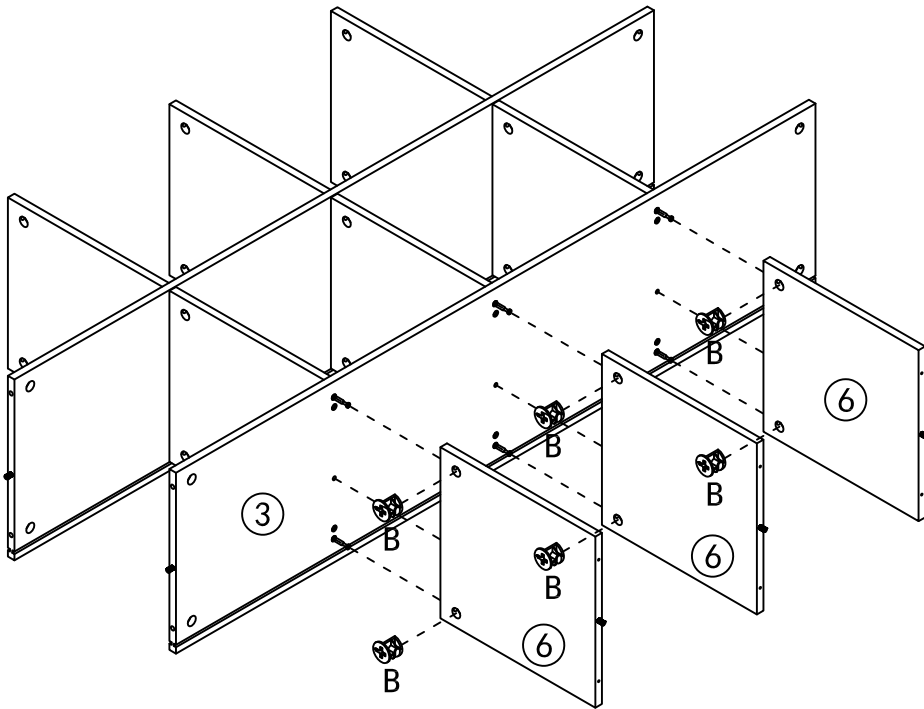
STEP 3



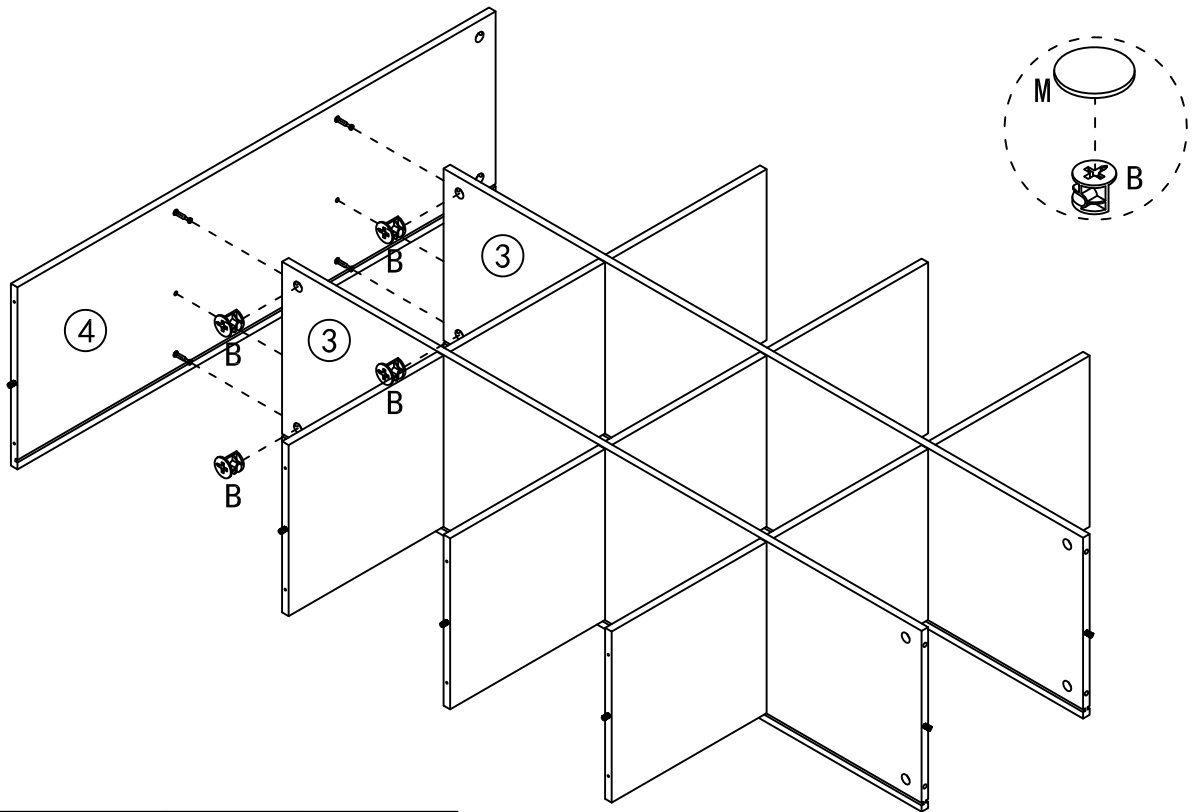
STEP 4





STEP 5

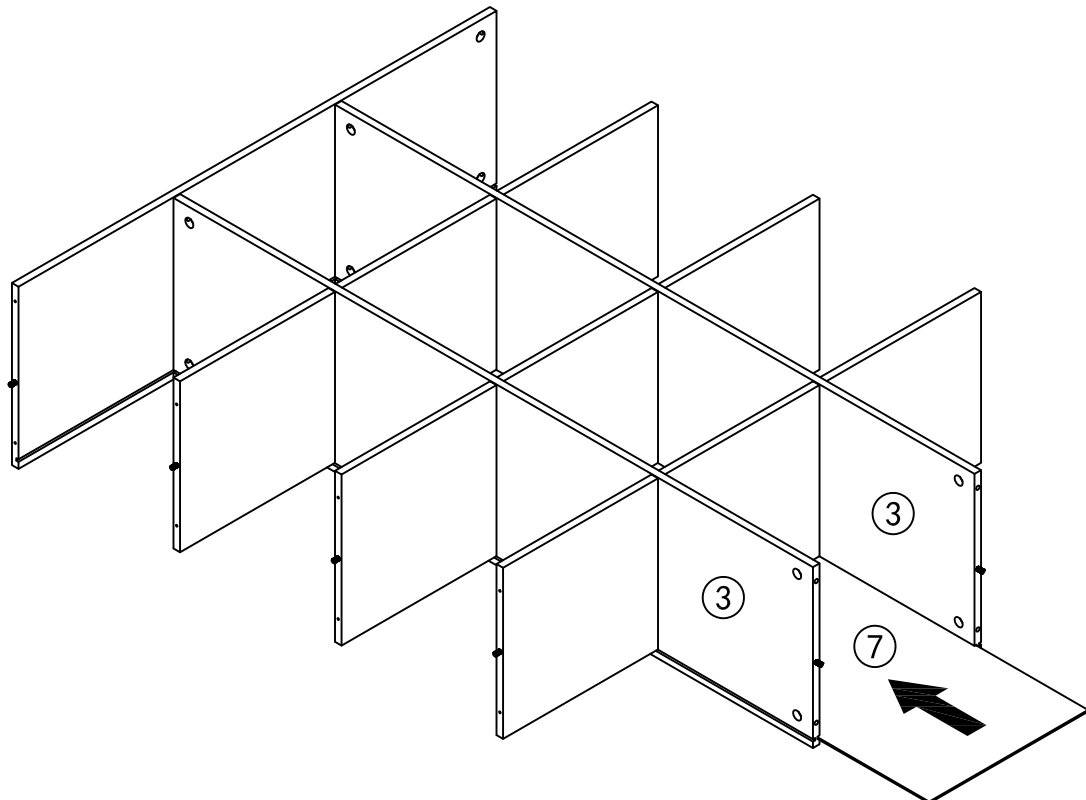


STEP 6

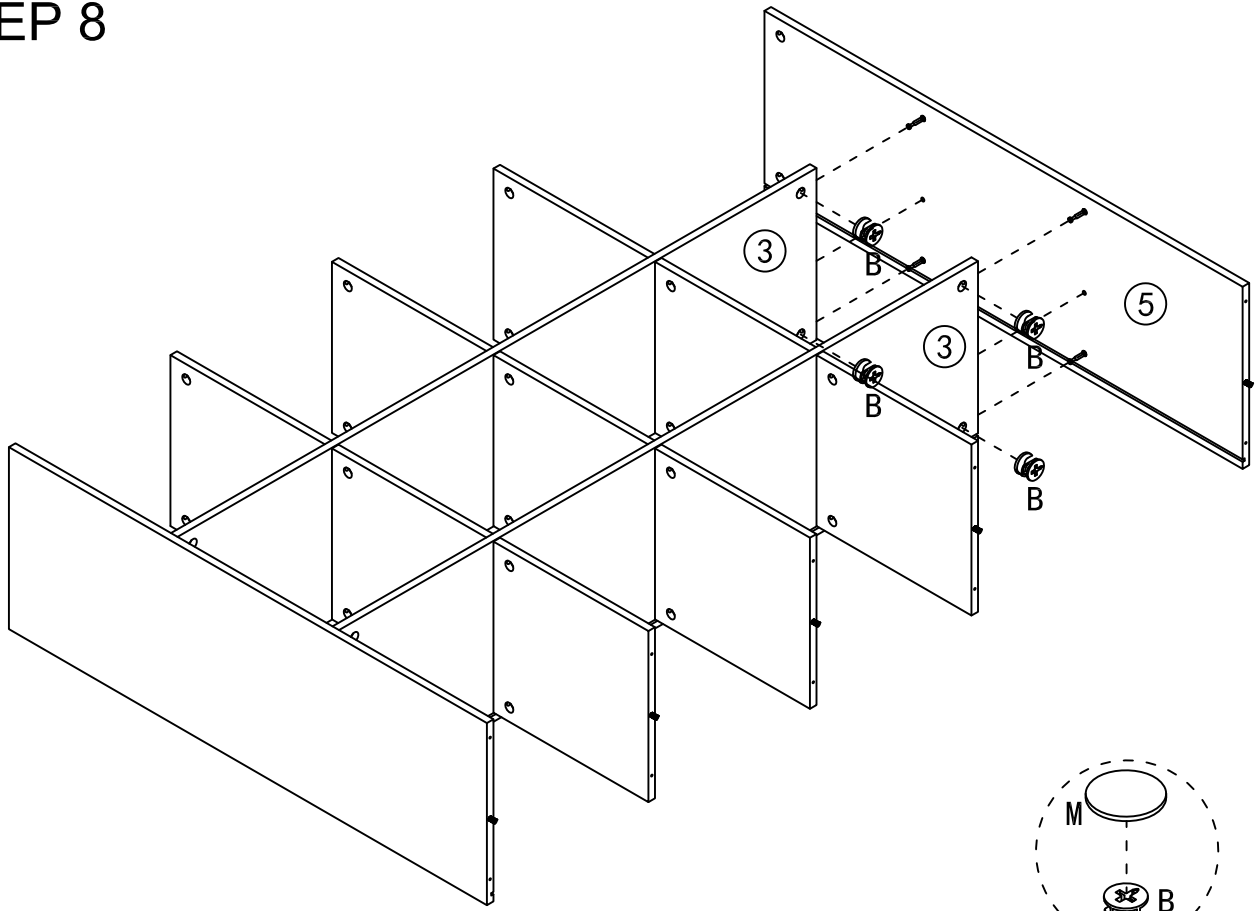




	B*4PCS		M*4PCS
---	--------	---	--------

STEP 7

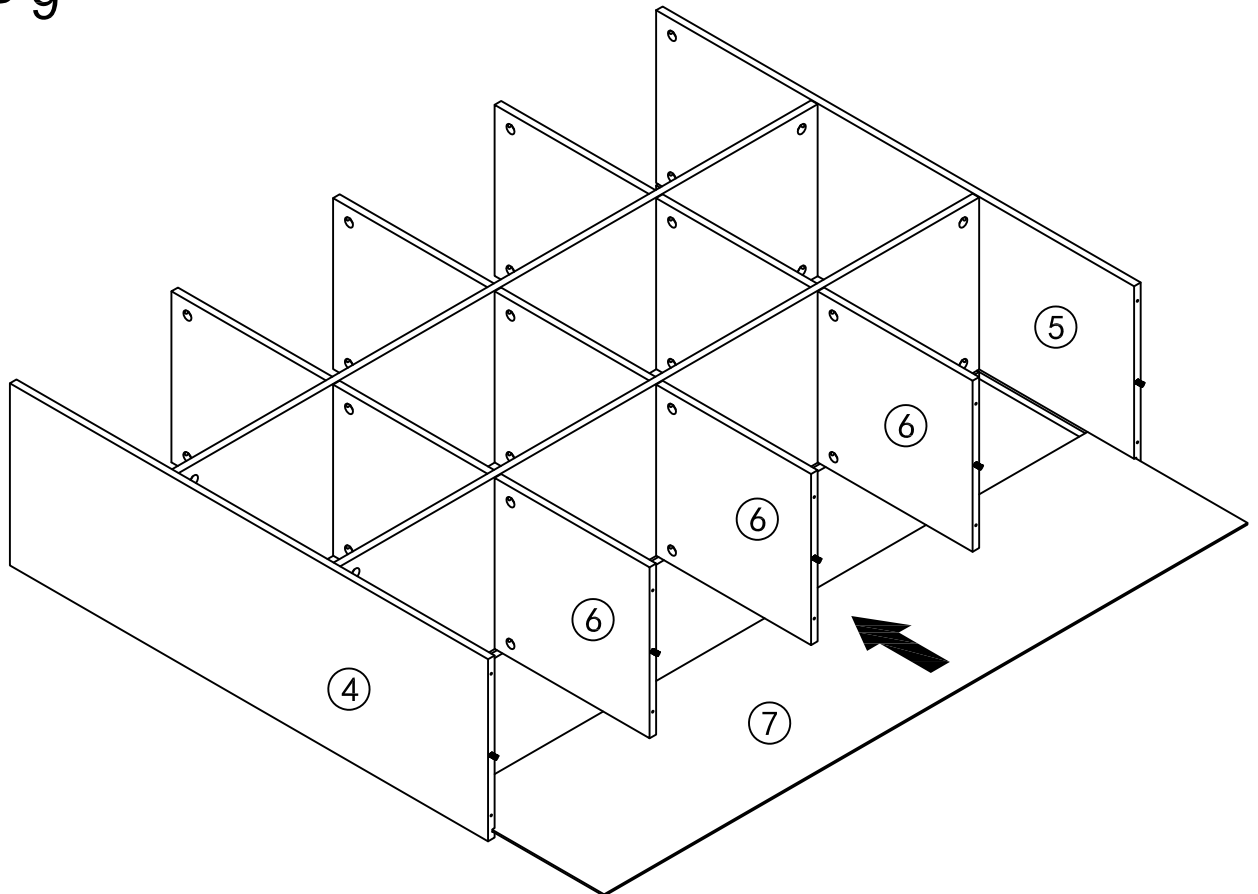


STEP 8

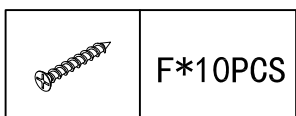
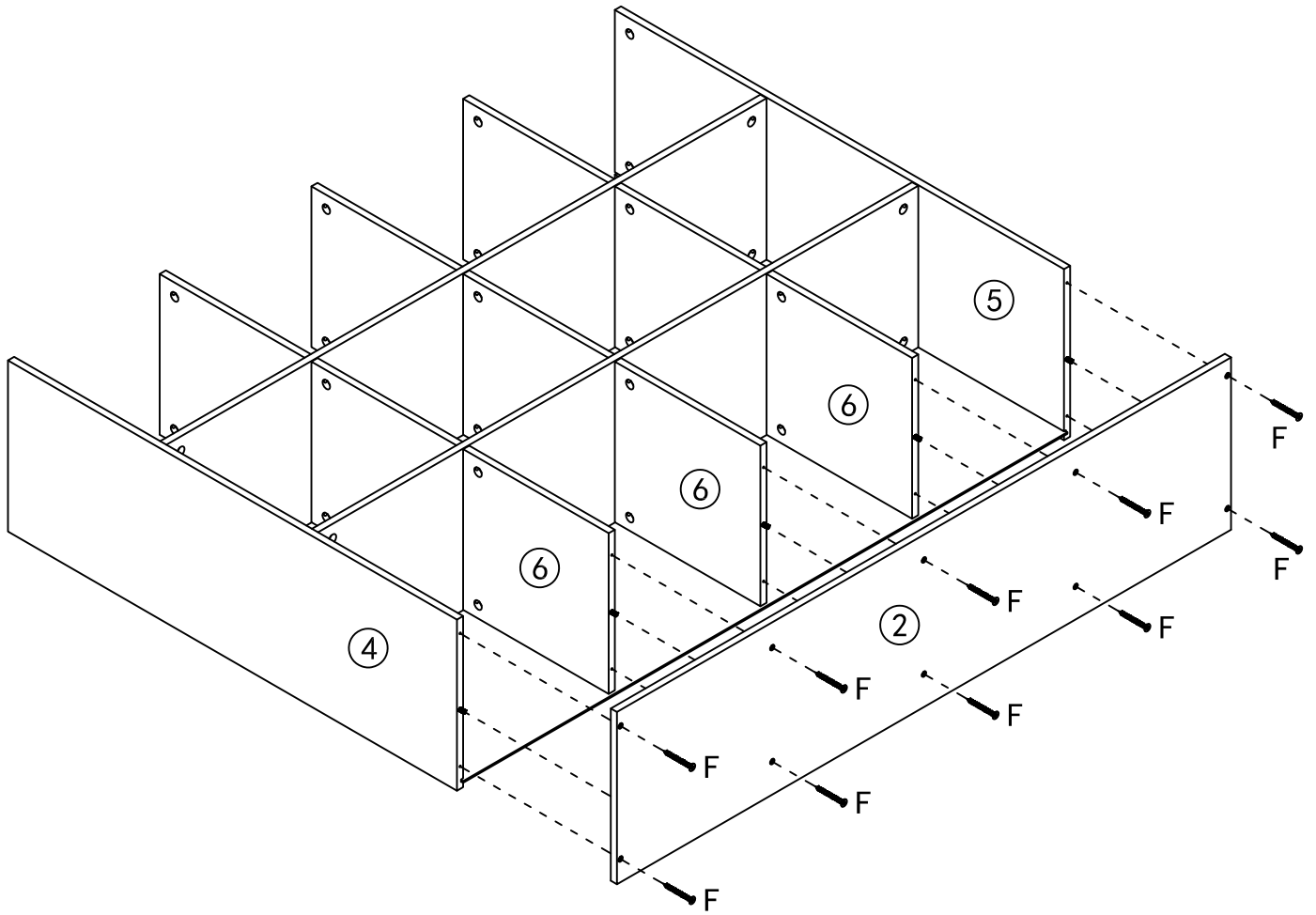


	B*4PCS		M*4PCS
---	--------	---	--------

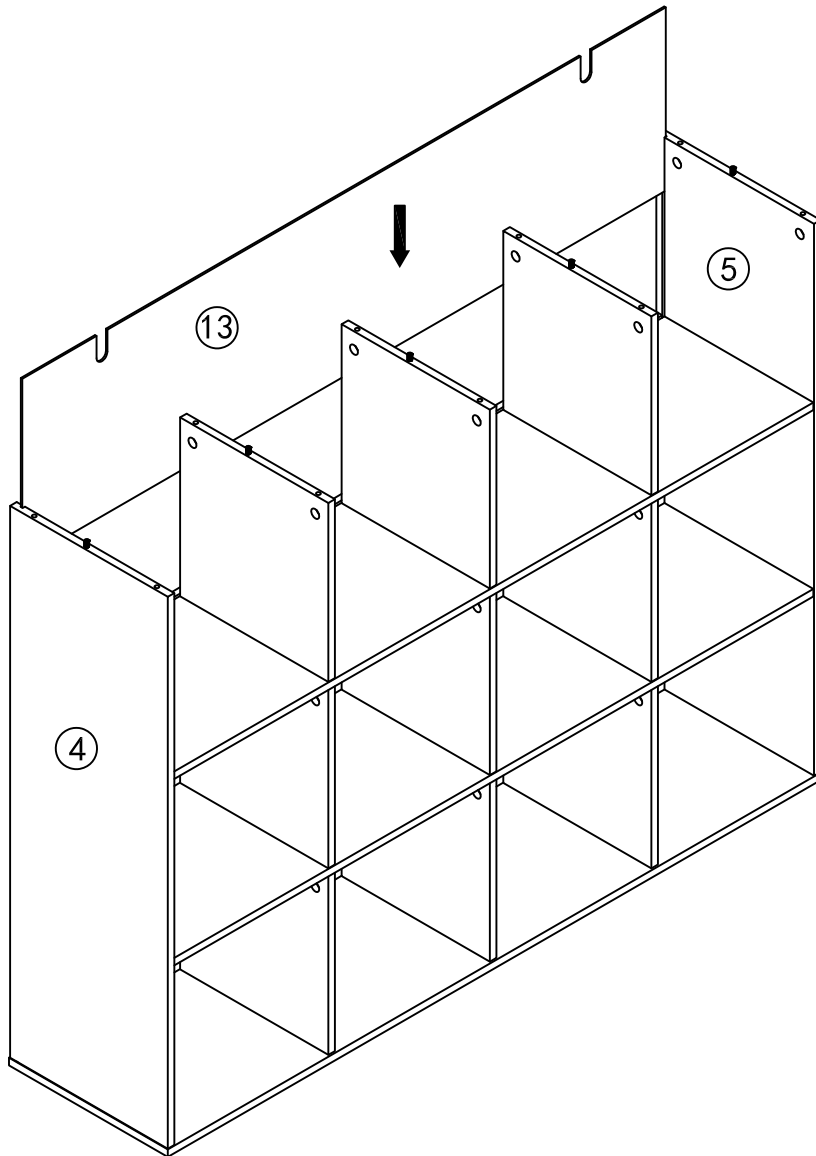
STEP 9



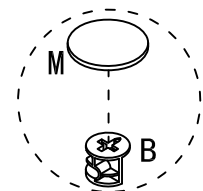
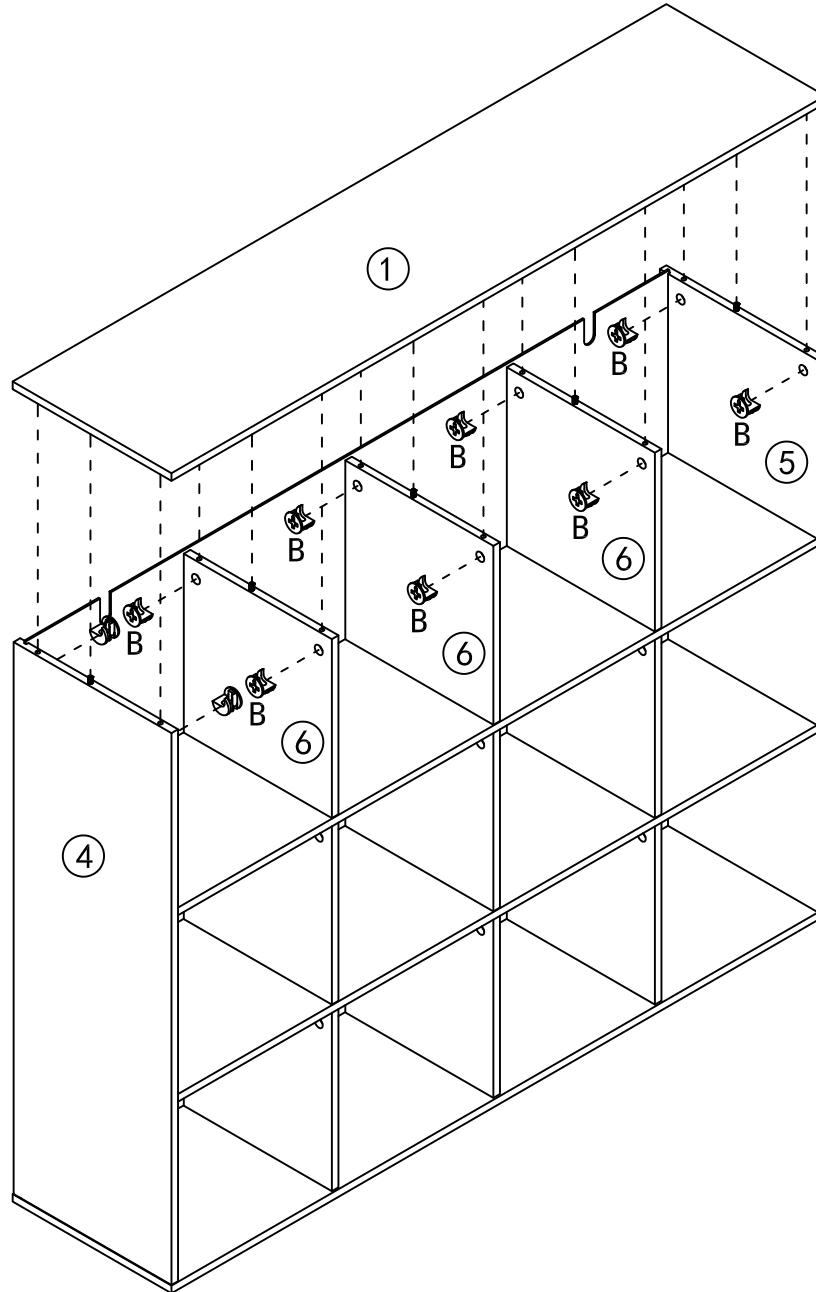
STEP 10





STEP 11

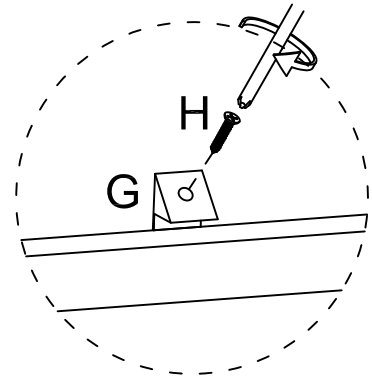
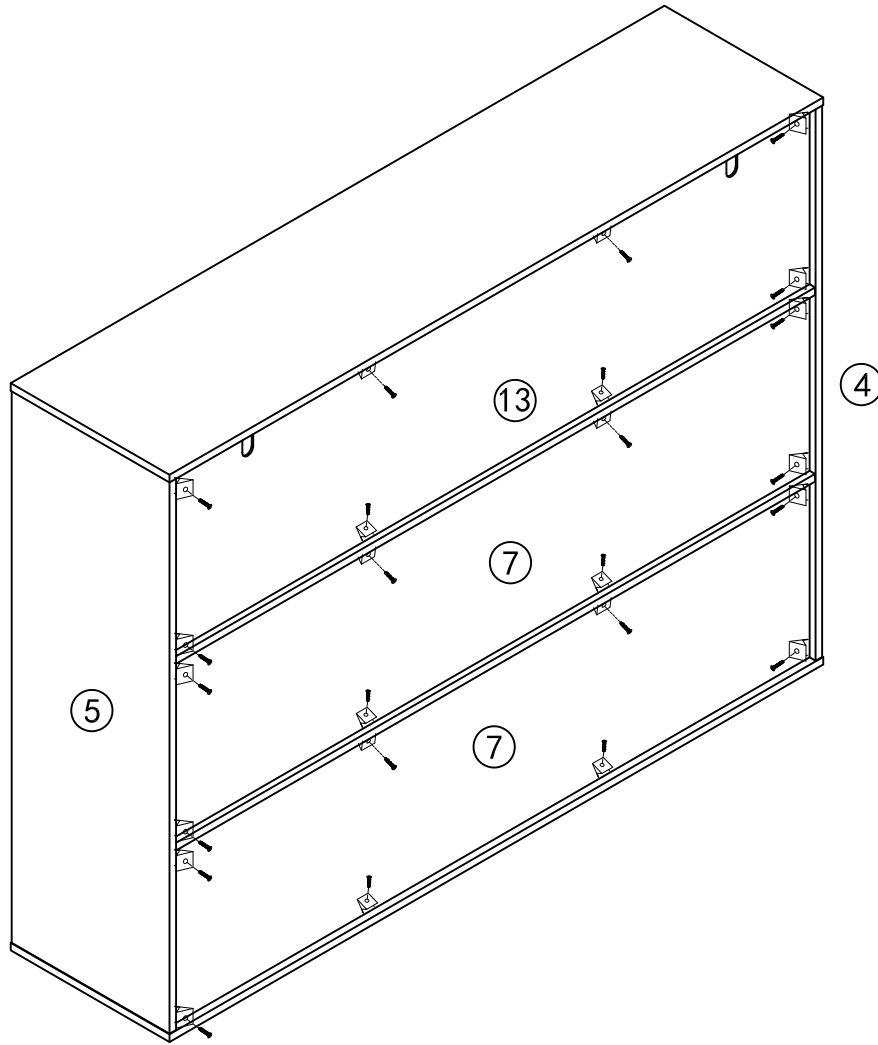




STEP 12



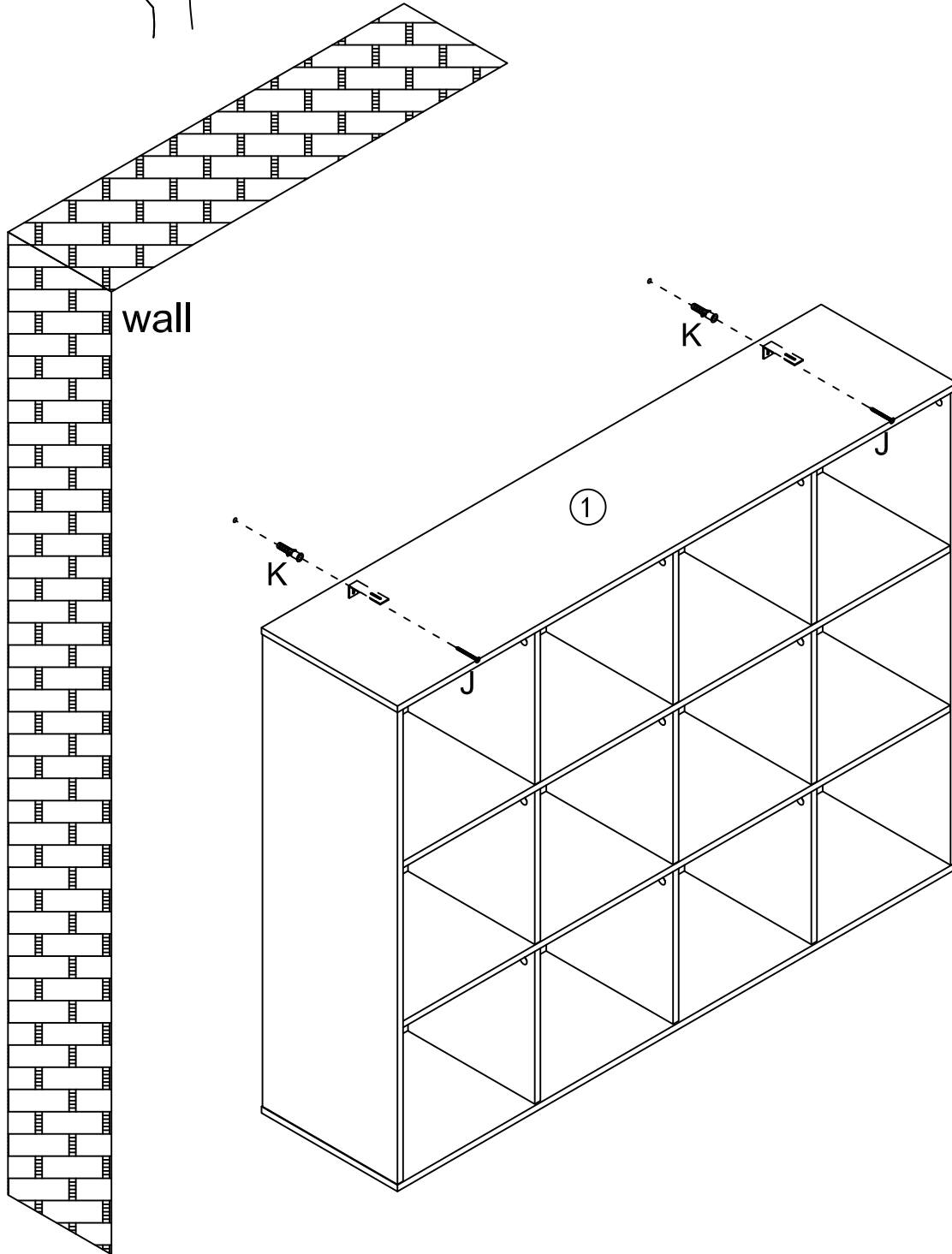
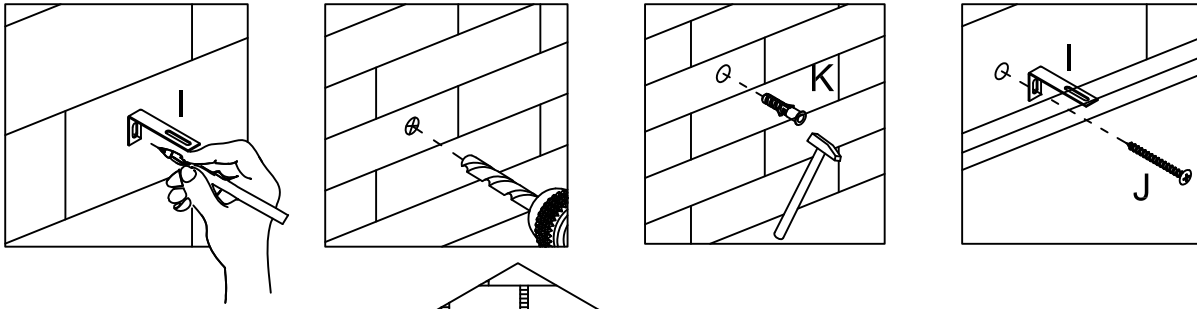
	B*10PCS		M*10PCS
---	---------	---	---------



STEP 13



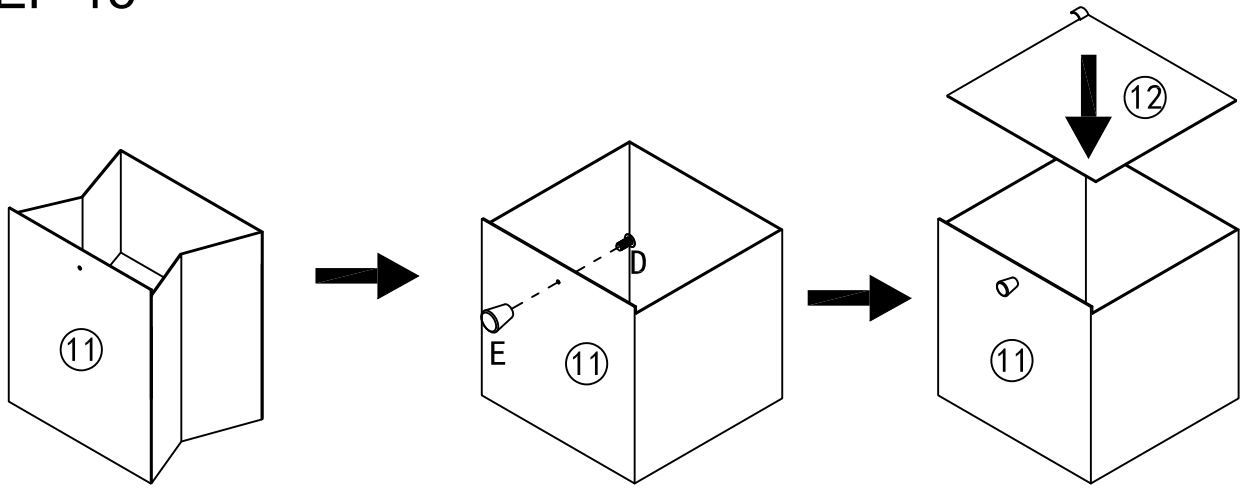
	G*24PCS		H*24PCS
---	---------	---	---------

STEP 14

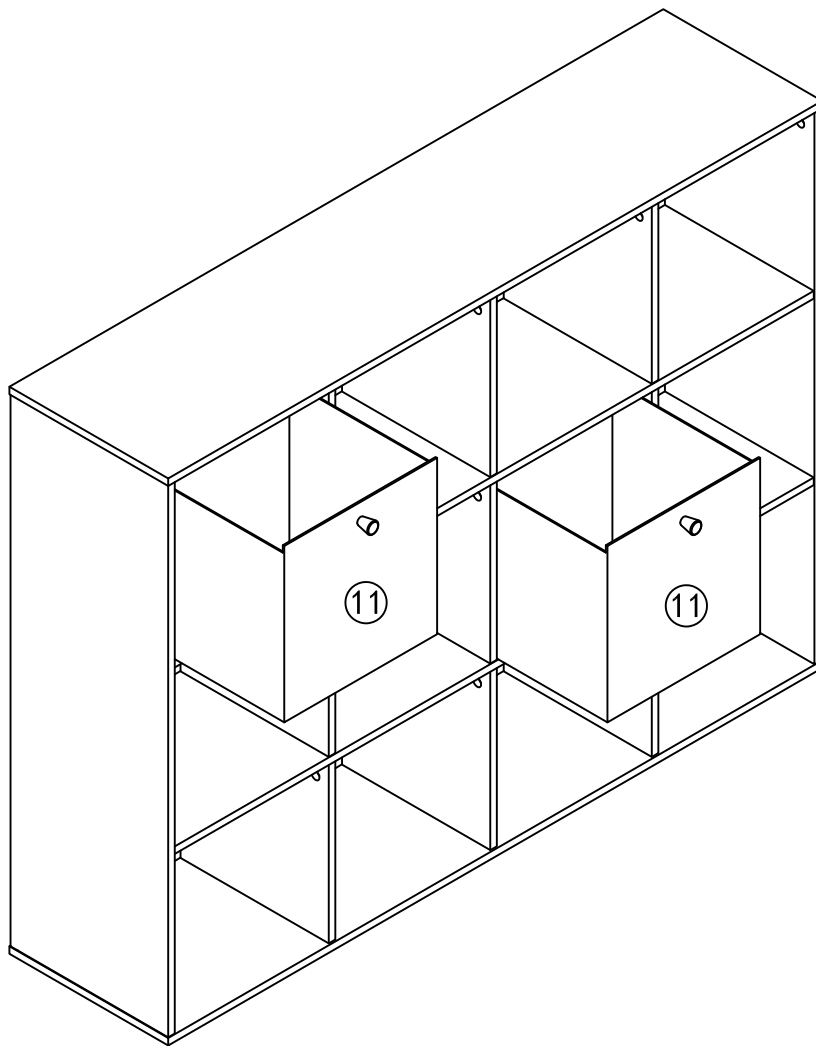




	J*2PCS		K*2PCS
---	--------	---	--------

STEP 15



x2

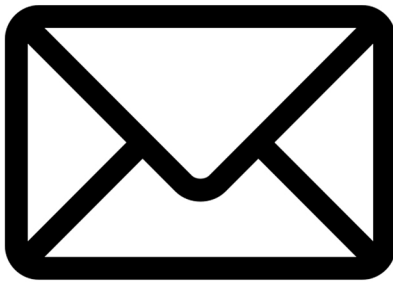


	D*2PCS		E*2PCS
---	--------	---	--------

THANK YOU!

Contact our friendly
customer service team first for help

①



Email:

furni-service@outlook.com

②



Amazon Message

③



Call or Message:

+1 (909) 960-3666

④



WhatsApp

If you have any questions, please leave the **order No.**
and **related picture** information, we will reply you
within 24 hours, and solve the problem as soon as possible.