

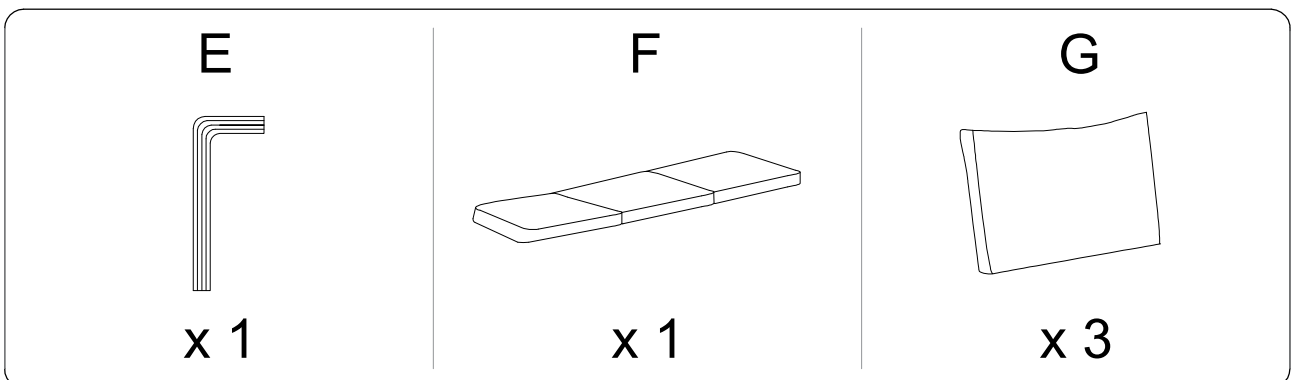
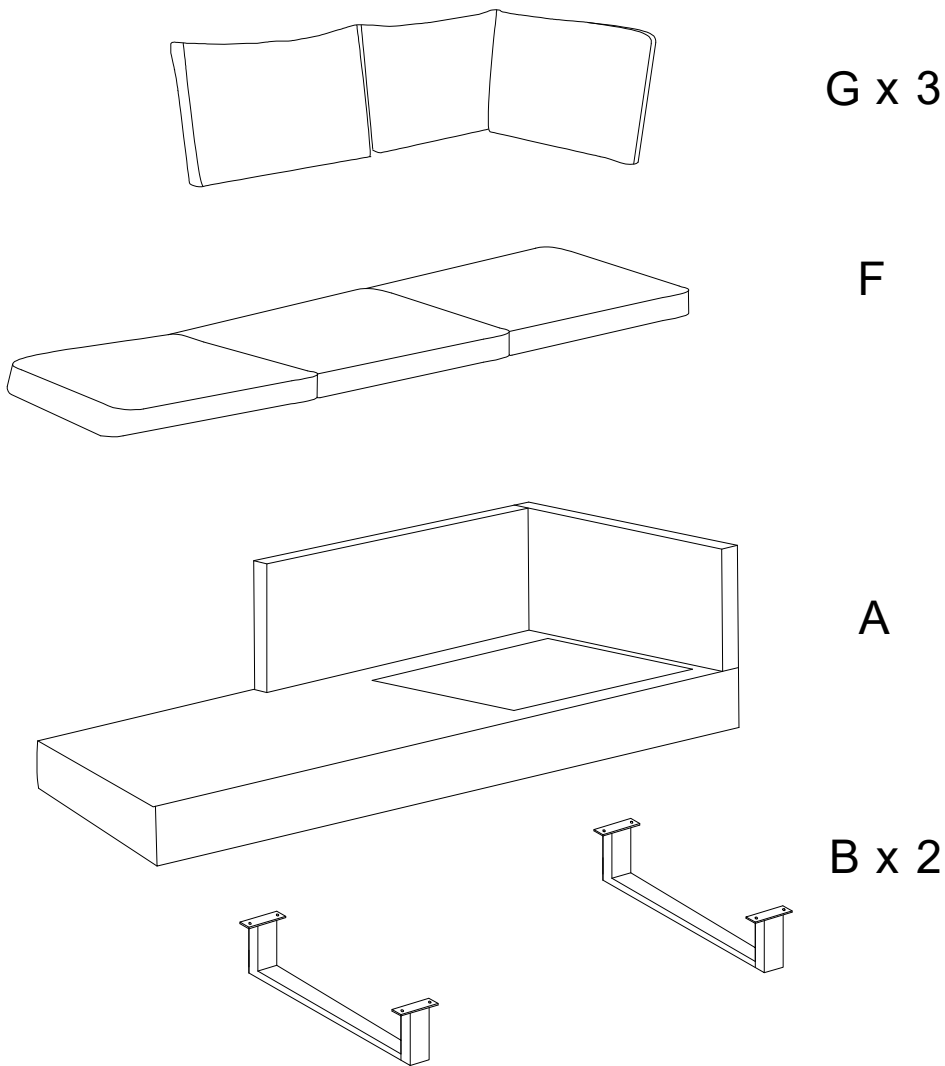
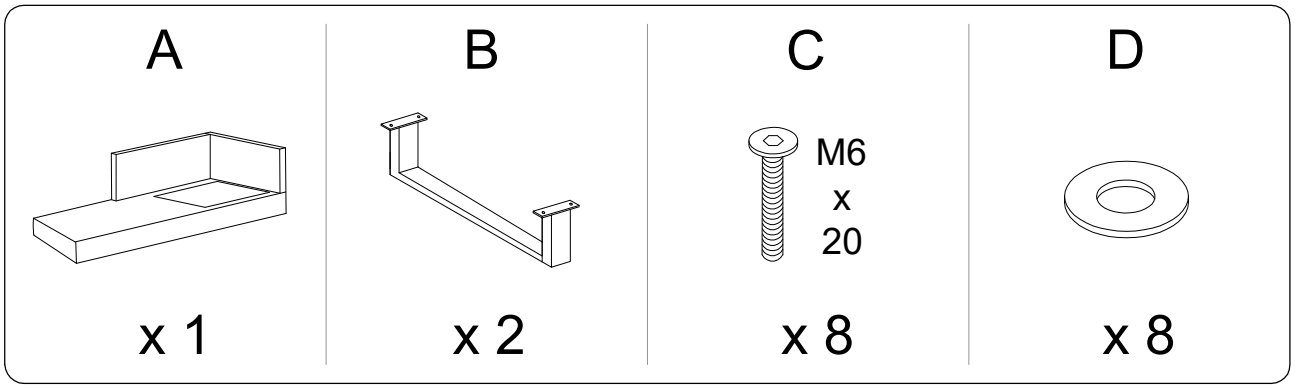
Assembly instructions for step 1/9:

- Warning 1:** Do not use a power drill. Use the provided L-shaped corner bracket.
- Warning 2:** Do not use a power drill. Use the provided rectangular block.

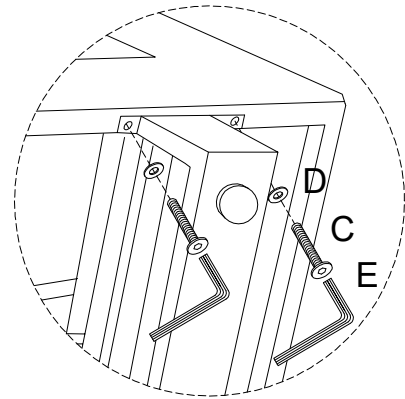
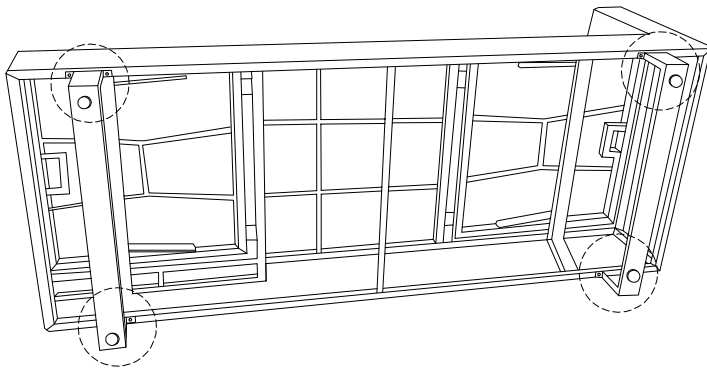
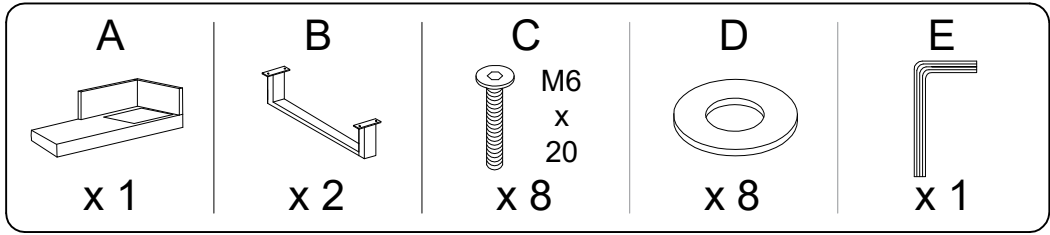
Estimated assembly time: 40'

Number of people required: 2

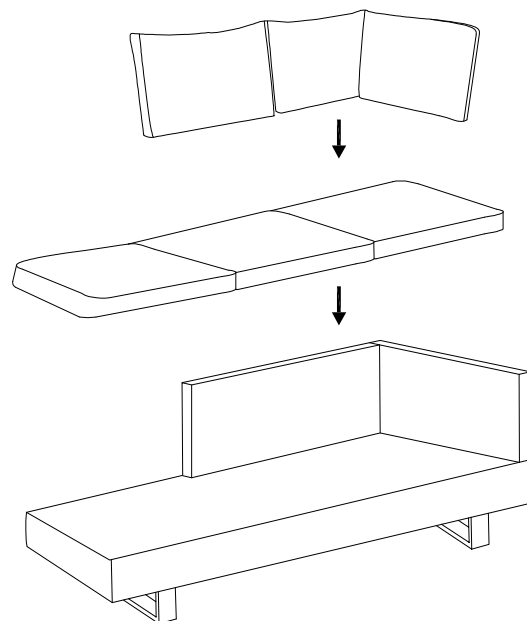
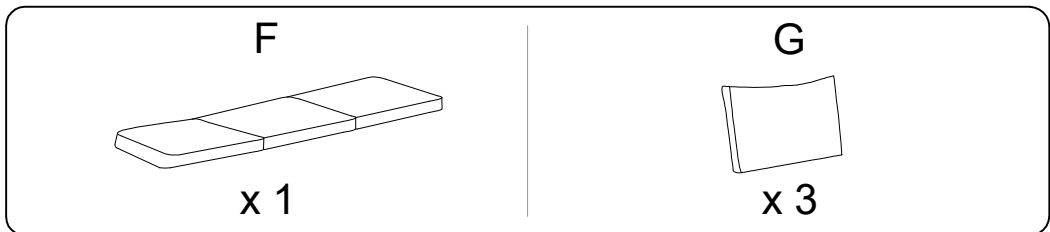
A



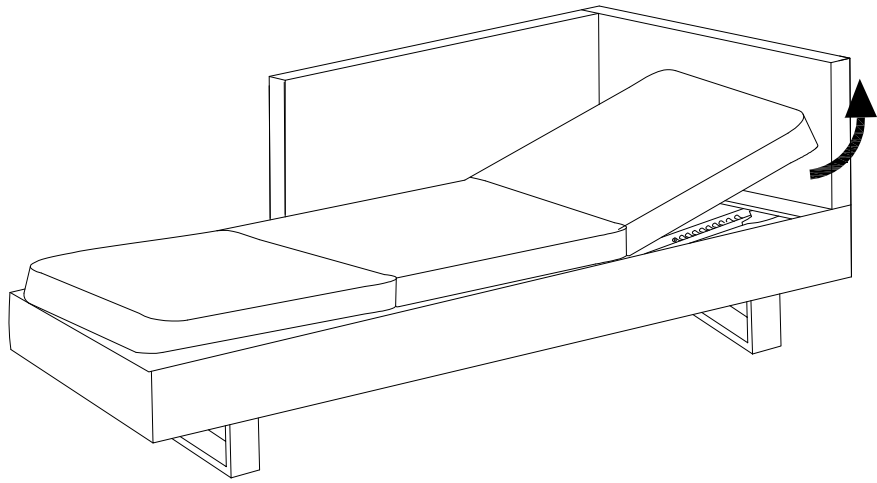
1



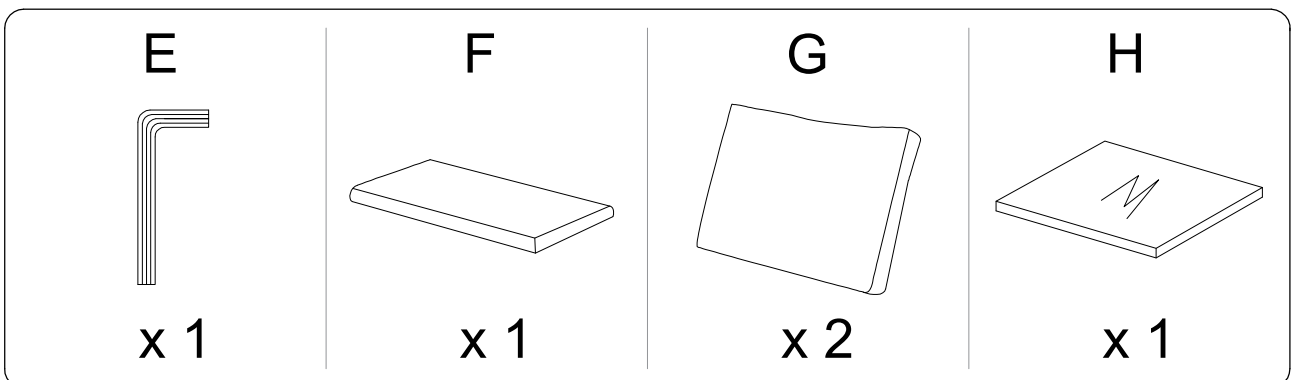
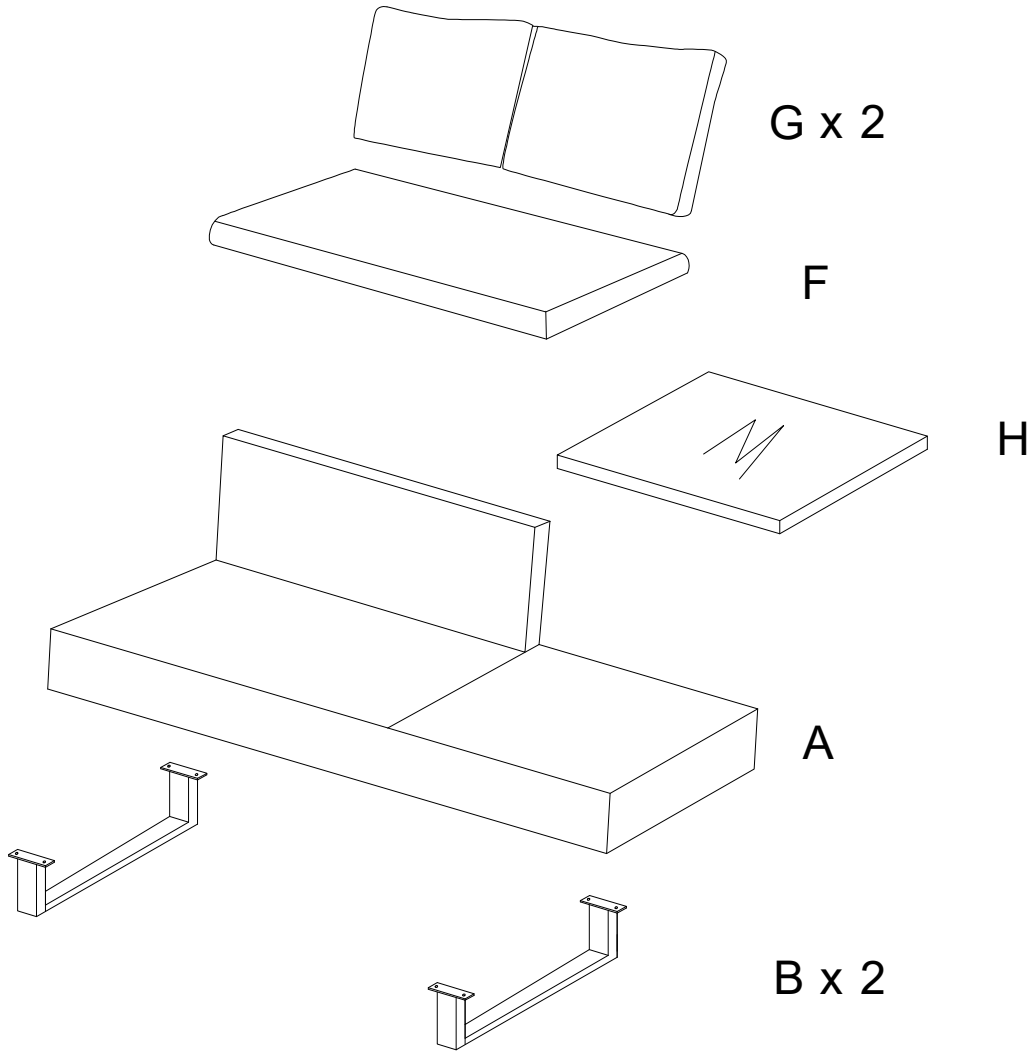
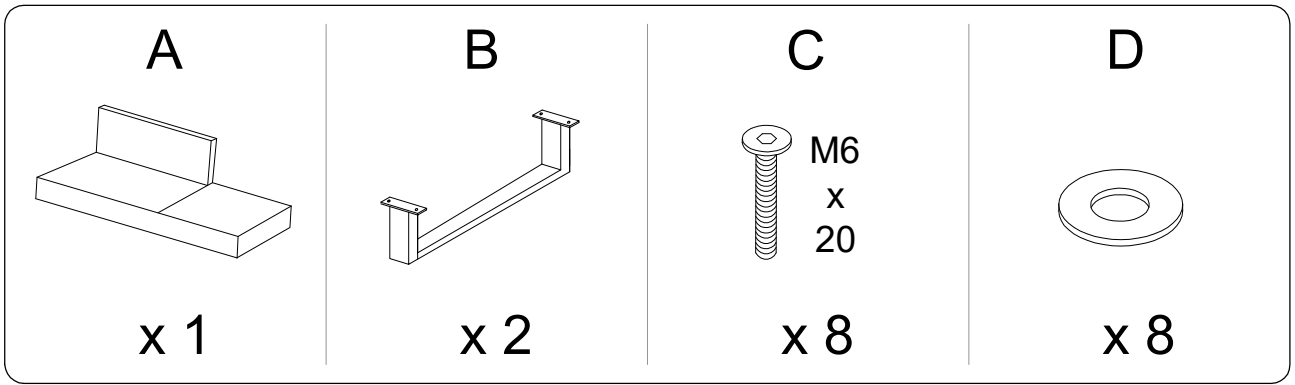
2



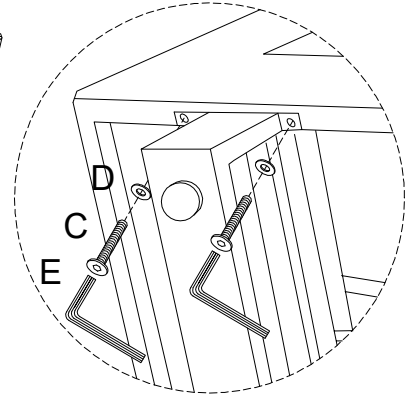
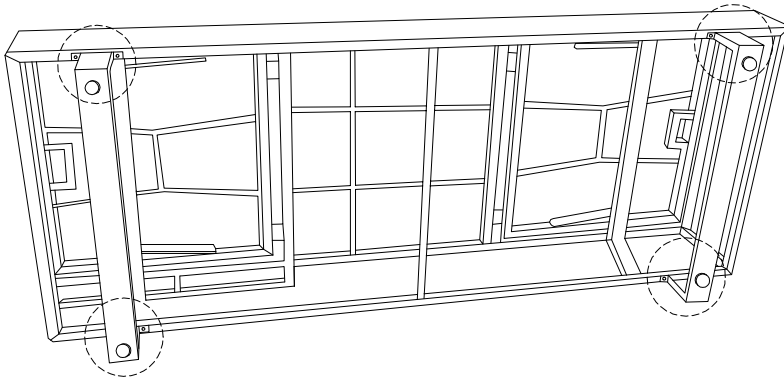
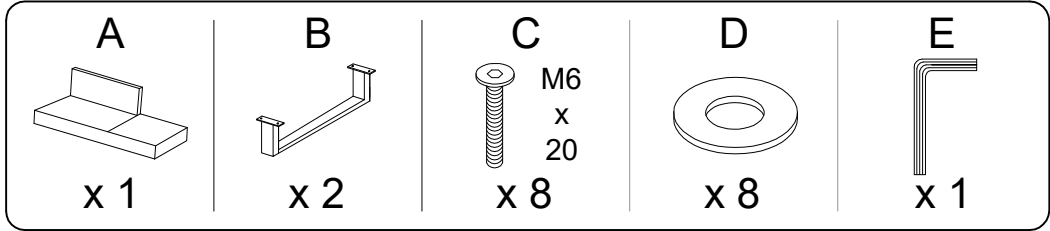
!



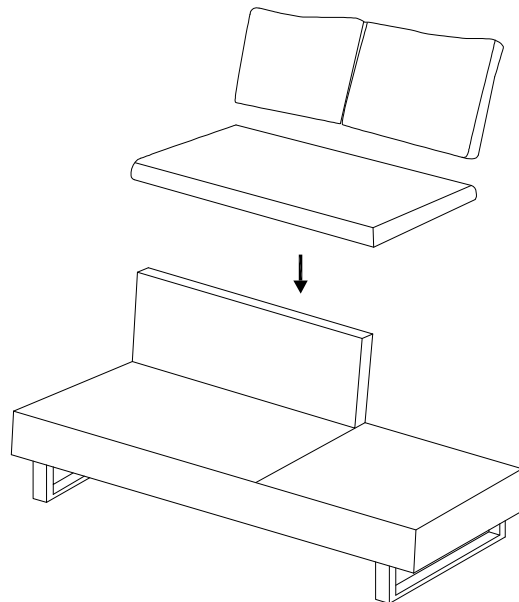
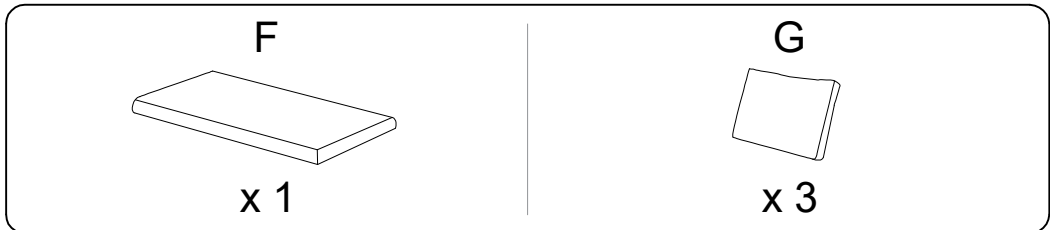
B



1

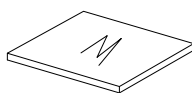


2

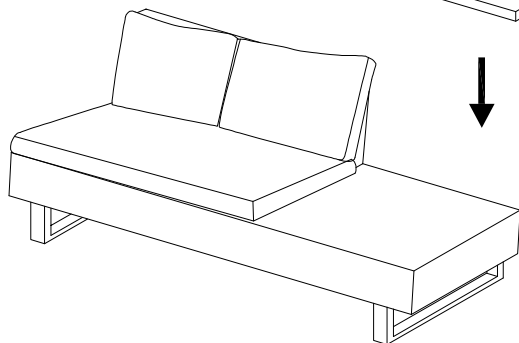
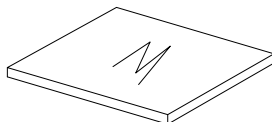


3

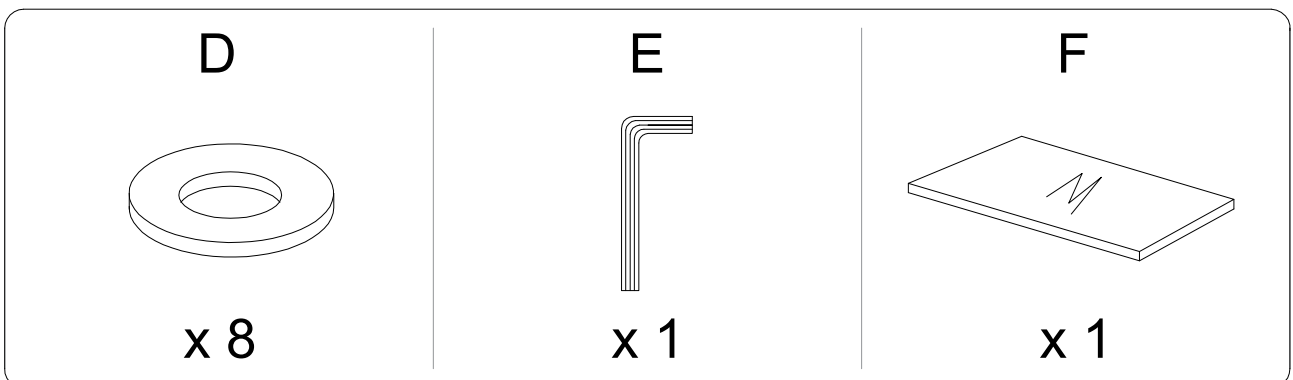
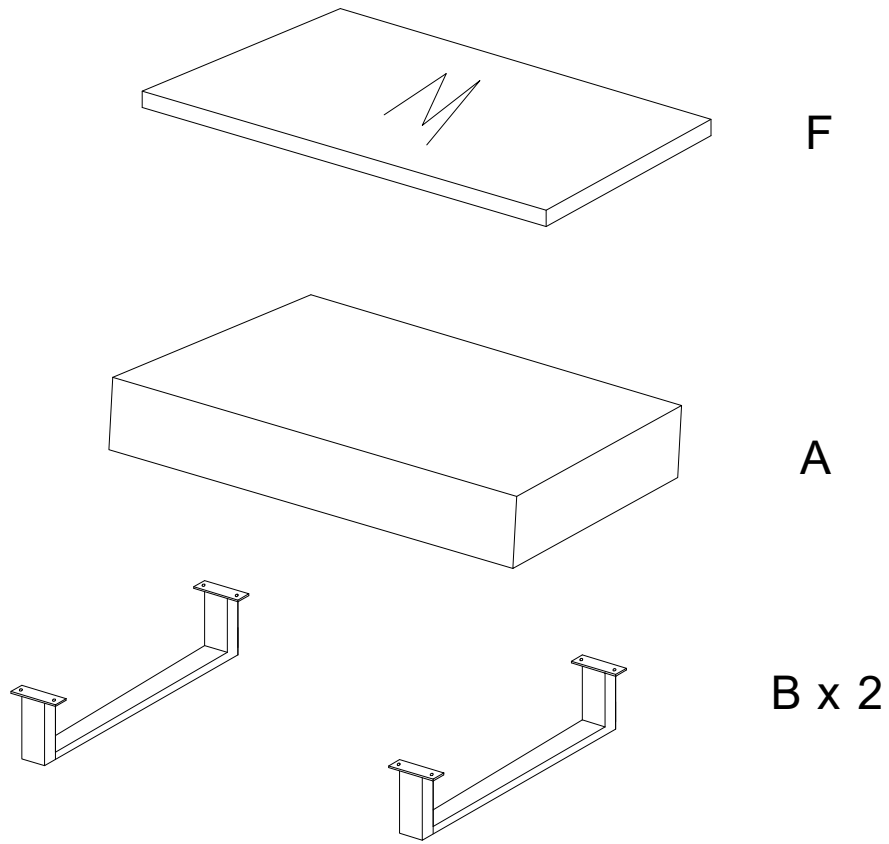
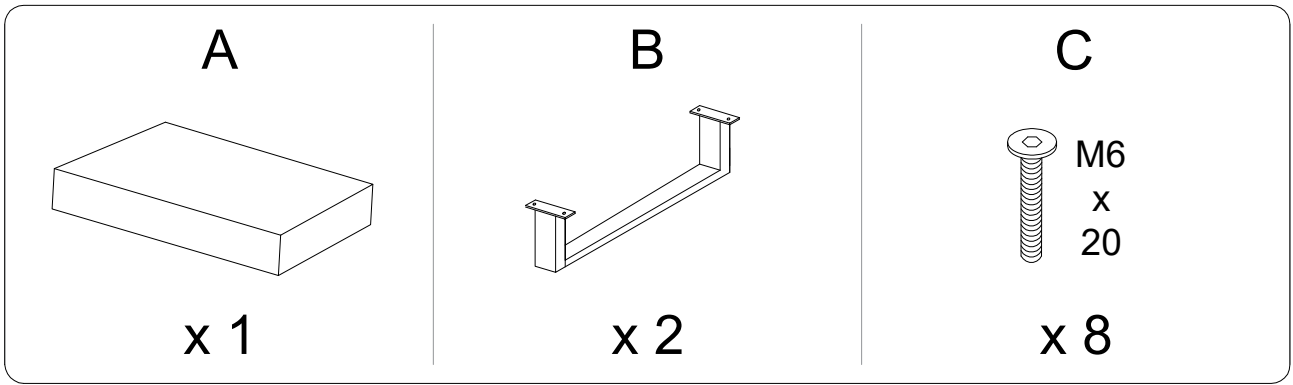
H



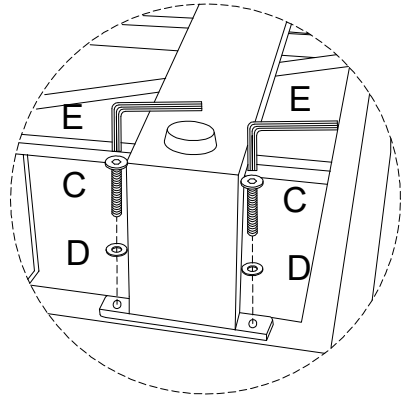
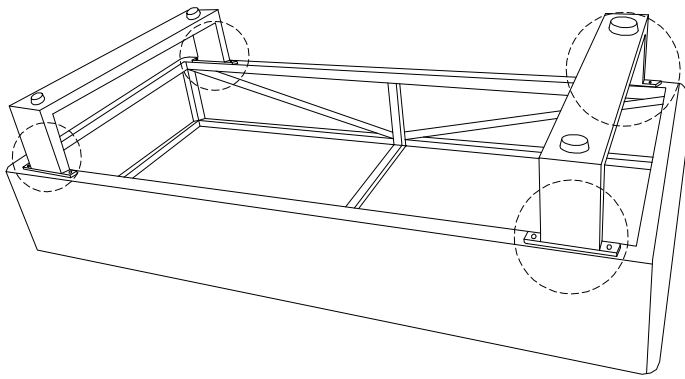
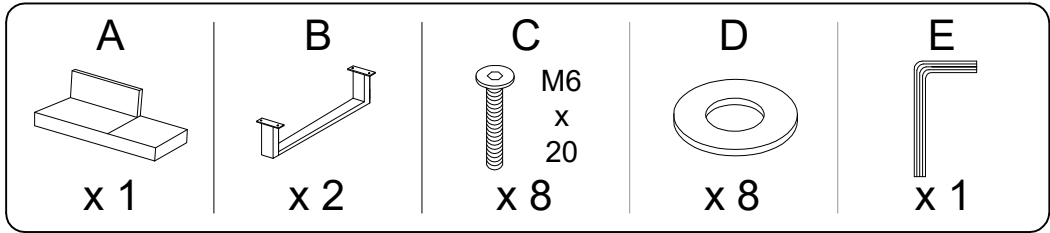
x 1



C



1



2

