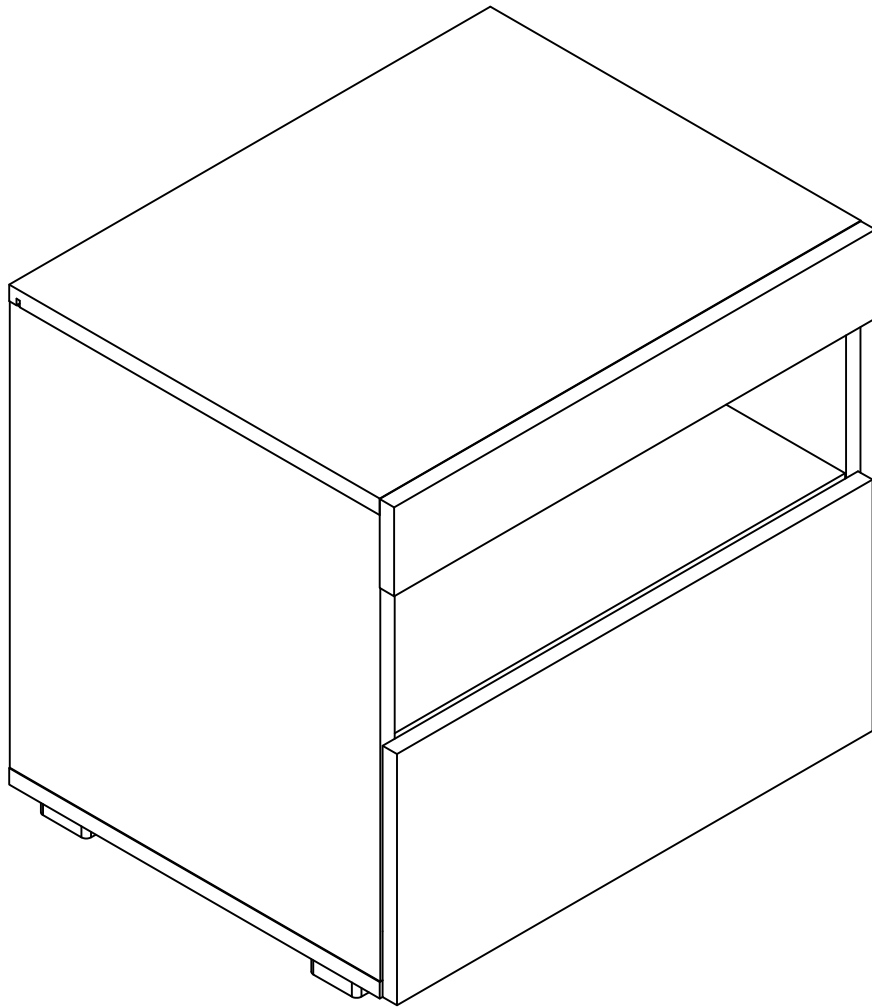
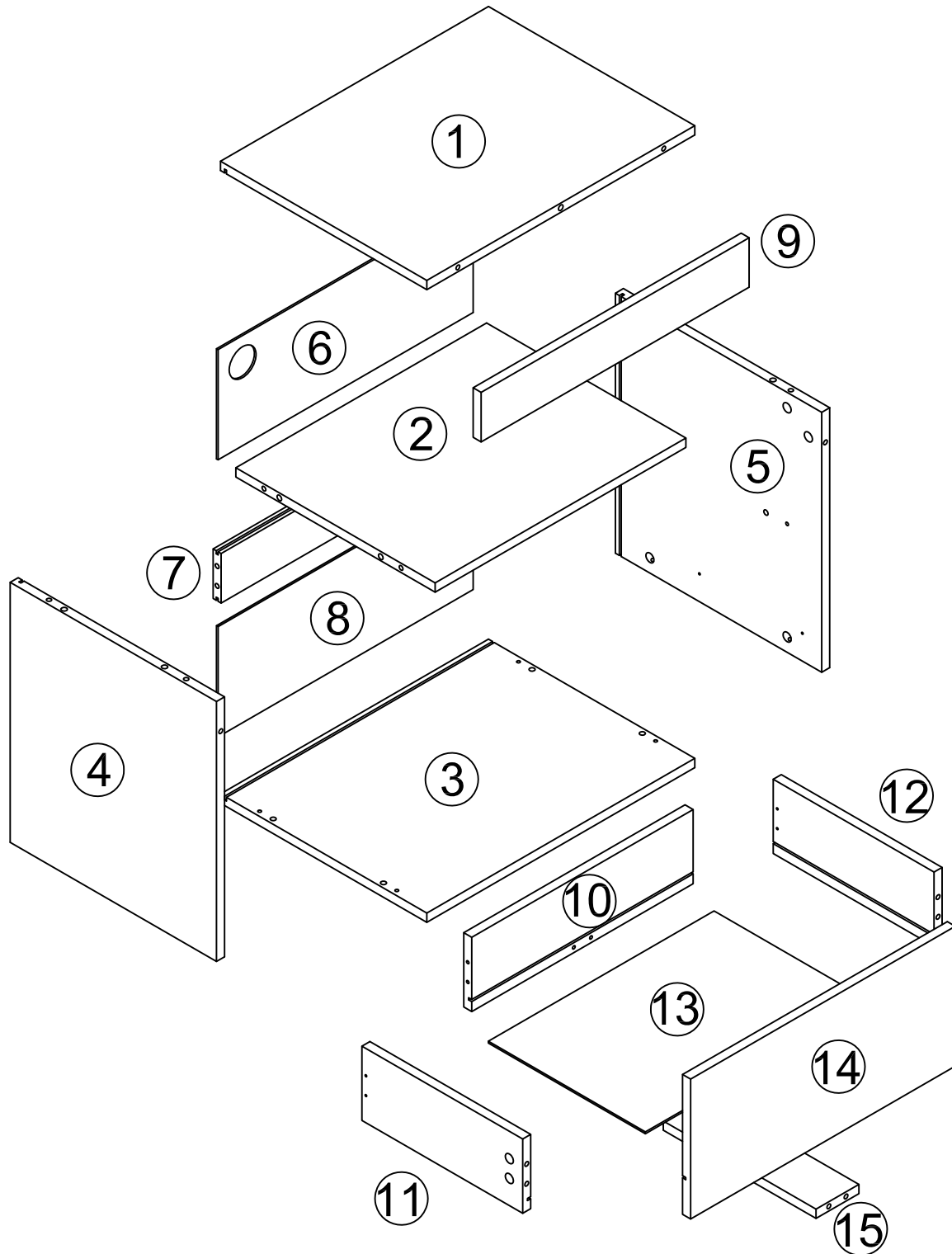


1

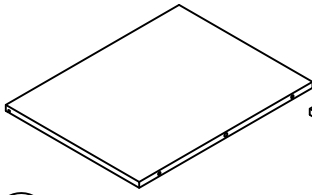
ASSEMBLY INSTRUCTIONS



BOARD IDENTIFICATION



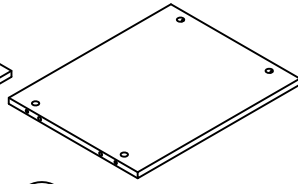
BOARD IDENTIFICATION



①

MAIN PANEL

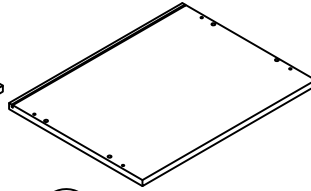
X1



②

FIXDE PANEL

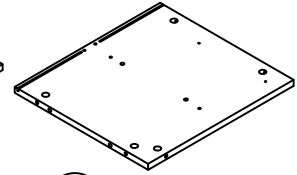
X1



③

BOTTOM

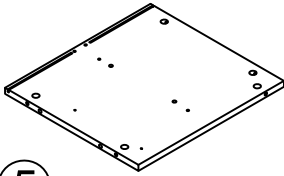
X1



④

LEFT SIDE PANEL

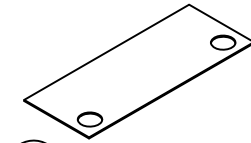
X1



⑤

RIGHT SIDE PANEL

X1



⑥

UPPER BACK PANEL

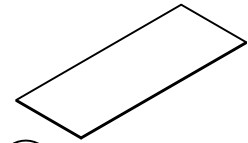
X1



⑦

MIDDLE BACK PANEL

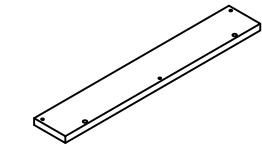
X1



⑧

LOWER BACK PANEL

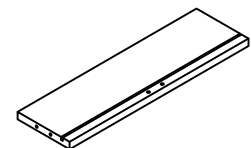
X1



⑨

FRONT PULL

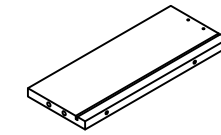
X1



⑩

DRAWER BACK

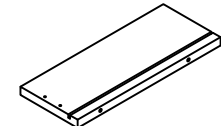
X1



⑪

DRAWER LEFT

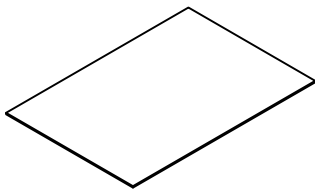
X1



⑫

DRAWER RIGHT

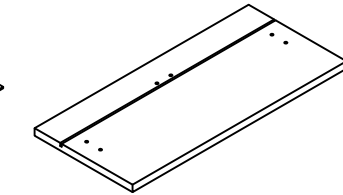
X1



⑬

DRAWER BOTTOM

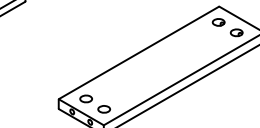
X1



⑭

DRAWER FRONT

X1



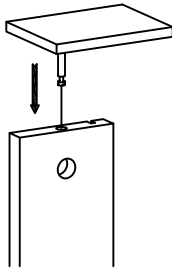
⑮

DRAWER BOTTOM PULL

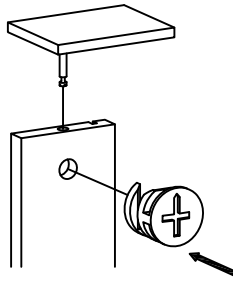
X1

4

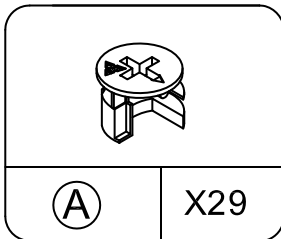
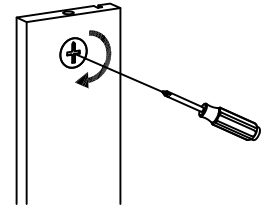
1



2



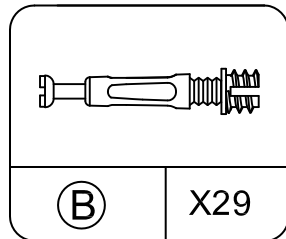
3



(A)

X29

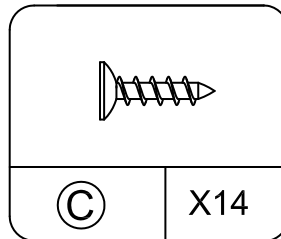
CAM LOCK
F15*11



(B)

X29

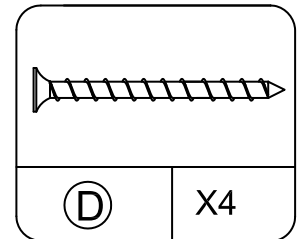
CAM BOLT
F7*31



(C)

X14

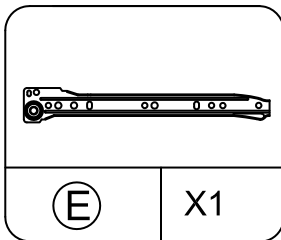
SCREW
F3.5*12



(D)

X4

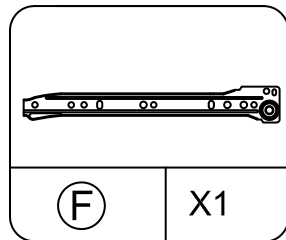
SCREW
F4*35



(E)

X1

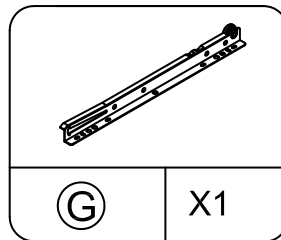
LEFT OUTER TRACK
F20*300



(F)

X1

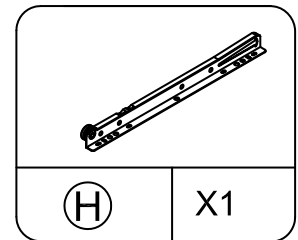
RIGHT OUTER TRACK
F20*300



(G)

X1

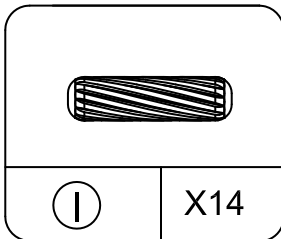
LEFT INNER TRACK
F20*300



(H)

X1

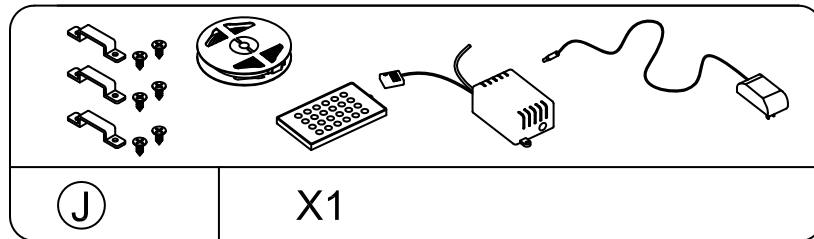
RIGHT INNER TRACK
F20*300



(I)

X14

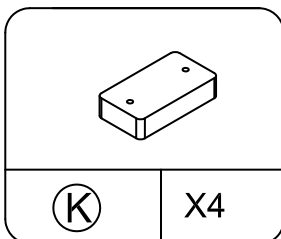
WOOD DOWEL
F8*30



(J)

X1

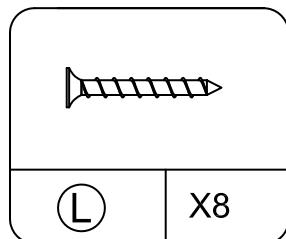
LIGHT STRIP



(K)

X4

FOOT



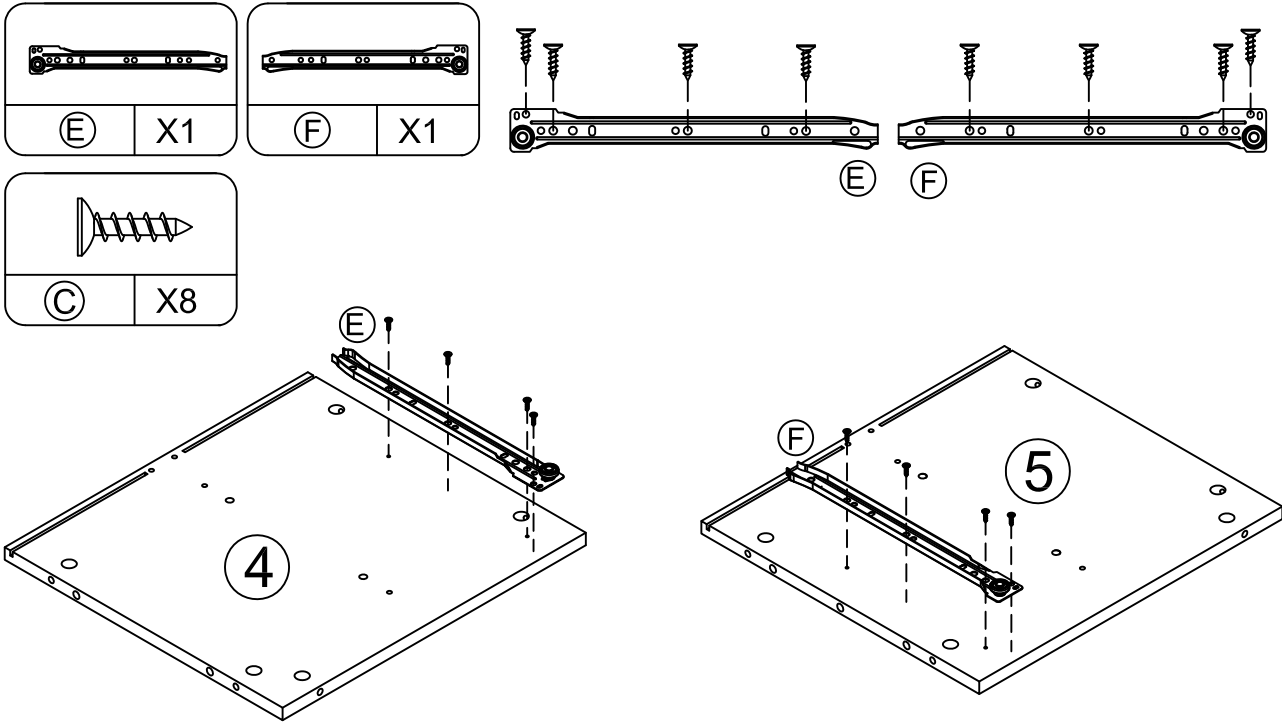
(L)

X8

SCREW
F4*25

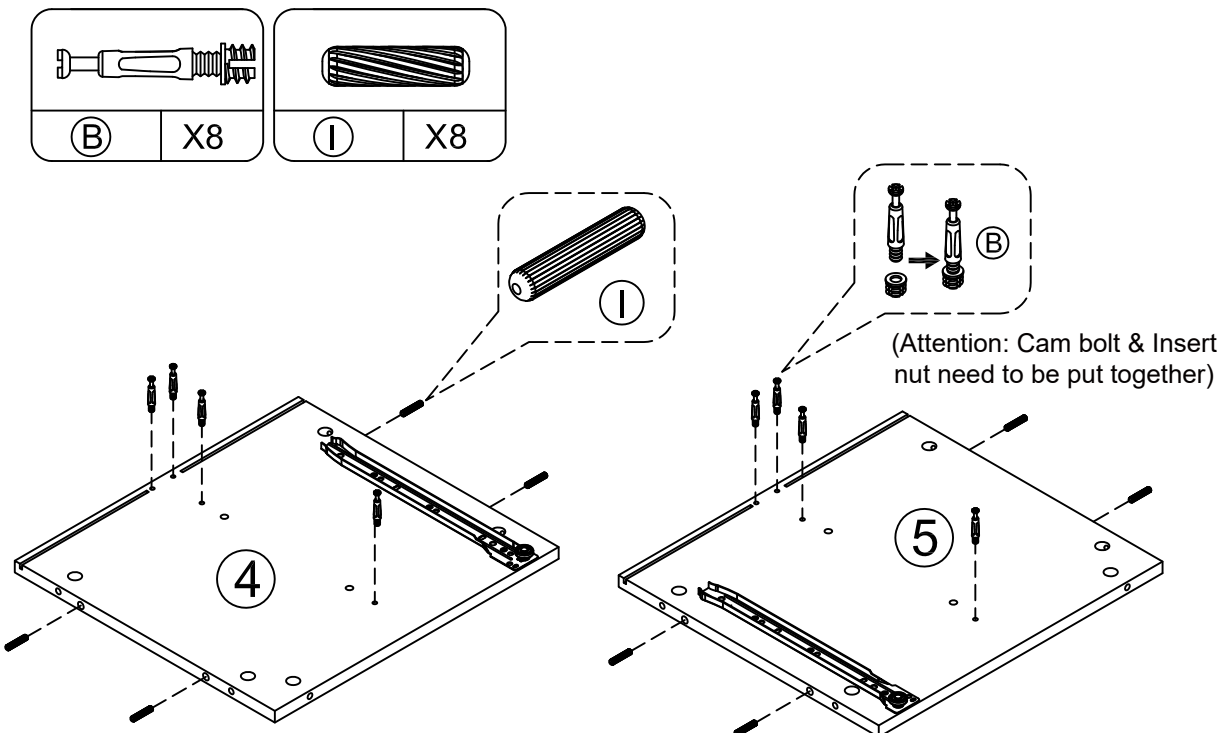
STEP 1

- Install drawer track (E) & (F) to panel (4) & (5) with screws (C).



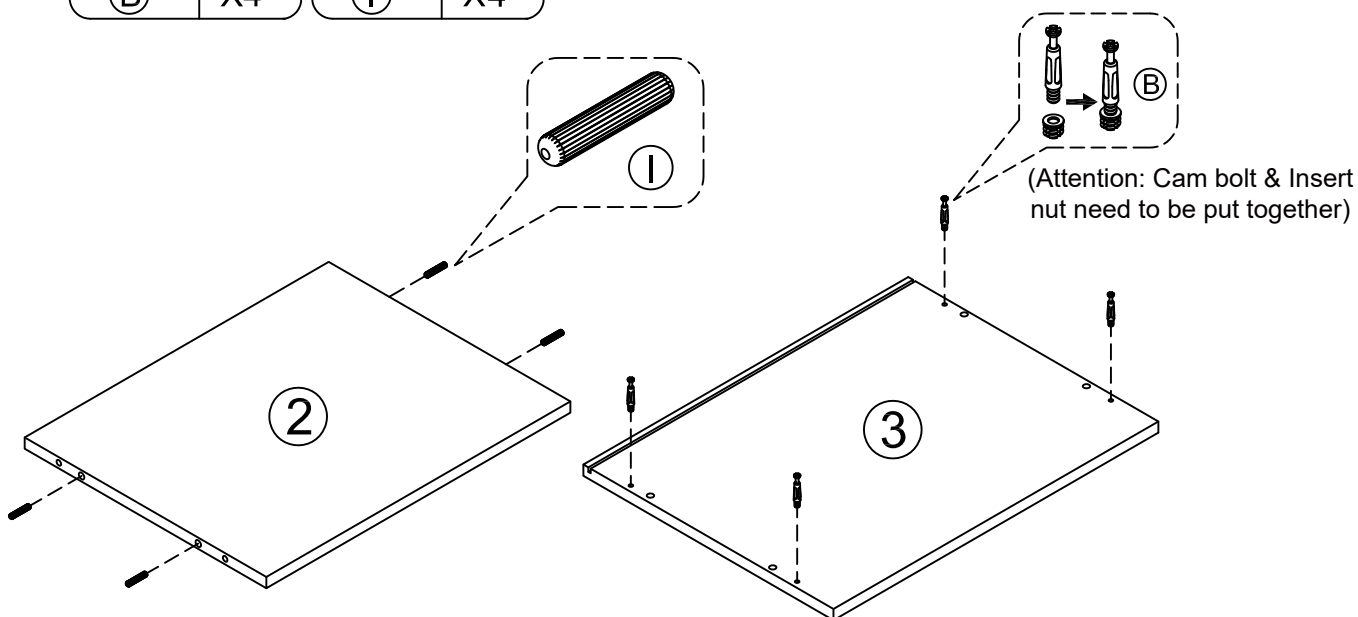
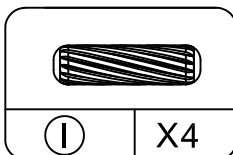
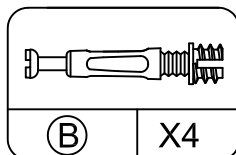
STEP 2

- Screw cam bolts (B) into panel (4) & (5) as below shown.
 - Insert wood dowels (I) into panel (4) & (5) as shown in the picture.



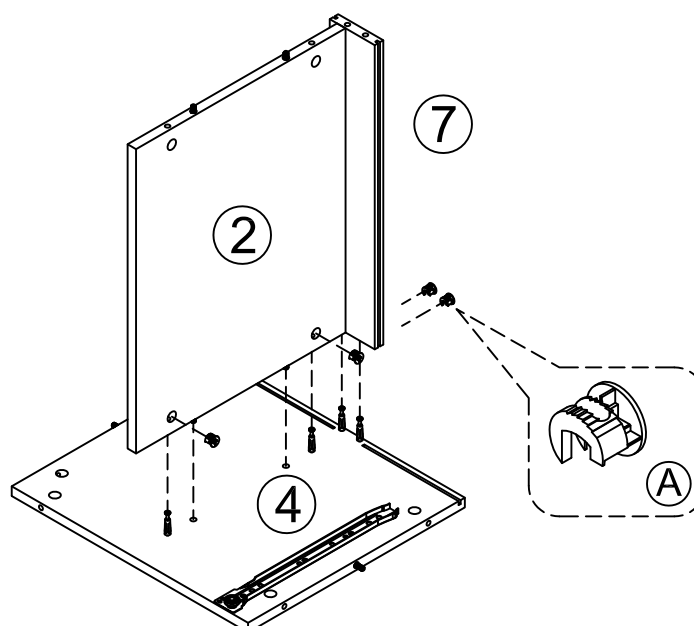
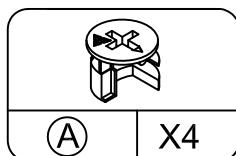
STEP 3

- Screw cam bolts (B) into panel (3) as below shown.
- Insert wood dowels (I) into panel (2) as shown in the picture.



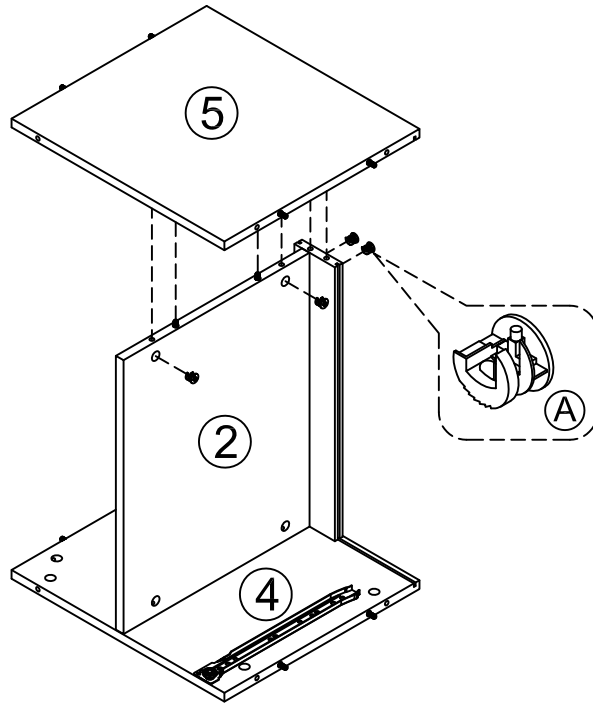
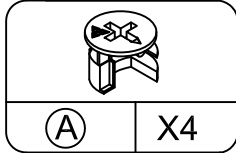
STEP 4

- Attach panel (2) & (7) to (4) with cam locks (A).



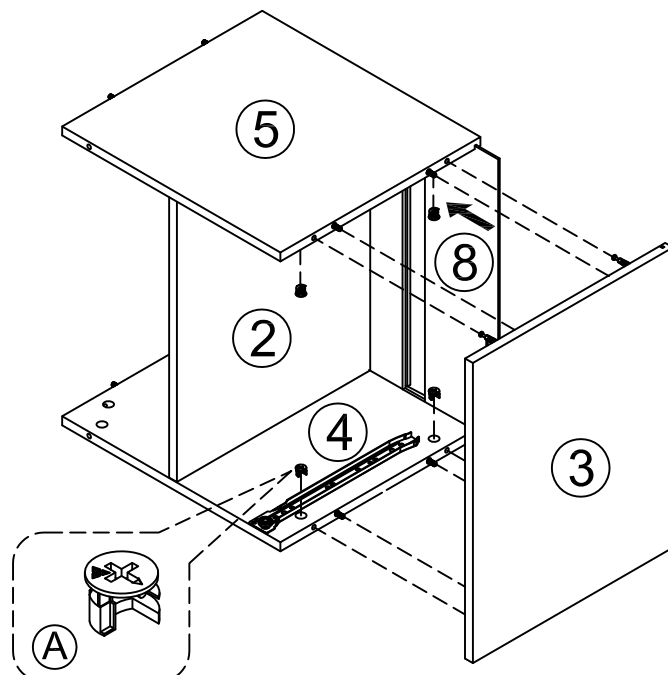
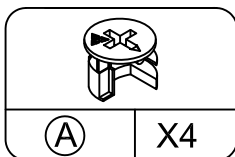
STEP 5

- Attach panel (5) to (2) & (7) with cam locks (A).



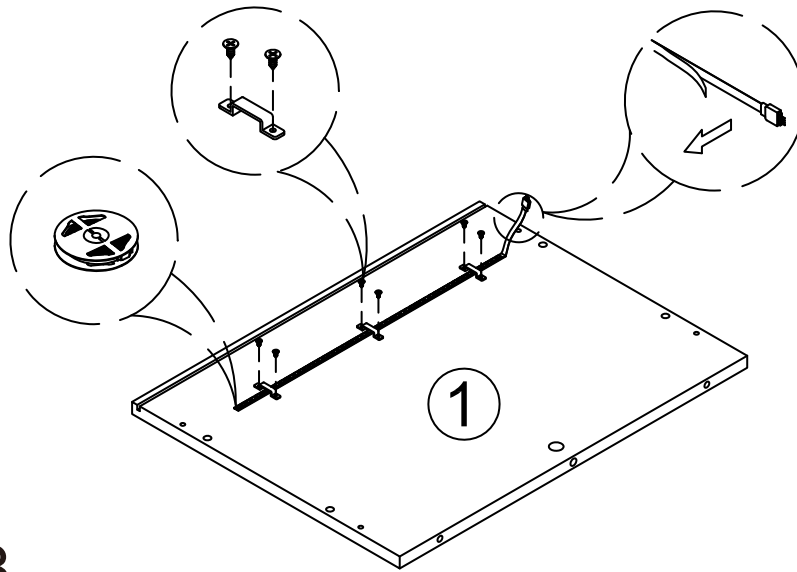
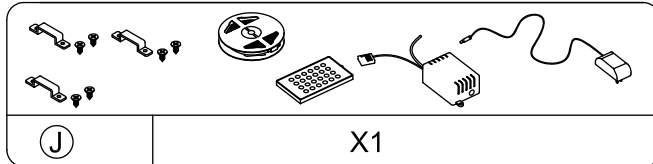
STEP 6

- Insert panel (8) into the grooves.
- Attach panel (3) to (4) & (5) with cam locks (A).



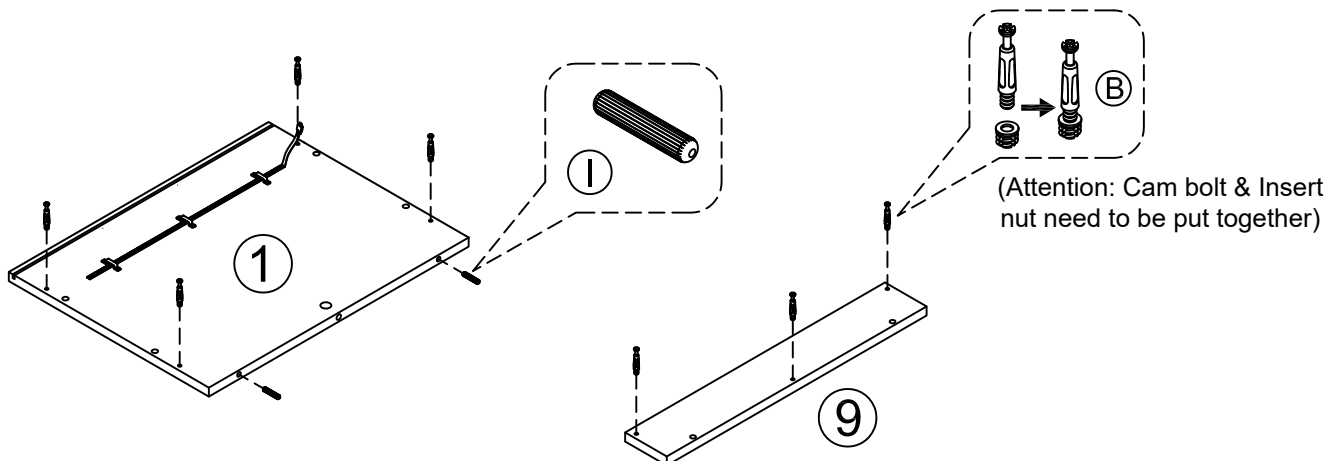
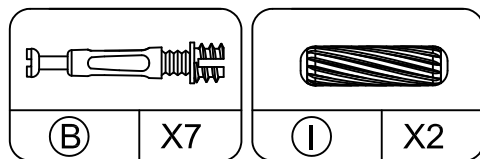
STEP 7

- Paste LED in the of panel (1).
- Fasten the LED band with buckles.



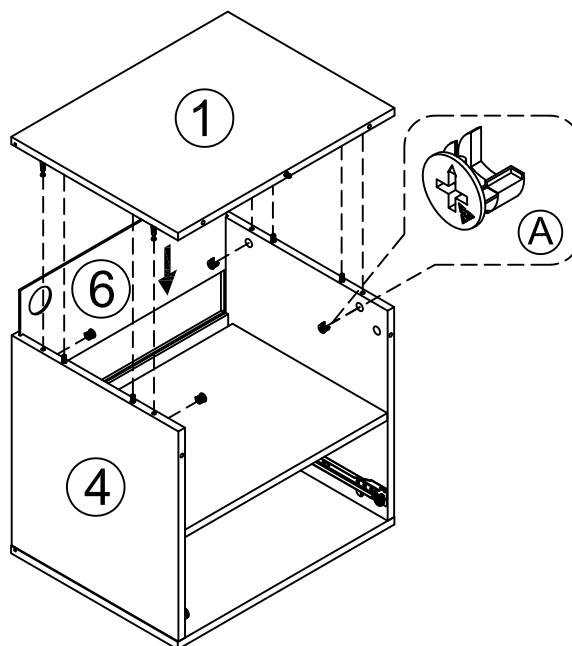
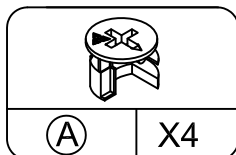
STEP 8

- Screw cam bolts (B) into panel (1) & (9) as below shown.
- Insert wood dowels (I) into panel (1) as shown in the picture.



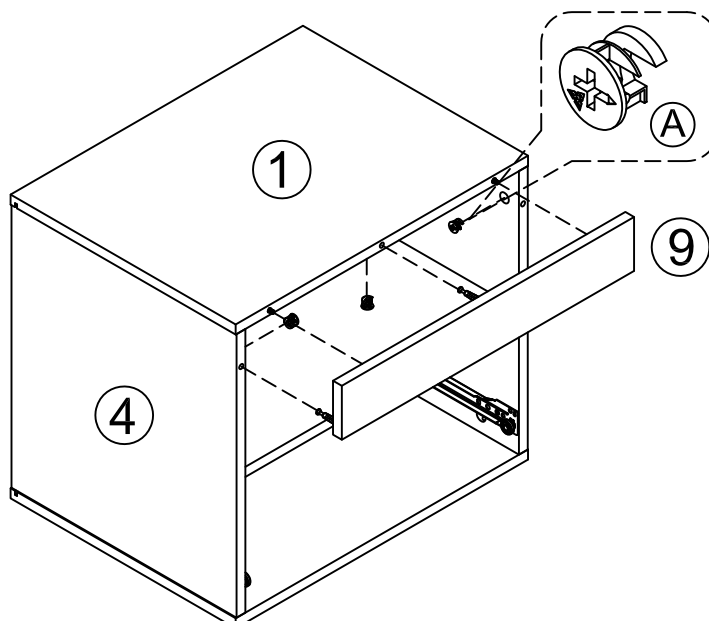
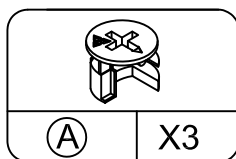
STEP 9

- Insert panel (6) into the grooves.
- Attach panel (1) to (4) & (5) with cam locks (A).



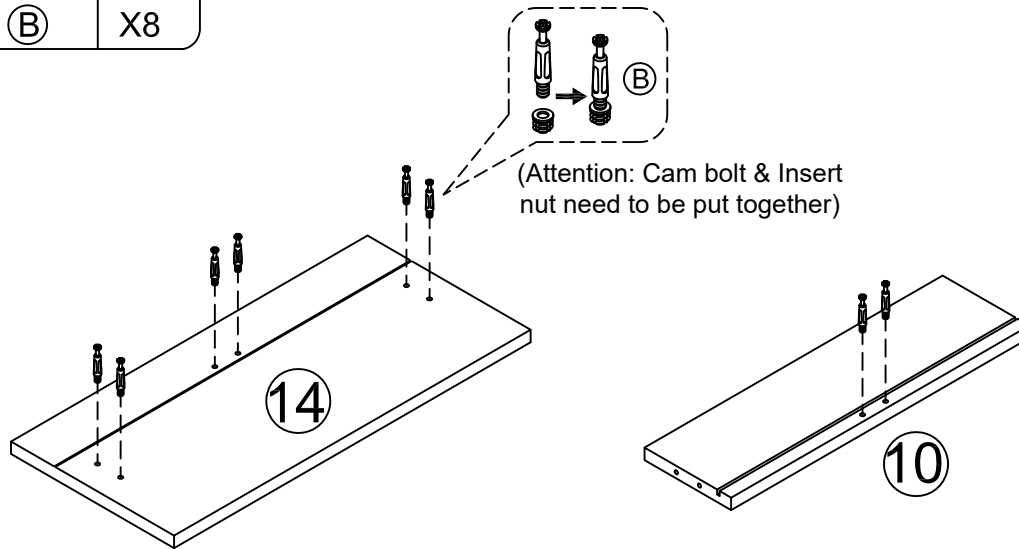
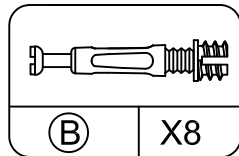
STEP 10

- Attach panel (9) to (1) & (4) & (5) with cam locks (A).



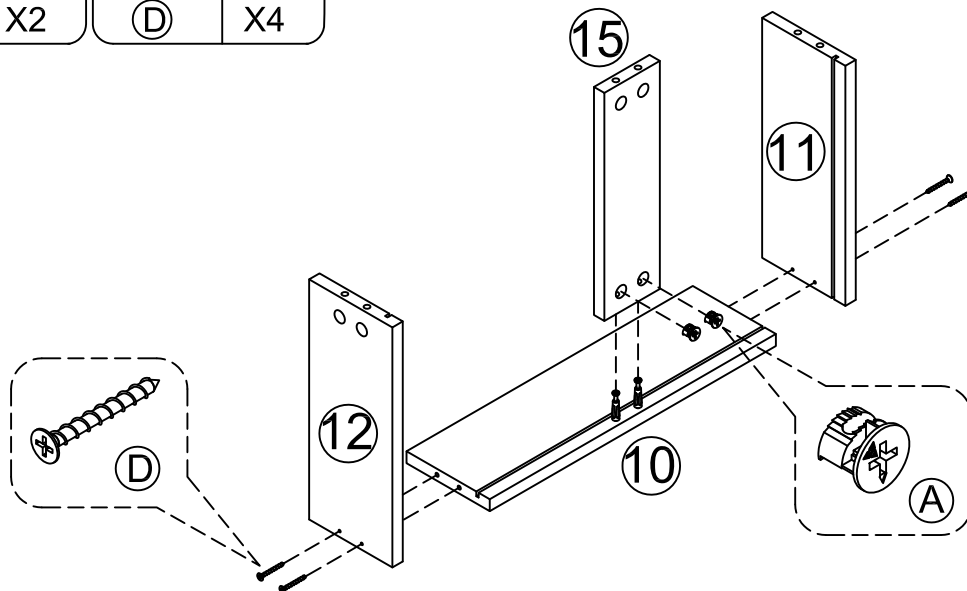
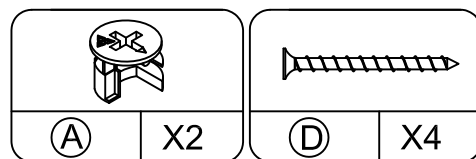
STEP 11

- Screw cam bolts (B) into panel (10) & (14) as below shown.



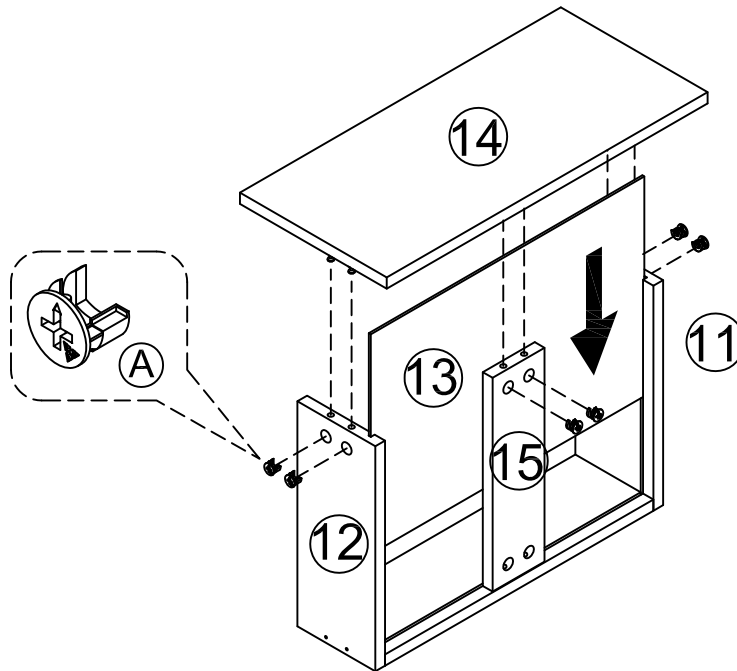
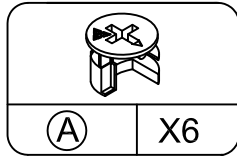
STEP 12

- Attach panel (10) to (11) & (12) with screw (D) as shown in the picture.
 - Attach panel (15) to (10) with cam locks (A).



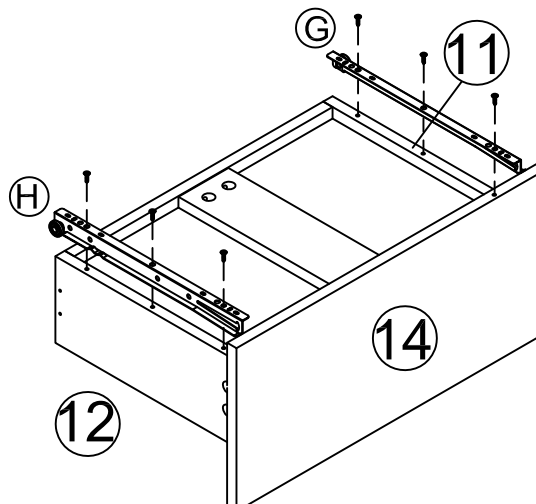
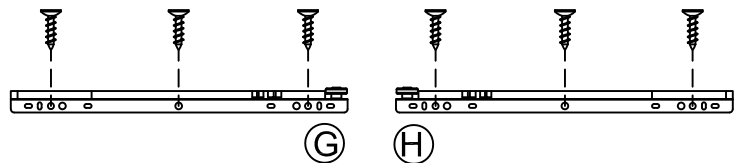
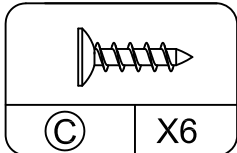
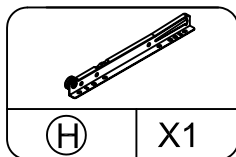
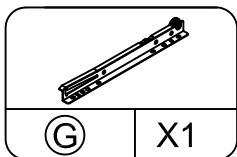
STEP 13

- Insert panel (13) into the grooves.
- Attach panel (14) to (11) & (12) & (15) with cam locks (A).



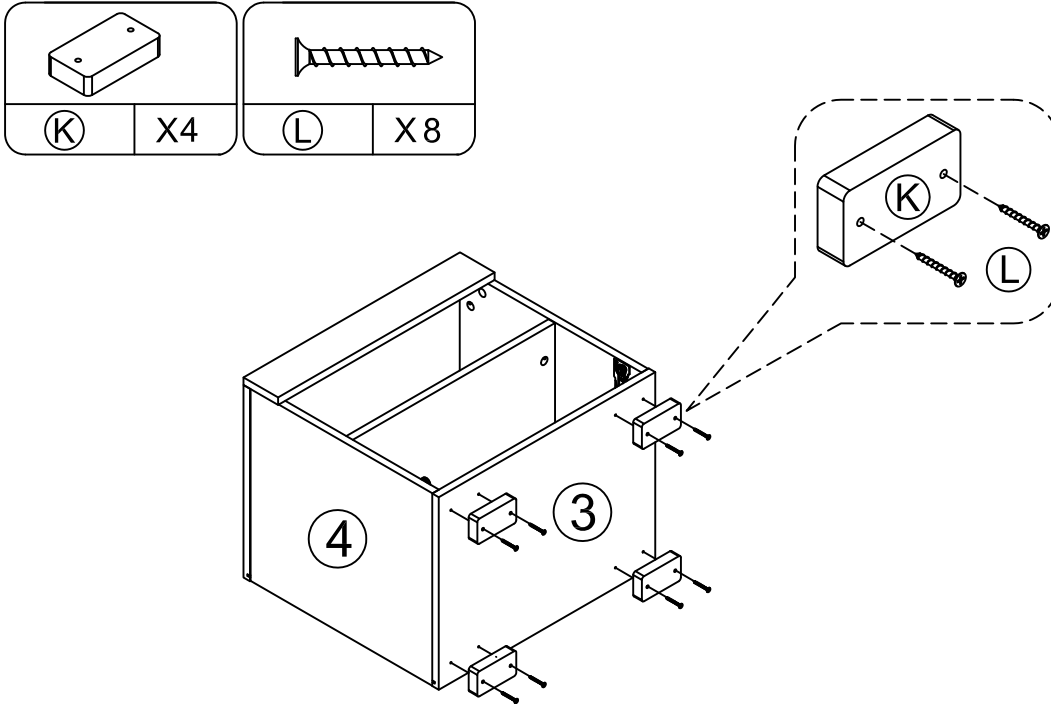
STEP 14

- Install drawer track (G) & (H) to panel (11) & (12) with screws (C).



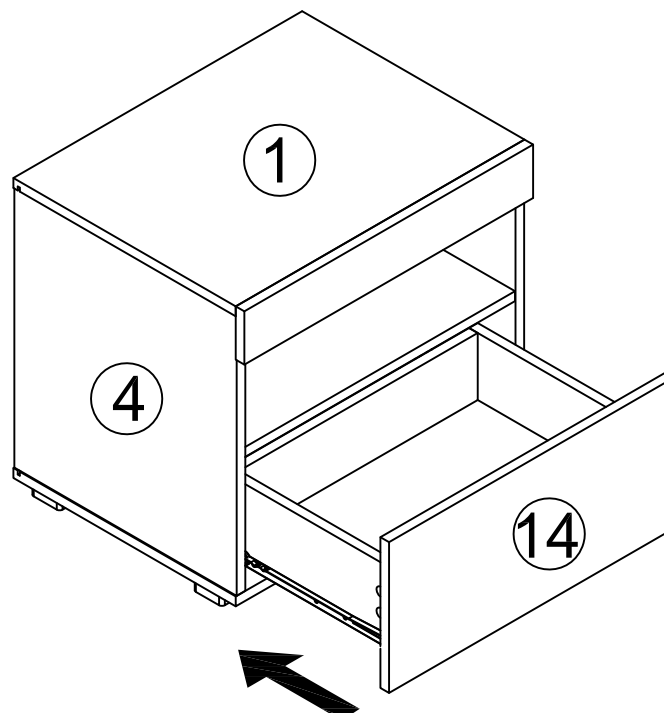
STEP 15

-Attach foot (K) to the panel (3) with screws (L).



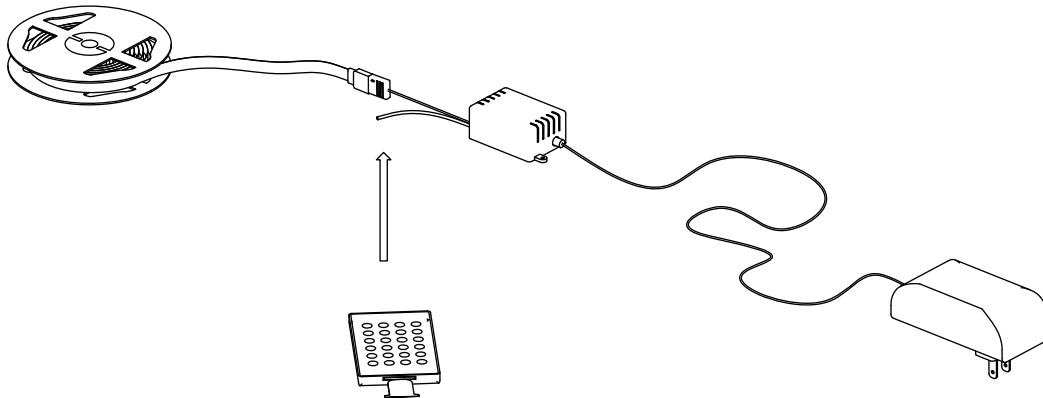
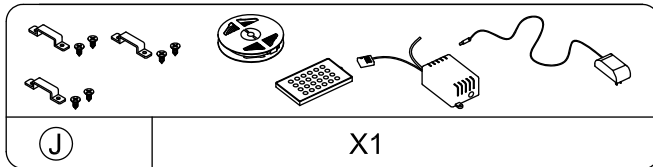
STEP 16

- Insert the drawers.



STEP 17

- Connected pin of LED and power adapter to the RGB control box as below.
 - Remove the battery protection pad from remote controller.
 - Align remote controller to the RGB Control box to adjust the color mode.
- Specifications of battery:cr2025 3v



STEP 18

- Installation complete.

