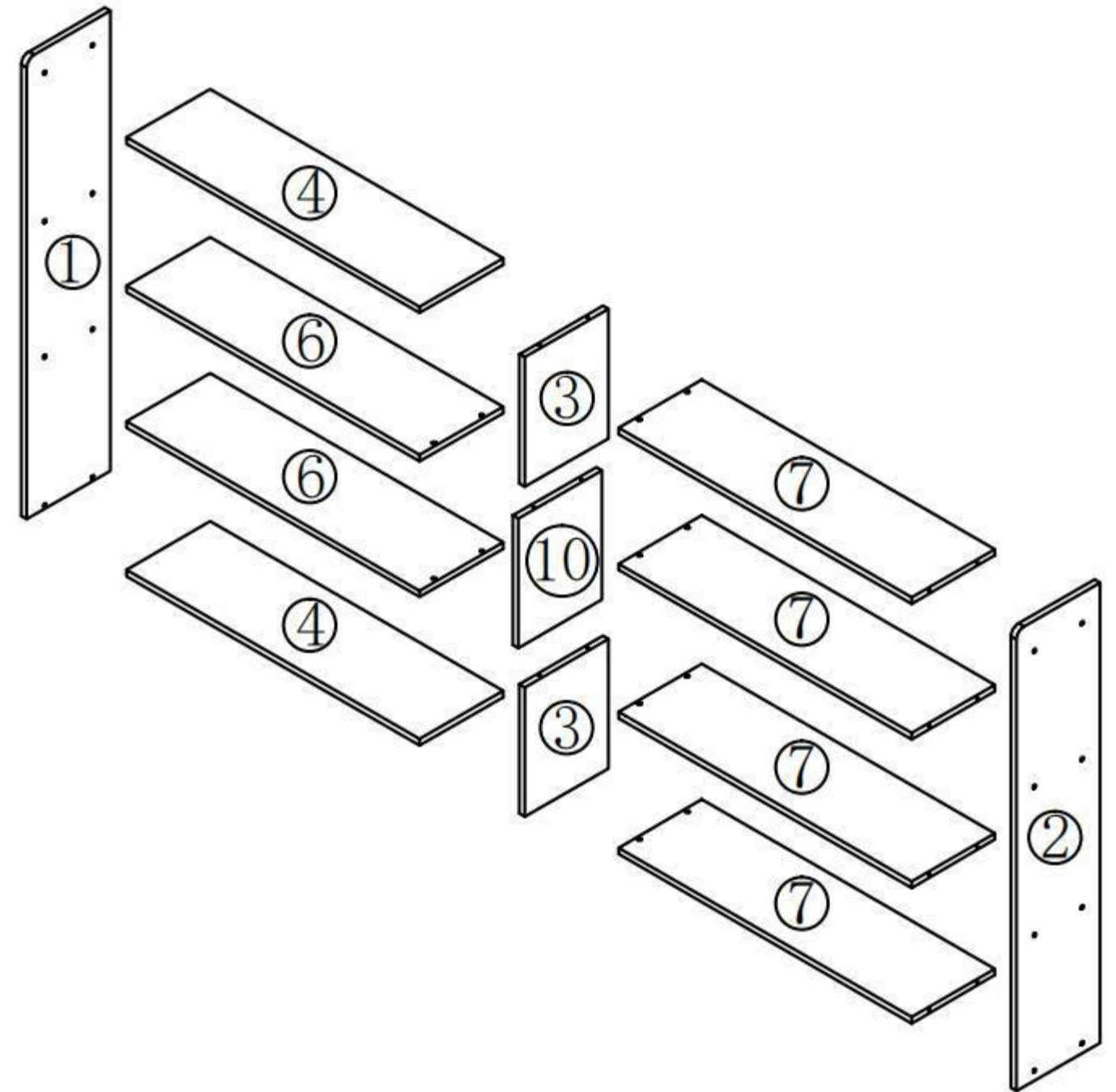
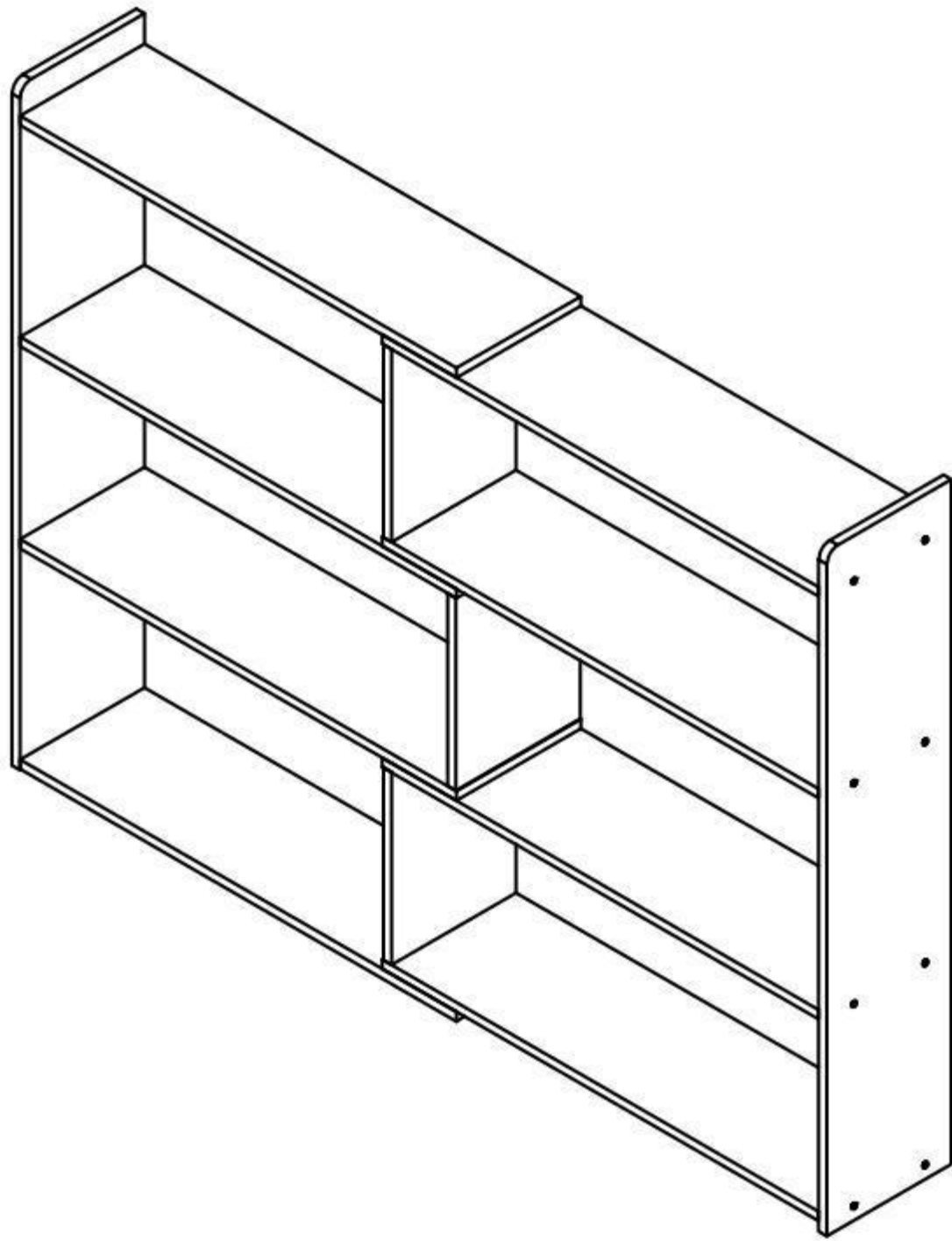




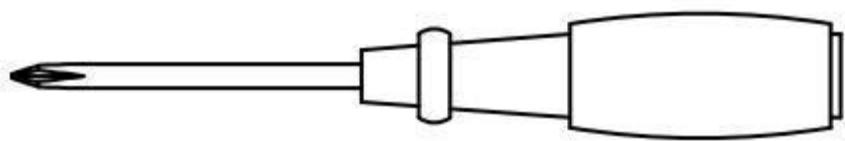
# Installation Diagram

If there is any damage during transportation, please contact us with pictures and provide us with the specific number so that we can handle it quickly. Thank you!



Must-read  
for  
Operations

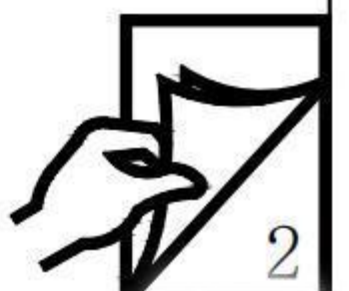
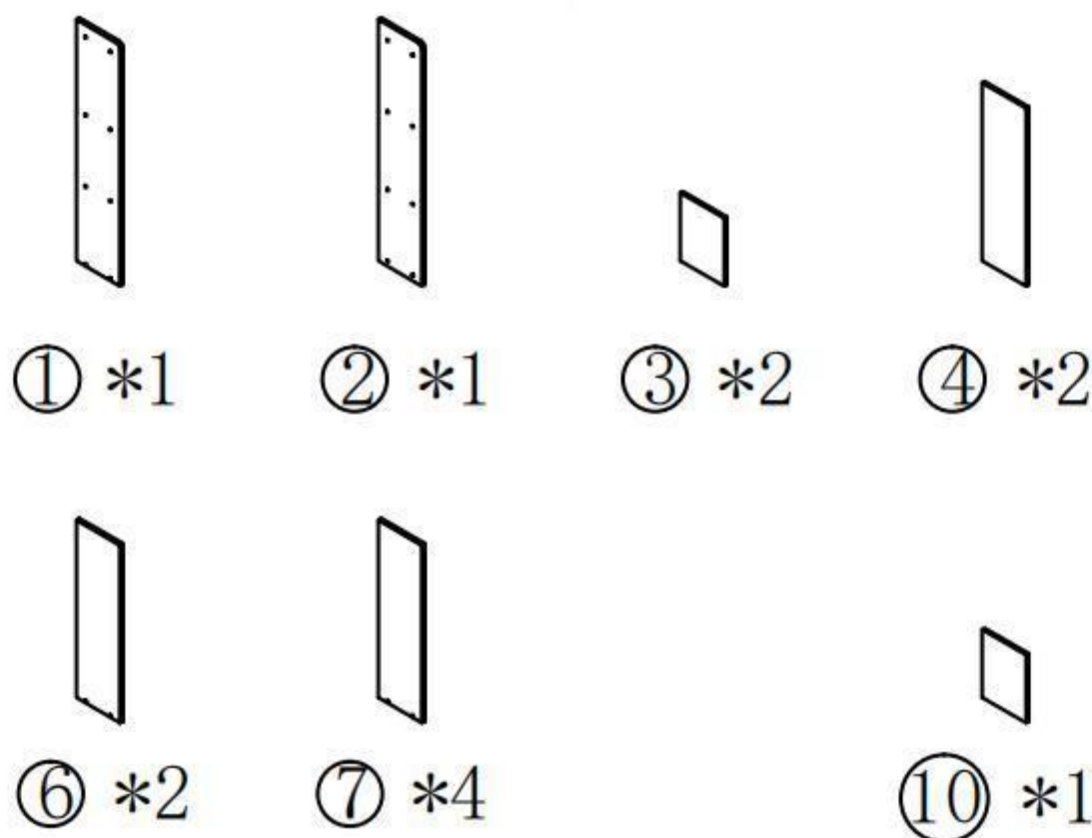
- ★ 1. As the board and screws are not universal, please carefully read the instructions before installation and distinguish between each type of board and screw.
- ★ 2. During installation, please tighten the screws by 70% first, and then tighten all screws after the installation is complete.



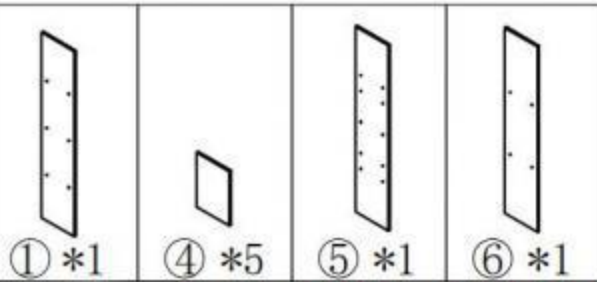
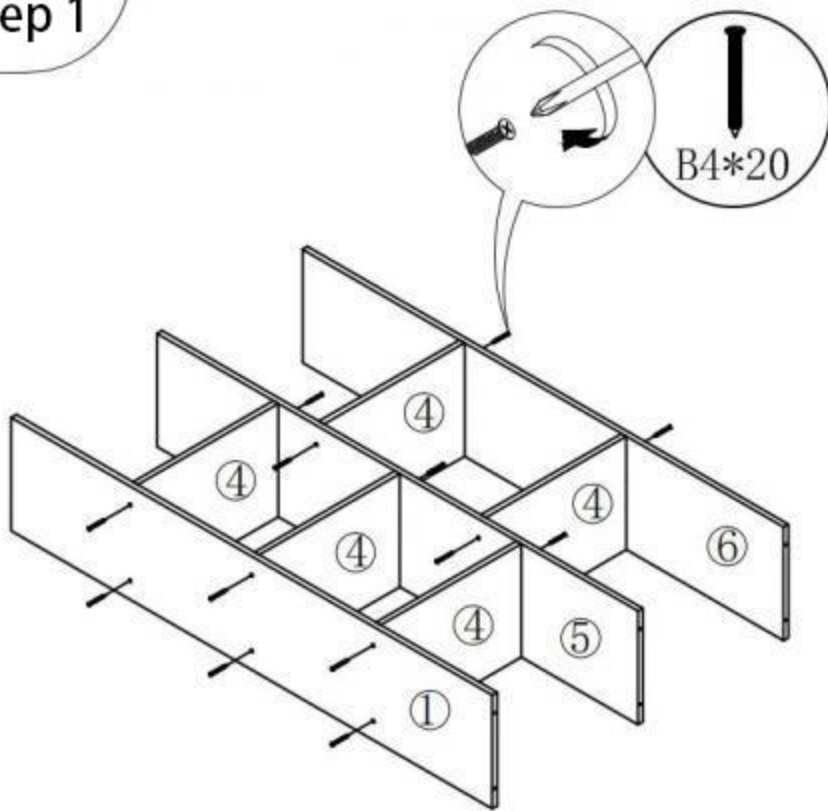
Screwdriver\*1



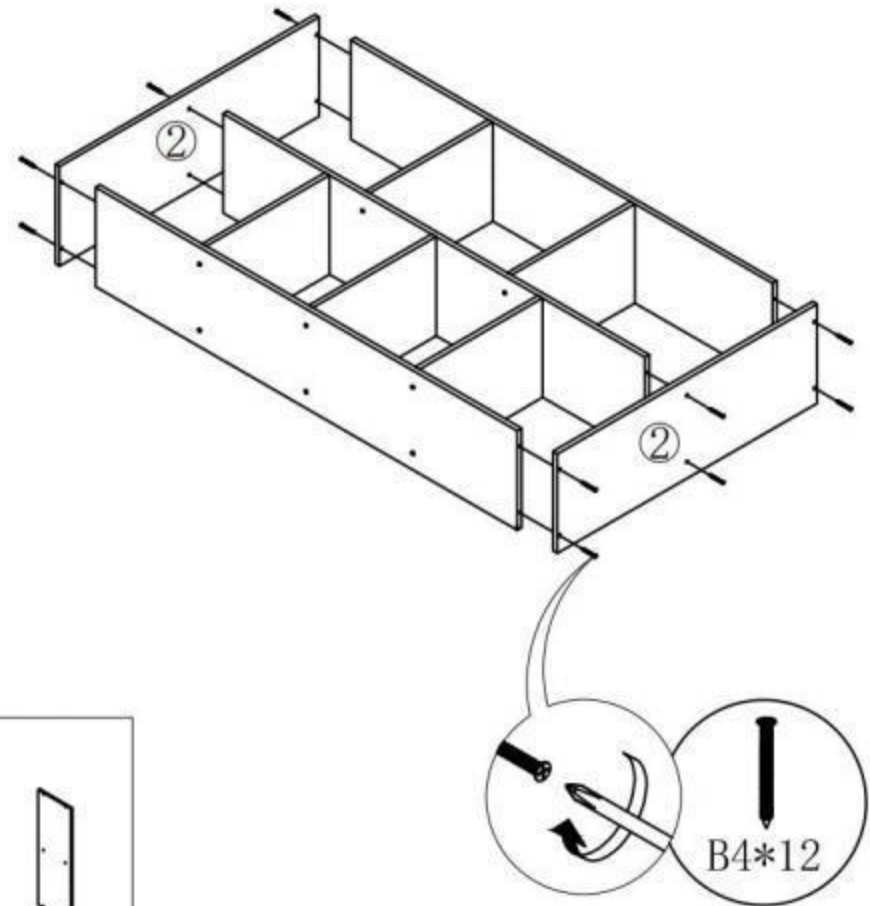
B4\*30



Step 1

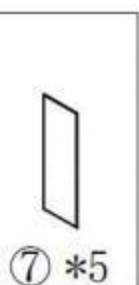
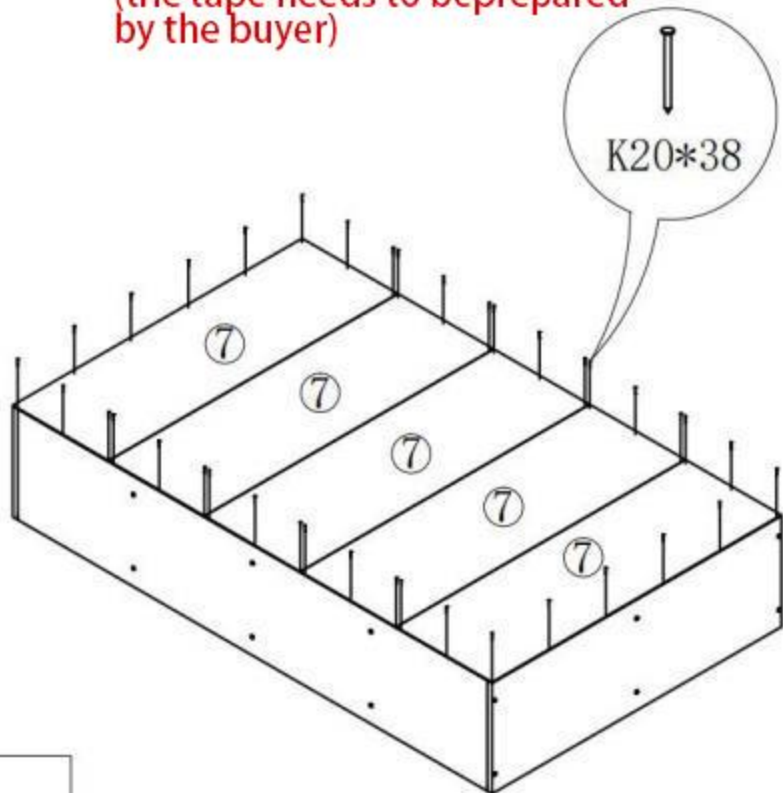


Step 2

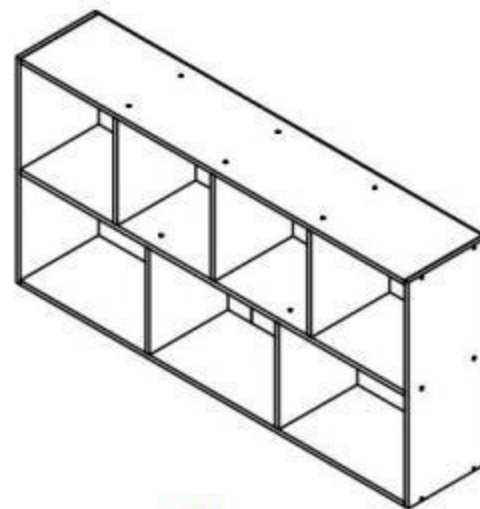


Step 3

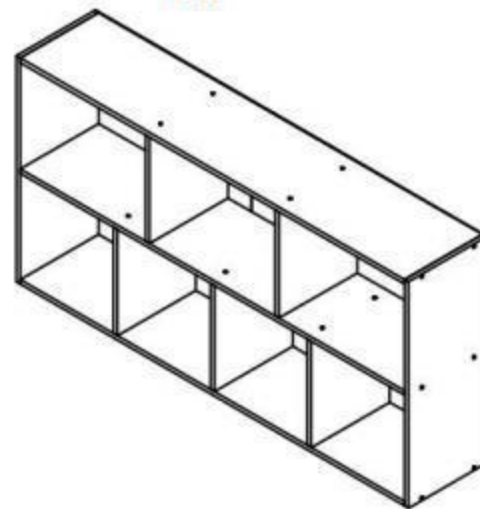
Cover the 3mm backboard and use a hammer to drive in the nails along the edges (the hammer needs to be prepared by the buyer) For aesthetic purposes, it is recommended to use tape to adhere the gaps on the backboard until they are flush (the tape needs to be prepared by the buyer)



Step 4



OR



**Complete installation!!**