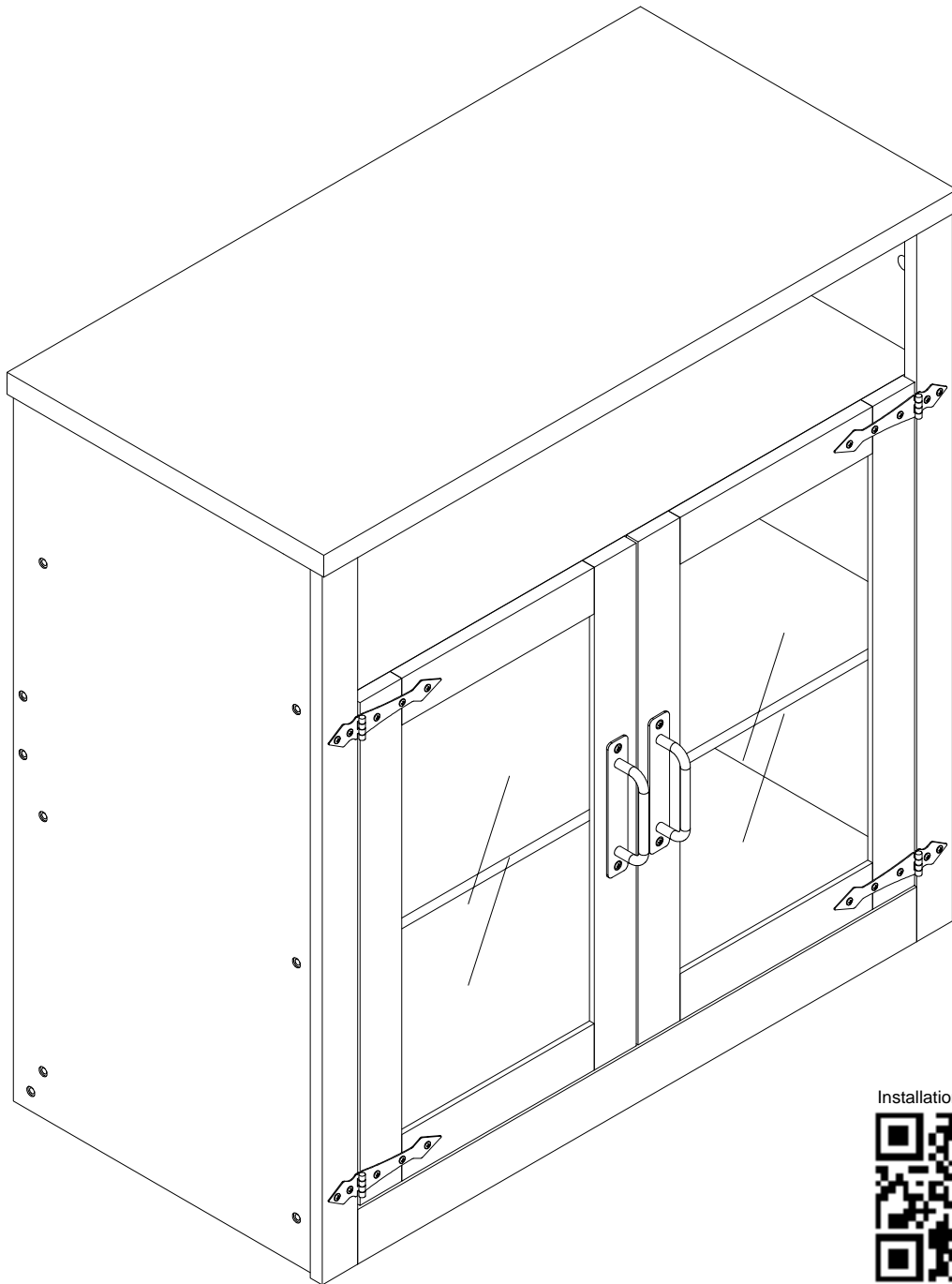


DJ0850-80CM-B

Assembly Instruction



Installation Video QR

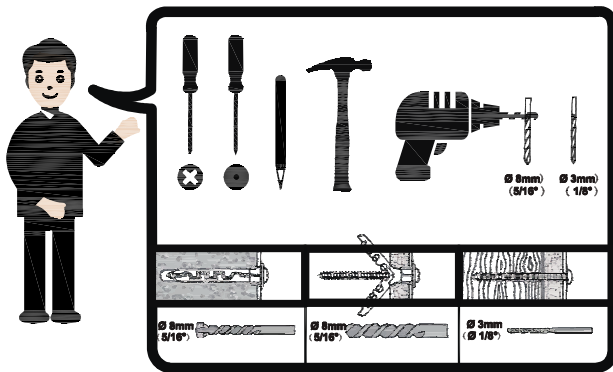


SKU:DJ0850WTBR-80CM-B
<https://vimeo.com/1058058096>

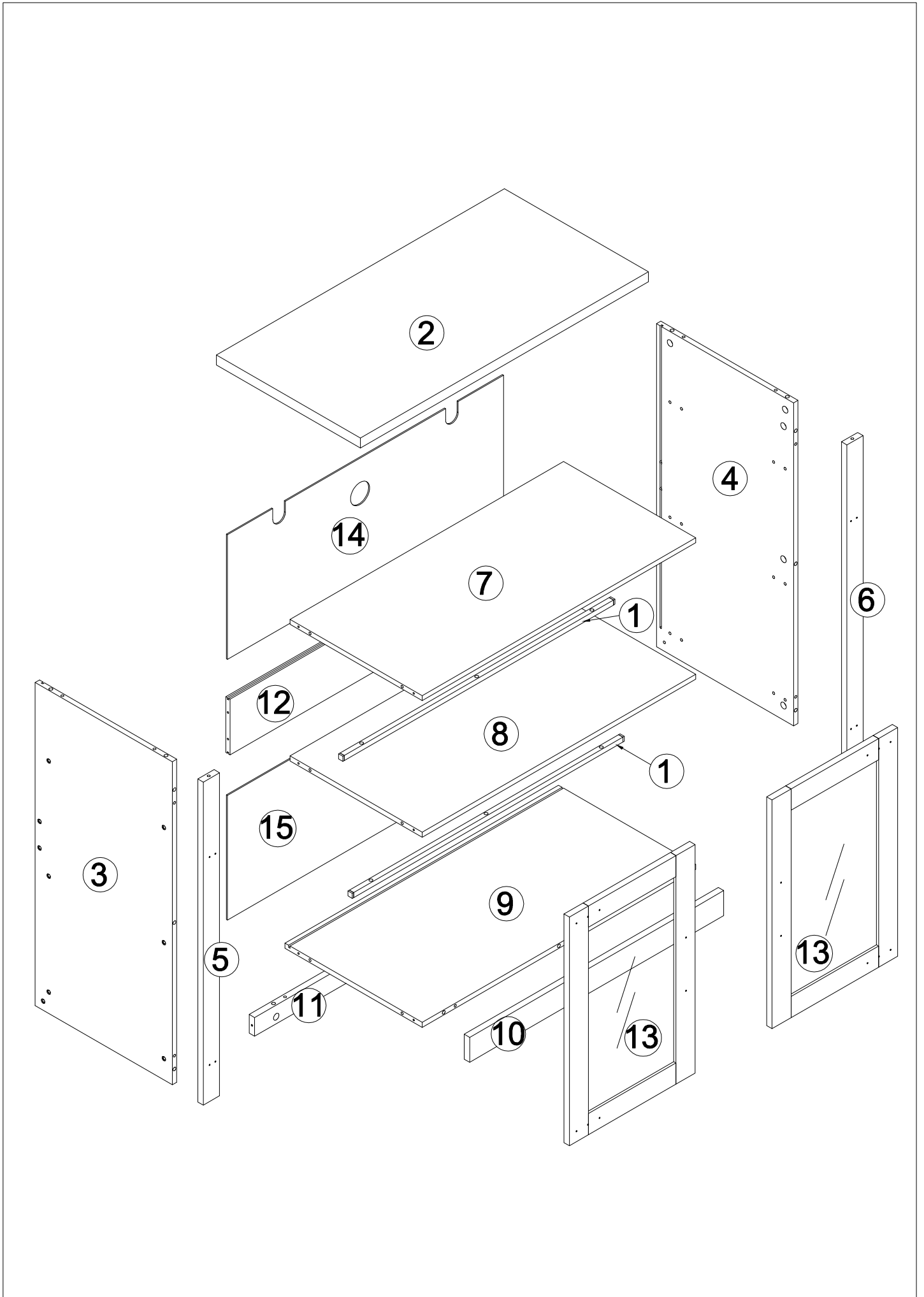
Important reminder:

- ⚠ Please sort and check all accessories before assembly.
- ⚠ Please place the product on empty cardboard box or carpet to avoid scratches on it,
- ⚠ Please use proper tools for assembly. Using an electric screwdriver can accelerate the assembly speed, but please do not overtighten the screws.
- ⚠ Please follow the assembly steps and do not skip any of them.
- ⚠ If possible, please find a partner to help you with assembly, which can accelerate assembly.
- ⚠ Keep all small parts of this product away from children. They may cause serious injury.
- ⚠ We hope you can retighten the screws 2 weeks after assembly, and check the tightening procedure of the screws every 3 months.

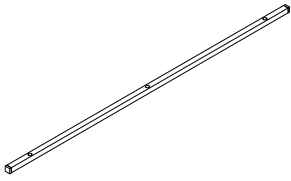
If you meet any difficulty, our friendly customer team are always ready to help you.



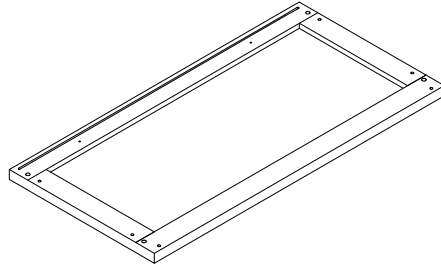
Warning:Overturning the product can cause serious crushing injuries. We have a wall connection device attached, please use it to hold the furniture following assembly instructions. Do not change the structure of this product in way. Our products have been tested and meet any all sales specific security measures. We won't be responsible for any modifications, which may cause significant security risks.



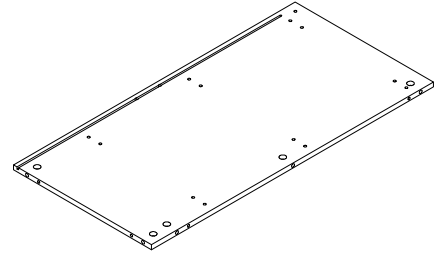
PARTS LIST



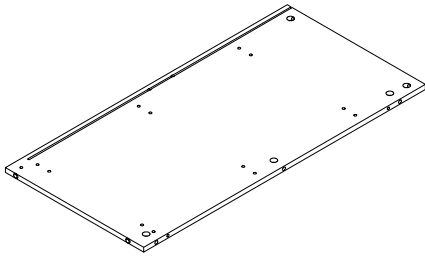
① X2



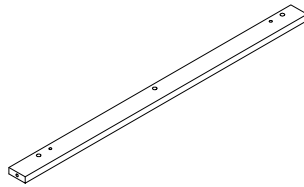
② X1



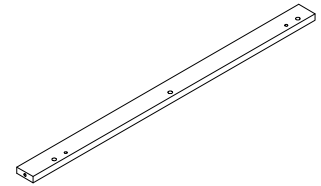
③ X1



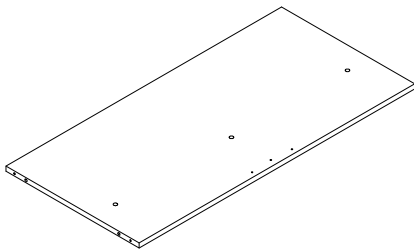
④ X1



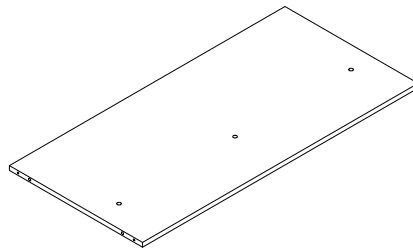
⑤ X1



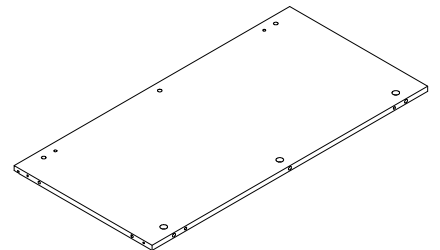
⑥ X1



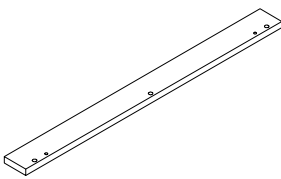
⑦ X1



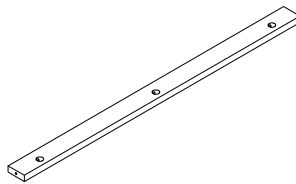
⑧ X1



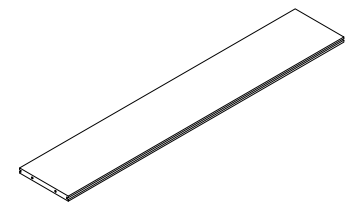
⑨ X1



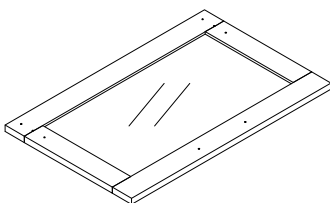
⑩ X1



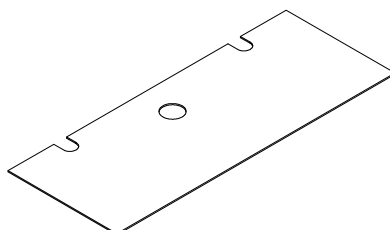
⑪ X1



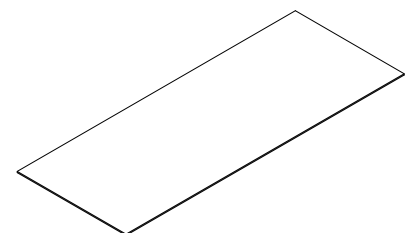
⑫ X1



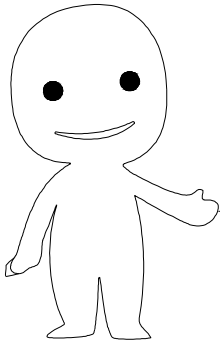
⑬ X2



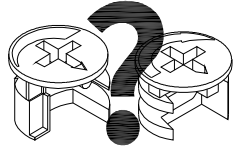
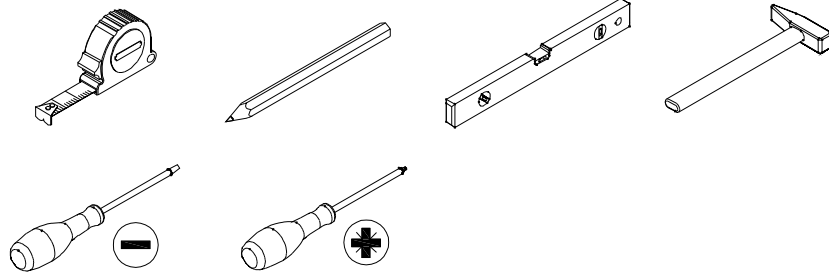
⑭ X1



⑮ X1



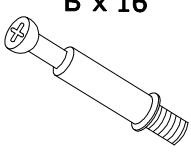
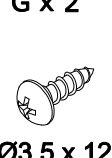
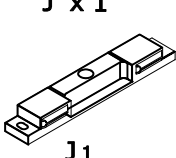


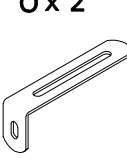
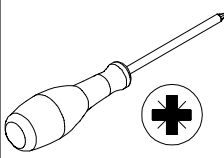
Please prepare the following tools

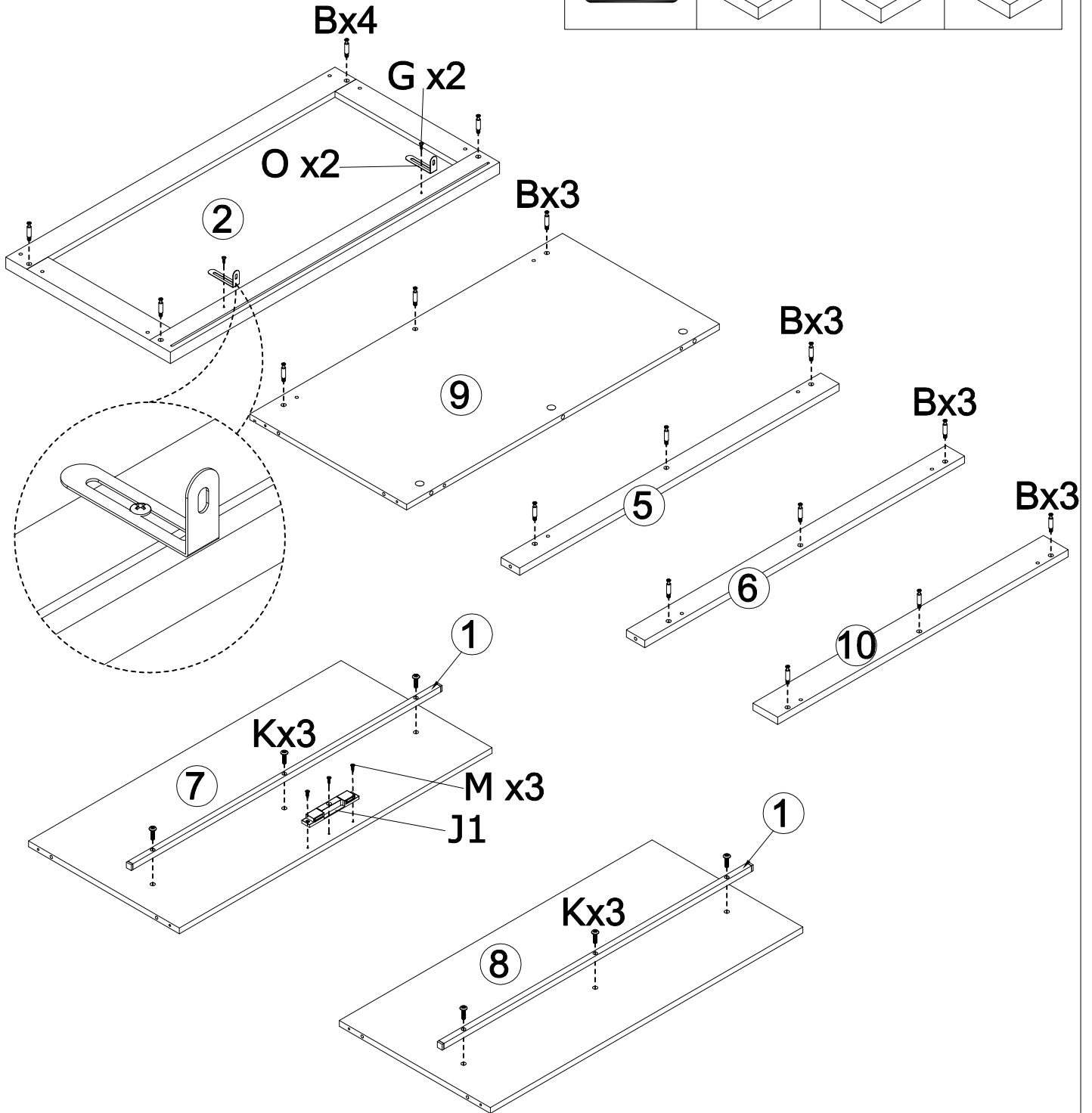
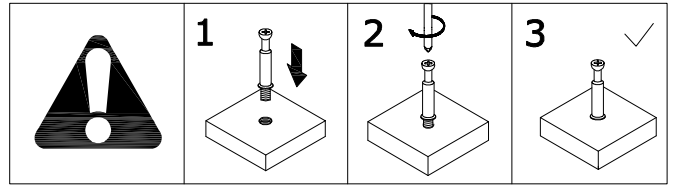


When installing, please carefully confirm whether each screw corresponds to the manual, accessories with similar shapes can be distinguished by size


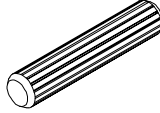
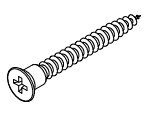
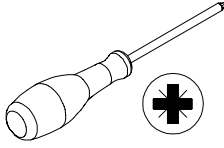
<p>A x 16+1</p> <p>Ø15 x 9.5 mm</p>	<p>B x 16+1</p>	<p>C x 34+2</p>	<p>D x 26+2</p> <p>Ø6 x 30 mm</p>	
<p>E x 18+1</p> <p>Ø5 x 44 mm</p>	<p>F x 4</p>	<p>G x 26+2</p> <p>Ø3.5 x 12</p>	<p>H x 2</p>	
<p>I x 4+1</p> <p>Ø3 x 12</p>	<p>J</p> <p>J 1x1 J 2x2</p>	<p>K x 6+1</p> <p>Ø6 x 20</p>	<p>L x 8+1</p>	
<p>M x 11+1</p> <p>Ø3 x 16</p>	<p>N</p> <p>N1 x 2 N2 x 2 N3 x 2</p>	<p>O x 2</p>		
<p>P</p> <p>P1 x 1 P2 x 1 P4 x 2 P5 x 2</p>				<p>Fig. 1 —OR— Fig. 2</p>


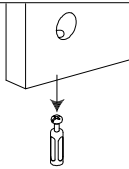
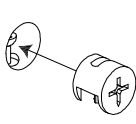
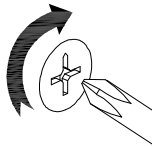
1

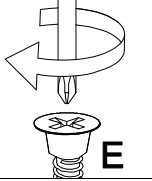
B x 16 	G x 2  Ø3.5 x 12	J x 1  J1	K x 6  Ø6 x 20	M x 3  Ø3 x 16	O x 2 	
--	--	---	--	---	---	---



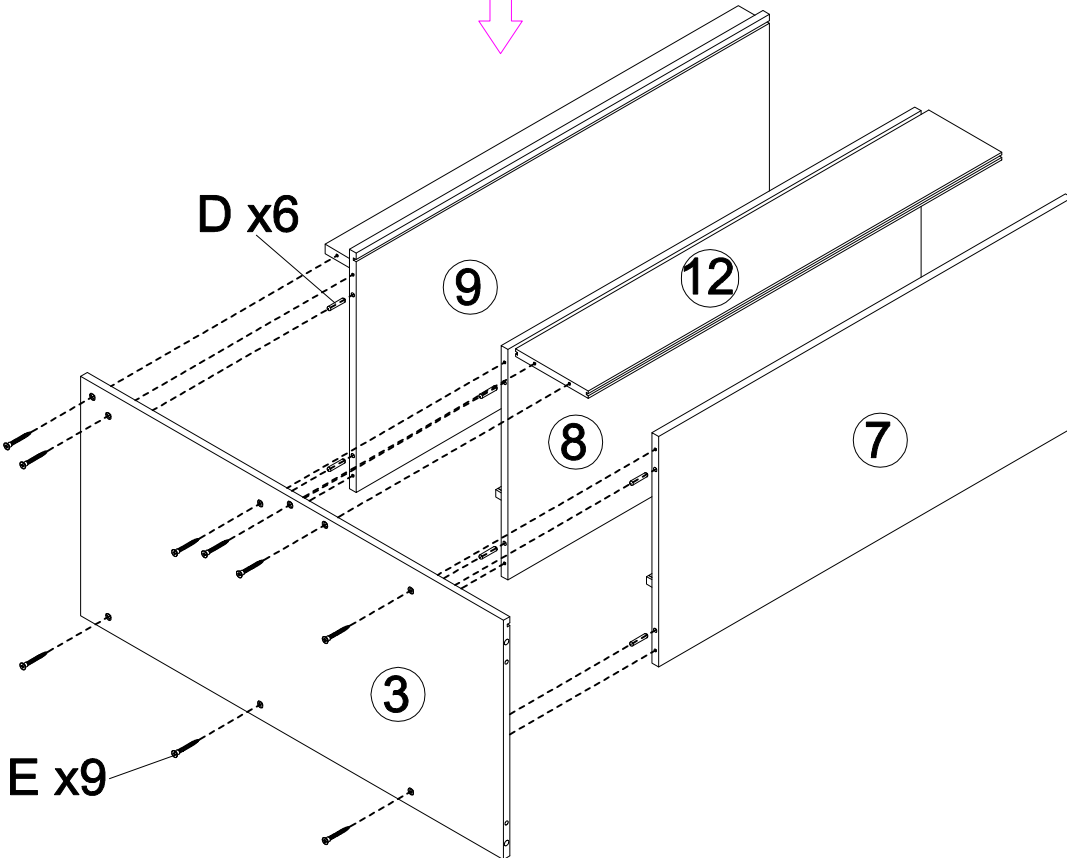
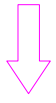
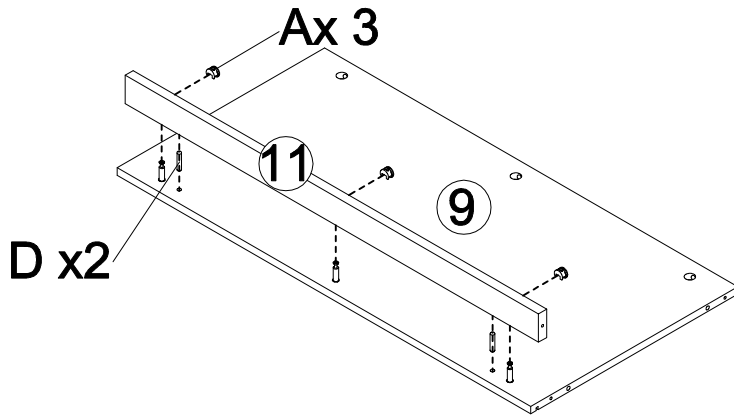
2

A x 3  Ø15 x 9.5 mm	D x 8  Ø6 x 30 mm	E x 9  Ø5 x 44 mm	 +
---	---	---	--

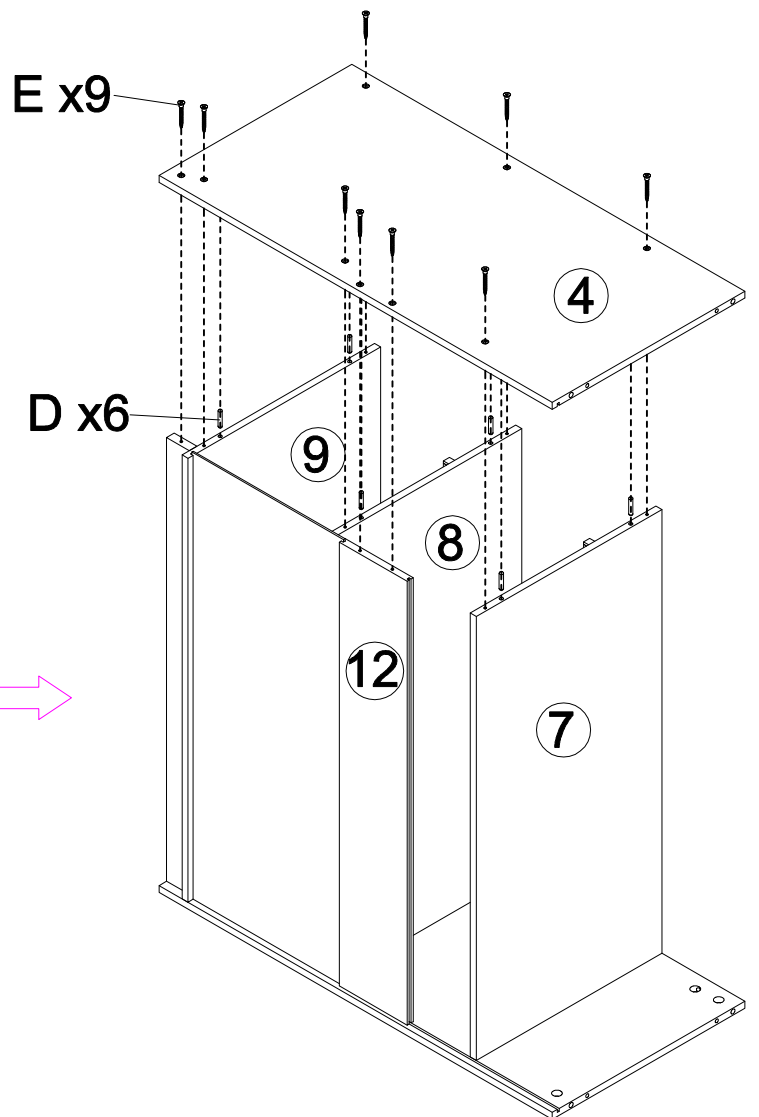
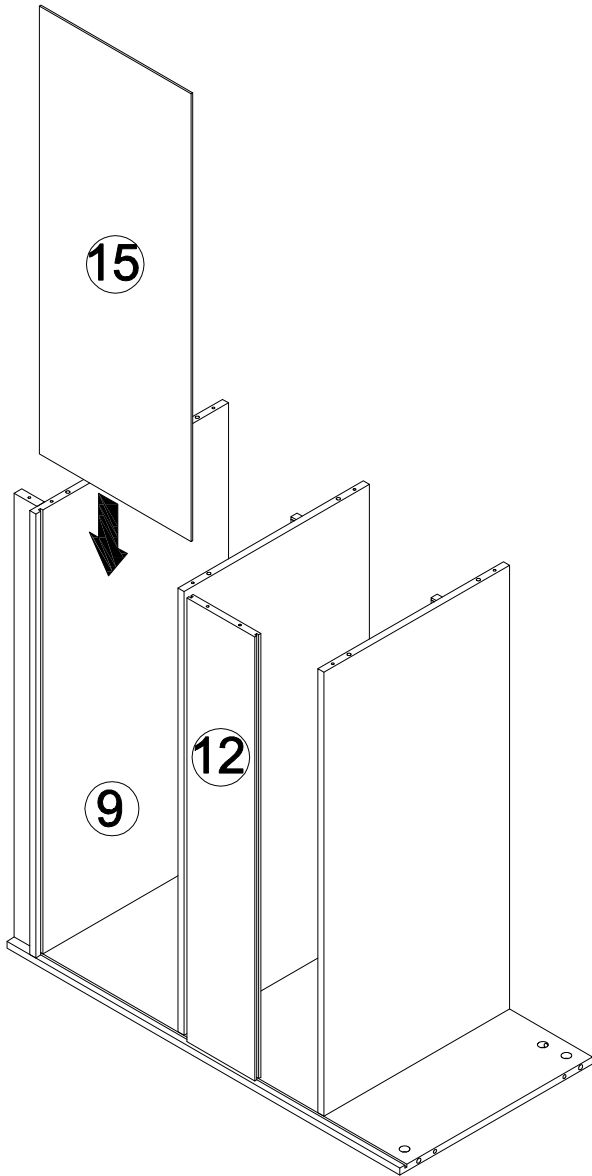
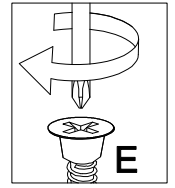
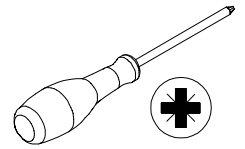
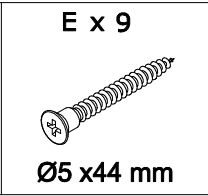
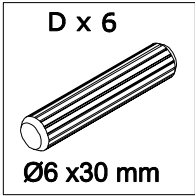
			
---	---	---	---




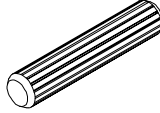
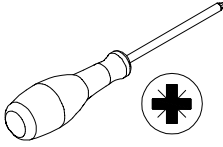
E


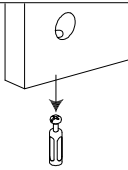
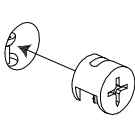
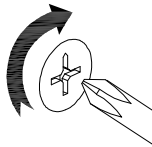


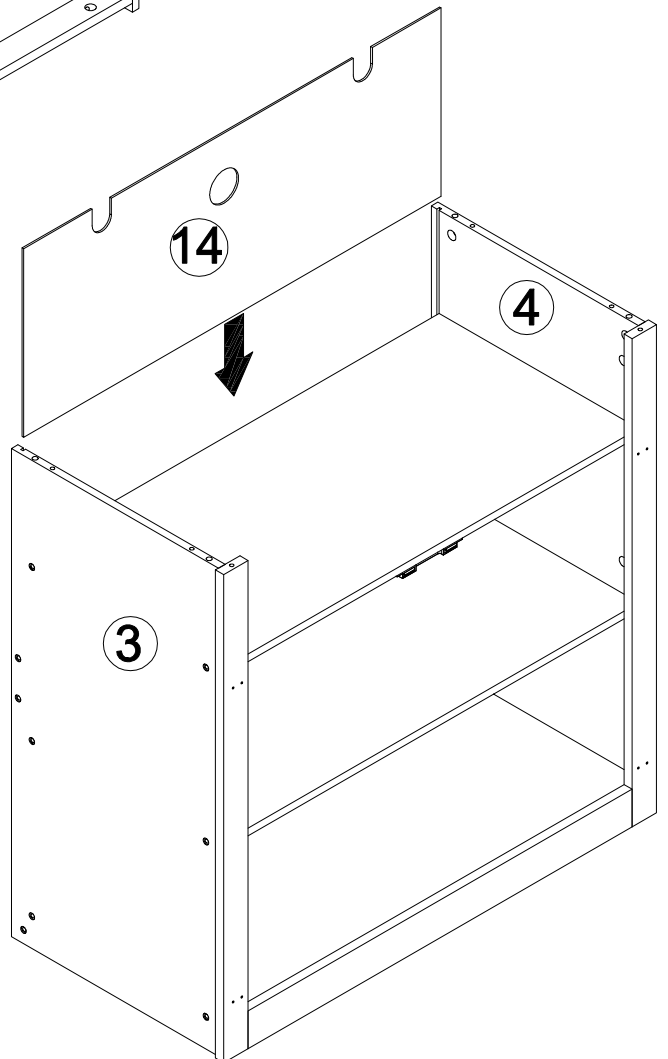
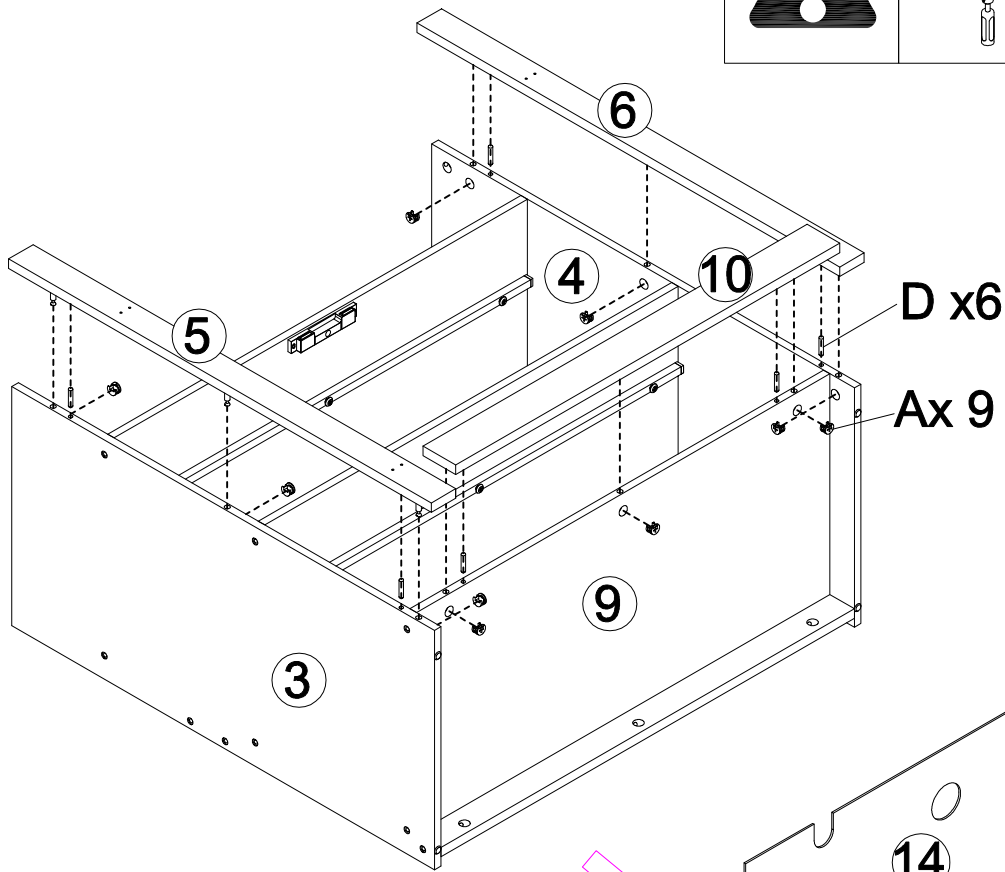
3



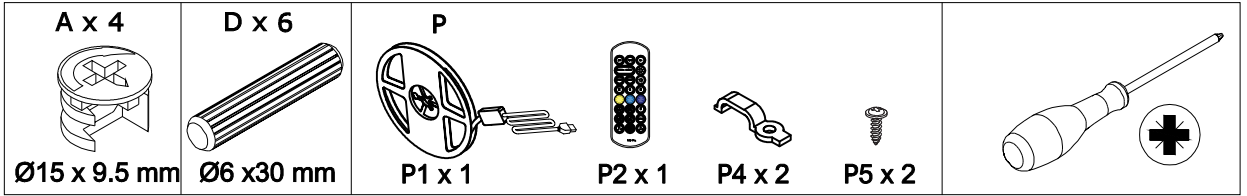
4

<p>A x 9</p>  <p>Ø15 x 9.5 mm</p>	<p>D x 6</p>  <p>Ø6 x30 mm</p>	 
--	---	---

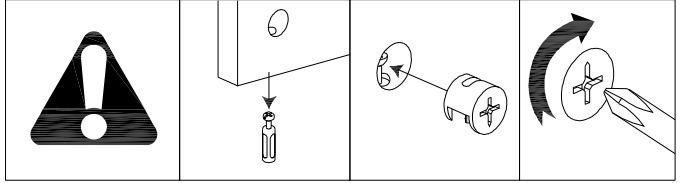
			
---	---	---	---



5

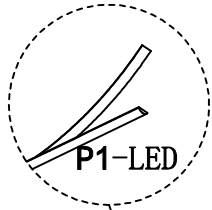


Attention

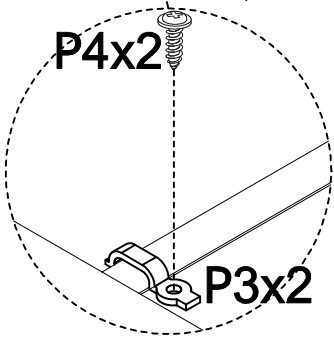
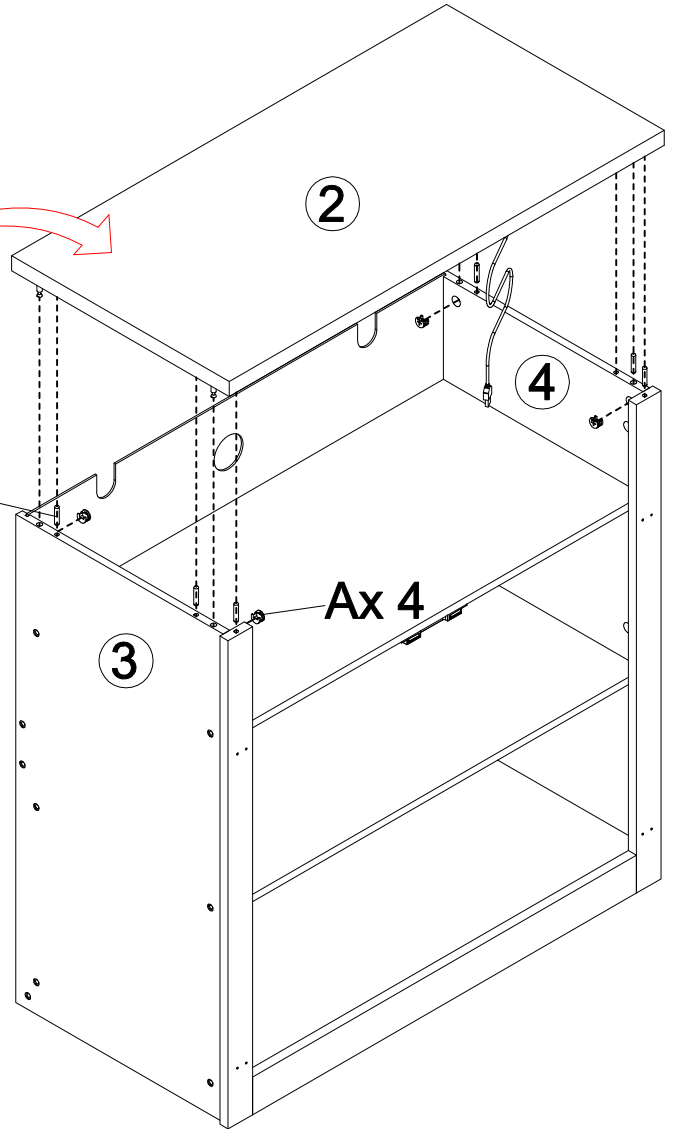
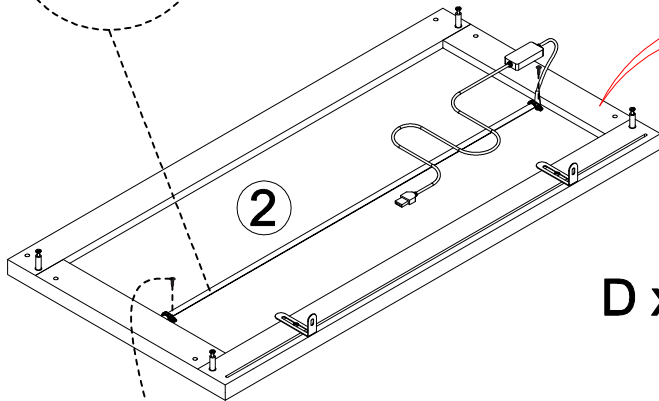


Please note when installing the lamp belt:

1. Clean the board 2 and before use.
 - 2, the lamp tape should pay attention to compaction.
 - 3, after the lamp tape is pasted, cut off the extra adhesive strip at the end, and let it stand for 10 minutes until the glue sticks firmly.
- Then proceed to the next step.



Stick the LED lights on the bottom of the board




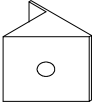

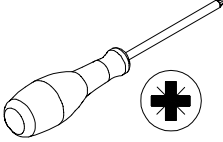

Attention

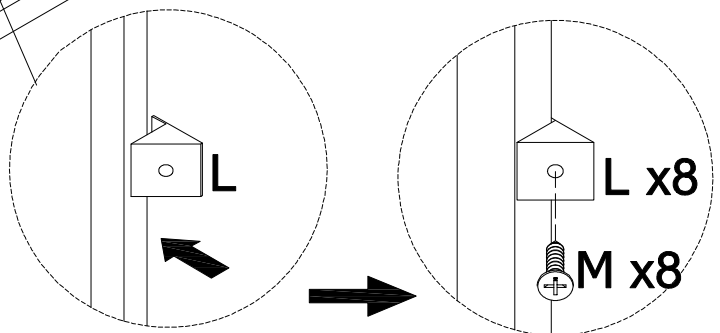
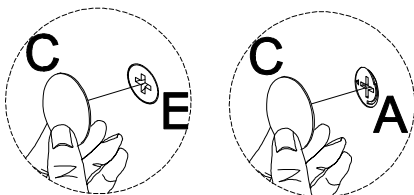
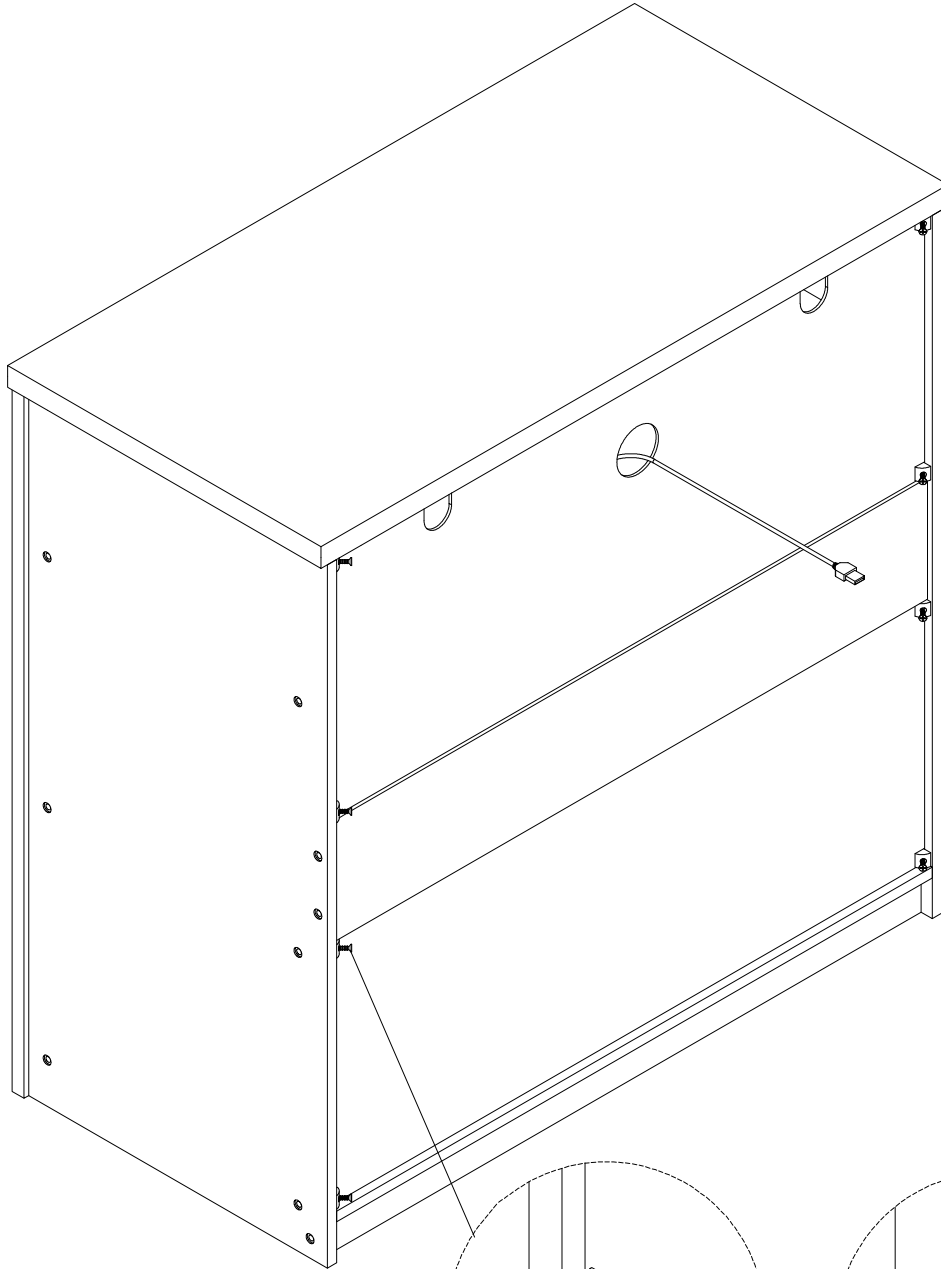


P2

Next to the QR code can be mobile phone remote control light belt, please give priority to use mobile phone control.

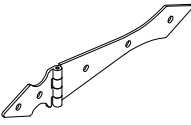
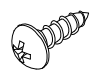
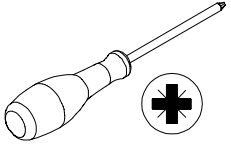
6

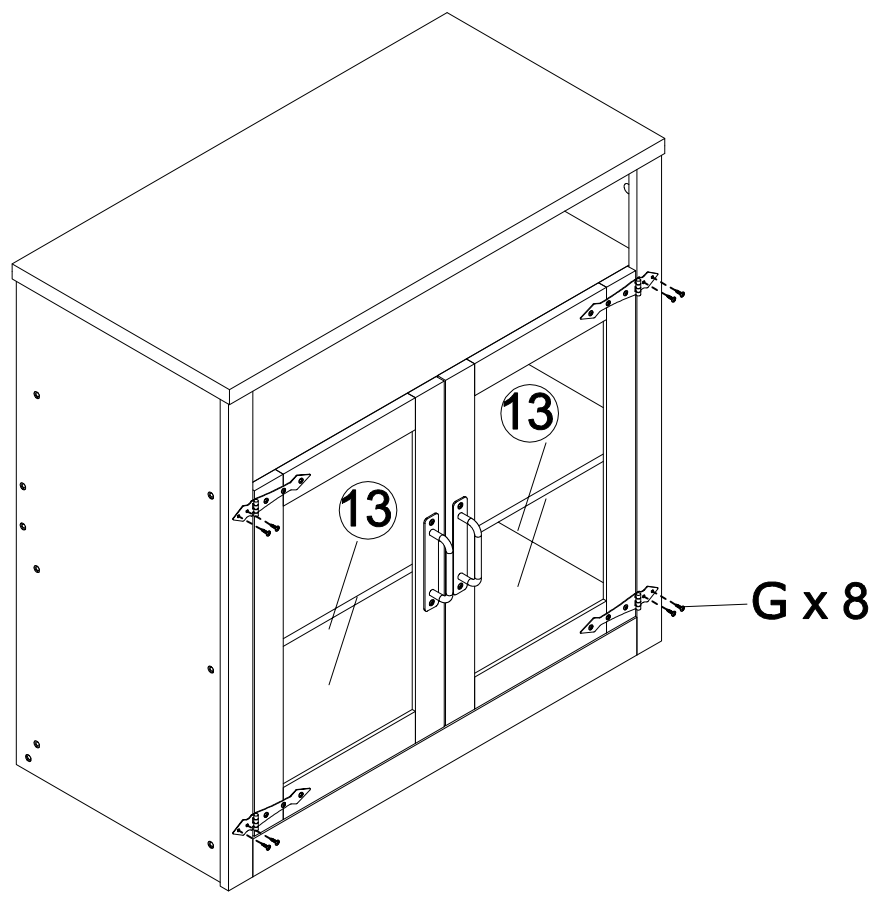
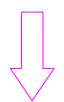
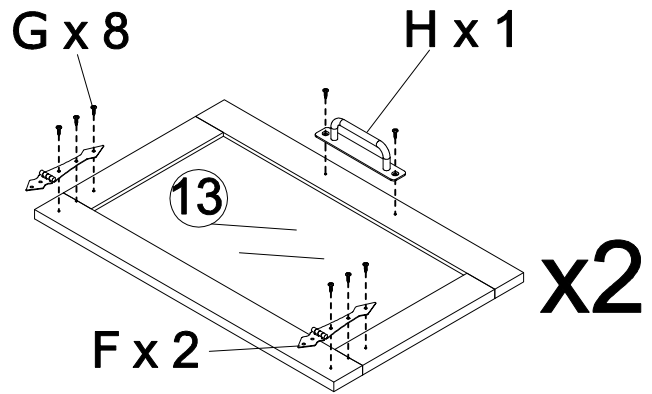
C x 34 	L x 8 	M x 8  Ø3 x 16	 
--	---	---	--






Tighten the three in one and apply the sticker (C) to the hole.

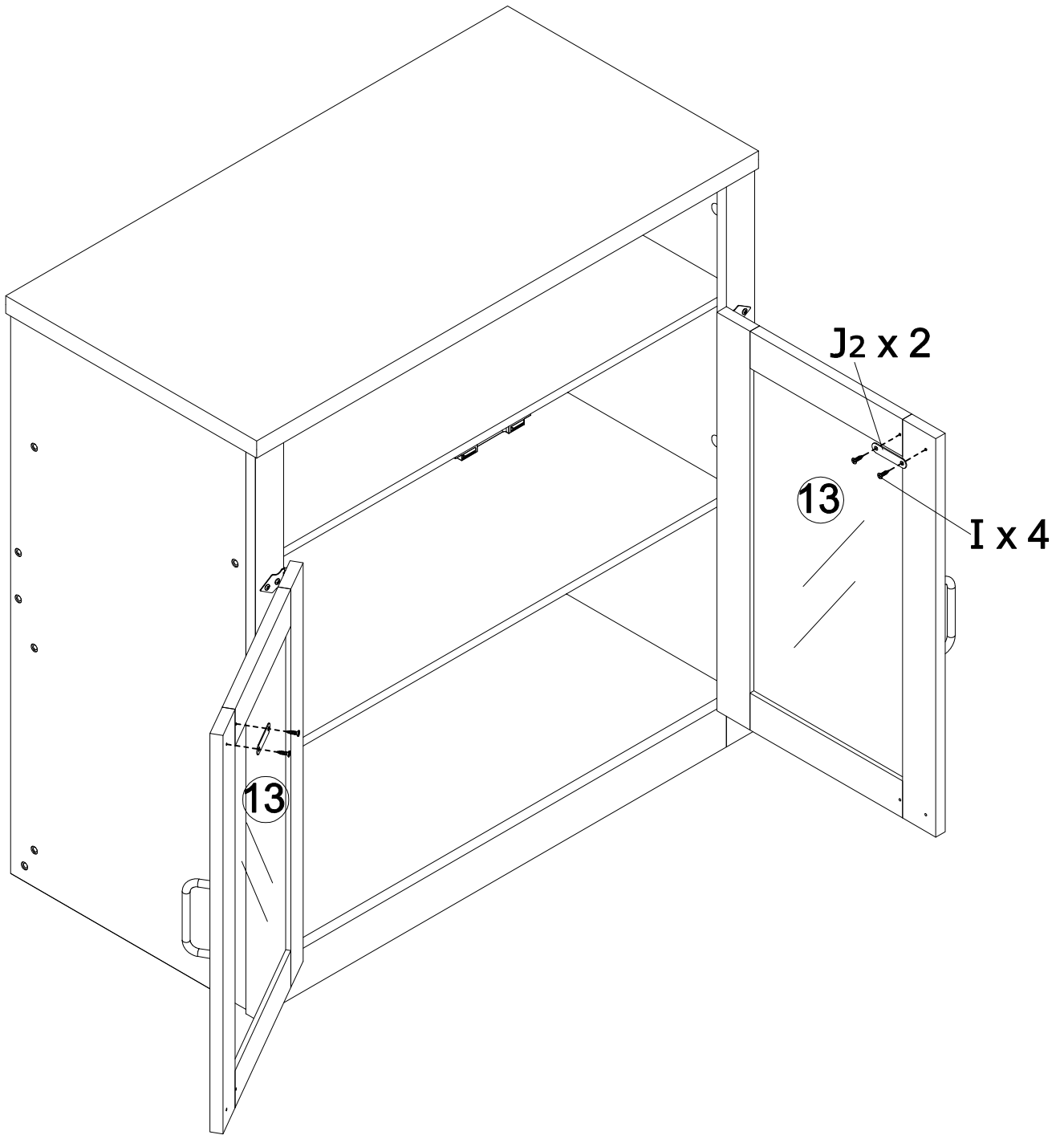
7

<p>F x 4</p> 	<p>G x 24</p> <p>Ø3.5 x 12</p> 	<p>H x 2</p> 	
--	--	--	---

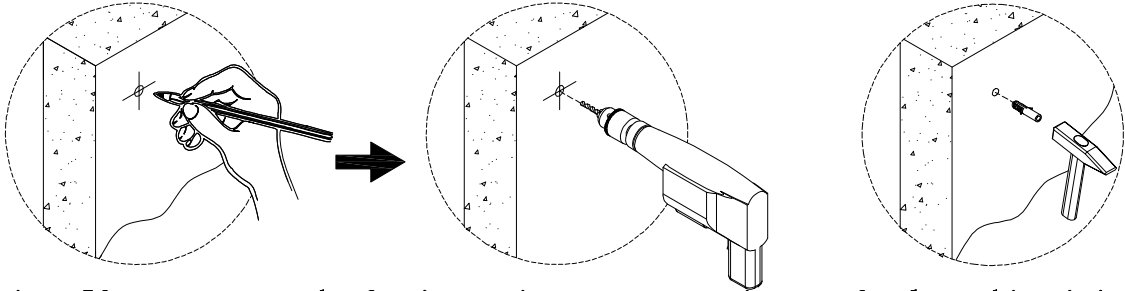


8

I x 4	J x 2	
		
Ø3 x 12	J2	

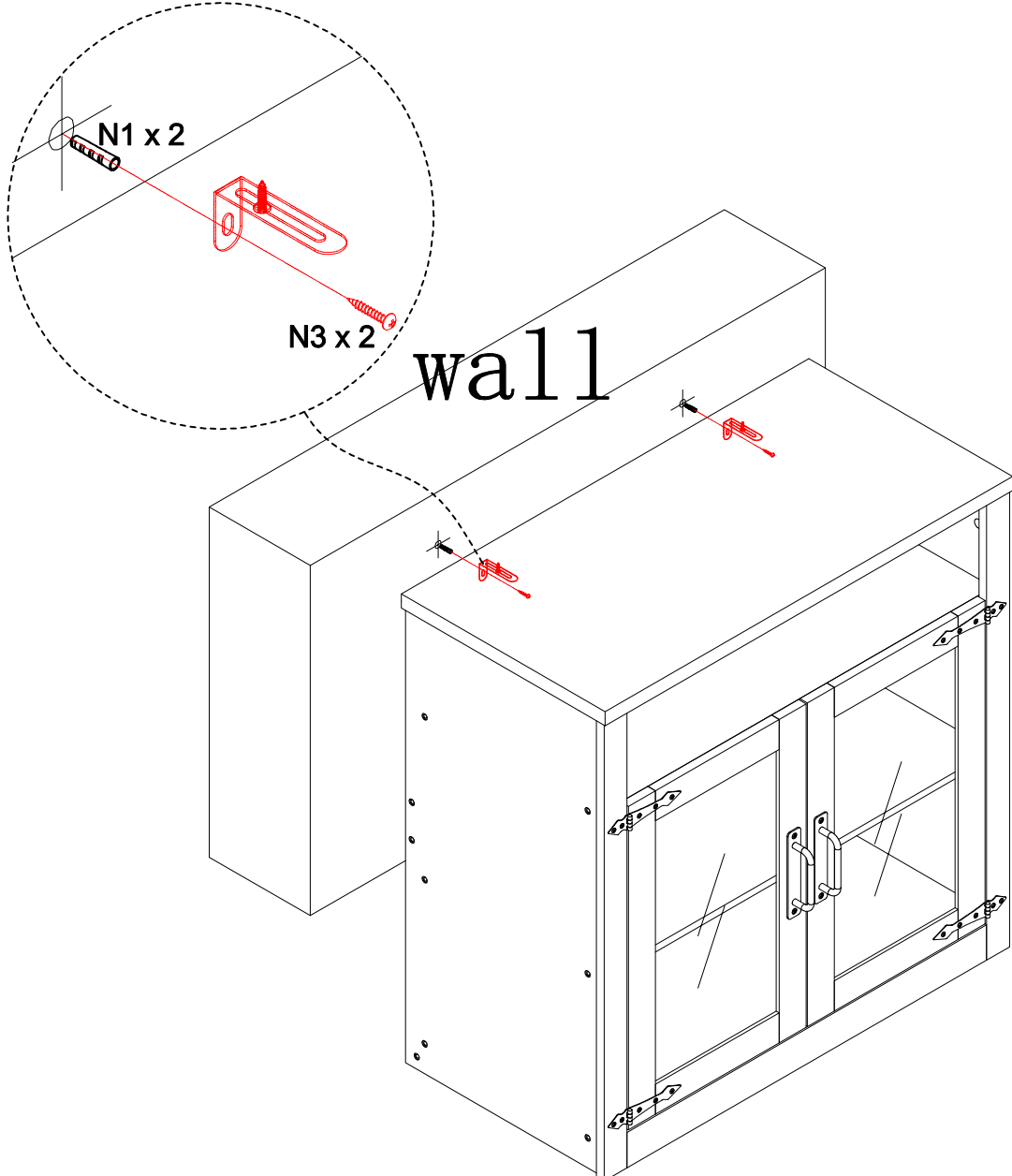


9

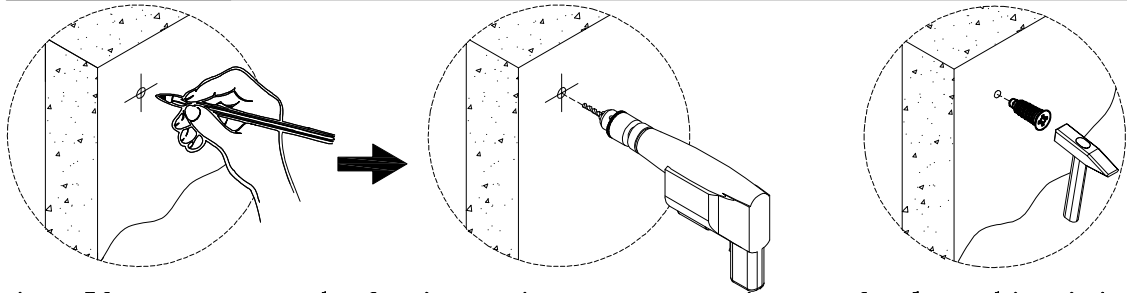


Warning: If you overturn the furniture, it may cause serious or fatal crushing injuries. We have a wall connection device attached, please use it to hold the furniture following these instructions.

1. Mark the corresponding hole positions where you want to place the furniture;
2. Use a impact drill to drill holes and pay attention to avoid wires and water pipes;
3. Knock the expansion pipes into the wall holes;
4. Place the furniture in the corresponding position and tighten the wall connection device with screws.

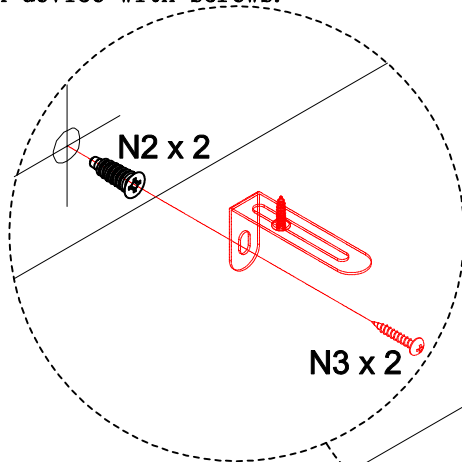


10



Warning: If you overturn the furniture, it may cause serious or fatal crushing injuries. We have a wall connection device attached, please use it to hold the furniture following these instructions.

1. Mark the corresponding hole positions where you want to place the furniture;
2. Use a impact drill to drill holes and pay attention to avoid wires and water pipes;
3. Knock the expansion pipes into the wall holes;
4. Place the furniture in the corresponding position and tighten the wall connection device with screws.



special
wall

