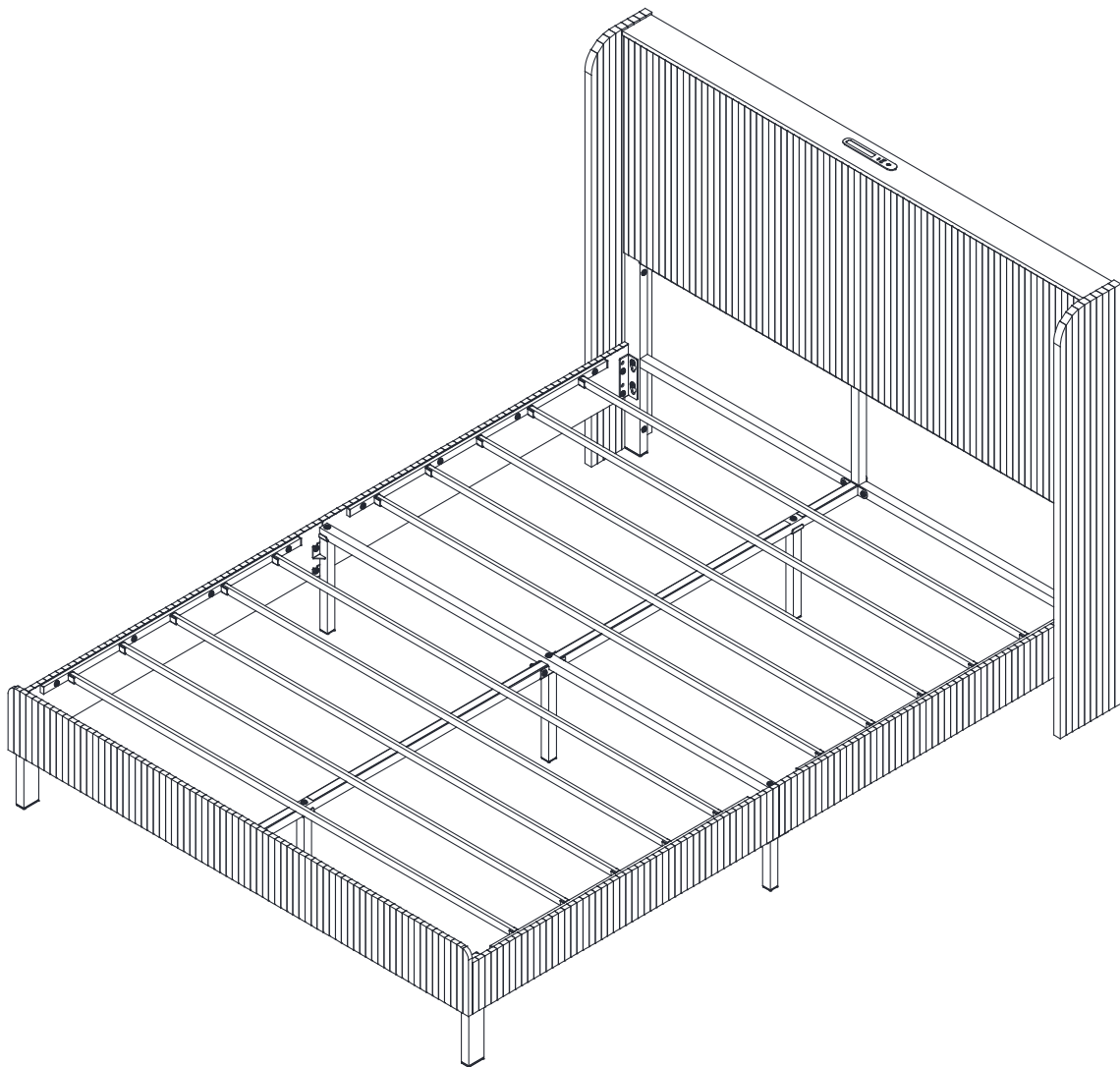
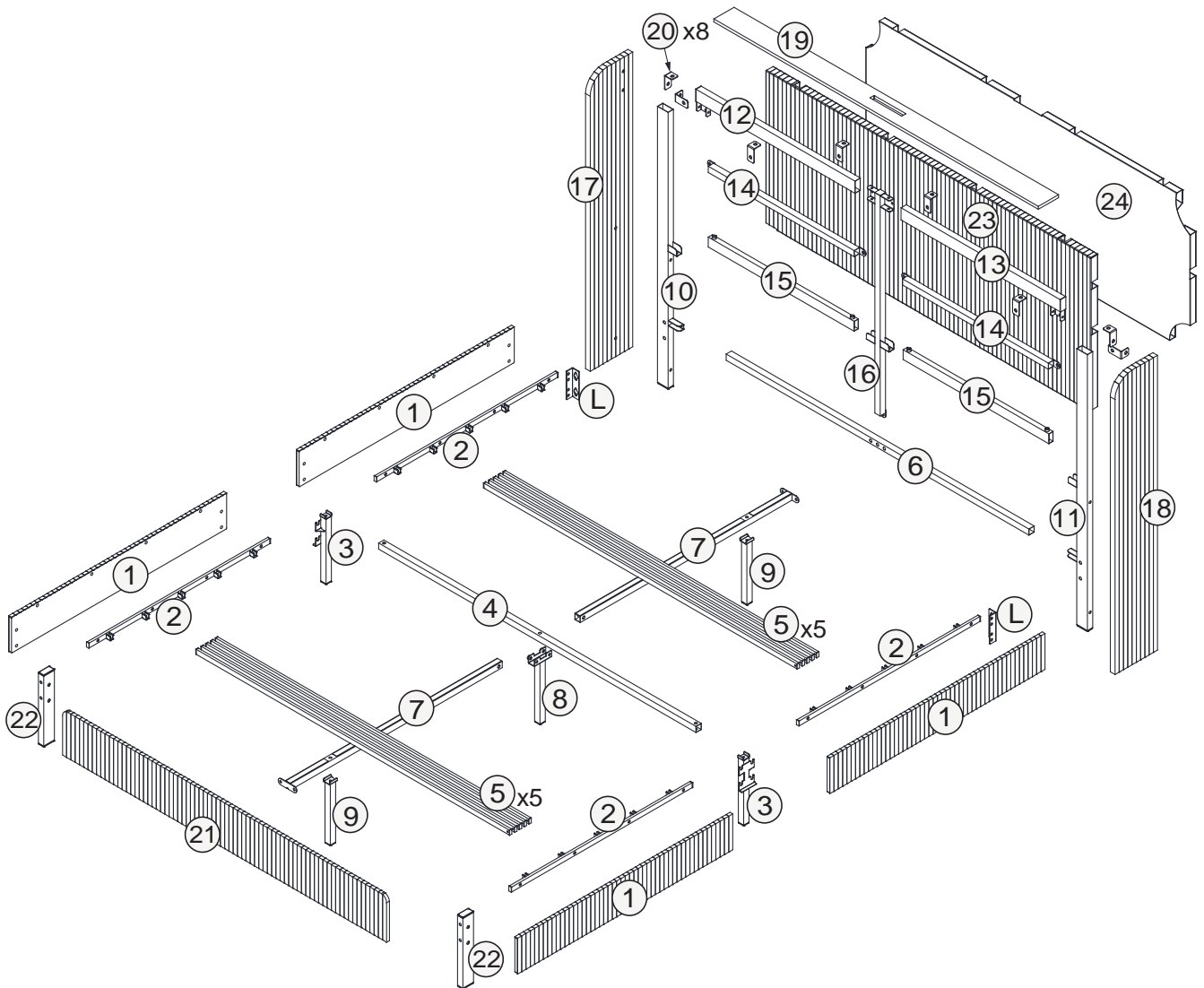


# BED FRAME



Thank you for choosing our products, please assemble and use it following the instructions.

# Assembly Instruction

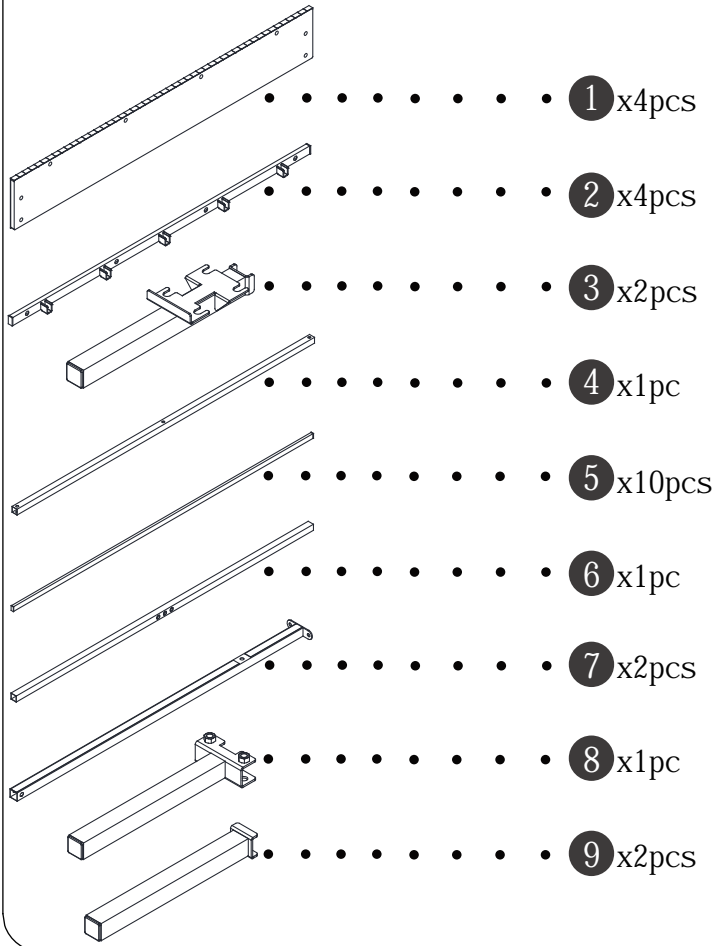


## Important Note

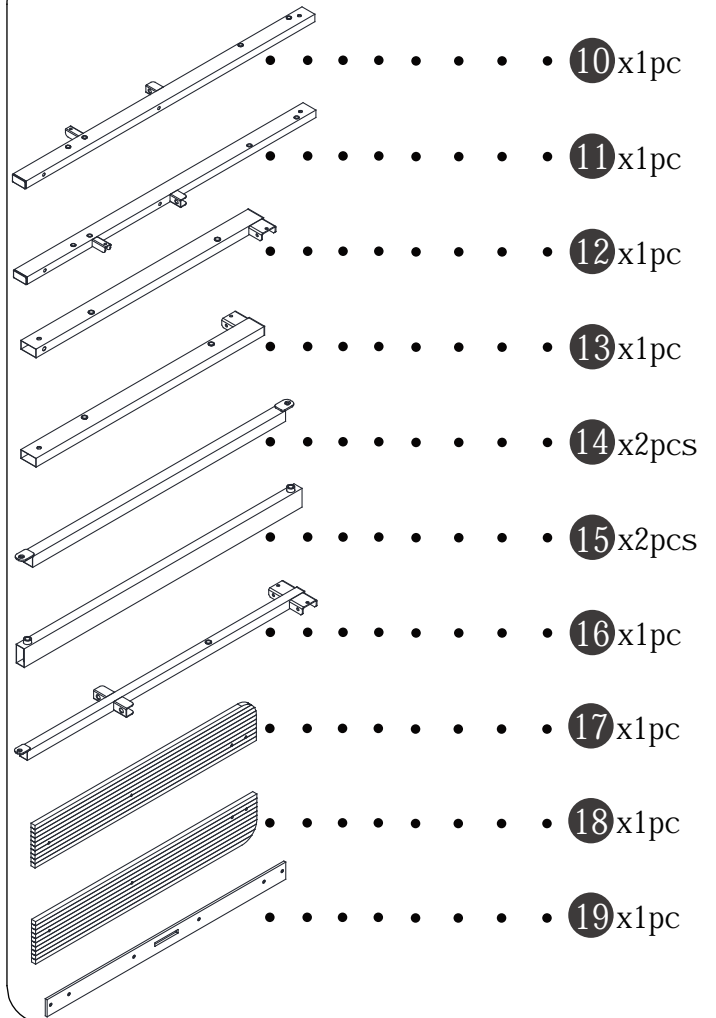
### HARDWARE NOTE :

1. Two or more people are required for assembly
2. Do not screw on the bolts too tight unless the installation is done. Make sure all bolts are tightly screwed before you use it.

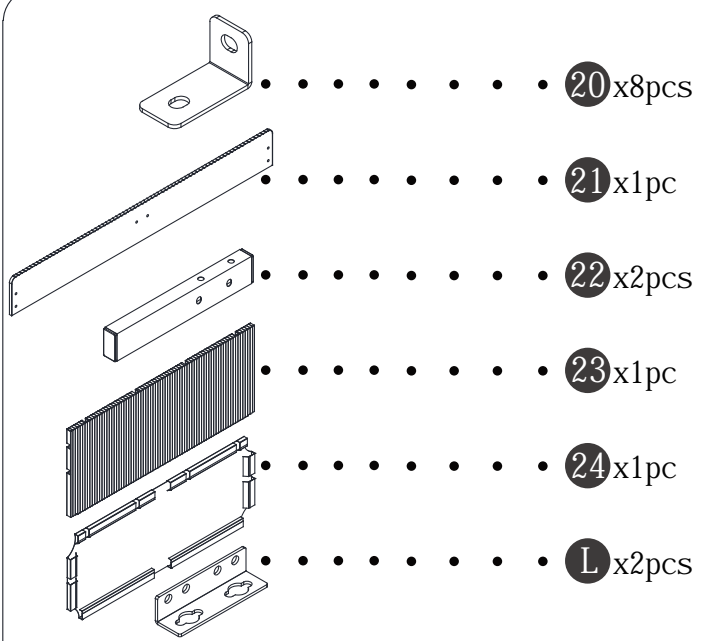
# Components



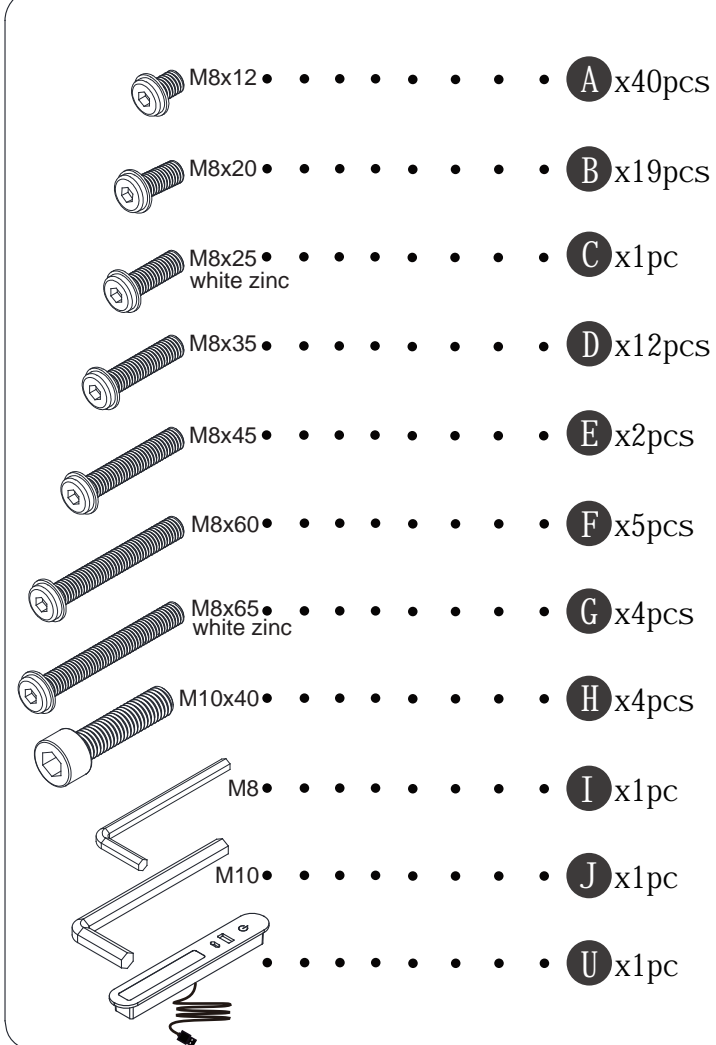
- 1 x4pcs
- 2 x4pcs
- 3 x2pcs
- 4 x1pc
- 5 x10pcs
- 6 x1pc
- 7 x2pcs
- 8 x1pc
- 9 x2pcs



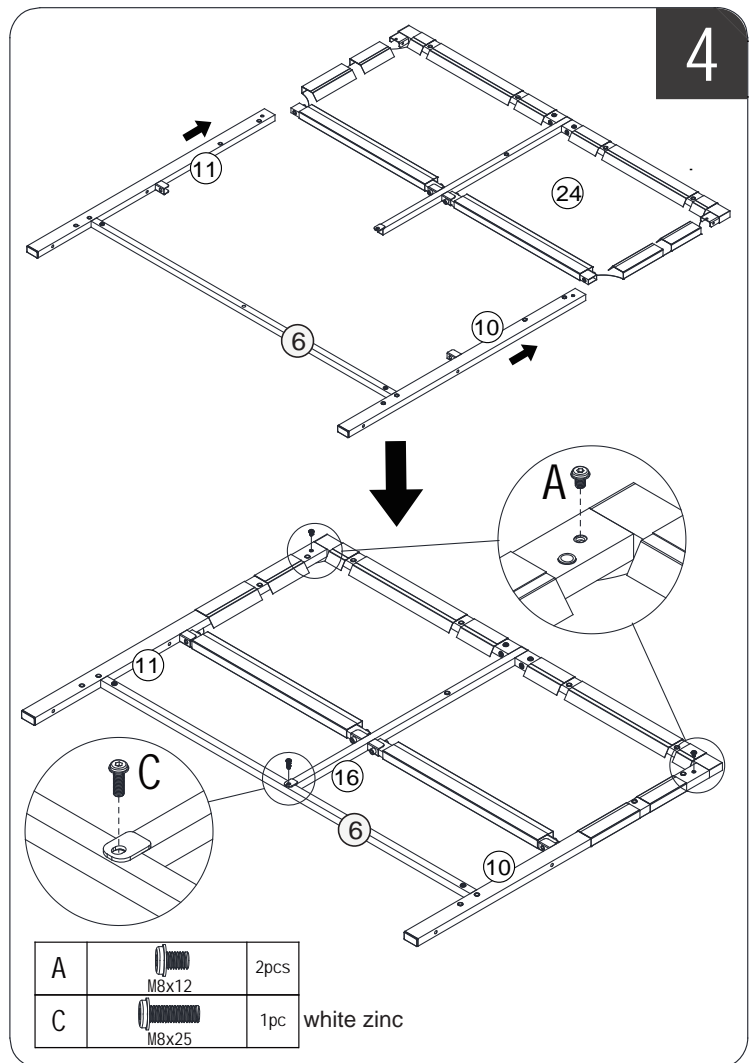
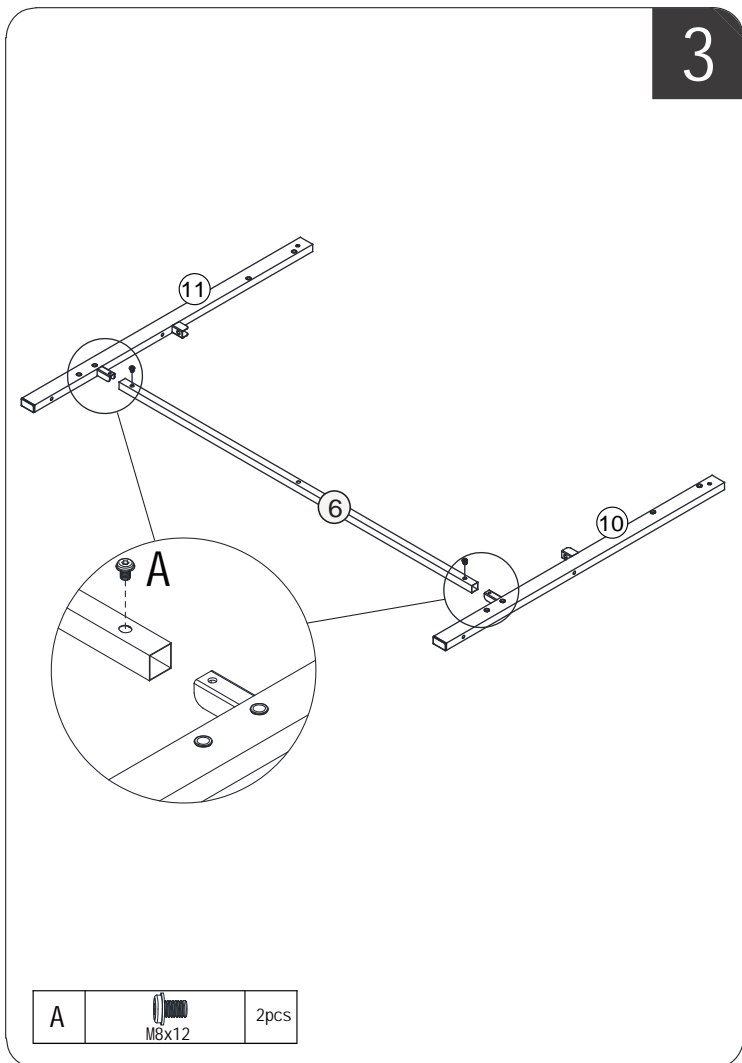
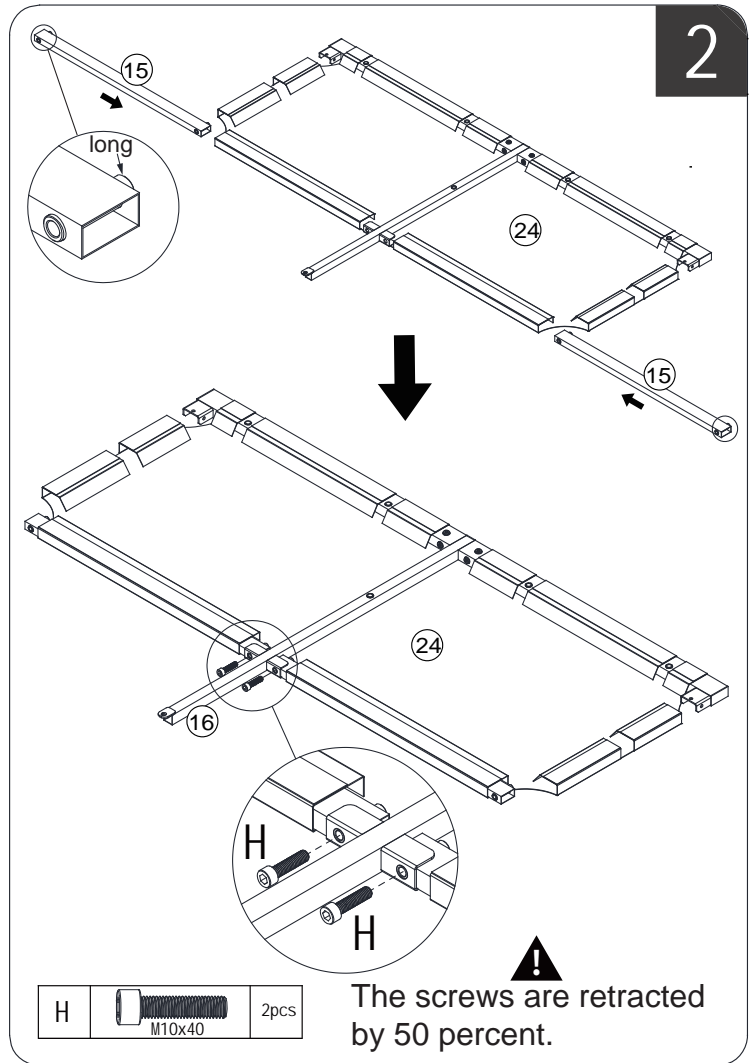
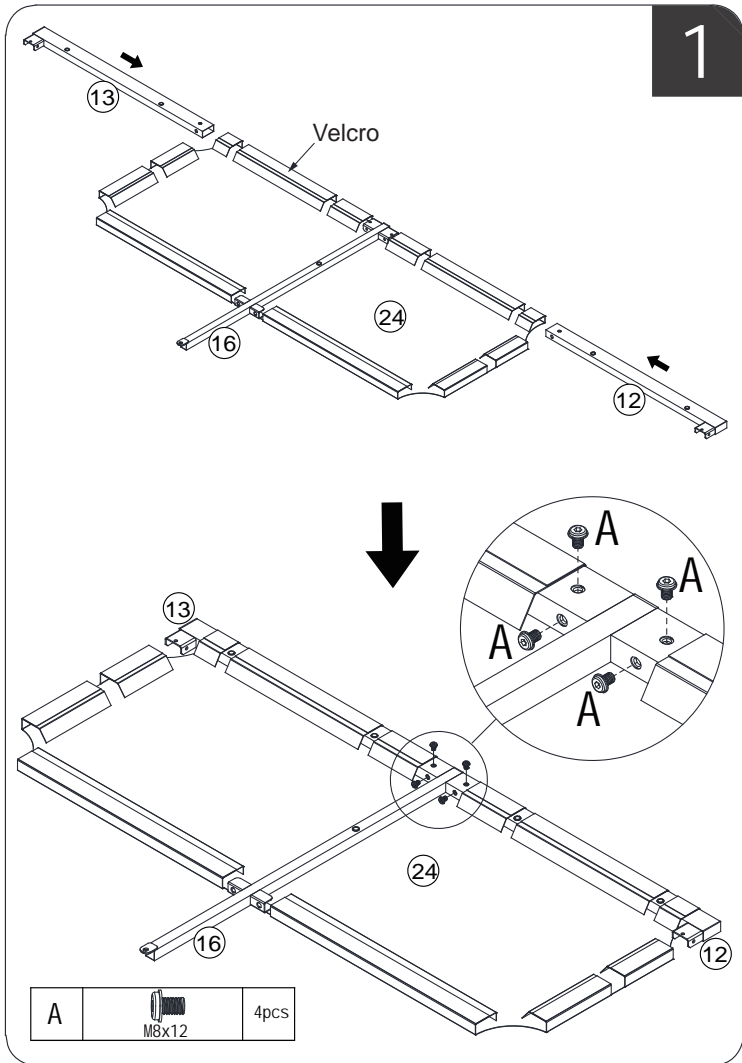
- 10 x1pc
- 11 x1pc
- 12 x1pc
- 13 x1pc
- 14 x2pcs
- 15 x2pcs
- 16 x1pc
- 17 x1pc
- 18 x1pc
- 19 x1pc



- 20 x8pcs
- 21 x1pc
- 22 x2pcs
- 23 x1pc
- 24 x1pc
- L x2pcs



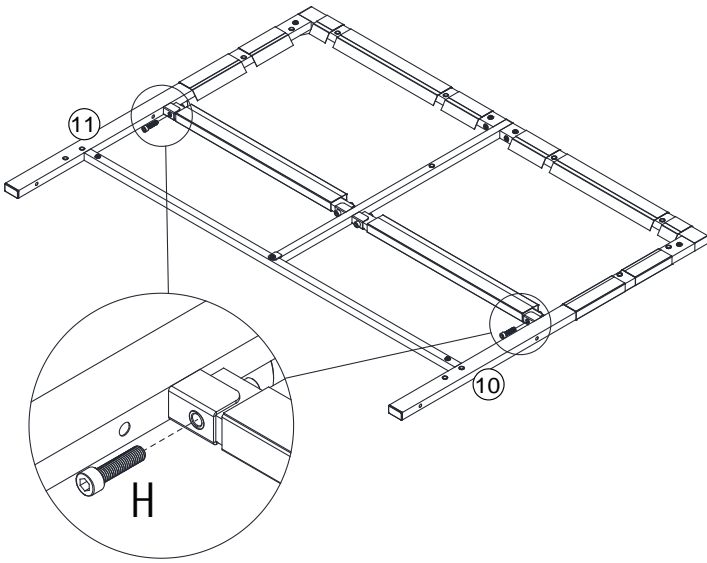
- A x40pcs
- B x19pcs
- C x1pc
- D x12pcs
- E x2pcs
- F x5pcs
- G x4pcs
- H x4pcs
- I x1pc
- J x1pc
- U x1pc



2

4

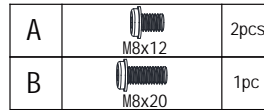
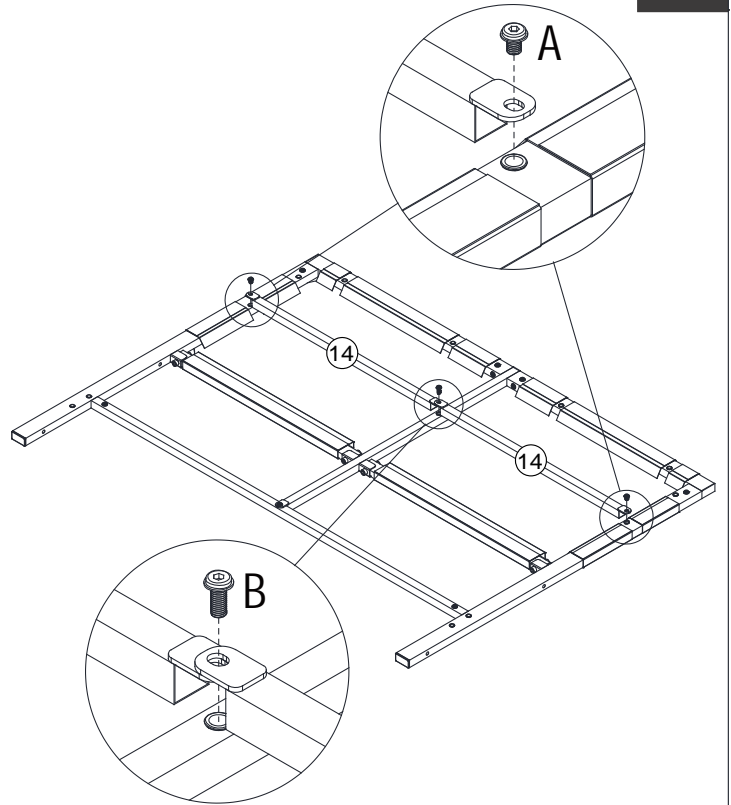
5



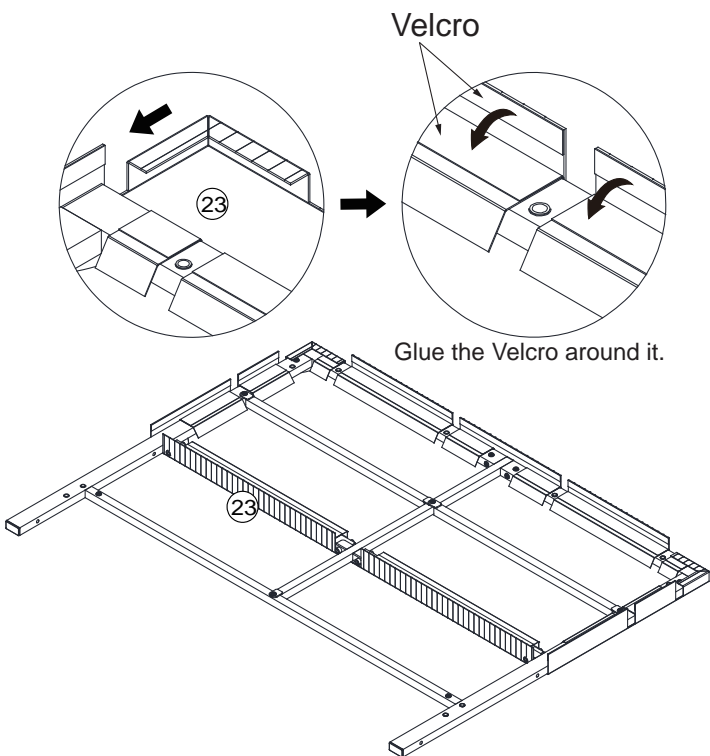
**!** Fully tighten all the screws.



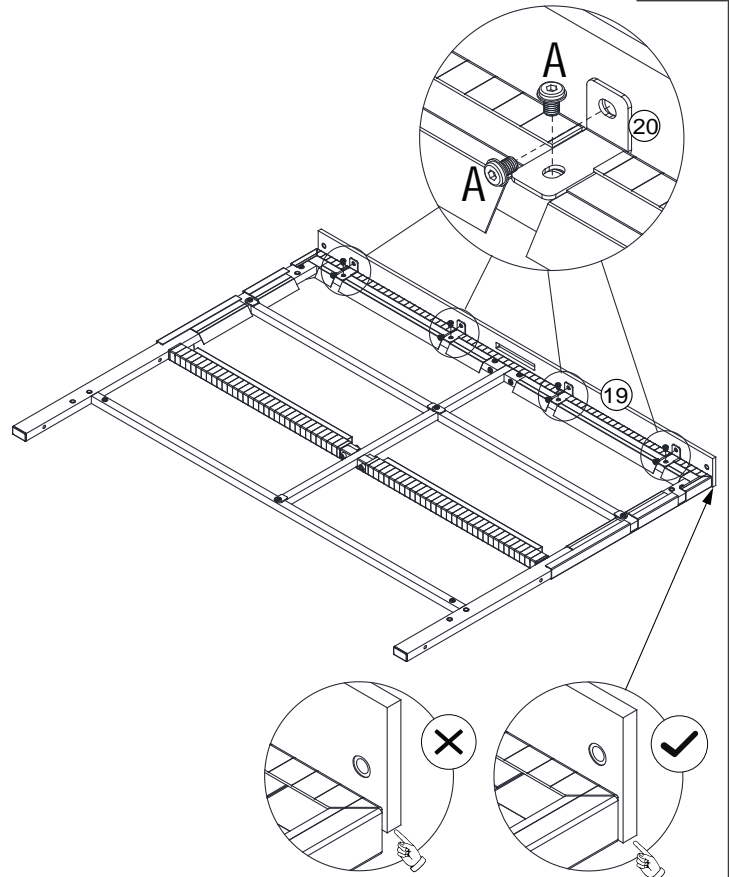
6



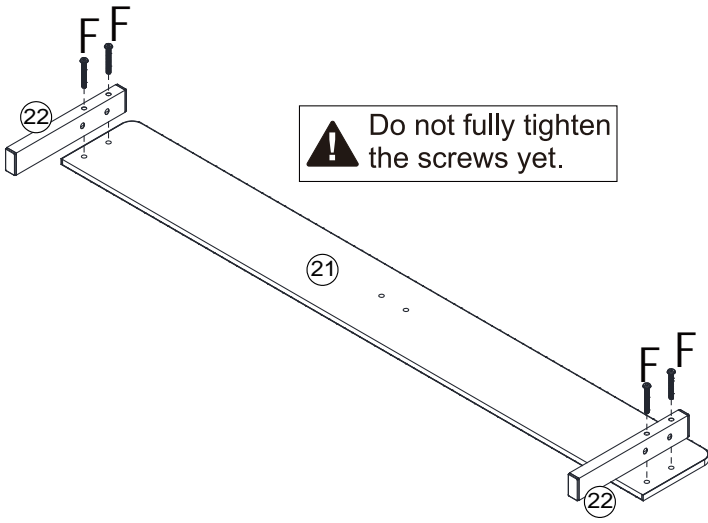
7



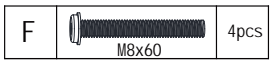
8



9

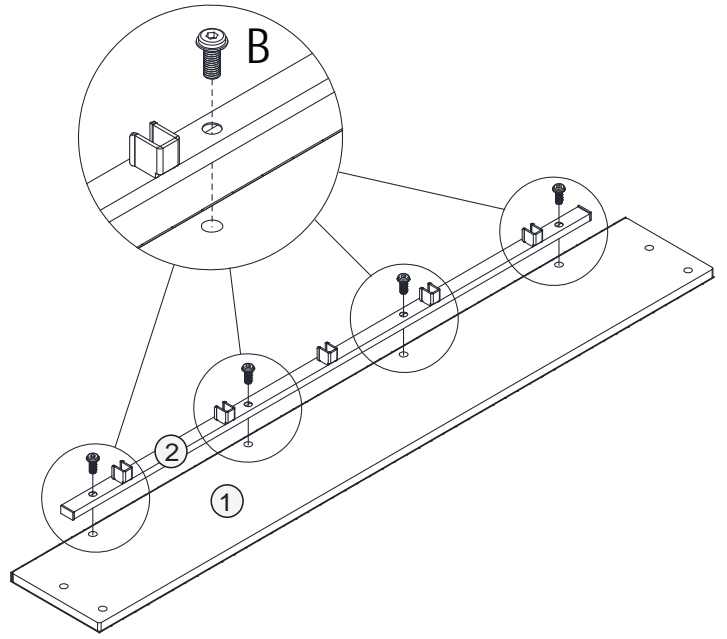


⚠ Do not fully tighten the screws yet.



10

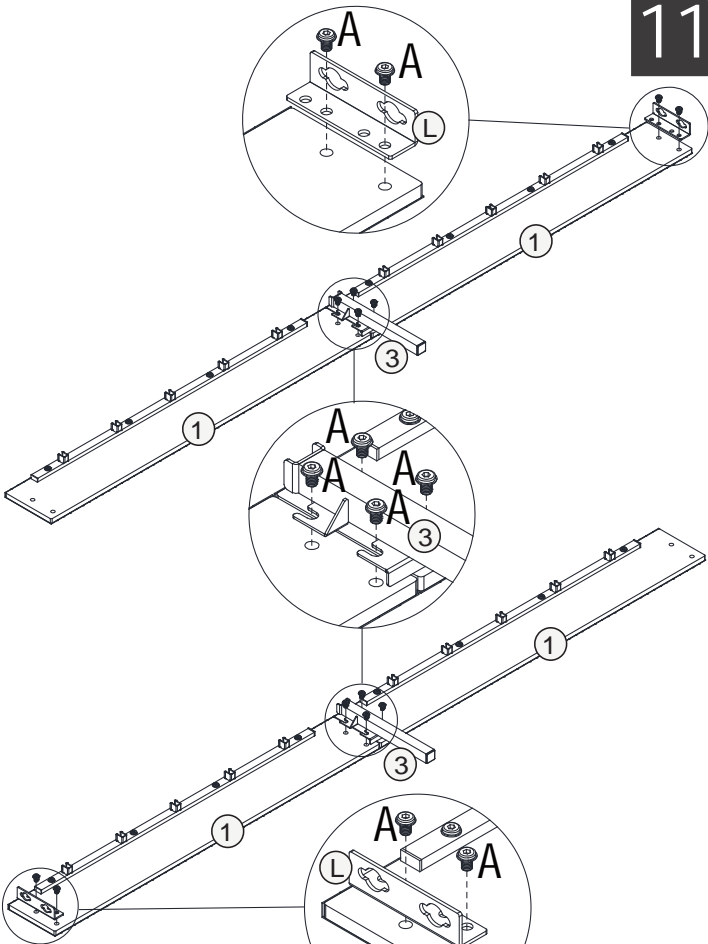
x4



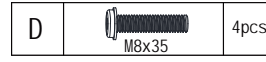
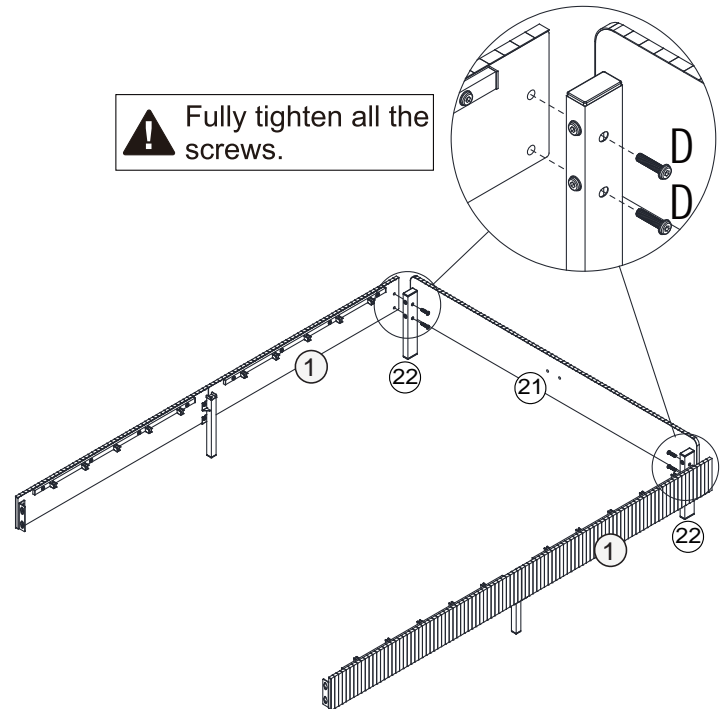
⚠ Fully tighten all the screws.



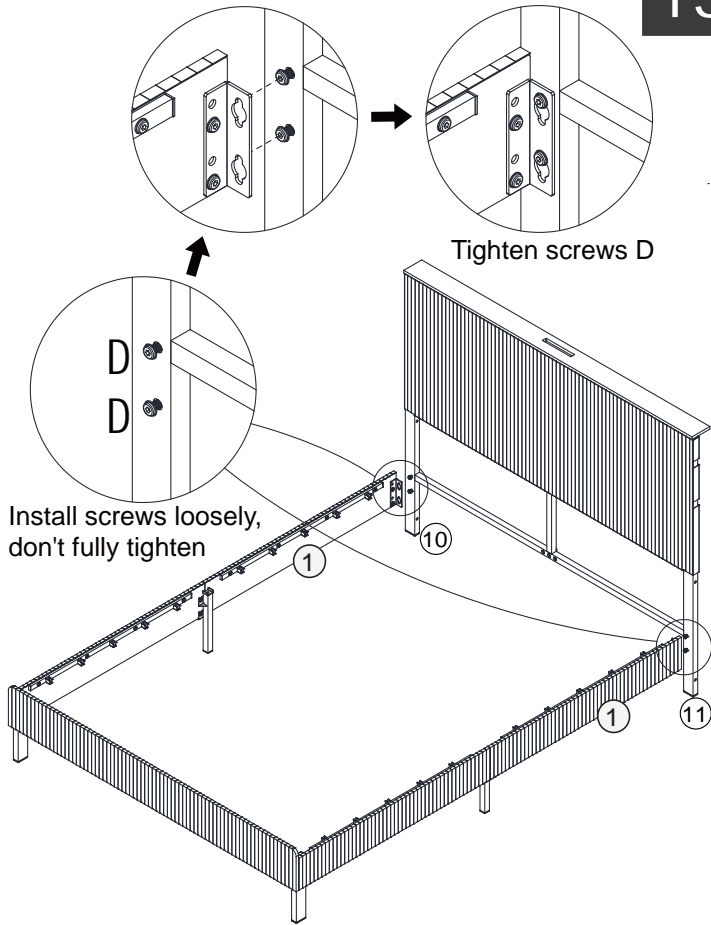
11



12




13

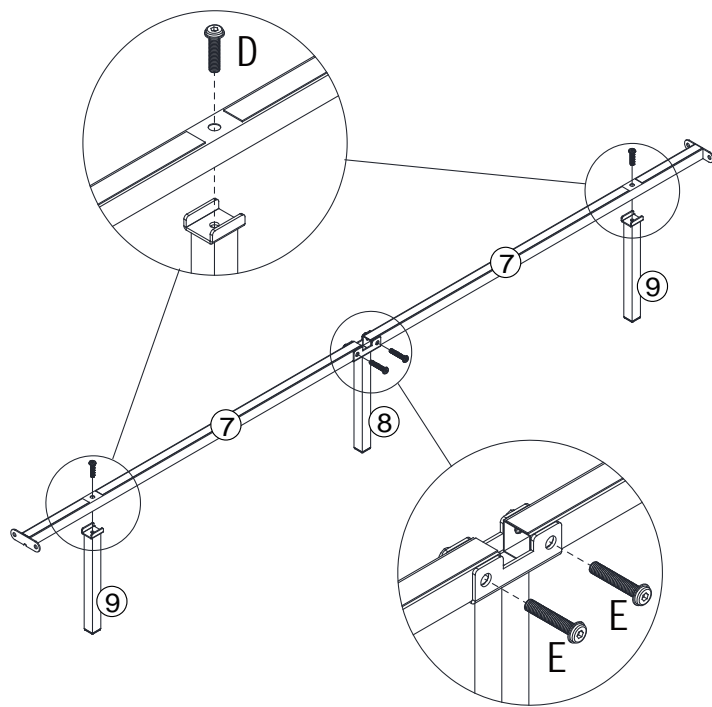


Tighten screws D



Install screws loosely,  
don't fully tighten

D		4pcs
	M8x35	

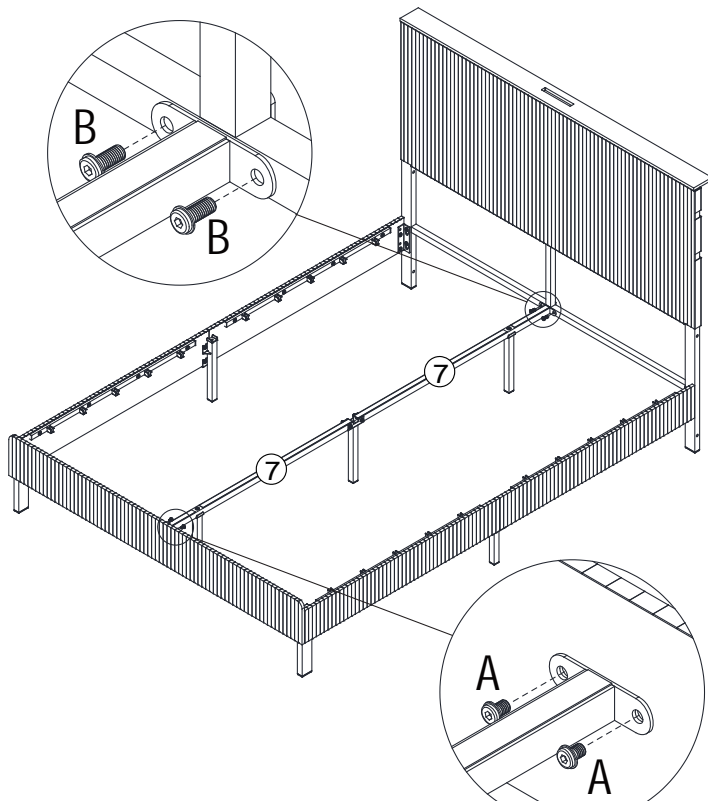
14





**!** Do not fully tighten  
the screws yet.

D		2pcs
	M8x35	
E		2pcs
	M8x45	

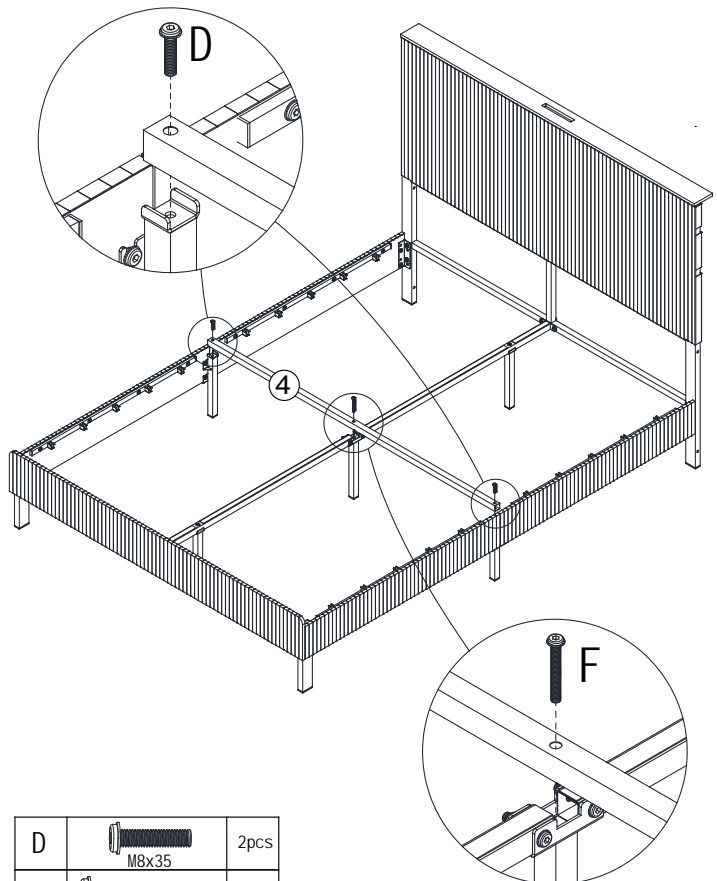
15





To assemble first

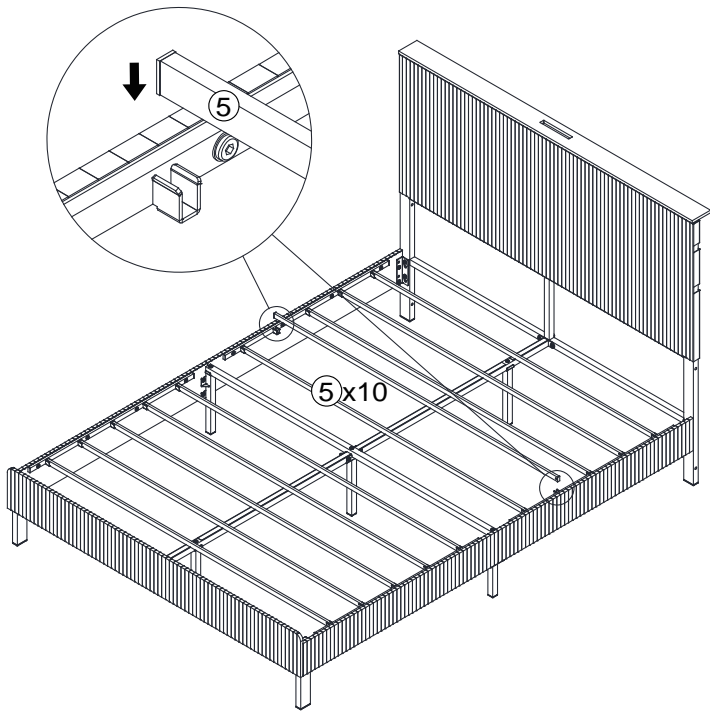
A		2pcs
	M8x12	
B		2pcs
	M8x20	

16

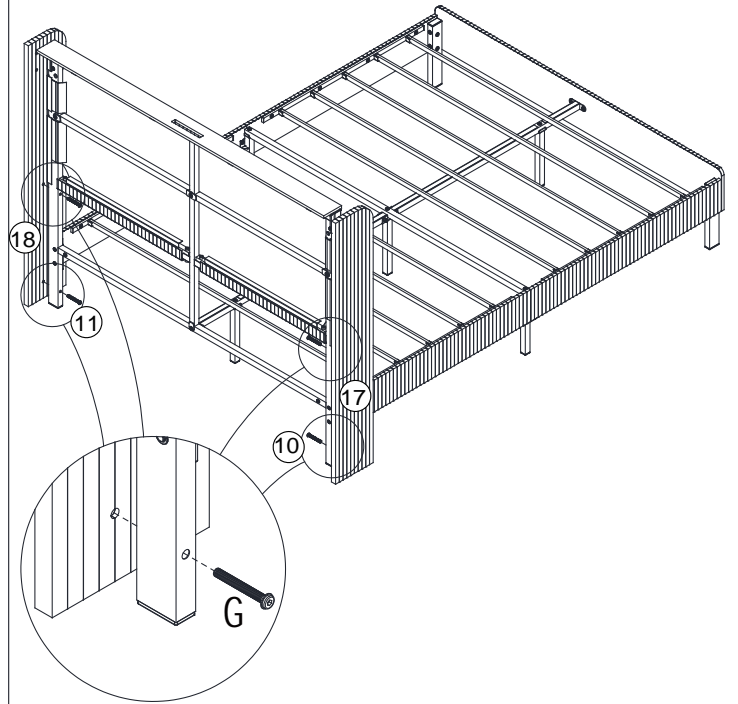



D		2pcs
	M8x35	
F		1pc
	M8x60	

17

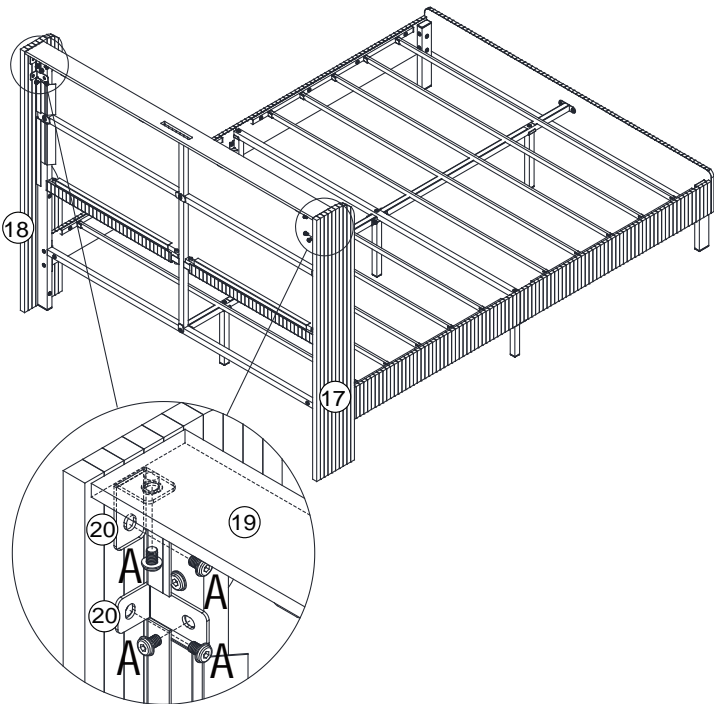


18



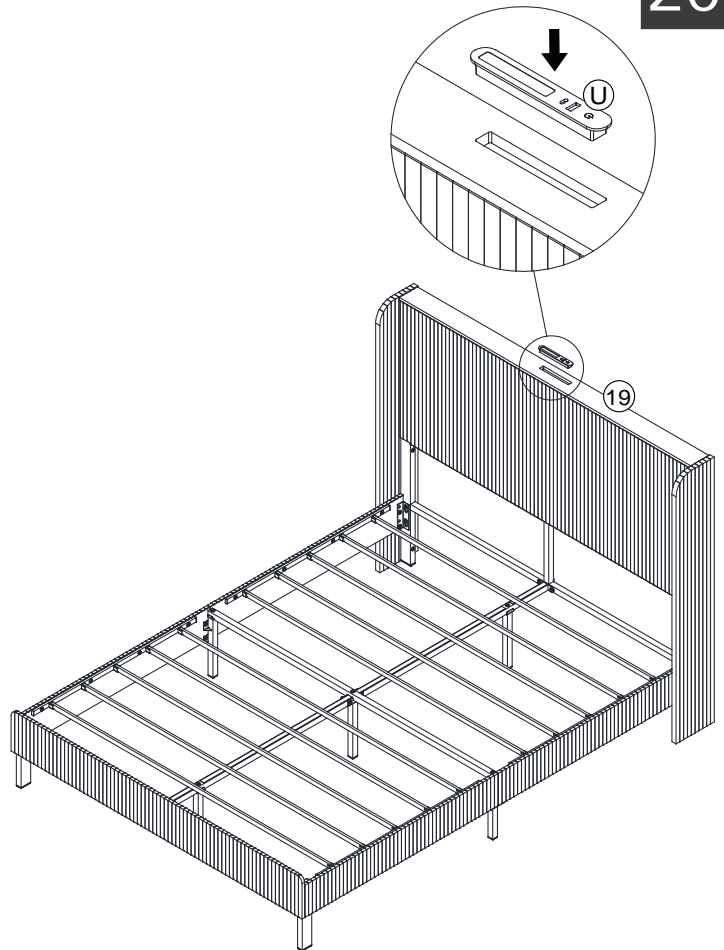
G		4pcs white zinc
	M8x65	

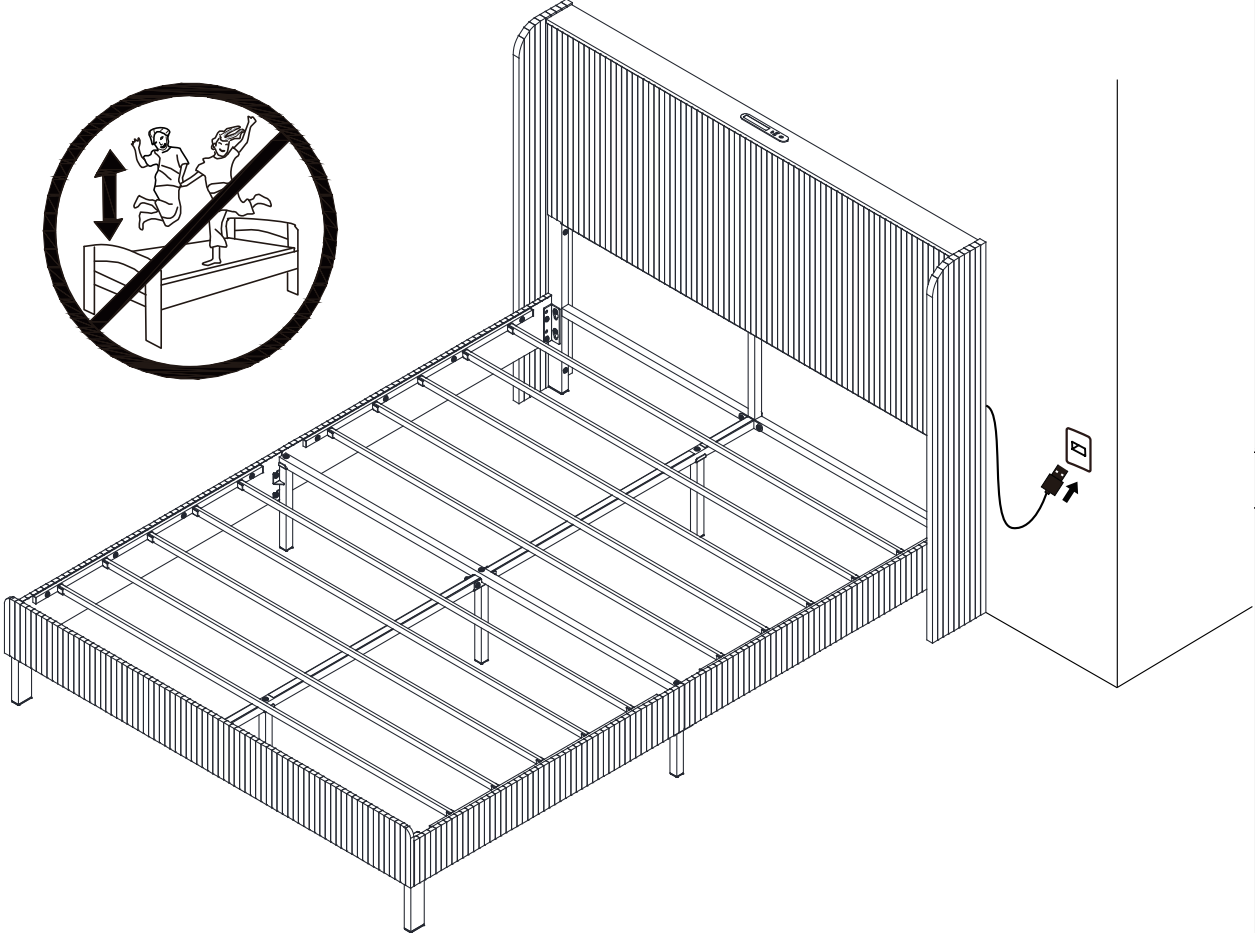
19



A		8pcs
	M8x12	

20





**Finish**