


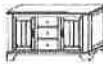



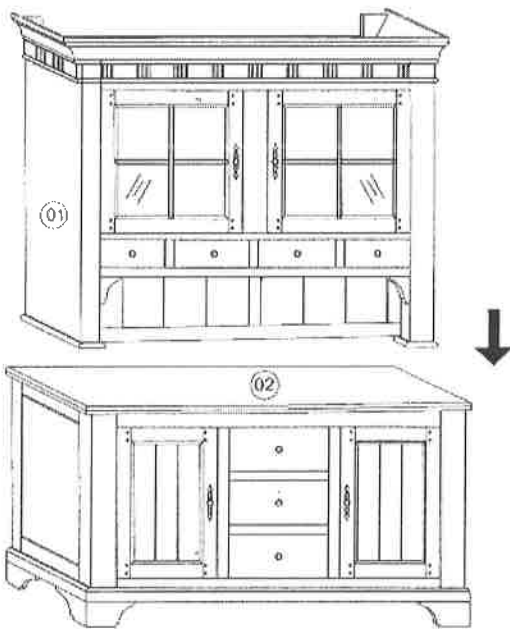
ASSEMBLY INSTRUCTION

DESCRIPTION : HUTCH & BUFFET

Thank You for purchasing this quality product. Be sure to check all packing material carefully for small parts which may have some loose inside the carton during shipment. Identify and count all parts and compare with the parts List Below.

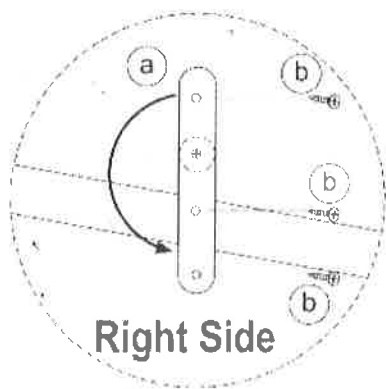
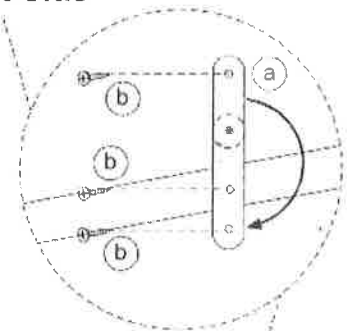
 <p>Assembly Completed !!</p>	List of Part For 1 Set			List of hardware For 1 Set				
	01		HUTCH	1	a		Metal Connector	2
	02		BUFFET	1	b		CSKCB Screw M4 x 20mm	6

Step 1



Step 2

Left Side



Right Side