

ASSEMBLY INSTRUCTION

Thank you for purchasing this quality product. Be sure to check all packing material carefully for small parts which may have come loose inside the carton during shipment. Separate, identify and count all parts and hardware. Compare with the parts list to be sure all parts are present.

IMPORTANT : PLEASE READ INSTRUCTION BEFORE STARTING THE ASSEMBLY.

"DO NOT TIGHTEN SCREWS UNTIL COMPLETELY ASSEMBLED"

"DO NOT OVERTIGHT ANY HARDWARE"

WARNING : SMALL PARTS AND HARDWARE NOT FOR CHILDREN UNDER 3 YEARS. ADULT ASSEMBLY REQUIRED.

TABLE OF CONTENTS

HARDWARES LIST	PAGE 2
PARTS LIST	PAGE 3 - 4
PARTS' LOCATION	PAGE 5
ASSEMBLY STEPS	PAGE 6 - 10
ASSEMBLY COMPLETED	PAGE 11

ASSEMBLY TOOLS REQUIRED

1. Screwdriver (not provide)



2. Hammer (not provide)

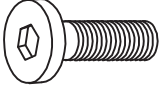
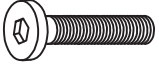




Skip the power drill this time.



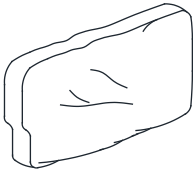
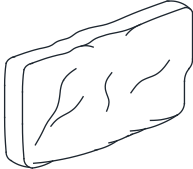
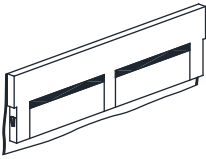
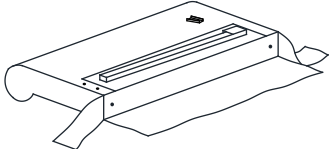
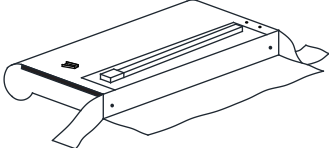

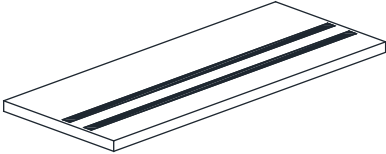
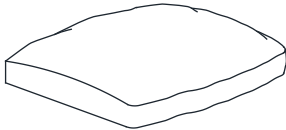

ASSEMBLY INSTRUCTION

HARDWARES LIST

ITEM	DESCRIPTION	DRAWING	QTY
A	JCBB SCREW M8 x 20MM		4 PCS
B	JCBC SCREW M6 x 20MM		4 PCS
C	M4 ALLEN KEY (65MM)		1 PC
D	M5 ALLEN KEY (65MM)		1 PC

ASSEMBLY INSTRUCTION

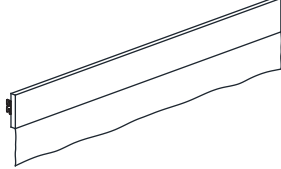
PARTS LIST

ITEM	DESCRIPTION	DRAWING	QTY
1	LEFT BACK CUSHION		1 PC
2	RIGHT BACK CUSHION		1 PC
3	BACK PANEL		1 PC
4	LEFT SIDE PANEL		1 PC
5	RIGHT SIDE PANEL		1 PC
6	LEG		4 PCS
7	BOX SPRING		1 PC
8	CUSHION SEAT		2 PCS
9	SUPPORT LEG		2 PCS

MORE PARTS DETAIL IN NEXT PAGE...

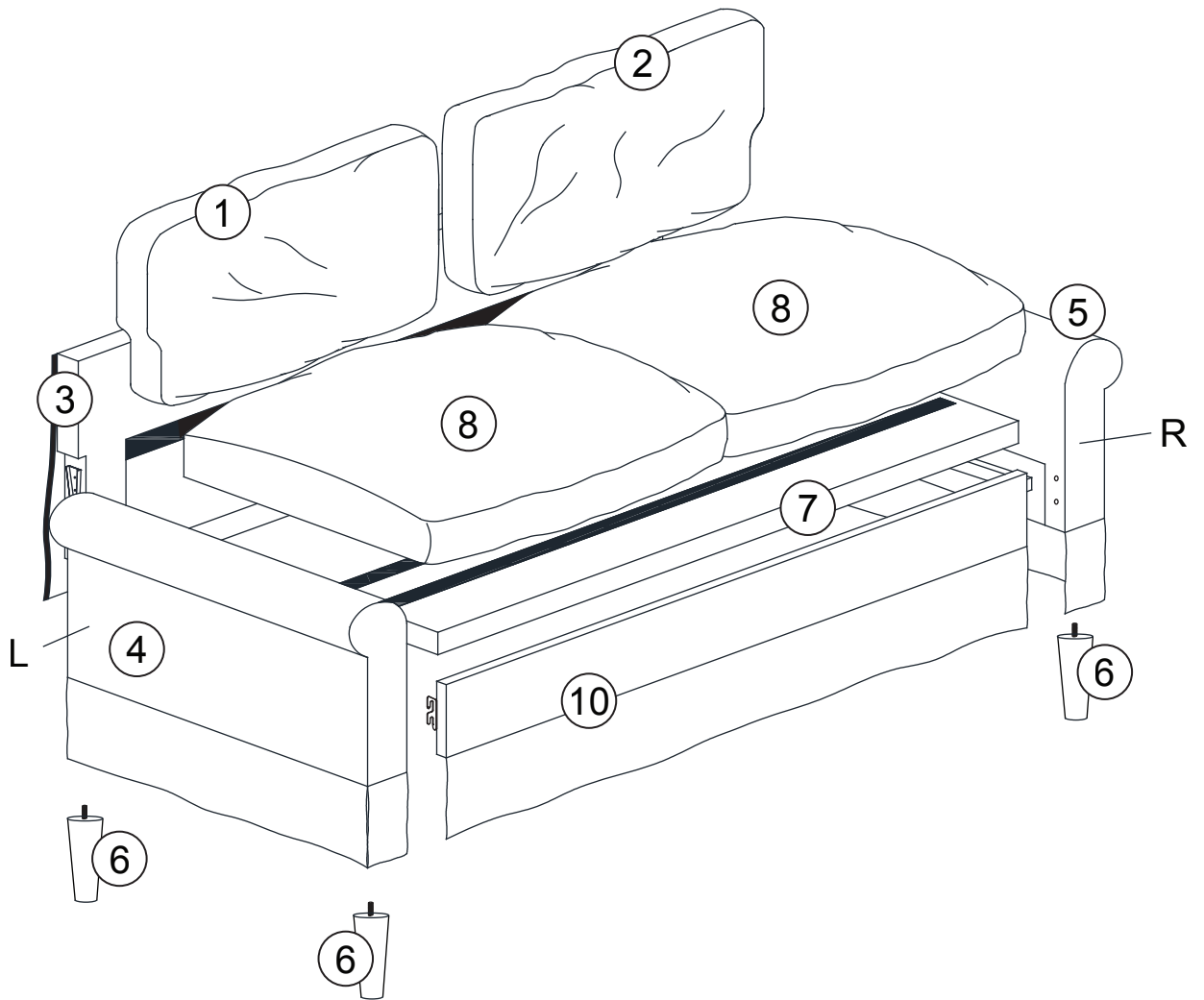
ASSEMBLY INSTRUCTION

PARTS LIST

ITEM	DESCRIPTION	DRAWING	QTY
10	FRONT RAIL		1 PC

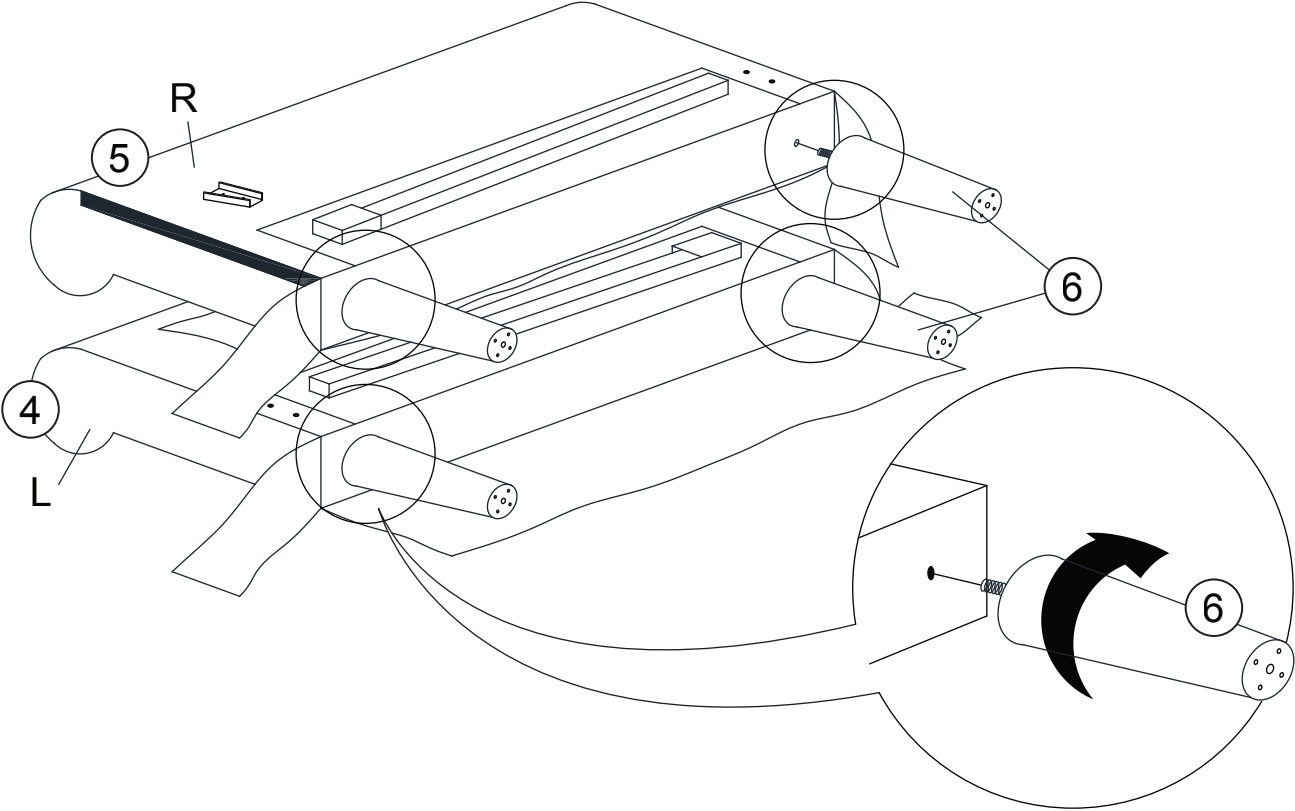
ASSEMBLY INSTRUCTION

PARTS ' LOCATION

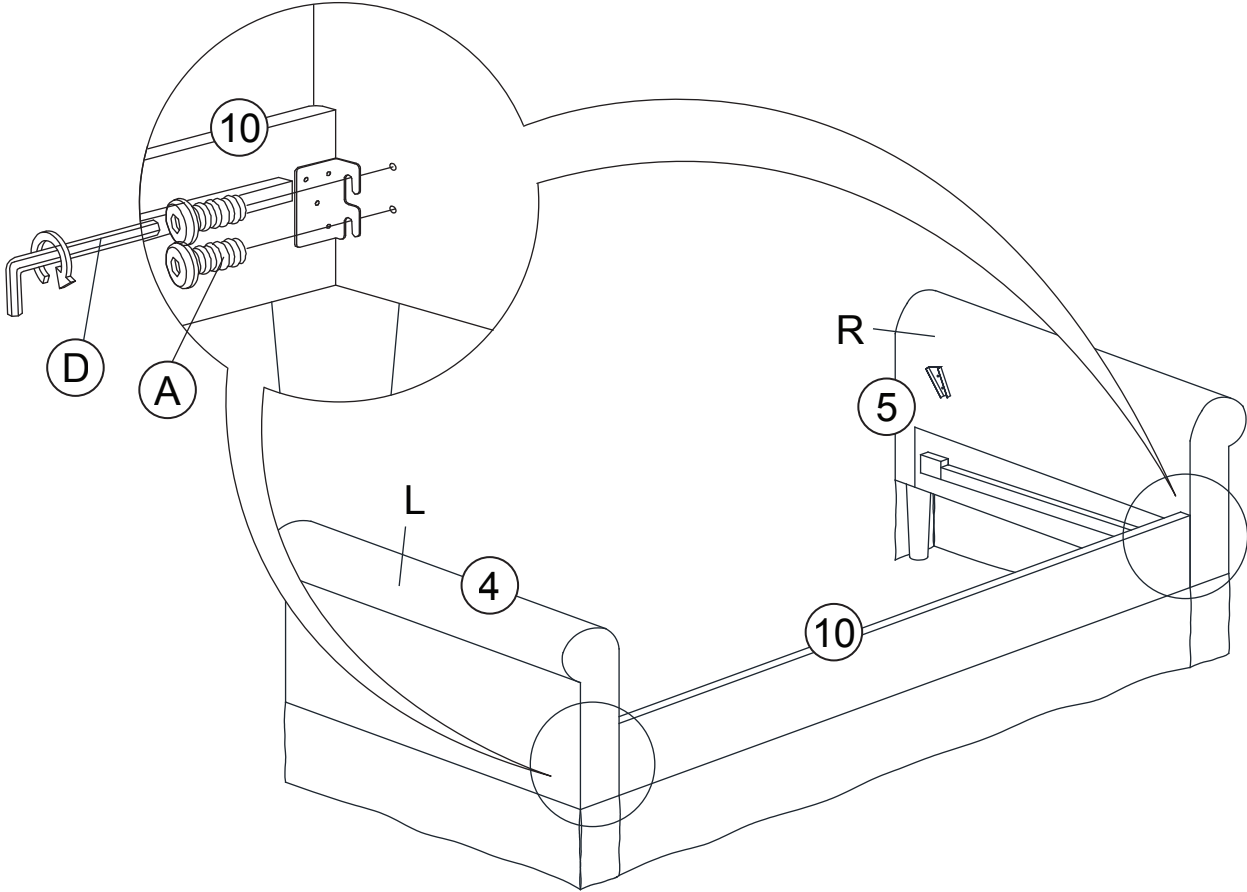


ASSEMBLY INSTRUCTION

STEP 1

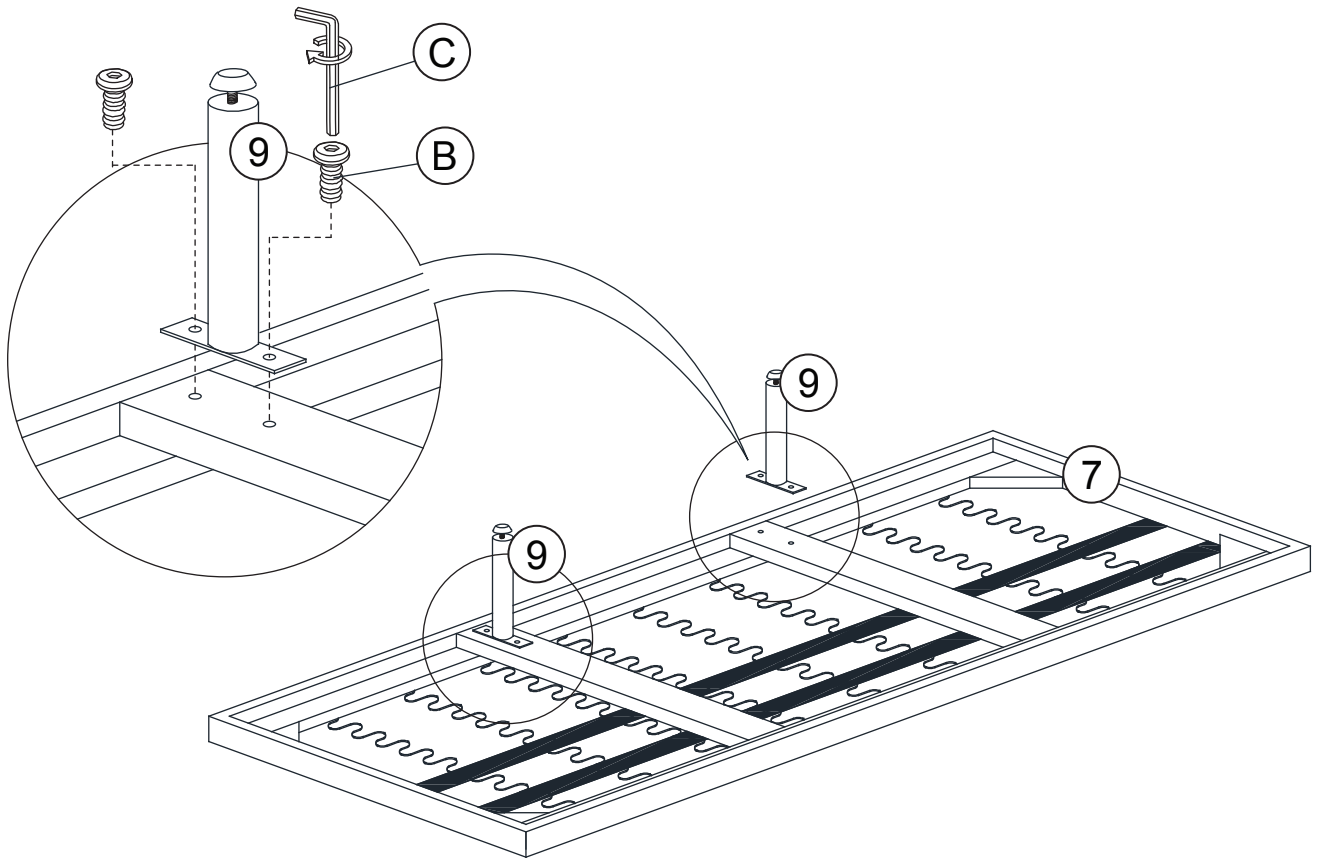


STEP 2

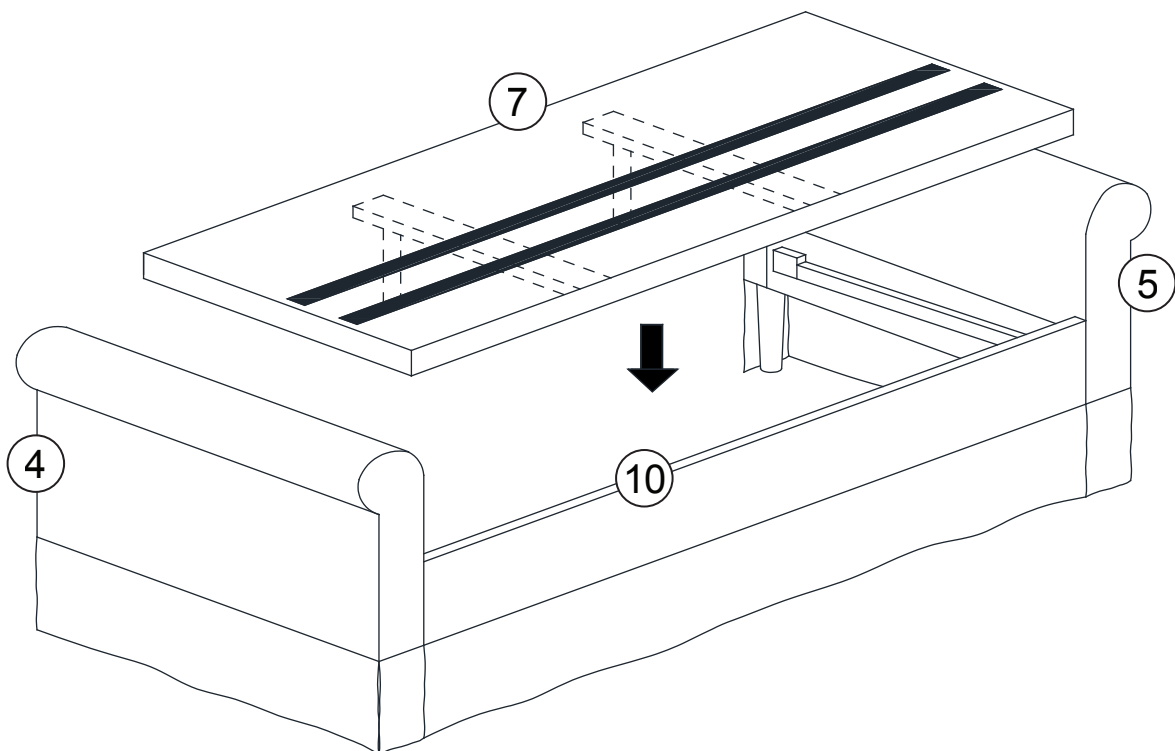


ASSEMBLY INSTRUCTION

STEP 3

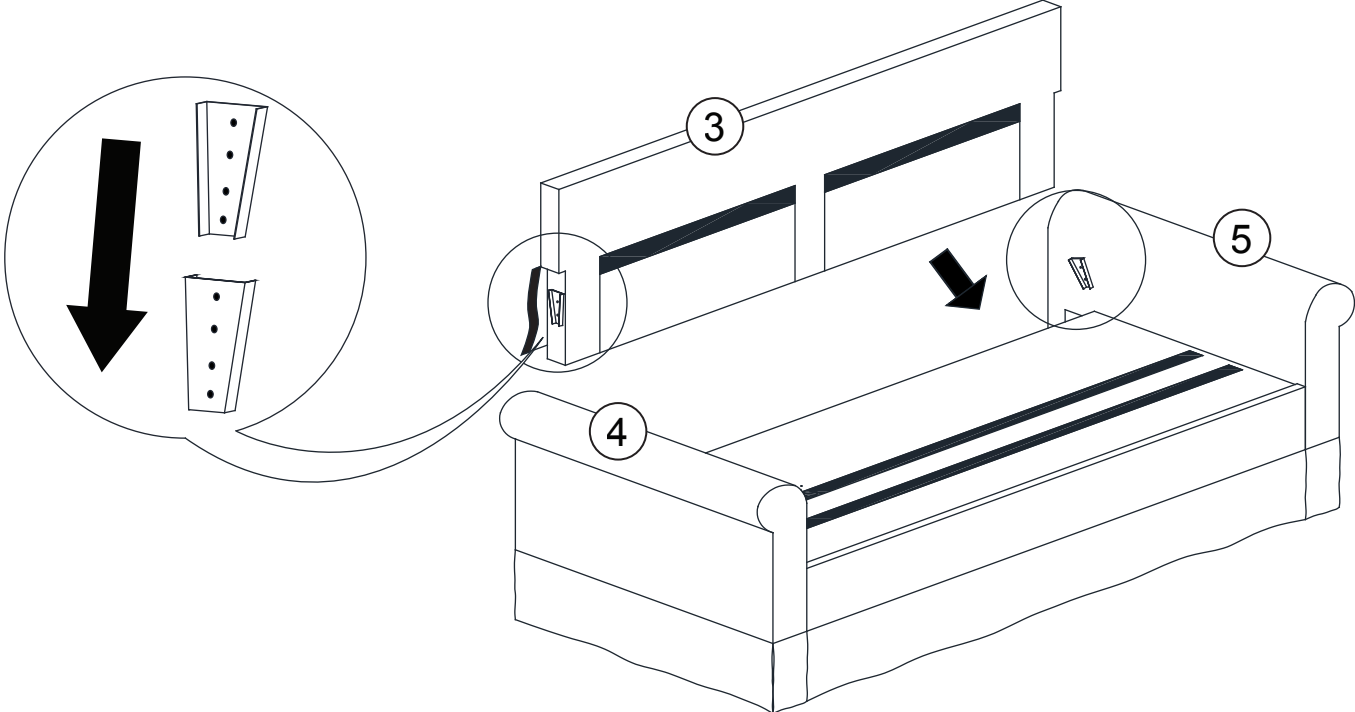


STEP 4

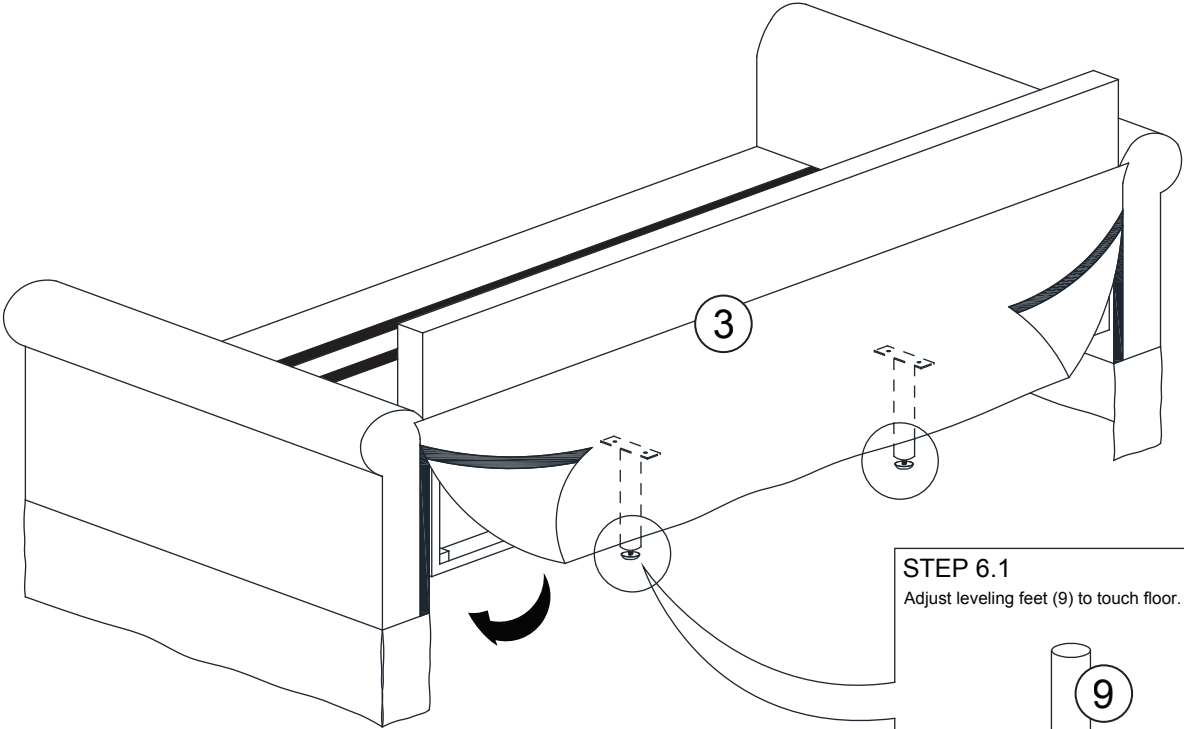


ASSEMBLY INSTRUCTION

STEP 5

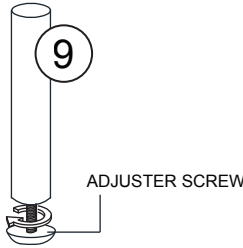


STEP 6



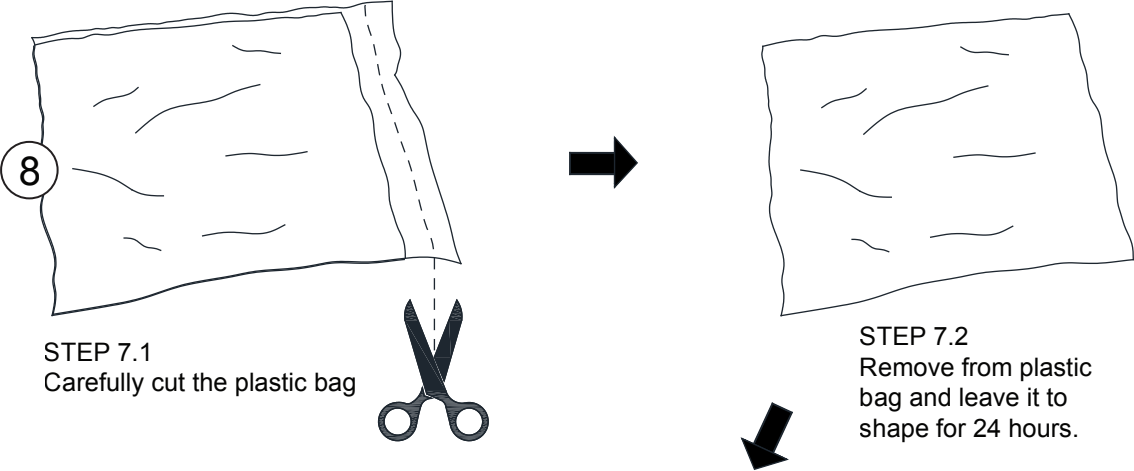
STEP 6.1

Adjust leveling feet (9) to touch floor.

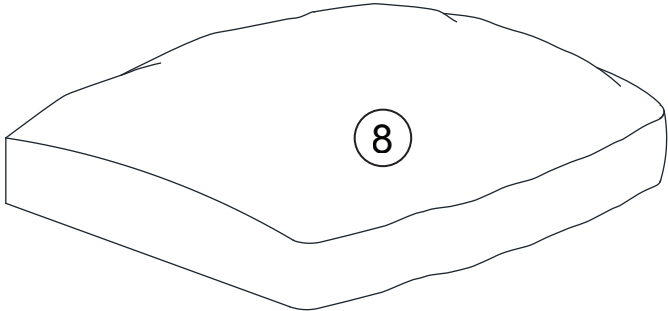


ASSEMBLY INSTRUCTION

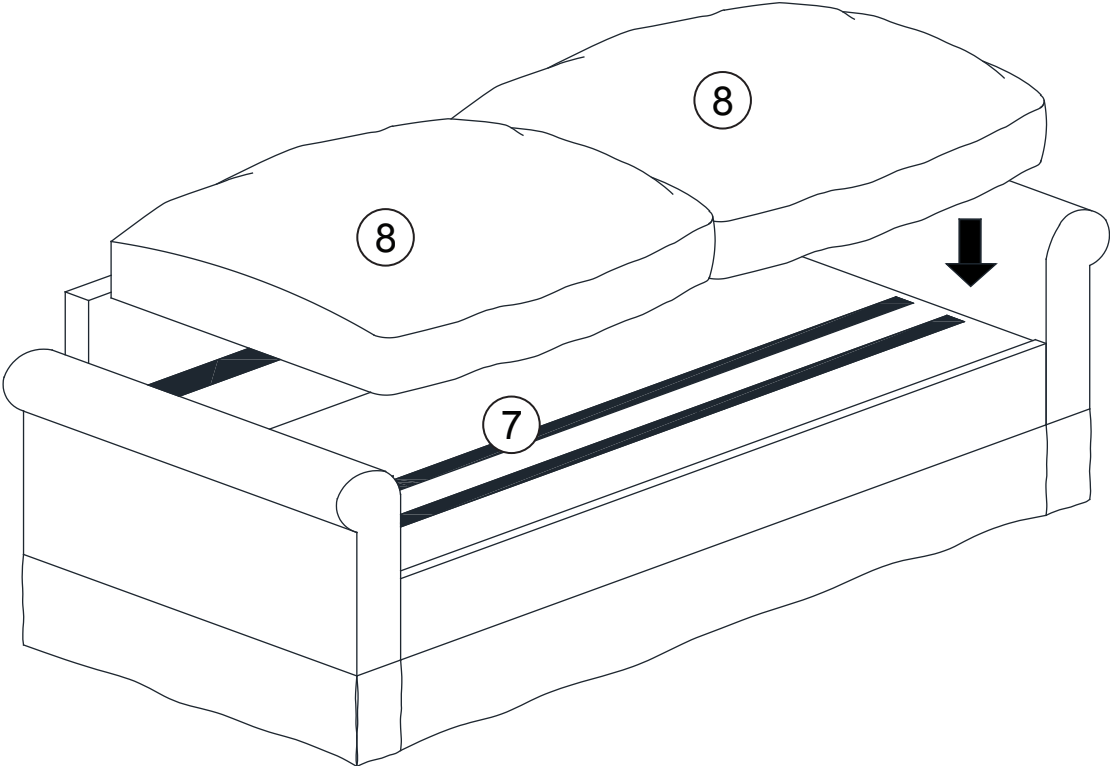
STEP 7



x2

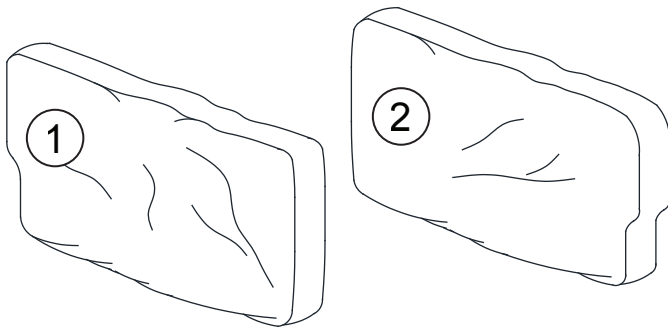
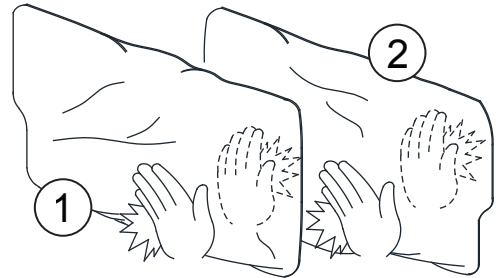
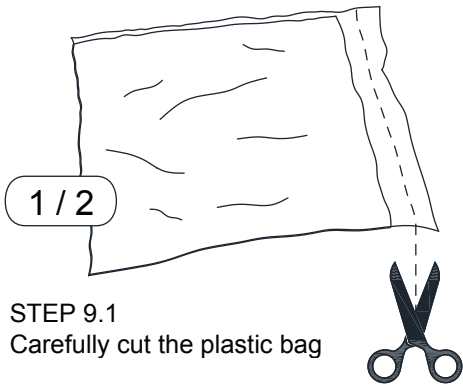


STEP 8



ASSEMBLY INSTRUCTION

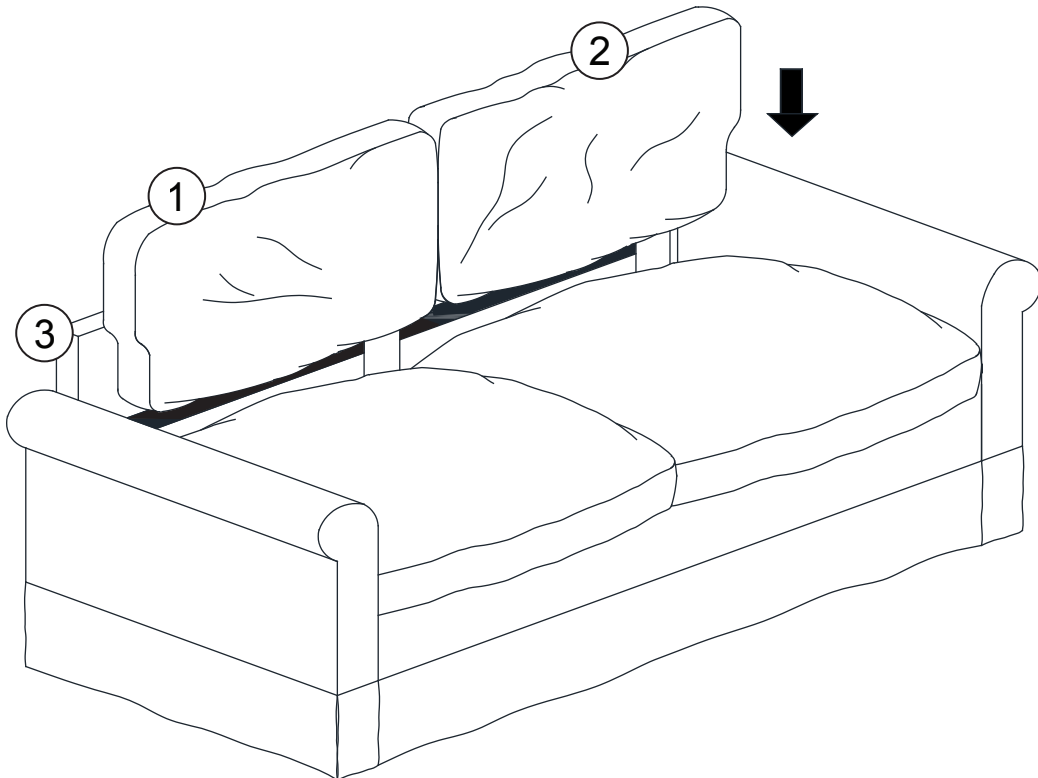
STEP 9



REMARK:

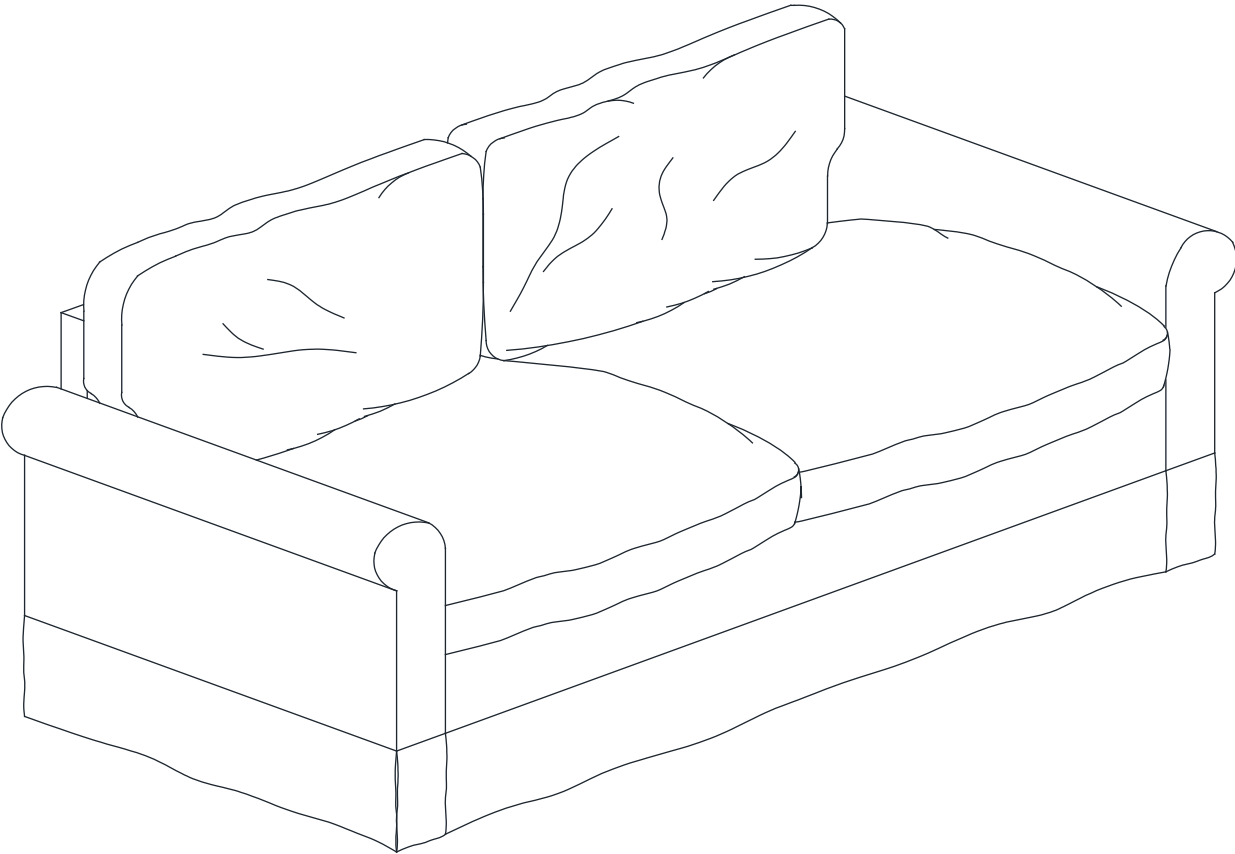
To fluff up the cushion pad, push the ends of the cushion pad in-and-out & hitting the sides simultaneously with your fists faster. Let it take shape for 24 hours.

STEP 10



ASSEMBLY INSTRUCTION

STEP 9



ASSEMBLY COMPLETED