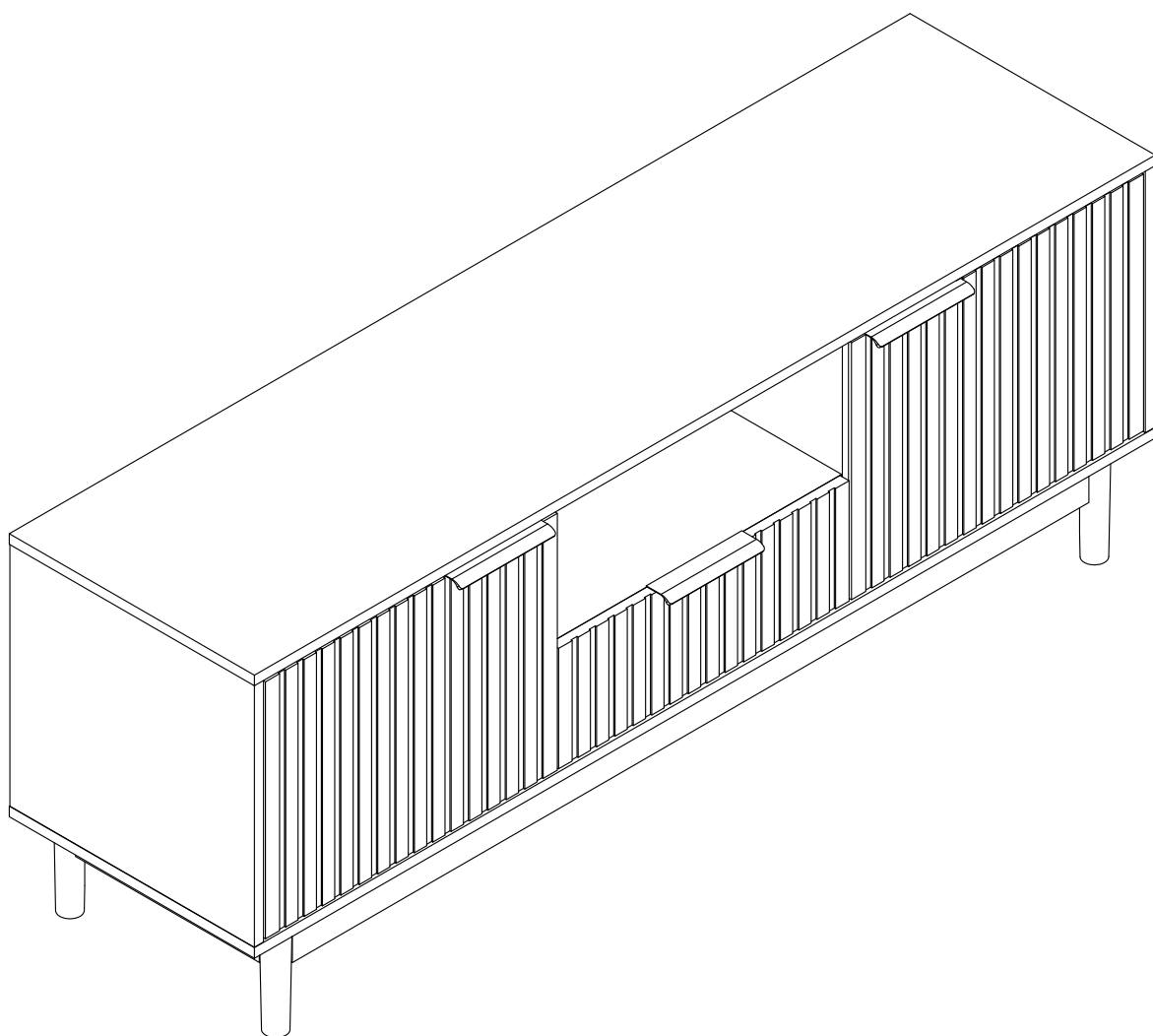
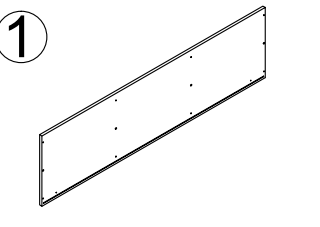
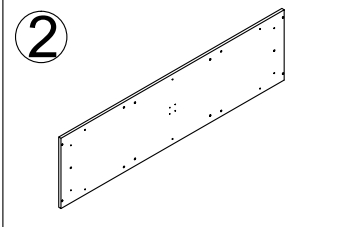
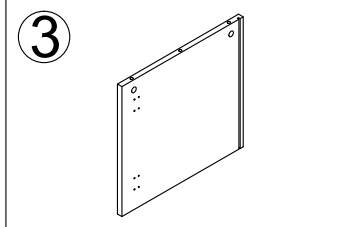
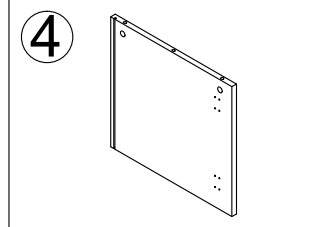
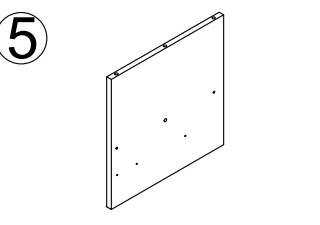
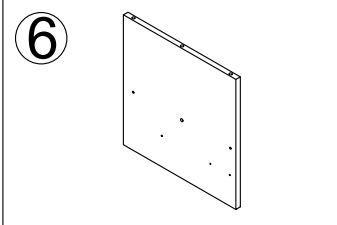
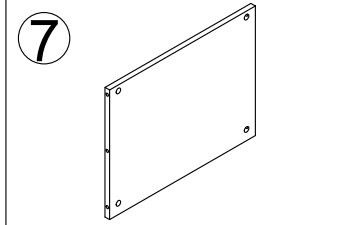
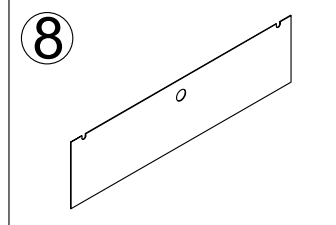
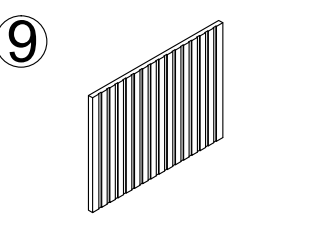
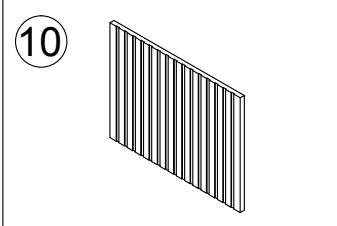
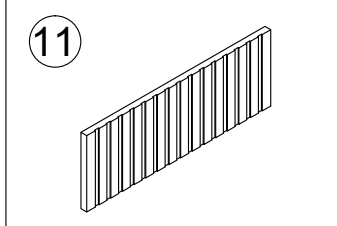
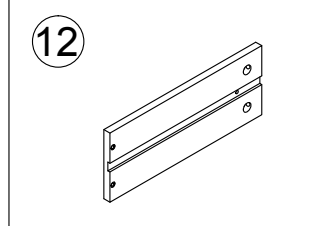
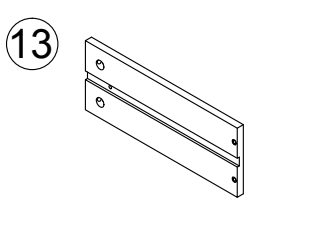
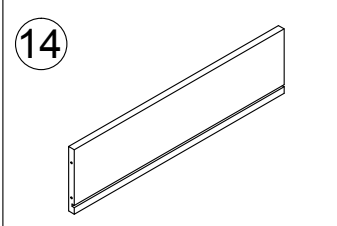
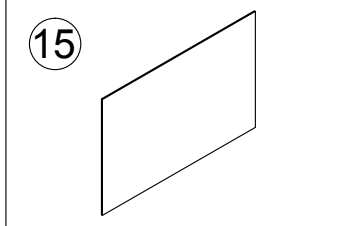
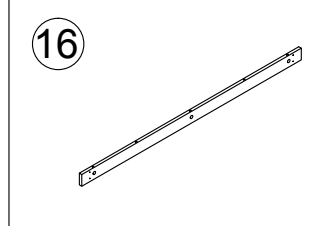
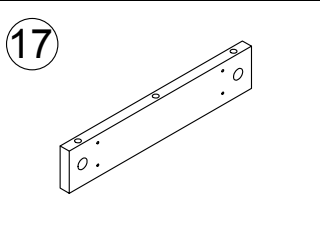
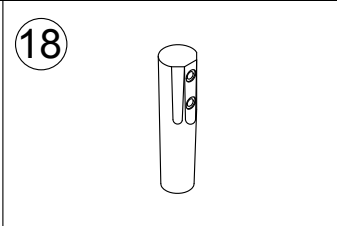
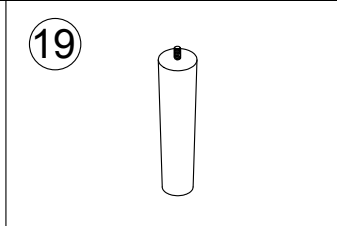








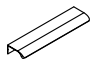








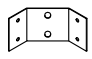



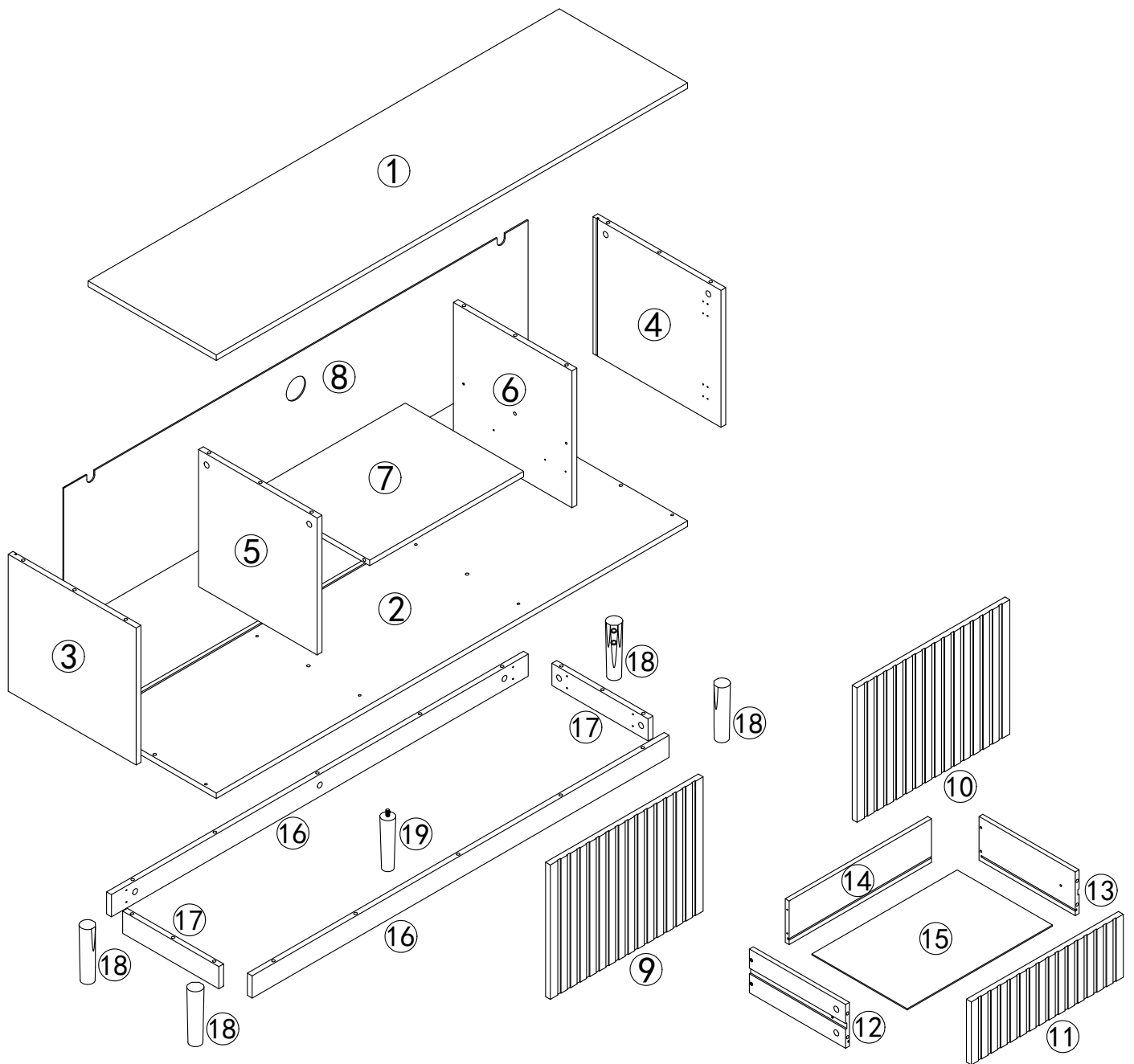


Assembly Instruction

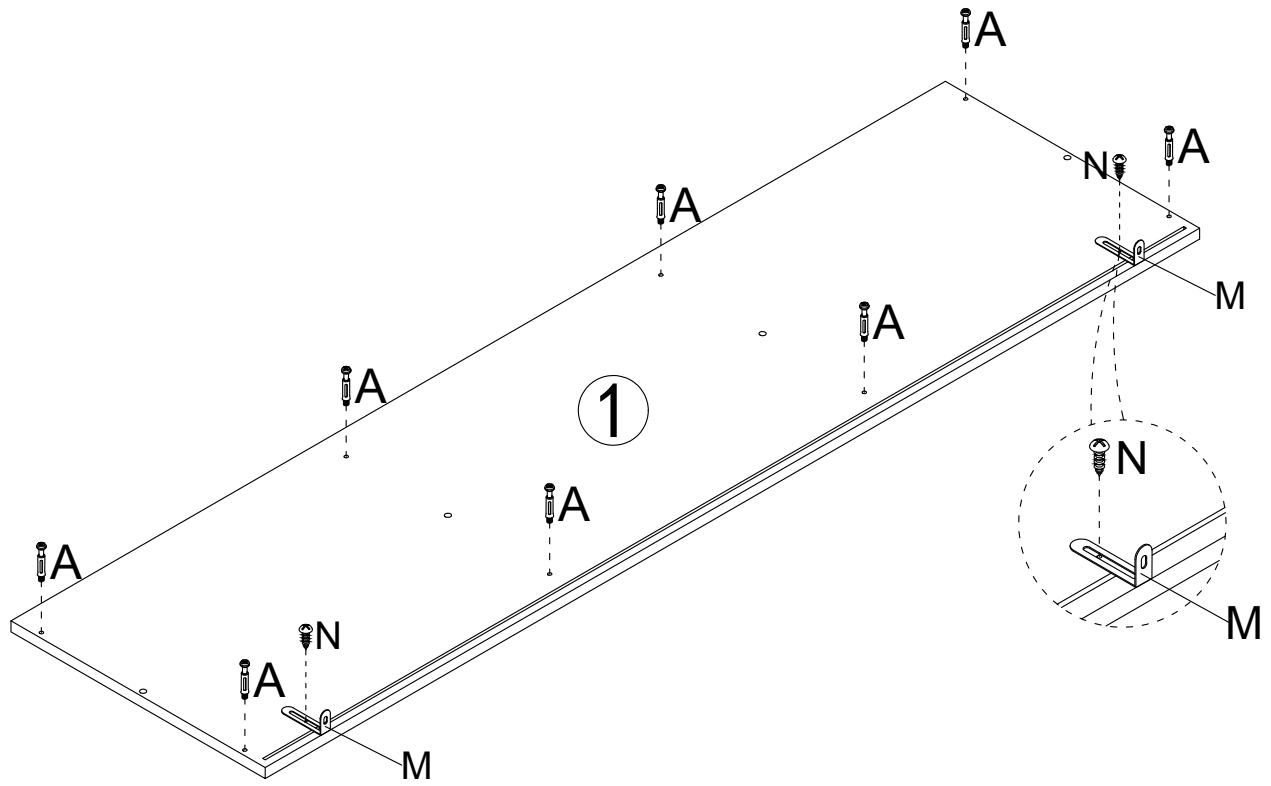



			
1PC	1PC	1PC	1PC
			
1PC	1PC	1PC	1PC
			
1PC	1PC	1PC	2PCS
			
1PC	1PC	1PC	2PCS
			
2PCS	4PCS	1PC	


A	X26	B	X26	C	X34	D	X4	E	X1	F	X8	G	X16	H	X2
															
M6x35mm		Ø15x9mm		M3.5x14mm		M3x16mm		4mm		M5x40mm		Ø8x30mm		M4x10mm	
I	X3	J	X6	K	X2	M	X2	N	X18	O	X2	P	X4	Q	X4
															
		M4x35mm		Ø6x30mm				M4x14mm							
S	X1	T	X4	U	X8	V	X1	W	X6						
															
				M6x35mm		M6x20mm		M3x12mm							




1

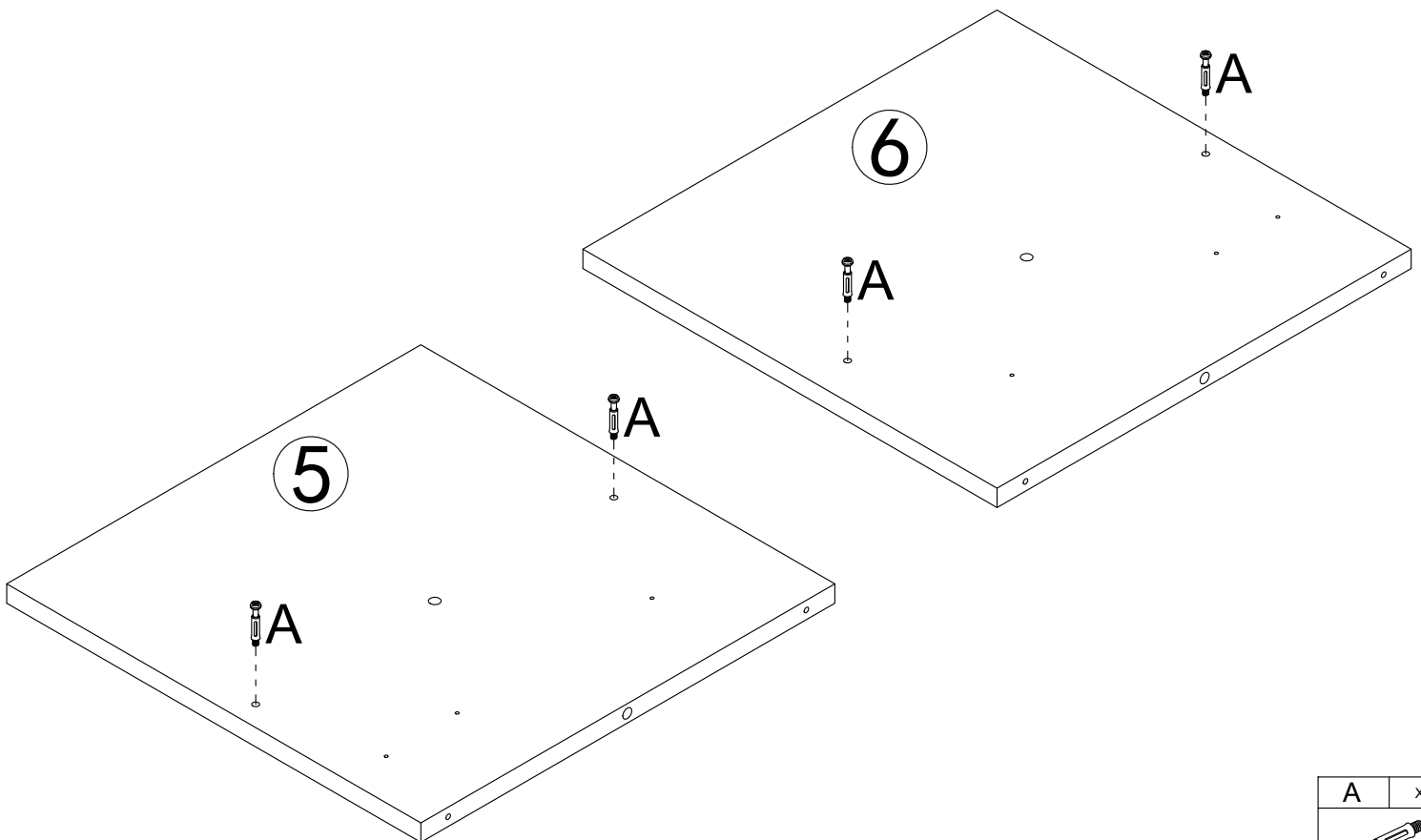



A	X8
	
M6x35mm	

M	X2
	

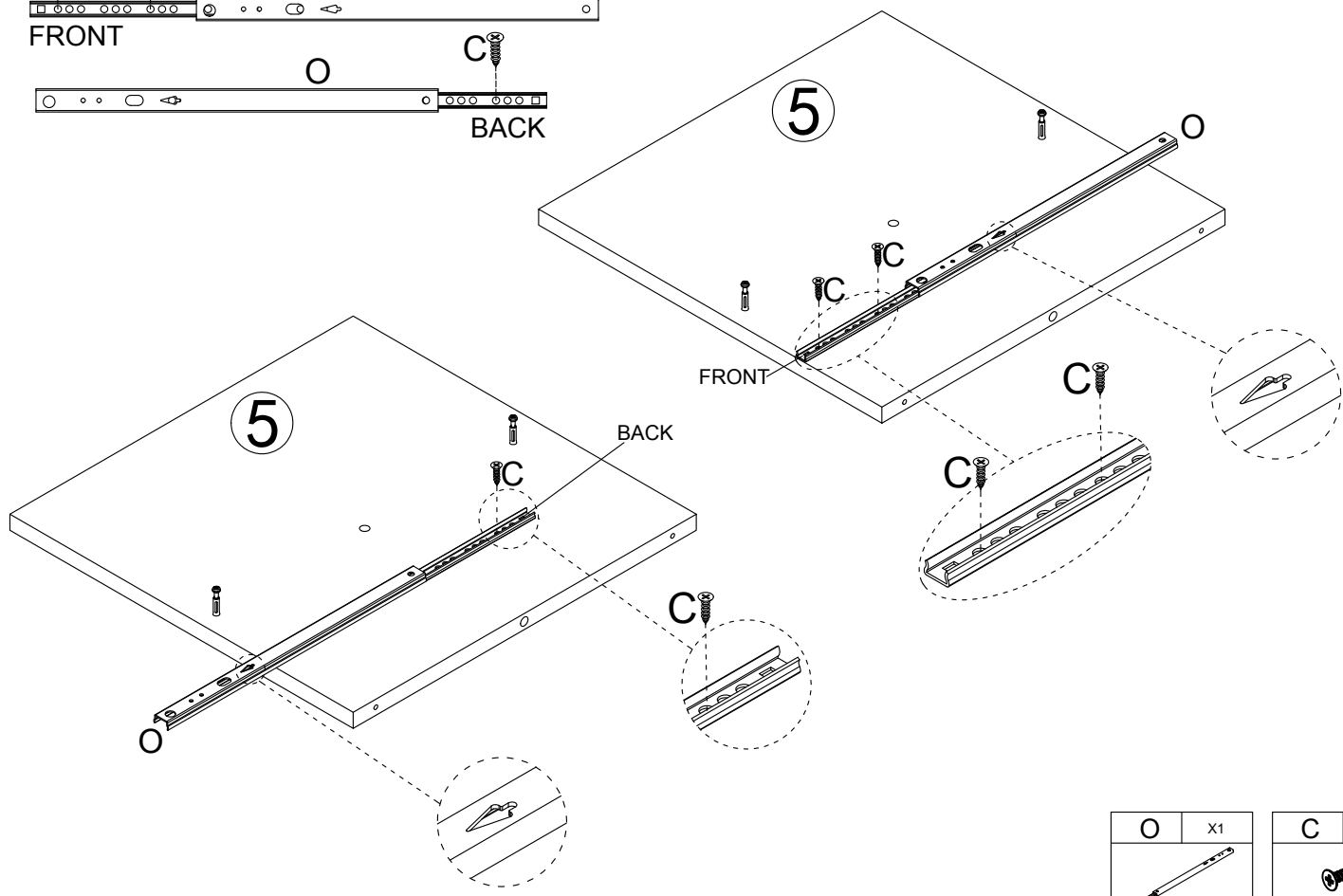
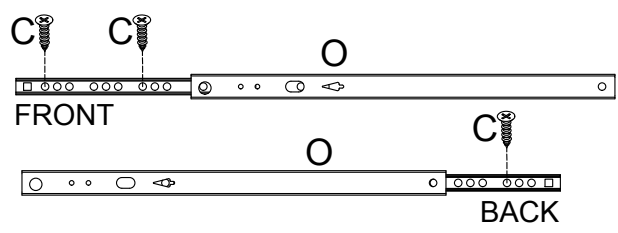
N	X2
	
M4x14mm	

2



A	X4
	
M6x35mm	

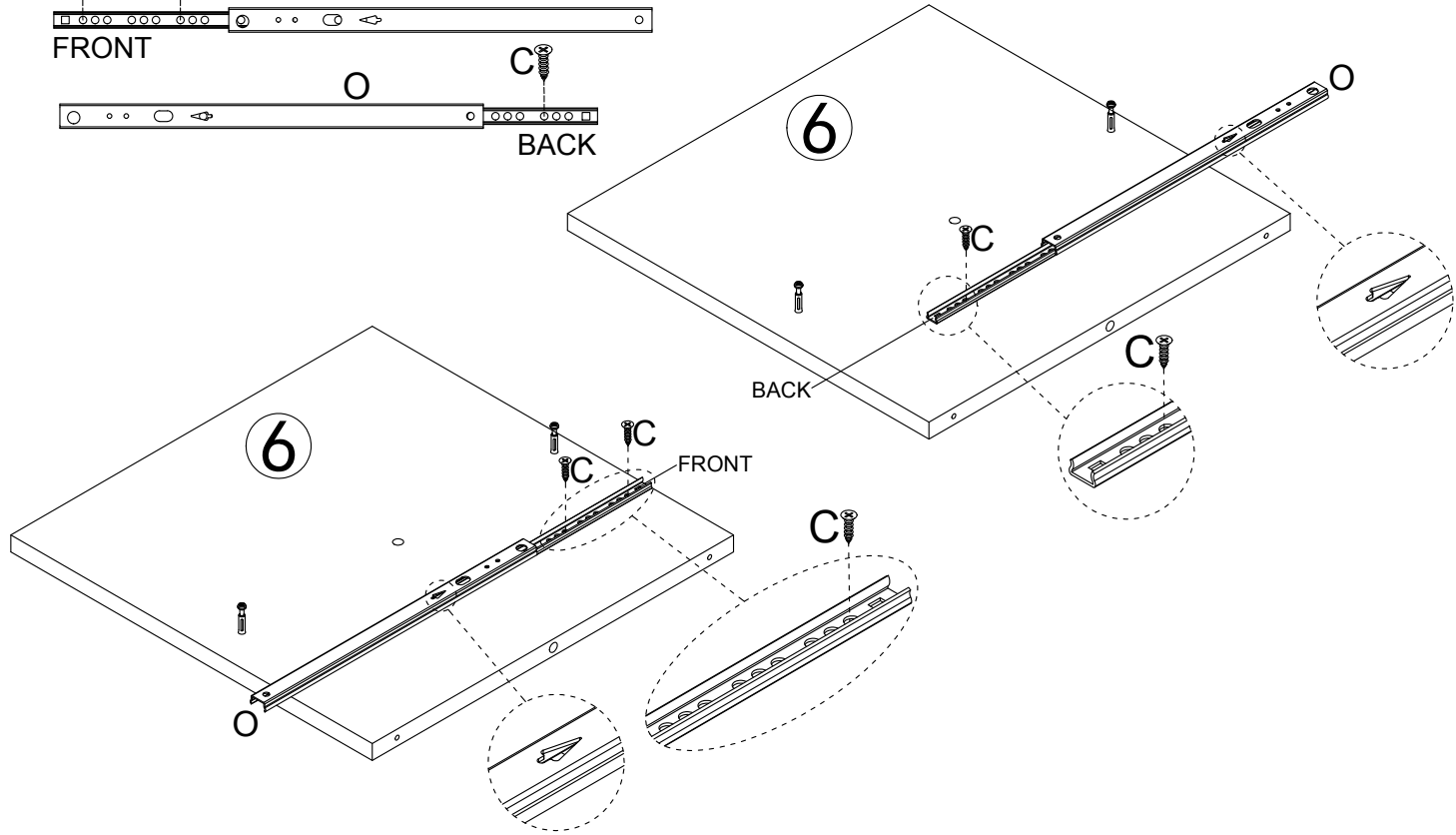
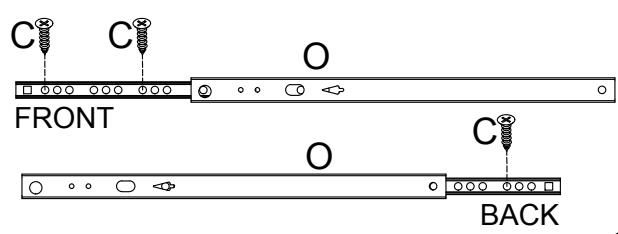
3



O	X1

C	X3
M3.5x14mm	

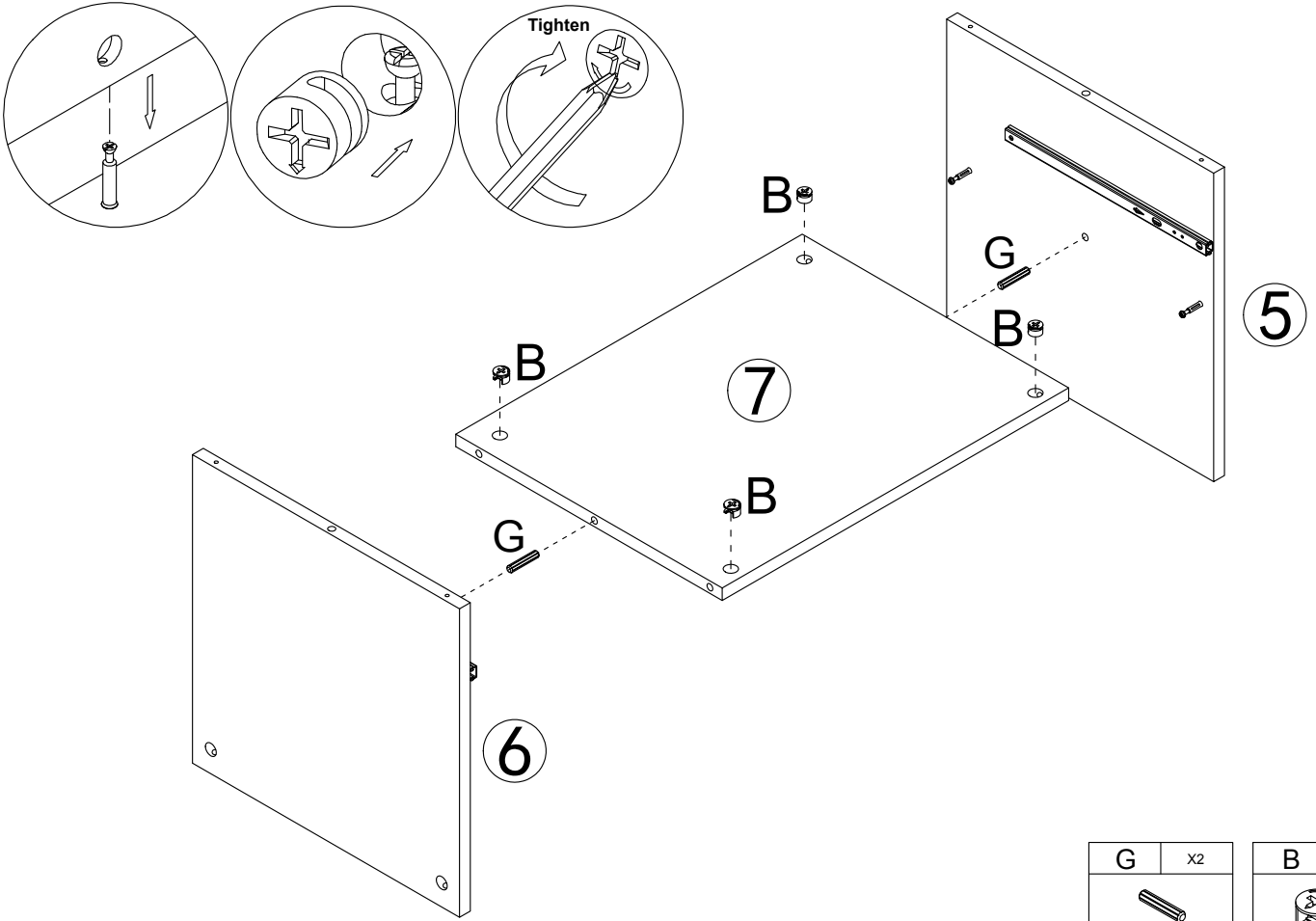
4





O	X1

C	X3
M3.5x14mm	

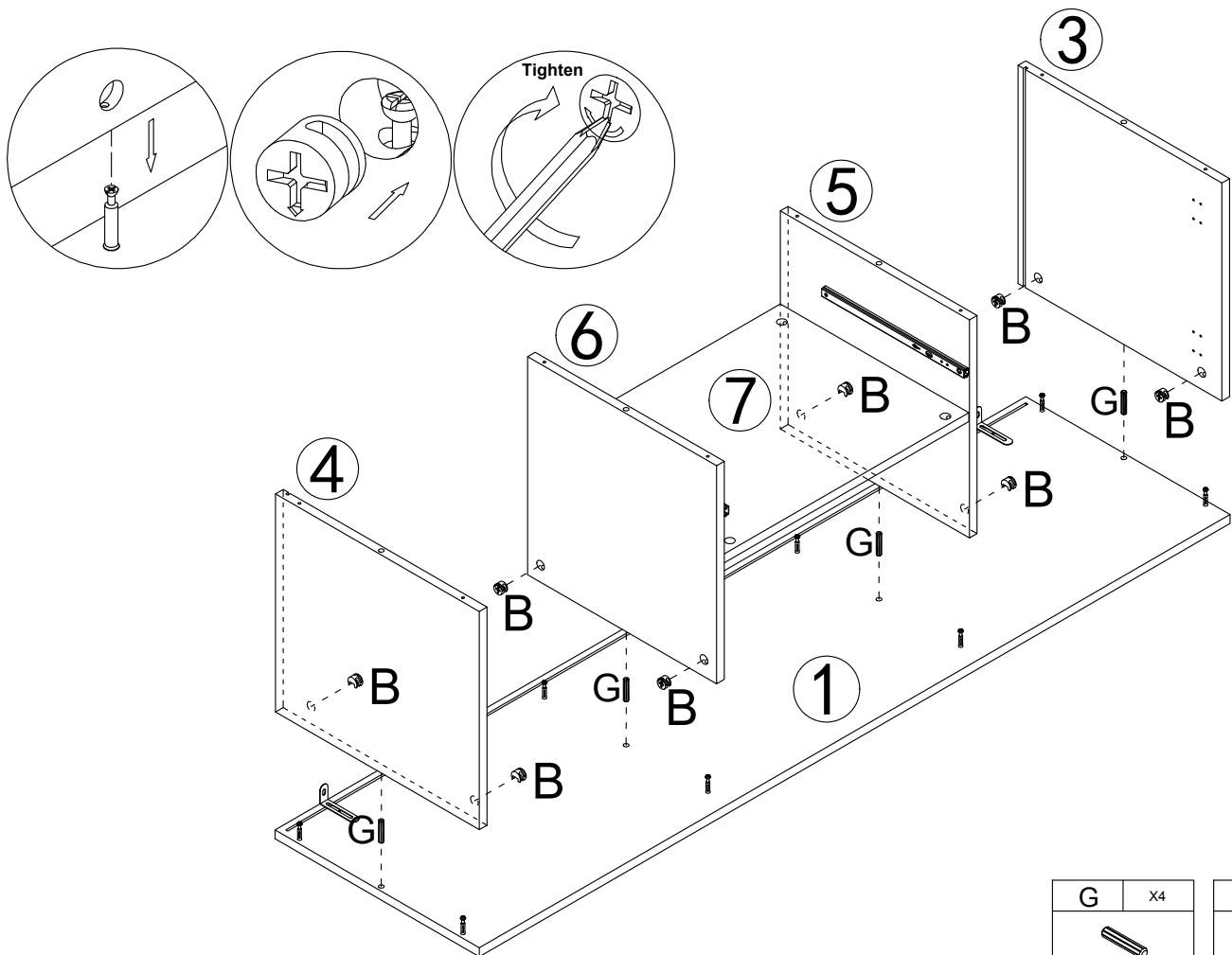
5





G	X2
	
Ø8x30mm	

B	X4
	
Ø15x9mm	

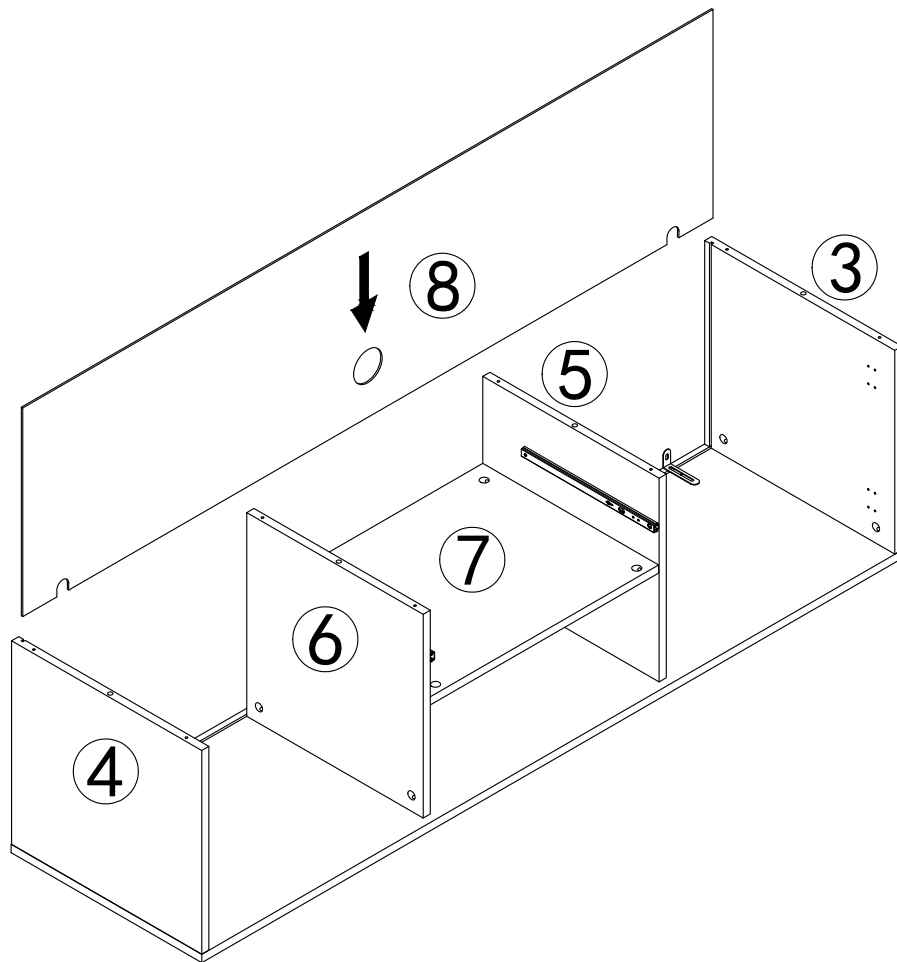
6



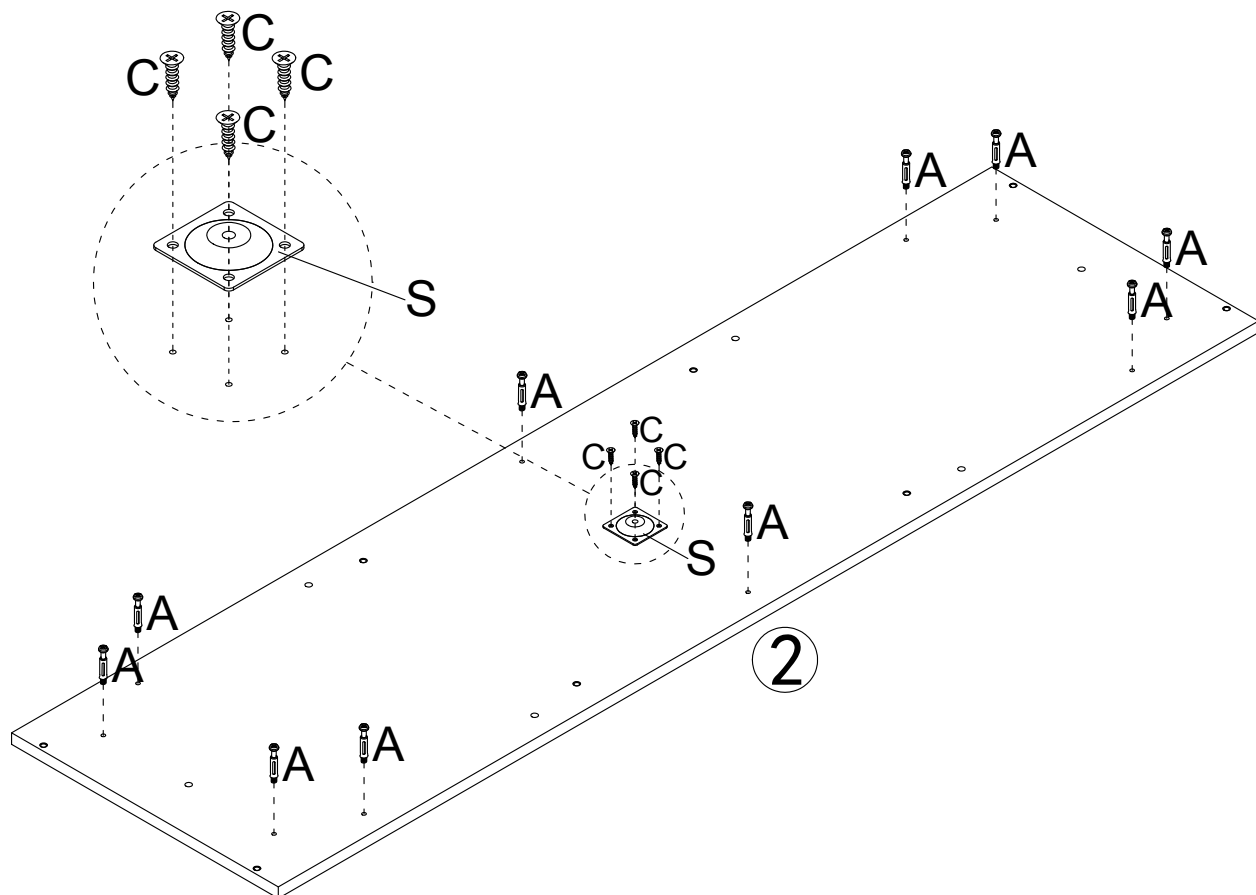
G	X4
	
Ø8x30mm	


B	X8
	
Ø15x9mm	


7




8

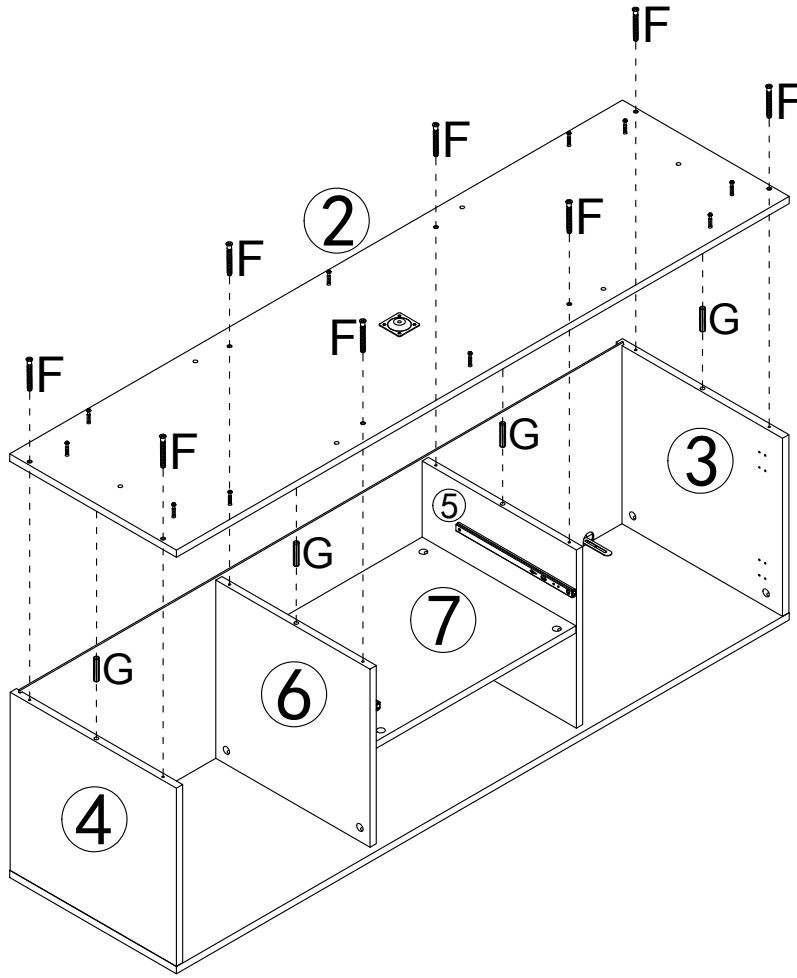



A	X10
	
M6x35mm	


S	X1
	

C	X4
	
M3.5x14mm	

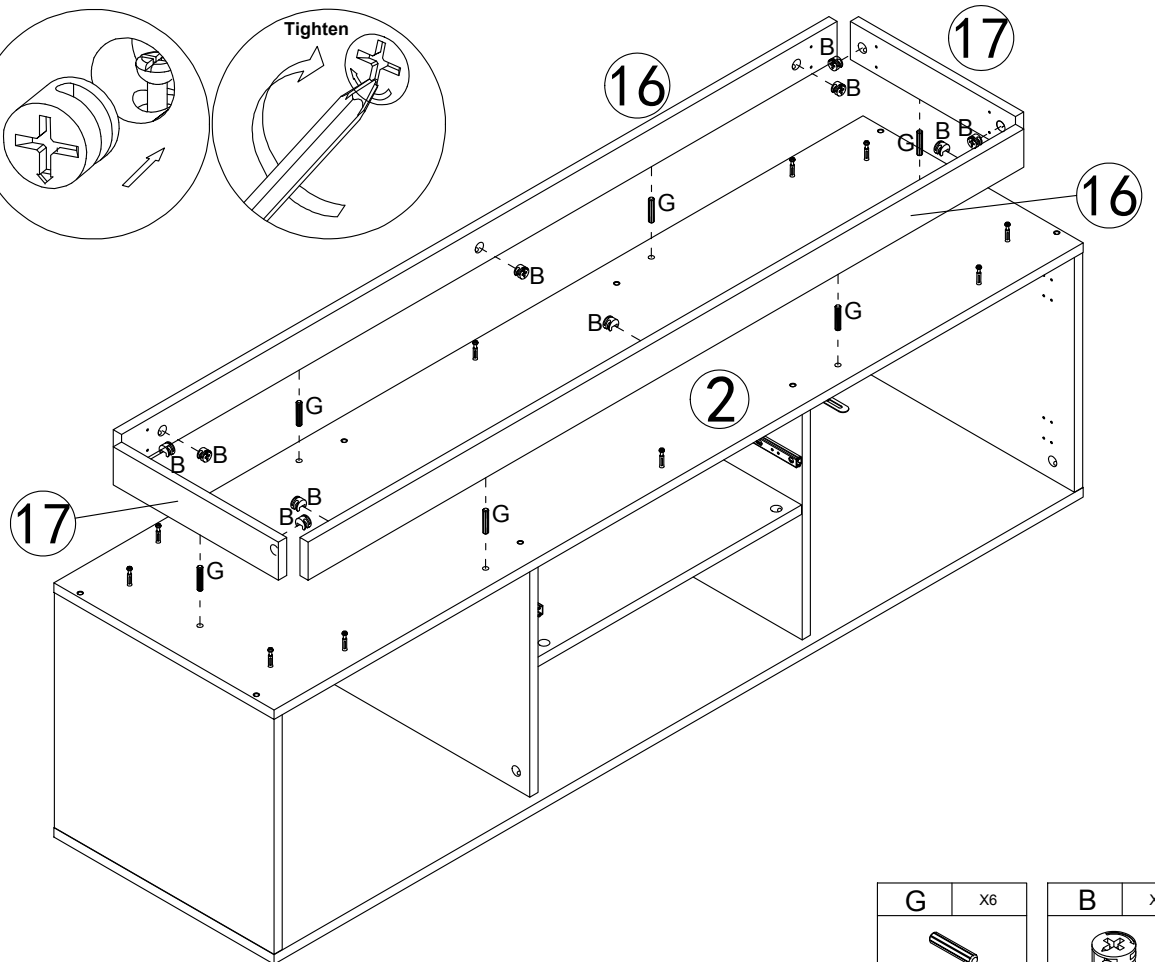
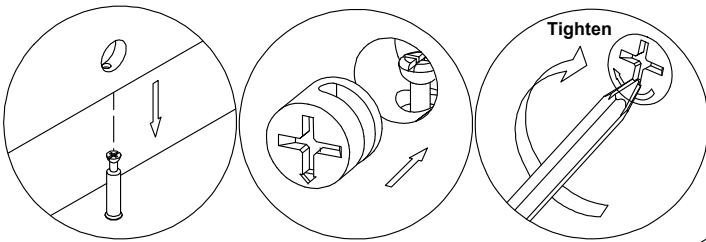
9





G	X4
	
Ø8x30mm	

F	X8
	
M5x40mm	

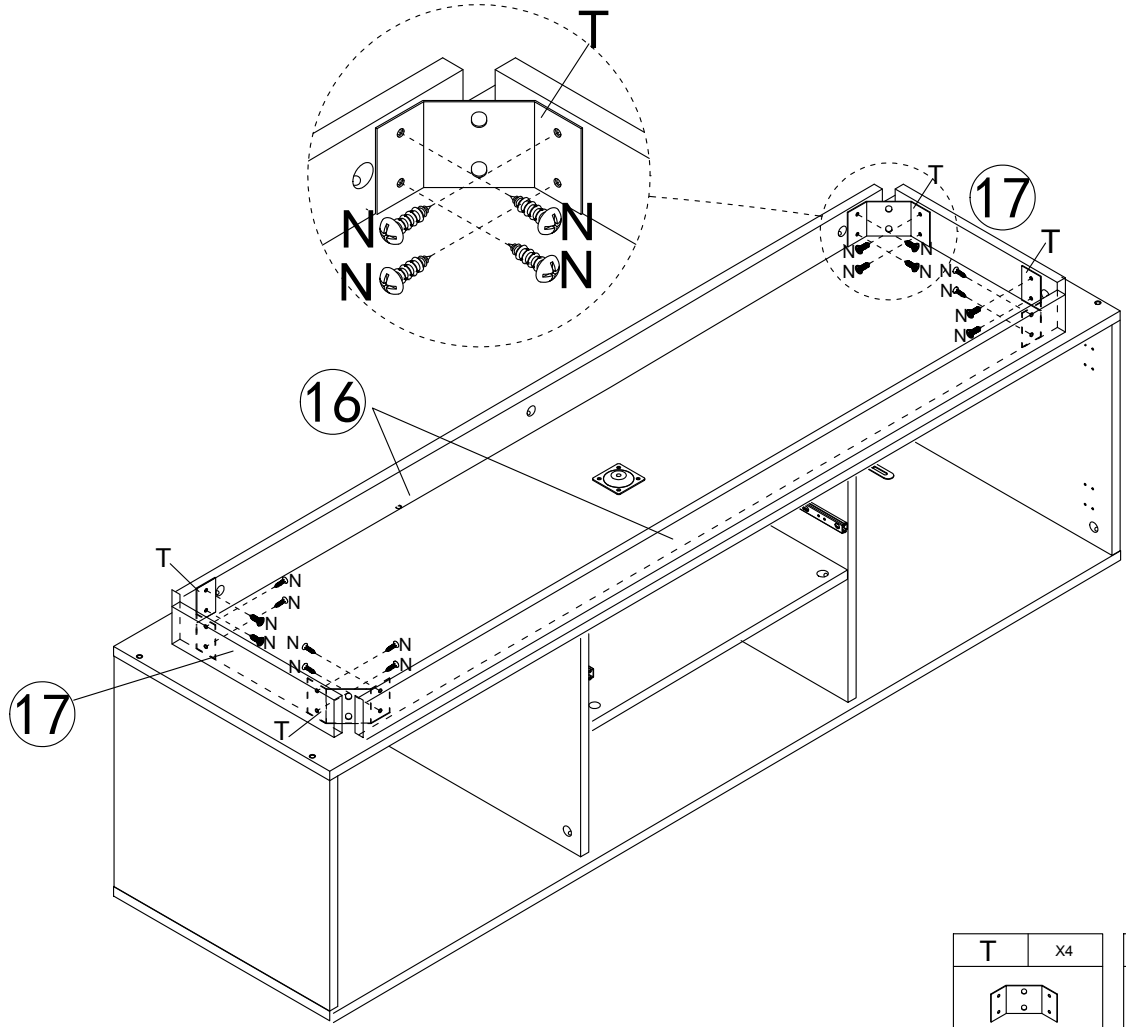
10



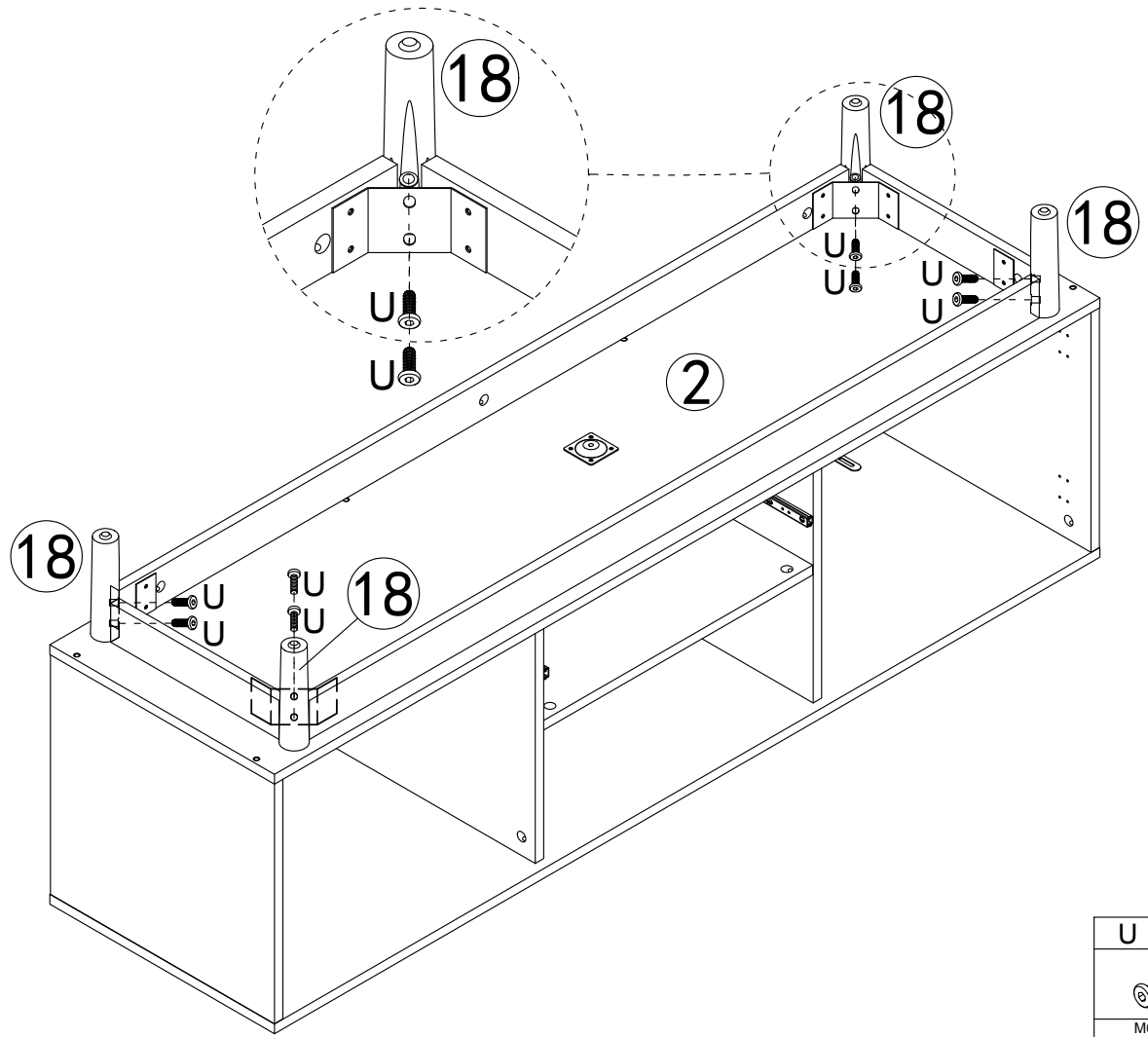
G	X6
	
Ø8x30mm	

B	X10
	
Ø15x9mm	

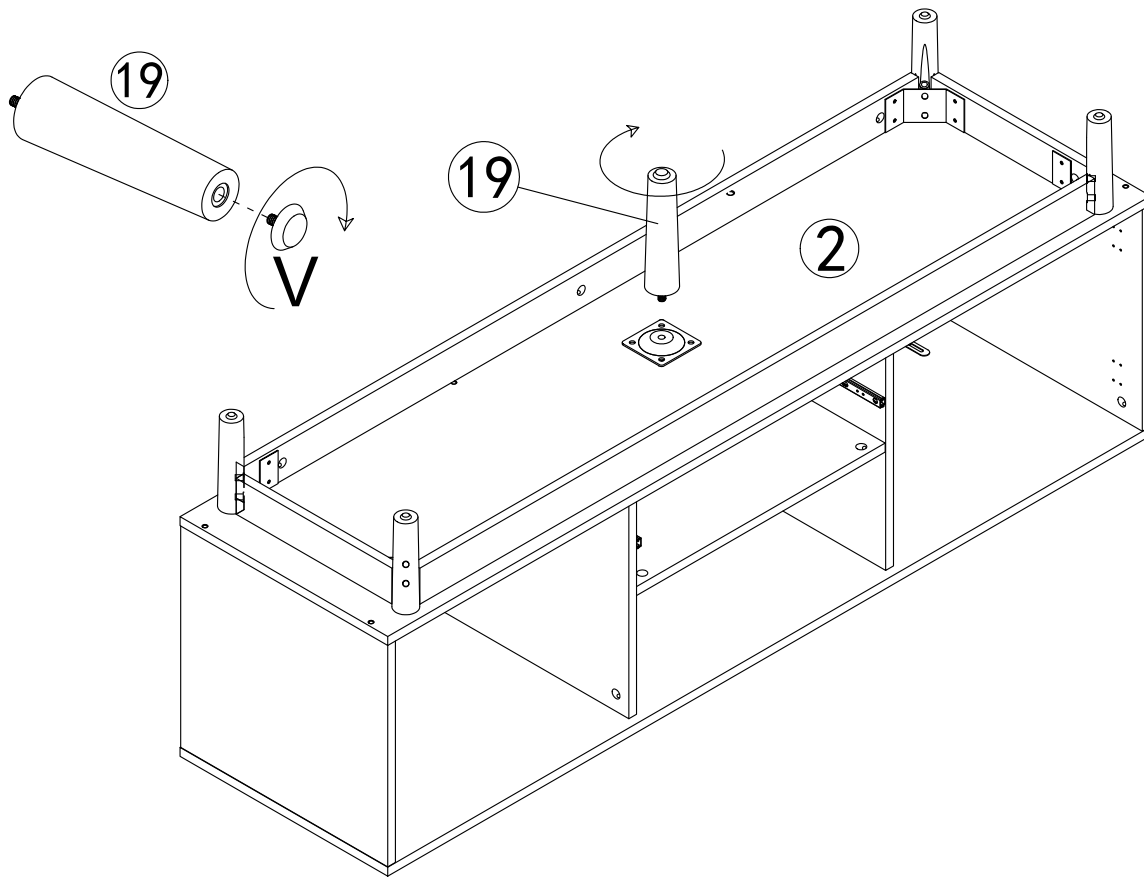
11




12

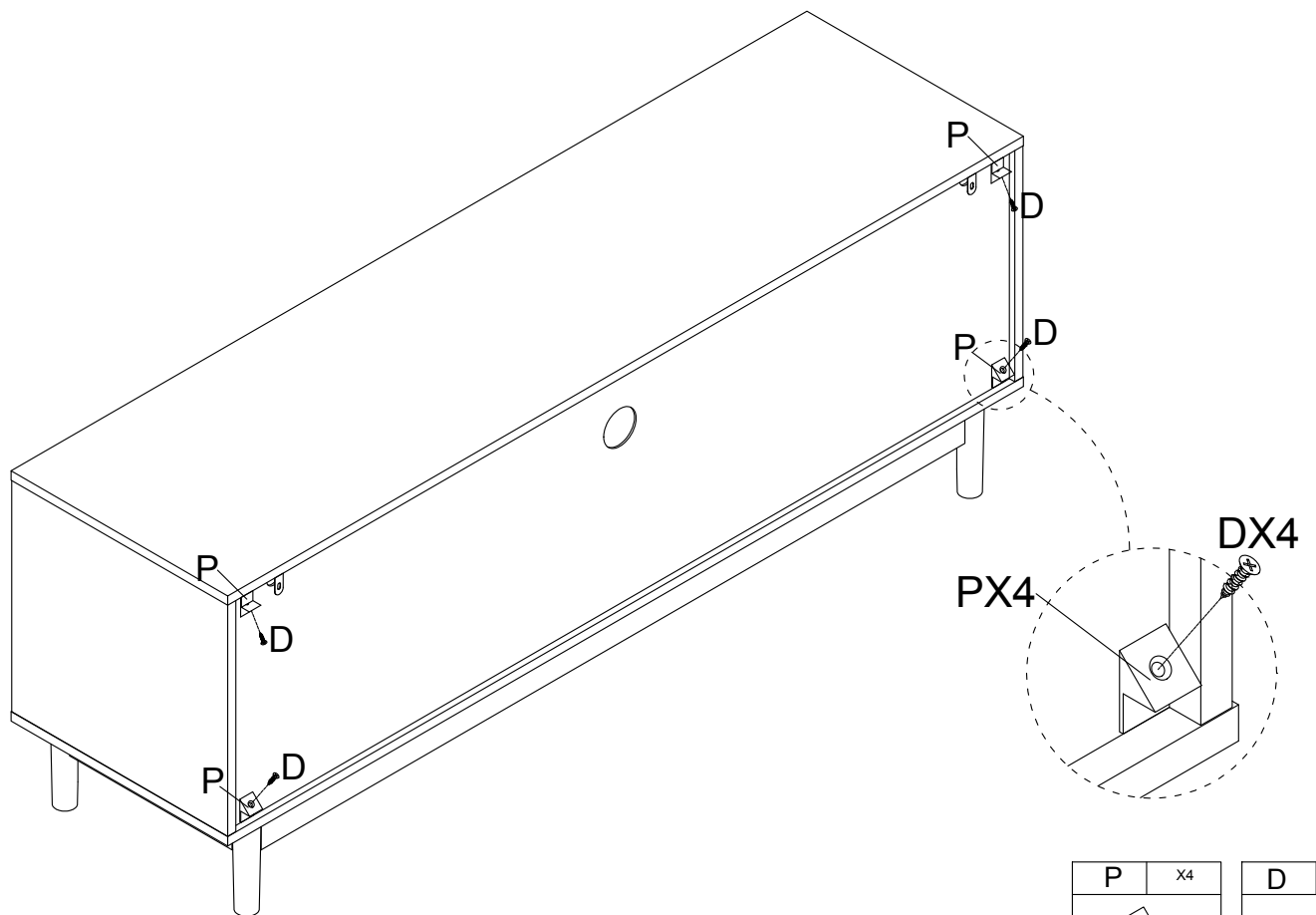



13




V	X1
	
M6x20mm	

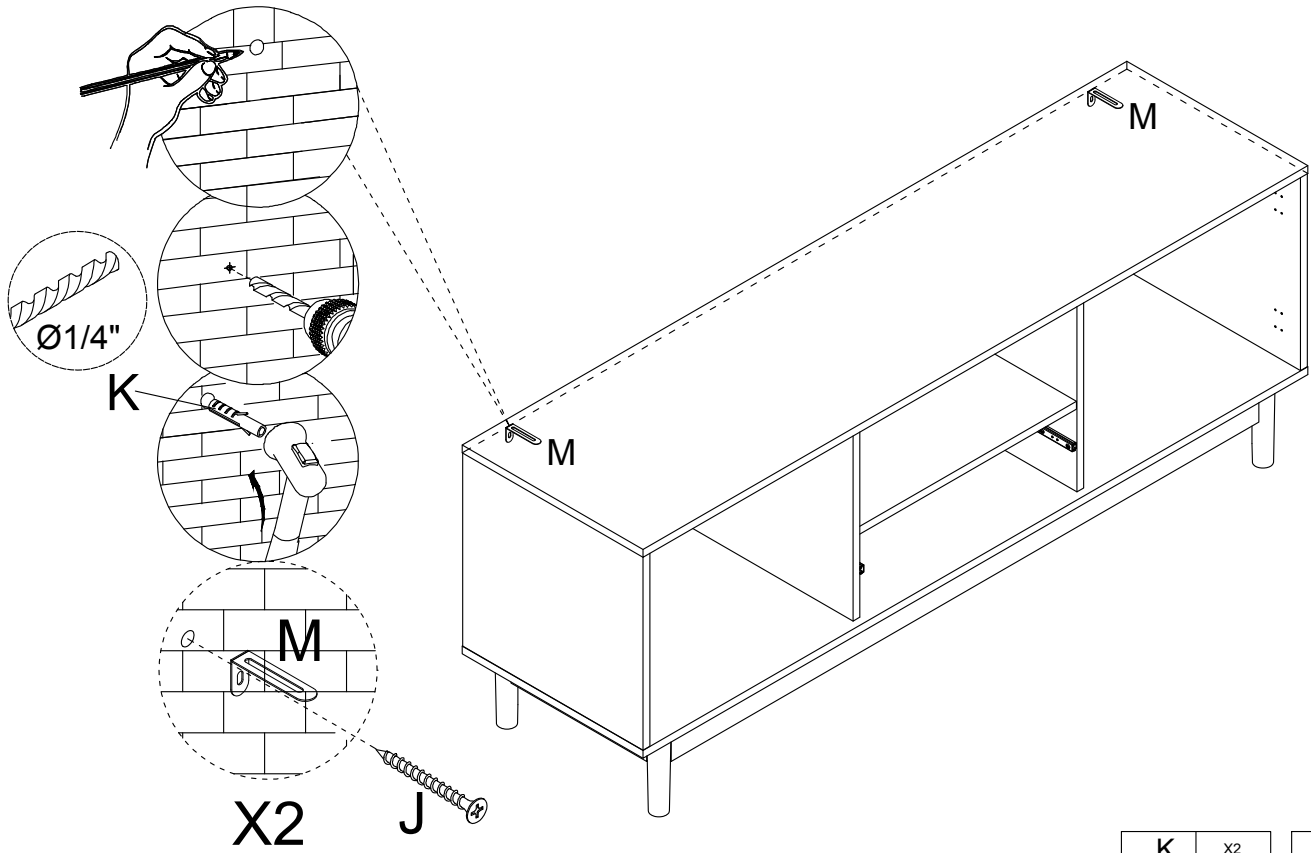
14





P	X4
	

D	X4
	
M3x16mm	

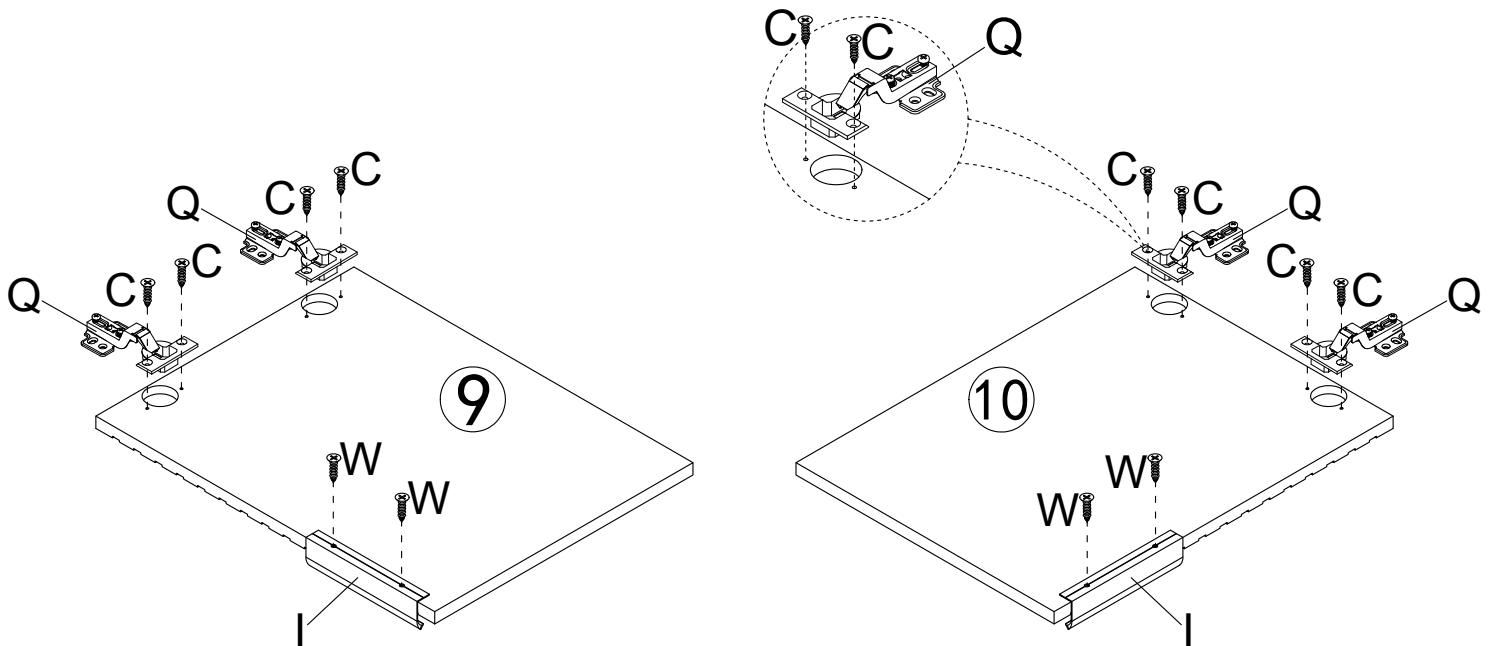
15




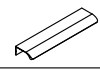
K	X2
	
Ø6x30mm	

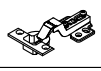
J	X2
	
M4x35mm	


16



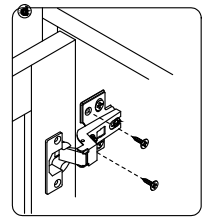
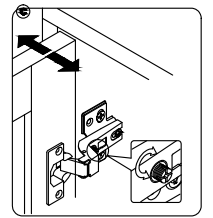
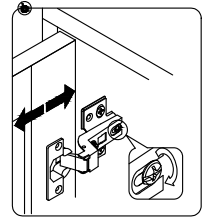
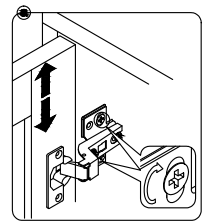
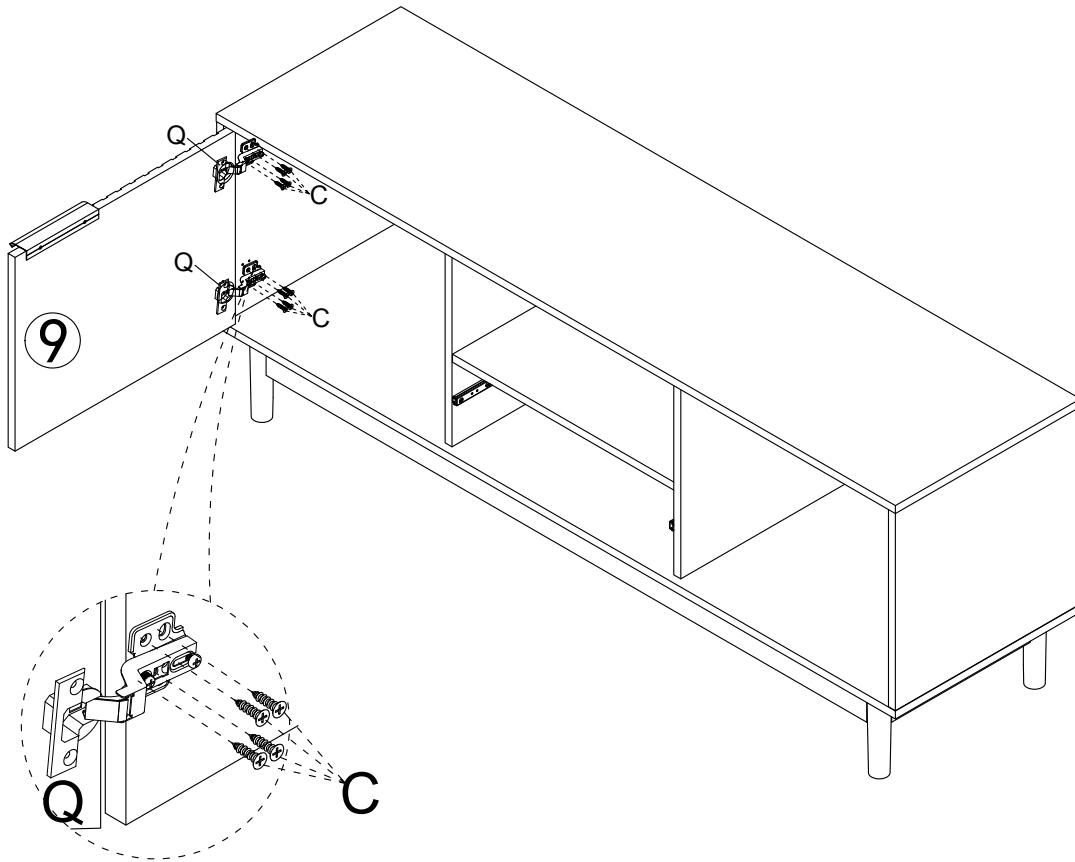
W	X4
	
M3x12mm	


I	X2
	

Q	X4
	

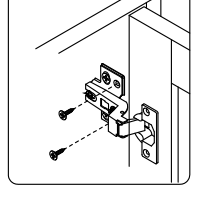
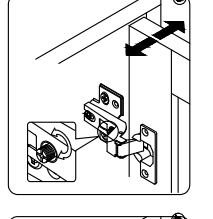
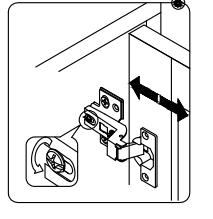
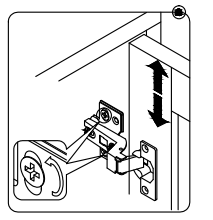
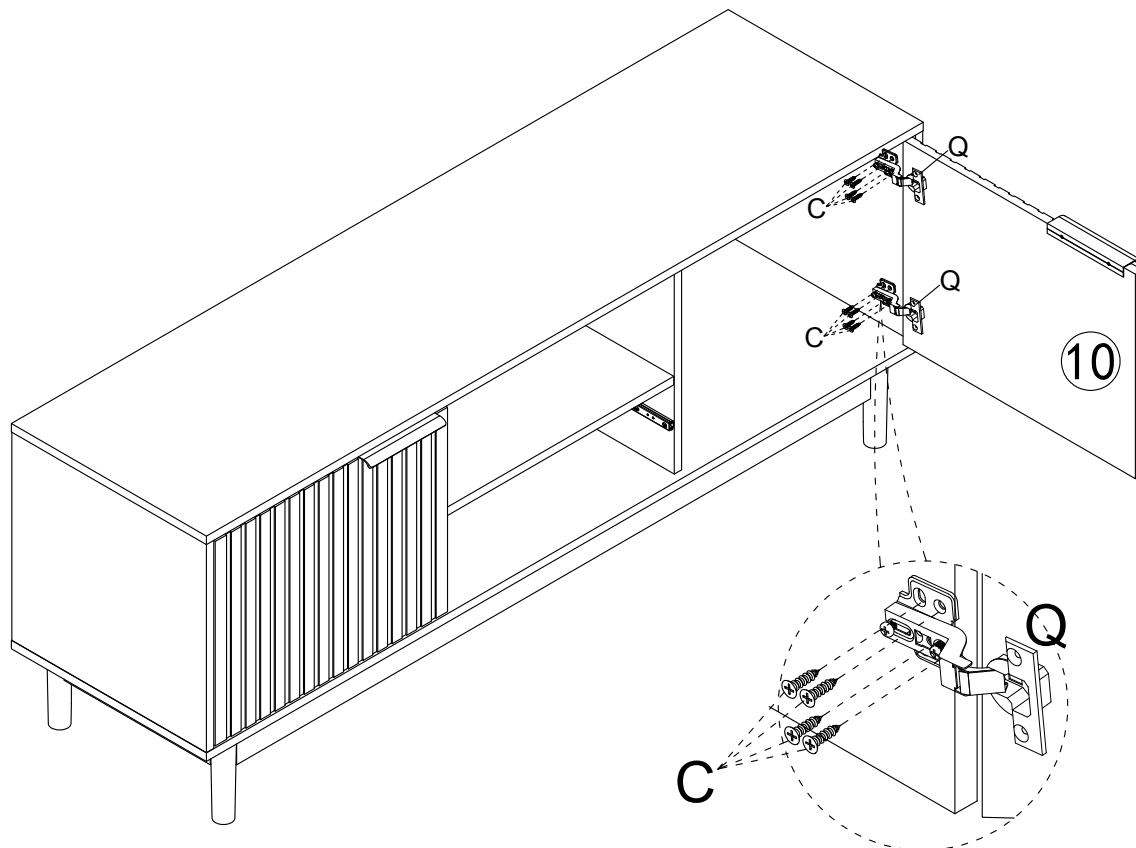
C	X8
	
M3.5x14mm	


17



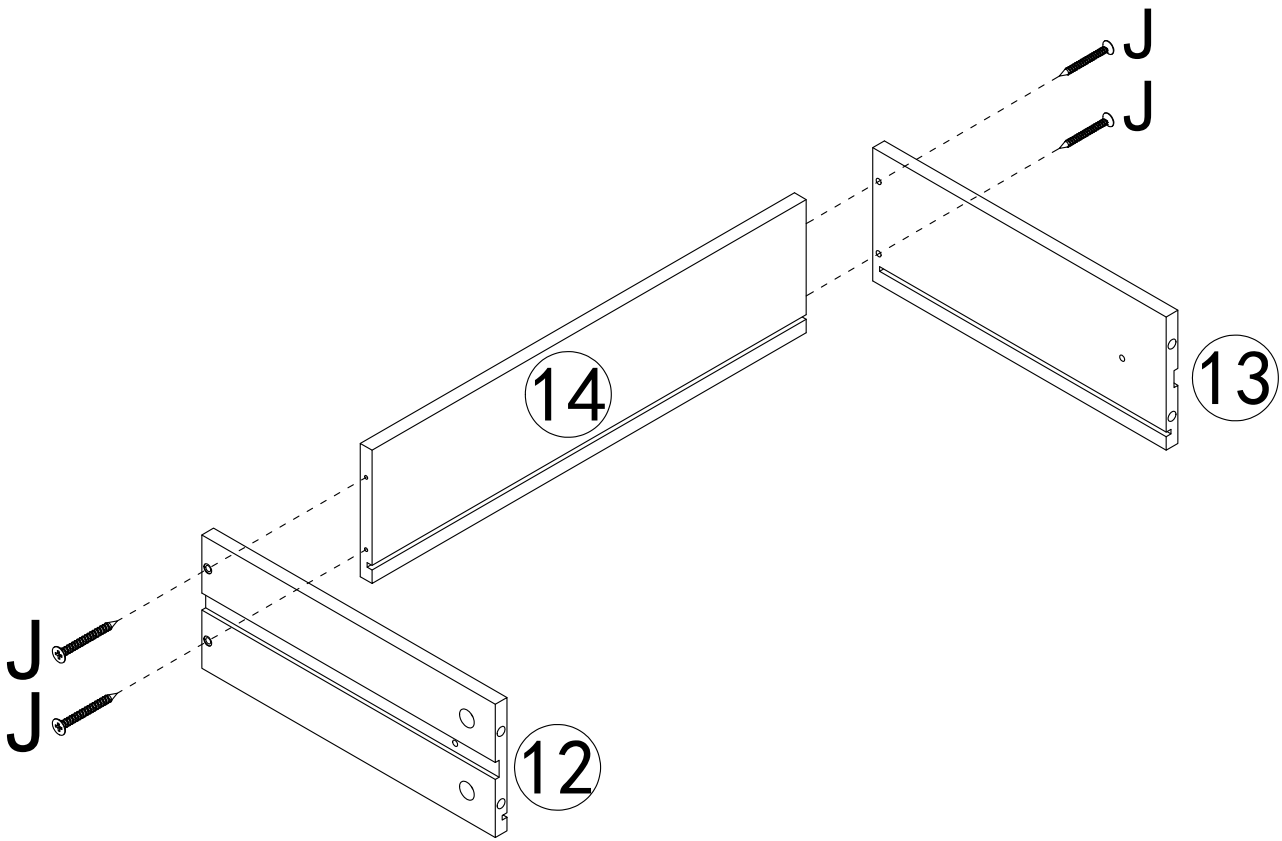
C	X8
	
M3.5x14mm	


18



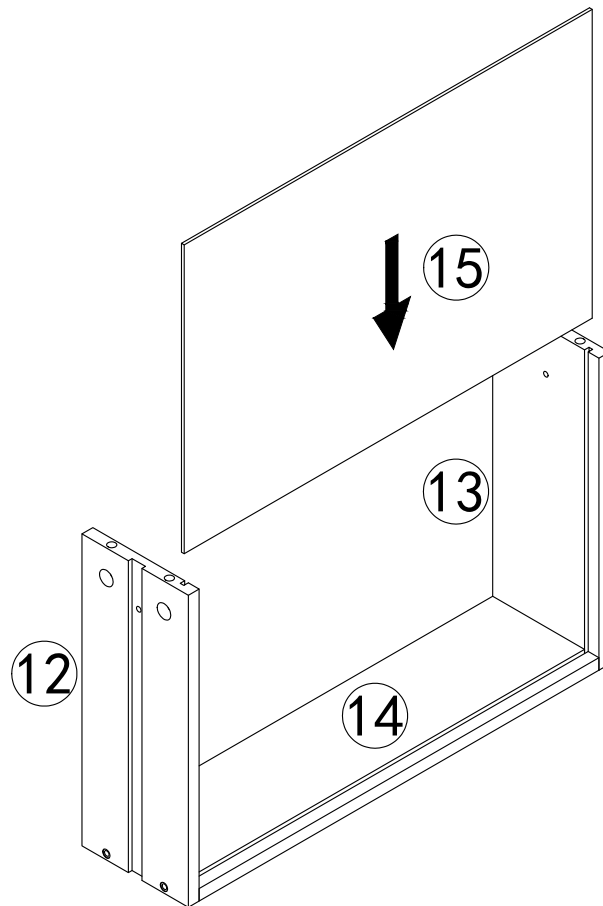
C	X8
	
M3.5x14mm	

19

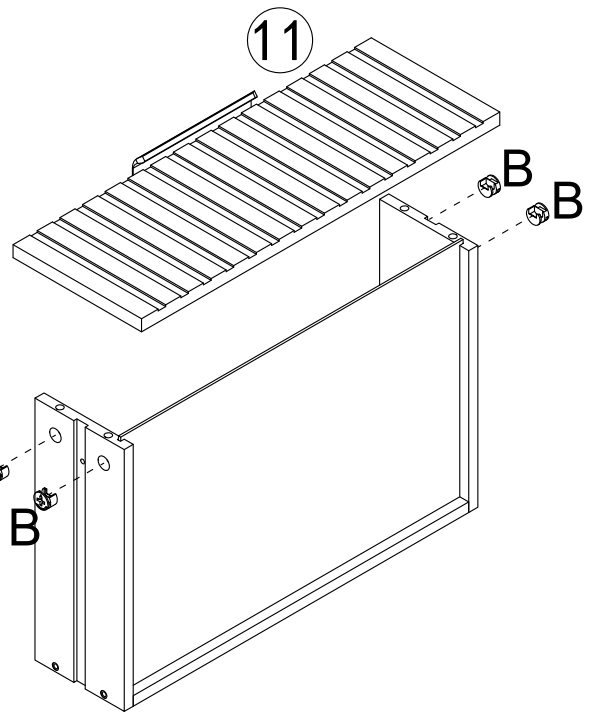
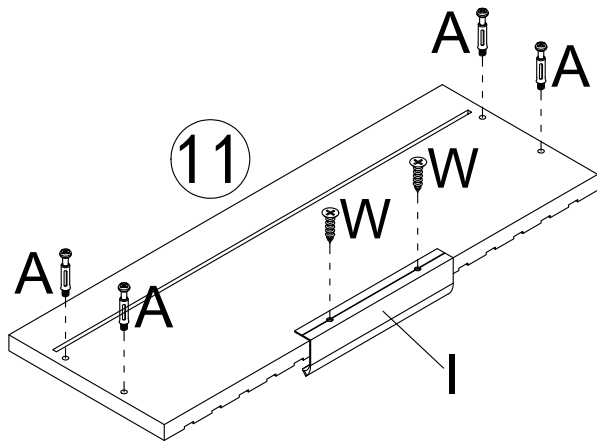
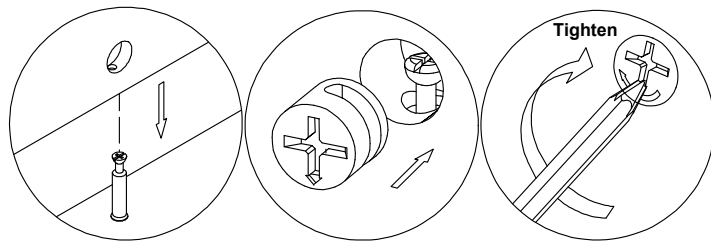


J	x4
	
M4x35mm	

20

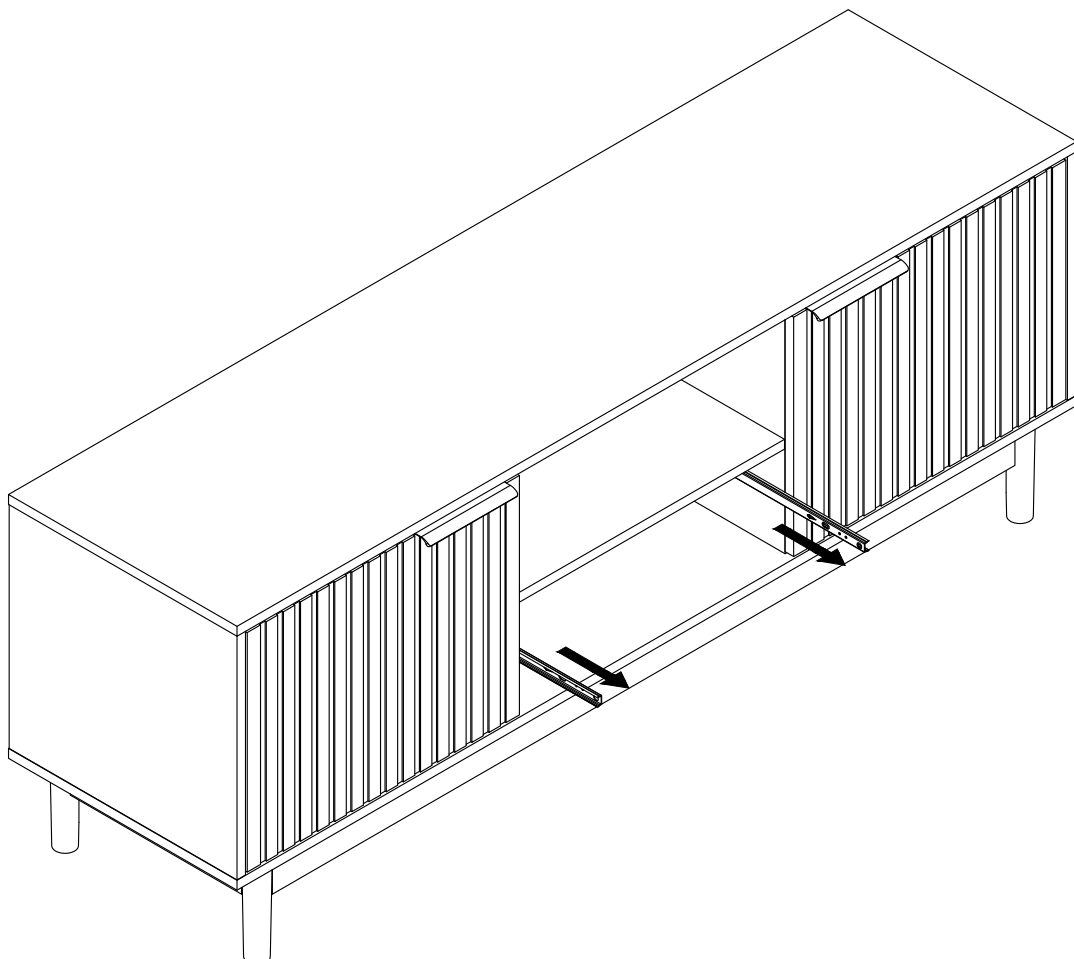


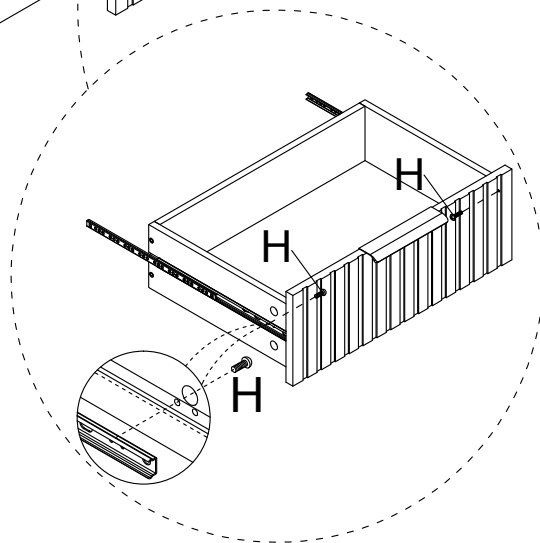
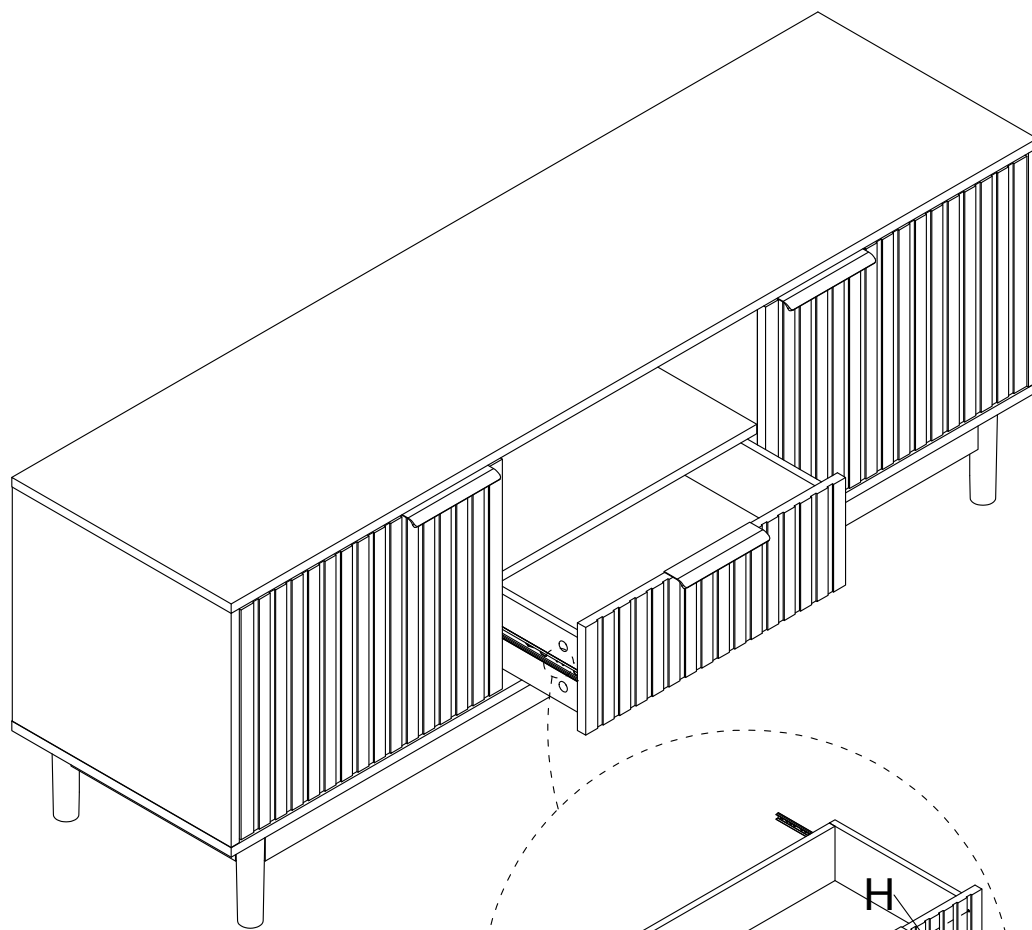
21




I	x1	W	x2	A	x4	B	x4
		M3x12mm		M6x35mm		Ø15x9mm	

22





H	x2
	
M4x10mm	