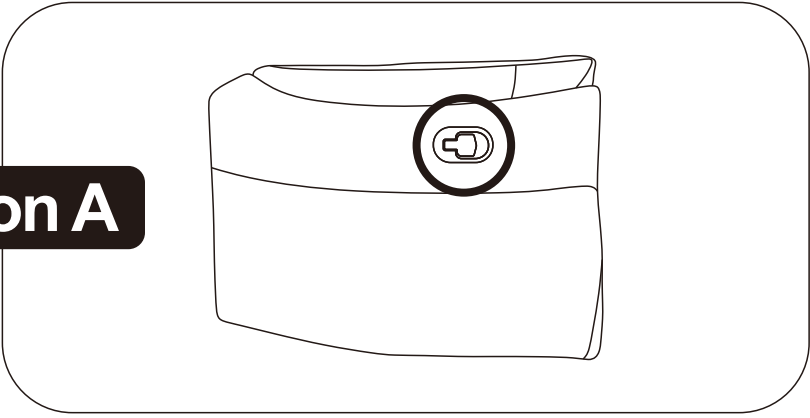
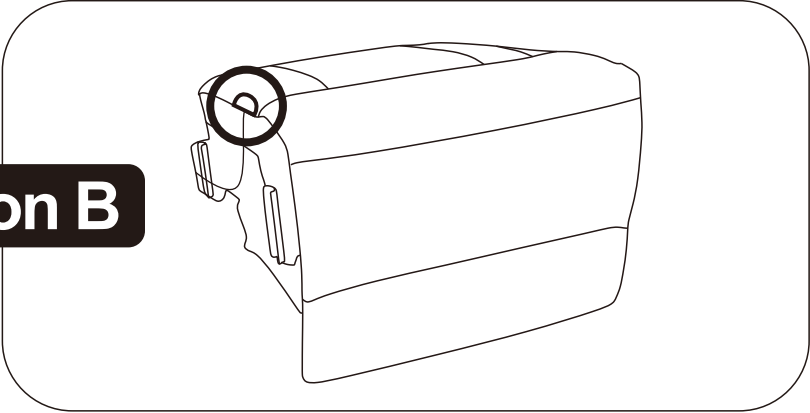


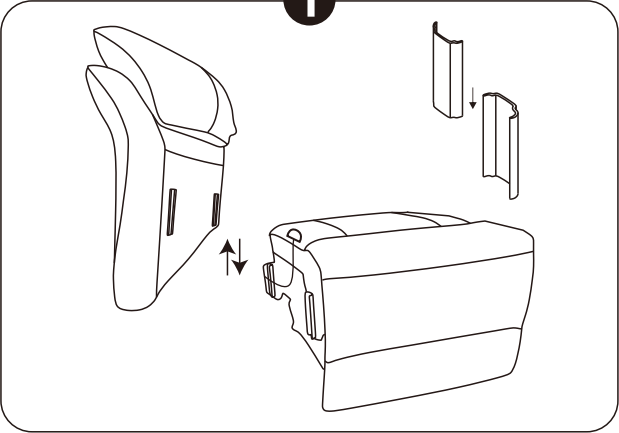
Version A



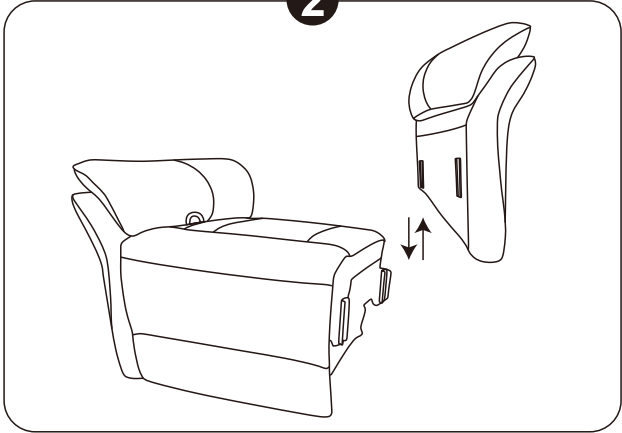
Version B



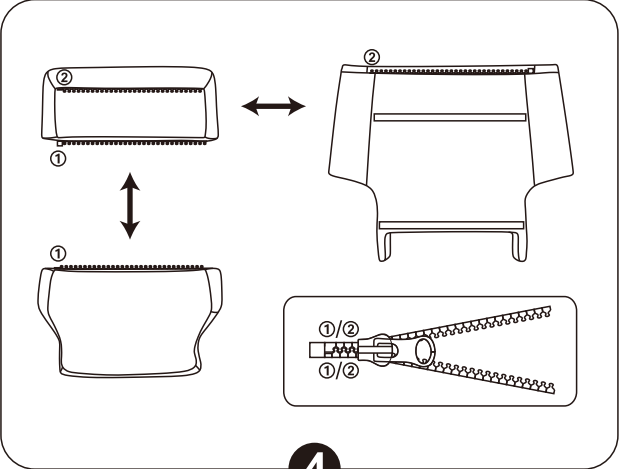
1



2



4



3

