

---

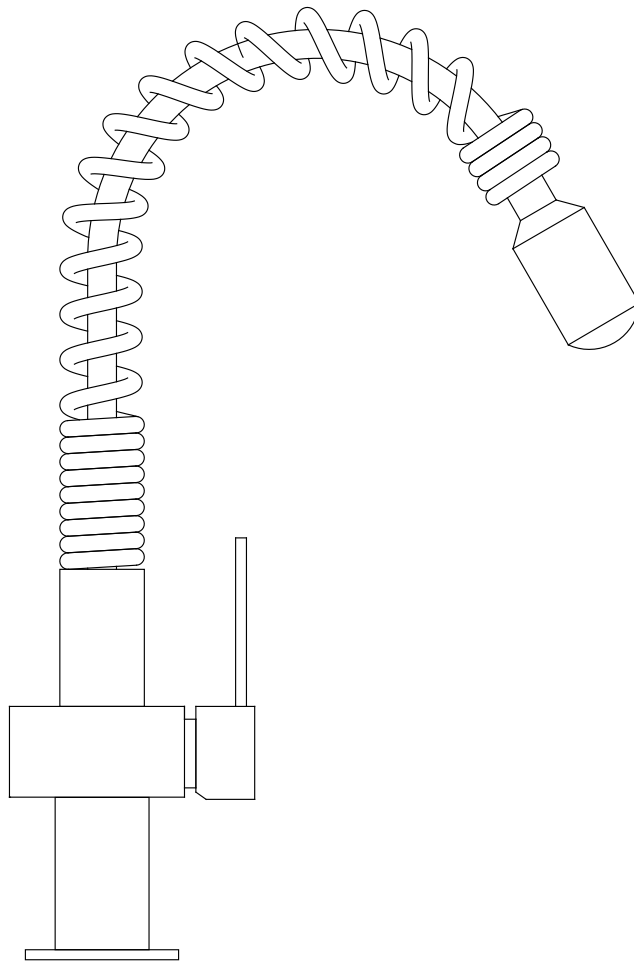
---

**SUMERAIN**<sup>®</sup>

**MODEL: S6026CL**

Version: 1.1

**DATASHEET AND MEASUREMENT**



**SINGLE LEVER KITCHEN FAUCET WITH LED SPRAYER**

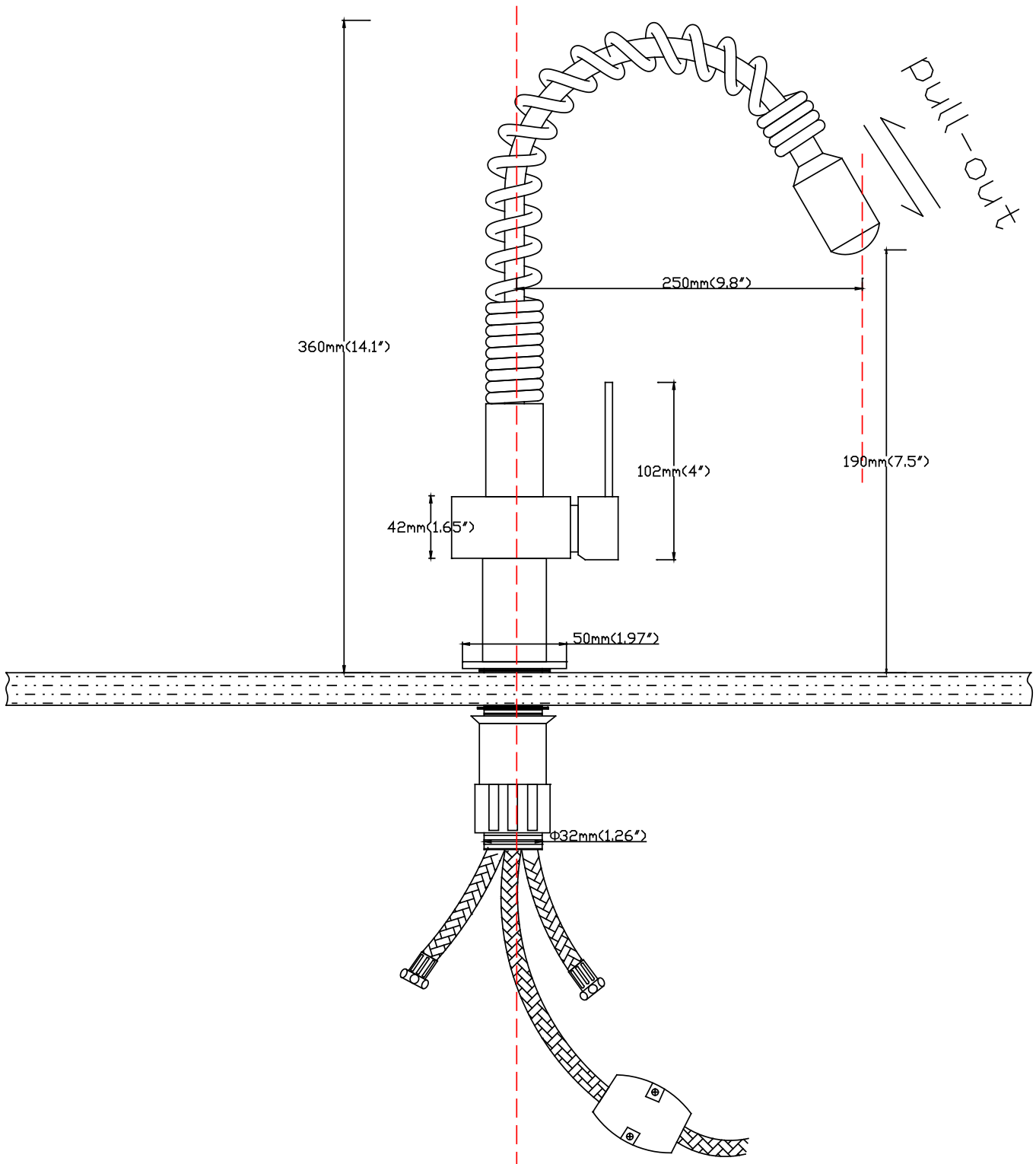
---

---

## Specification

<b>Function</b>	Kitchen Faucets
<b>Feature</b>	LED Thermal
<b>Style</b>	Contemporary
<b>Finish</b>	Chrome
<b>Installation Holes</b>	One Hole
<b>Number of Handles</b>	Single Handle
<b>Faucet Total Height</b>	360mm [ 14.1 Inch]
<b>Spout Spread</b>	250mm [ 9.8 Inch]
<b>Spout Height</b>	190mm [ 7.5 Inch]
<b>Max desk thickness</b>	45mm [ 1.8 Inch]
<b>Valve Type</b>	Ceramic Valve
<b>Faucet Body Material</b>	Brass
<b>Faucet Sprayer Material</b>	Brass
<b>Faucet handle Material</b>	Zinc Alloy
<b>Flow rate</b>	1.5GPM [5.68L/M]
<b>Gross Weight</b>	3.0 KG
<b>Working water press</b>	0.2 ~0.8 Mpa
<b>Power</b>	Water flow generator
<b>LED Color changing</b>	
<b>Water temperature</b>	< 28 °C                      Blue color
<b>Water temperature</b>	28                      °C~ 38 °C      Green color
<b>Water temperature</b>	> 38 °C                      Red color
<b>Packing box size</b>	600mm x 240mm x 70 mm

# DIMENSION





**HONGKONG SUMERAIN SANITARY INDUSTRY CO.,LIMITED**

Address: ROOM 1018, HOLLYWOOD PLAZA 610 NATHAN ROAD MONGKOK, KL  
Factory Address: Shuikou Industrial Park, Kaiping City, Guangdong Province,  
China (Mainland)

Tel: +86-750-2731579

Toll Free: 400-0999-075 (China mainland)

Fax: +86-750-2715258

E-mail: [hk@sumerain.com](mailto:hk@sumerain.com)

**SUMERAIN INTERNATIONAL GROUP – AMERICA Branch**

Address: 13455 Harper Dr.  
Saratoga, CA 95070  
USA

Tel: +1-408-867-8884

FAX: +1-408-867-4272

E-mail: [us@sumerain.com](mailto:us@sumerain.com)