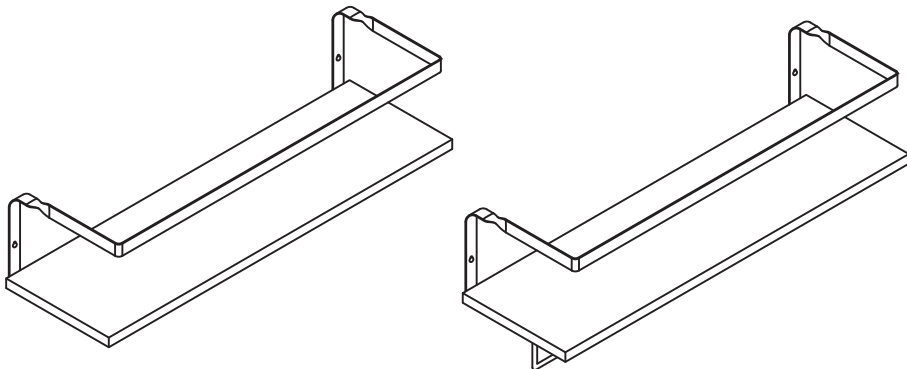


# Floating Shelf Instruction Manual



Thank you for choosing this product. we strive to provide you with the best quality products and services in the industry. Should you have any issues, please don't hesitate to contact us .

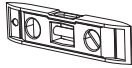
## IMPORTANT SAFETY INFORMATION

- Check package contents against supplied parts and hardware list to assure that all components were received undamaged. Do not use damaged or defective parts. If you require replacement parts, please contact us.
- Carefully read all instructions before attempting installation. If you do not understand the instructions or have any concerns or questions, please contact us.
- Not all parts and hardware included will be used.
- Using with caution because this product may contain moving parts.
- Do not use this product for any purpose that is not explicitly specified in this manual. Do not exceed weight capacity. We cannot be liable for damage or injury caused by improper mounting, incorrect assembly or inappropriate use. Thank you for your understanding.

## Tools Needed (Not Included)



Stud Finder



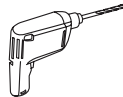
Level



Pencil



Screwdriver



Drill

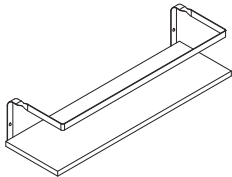


5/64 in.(2mm)  
Wood Drill

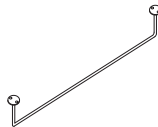


15/64 in.(6mm)  
Concrete Drill

## Supplied Parts and Hardware List



Metal Frame  
with Shelf  
**01** x2



Towel Rack  
**02** x1



Screw  
**03** x4



Long Lag Screw  
M4x50mm  
**A** x4



Short Lag Screw  
M4x30mm  
**B** x4

### Wall Anchor



### ⚠ CAUTION!

This wall anchor is for drywall ONLY. DO NOT use them in concrete / brick / wood studs wall.

M13x40mm  
**C** x4

### Wall Anchor



### ⚠ CAUTION!

This anchor is for concrete or brick walls ONLY. DO NOT use them in drywall or wood stud wall.

ø6mmx4mmx30mm  
**D** x4

### ⚠ NOTE:

- This shelving system is for designed for use in wood stud, dry wall, solid concrete, and concrete block walls.
- For drywall mounting, please use wall anchors [C].
- For wood stud mounting, wall anchors [C] and [D] are not necessary.
- For concrete concrete or concrete blocks wall mounting, please use wall anchors [D]

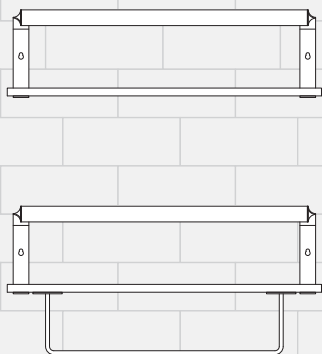
# Installation Locations for the Floating Shelves

## Note:

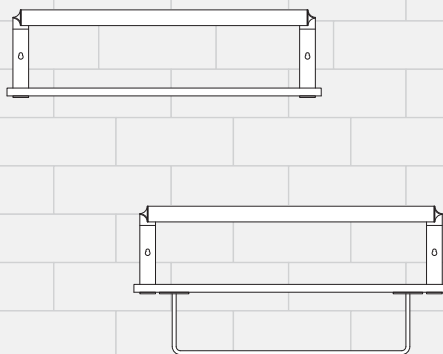
1. For the convenience to fetch something, please leave proper distance between the two floating shelves before installation.
2. If you want to install the two floating shelves vertically, please install the the floating shelf with towel rack under the floating shelf without towel rack and leave a proper distance between the two floating shelves.

Here are four popular options for the installation locations of the two floating shelves:

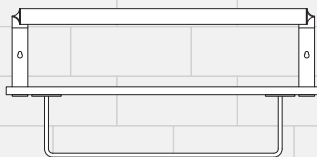
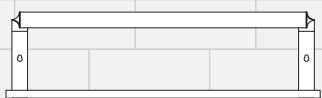
### Option A



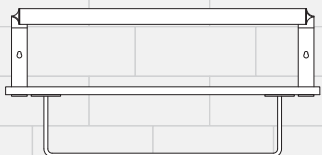
### Option B



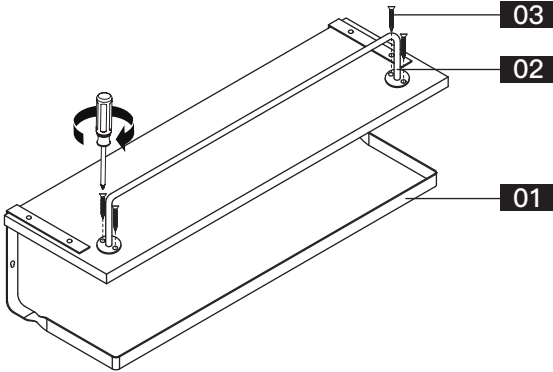
### Option C



### Option D



## Step 1 Secure the Towel Rack [02] to the Shelf on the Metal Frame [01]



Secure the towel rack [02] to bottom of the shelf using four short screw [03].

## Step 2 Secure Metal Frame with Shelf to Wall

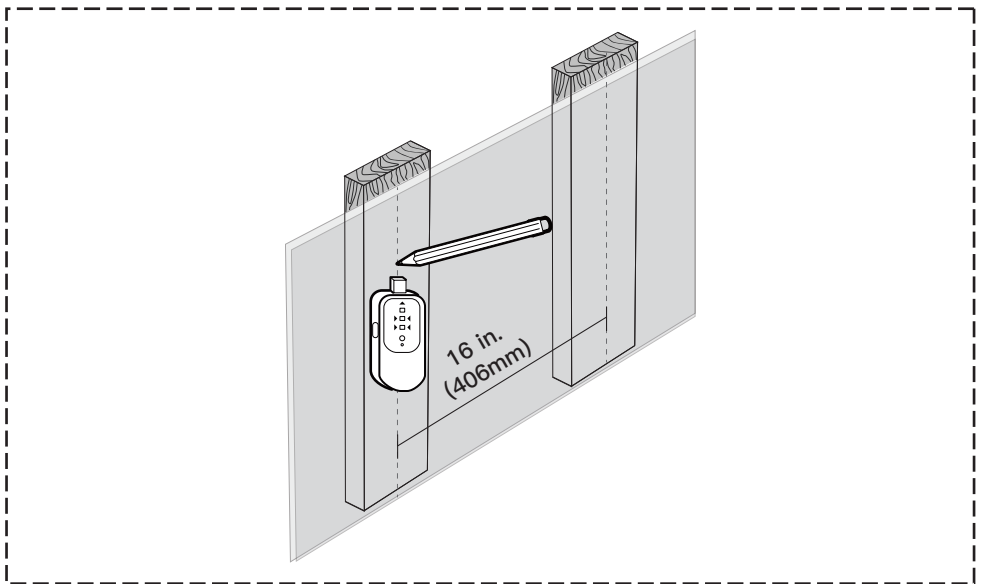
Before installation, please identify your wall type.

For wood stud installation, follow the step 2A.

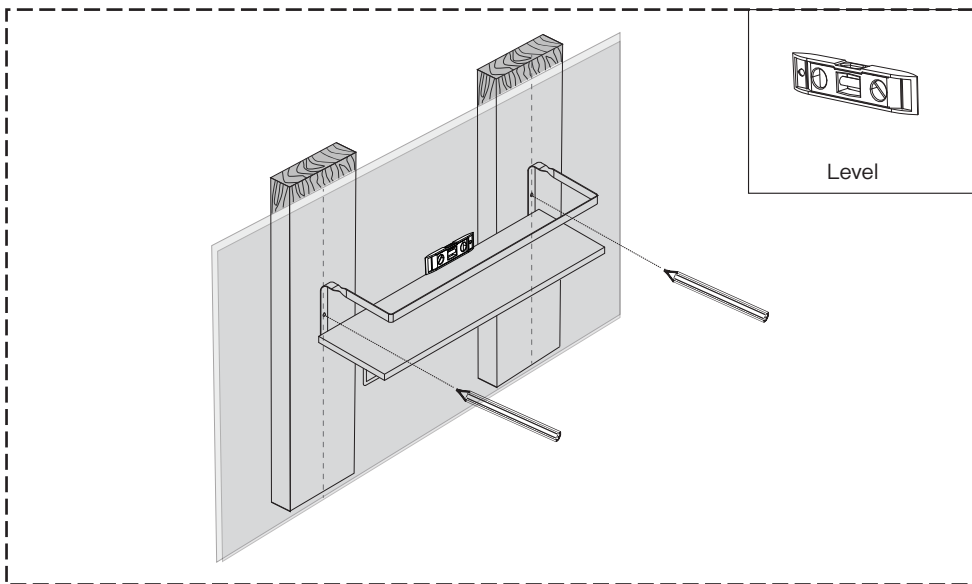
For drywall installation, follow the step 2B.

For solid concrete and concrete block walls installation, follow the step 2C

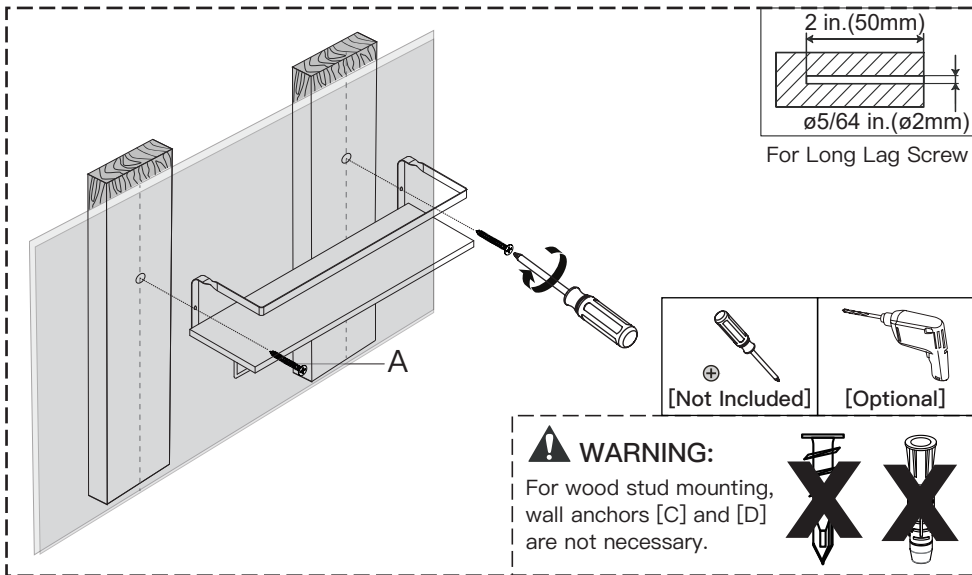
### Step 2A For Wood Stud



Use a stud finder(not included) to locate wood studs. Mark the edge and center locations.

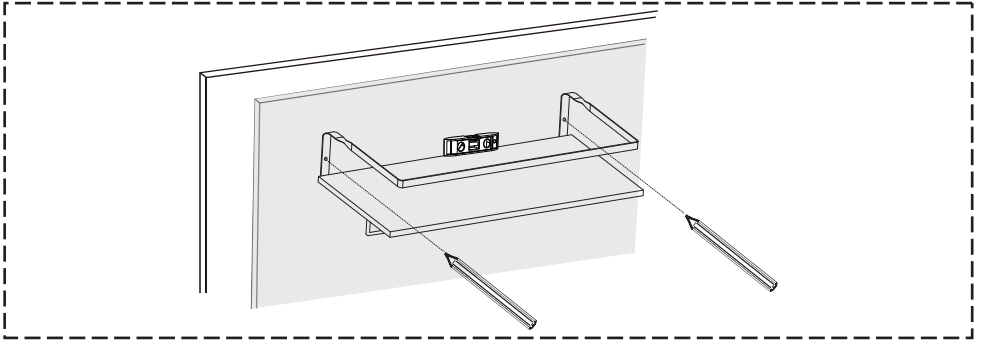


Position the metal frame with shelf at your desired height and line up the holes with your stud center line. Level the shelf and mark the holes.

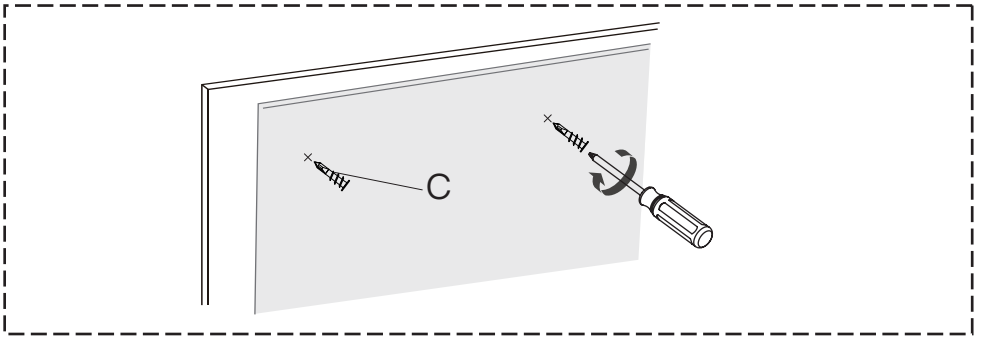


Install the metal frame with shelf using long lag screw [A]. Tighten long lag screws [A] with the screwdriver (not included). If you feel it is difficult to install the long lag screws [A] to wall, you can simply use a 2mm(5/64 in.) drill bit to drill 2 pilot holes for the long lag screw [A]. Tighten the long lag screw [A] only until the long lag screw [A] is pulled firmly against the metal frame.

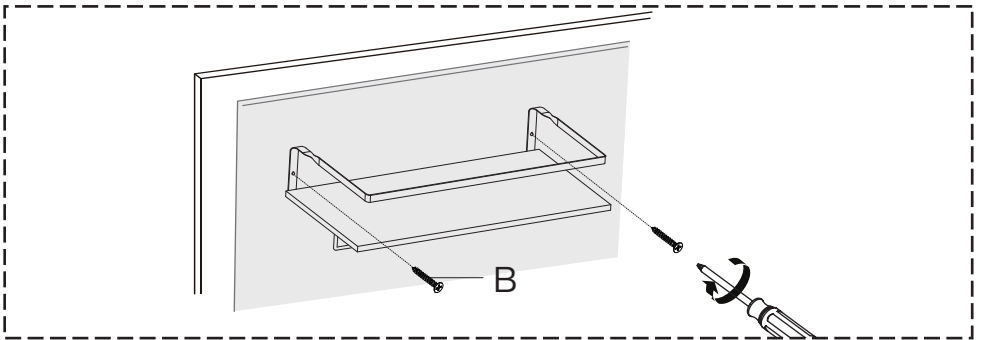
## Step 2B For Drywall



Position the metal frame with shelf [01] at your desired height and make sure the metal frame with shelf [01] is level and flush to the drywall. Mark the holes for the wall anchors [C].

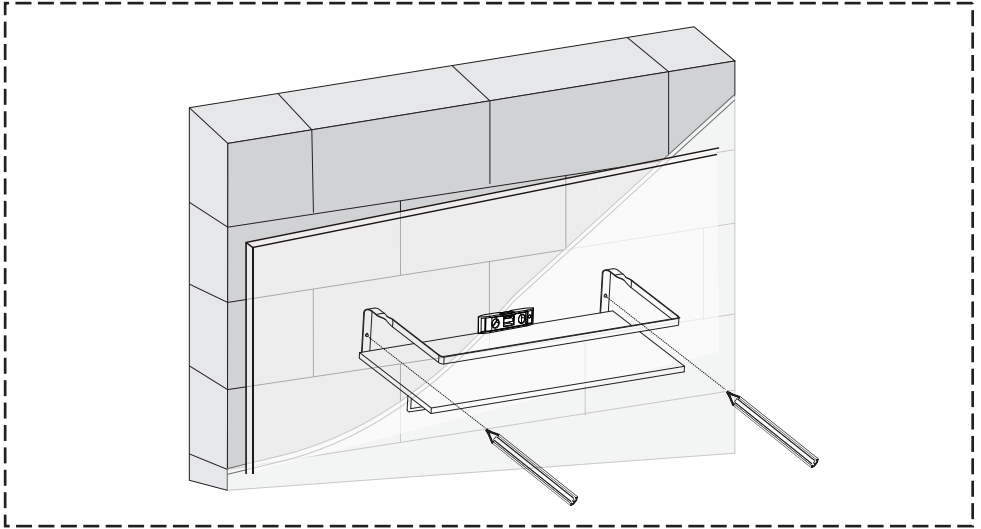


Press and screw wall anchors [C] into the drywall using a screwdriver and turn clockwise. Make sure that wall anchors [C] are flush with the wall.

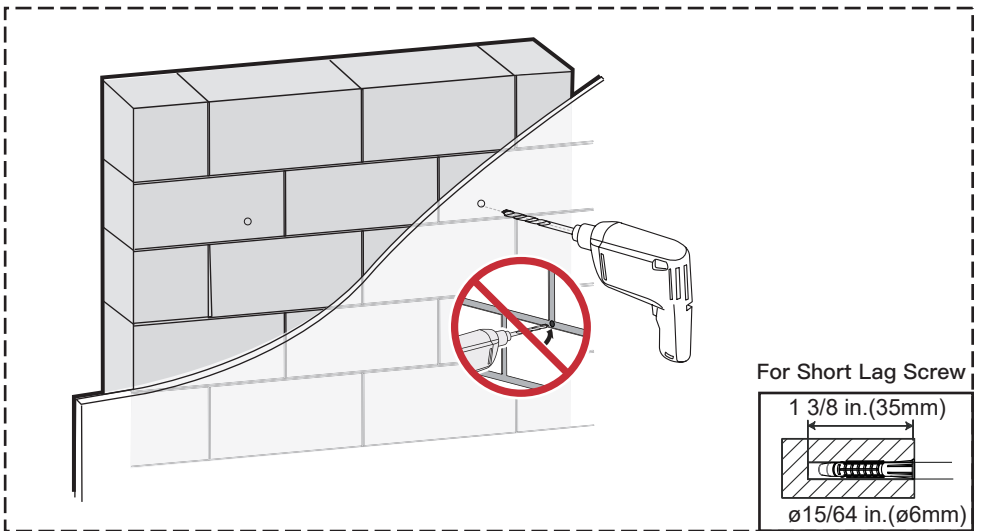


Install the metal frame with shelf [01] using short lag screws [B] and wall anchors [C], tighten short lag screws [B] until they are pulled firmly against the metal frame.

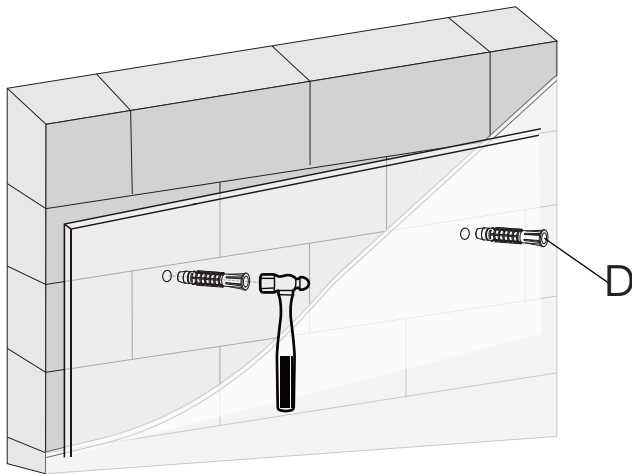
## Step 2C For Solid Concrete and Concrete Block Walls



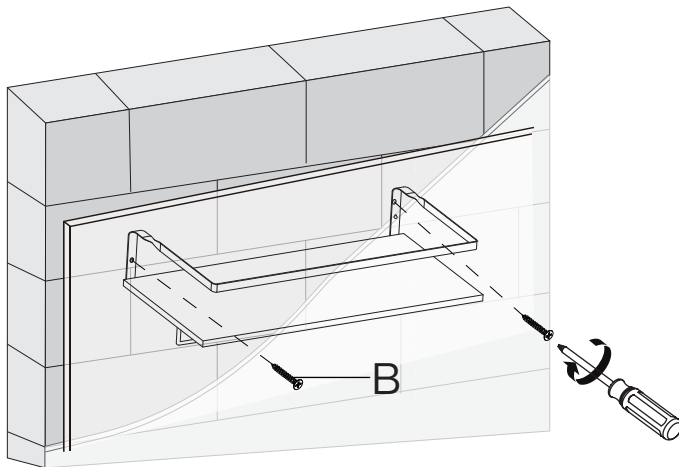
Position the metal frame with shelf [01] at your desired height and make sure the metal frame with shelf [01] is level and flush to the solid concrete and concrete block walls. Mark the holes for the wall anchors [D].



Drill 2 pilot holes using a 15/64 in. (6mm) diameter drill bit. Make sure the depth is not less than 1 3/8 in. (35mm). Never drill into the mortar between blocks.



Use the hammer to knock wall anchors [D] into the wall. Make sure the anchors [D] are seated flush with the concrete surface.



Install the metal frame with shelf [01] using short lag screws [B] and wall anchors [D], tighten short lag screws [B] until they are pulled firmly against the metal frame.