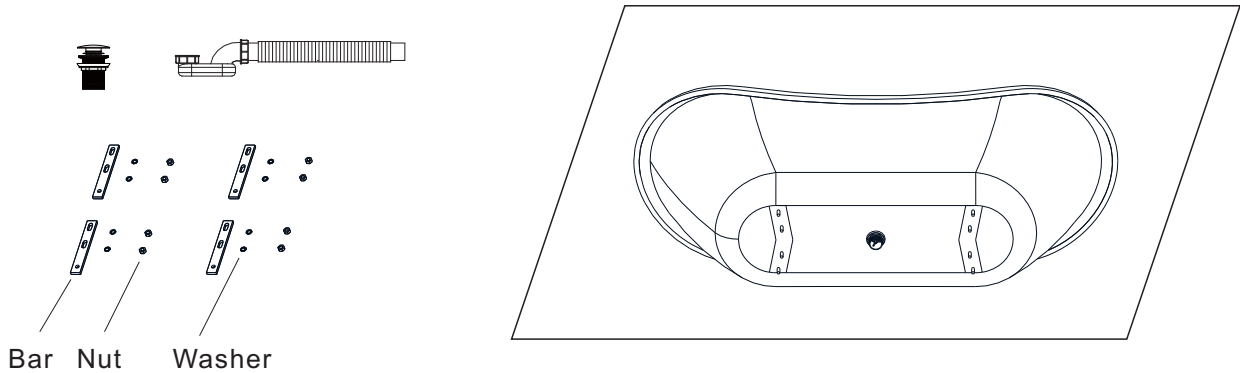


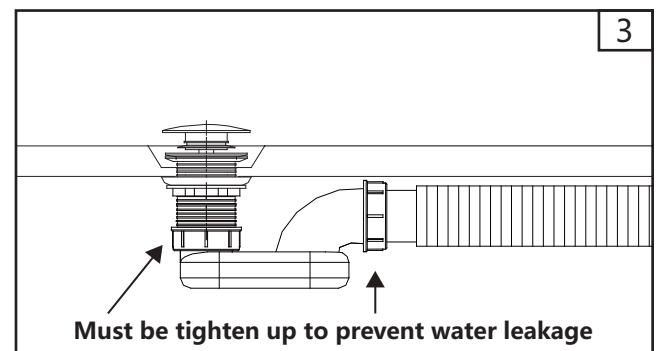
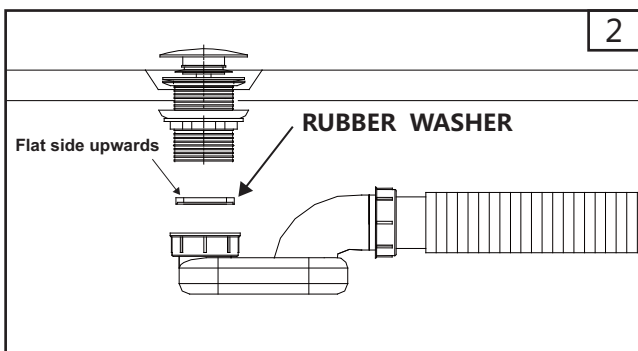
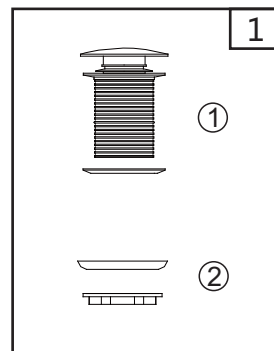
Freestanding Bath with metal feet

Instructions&Maintenance

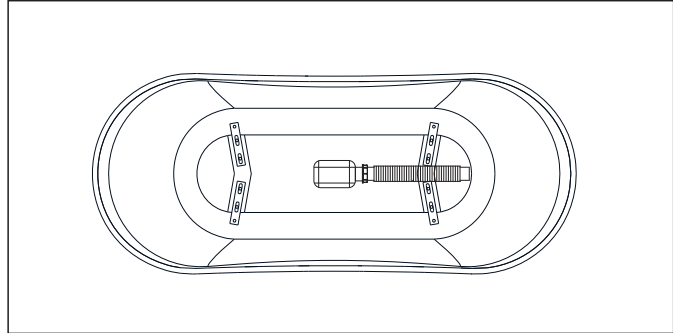
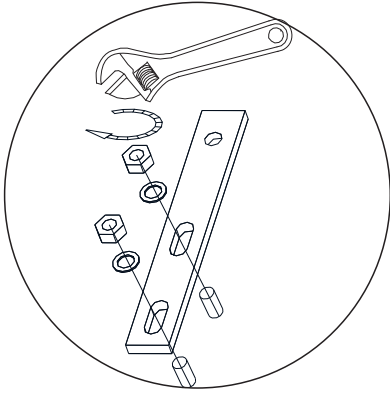
- 1 .Take the bathtub out of the pallet,lay the bath side on the floor ,make sure it is protected from scratches, don't set it on the floor directly .Take all parts out of the box,and then inspect the bathtub surface and all parts for damage and missing prior to installation, prepare the tools : Levelling instrument, Adjustable wrench .



- 2.Assemble the drainer as below diagram, put this part ① on the drainer hole, put this part ② under the drainer hole,must be tighten up to prevent water leakage. Installing the drain hose as the below 2 and 3 diagram (attention: there is a waterproof rubber washer on the drain hose ,please put flat side upwards for the washer as the 2 diagram,and then tighten the drain hose on the end of drainer as the 3 diagram).



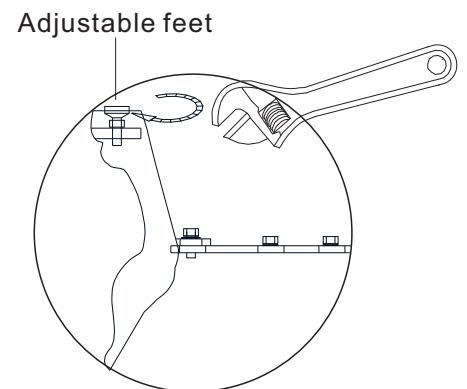
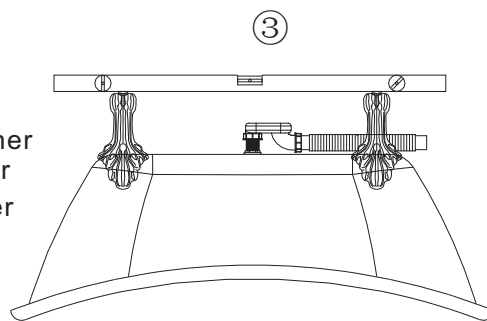
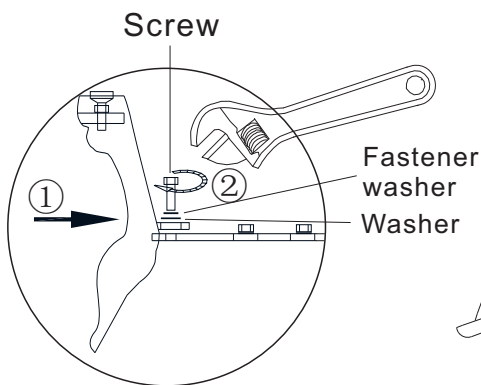
3. *Lay the bath top on the floor, make sure it is protected from scratches.
- *Unscrew nuts and washers from the bath (these are pre-assembled on bath).
- *Put the bars on the bath, position nuts and washers, then fasten the nuts but not tighten them, because the bars need to be adjusted during assembling.



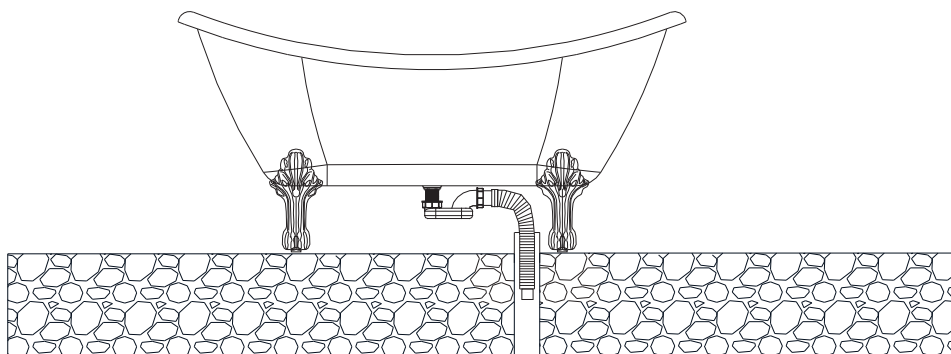
4. *Follow the picture ① instructions, position the feet to the corner of the bath, make sure the feet fit the bath well (there is no big gap between bath and feet, the bar needs to be adjusted to achieve a good fit).

*Follow the picture ② instructions, once the feet have been adjusted to a good position, tighten the screws on the bar to fix the bar, do not move away the feet. Then use screw to fix the feet on the bar, the feet must be secured fully to prevent any movement.

*Follow the picture ③ instructions, check if the ground is flat or not by using the levelling instrument, if the ground is not flat, please use the adjustable wrench to unscrew the nut on the feet, adjust the feet to a proper height, and then tighten the nut.



5. Position the bathtub to the confirmed place (before placing the bathtub, please make sure the ground is flat), at last, please put the end of drain hose into the floor drain as below picture.



Receive Your Bath

A) Unpack and check for damage.

After receiving your bath, please unpack and remove all covering, checking whether there is any damages. Repack the bath if it is not being immediately installed. It will be rejected any claim for damage if not notified in a timely manner.

B) Protect your bath.

Before commencing installation, ensure the bath is completely protected, leave covering in place until the bathroom is complete. Scratches and cracks incurred during installation are not covered by the warranty.

Cleaning & Maintenance:

A) To preserve the polished surface, after using your bath, clean with soft cloth and warm soapy water to wash away any body oils or soap residue that forms a ring tide mark.

B) Do not use powders, pastes, crème cleaners, thinners, window cleaning sprays or dry cleaning liquid, etc.

C) When coloured essentials oils are used, first test that the colour won't stain your bath. Always add oils into a bath full of water. Never pour them into a empty bath.

Important:

A) Freestanding bath is not designed to take weight on the rim.

Do not sit or stand on the bath rim.

B) Please retain this manual after installation for future reference and maintenance.

C) Two people are required for installation