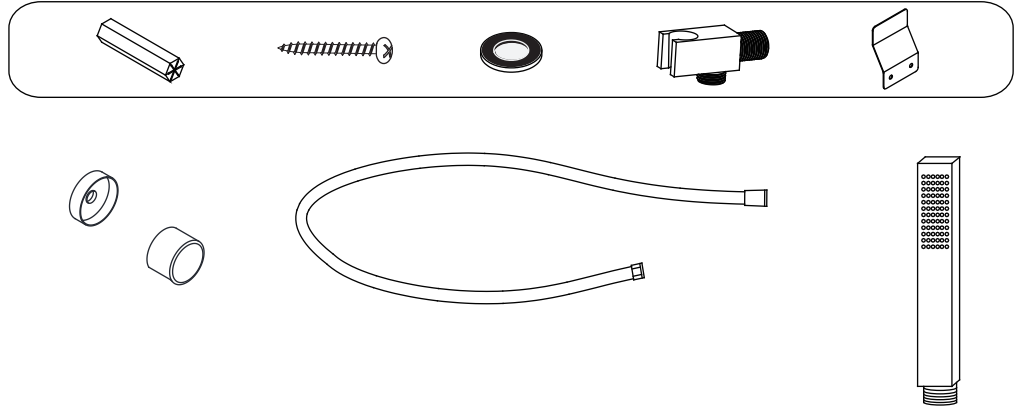


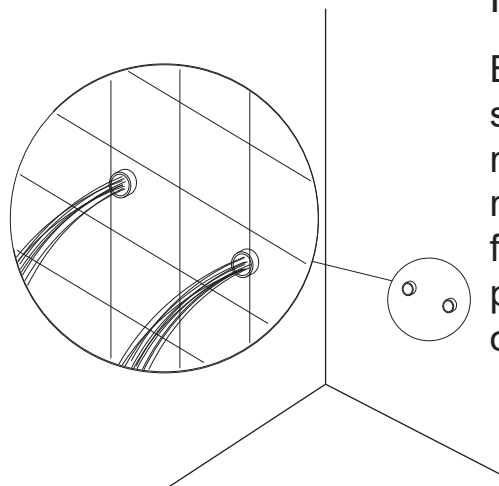
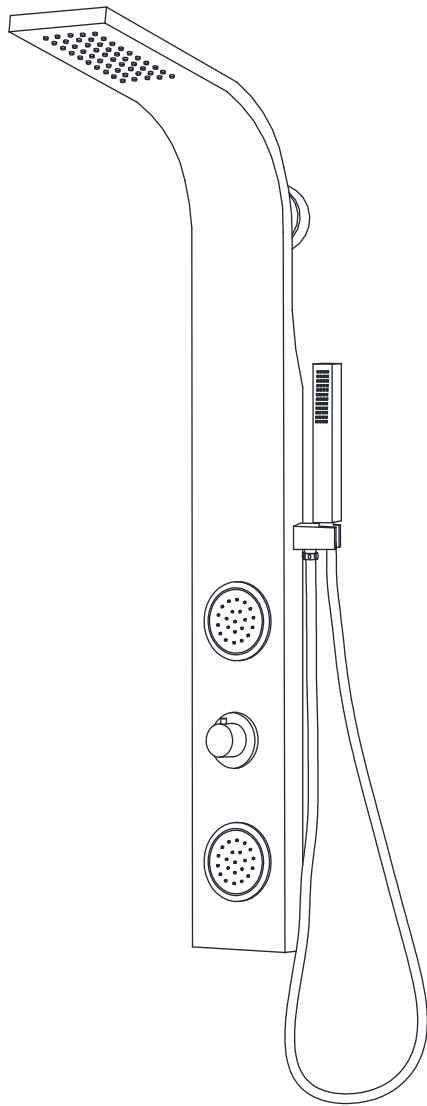
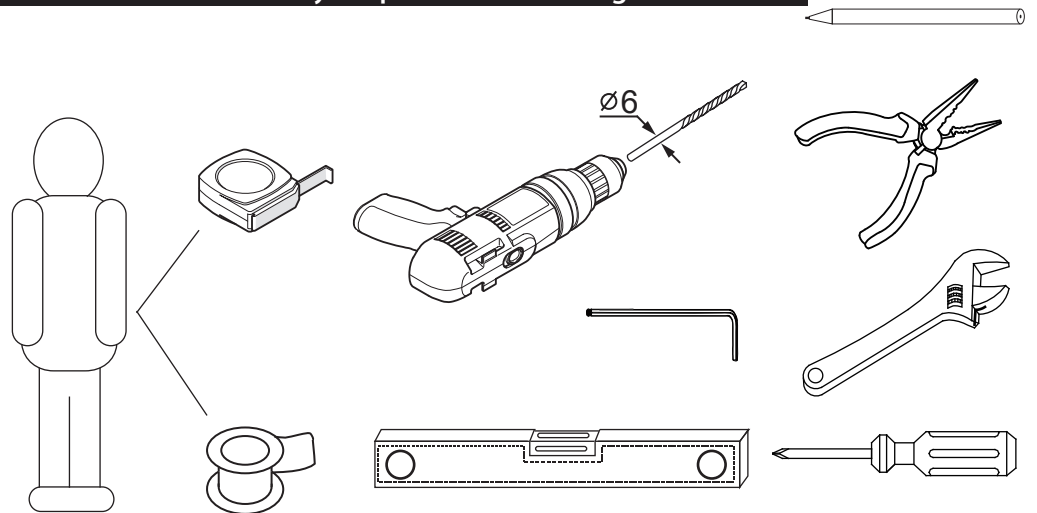
# 88213 INSTALLATION GUIDE

## Parts List

Please unpack and inspect all packages and components carefully, and make sure they are complete. Examine for shipping damage. If some parts are damaged or missing, notify your dealer immediately.



## For Installation You may Require the Following Tools

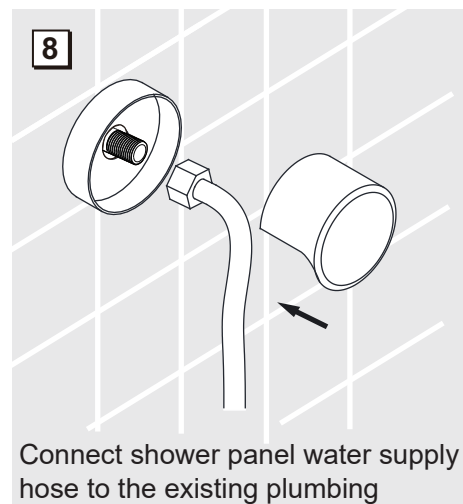
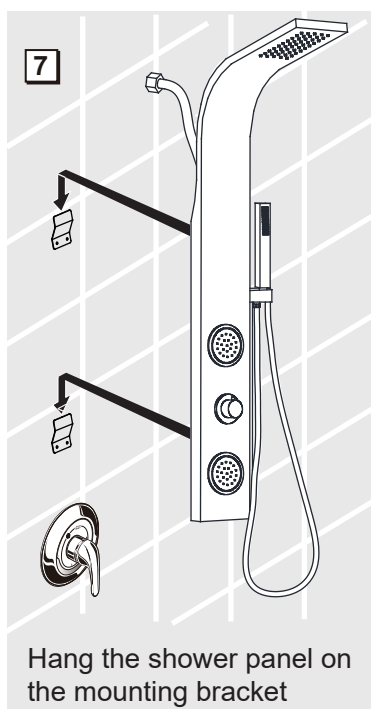
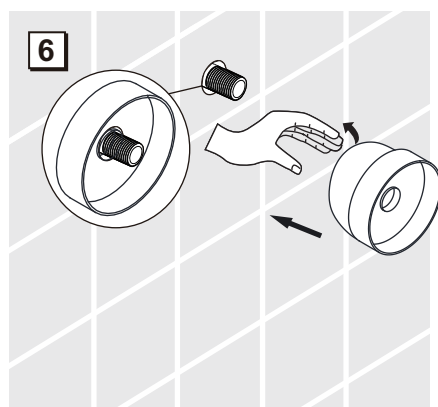
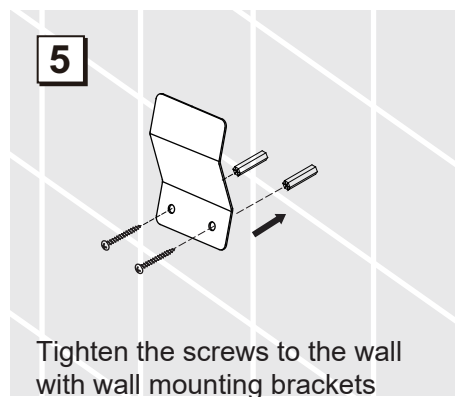
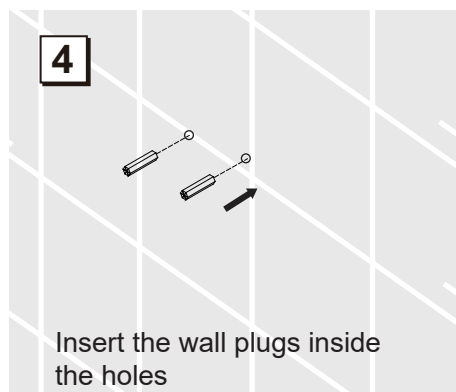
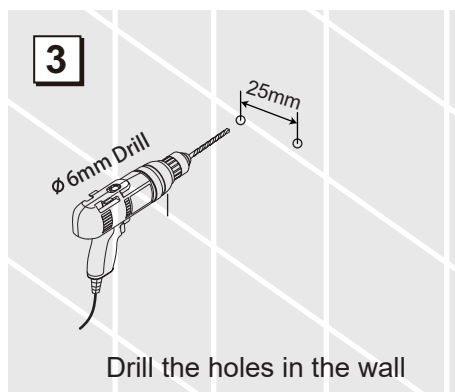
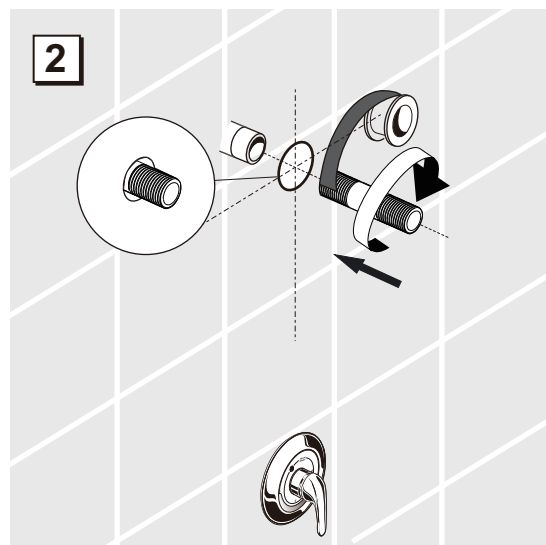


## Note!

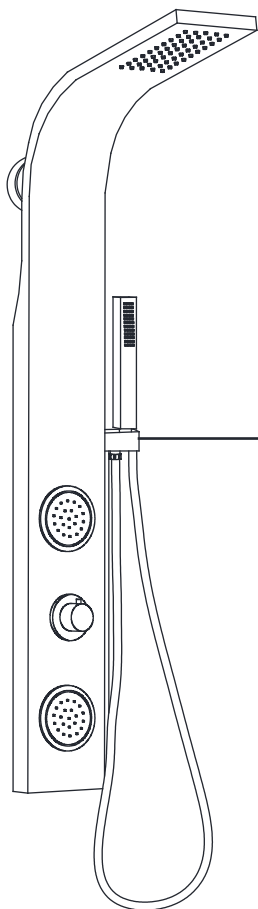
Before assembly, flush the water supply pipes thoroughly to remove debris (allow the water to run with the main stopcock open for about 3 mins), otherwise dirt particles might affect the function of the shower panel!

**Note!** Most of shower panels not only can be mounted on the tile,marble or other flat wall, but also can be mounted against the wall corner.

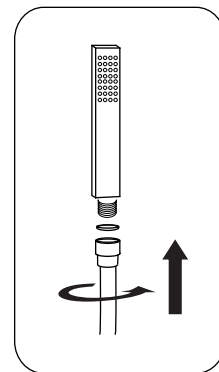
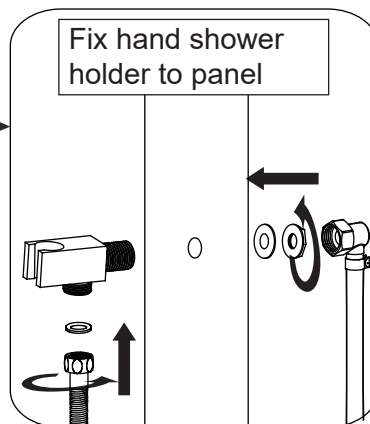
Your item may appear slightly different from the illustration



**Note!** The shower panel is for indoors use only. For outdoors use please refer to the outdoors shower panel series.



Don't forget to place the Teflon Tape and rubber washer when it is necessary or it might cause water leakage.



Select the shower function required by rotating the control knobs.

