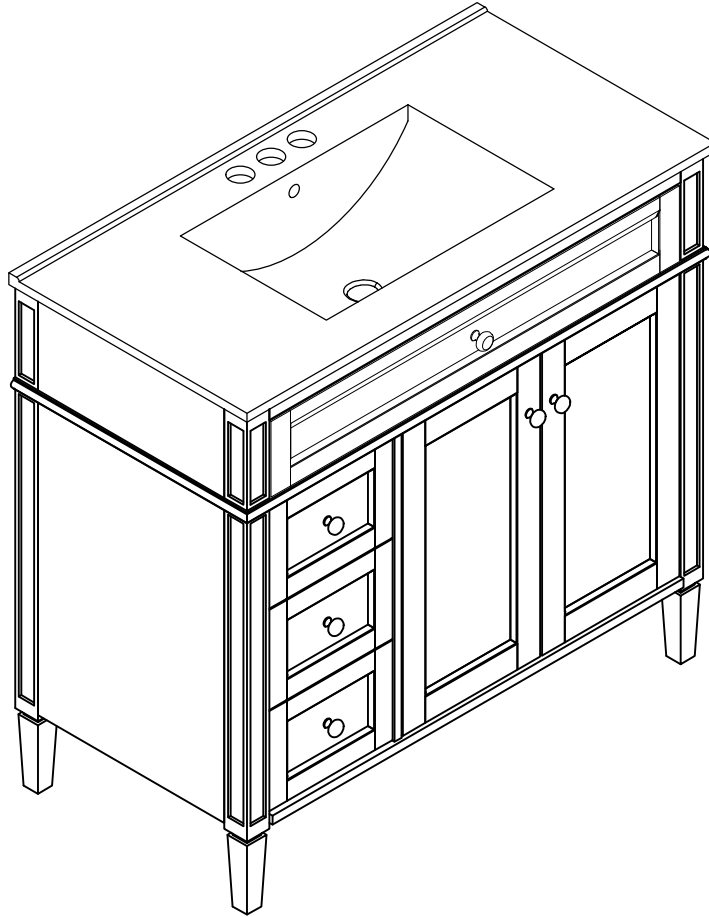


ASSEMBLY INSTRUCTIONS

36 INCH BATH VANITY-CABINET

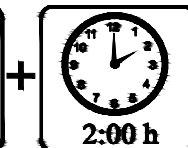
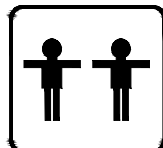
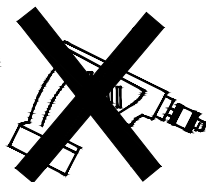


Thank you for purchasing this quality product. Be sure to check all packing material carefully for small parts which may have come loose inside the carton during shipment. Separate, identify and count all parts and hardware.

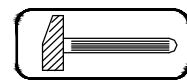
Compare with the parts list to be sure all parts are present.

"DO NOT TIGHTEN SCREWS UNTIL COMPLETELY ASSEMBLED"

*** Use of power tool to assemble this product will invalidate any claim and damage this product making unsafe !!!**
*** Please assemble on a clean soft surface to avoid damage.**



Tools Required



(Not Included)

IMPORTANT:

PLEASE READ INSTRUCTION BEFORE STARTING THE ASSEMBLY

Thank you for buying our products.

Please read the installation manual carefully before installation,

we need you to follow the instructions on the accessories and hardware

step by step assembly complete, our instructions are very detailed.

Products are environmentally friendly products,

Please rest assured that you do not soak in water, do not place very heavy items,

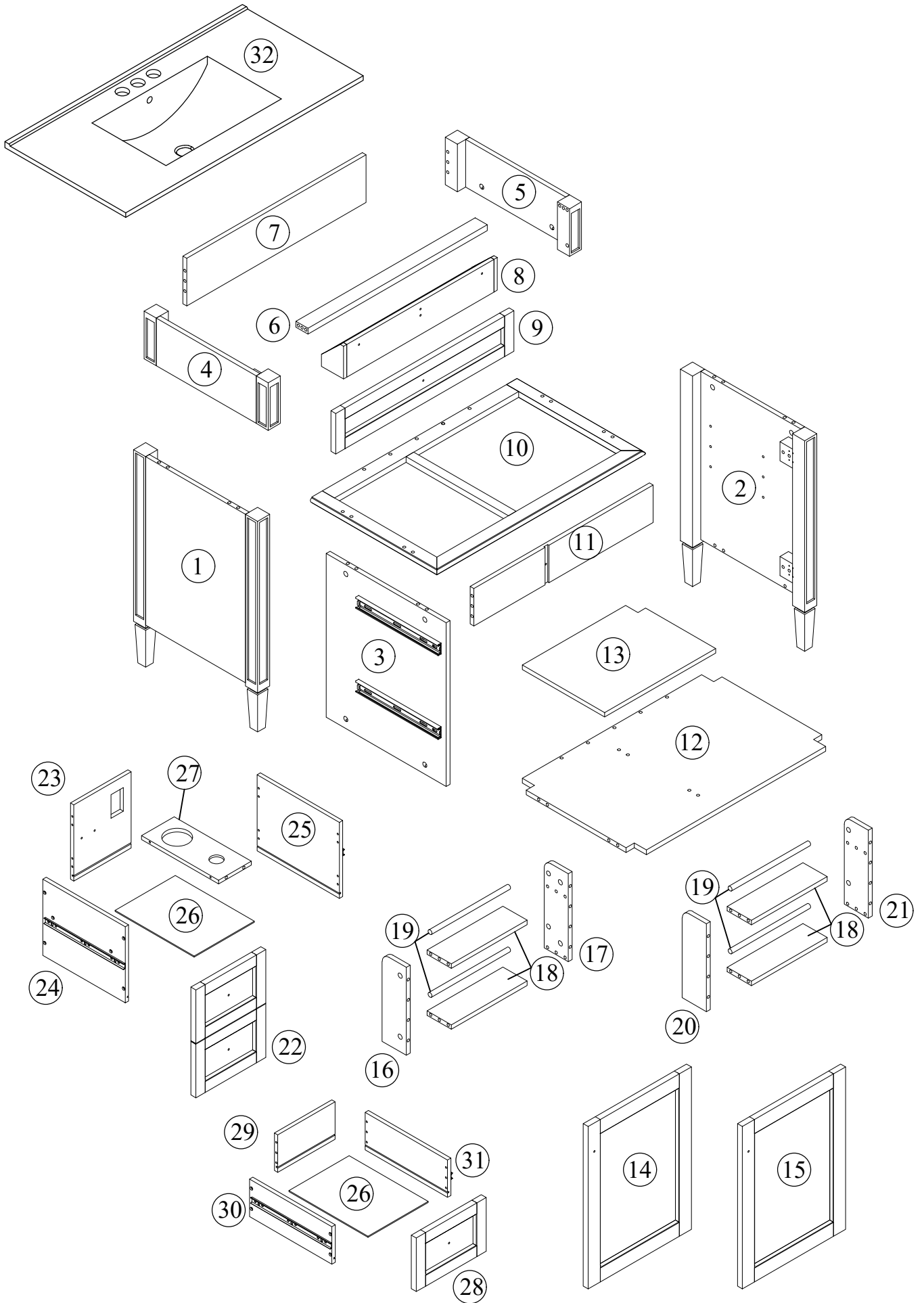
do not malicious push and pull,

if you have any problems in the process of assembly and use, please contact us.

Thank you again for your purchase of our products,

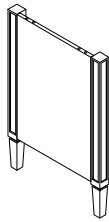
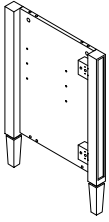
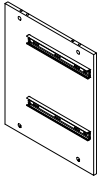
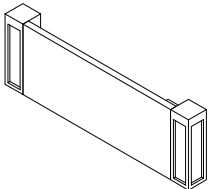
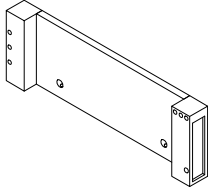
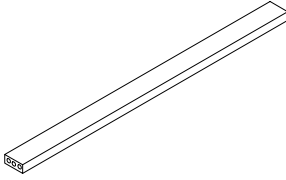
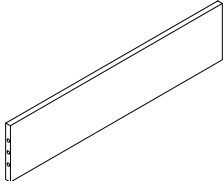
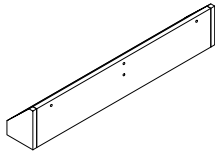
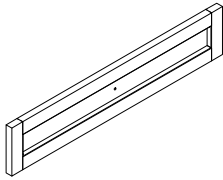
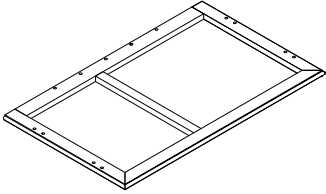
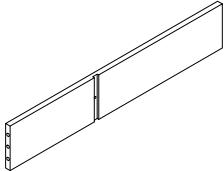
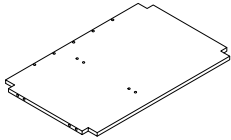
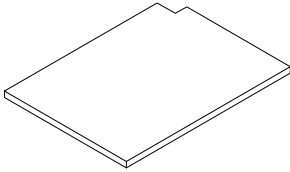
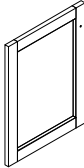
I wish you a happy life.

Detail View - CABINET

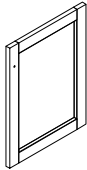


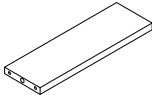
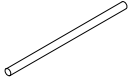

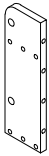
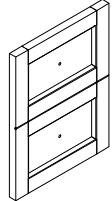
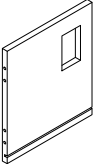
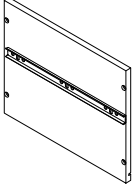
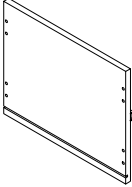
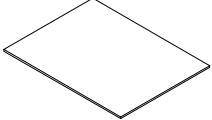
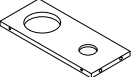
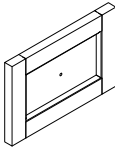


Identifying the Hardware-Identify the hardware using the illustrations below.

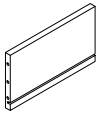
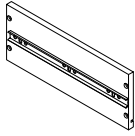
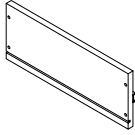
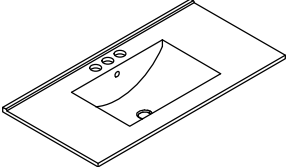
Part List - 10007

<p>1</p>  <p>Side Panel (L) - 1pc</p>	<p>2</p>  <p>Side Panel (R) - 1pc</p>
<p>3</p>  <p>Mid Panel - 1pc</p>	<p>4</p>  <p>Side Panel Top (L) - 1pc</p>
<p>5</p>  <p>Side Panel Top (R) - 1pc</p>	<p>6</p>  <p>Crossbar Top - 1pc</p>
<p>7</p>  <p>Panel Top Rear - 1pc</p>	<p>8</p>  <p>Flip Drawer - 1pc</p>
<p>9</p>  <p>Flip Drawer Face - 1pc</p>	<p>10</p>  <p>Frame Mid - 1pc</p>
<p>11</p>  <p>Rear Panel Bottom - 1pc</p>	<p>12</p>  <p>Bottom Panel - 1pc</p>
<p>13</p>  <p>Adjustable Shelf - 1pc</p>	<p>14</p>  <p>Left Door - 1pc</p>

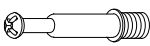




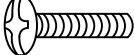
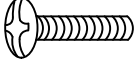
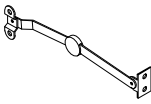
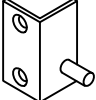



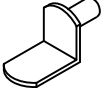
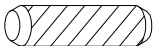
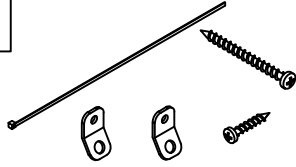
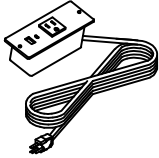
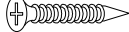

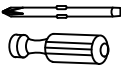
Part List - 10007

<p>15</p>  <p>Right Door - 1pc</p>	<p>16</p>  <p>Left Panel of Door - 1pc</p>
<p>17</p>  <p>Right Panel of Door - 1pc</p>	<p>18</p>  <p>Mid Panel of Door - 4pcs</p>
<p>19</p>  <p>Round Bar - 4pcs</p>	<p>20</p>  <p>Left Panel of Door - 1pc</p>
<p>21</p>  <p>Right Panel of Door - 1pc</p>	<p>22</p>  <p>Drawer Front Top - 1pc</p>
<p>23</p>  <p>Drawer Rear Top - 1pc</p>	<p>24</p>  <p>Drawer Side Top (L) - 1pc</p>
<p>25</p>  <p>Drawer Side Top (R) - 1pc</p>	<p>26</p>  <p>Drawer Top - 2pcs</p>
<p>27</p>  <p>Drawer Mid - 1pc</p>	<p>28</p>  <p>Drawer Front Bottom - 1pc</p>

Part List - 10007

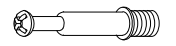
<p>29</p>  <p>Drawer Rear Bottom - 1pc</p>	<p>30</p>  <p>Drawer Side Bottom(L) - 1pc</p>
<p>31</p>  <p>Drawer Side Bottom(R) - 1pc</p>	<p>32</p>  <p>Sink - 1pc</p>

Hardware List - 10007

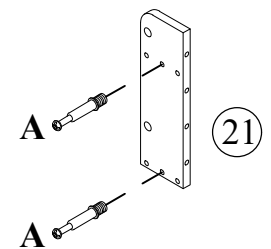
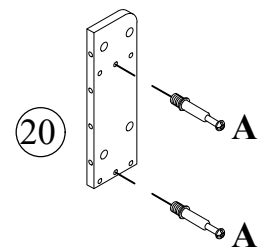
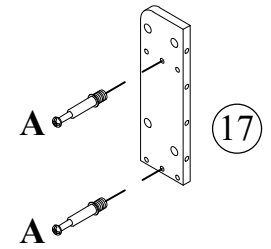
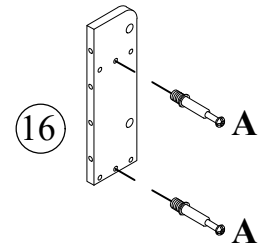
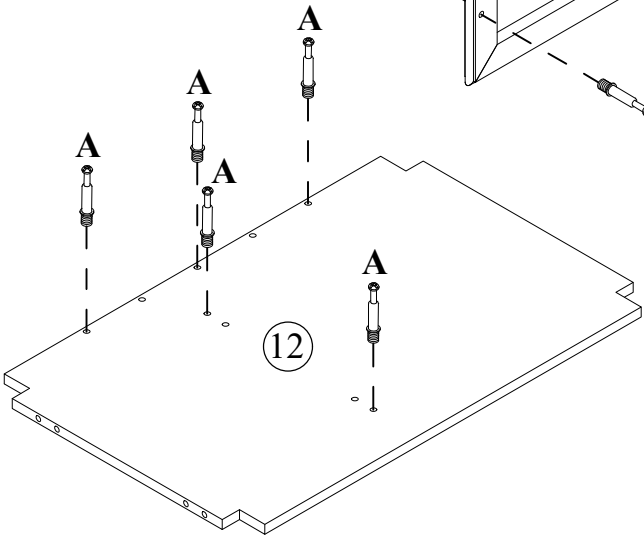
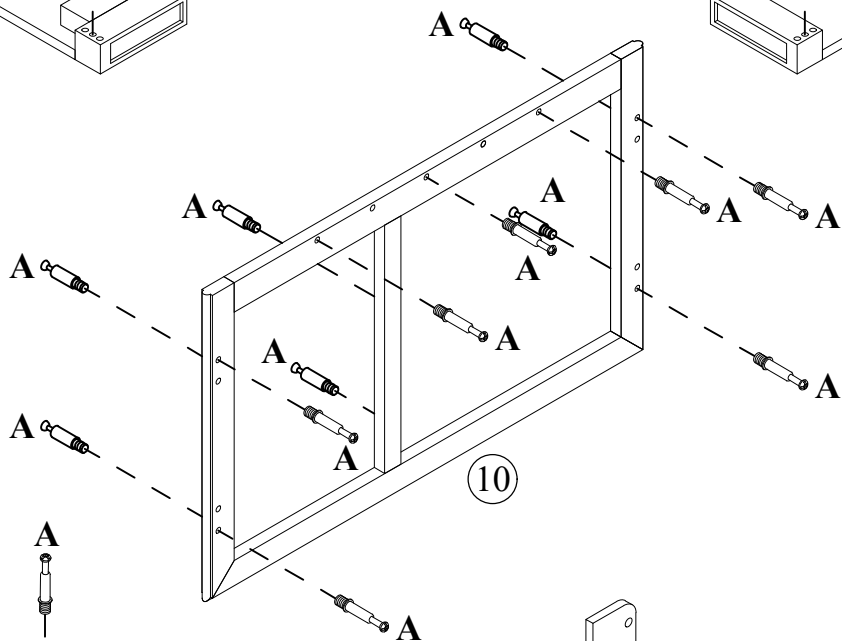
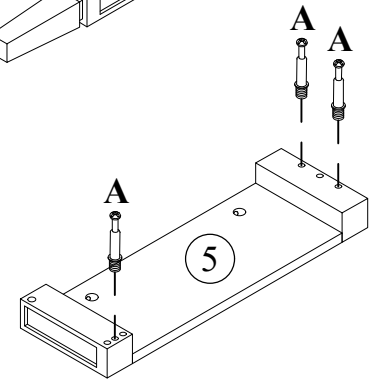
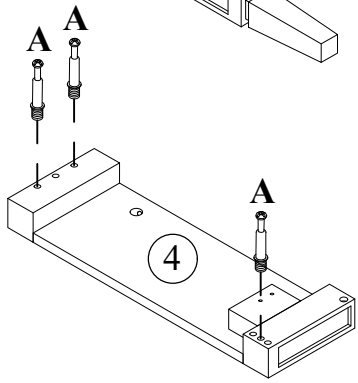
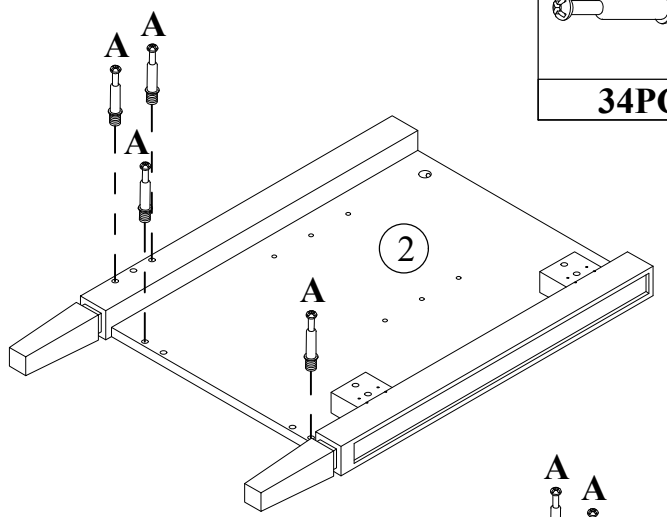
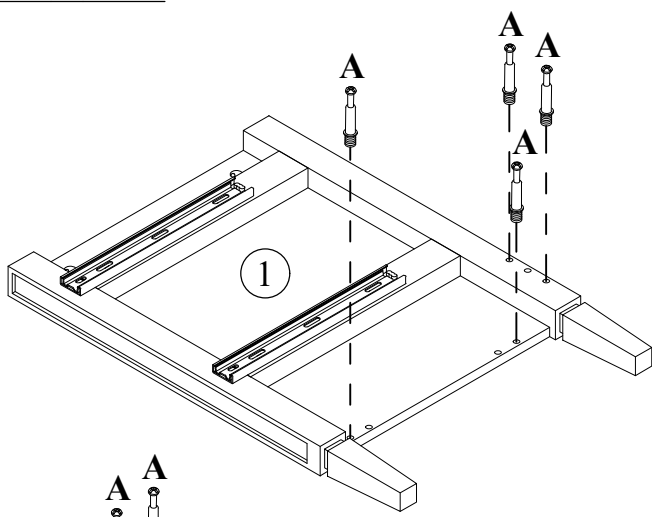
<p>A</p>  <p>ø6x35mm</p>	<p>B</p>  <p>ø14.5x12mm</p>	<p>C</p>  <p>ø8xø4x25mm</p>
<p>Three in one bolts(48pcs) Three in one lock(48pcs) Round head screw(4pcs)</p>		
<p>D</p>  <p>ø8xø4x32mm</p>	<p>E</p> 	<p>F</p>  <p>ø5/32"x25mm</p>
<p>Round head screw(18pcs) Handle(6pcs) Handle screw(2pcs)</p>		
<p>G</p>  <p>ø5/32"x28mm</p>	<p>H</p> 	<p>I</p> 
<p>Handle screw(4pcs) Duo Forte (1pc) Rotary Hinge(2pcs)</p>		
<p>J</p>  <p>ø6xø3x12mm</p>	<p>K</p> 	<p>L</p>  <p>ø7xø3.5x15mm</p>
<p>Flat head screw(8pcs) Damping hinge (4pcs) Flat head screw(24pcs)</p>		
<p>M</p> 	<p>N</p>  <p>ø8x30mm</p>	<p>O</p> 
<p>Laminate pad(4pcs) Wood dowel(52pcs) Anti fall hardware(1set)</p>		
<p>P</p> 	<p>Q</p>  <p>ø7xø3.5x12mm</p>	<p>R</p>  <p>ø6x30mm</p>
<p>USB power socket(1pcs) Flat head screw(2pcs) Wood dowel(16pcs)</p>		
<p>S</p>  <p>5.6x135mm</p> <p>Big screw(1pc)</p>		

STEP: 1

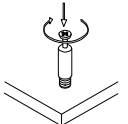
A



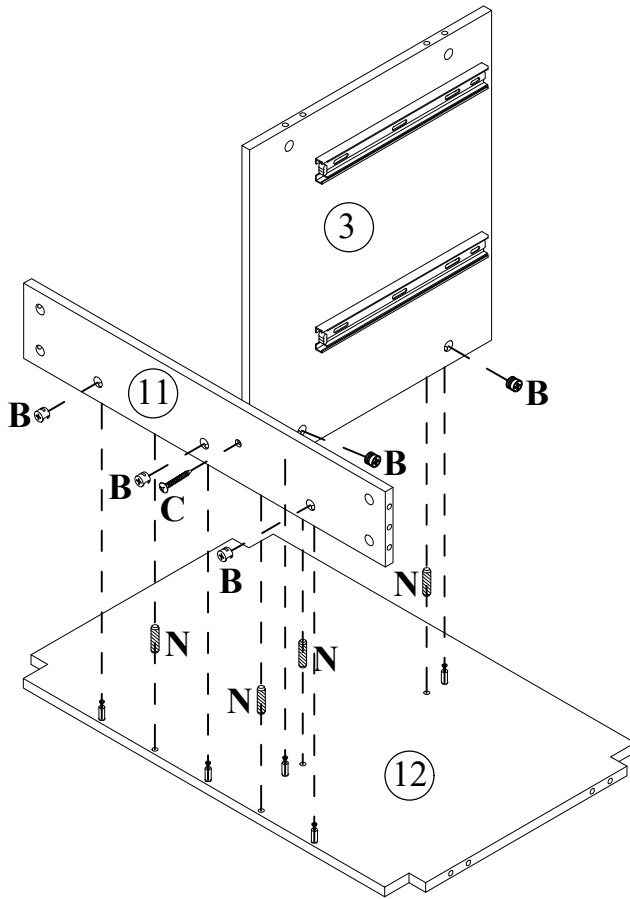
34PCS



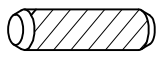


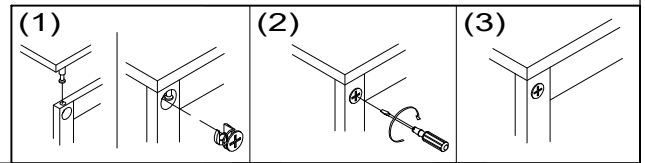
Do Not Over Tighten



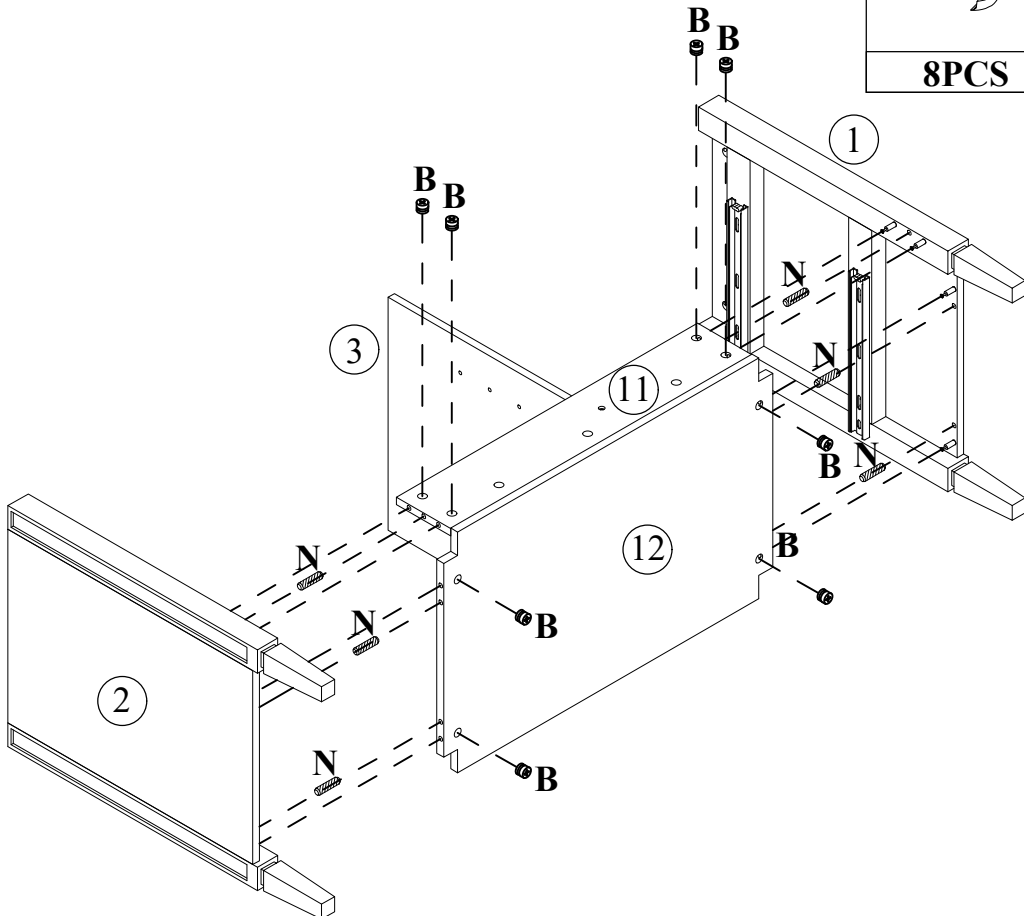
STEP: 2


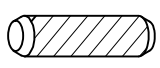


B		C		N	
5PCS		1PC		4PCS	

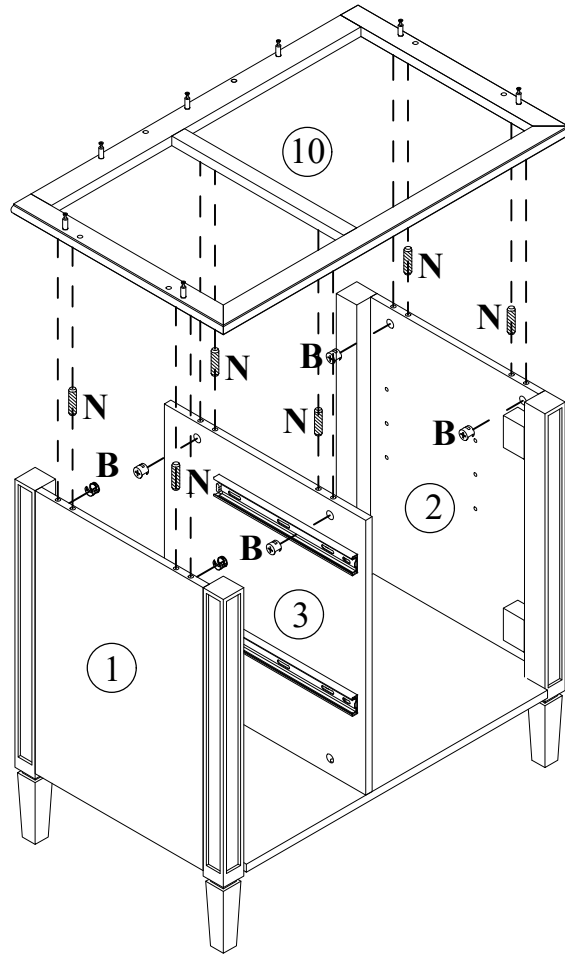



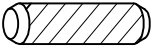
STEP: 3



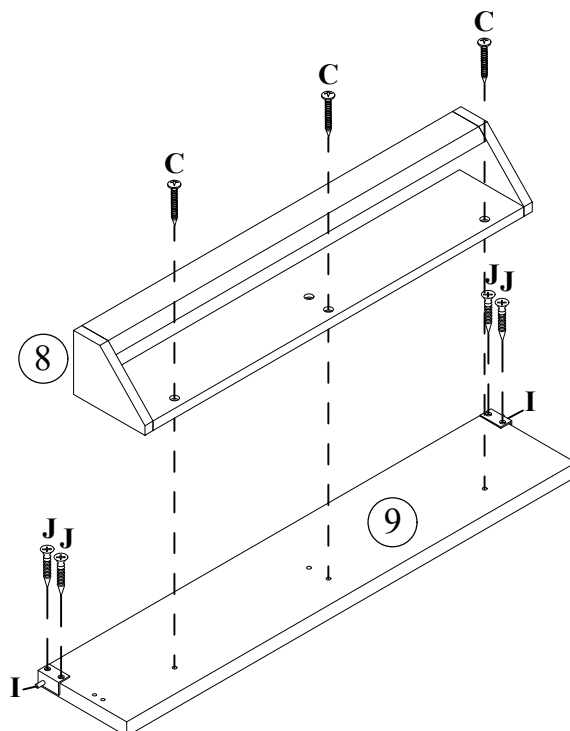
B		N	
8PCS		6PCS	


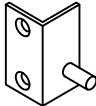

STEP: 4




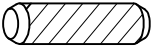
B		N	
6PCS		6PCS	

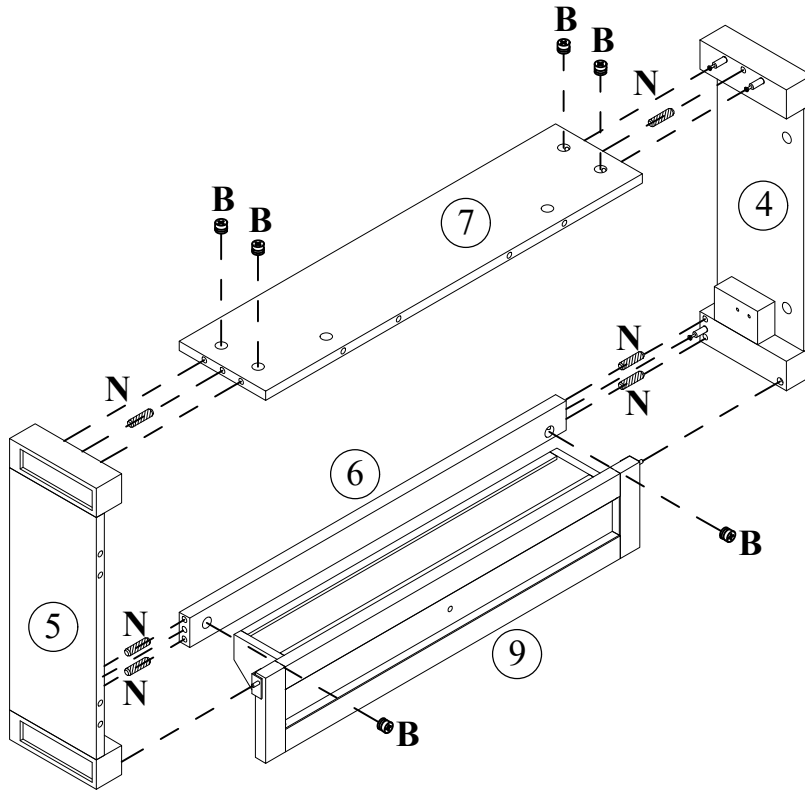
STEP: 5



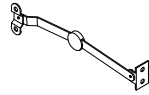

C		I		J	
3PCS		2PCS		4PCS	

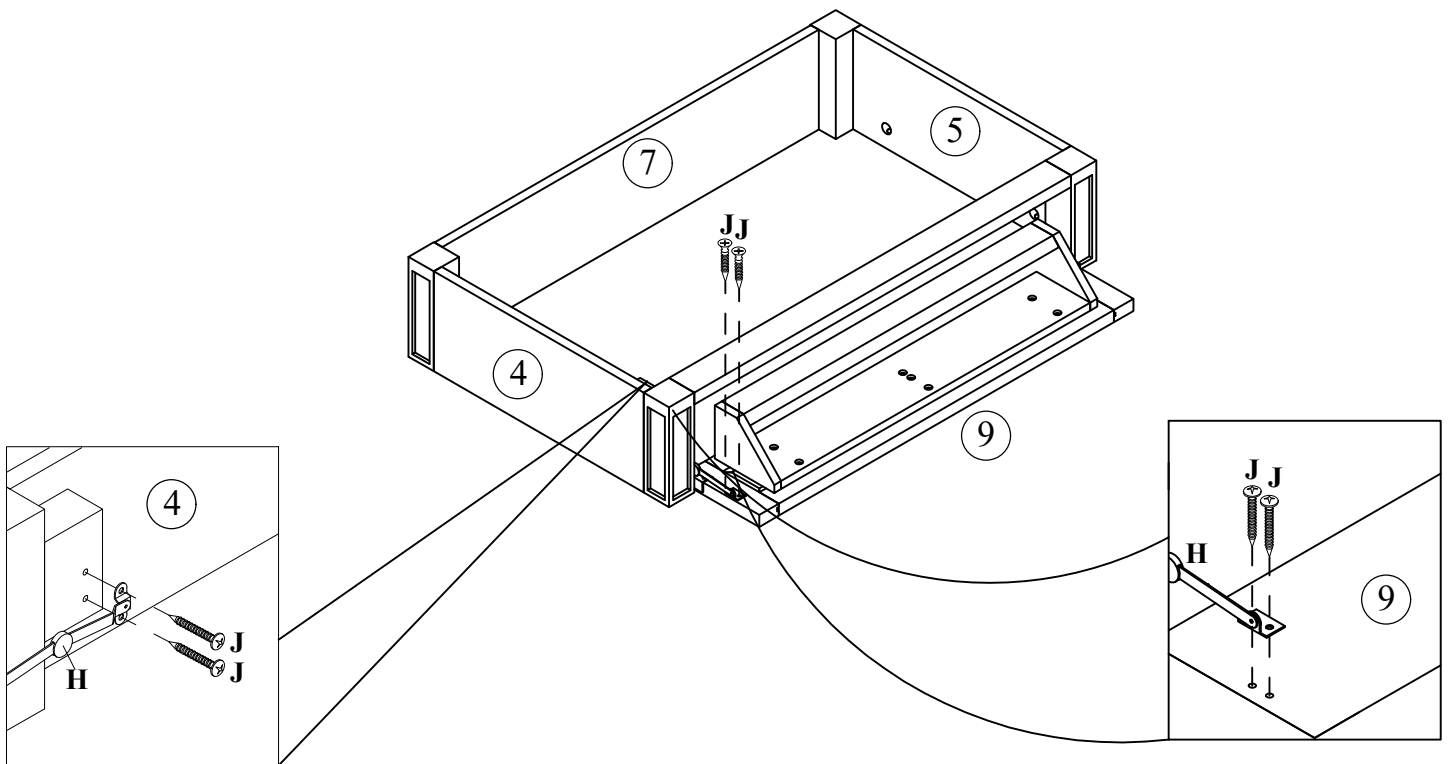
STEP: 6

B 	N 
6PCS	6PCS

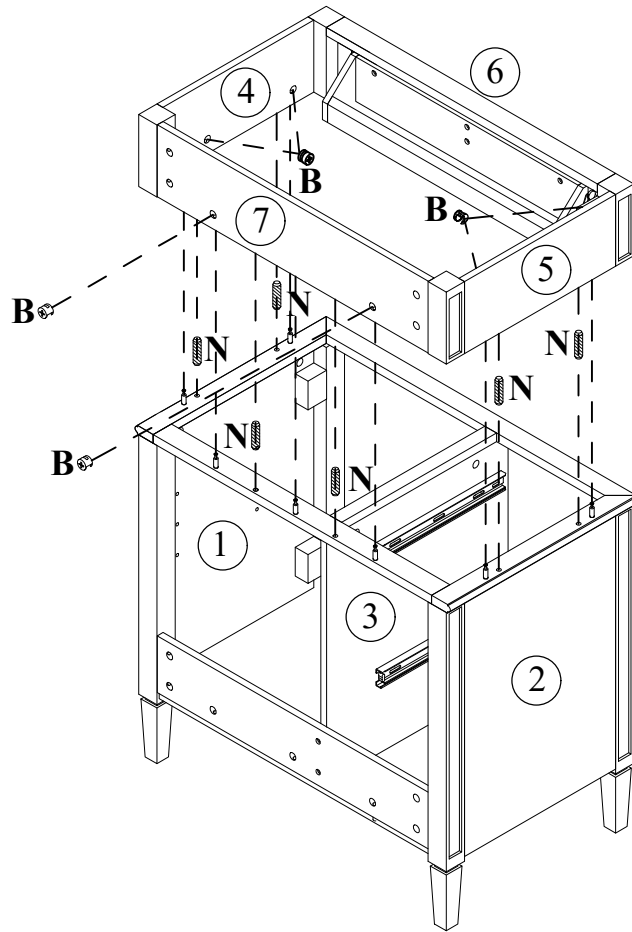



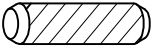
STEP: 7

H 	J 
1PC	4PCS

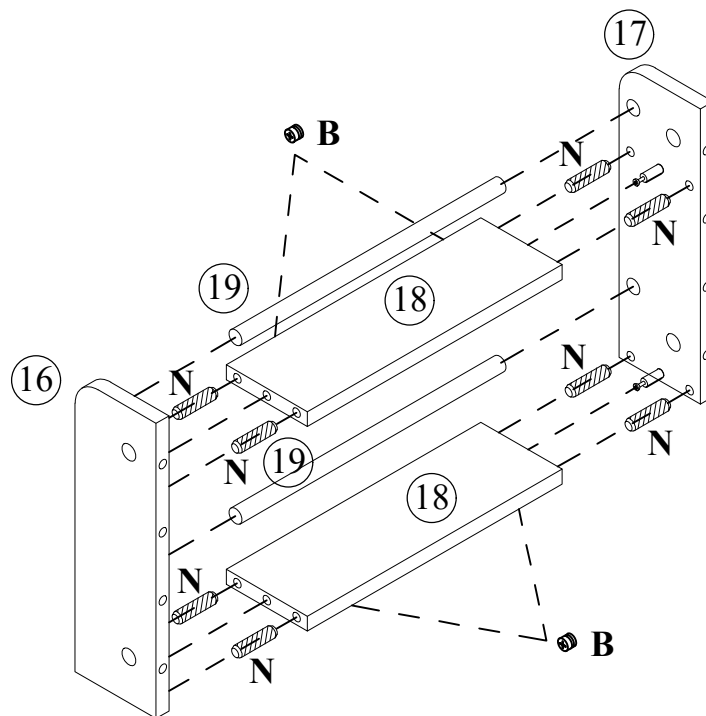




STEP: 8



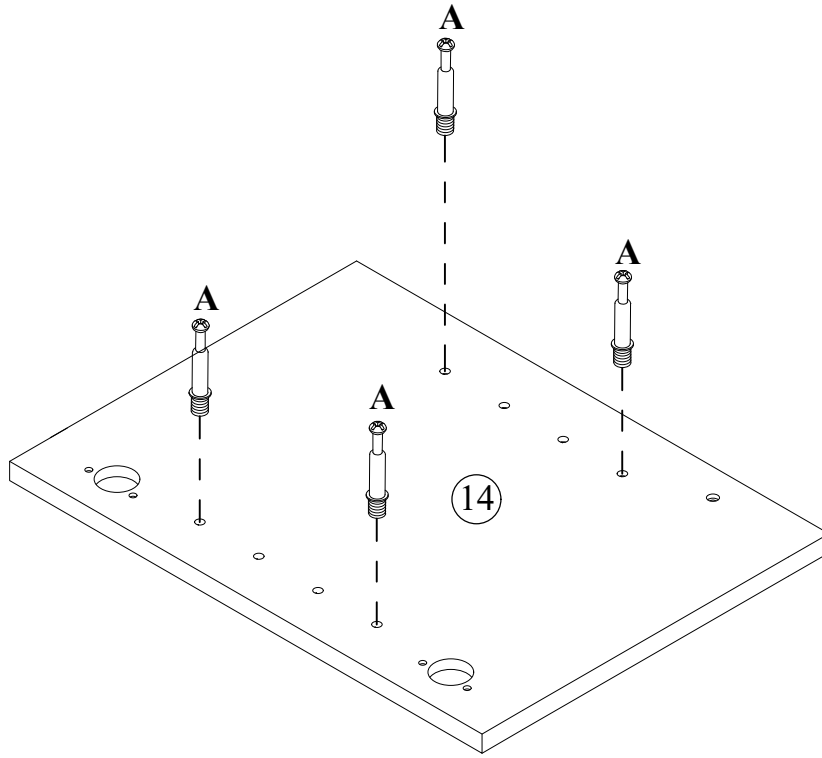
B 	N 
7PCS	6PCS

STEP: 9

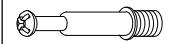


B 	N 
4PCS	8PCS

STEP: 10

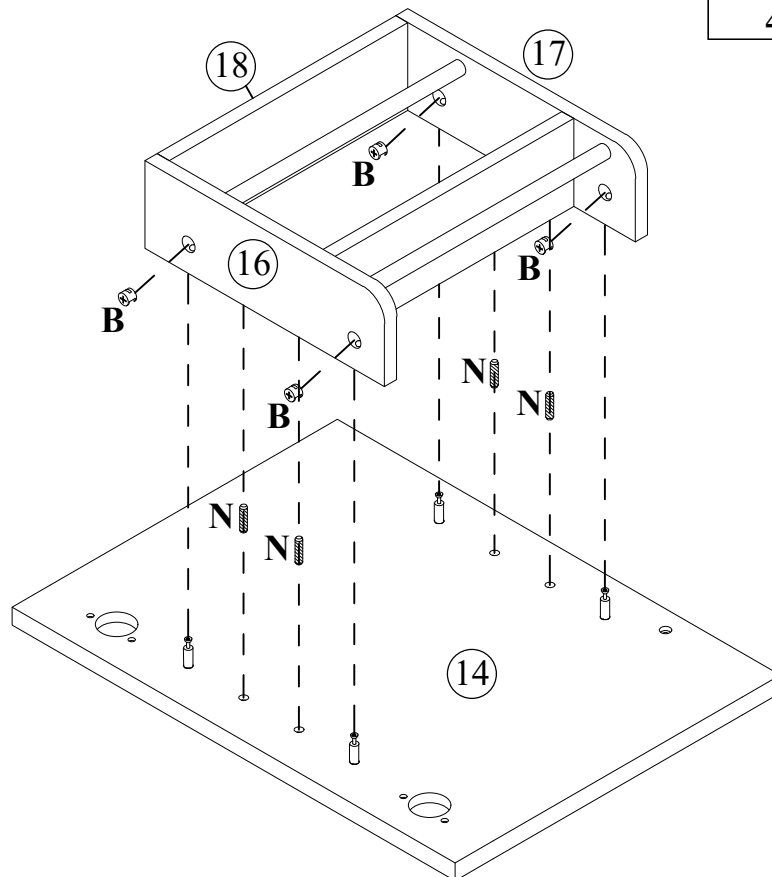


A



4PCS

STEP: 11

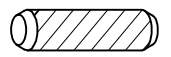


B



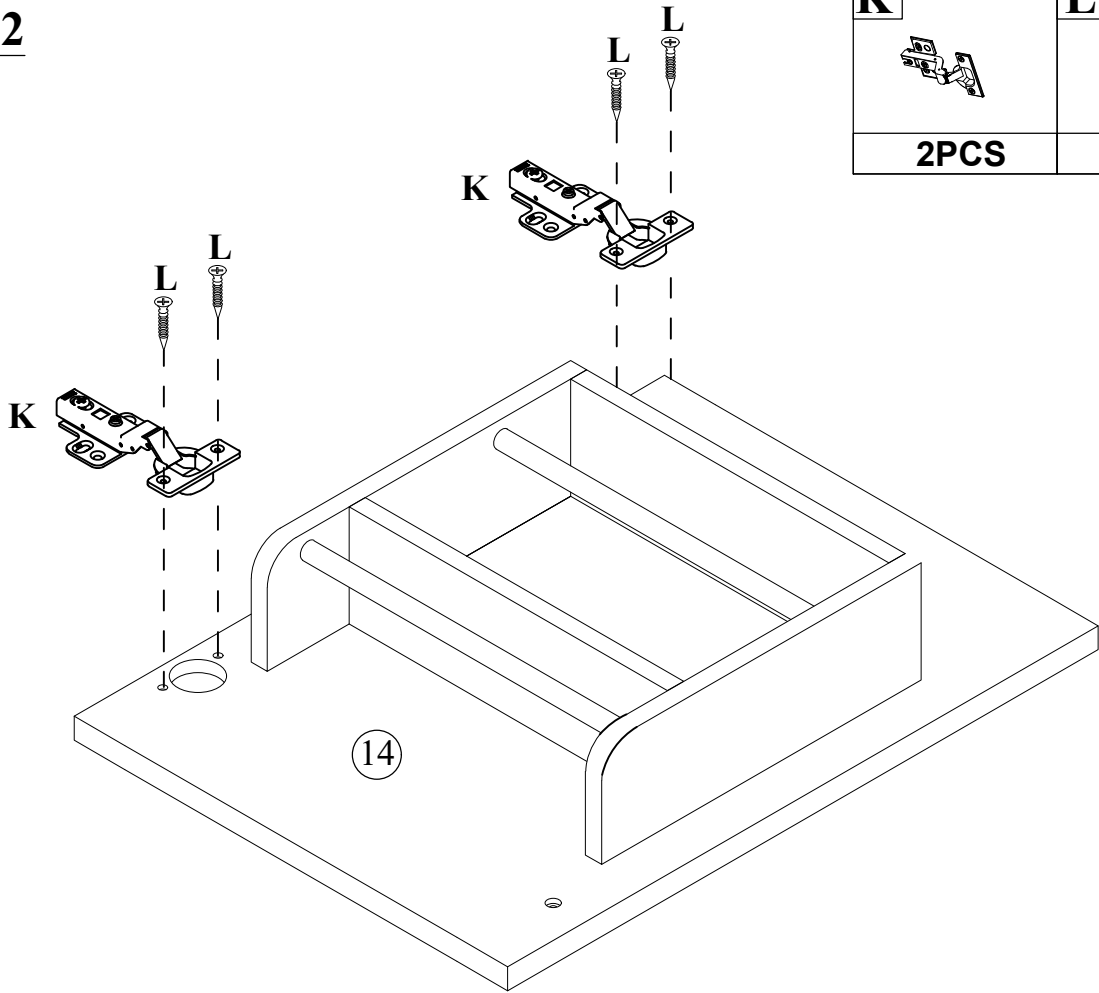
4PCS


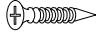
N



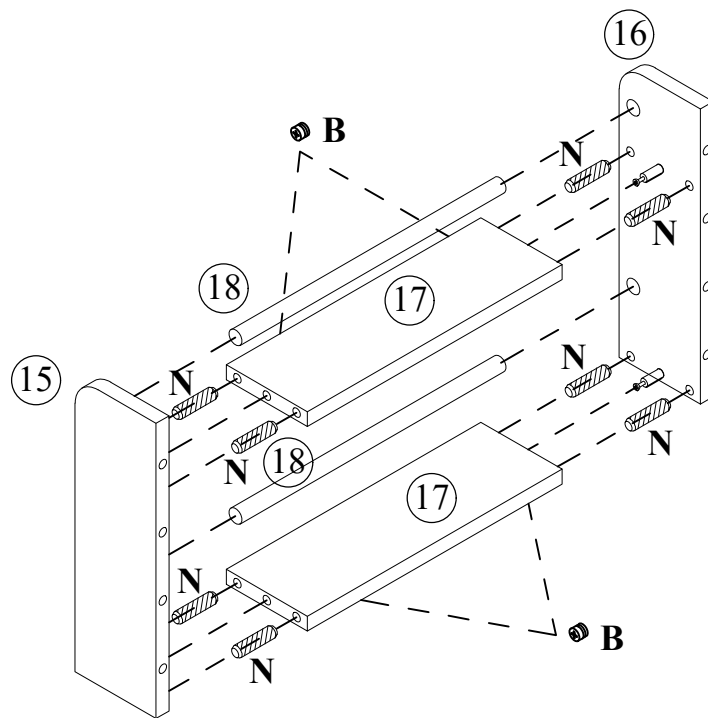
4PCS



STEP: 12



K 	L 
2PCS	4PCS

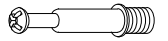
STEP: 13



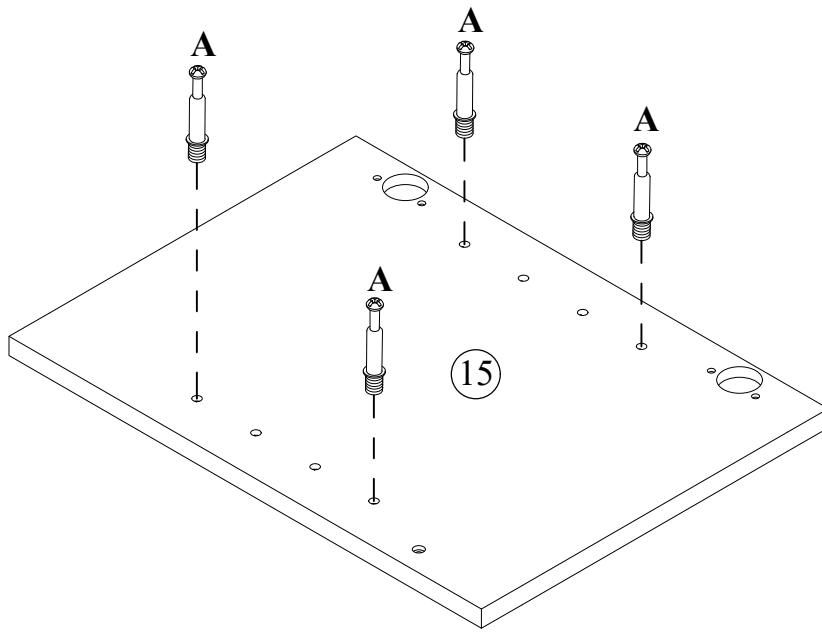
B 	N 
4PCS	8PCS

STEP: 14

A



4PCS



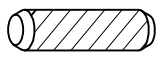
STEP: 15

B

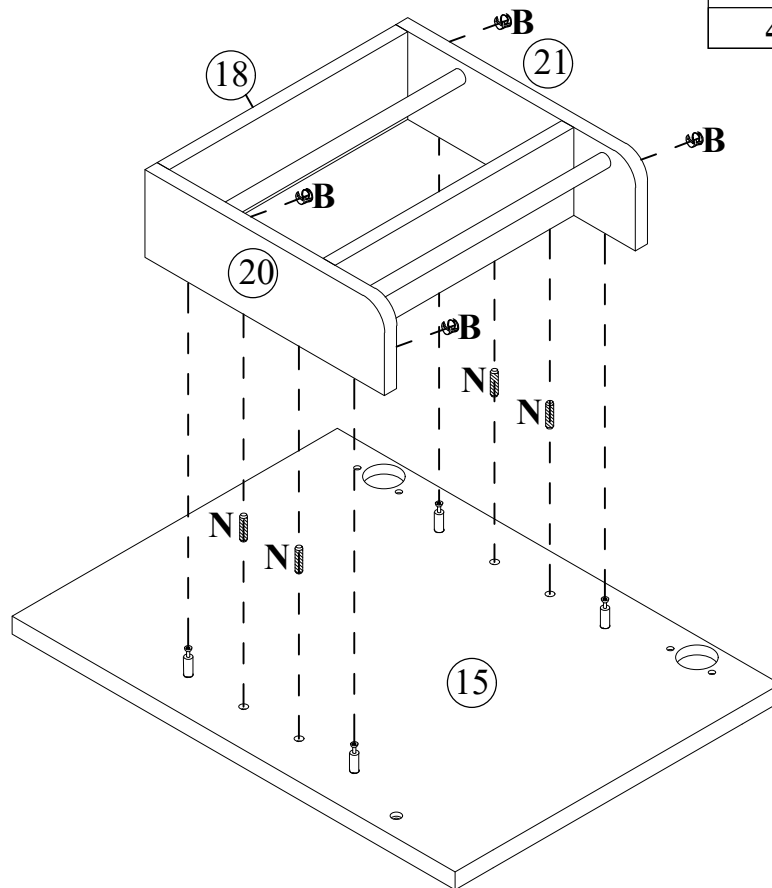


4PCS


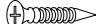
N

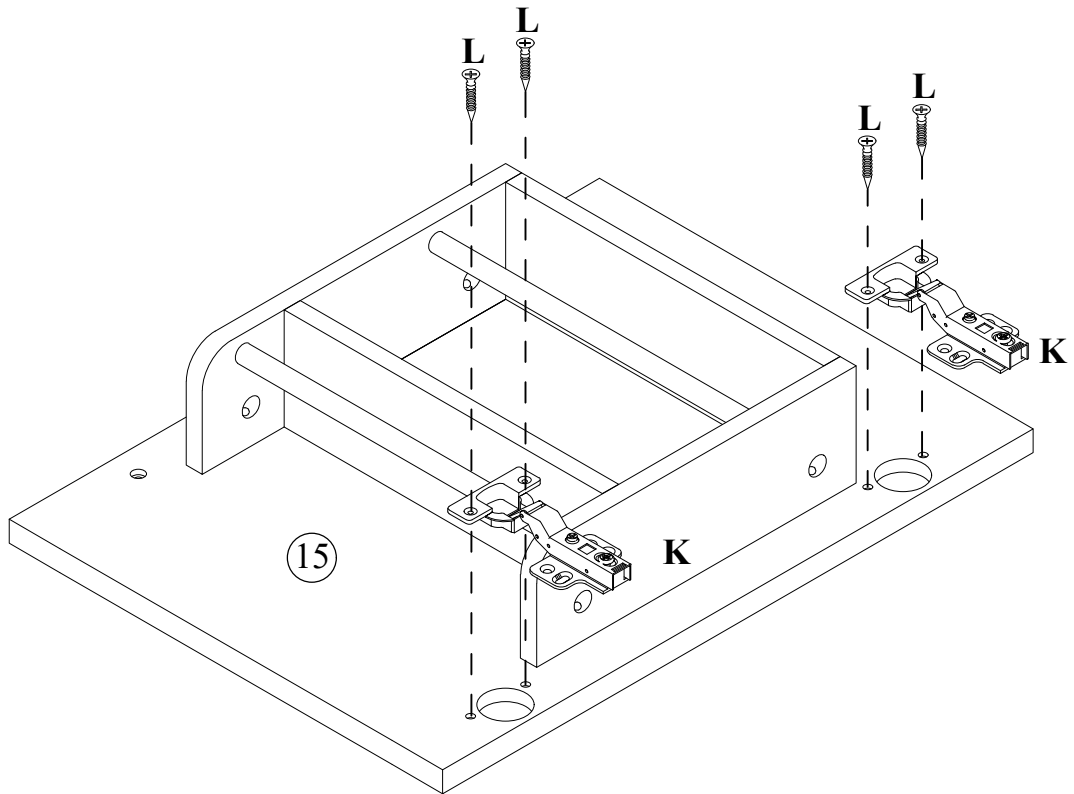


4PCS


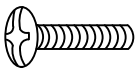
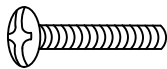



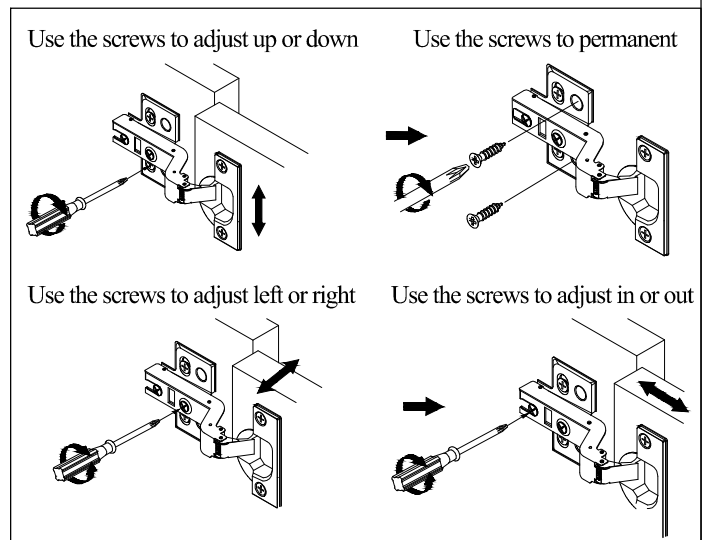
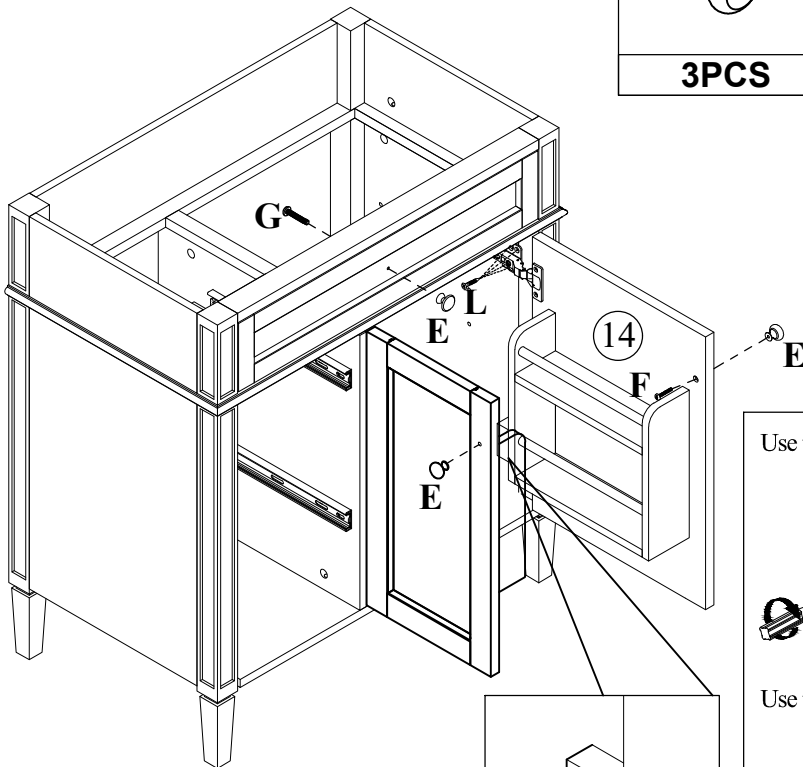
STEP: 16

K	L
	
2PCS	4PCS

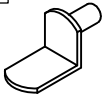


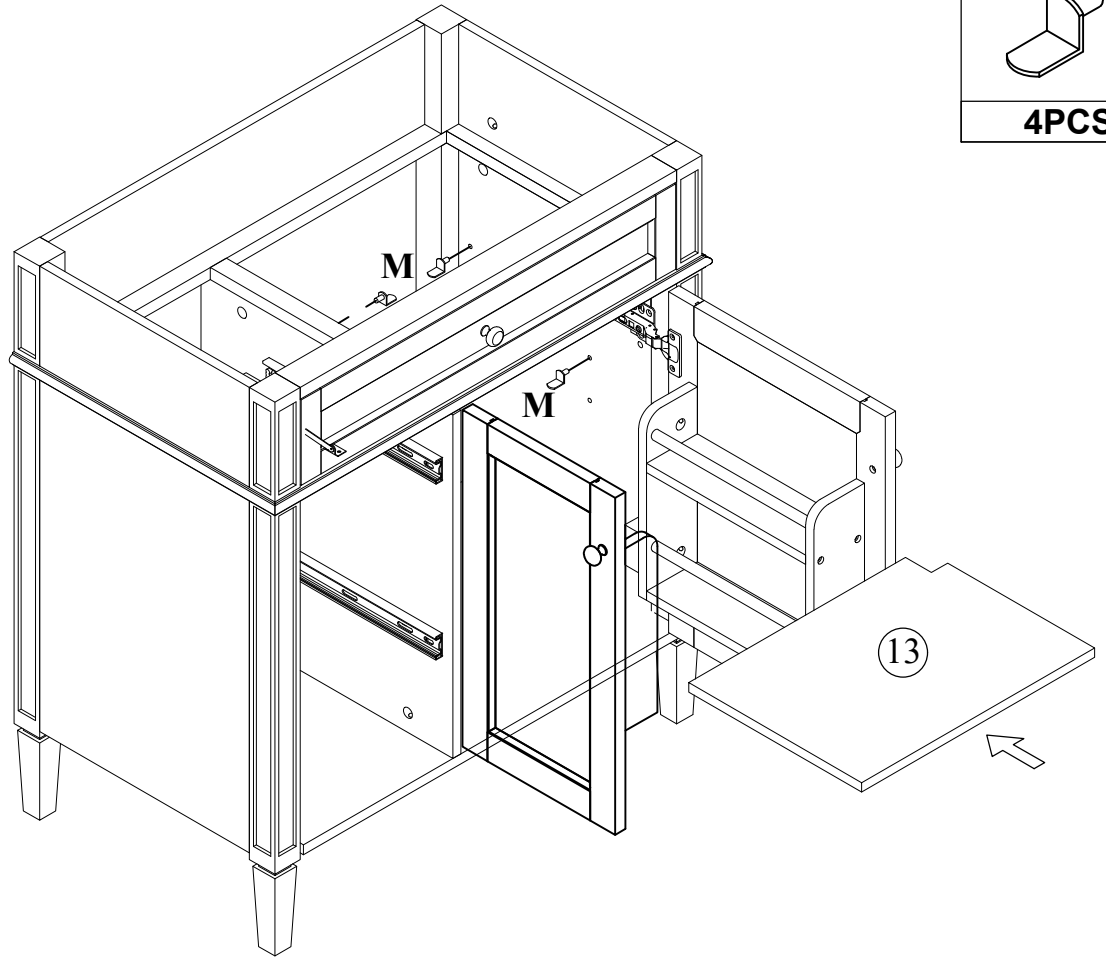
STEP: 17

E	F	G	L
			
3PCS	2PCS	1PC	16PCS

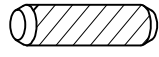



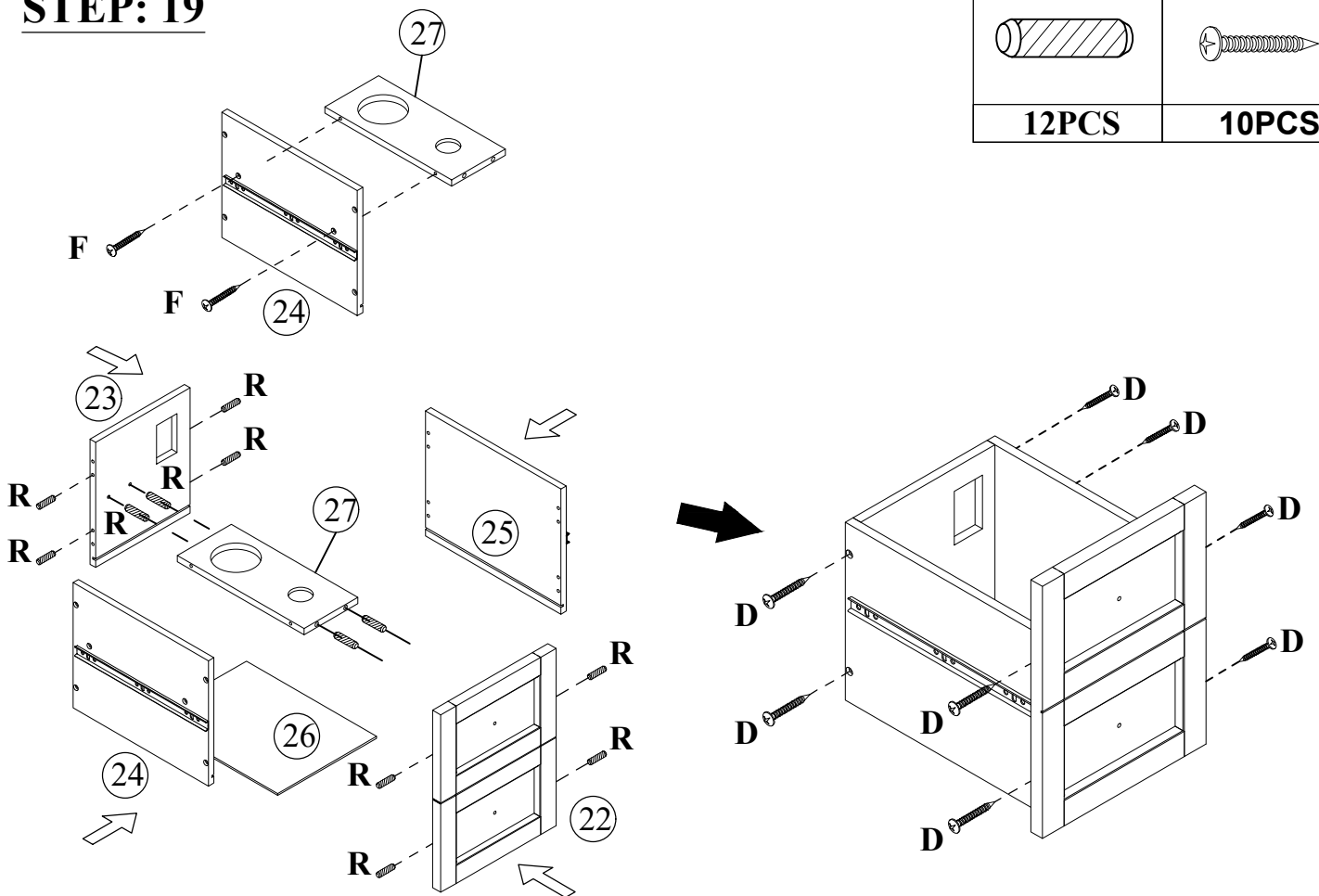
STEP: 18

M

4PCS




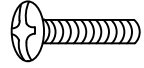


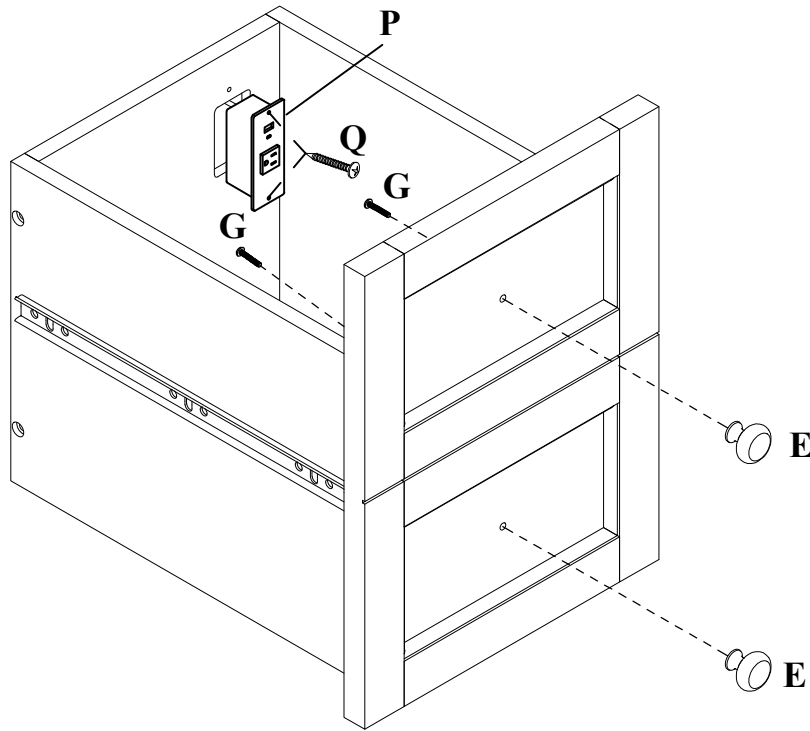
STEP: 19

R	D
	
12PCS	10PCS

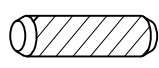



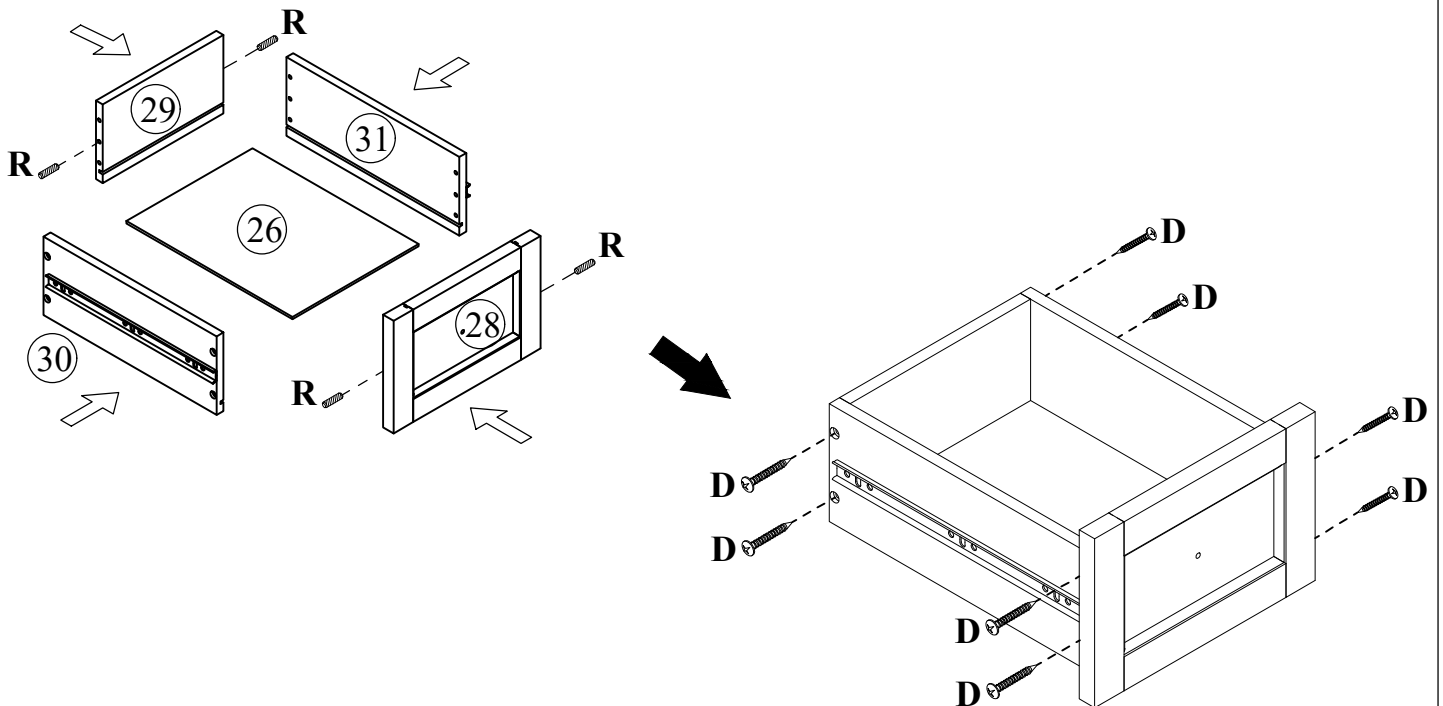
STEP: 20

P 	Q 	E 	G 
1PC	2PCS	2PCS	2PCS


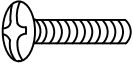


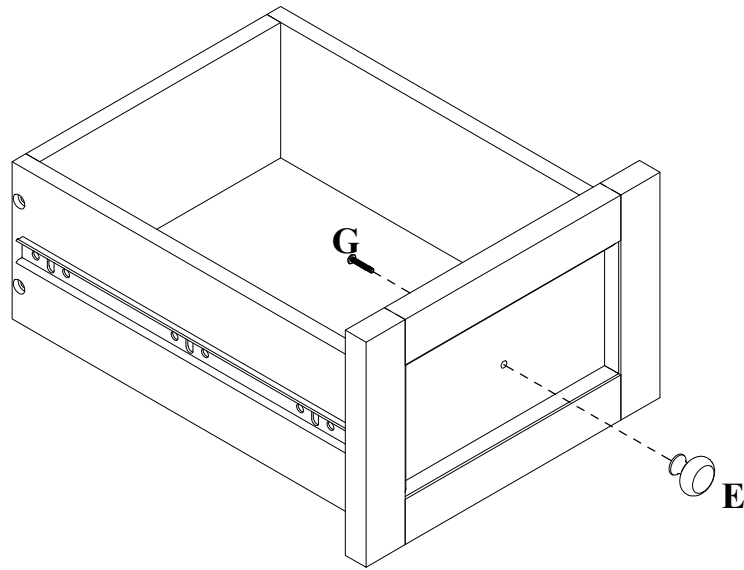
STEP: 21

R 	D 
4PCS	8PCS

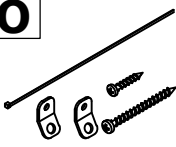


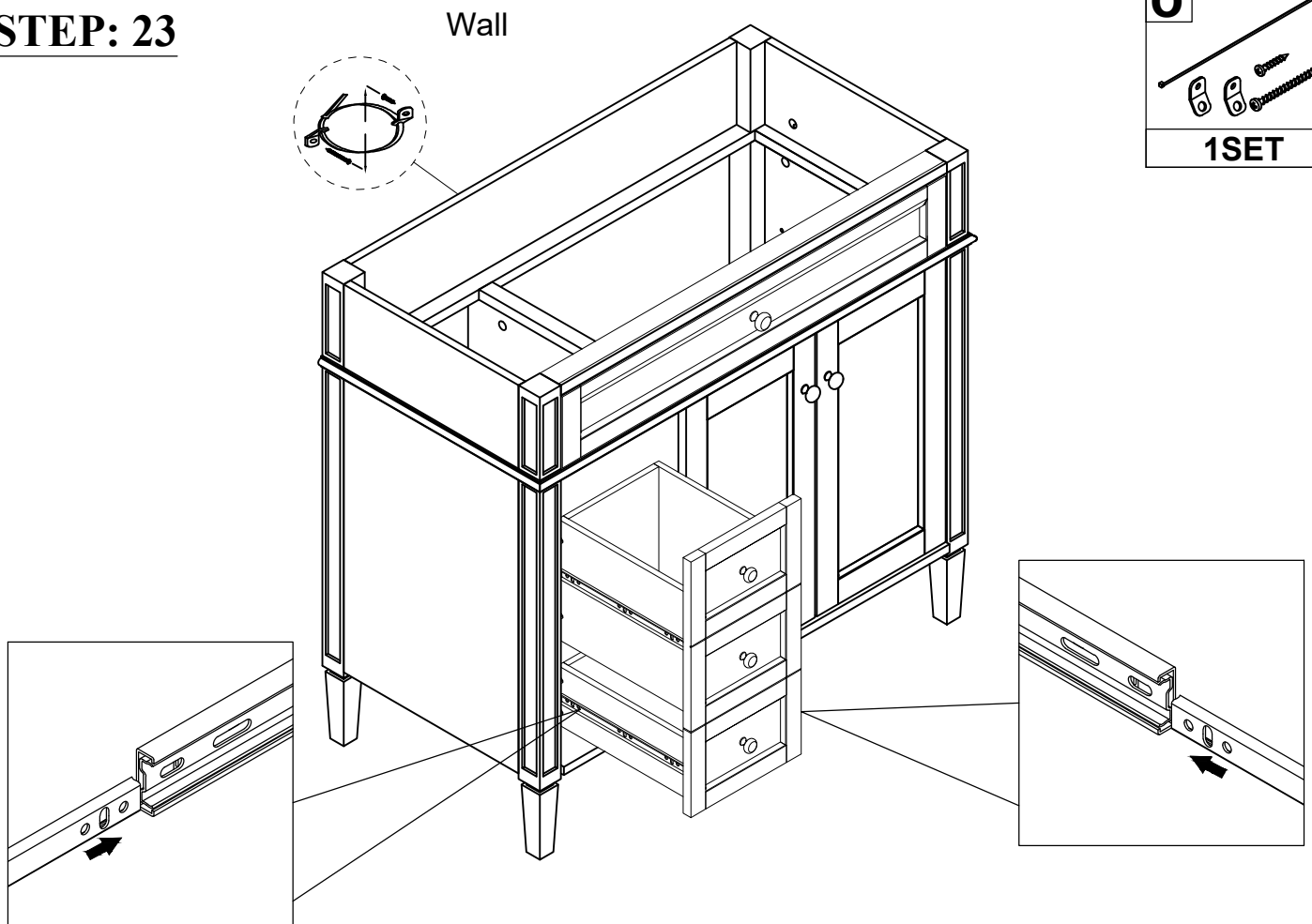
STEP: 22

E		G	
1PC		1PC	



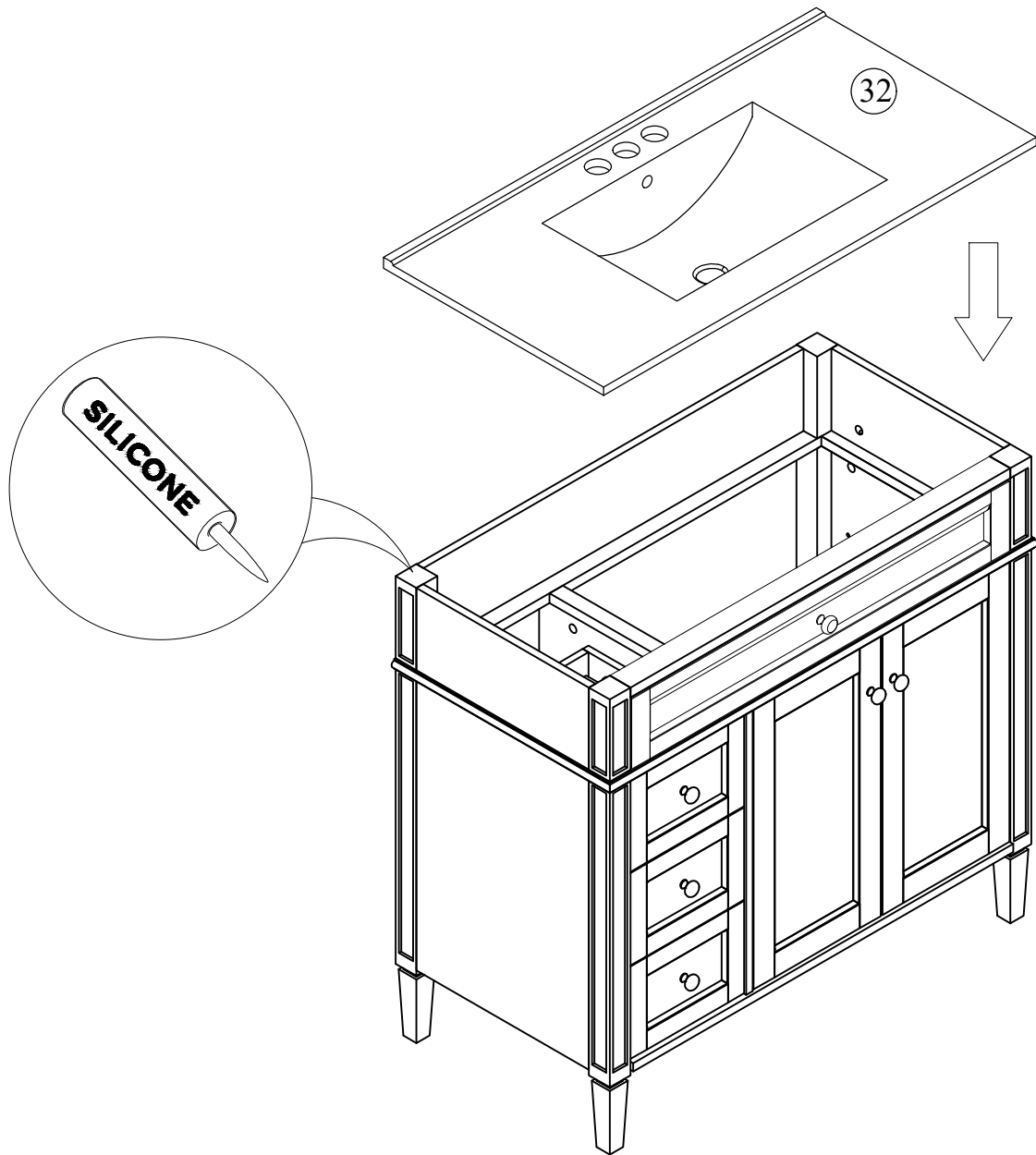
STEP: 23

O	
1SET	



STEP: 24

Install the sink on the cabinet with glue.
Let stand for 24 hours



STEP: 25

