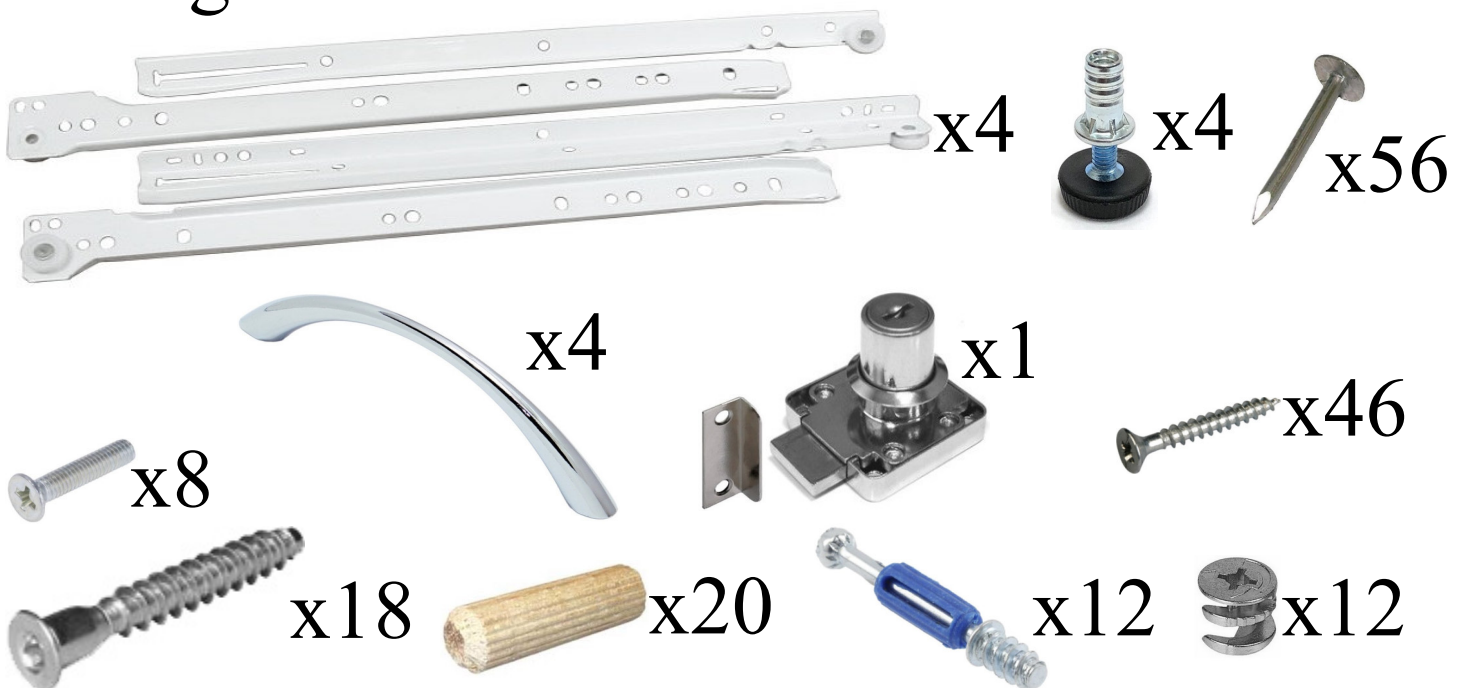
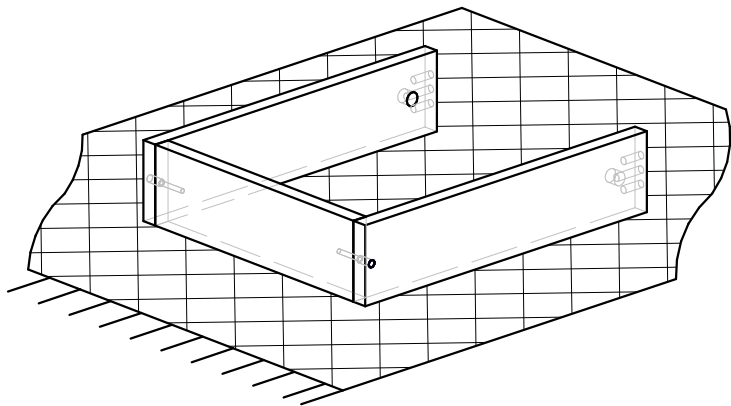
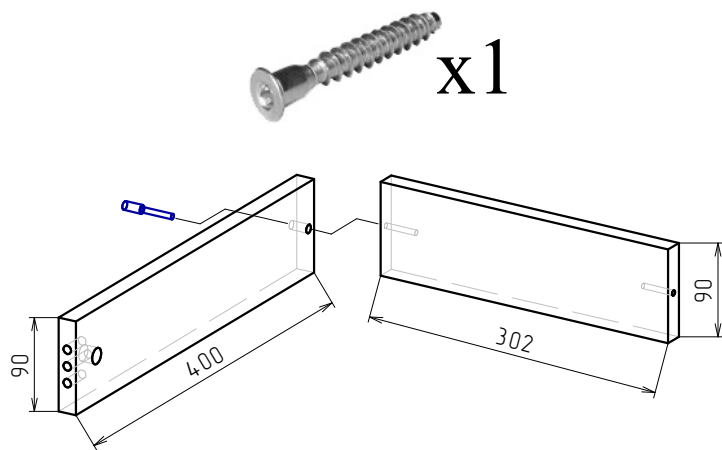


## Fittings

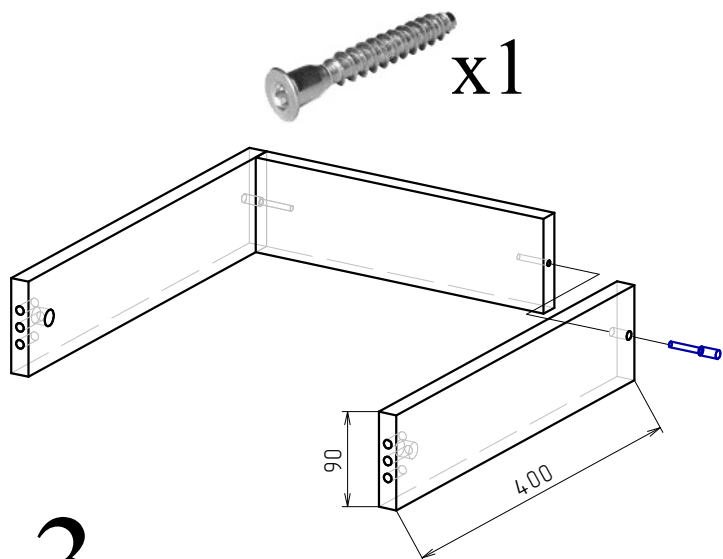




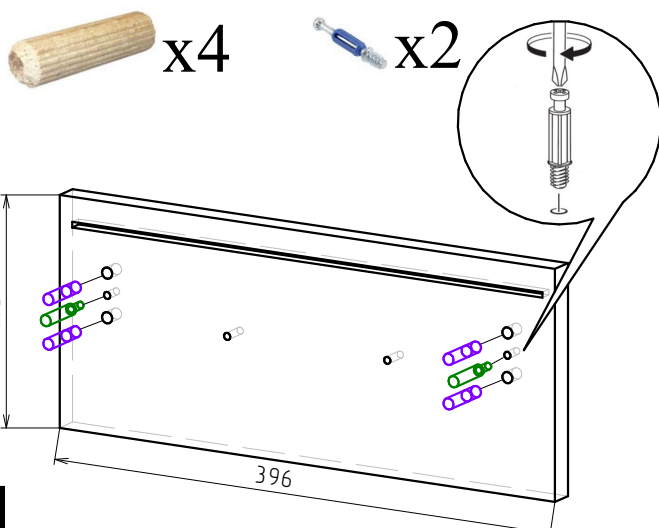
1



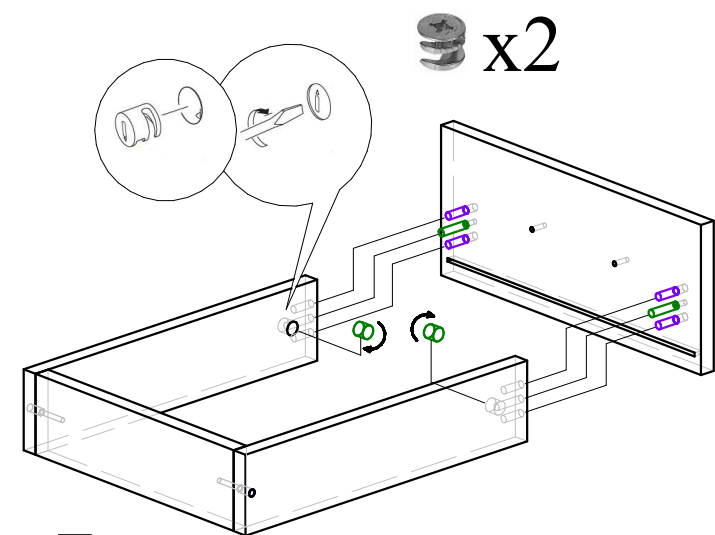
2



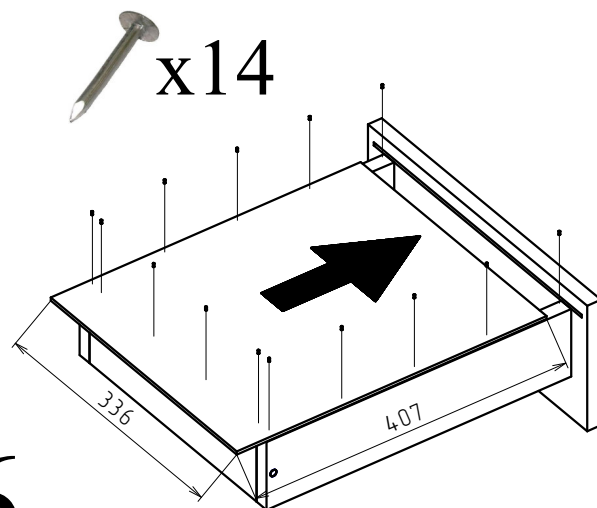
3



4

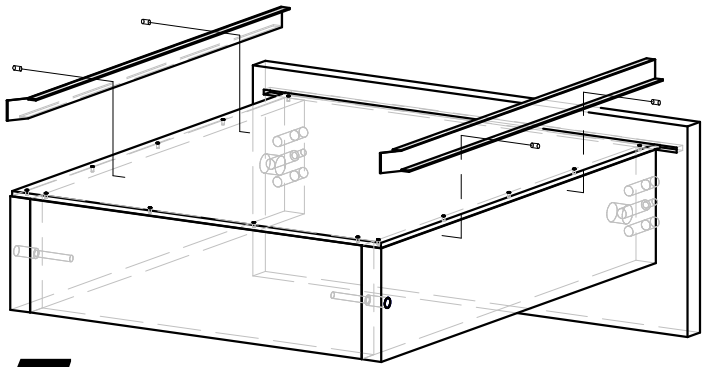


5



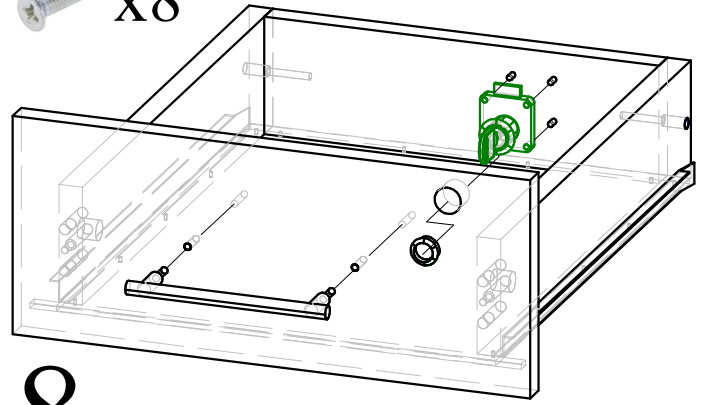
6

x4 x16

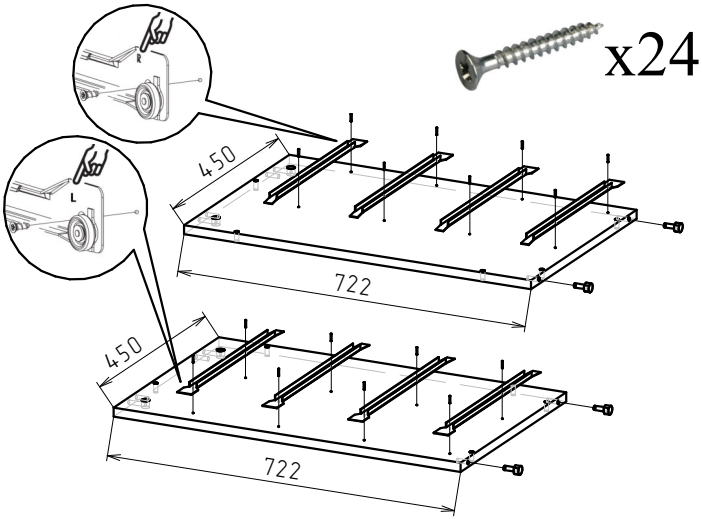


7

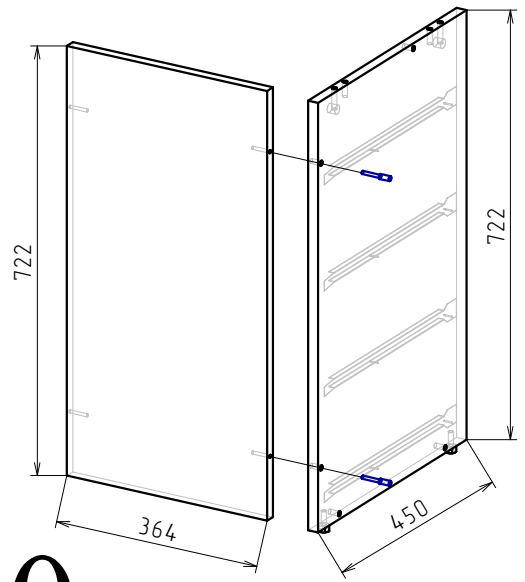
x4 x1 x4 x8



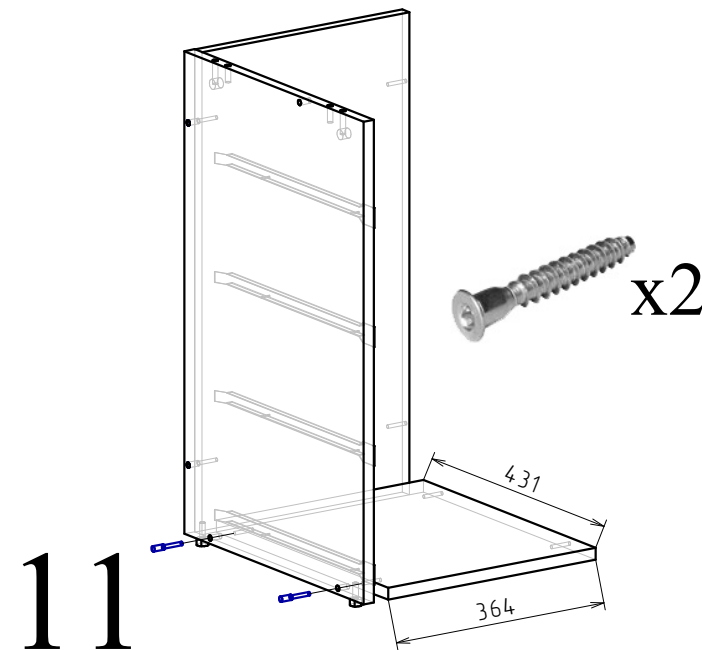
8



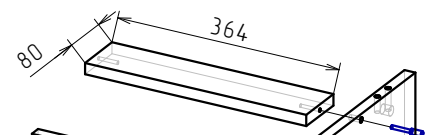
9 x4 x4



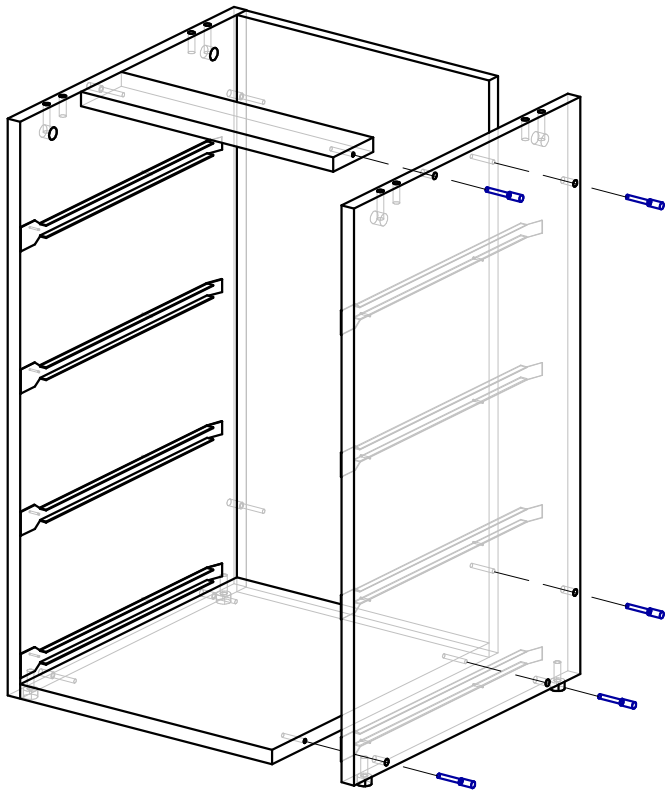
10 x2



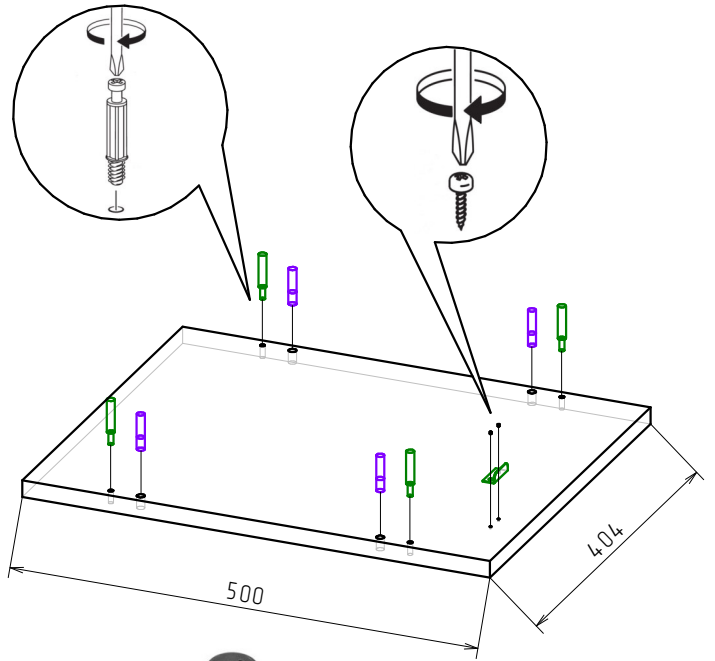
11







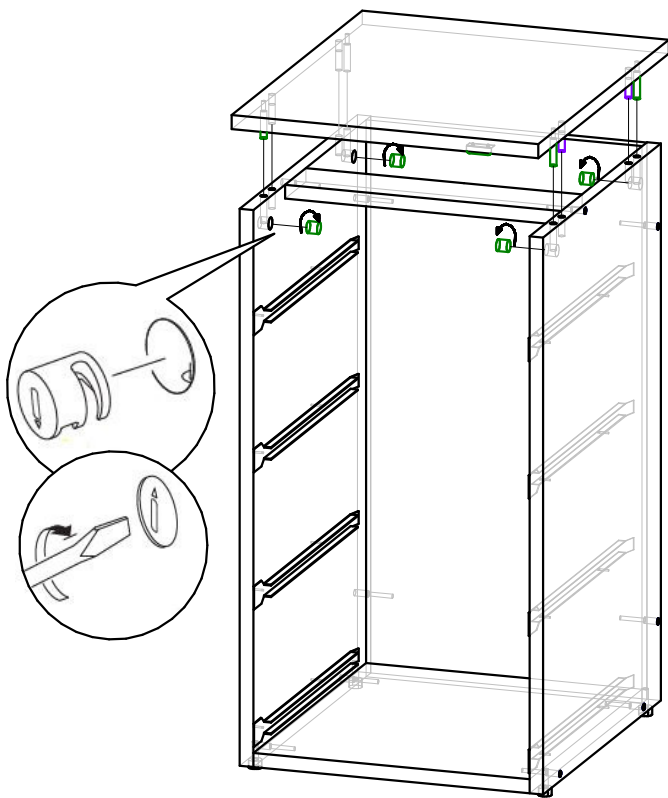
12



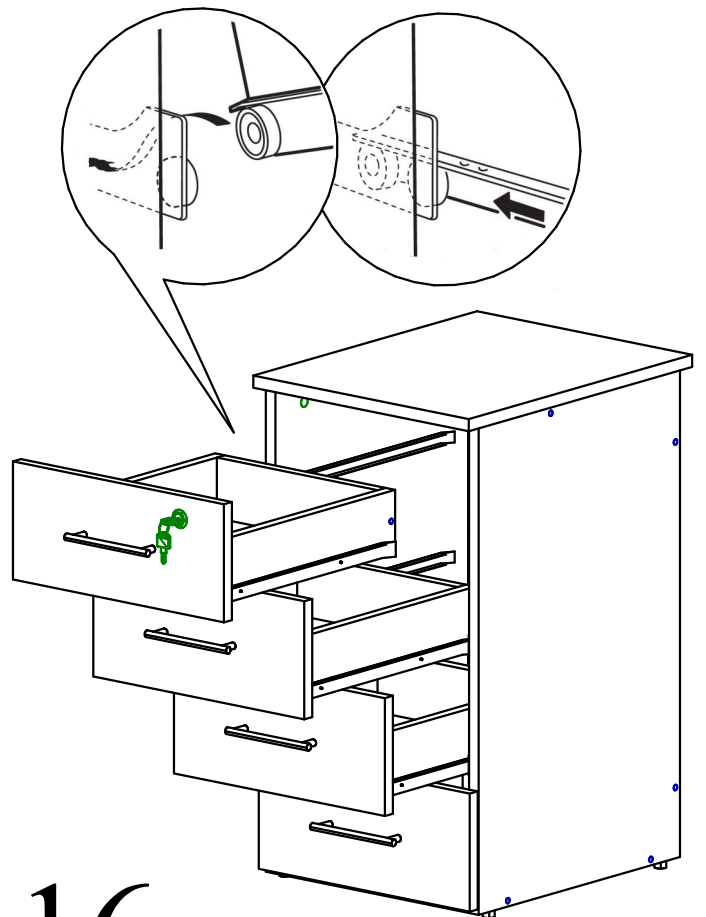
13  x5



14  x1  x4  
 x2  x4



15  x4



16