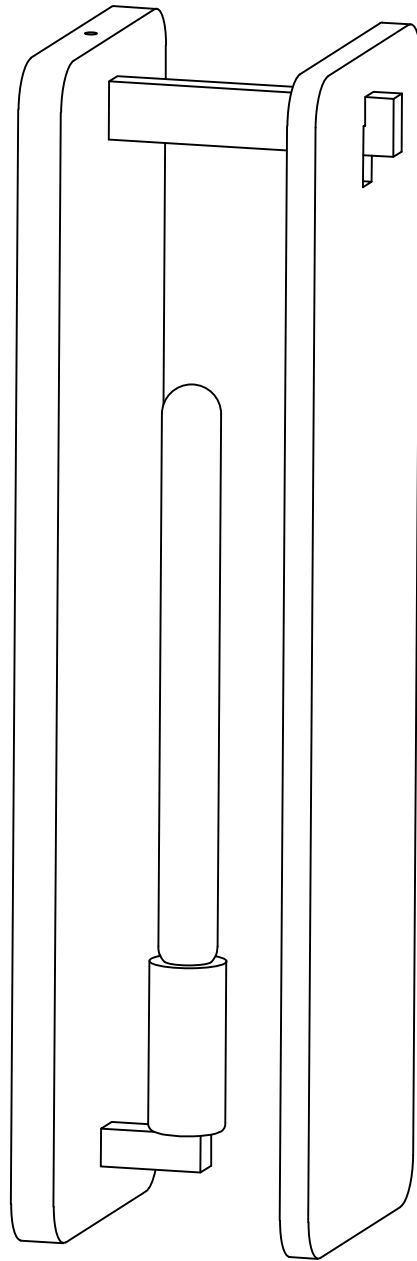
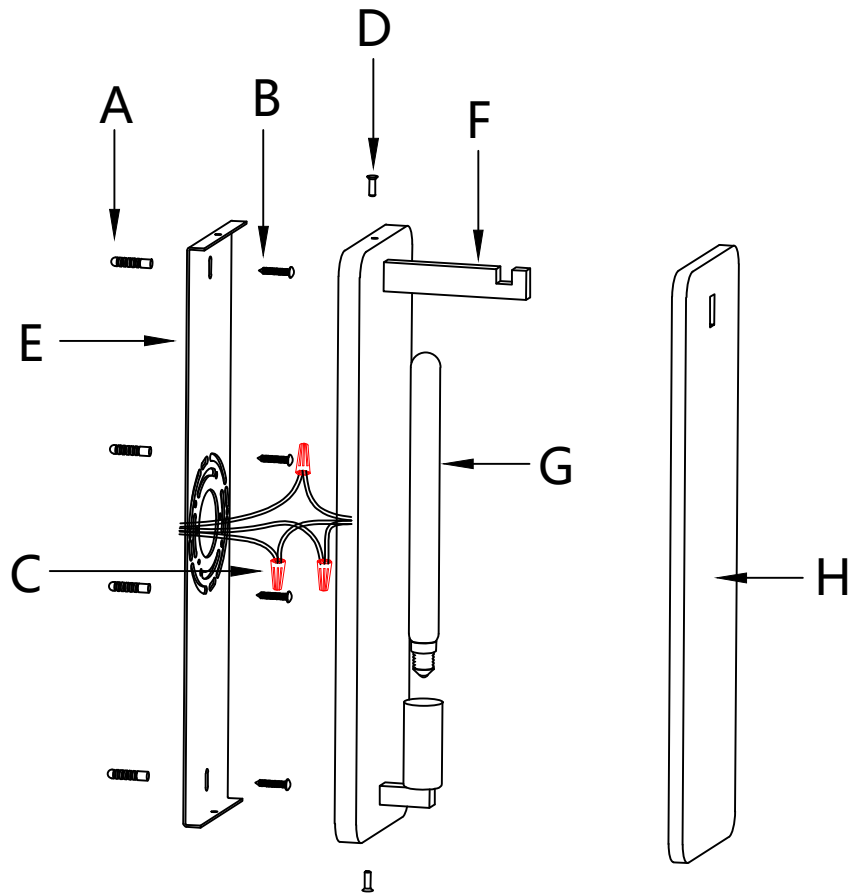


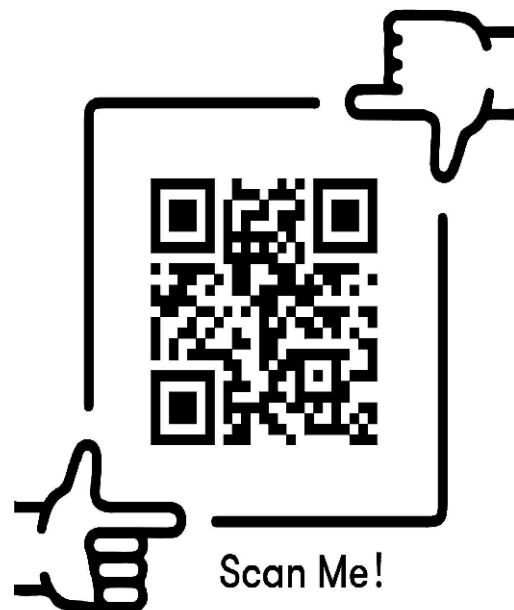
INSTALLATION MANUAL






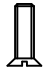

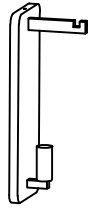


Open the box, and take out all the accessories you will get the following items.



After-sales service E-mail address
:Sunshinevicky@proton.me
Installation Video and Product Website:
Scan the QR Code to Watch:



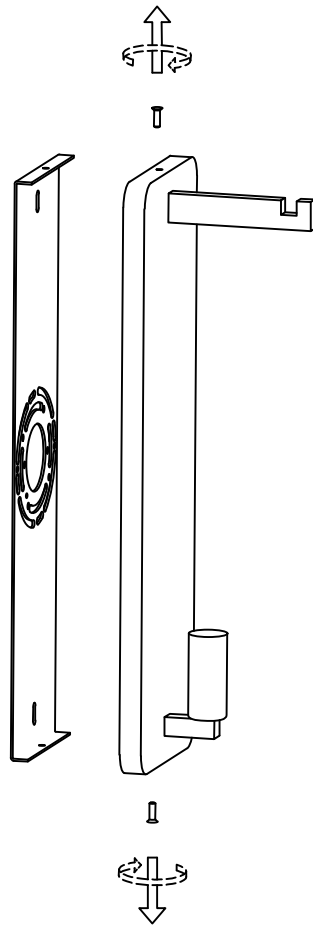
accessories list

				
A*4	B*4	C*3	D*2	E*1
				
F*1	G*1	H*1		

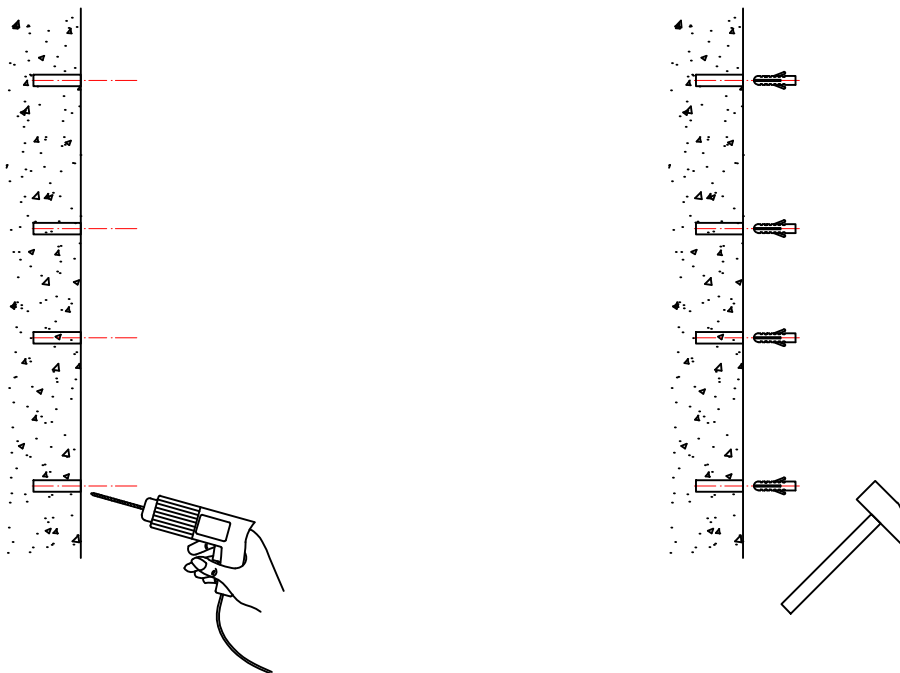
NO.	Specification Name	QT
A	expansion plug	4
B	self-tapping screw	4
C	Wire Connector	3
D	Countersunk screw	2
E	Ceiling Canopy	1
F	Chandelier Body	1
G	E12 Bulb L225mm	1

NO.	Specification Name	QT
H	Spanish marble pendant	1

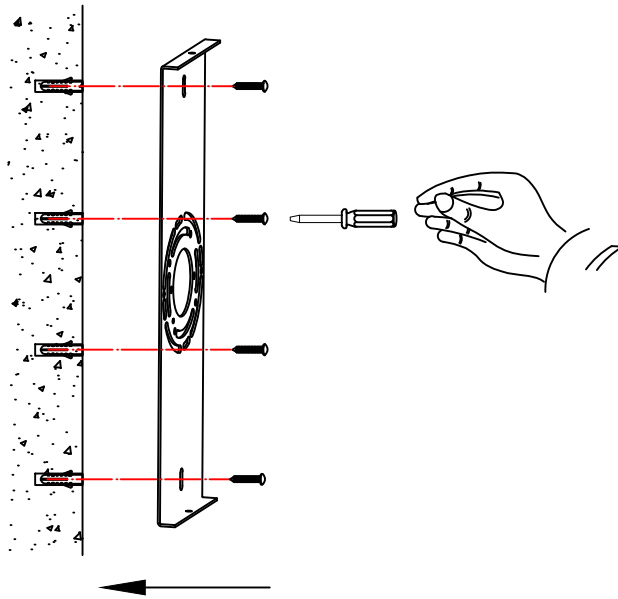
Step 1



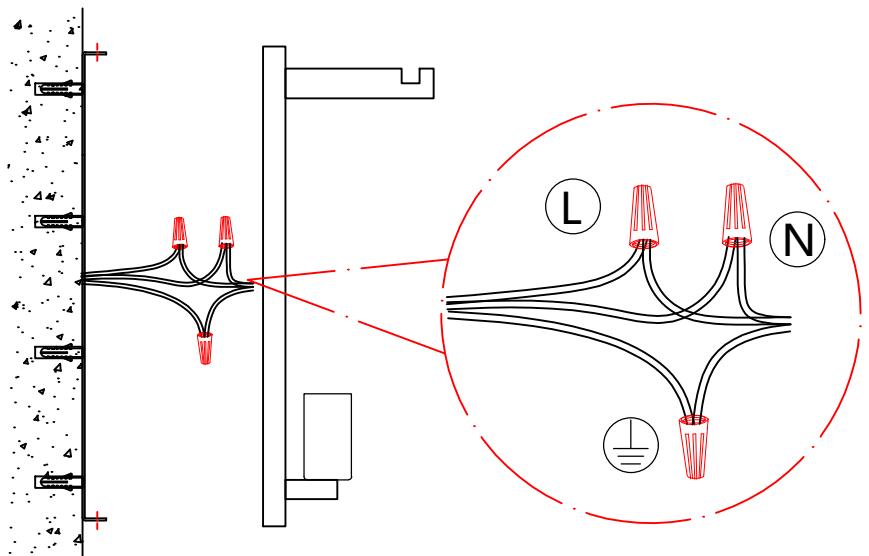
Step 2



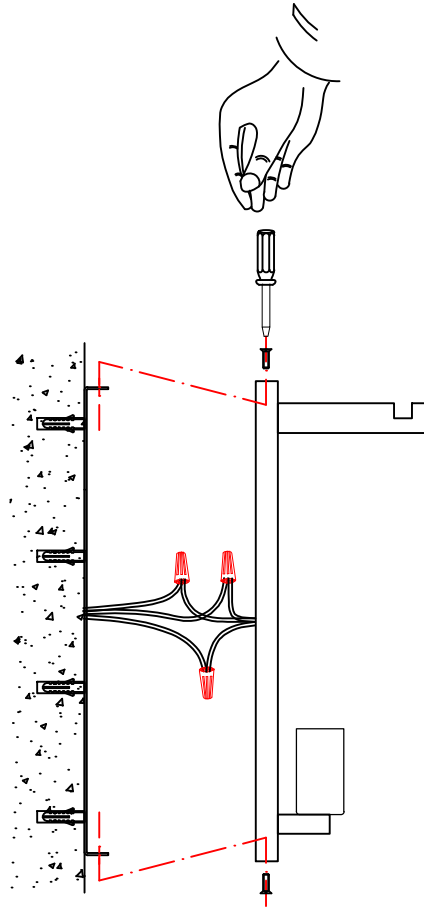
Step 3



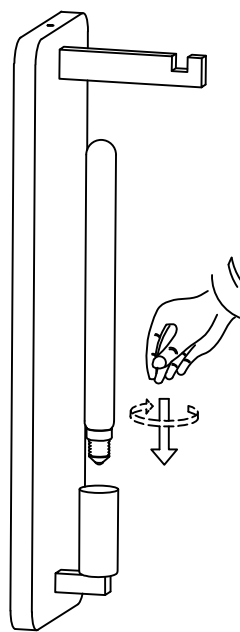
Step 4



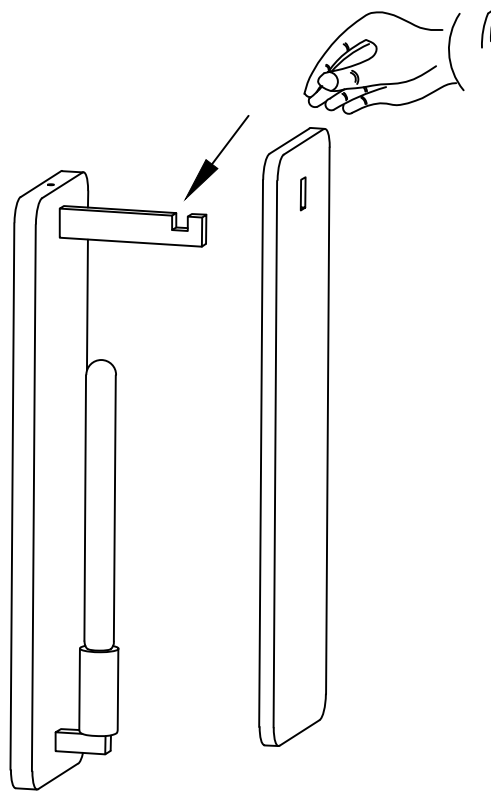
Step 5



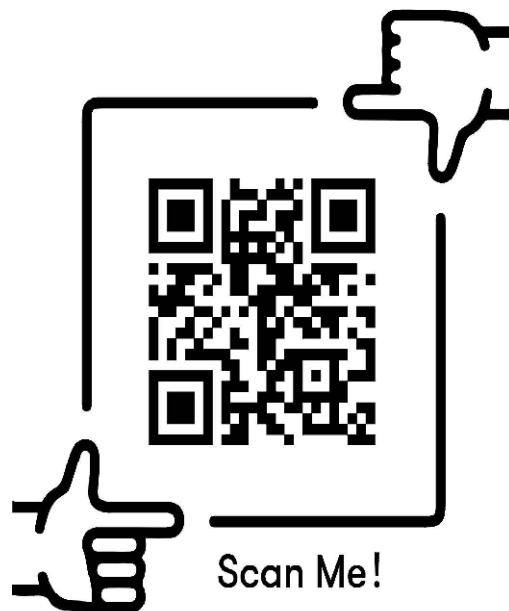
Step 6



Step 7



After-sales service E-mail address
:Sunshinevicky@proton.me
Installation Video and Product Website:
Scan the QR Code to Watch:



No matter what problems or questions you encounter during the installation or use of the chandelier, please feel free to contact us, we will reply to you within 24 hours and quickly solve or answer for you!

When you leave a message to us online, please leave your order ID and case details. The more detailed and accurate descriptions you provide, the faster and more accurate solutions we will offer!



SAFETY INSTRUCTIONS

These instructions are provided for your safety. It is very important that you read the instructions completely before starting the installation of your fixture.

1. We recommend installation by a licensed electrician.
2. This fixture requires E12 bulbs (INCLUDED) and bulb rated wattage: Max 3W. Low wattage LED bulbs are recommended. To avoid risk of fire, do not exceed the recommended wattage.
3. If any special control devices are used with this fixture, follow the instructions carefully to assure full compliance with N.E.C. requirements. If there are any problems, contact a qualified electrical contractor.
4. Please ensure that you shut off the main electrical supply before installation, changing bulbs or cleaning light fixture.



WARNINGS

This is not a toy and the product has no play value.
Keep at least 3 ft away from cribs, bassinets, and toddler beds.
Keep out of reach of children under 3 years old.



PREPARATION

1. Please prepare your purchased E12 bulbs in advance.
2. Please keep the installation place clean and tidy to avoid missing tiny accessories.