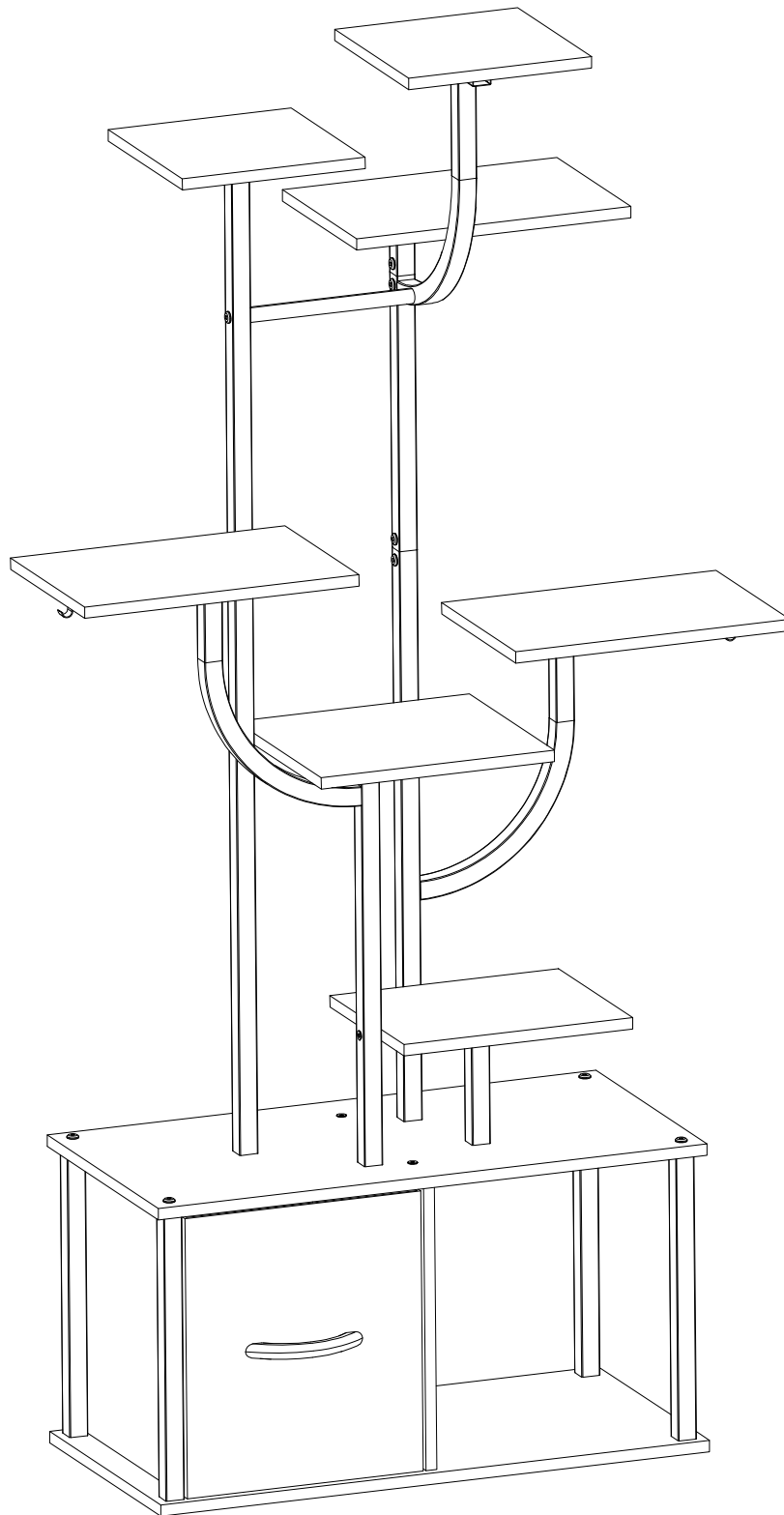
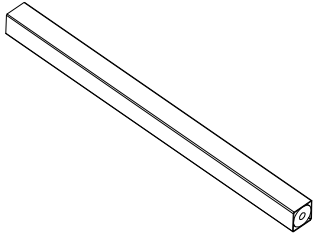


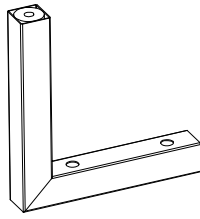
# Assembly Instructions



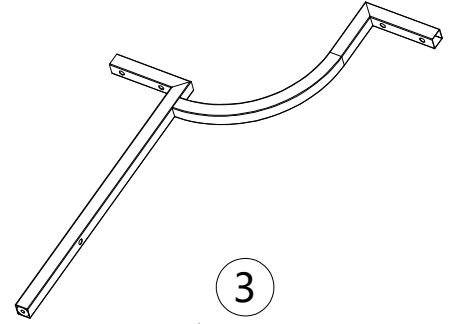
# Part List



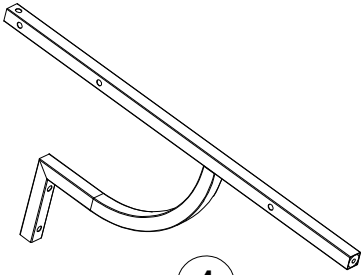
①  
4 pcs



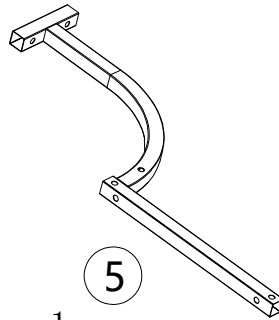
②  
1 pcs



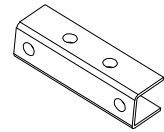
③  
1 pcs



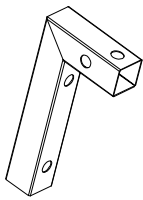
④  
1 pcs



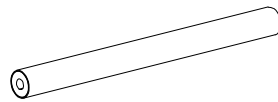
⑤  
1 pcs



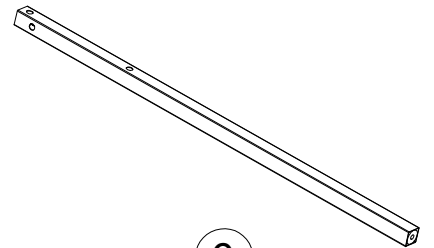
⑥  
3 pcs



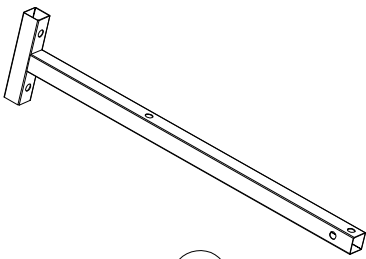
⑦  
1 pcs



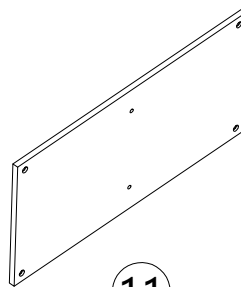
⑧  
1 pcs



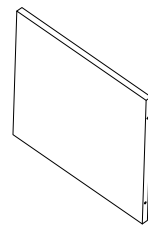
⑨  
1 pcs



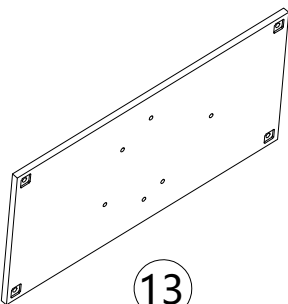
⑩  
1 pcs



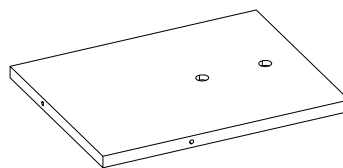
⑪  
1 pcs



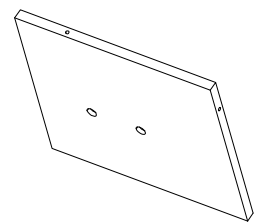
⑫  
1 pcs



⑬  
1 pcs

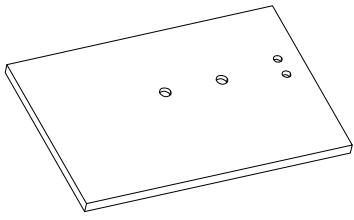


⑭  
1 pcs

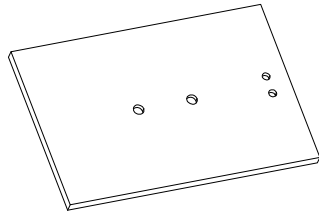


⑮  
1 pcs

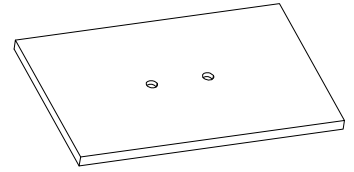
# Part List



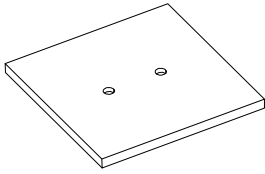
①⑥  
1 pcs



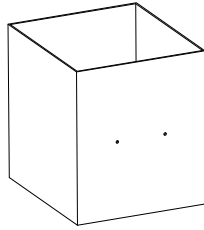
①⑦  
1 pcs



①⑧  
1 pcs

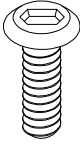
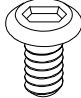
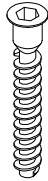
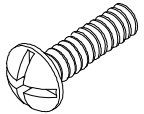
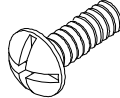
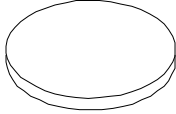
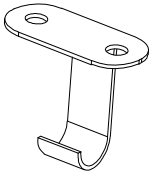
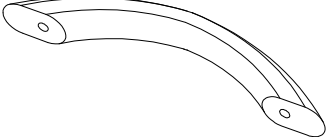
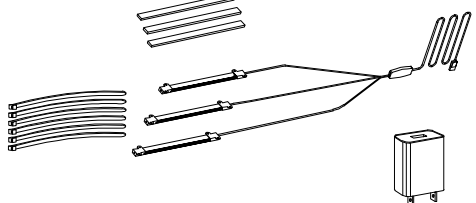
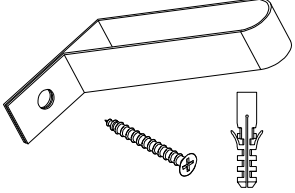
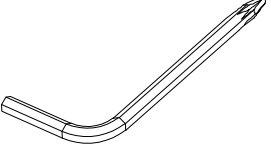


①⑨  
2 pcs

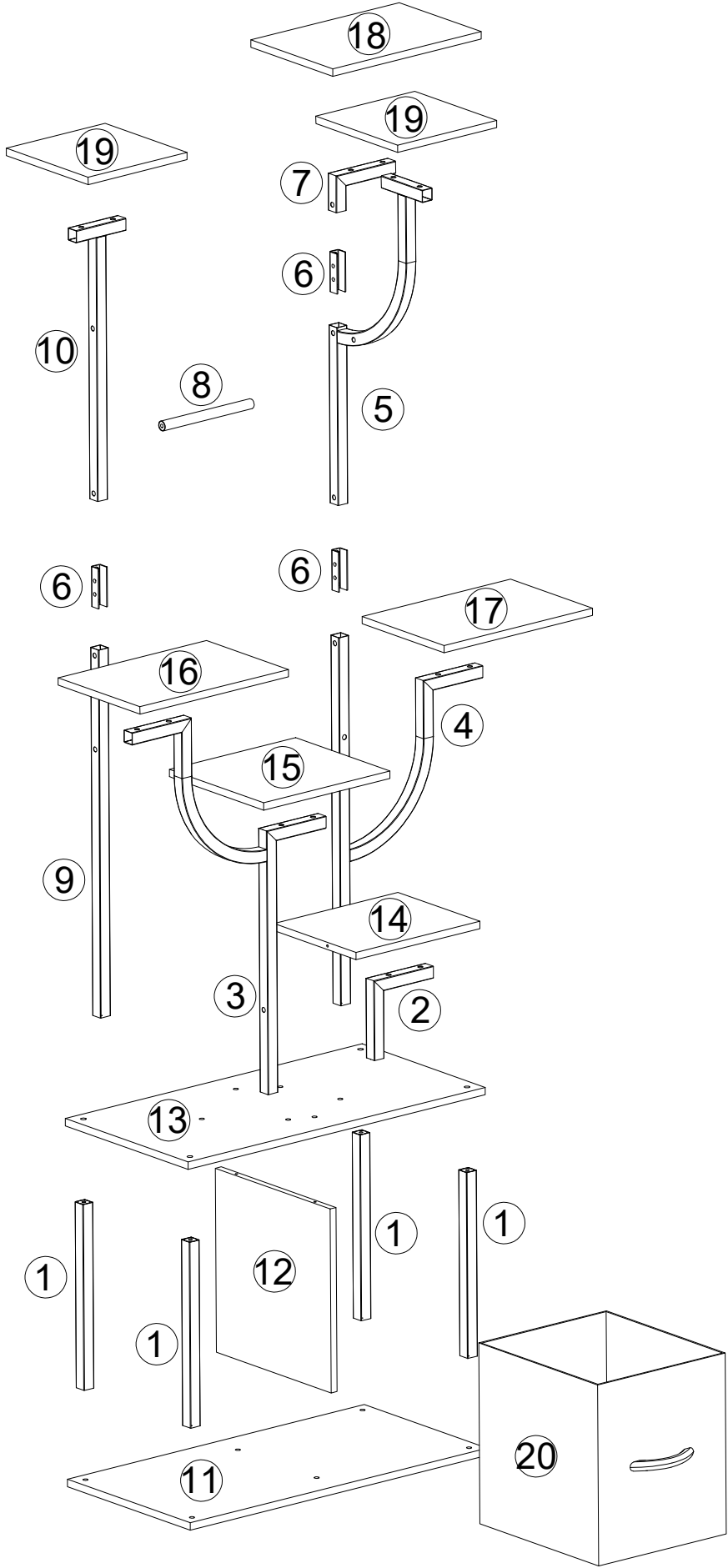


②①  
1 pcs

# Part List

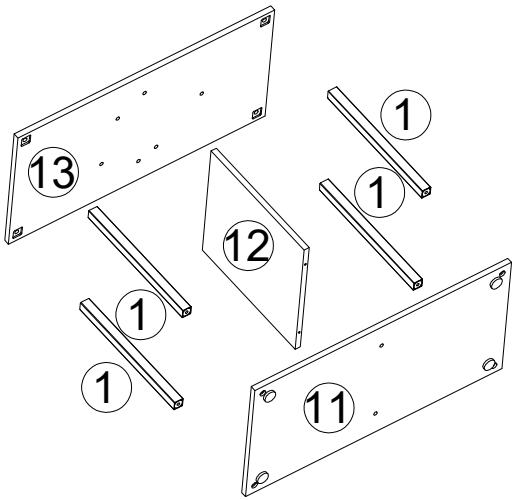
<p>M6X28mm</p>  <p><b>A</b></p> <p>28 pcs</p>	<p>M6X12mm</p>  <p><b>B</b></p> <p>12 pcs</p>	<p>M5X40mm</p>  <p><b>C</b></p> <p>8 pcs</p>
<p>M4X10mm</p>  <p><b>D</b></p> <p>4 pcs</p>	<p>M4X8mm</p>  <p><b>E</b></p> <p>2 pcs</p>	<p>Ø25×5MM</p>  <p><b>F</b></p> <p>4 pcs</p>
 <p><b>G</b></p> <p>2 pcs</p>	 <p><b>H</b></p> <p>1 pcs</p>	 <p><b>I</b></p> <p>1 set</p>
 <p><b>J</b></p> <p>1 pcs</p>	 <p><b>K</b></p> <p>1 pcs</p>	

# Exploded view of the cabinet

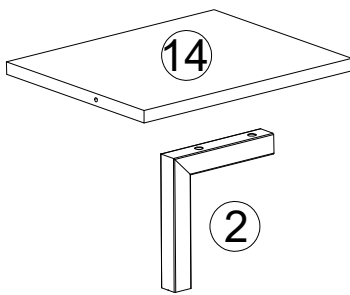


It is divided into four steps of ABCDE

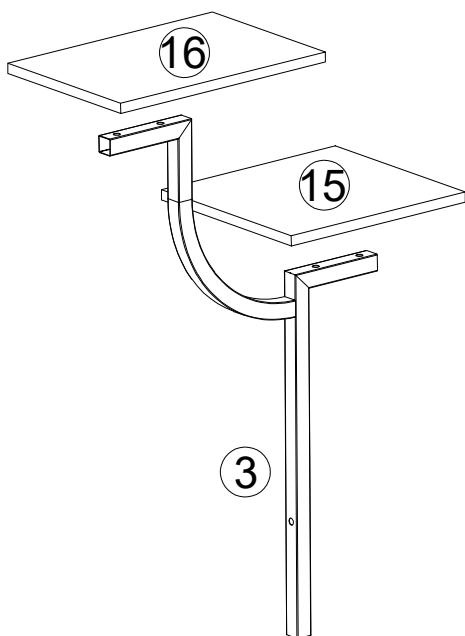
### Module A



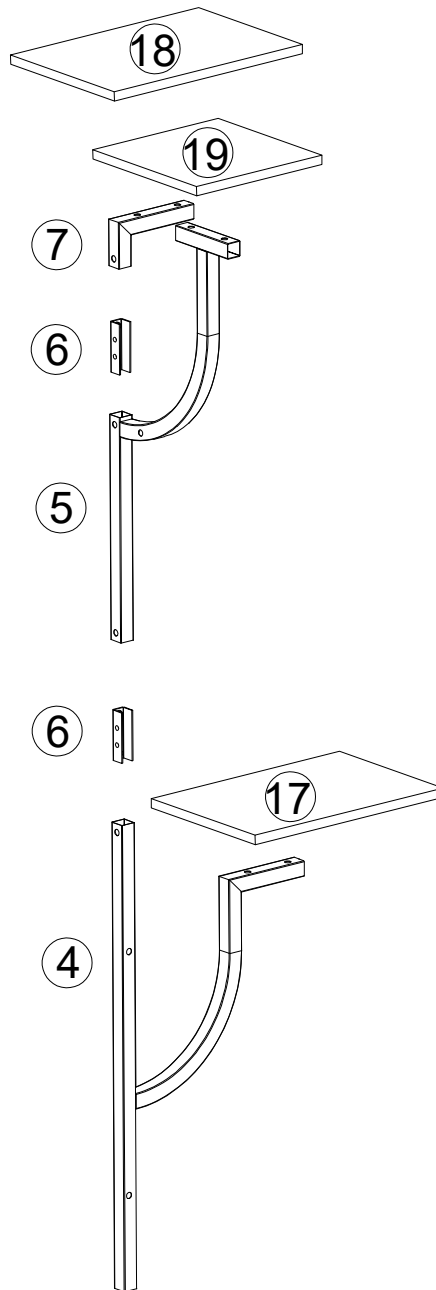
### Module B



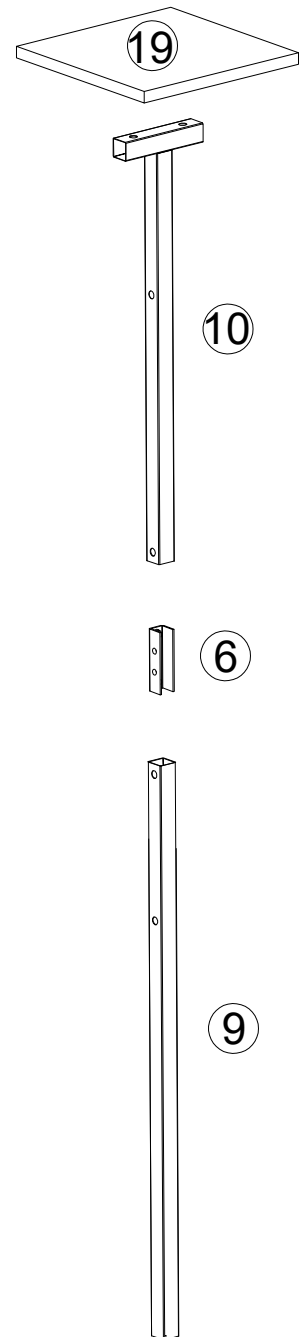
### Module C



### Module D

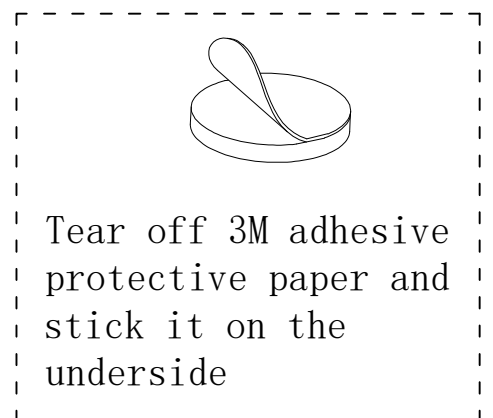
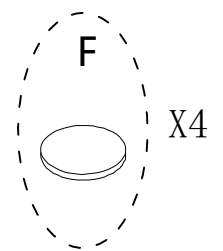
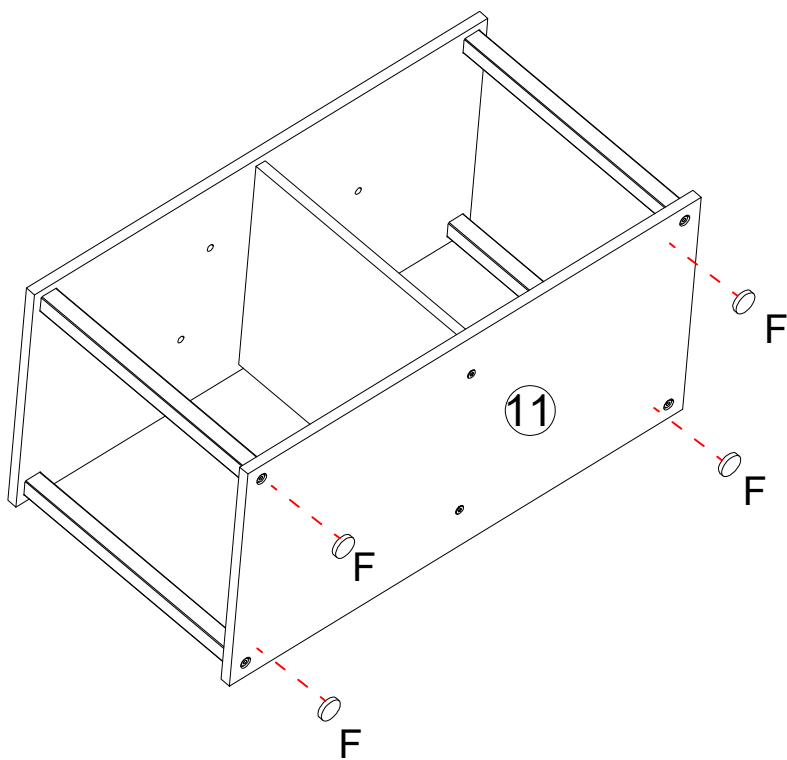
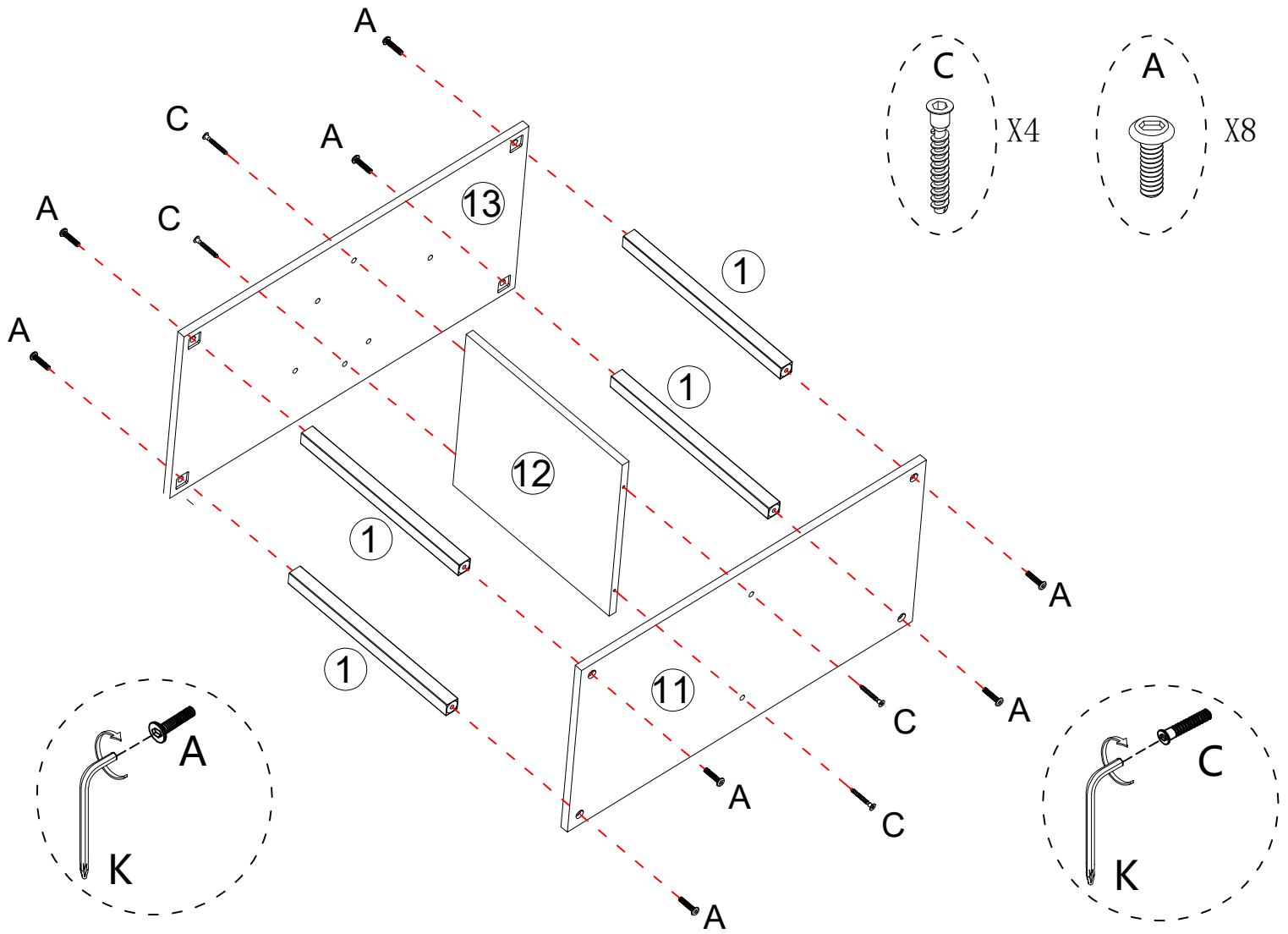


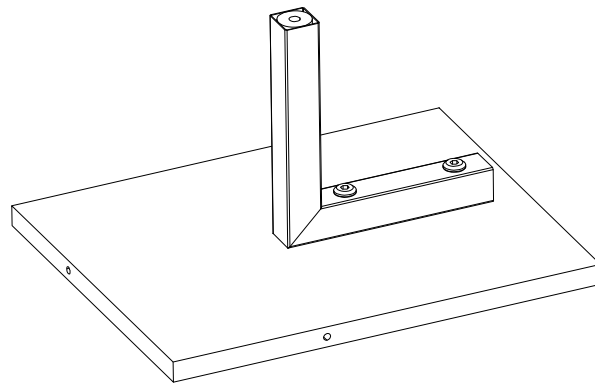
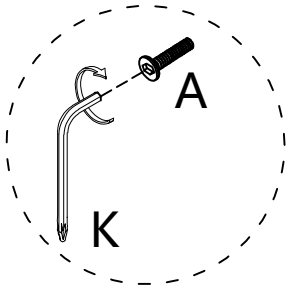
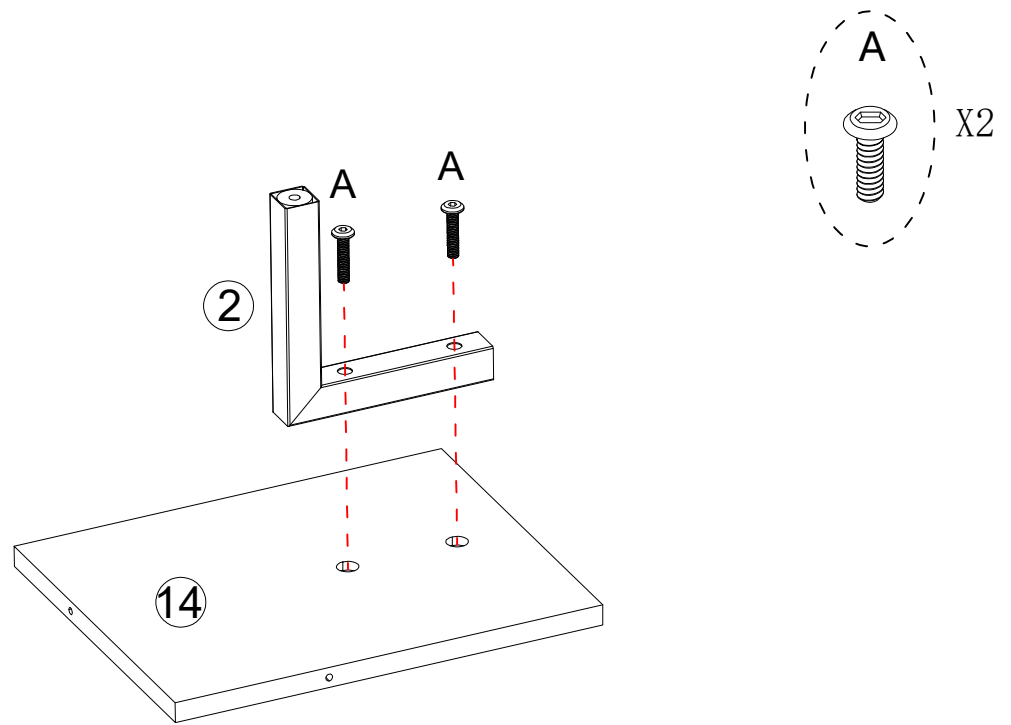
### Module E



# 1

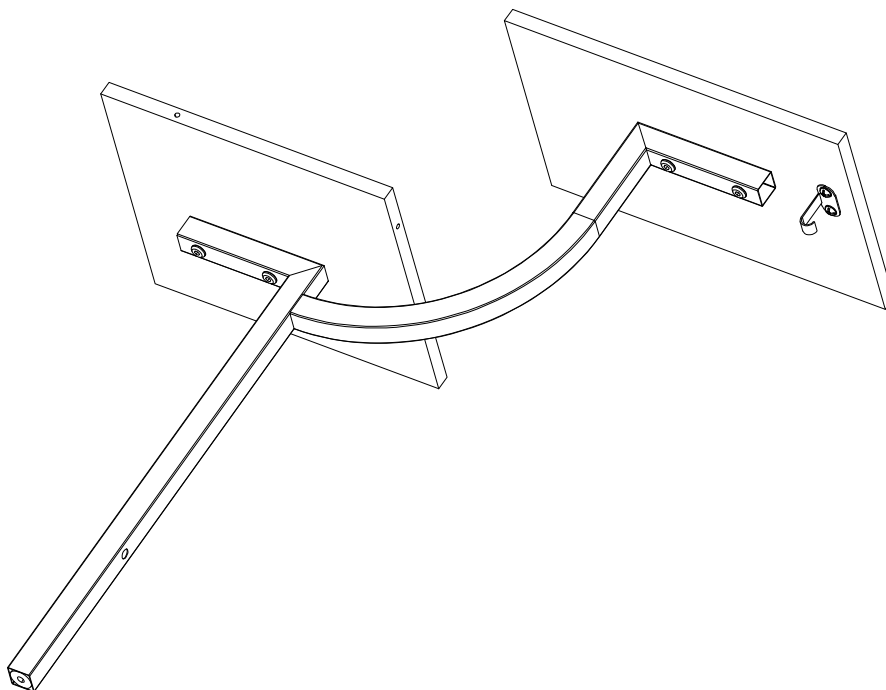
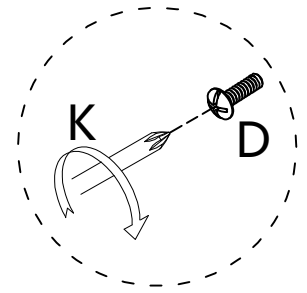
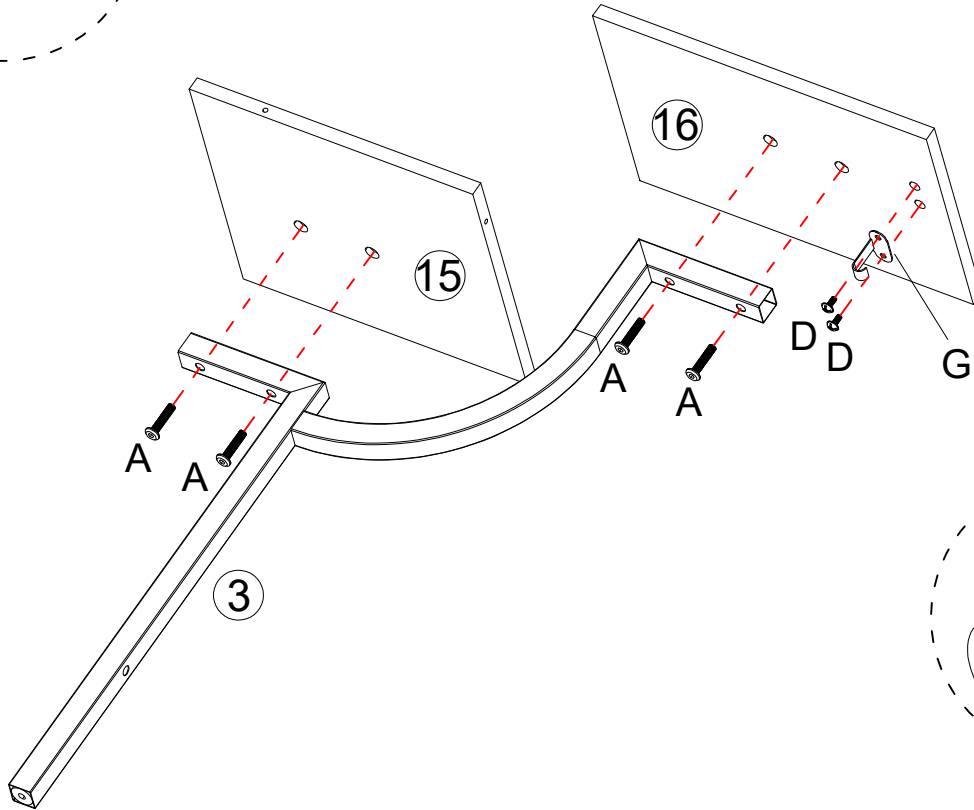
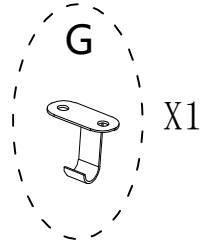
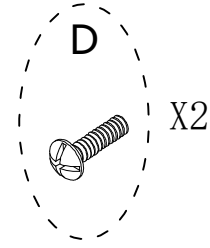
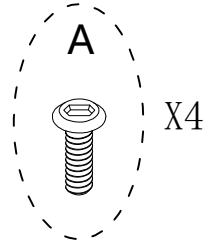
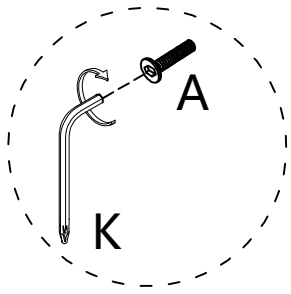
# Module A



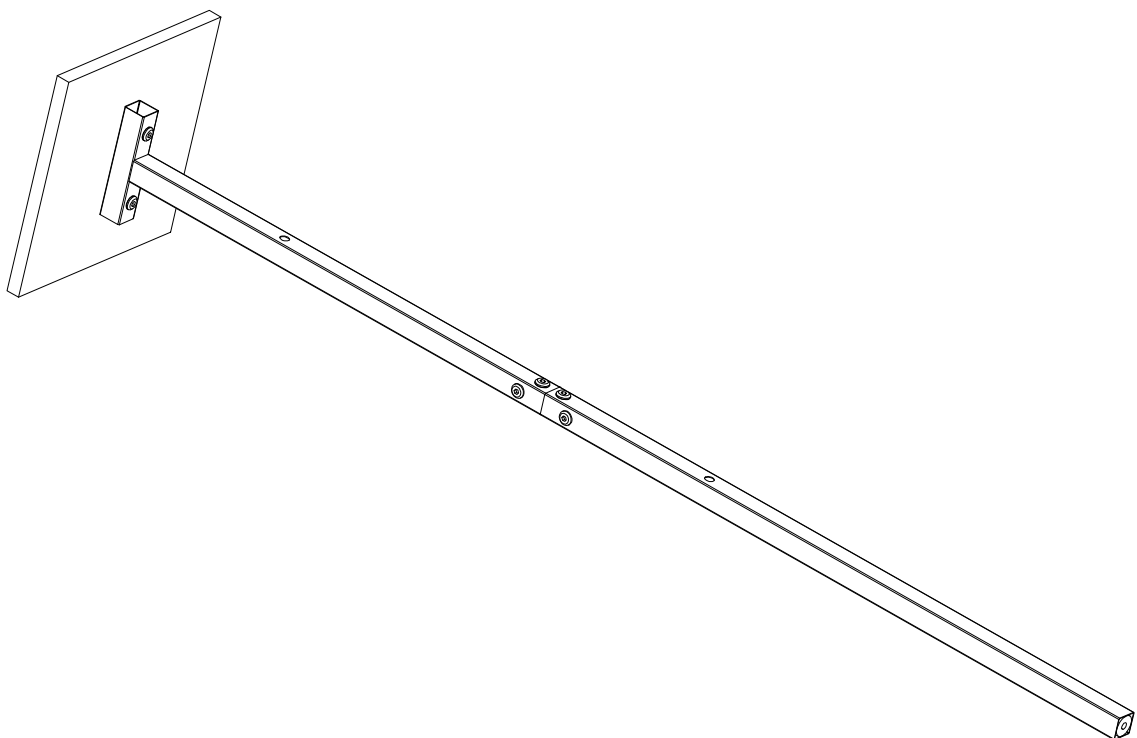
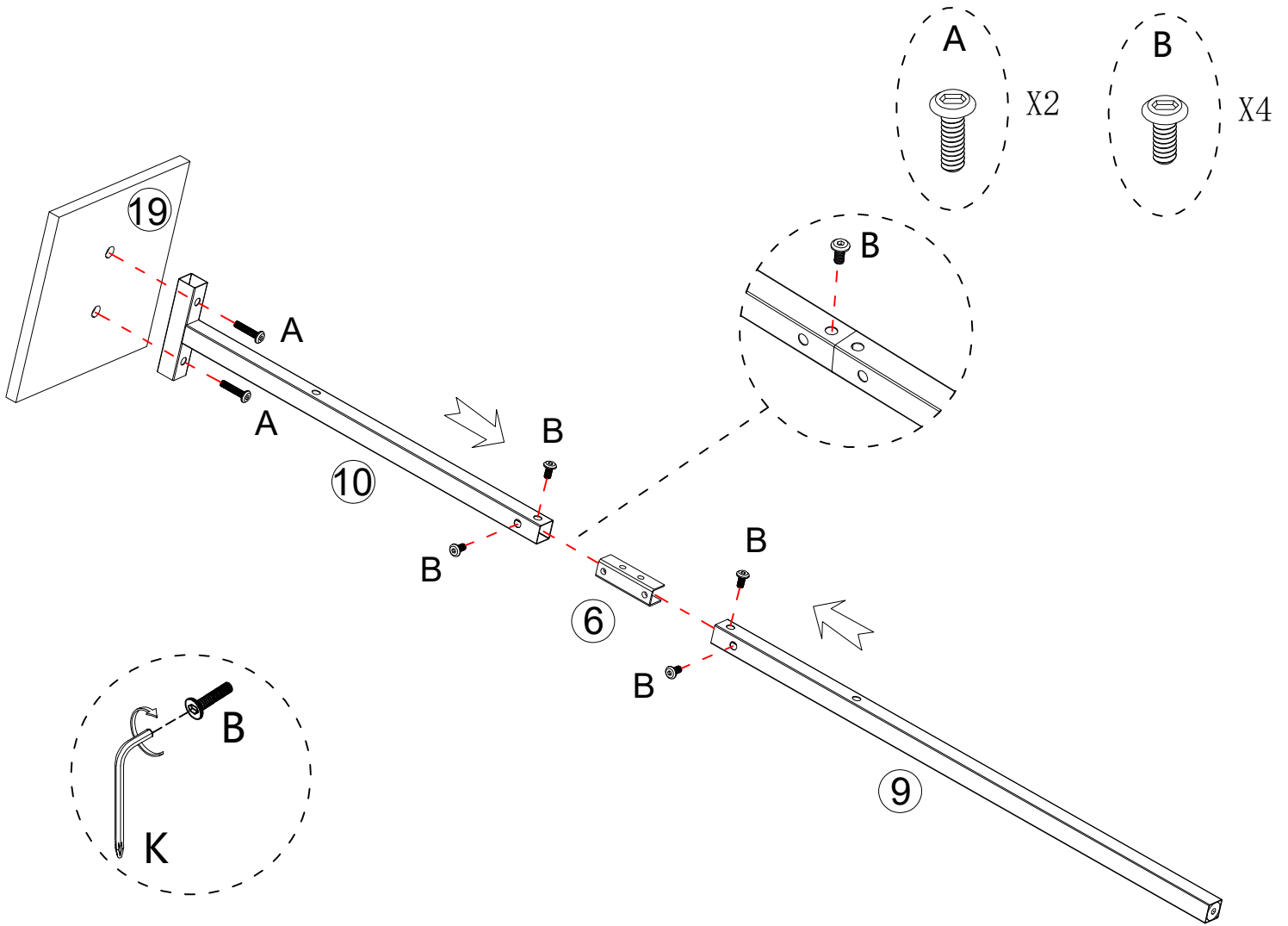


# 3

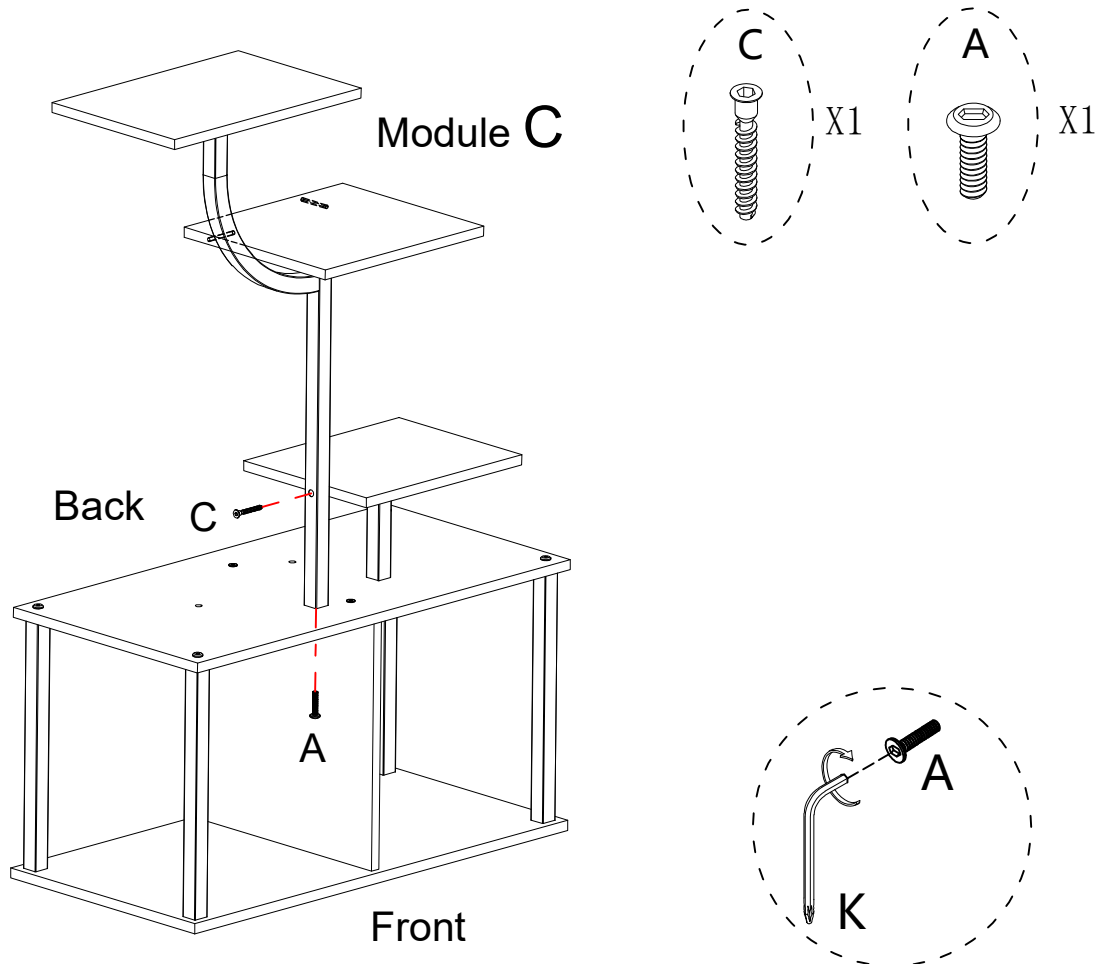
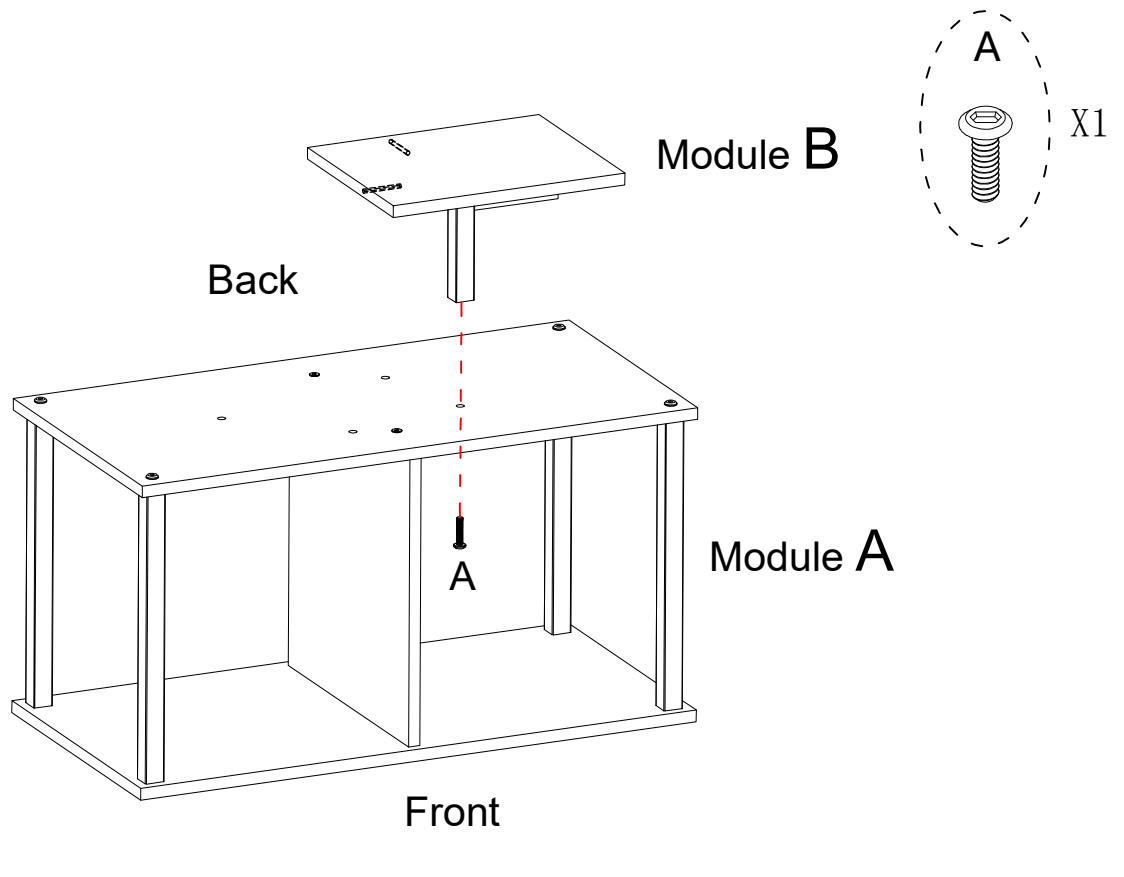
# Module C



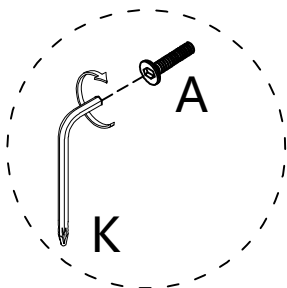
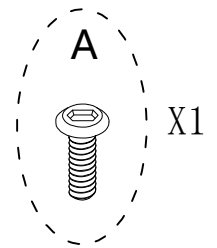
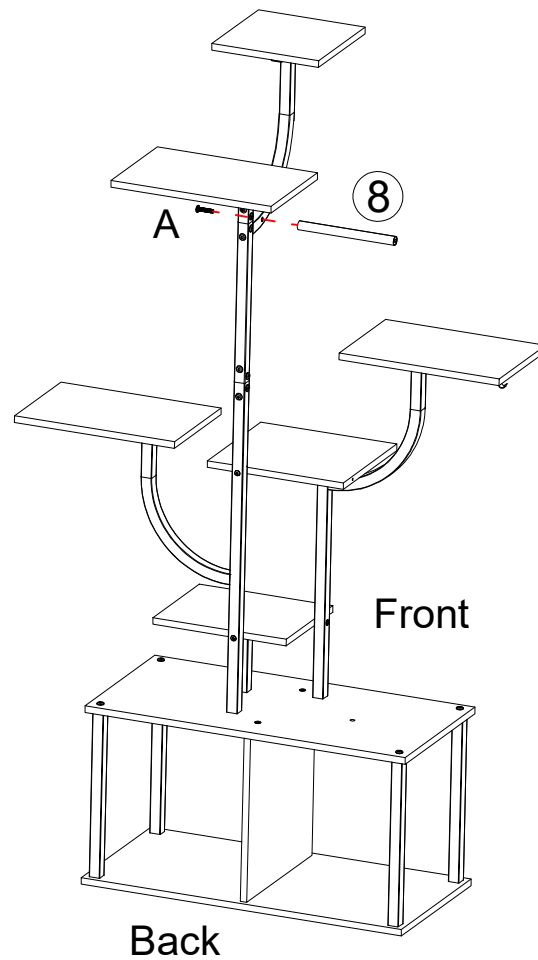
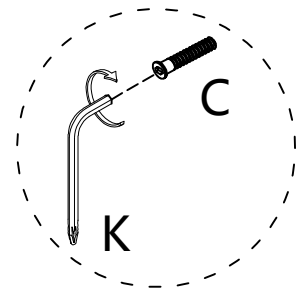
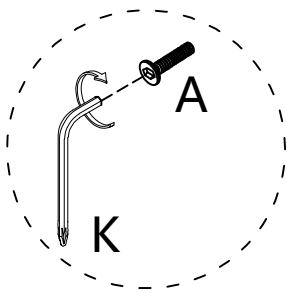
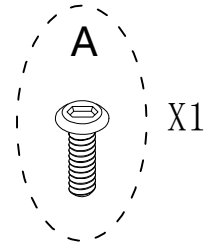
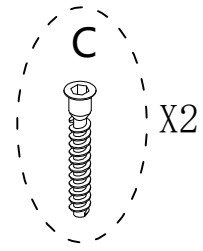
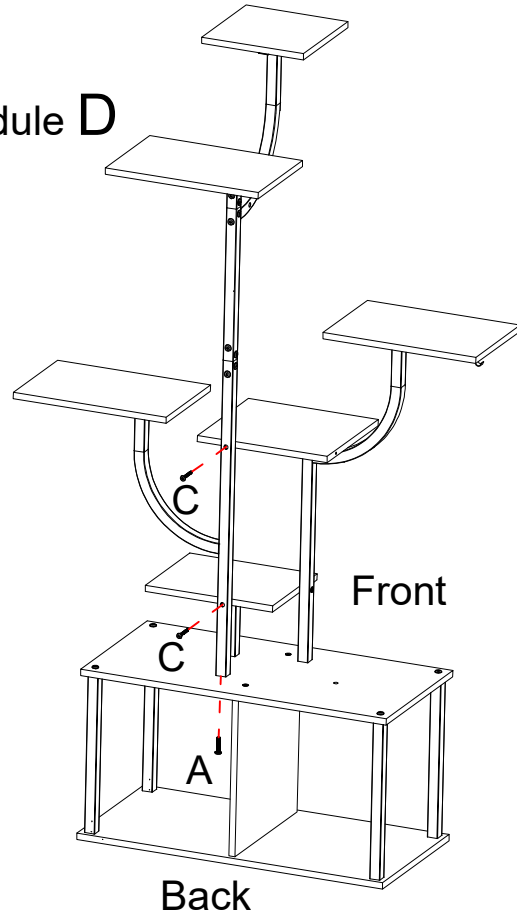


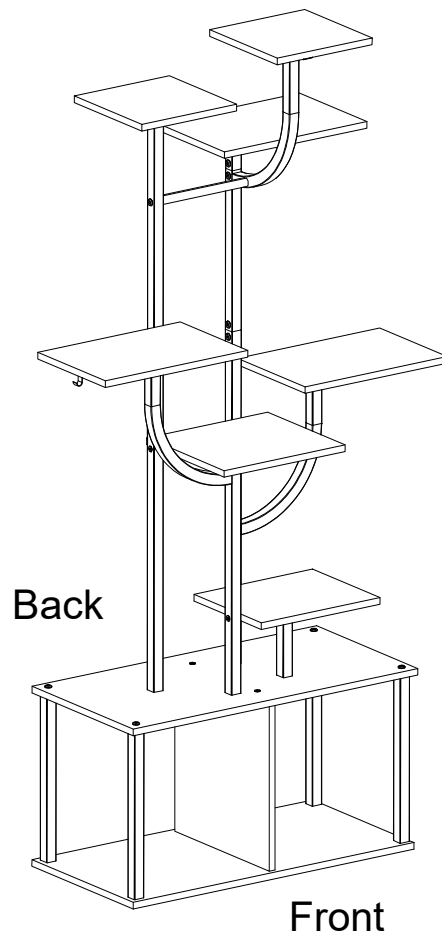
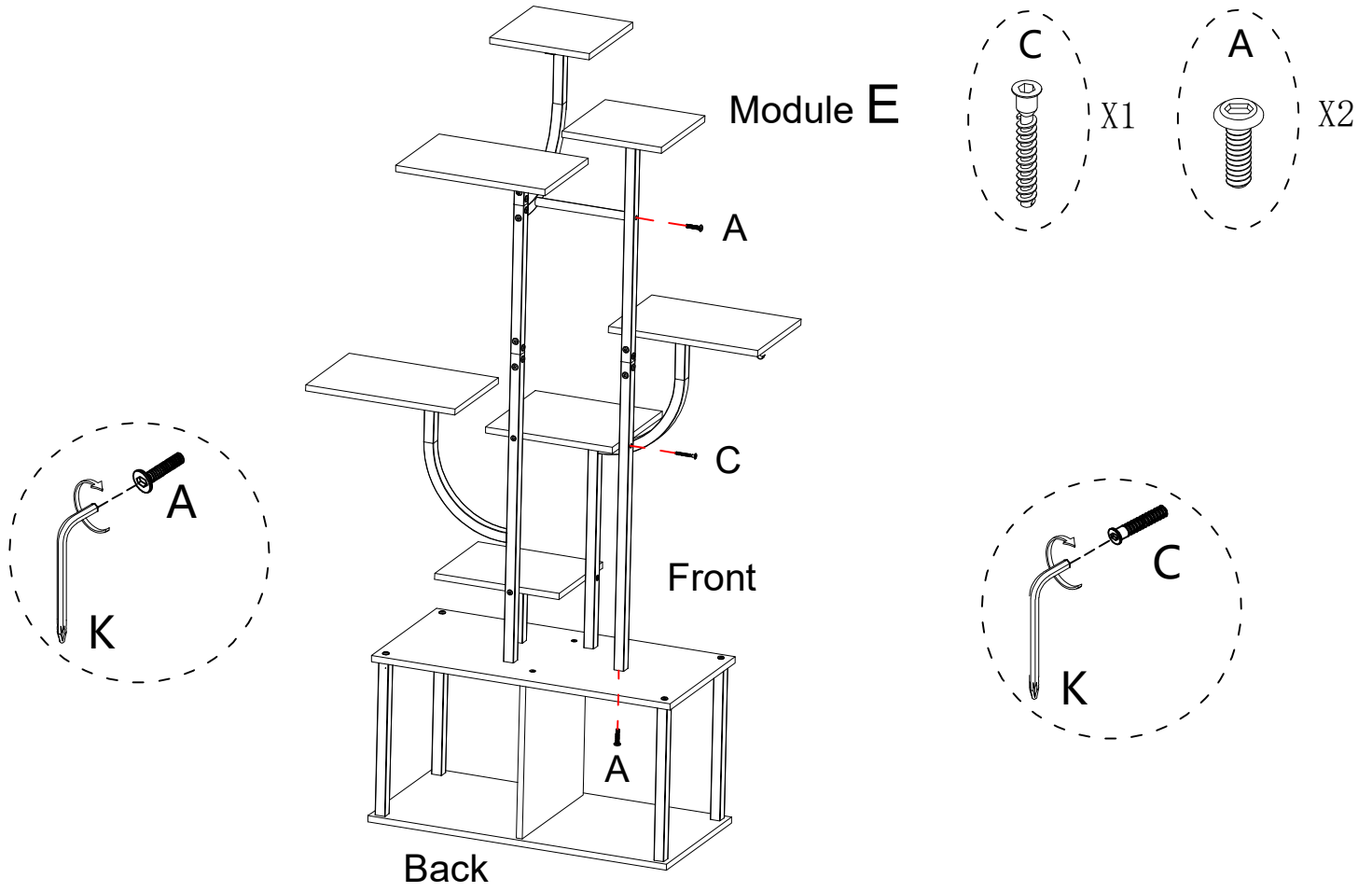


# 6

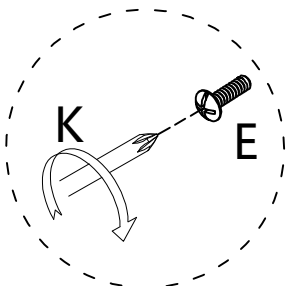
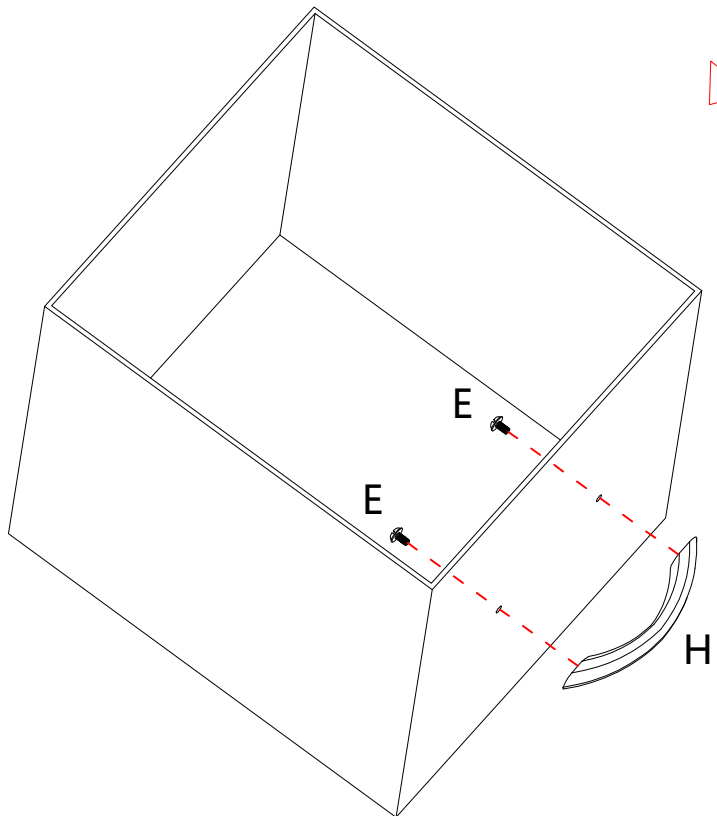
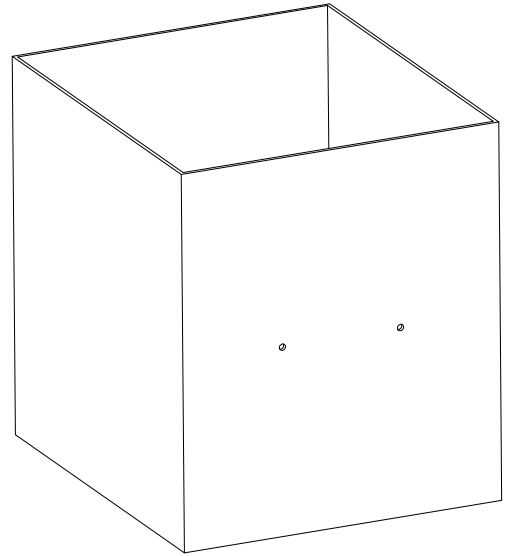
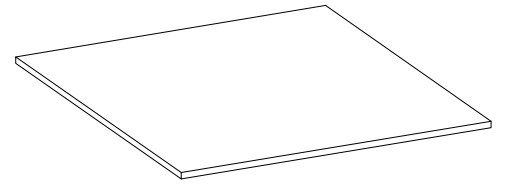
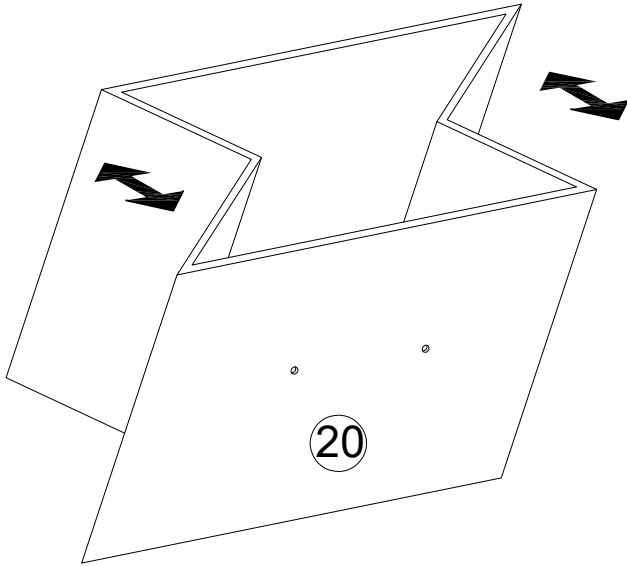
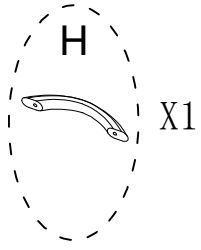
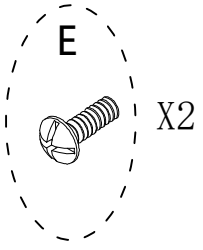


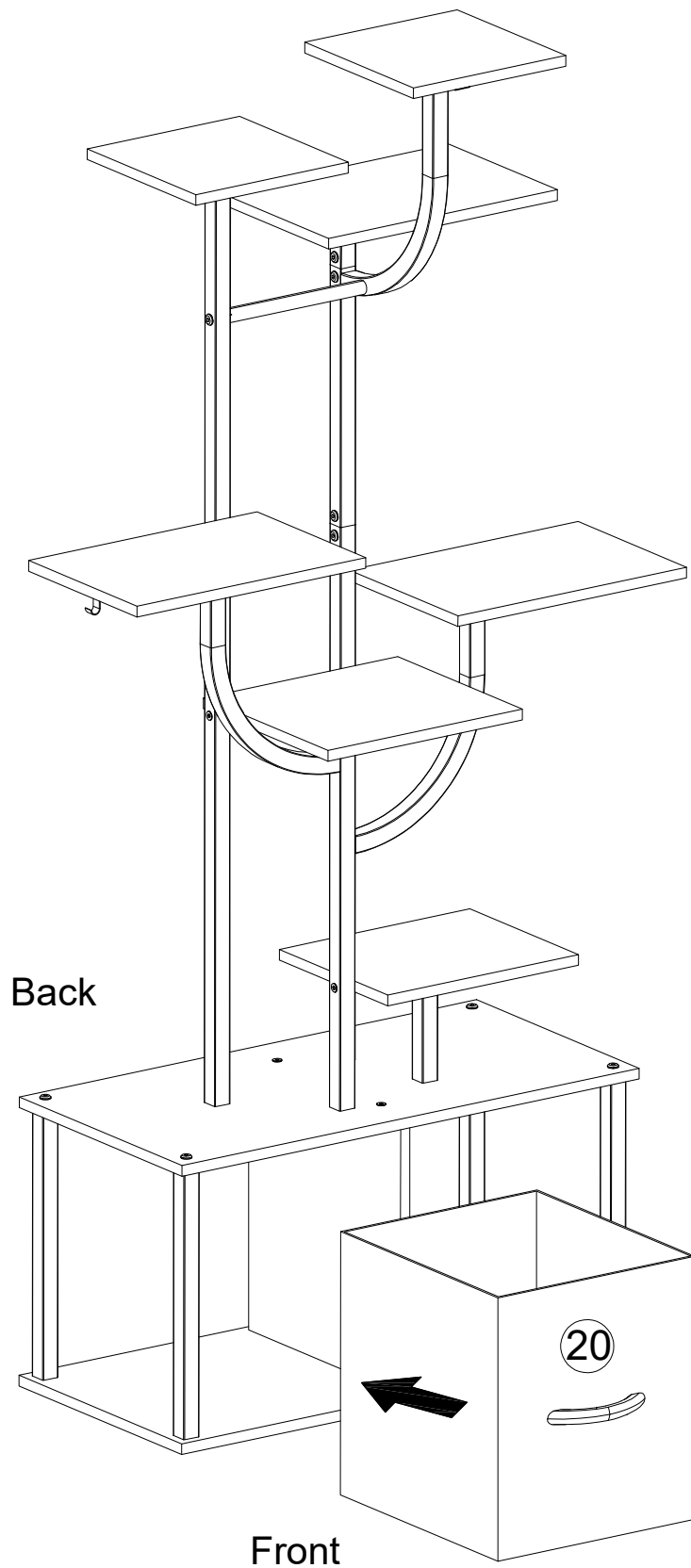
Module D

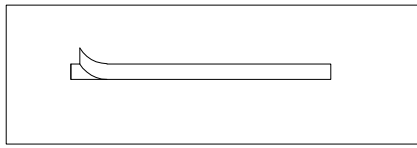




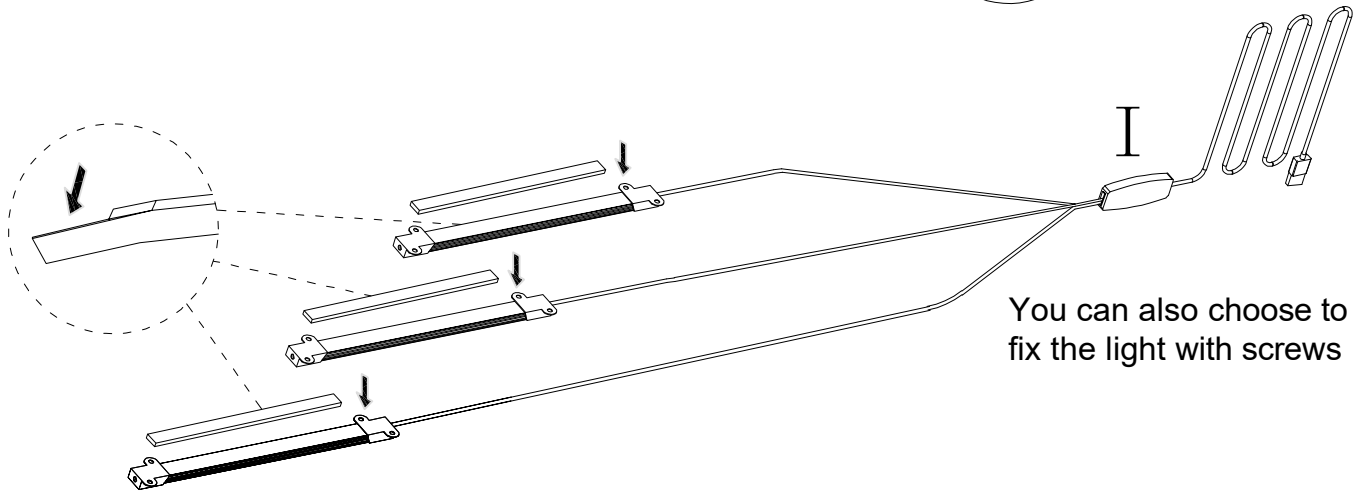
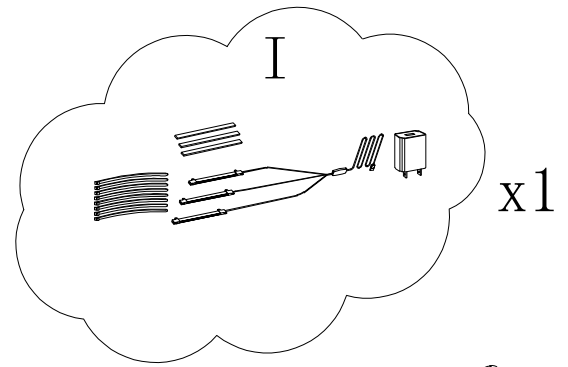
# 9



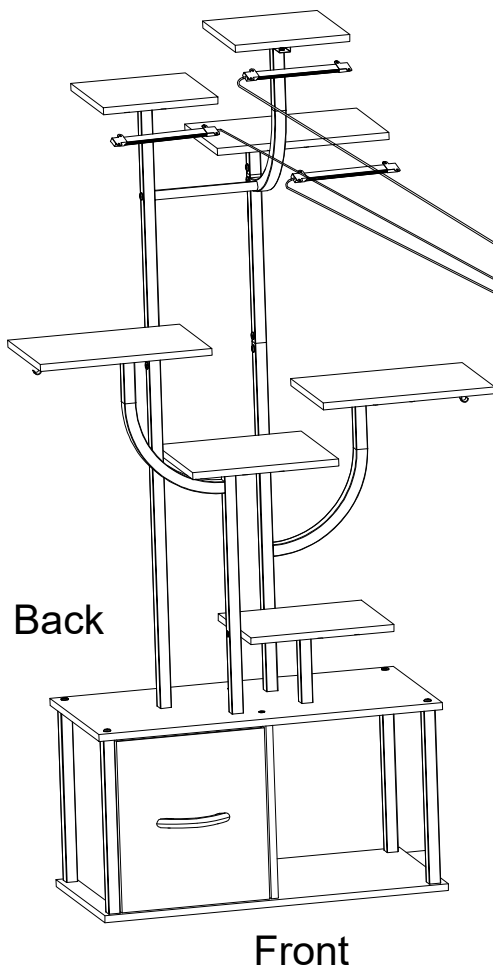




Carefully remove the plastic film behind the light strip



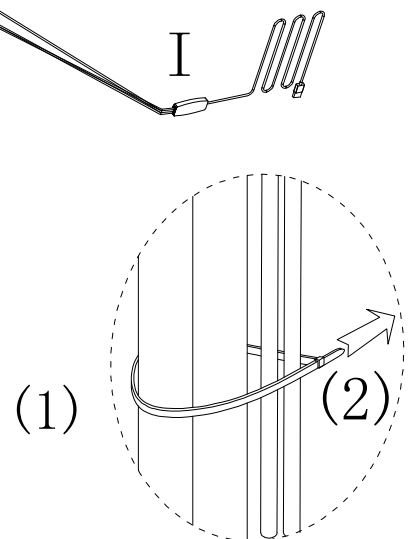
You can also choose to fix the light with screws



(1) : The light strip can be pasted to the desired position according to your own needs.

(2): Tie the wire with black strips.

Route the wire along the edge of the plant stand and secure it with zip ties to make the light wire more concealed.



# 12

## Install the tipping restraint hardware

