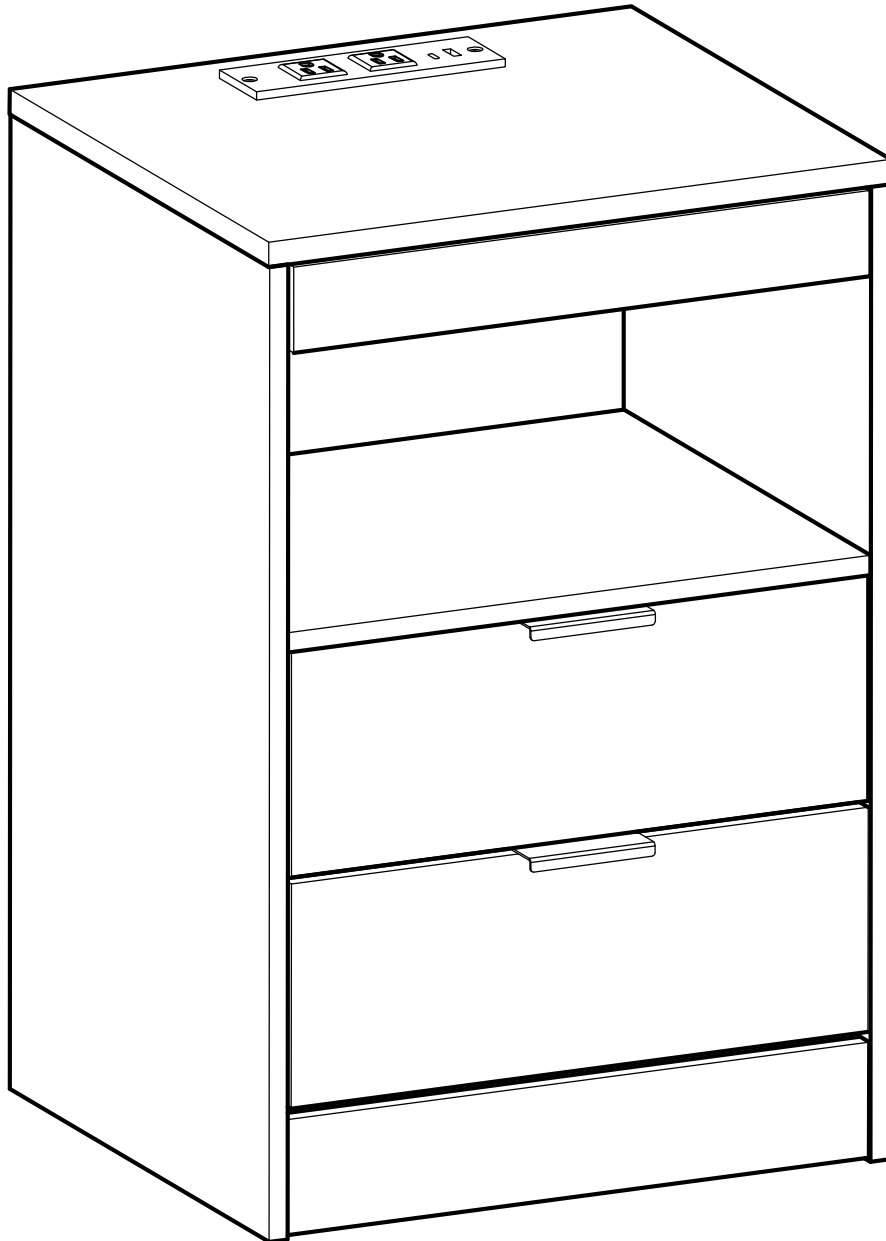


Side Table

ASSEMBLY INSTRUCTIONS



General Guidelines

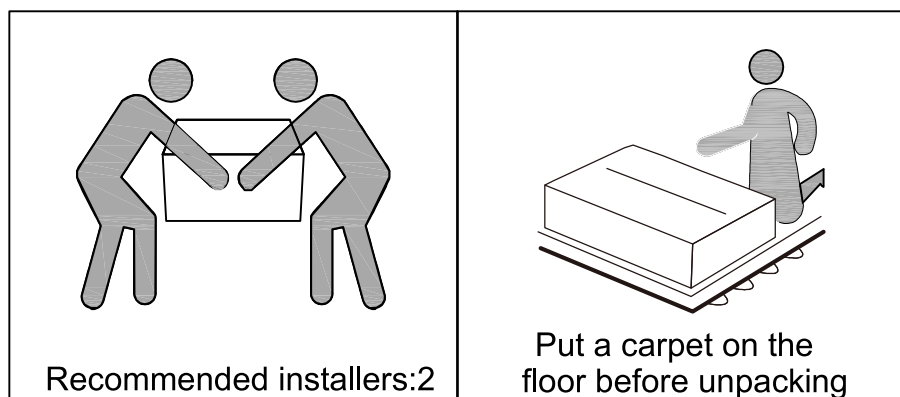
- * Please read the following instruction carefully and use the product accordingly.
- * Please keep this manual and hand it over when you transfer the product.
- * This summary may not include every detail of all variations and considered steps. Please contact us when further information and help are needed.

Notes

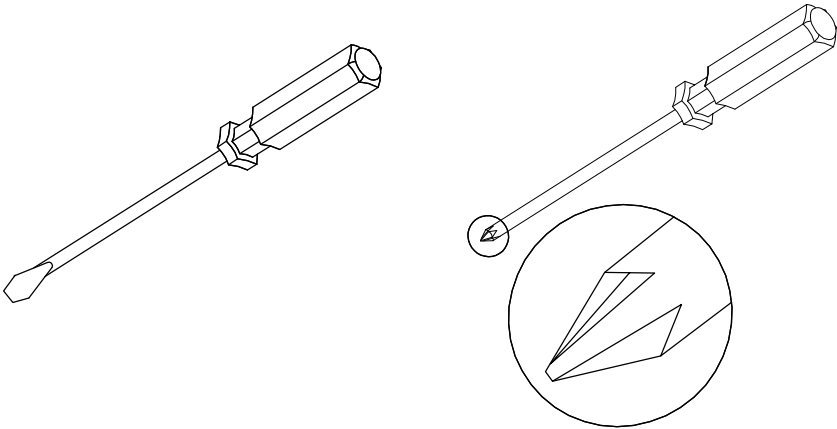
- * The product is intended for indoor use only. The product must be assembled and used in accordance with the provisions of the manual. Personal injury and/or damage to product may occur if products are used outside of their intended purposes and/or if products have been changed/modified from their original design. The seller does not assume any responsibility or liability with respect to any injury/damage caused by incorrect assembly or improper use.
- * If there are any defective or missing parts after unpacking, please cease assembly immediately and contact us.
- * Please wear gloves during the assembly and/or disassembly process to avoid scratches from any sharp edges..
- * Please place this item on level, solid ground during use.
- * Avoid long-term exposure to humid environments to prevent mildew.
- * Keep the product away from fire sources and high temperatures. Do not expose the product to direct sunlight.
- * Do not place any hot objects on the surface of the product.
- * **Do not fully tighten the screws during initial assembly. Fully tighten screws only once all pieces which are correctly assembled**

Warnings

- * Children are not allowed to assemble the product. During assembly, keep all any small parts out of the reach of children as they may be fatal if swallowed or inhaled.
- * Children are forbidden to climb or play on the product to avoid serious bodily injury caused by the toppling.
- * Keep plastic packing bags out of reach of children to avoid any potential danger, such as suffocation.



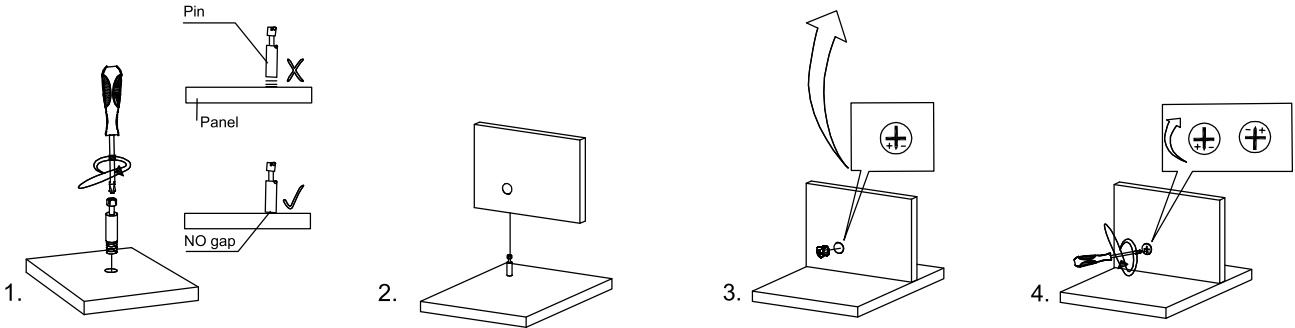
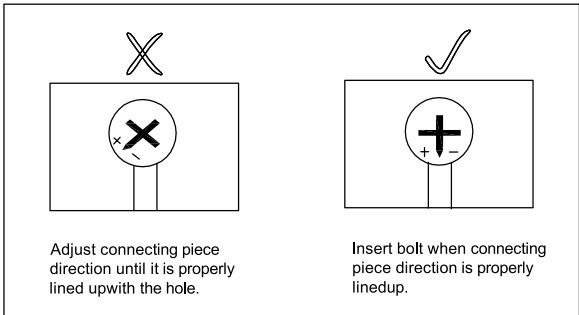
ASSEMBLY TOOLS REQUIRED (NOT INCLUDED)



Bolt

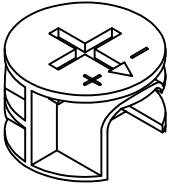


Connecting piece



Hardware Provided

1



X 22+1

2



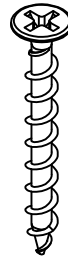
X 22+1

3



X 14+2

4



M4*35mm

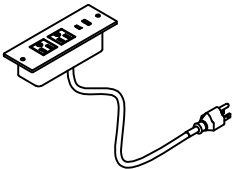
X 8+2

5



X 34+2

6



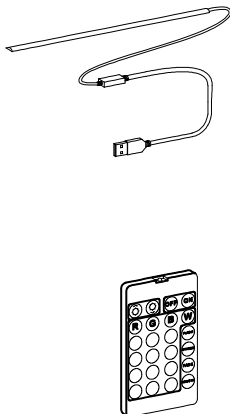
X 1

7



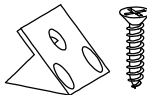
X 2

8



X 1

9



X 6

10



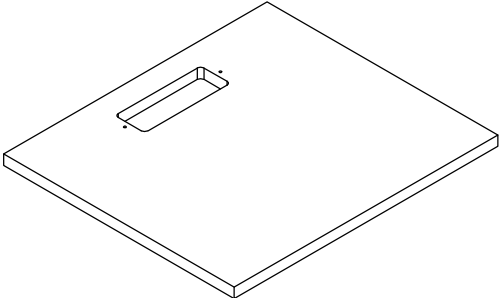
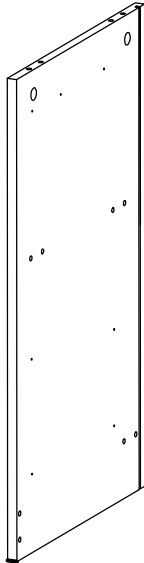
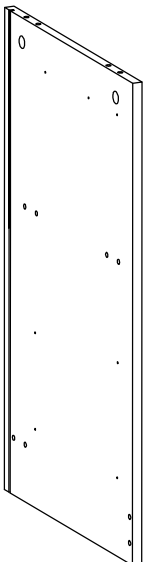
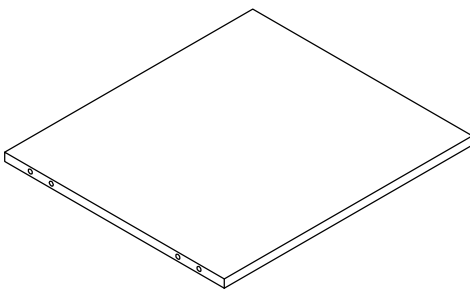
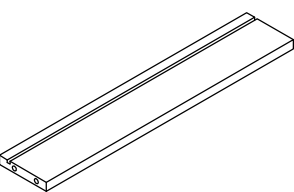
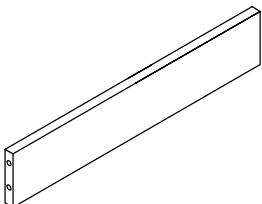
X 1

11

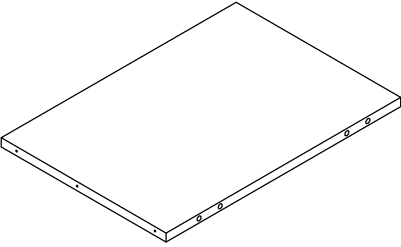
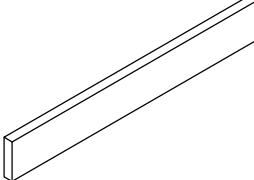
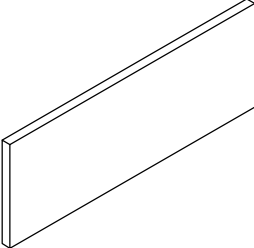
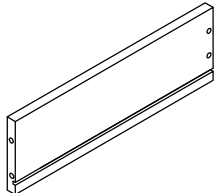
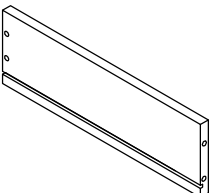
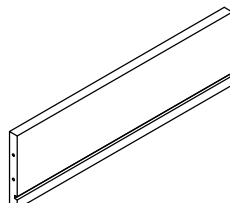


X 2

Parts Identification

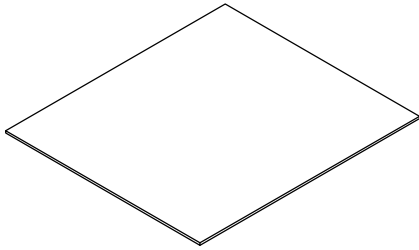
<p>A</p>  <p>X 1</p>	<p>B</p>  <p>X 1</p>
<p>C</p>  <p>X 1</p>	<p>D</p>  <p>X 1</p>
<p>E</p>  <p>X 1</p>	<p>F</p>  <p>X 1</p>

Parts Identification

<p>G</p>  <p>X 1</p>	<p>H</p>  <p>X 1</p>
<p>I</p>  <p>X 2</p>	<p>J</p>  <p>X 2</p>
<p>K</p>  <p>X 2</p>	<p>L</p>  <p>X 2</p>

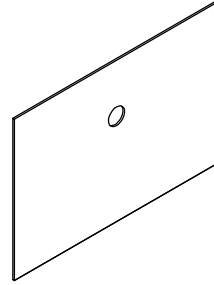
Parts Identification

M



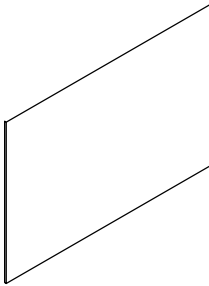
X 2

N



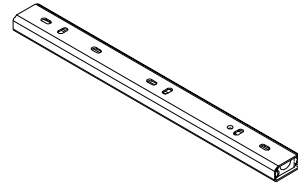
X 1

O



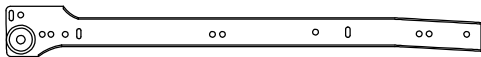
X 1

P



X 2

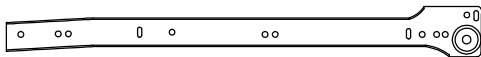
Q



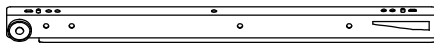
CL



DL



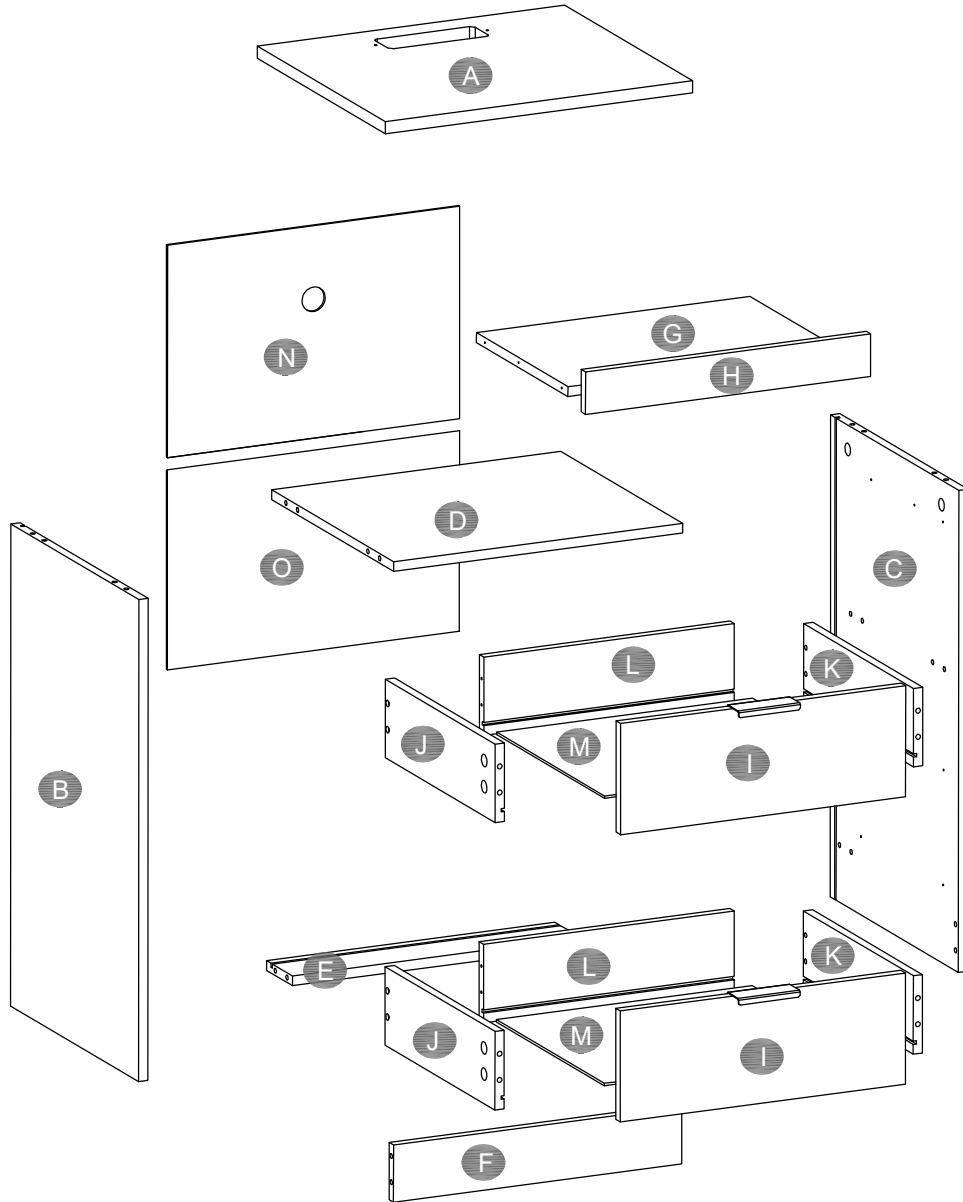
CR



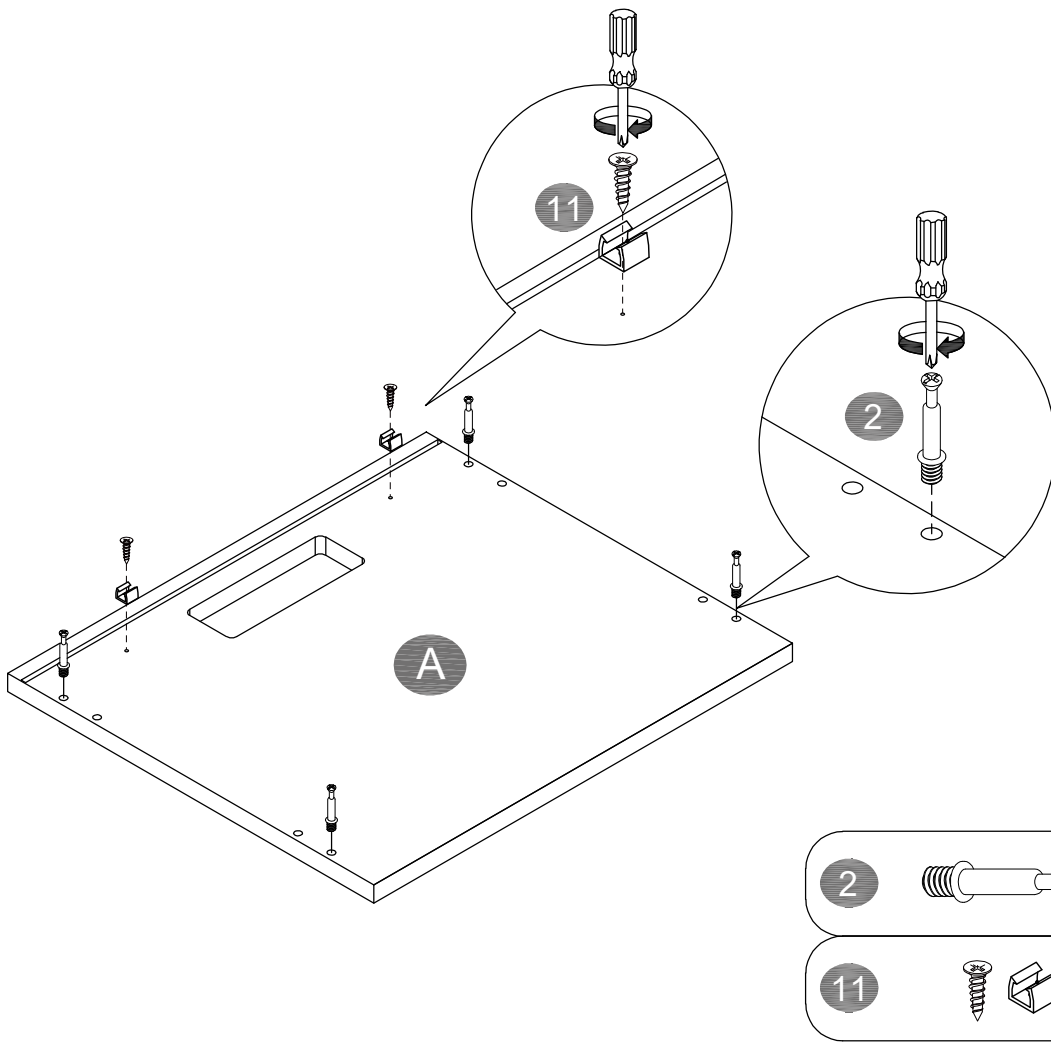
DR

X 2

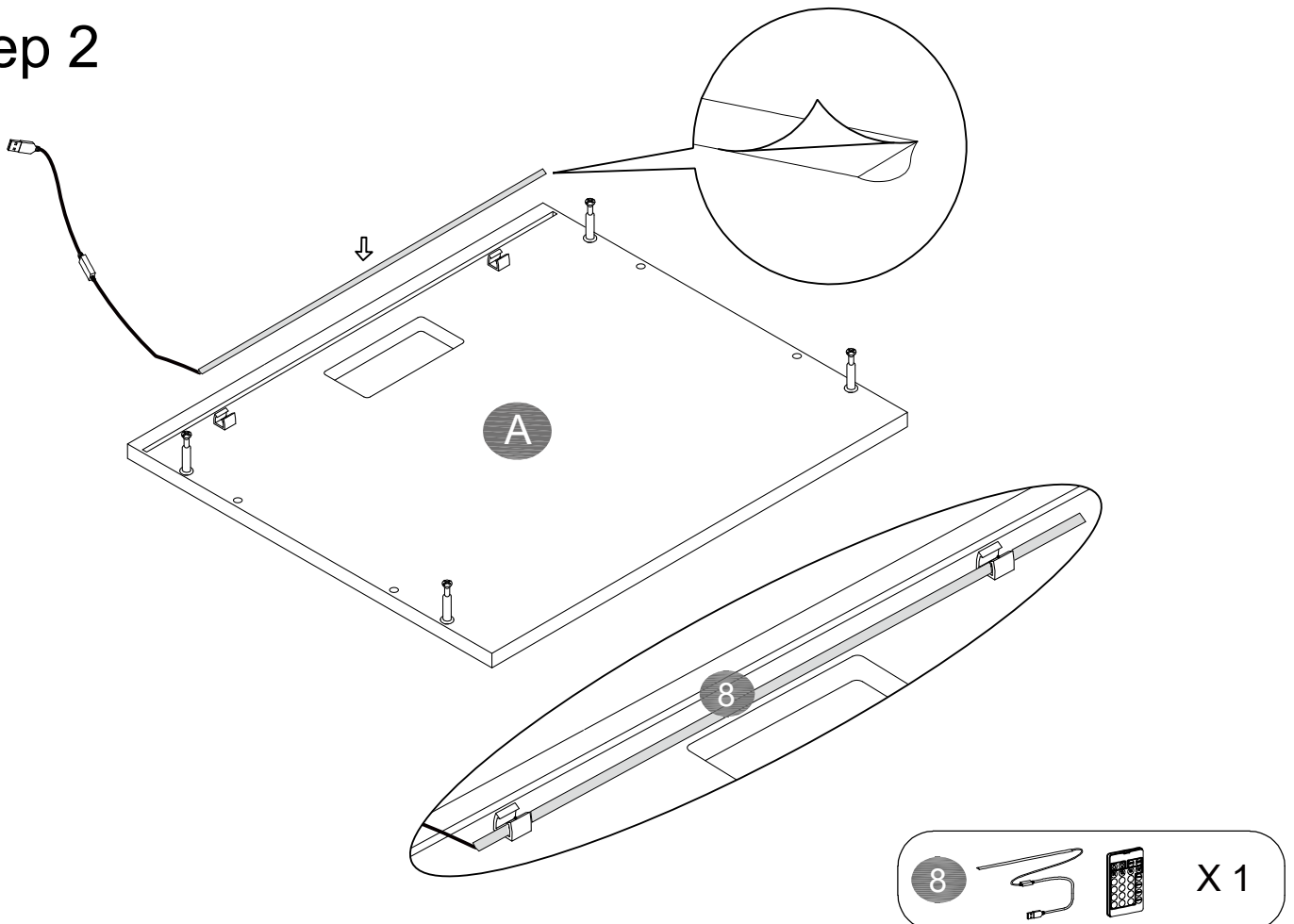
Exploded View



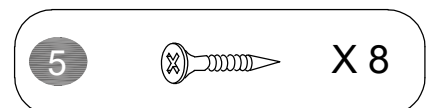
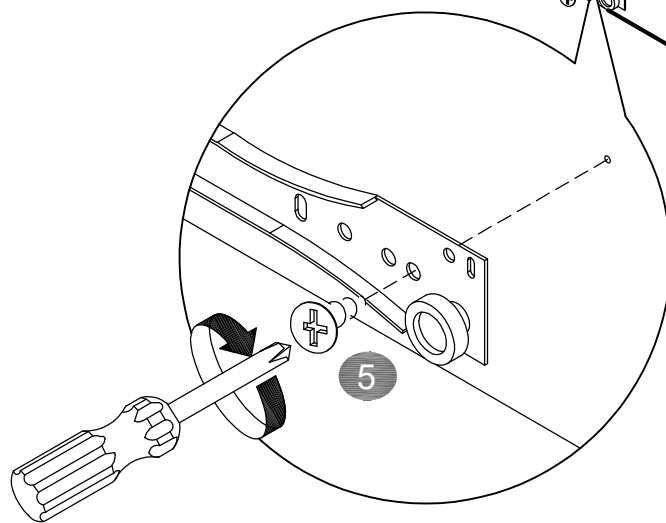
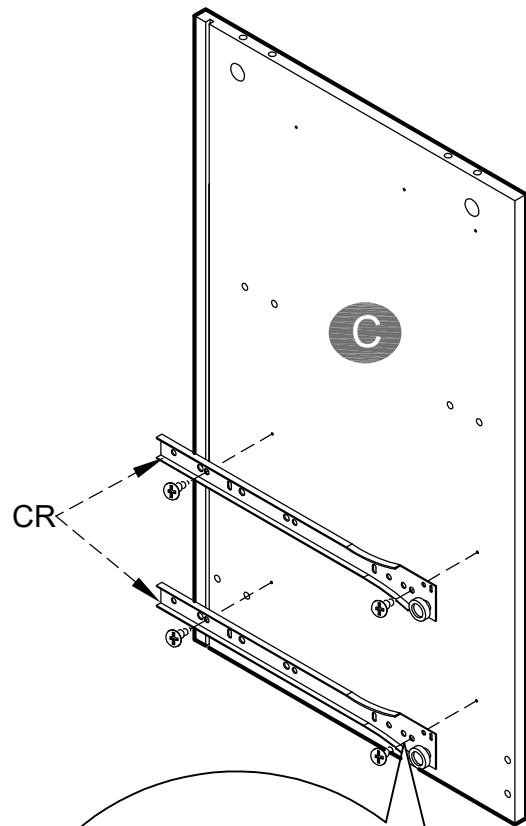
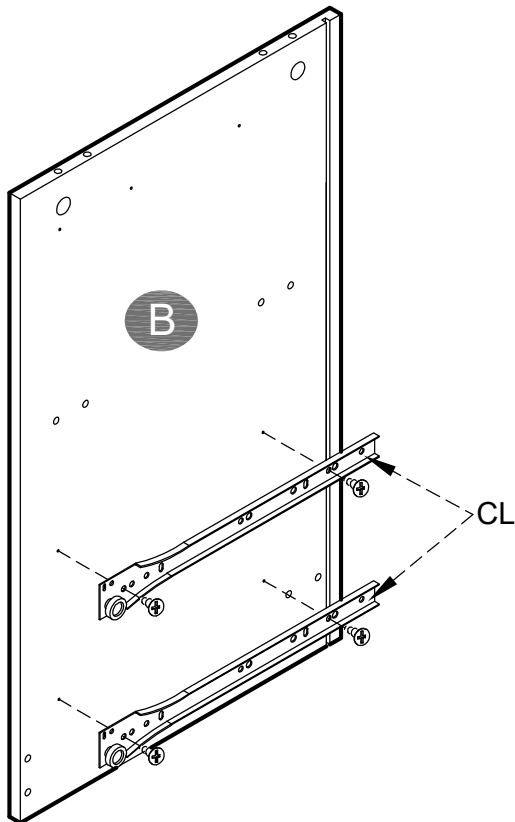
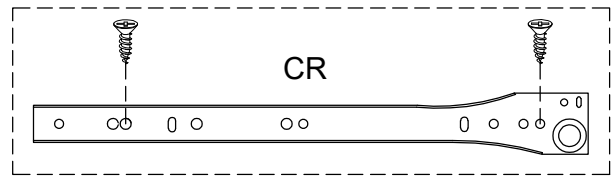
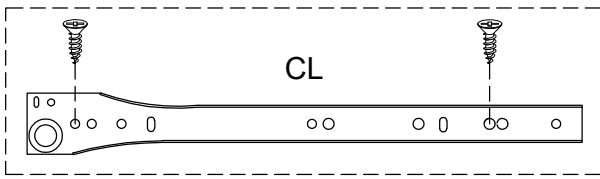
Step 1



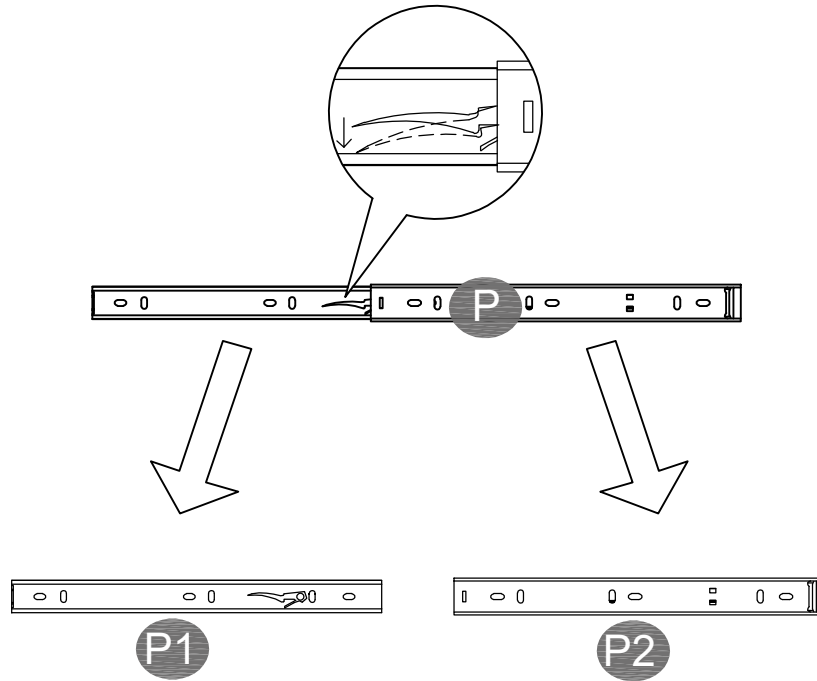
Step 2



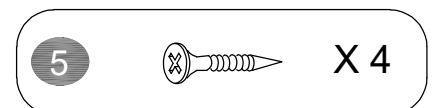
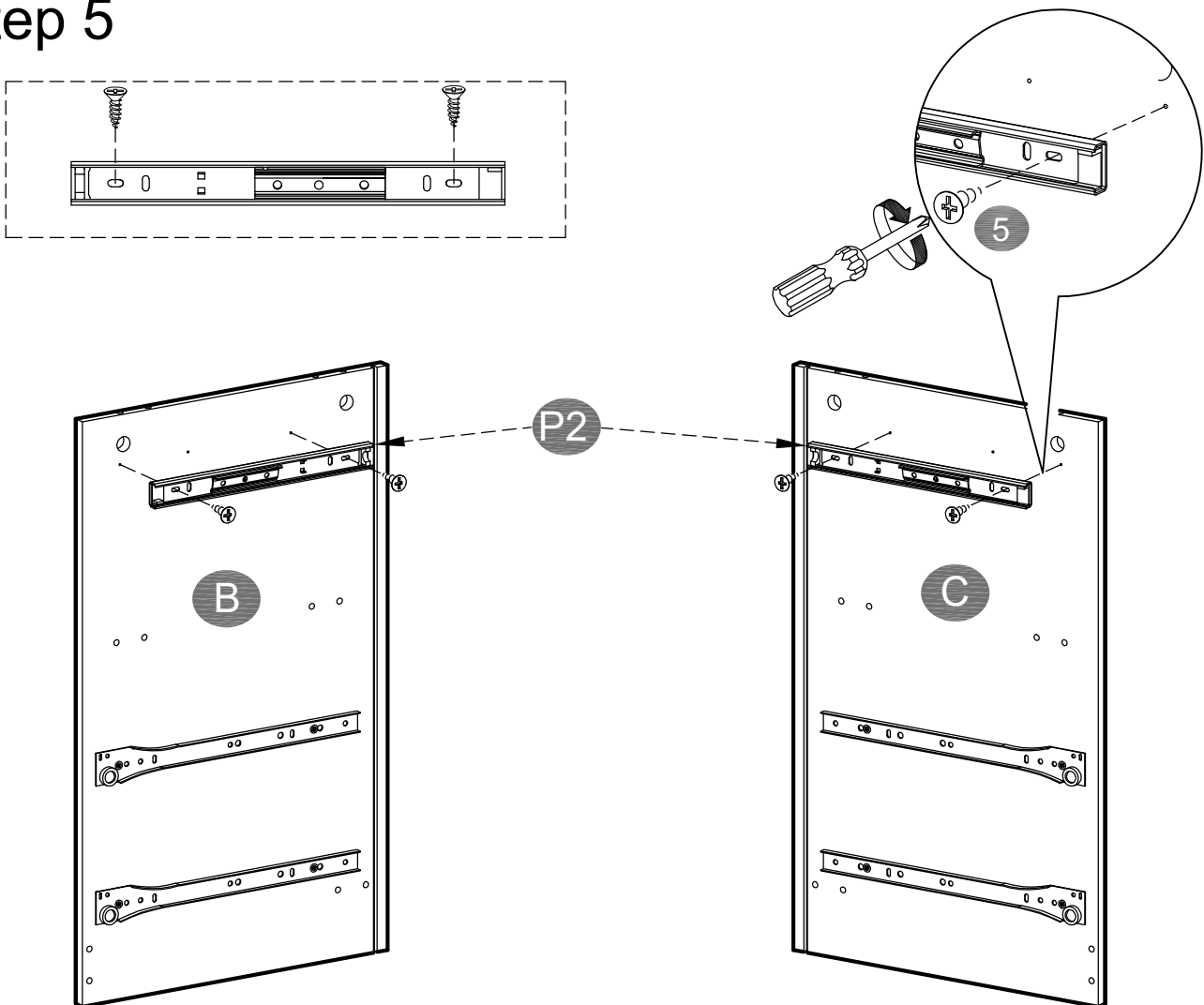
Step 3



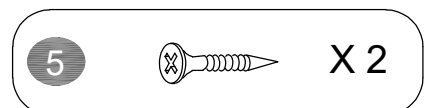
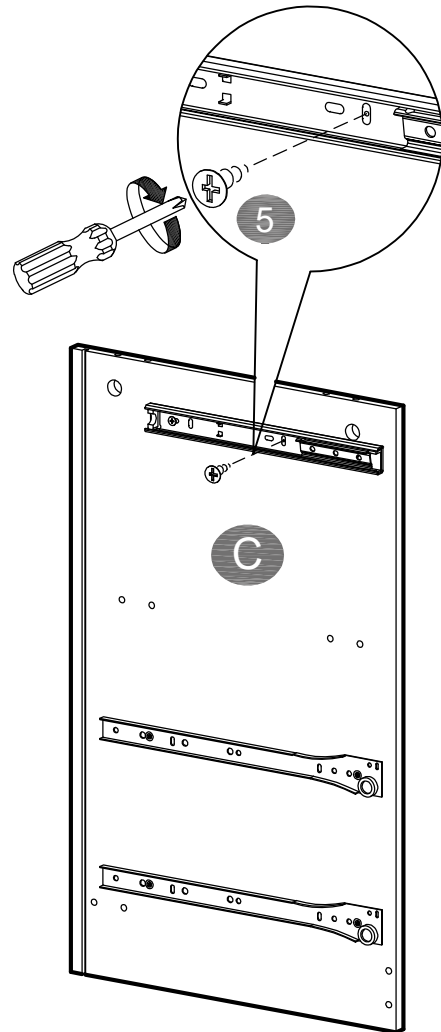
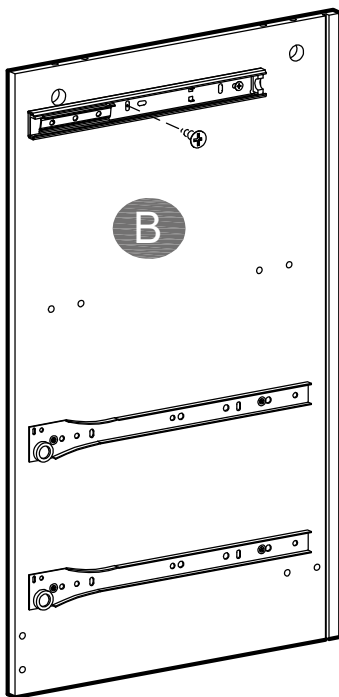
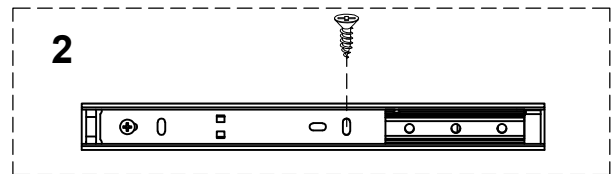
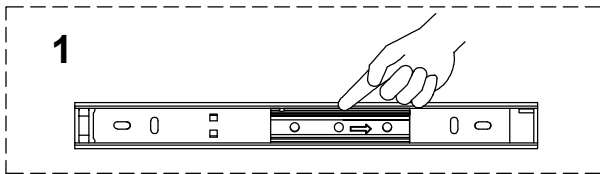
Step 4



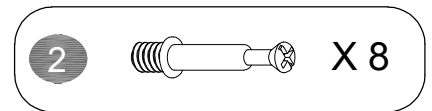
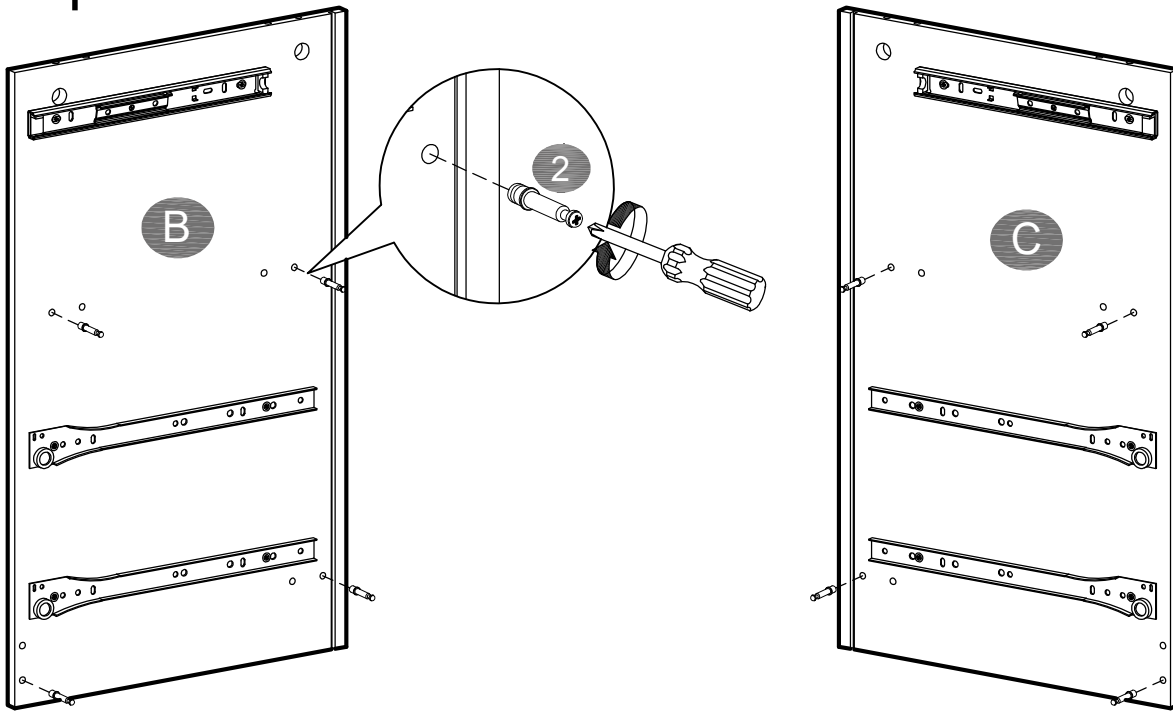
Step 5



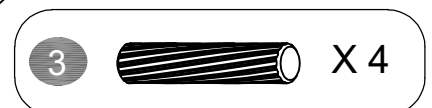
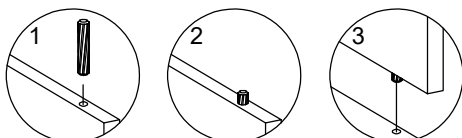
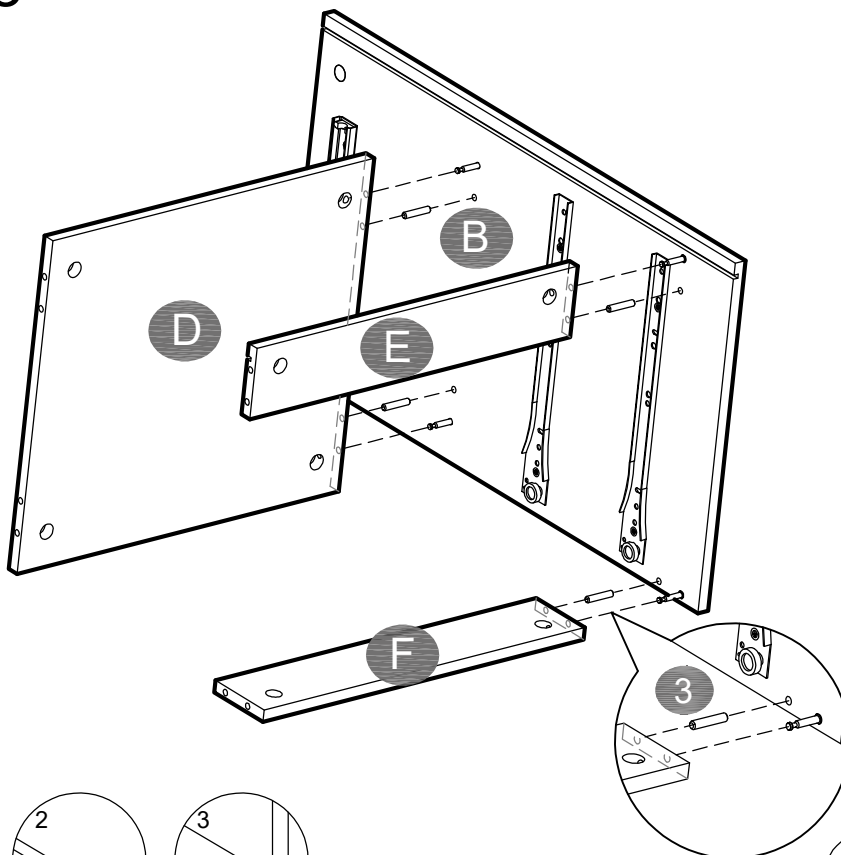
Step 6



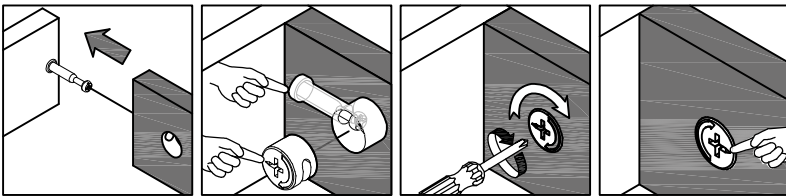
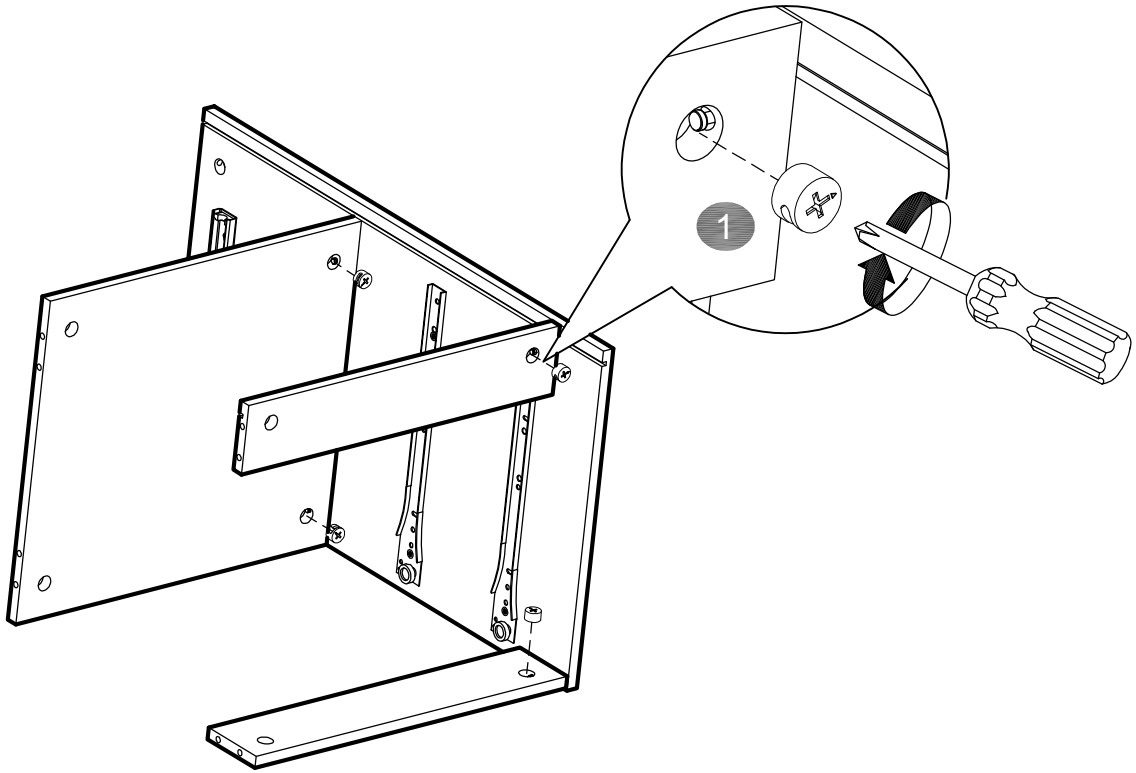
Step 7



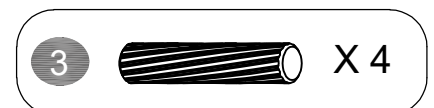
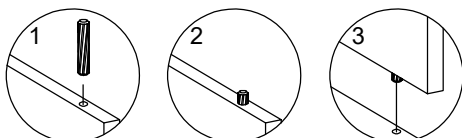
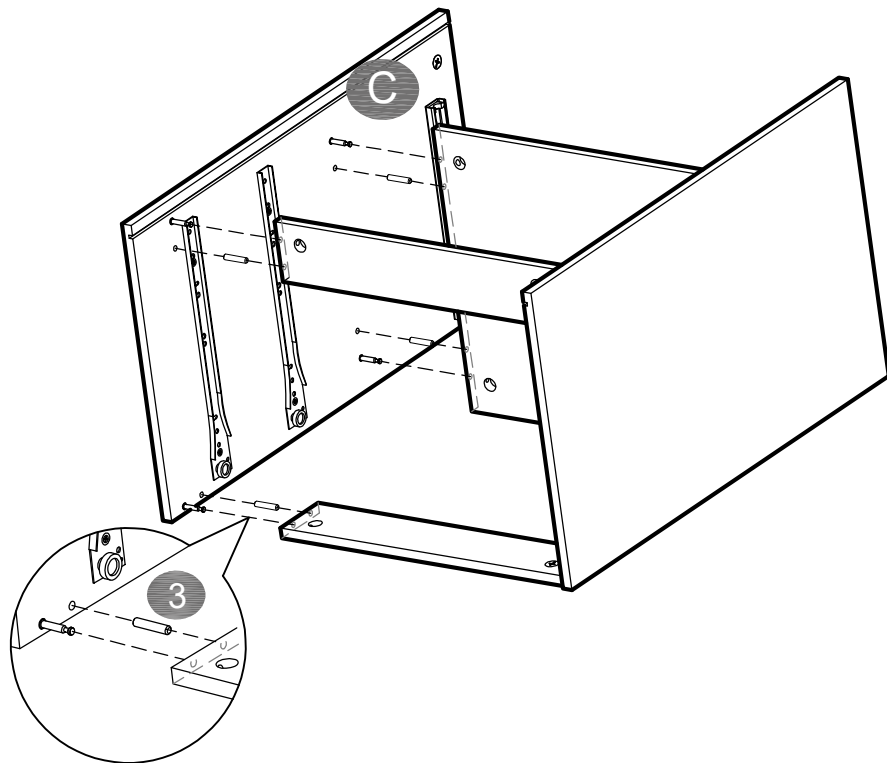
Step 8



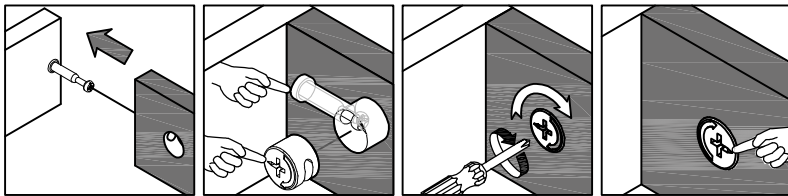
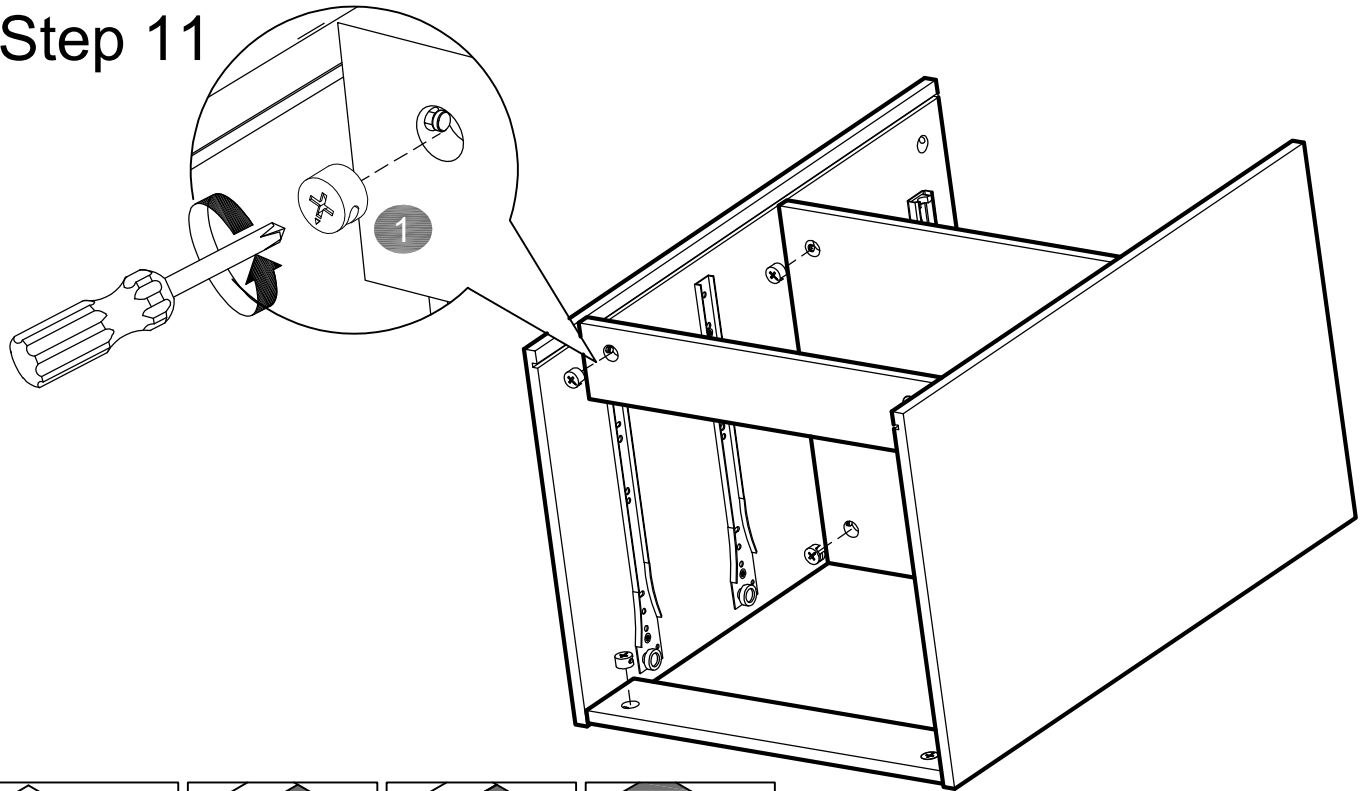
Step 9



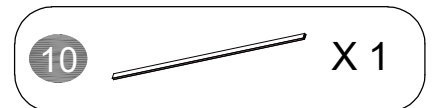
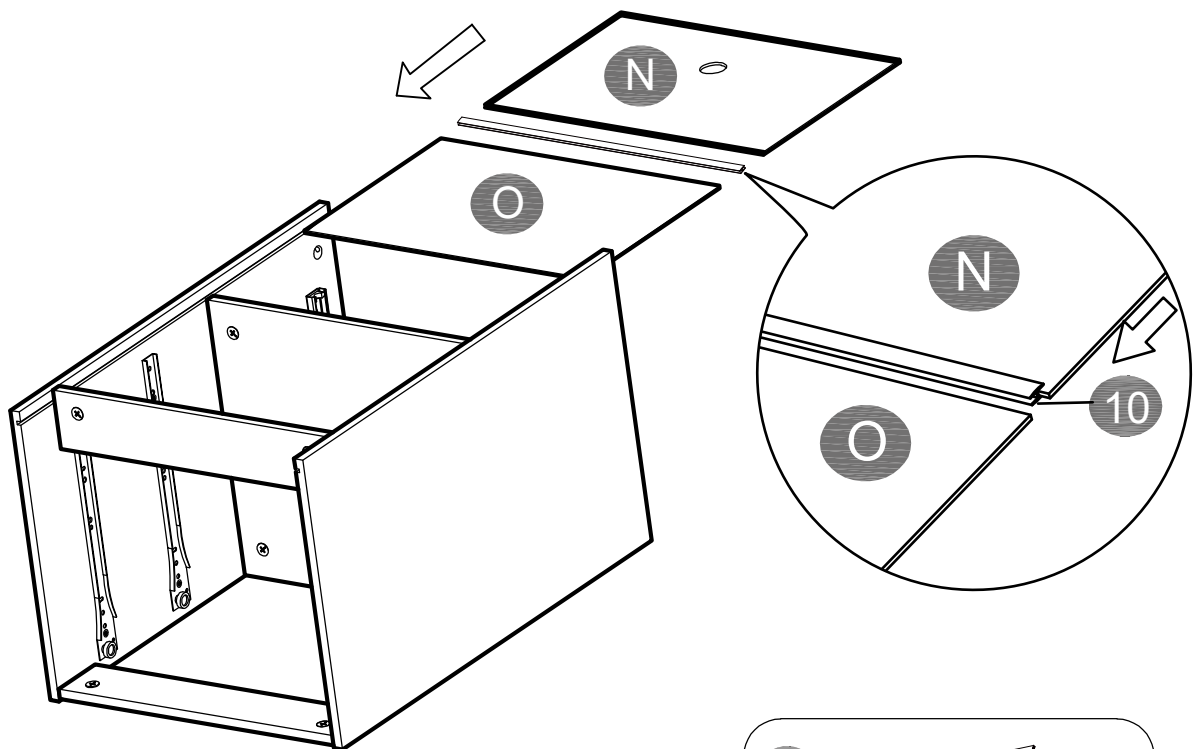
Step 10



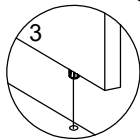
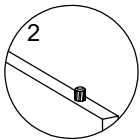
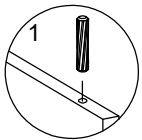
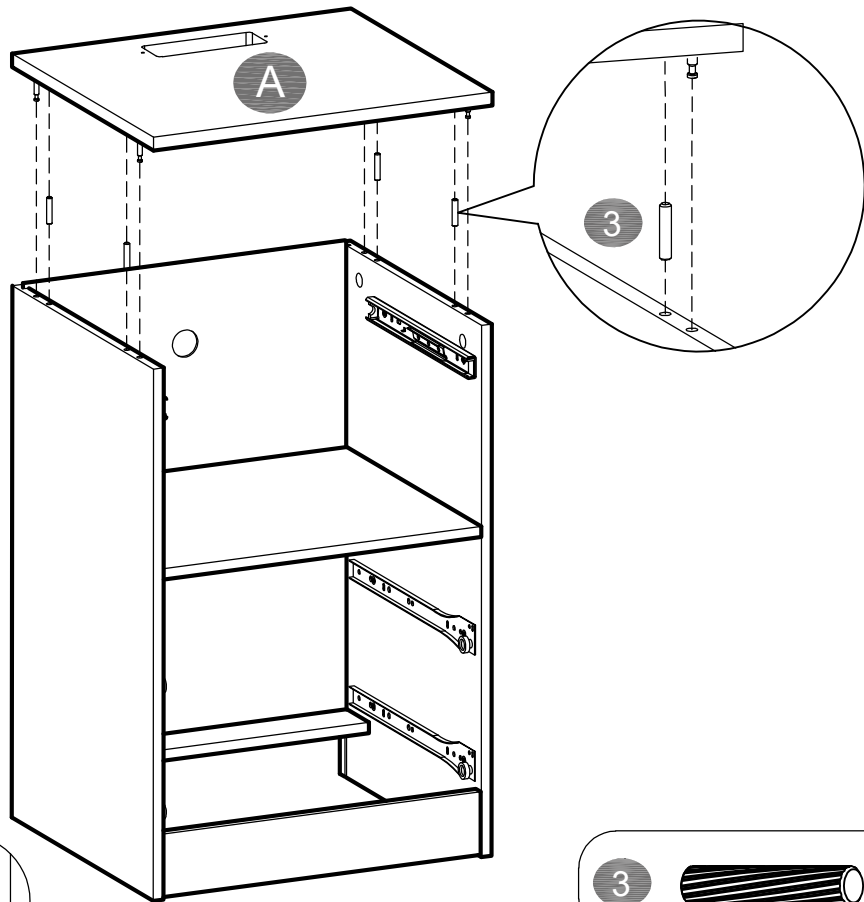
Step 11



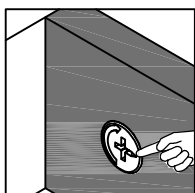
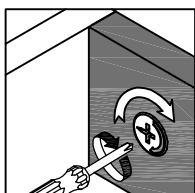
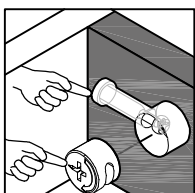
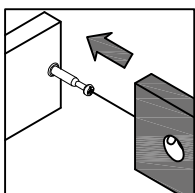
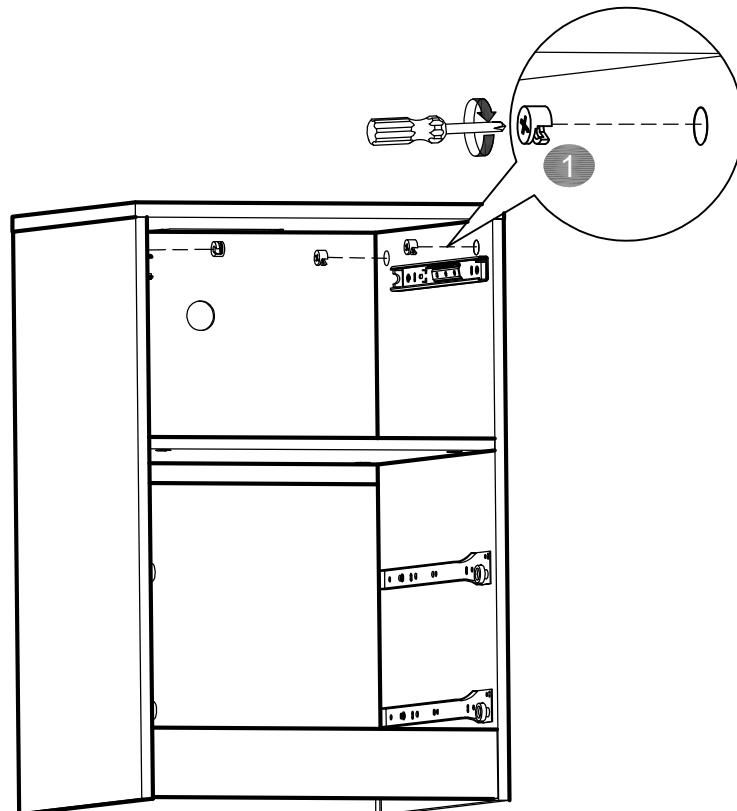
Step 12



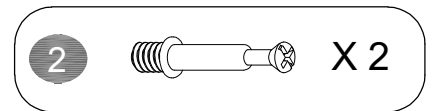
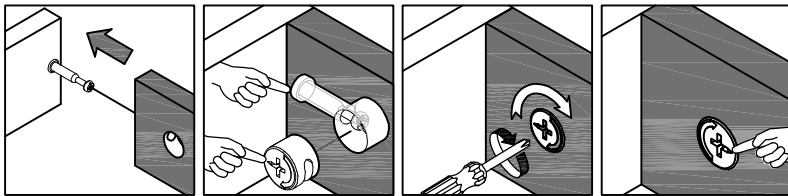
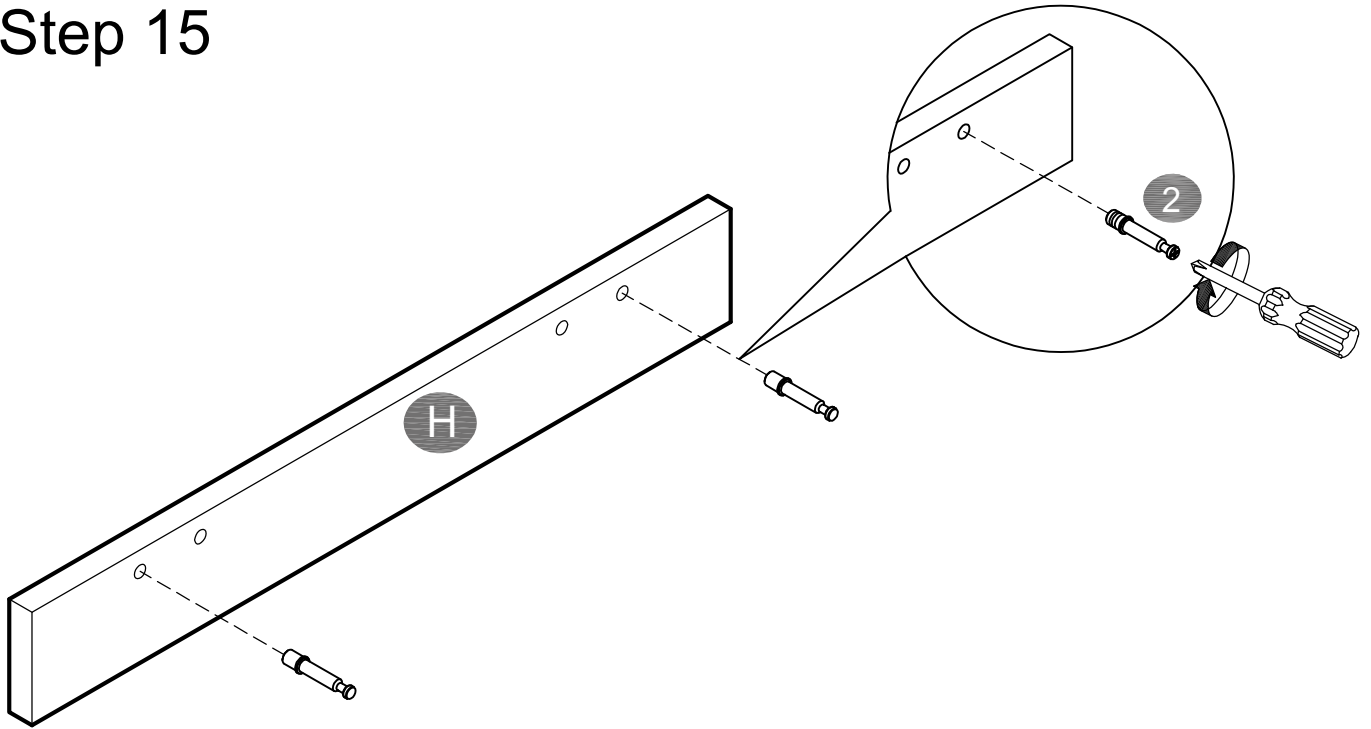
Step 13



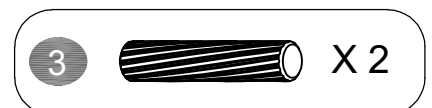
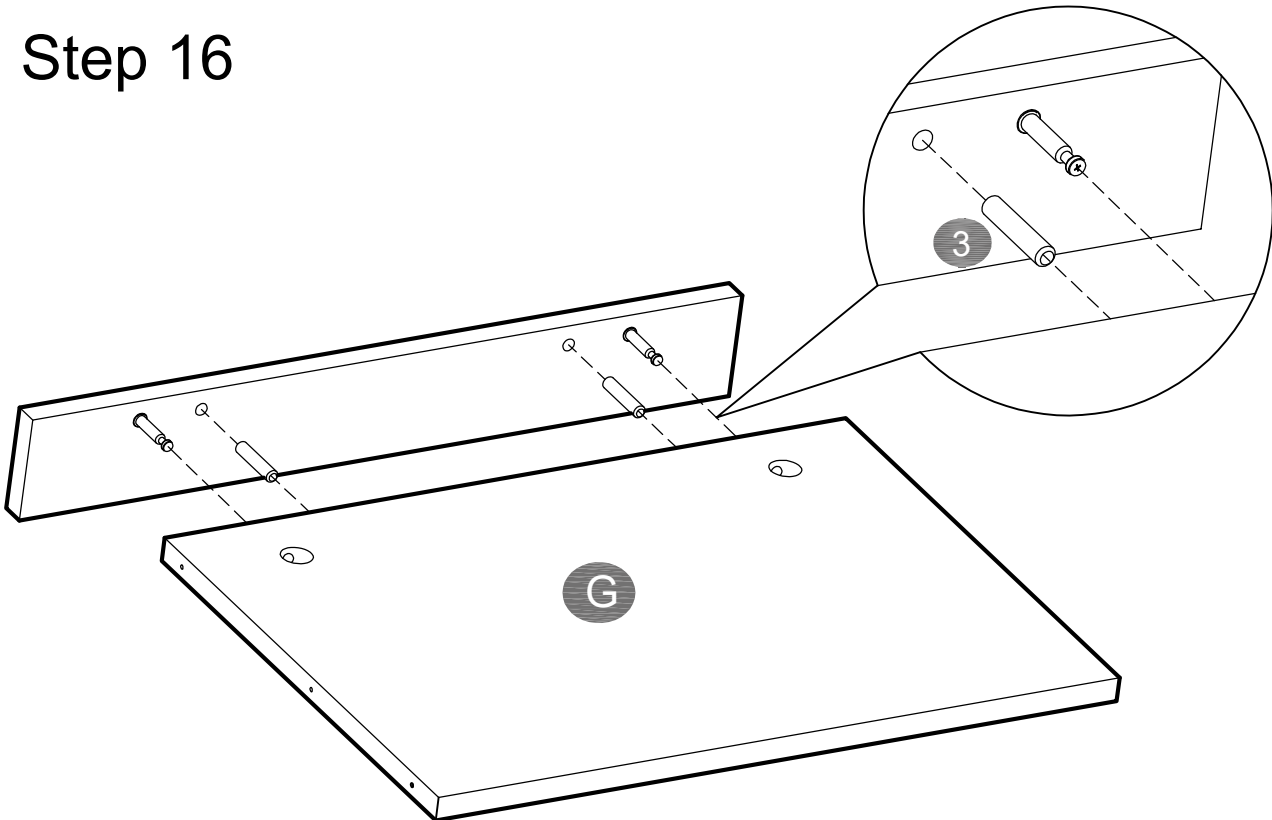
Step 14



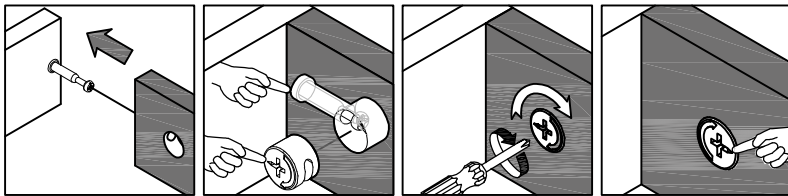
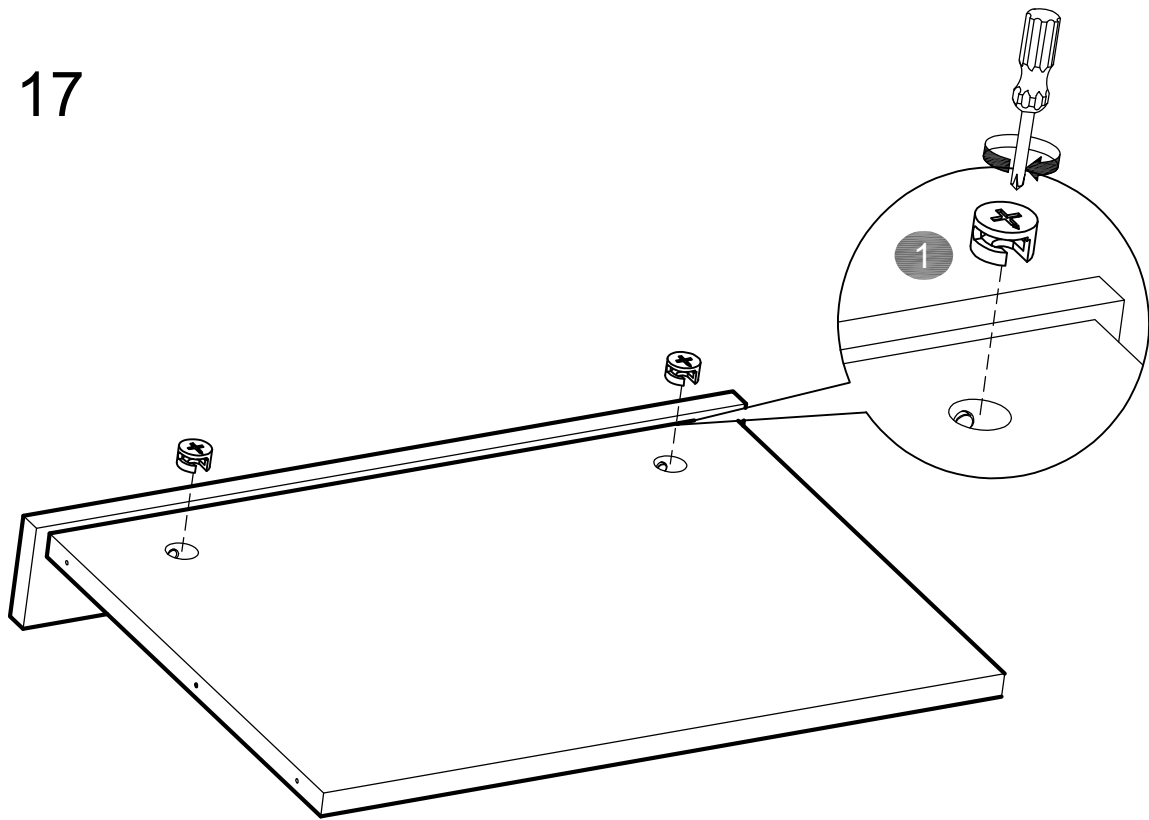
Step 15



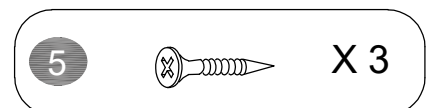
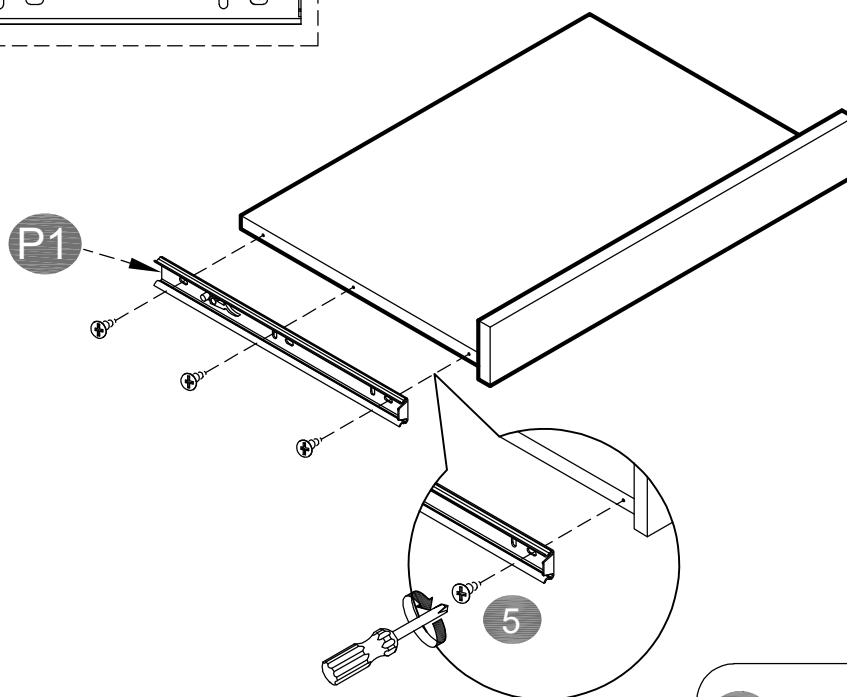
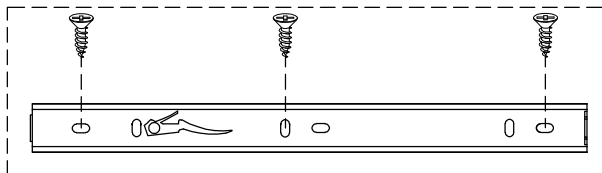
Step 16



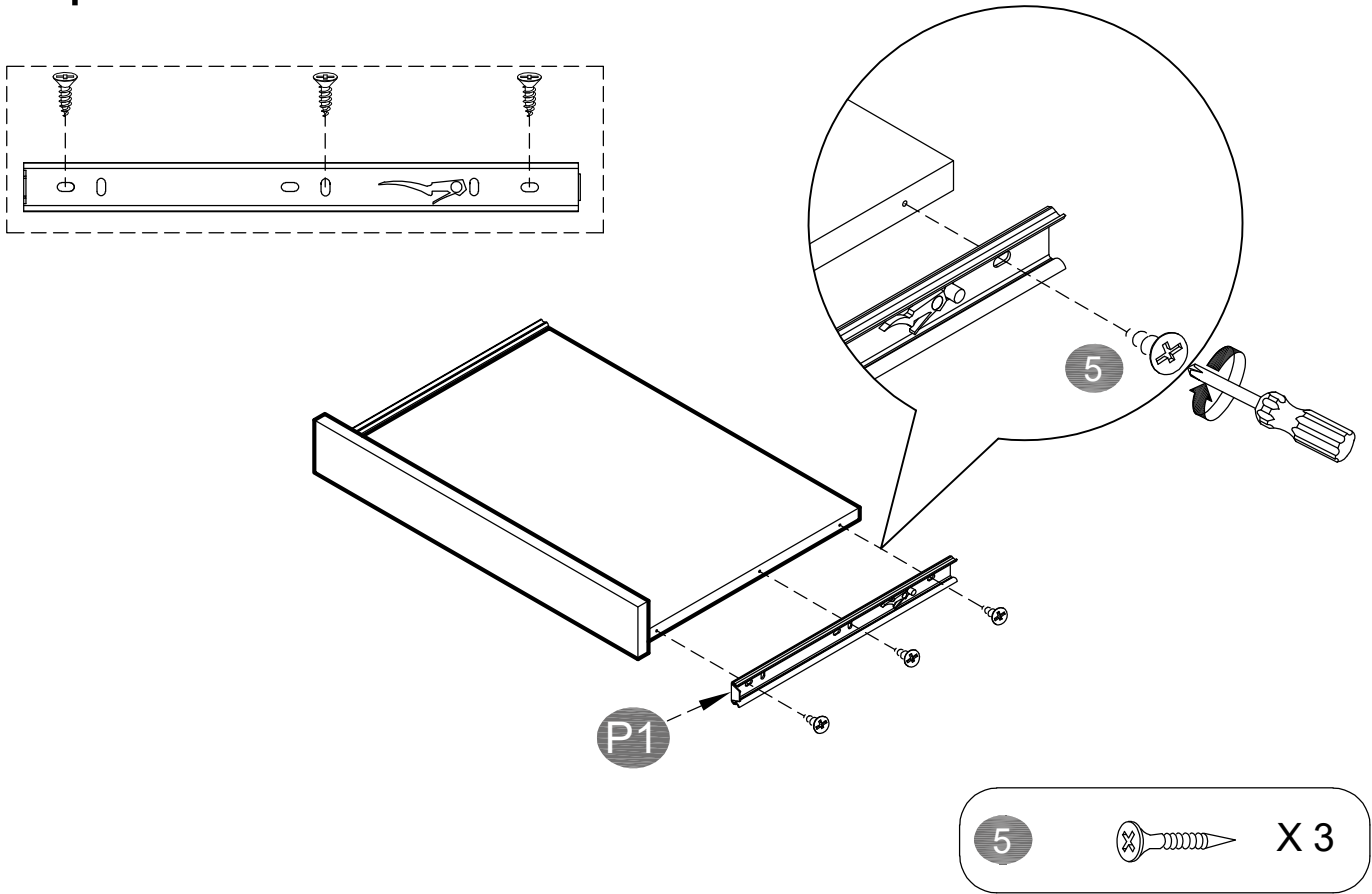
Step 17



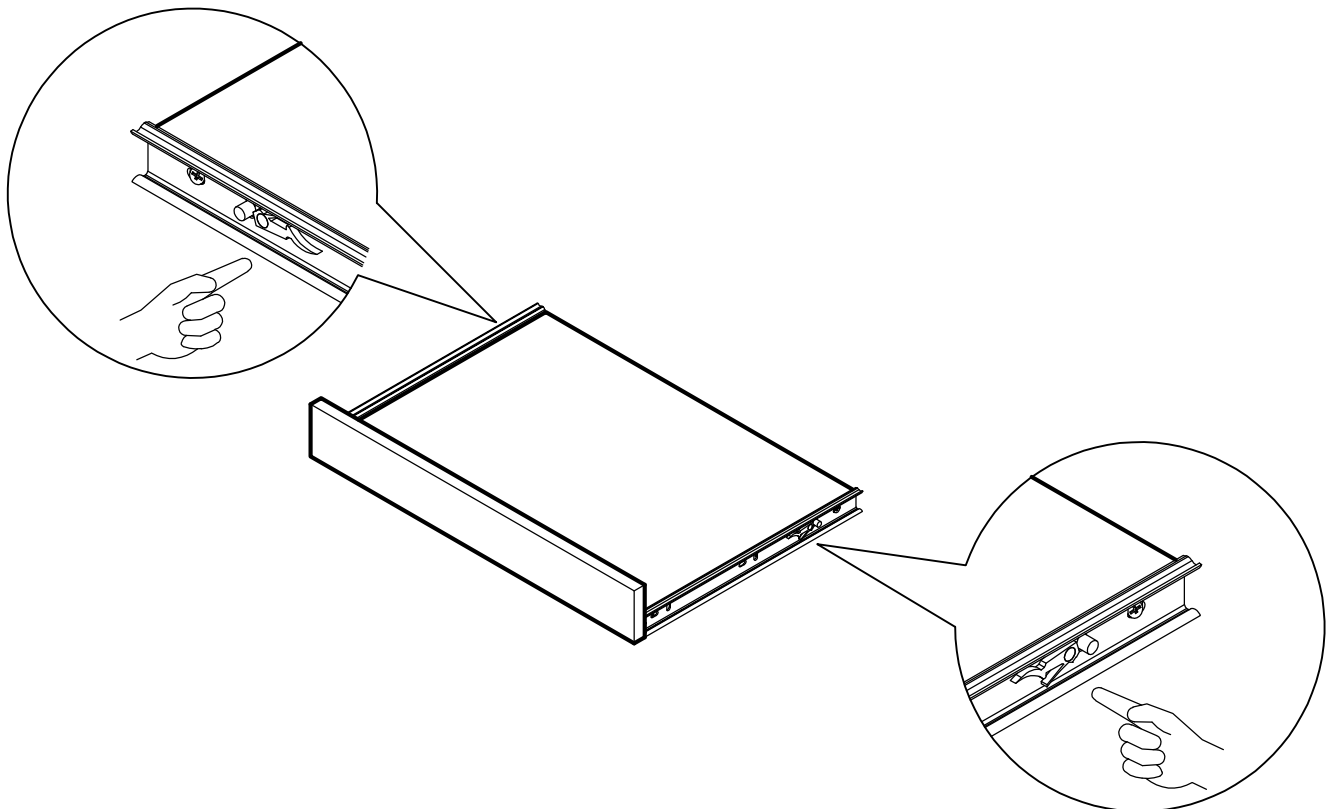
Step 18



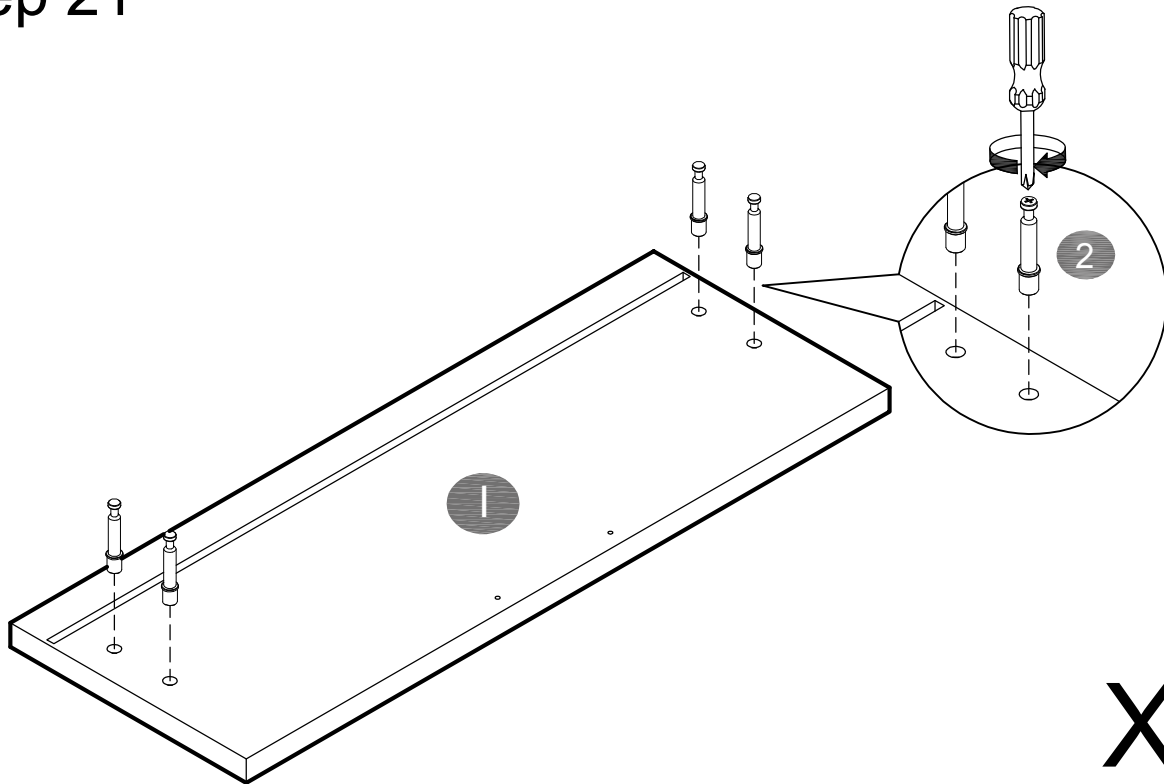
Step 19



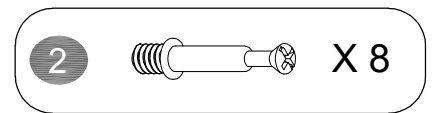
Step 20



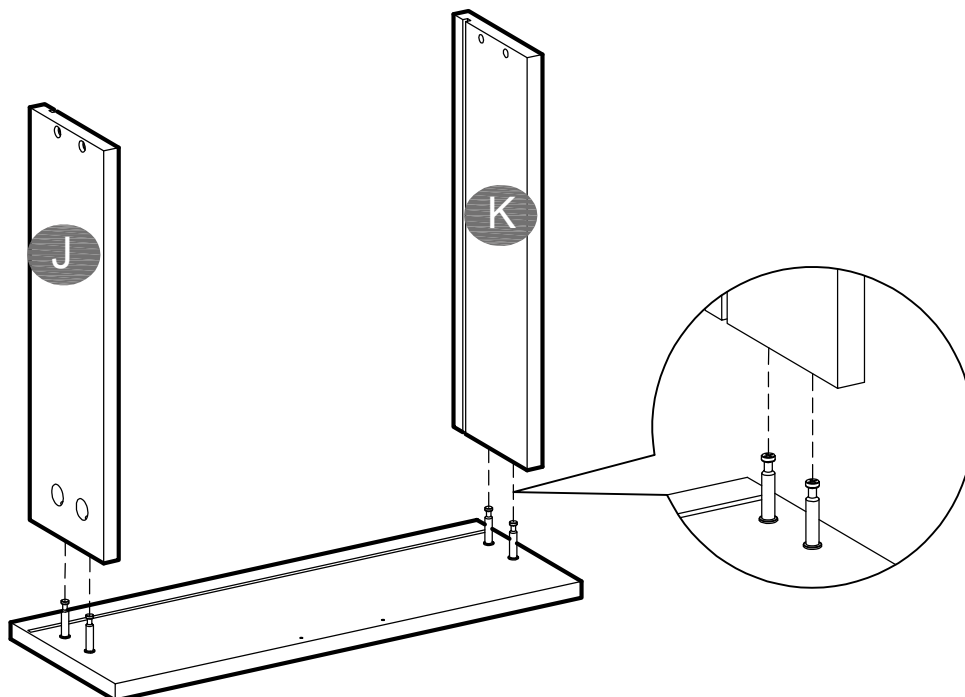
Step 21



X 2

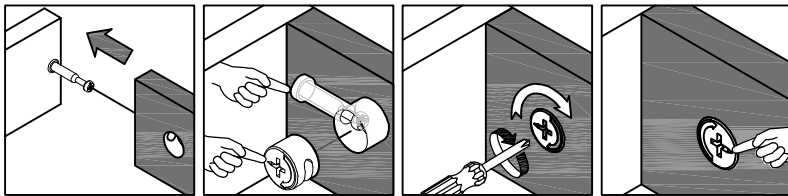
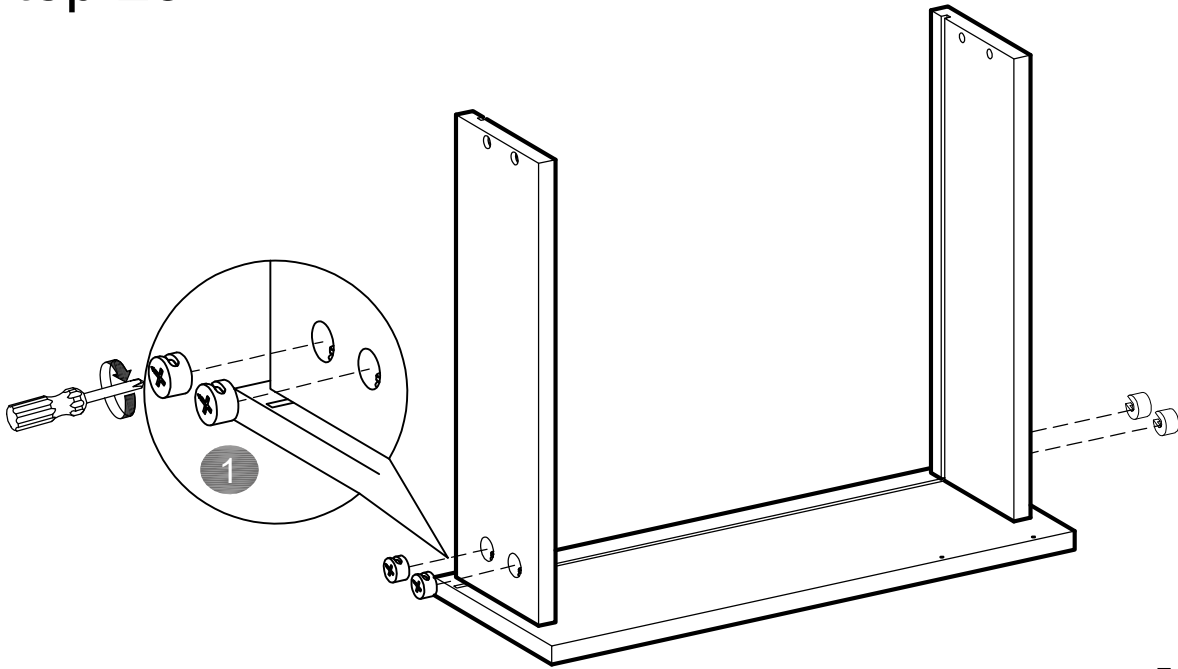


Step 22



X 2

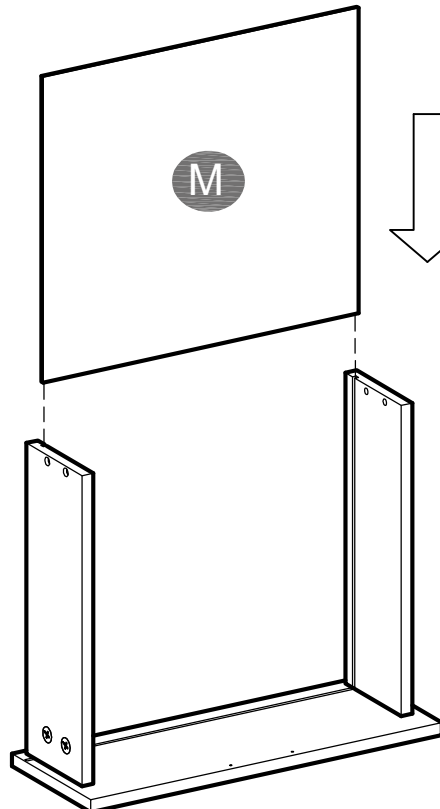
Step 23



X 2

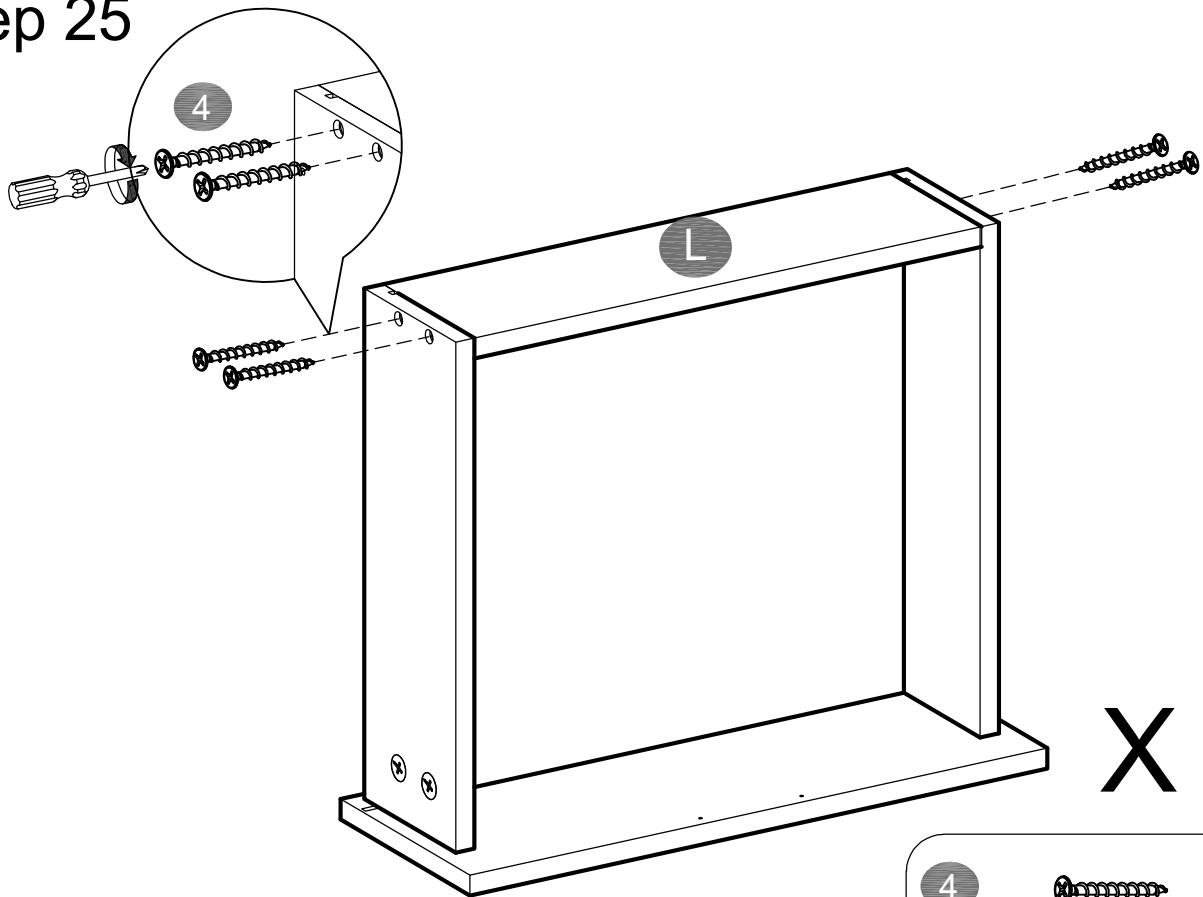



Step 24



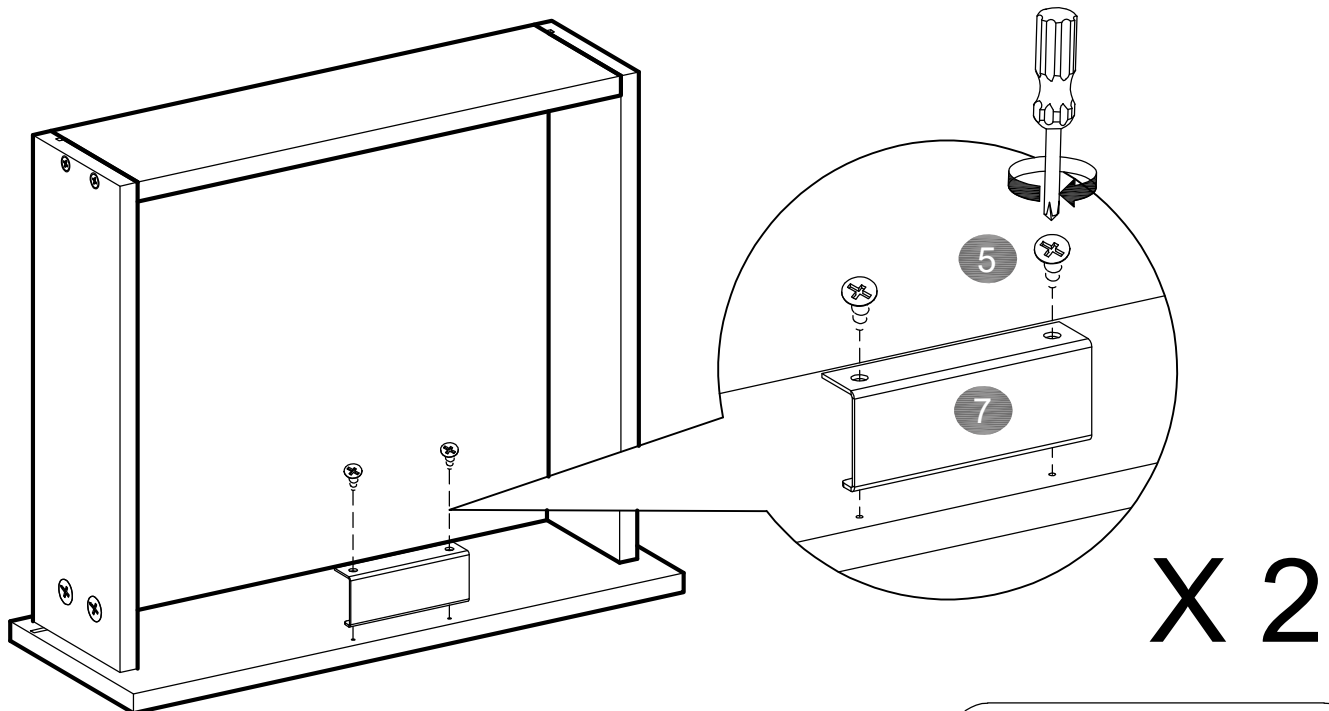
X 2

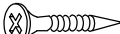
Step 25




4  X 8

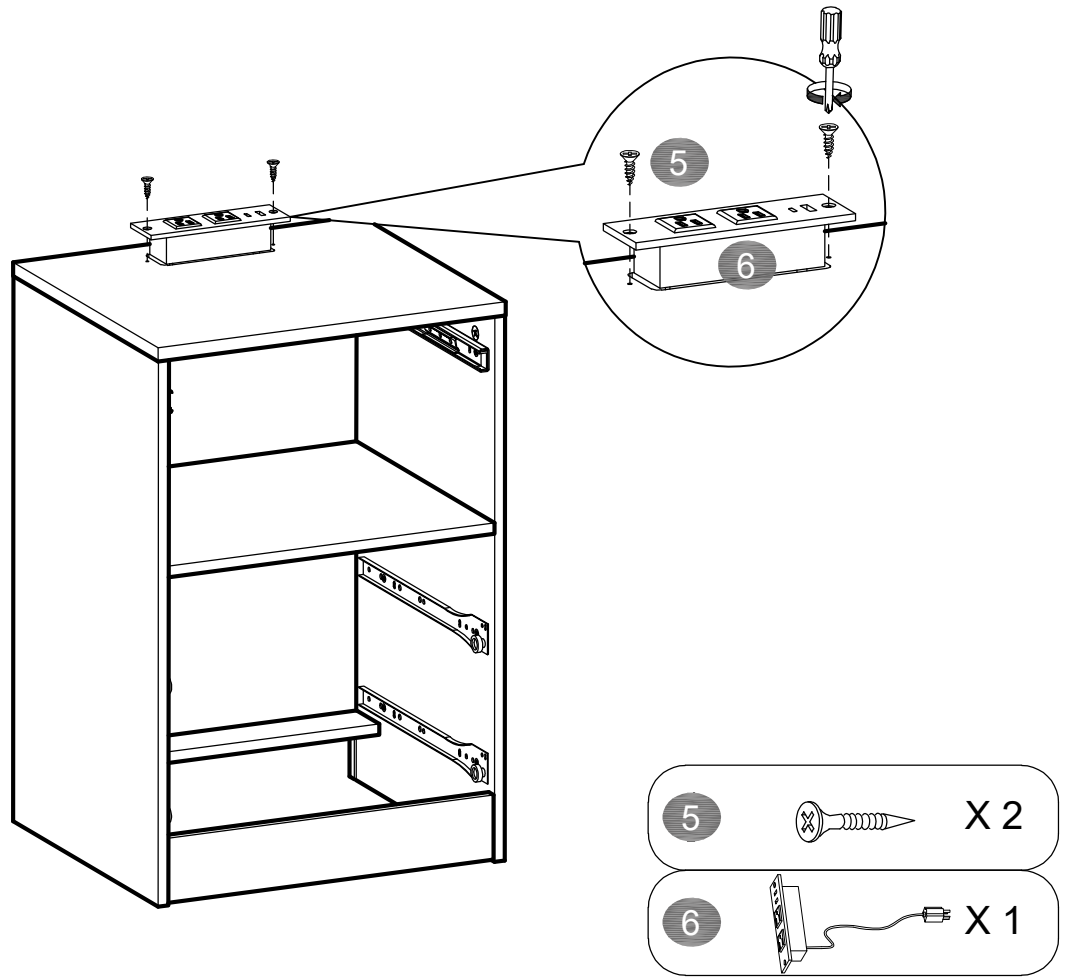
Step 26



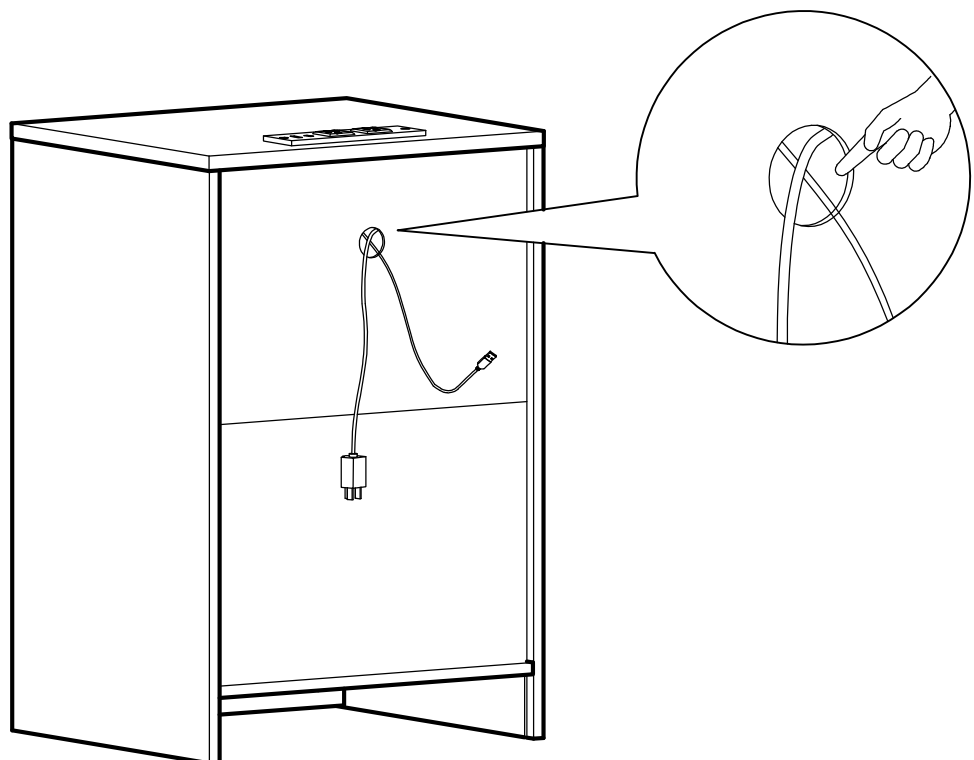
5  X 4

7  X 2

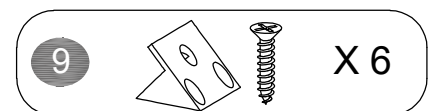
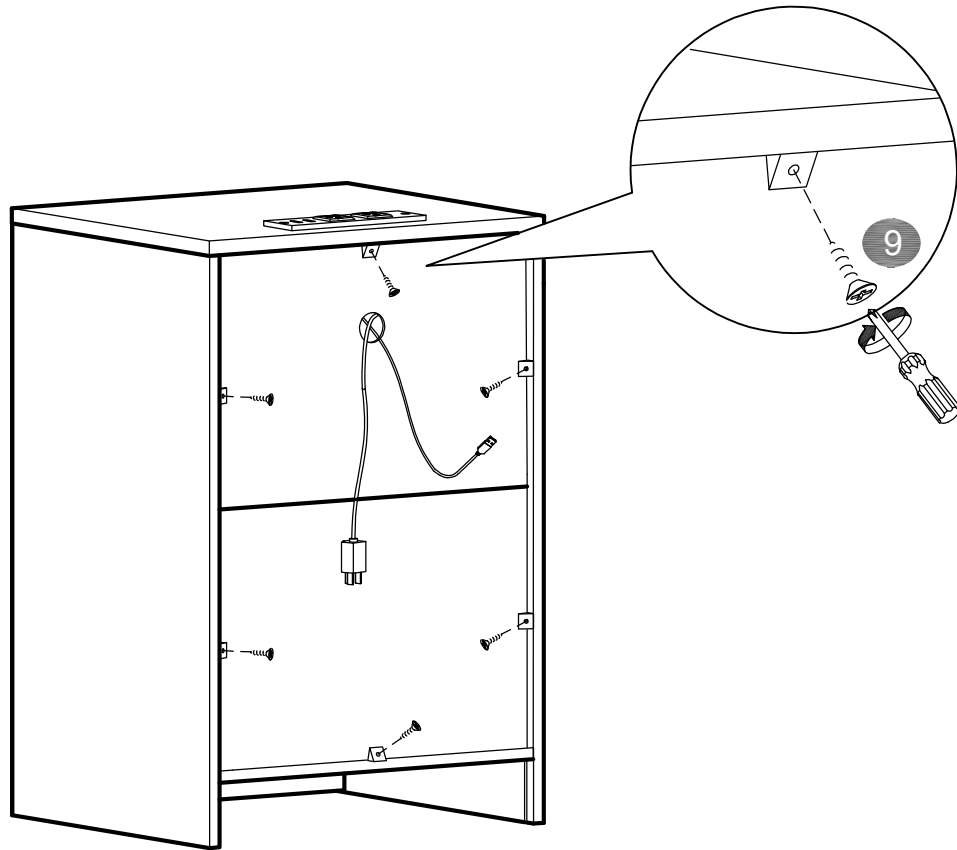
Step 29



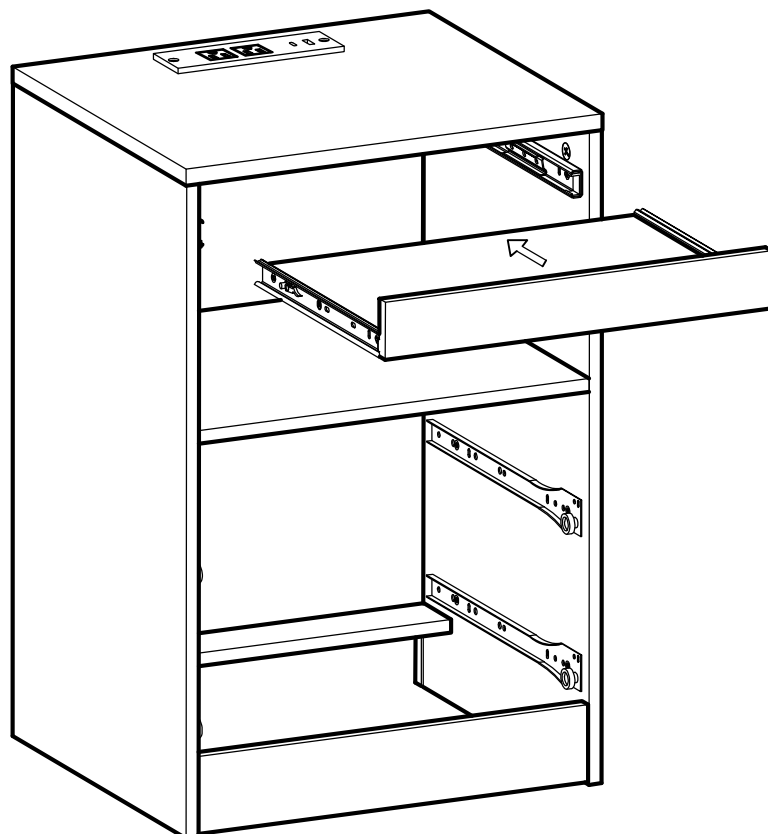
Step 30



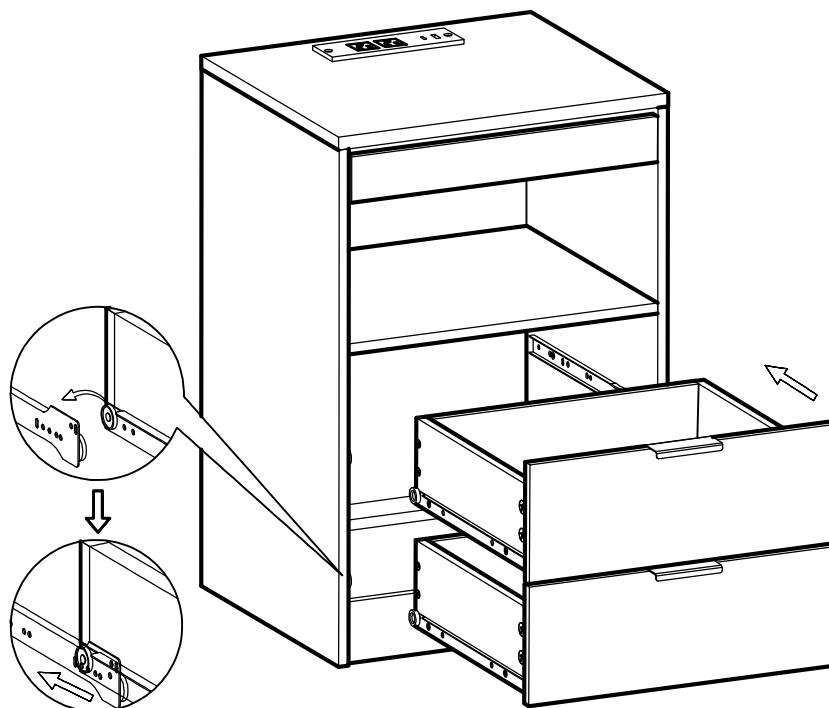
Step 31



Step 32



Step 33



Step 34

