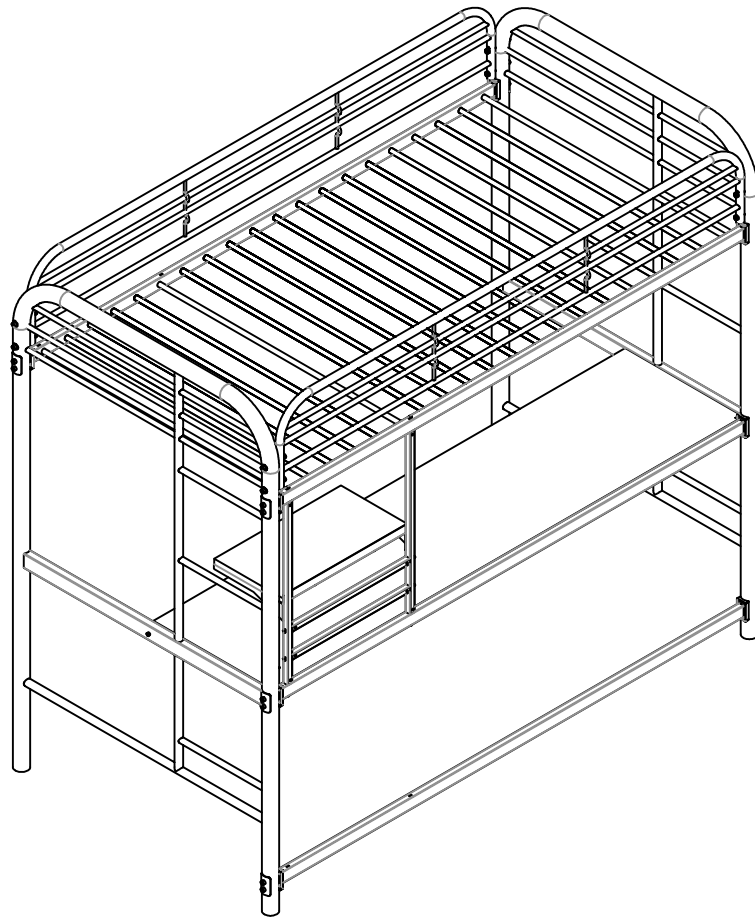


Assembly Instructions



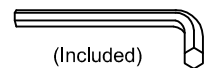
ASSEMBLY RATING

The Assembly Rating is a 5-point system that shows the degree of effort needed in assembling a specific product (with 1 being easy and 5 being difficult). For some products, two persons are recommended.



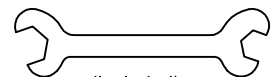
Tools Required For Assembly:

Allen Wrench



(Included)

Open spanner



(Included)

Phillips Screwdriver



(Not Included)



2 PERSONS RECOMMENDED

ASSEMBLY & CARE ADVICE

FOR YOUR FURNITURE TO LAST, CORRECT ASSEMBLY AND PROPER MAINTENANCE ARE NECESSARY. PLEASE FOLLOW THE INFORMATION PROVIDED BELOW TO FULLY ENJOY YOUR FURNITURE.

BASIC ASSEMBLY TECHNIQUES



When lock or spring washer is used in an assembly, please make sure the lock or spring washer is placed between the larger flat washer and the head of the screw or bolt.



Position each part correctly and insert screws or bolts into their respective holes by hand tighten or using the proper hand tool. Only tighten when step is completed or when instructed to do so.



Use cardboard or carpet area when assembling furniture to prevent scratches. Make sure the furniture rests on a flat and level surface with each leg evenly touching the floor. No dragging of products/parts.



Some furniture comes with height adjustment knobs underneath each leg. To lower or to raise each leg, you need to turn clockwise or counterclockwise, respectively.

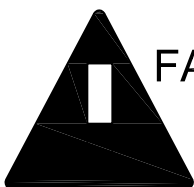


Make sure all parts are properly aligned, then use the appropriate hand tool to completely tighten the bolts or screws. Do not use power tools and do not overtighten.

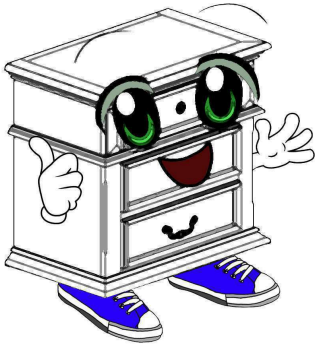


Save the instructions and store the Allen wrench or any supplied tool for later maintenance. After two weeks, check and tighten any loose hardware and repeat again every six months thereafter.

IT IS THE USER'S RESPONSIBILITY TO MAINTAIN THE FURNITURE. THE HARDWARE MAY LOOSEN OVER TIME AND MAY CAUSE THE FURNITURE TO BE WOBBLY AND UNABLE TO SUPPORT ITS INTENDED WEIGHT CAPACITY. THIS MAY LEAD TO COLLAPSE AND MAY CAUSE SERIOUS INJURY.



FAILURE TO FOLLOW THE GUIDELINES ABOVE MAY RESULT IN INJURY AND/OR PROPERTY DAMAGE.

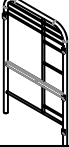



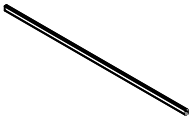


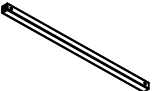
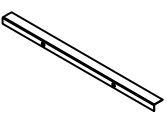


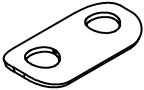
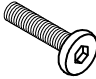
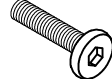
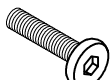

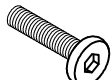
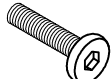


Before you begin, please read Page 2 of "Assembly and Care Advice".

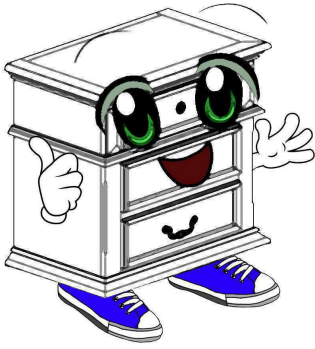
And remember, do not tighten until each step is completed or instructed.

Parts List

Hardware List

	#1 x 1pc Left Headboard
	#2 x 1pc Right Headboard
	#3 x 1pc Bed Slat
	#4 x 1pc Desk Top
	#5 x 1pc Desk Top Bottom Support Bar
	#6 x 1pc Shlef Left Side Frame
	#7 x 1pc Shlef Right Side Frame
	#8 x 2pcs Connect Tube
	#9 x 1pc Shelf Support Bracket

	#A x 8pcs Washer
	#B x 8pcs Bolt 5/16-18UNC X 3 ³ / ₈ "
	#C x 16pcs Bolt 5/16-18UNC X 2 ³ / ₄ "
	#D x 4pcs Bolt 1/4-20UNC-2 ⁵ / ₃₂ " (55mm)
	#E x 6pcs Screw Ø4.2- 5 ⁵ / ₈ "
	#F x 2pcs Bolt 1/4-20UNC-1 ¹ / ₂ "
	#G x 4pcs Bolt 1/4-20UNC-1 ¹ / ₄ "
	#H x 8pcs HEX NUT 5/16-18UNC
	#I x 8pcs Flat Washer 5/16-18

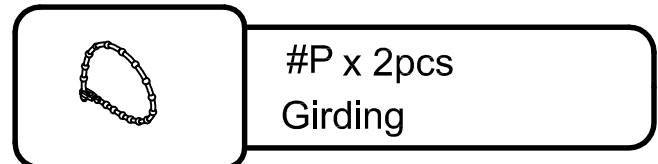
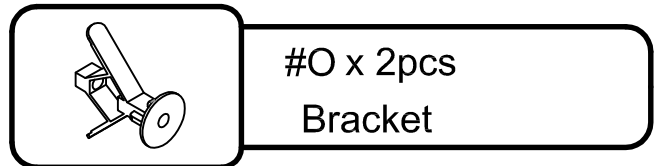
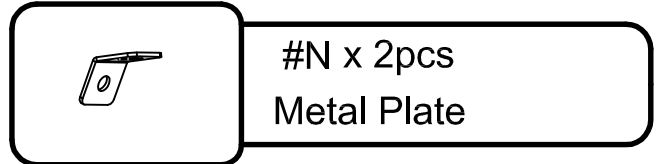
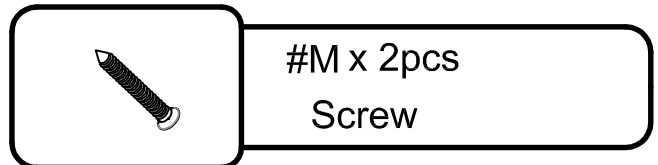
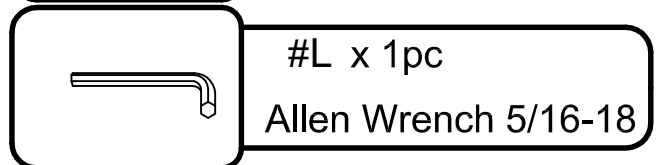
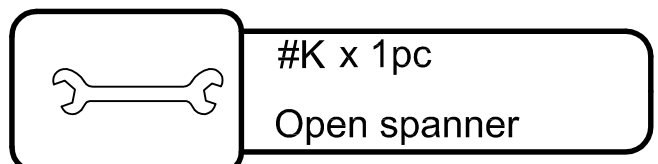
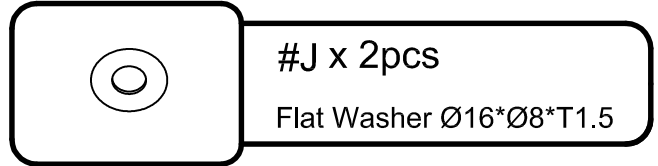
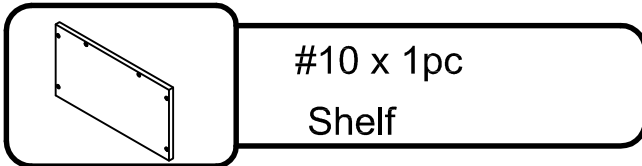


Before you begin, please read Page 2 of "Assembly and Care Advice".

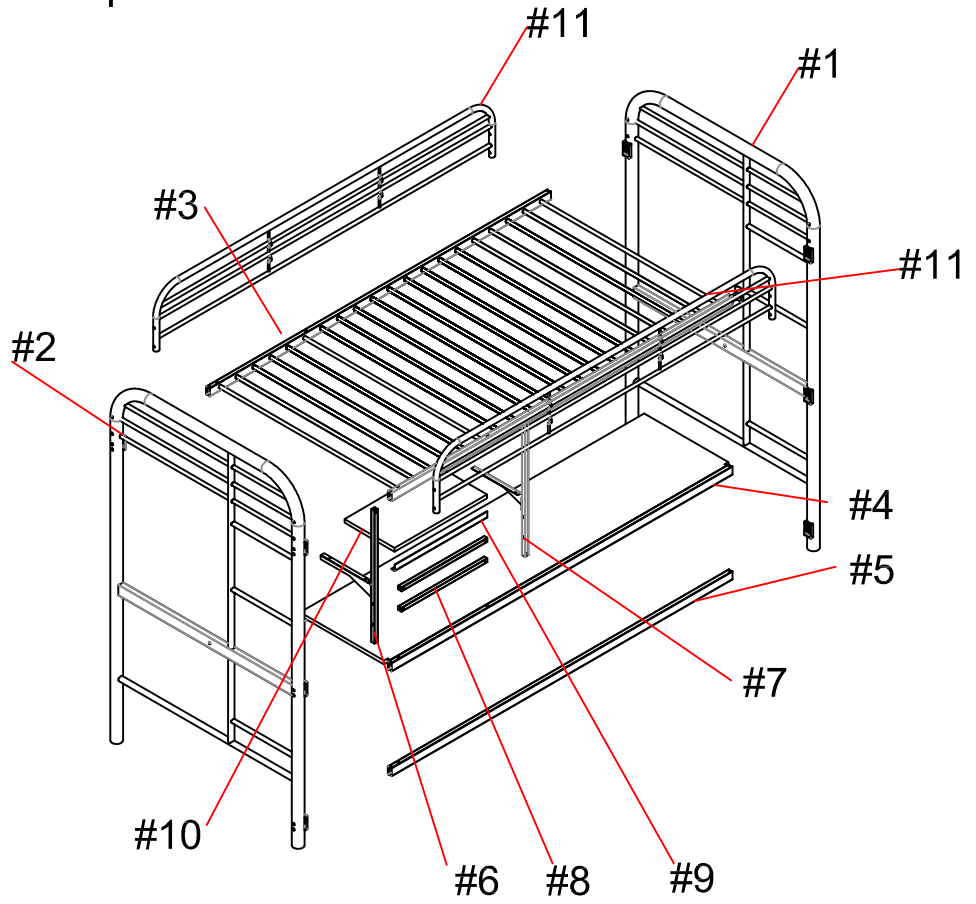
And remember, do not tighten until each step is completed or instructed.

Parts List

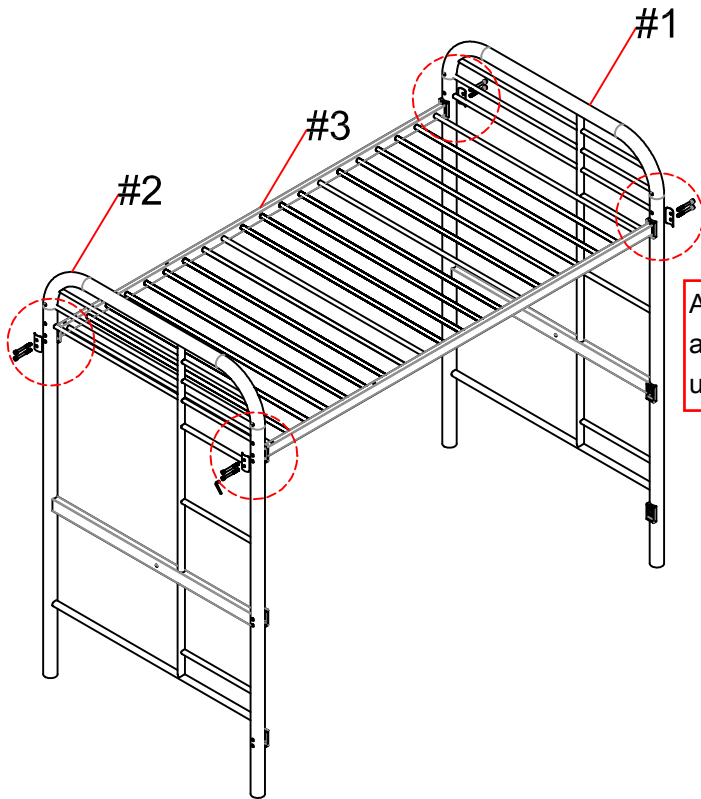
Hardware List



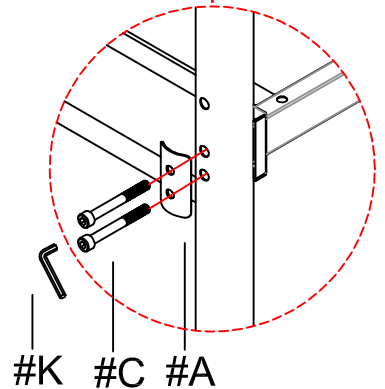
Exploded View



#A x 4pcs
#C x 8pcs



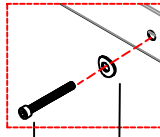
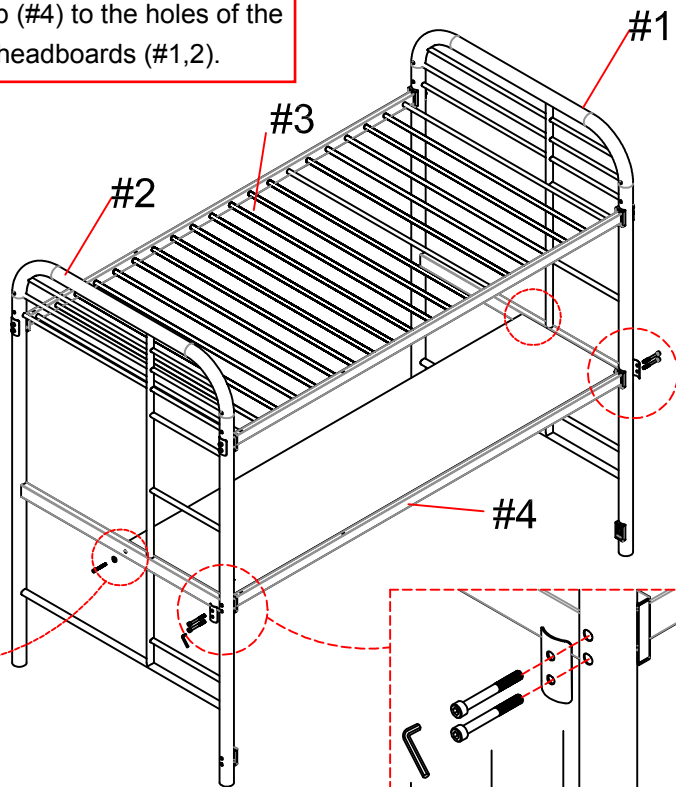
Align bed slat (#3) to the holes of the left and right headboard (#1,2). Secure by using bolts (#C) with washers (#A).



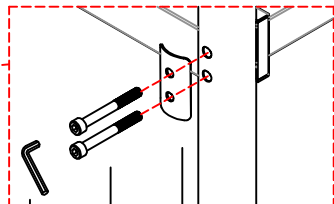


Align desk top (#4) to the holes of the left and right headboards (#1,2).

#A x 2pcs
#C x 4pcs
#F x 2pcs
#Jx 2pcs



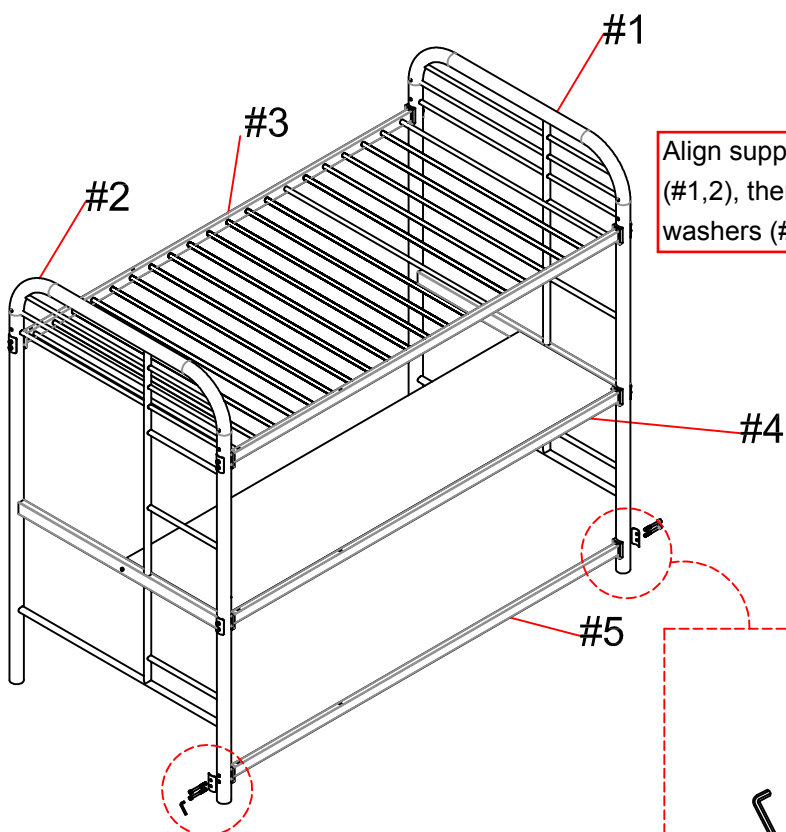
Secure by using bolts (#F) with washers (#J).



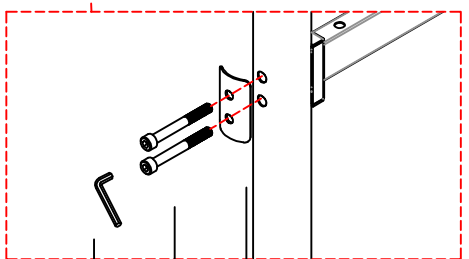
Secure by using bolts (#C) with washers (#A).



#A x 2pcs
#C x 4pcs



Align support bar (#5) to the headboards (#1,2), then secure by using bolts (#C) with washers (#A).

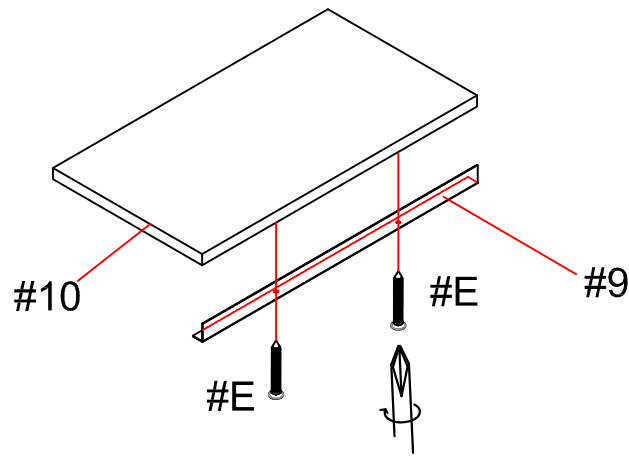


#L #C #A

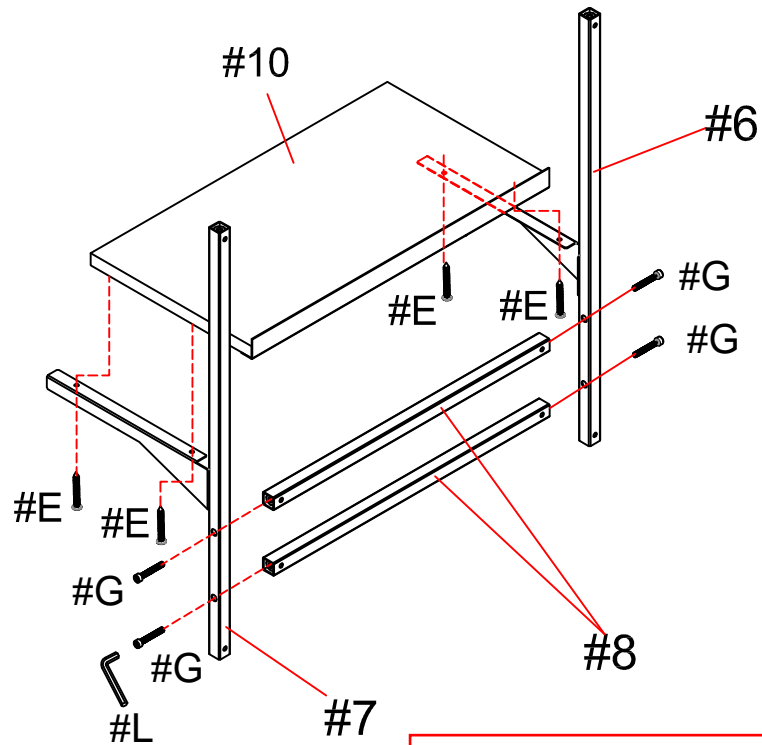


Align support bracket (#9) to the holes of the shelf (#10), then secure by using screws (#E).

#E x 2pcs



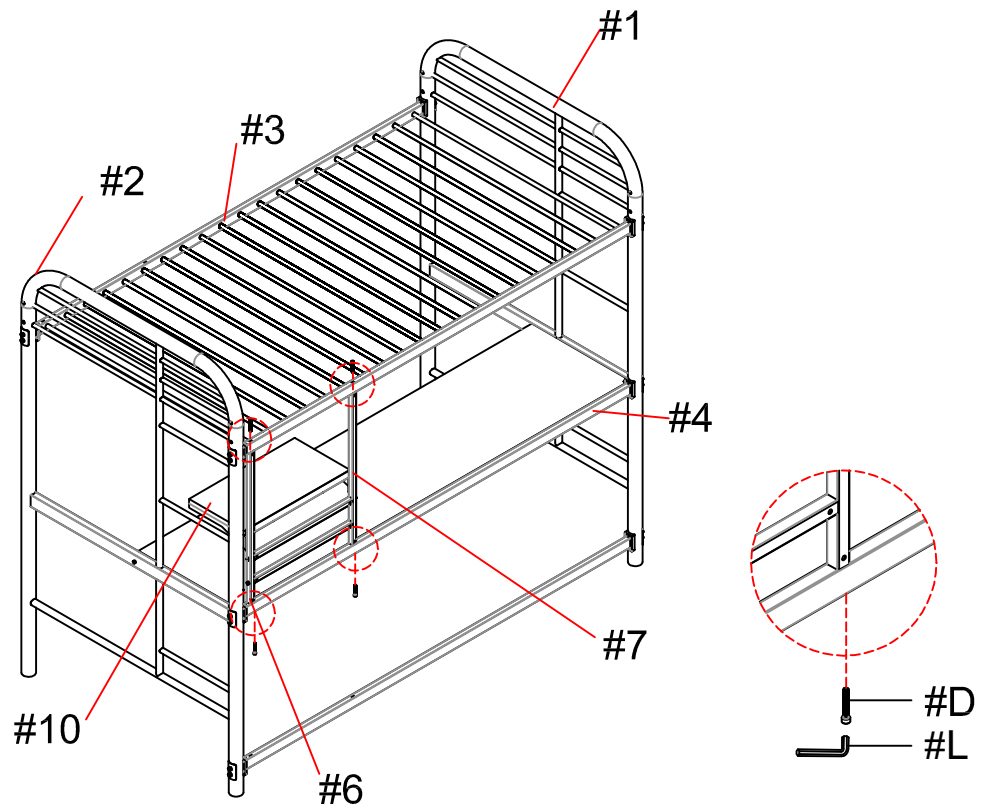
#E x 4pcs
#G x 4pcs



Align shelf side frames (#6,7) to the holes of the connect tubes (#8), then secure by using bolts (#G). Align shelf (#10) to side frames (#6,7), then secure by using screws (#E).



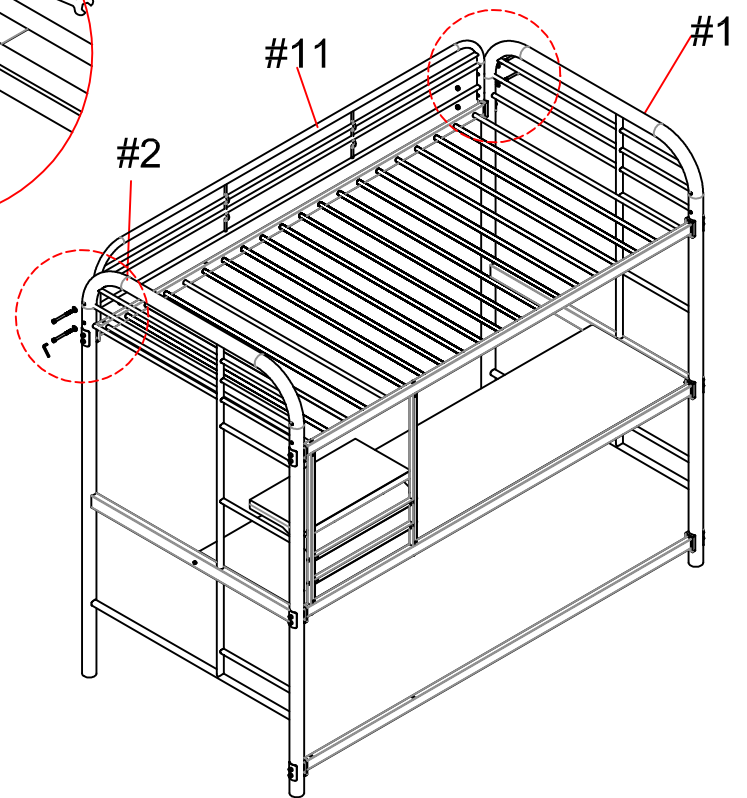
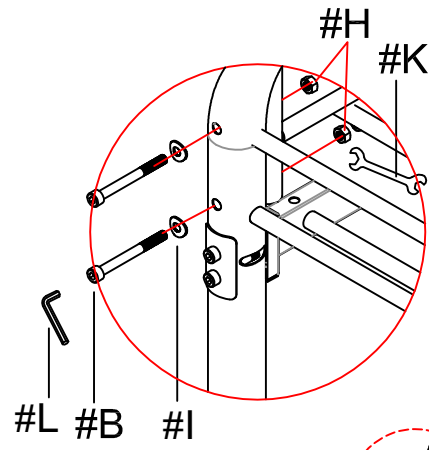
#D x 4pcs



Align side frames of shelf (#6,7) to the holes, then secure by using bolts (#D).



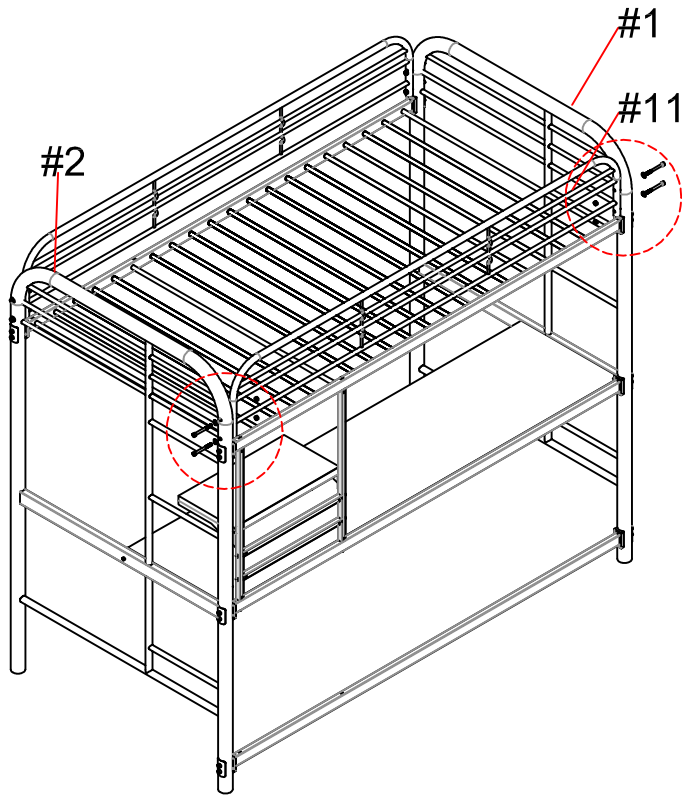
#B x 4pcs
#H x 4pcs
#I x 4pcs



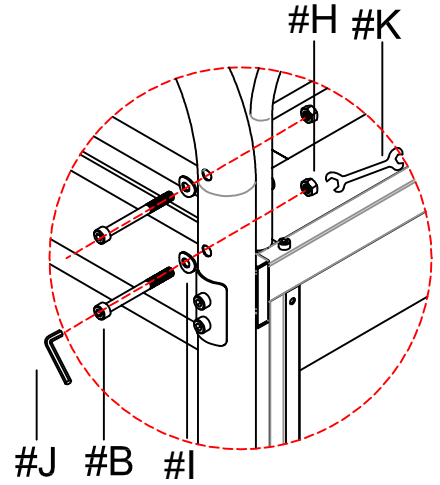
Align top guardrail (#11) to the headboards (#1,2), then secure by using bolts (#B) with washers (#I) onto hex nut (#H).



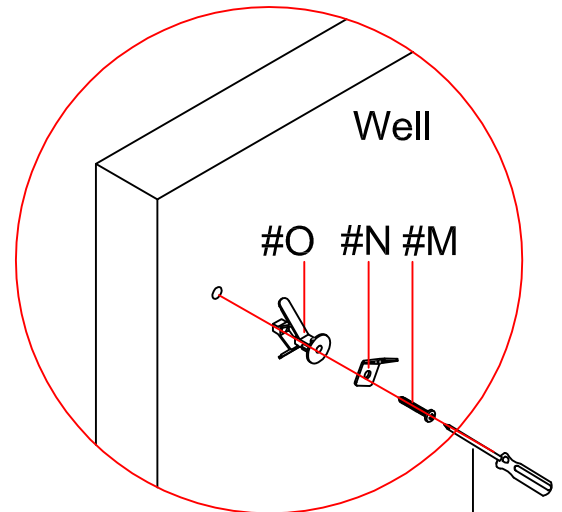
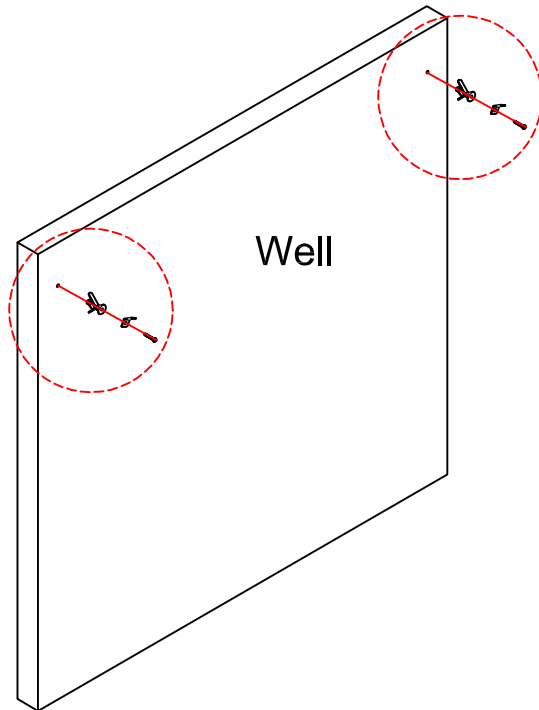
#B x 4pcs
 #H x 4pcs
 #I x 4pcs



Align top guardrail (#11) to the headboards (#1,2), then secure by using bolts (#B) with washers (#I) onto hex nut (#H).



#M x 2pcs
 #N x 2pcs
 #O x 2pcs

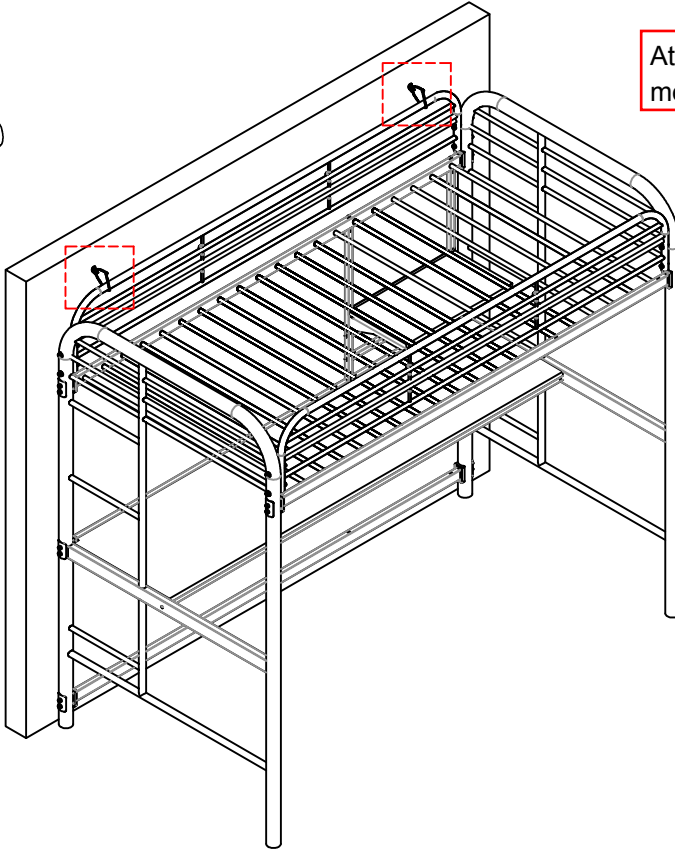


1) Place bunk bed by the wall to measure out the general area of where the wall anchor should be placed.
 2) Secure metal plate (#N) to the wall anchor (#O) by using screws (#M).

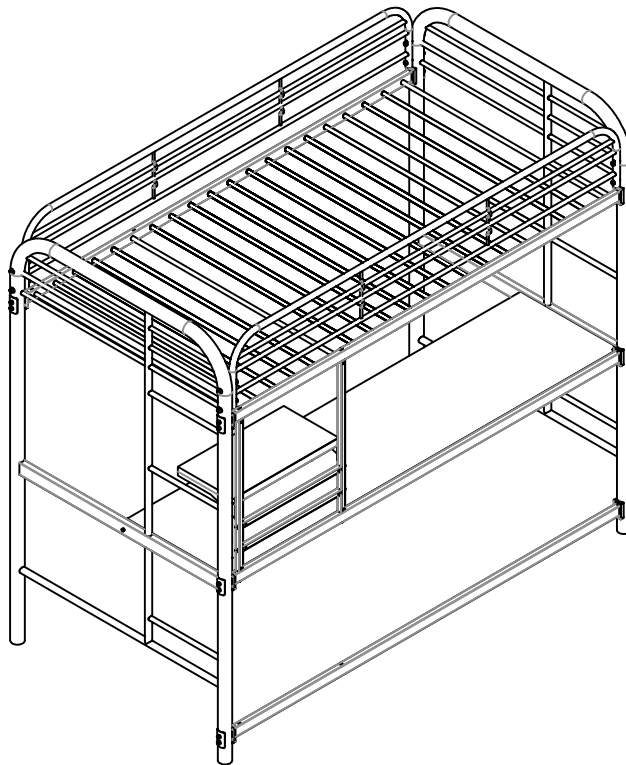
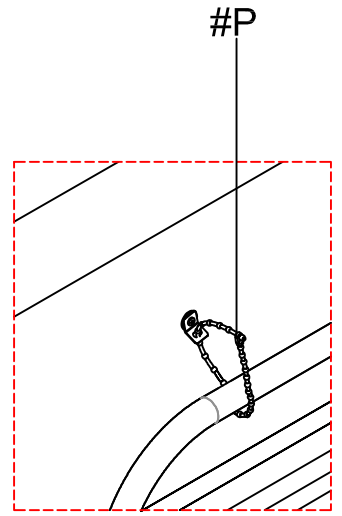
SCREWDRIVER
 (NOT PROVIDED)



#P x 2pcs



Attach the straps (#P) to the guardrail and metal plate.



Safety Warnings

1. Follow the information on the warnings appearing on the upper bunk end structure and on the carton . Do not remove warning label from bed.
2. Always use the recommended size mattress or mattress support, or both, to help prevent the likelihood of entrapment or falls.
3. Surface of mattress must be at least 5 in(127mm). below the upper edge of guardrails .
4. Do not allow children under 6 years of age to use the upper bunk.
5. Periodically check and ensure that the guardrail, ladder ,and other components are in their proper position ,free from damage ,and that all connectors are tight .
6. Do not allow horseplay on or under the bed and prohibit jumping on the bed.
7. Always use the ladder for entering and leaving the upper bunk.
8. Do not use substitute parts ,Contact manufacturer or dealer for replacement parts.
9. Use of a night light may provide added safety precaution for a child using the upper bunk.
10. Always use guardrails on both long sides of the upper bunk.
If the bunk bed will be placed next to the wall, the guardrail that runs the full length of the bed should be placed against the wall to prevent entrapment between the bed and the wall.
11. The use of water or sleep flotation mattress is prohibited .
12. Keep these instructions for future reference.
13. Use only mattress which is (74"-74.5")X(37 $\frac{1}{2}$ "-38 $\frac{1}{2}$ ")X6" on upper bunk and under bunk .
14. Prohibit more than one person on upper bunk.
15. Maximum total weight is not to exceed 400 lbs.on the upper bunk.

STRANGULATION HAZARD:

Never attach or hang items to any part of the bunk bed that are not designed for use with the bed, for example, but not limited to, hooks, belts, and jumpropes.