

Assembly Instructions

Caution : You must read this before you proceed

Care & Maintenance



- Not for commercial use. For residential use only.



- Furniture may scratch floors. We recommend using furniture pads to protect your floors.



- Do not put hot items directly on furniture surface.



- Do not clean furniture with harsh cleansers or polish.



- Do not place furniture under direct sunlight.



- Do not place furniture near heating or cooling vents.



- Do not write on furniture without a padded barrier to protect the surface.



- Do not place furniture outside . For indoor use only.



- Stains may be removed with mild soap solution and damp cloth.



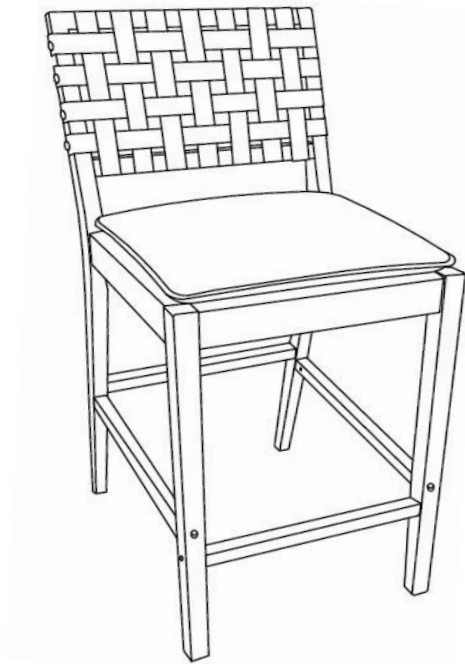
- Children should not climb or jump on the furniture.



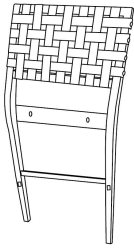






- Dust and pick-up spills using a clean, non-colored, lint-free cloth.

Please look in chair for hardware packs and legs.
Sets often ship in multiple boxes and may arrive a day or two apart.

Barstool



Parts List

Label	Picture	Description	QTY
A		Backrest with Back Leg	1
B		Seat	1
C		Left Front Leg	1
D		Right Front Leg	1
E		Front Crossbar	1
F		Left Crossbar	1
G		Right Crossbar	1

Hardware

Label	Picture	Description	QTY
①		Bolt (M6X70mm)	7
②		Bolt (M8X60mm)	8
③		Spring Washer	8
④		Flat Washer	8
⑤		Cam lock	7
⑥		Allen Wrench (M6)	1
⑦		Allen Wrench (M8)	1

Assembly Preparation

Before Beginning Assembly:

The diagram illustrates the hardware items and components needed for assembly preparation. It includes:

- Hardware items ① through ⑦, each with a quantity: ① x7, ② x8, ③ x8, ④ x8, ⑤ x7, ⑥, and ⑦.
- Component A: A chair frame with a woven backrest.
- Component B: A rectangular cushion or pad.
- Component C: A long, thin metal bar.
- Component D: A long, thin metal bar with a different profile than C.
- Component E: A long, thin metal bar with a different profile than C and D.
- Component F: A long, thin metal bar with a different profile than C, D, and E.
- Component G: A long, thin metal bar with a different profile than C, D, E, and F.



- Read instructions, cover to cover-



- Have 2 adults on hand for assembly-



- Do not assemble on flooring or carpet-



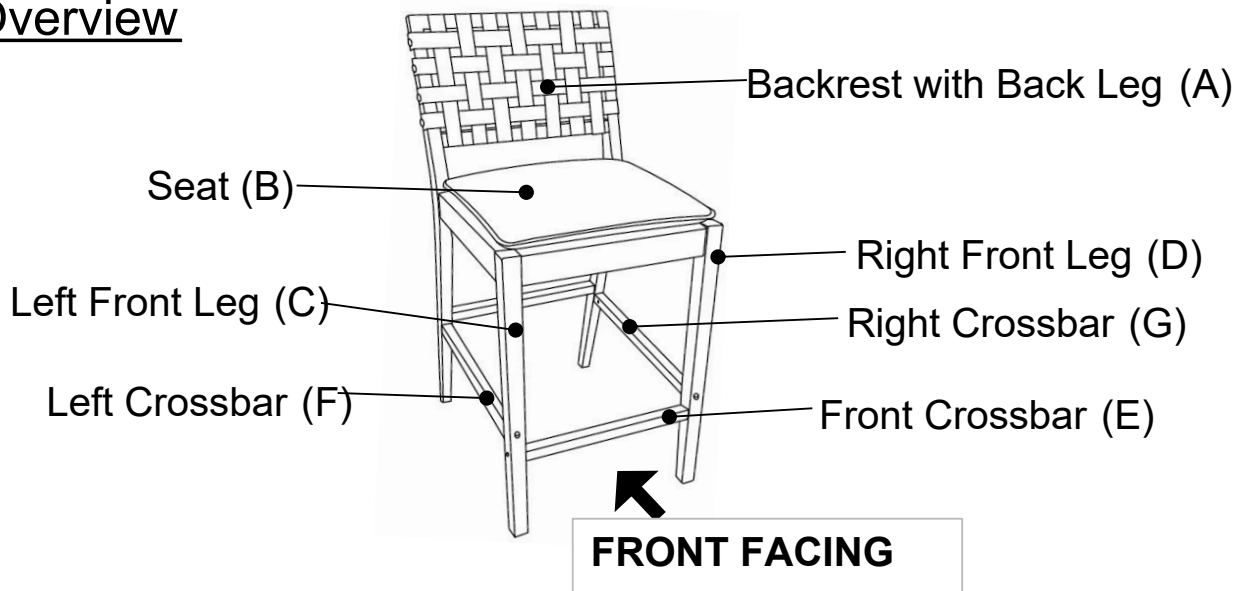
- Assemble on a clean non-marring surface (packing foam)-



- Save all packaging until finished-

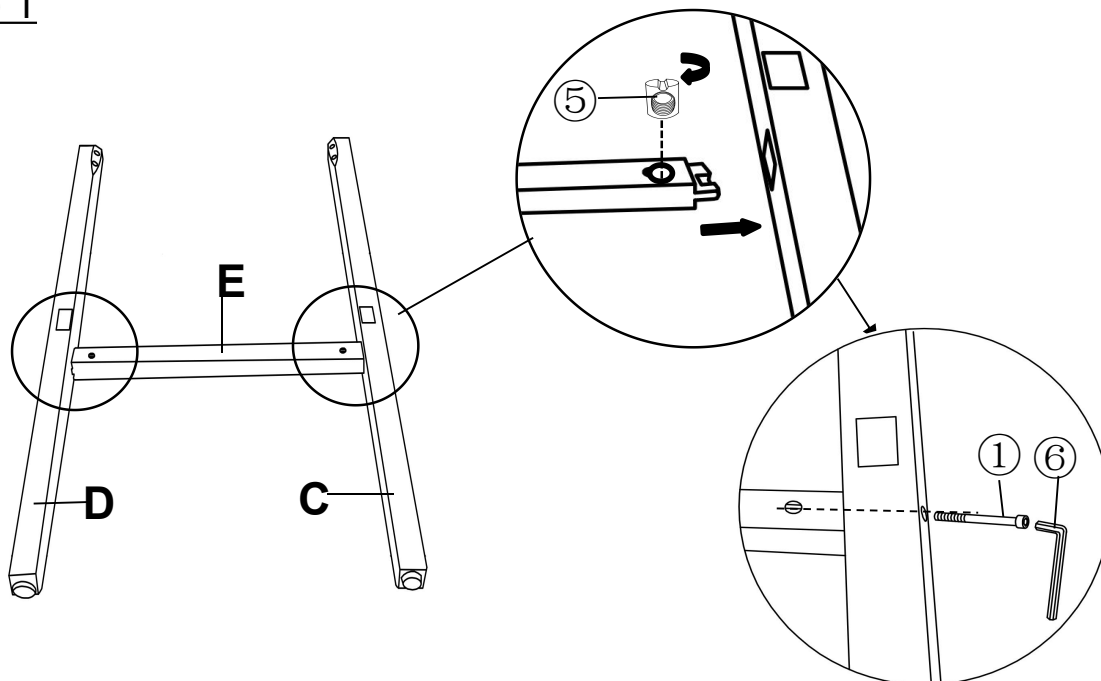
Assembly Steps

Overview



This chair has multiple parts and may require up to 30 minutes to assemble. To give you an overview of the chair parts, the above picture is provided to help you put the various parts into perspective. Please read through the instructions below to familiarise yourself with the parts and steps before assembly.

Step 1

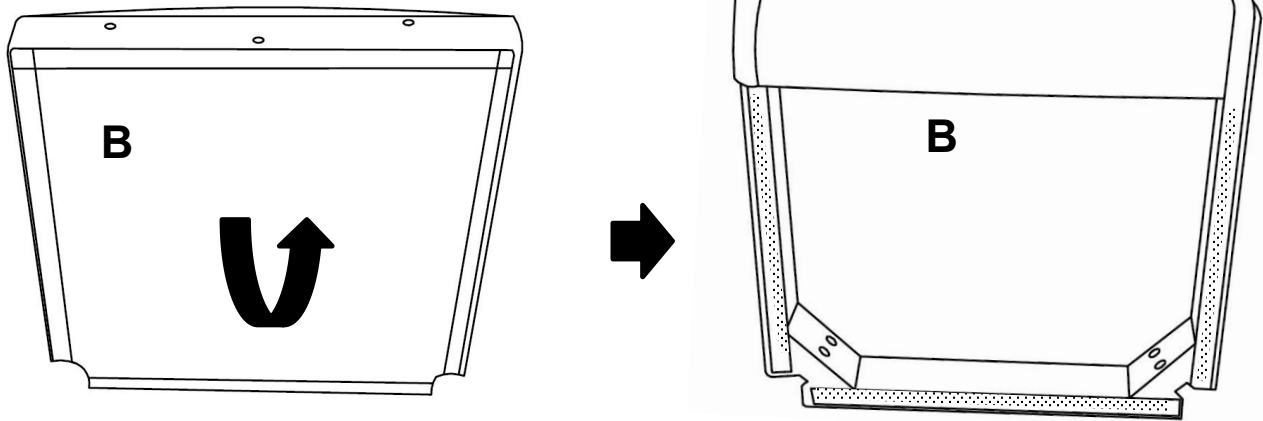


Open the carton, and place all parts on a clean, non-marring surface.

Attach the Front Crossbar (E) to Left Front Leg (C) and Right Front Leg (D) using Cam Lock (5) and Bolts (1) with Allen Wrench (6).

Do Not Fully Tighten the Bolts.

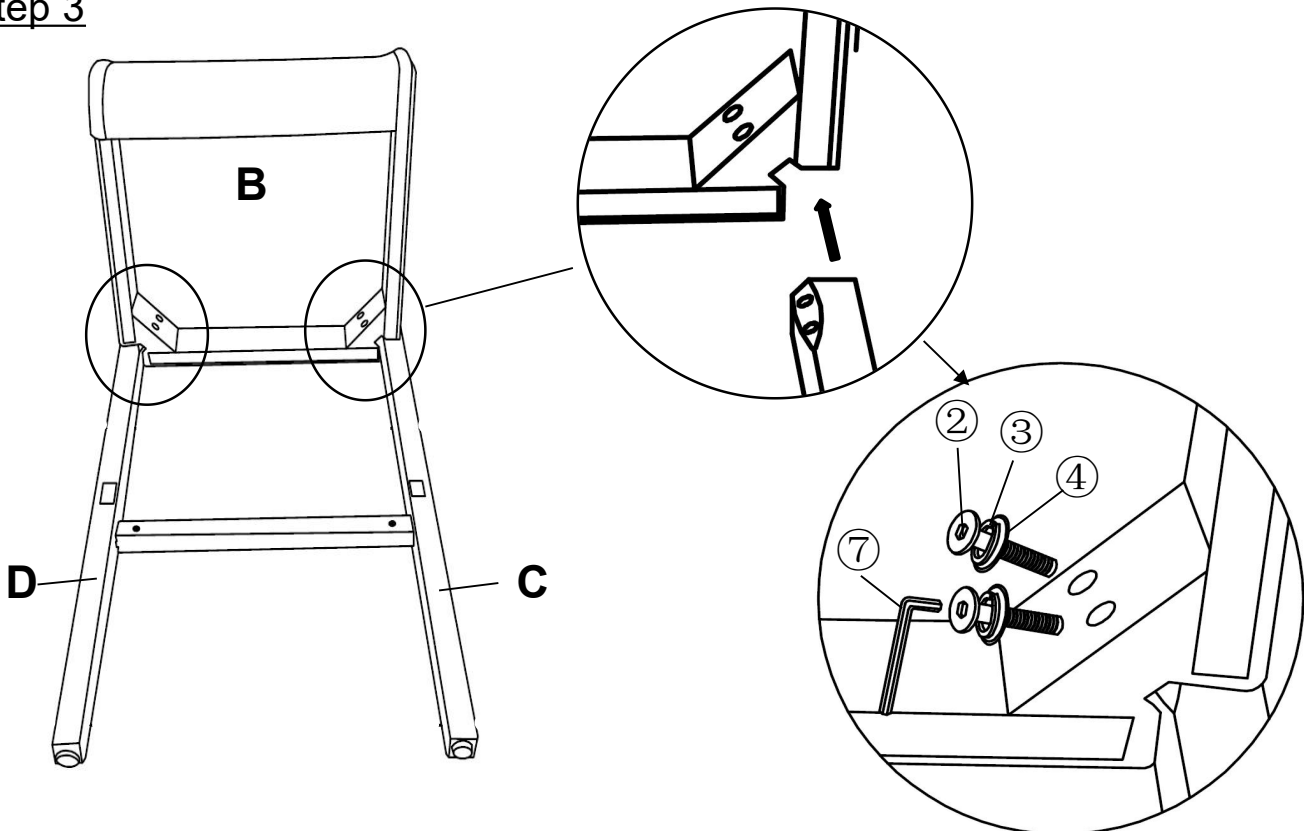
Step 2



Take out the Seat (B), uncover the bottom cloth, and expose the interior of the seat.

There are magic taps around the bottom of the seat frame.

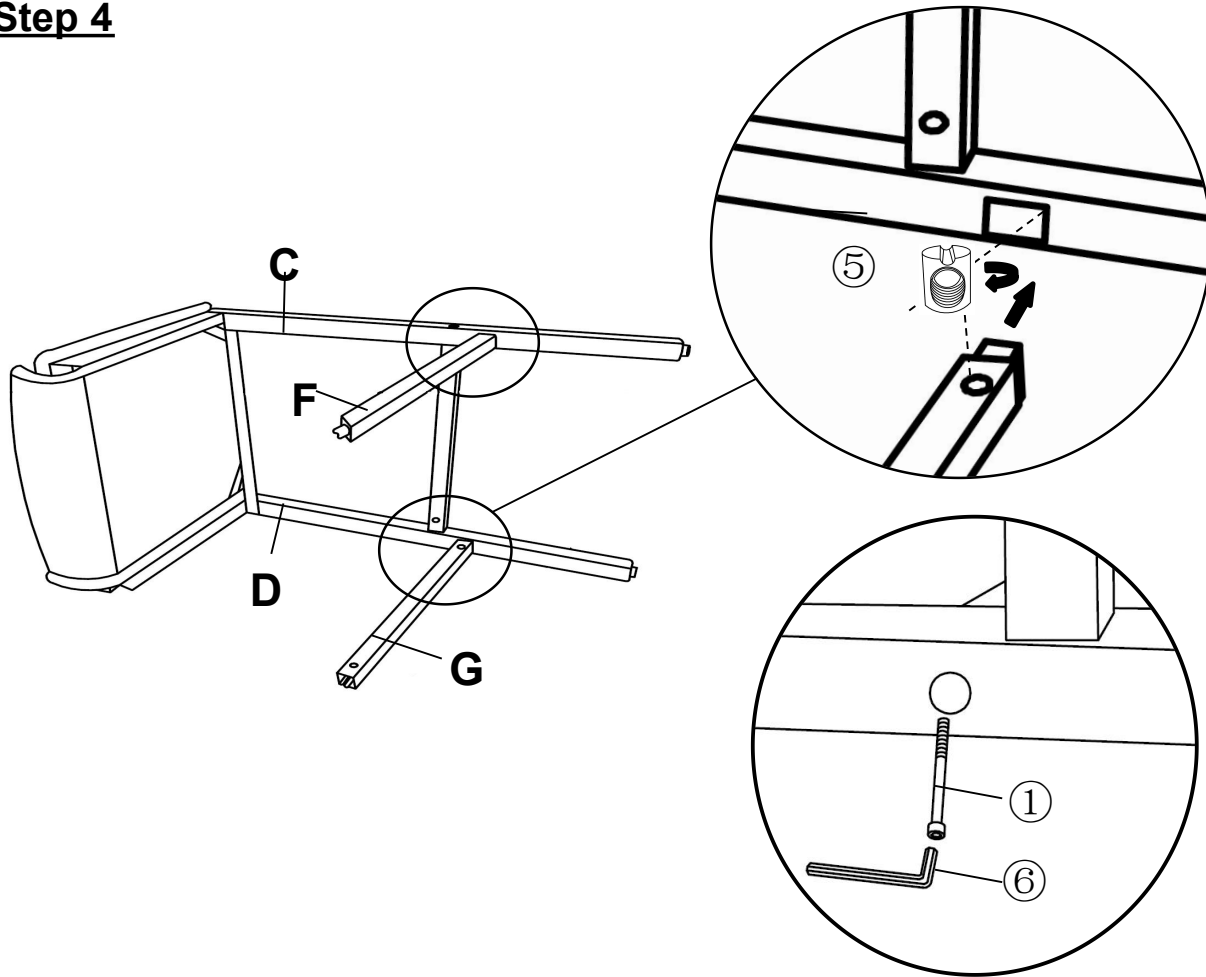
Step 3



Attach the he Seat (B) to the Front Leg (C & D) using Bolts (②), Spring Washer (③) and Flat Washer (④) with Allen Wrench (⑦).

Do Not Fully Tighten the Bolts.

Step 4

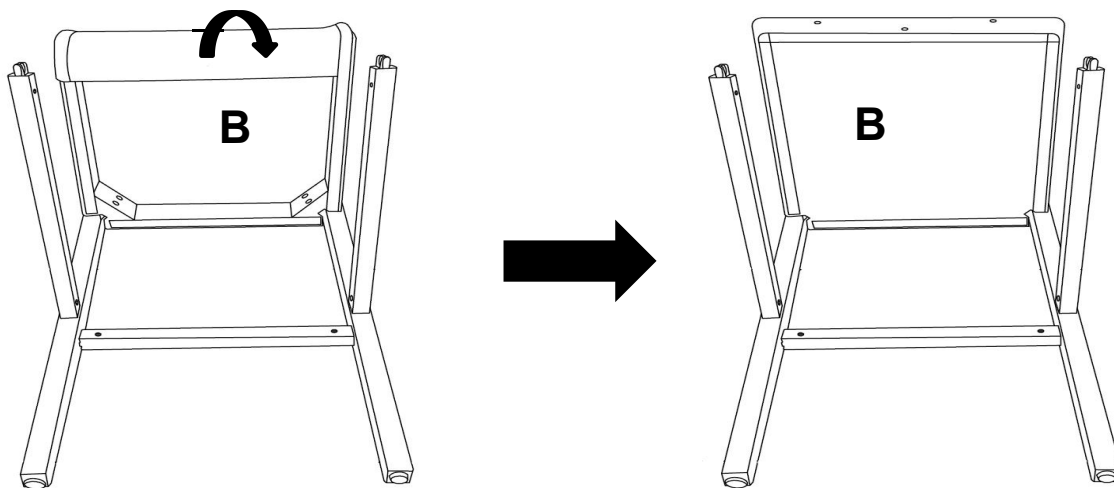


Attach the Left Crossbar (F) to Left Front Leg (C) using Cam Lock (⑤) and Bolts (①) with Allen Wrench (⑥).

Repeat this step and assemble the Right Crossbar (G) to the Right Front Leg (D).

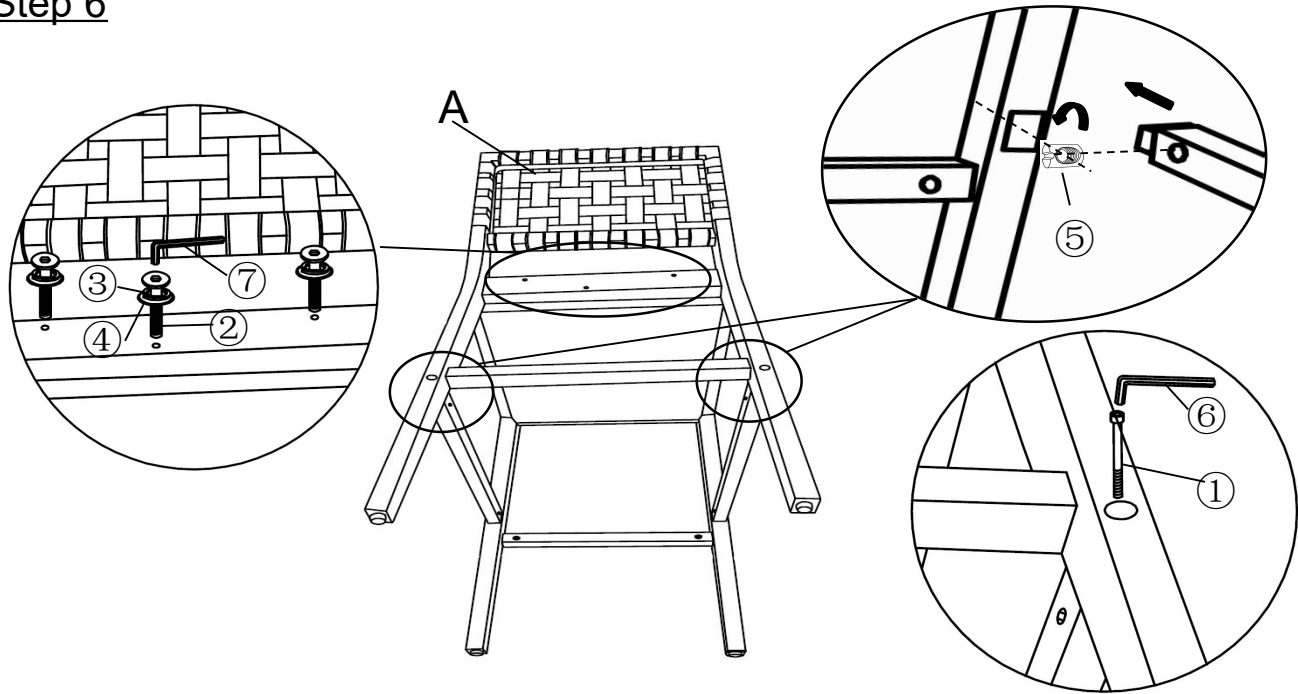
Do Not Fully Tighten the Bolts.

Step 5



Cover the bottom cloth of Seat (B) down and fasten the magic tap properly.

Step 6

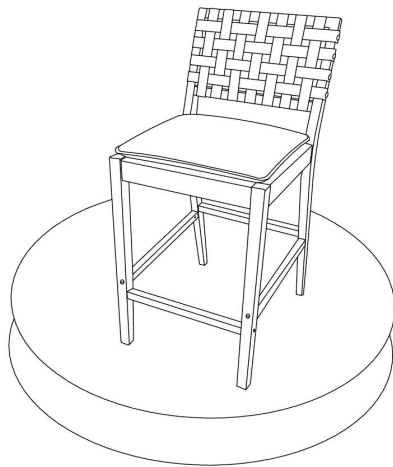


Attach the Backrest with Back Leg (A) to the Left Crossbar(F) and Right Crossbar (G), using Cam Lock (⑤) and Bolts (①) with Allen Wrench (⑥).

Attach the Backrest with Back Leg (A) to the Seat (B) using Bolts (②), Spring Washer (③) and Flat Washer (④) with Allen Wrench (⑦).

Do Not Fully Tighten the Bolts.

Step 7



Stand the Barstool upright, and place it on a **LEVEL SURFACE**.

Inspect it and make sure all parts are adequately connected.

Gently and carefully tap the seat and check for wobbleness, then tighten all bolts in a sequential manner.

If there is still wobbling, loosen the bolts and repeat the same process until all the Bolts are Fully Tightened.

Your Barstool is ready for use.

This Barstool can only be used on a flat, level surface.

Questions & Answers about Proposition 65

- What is Proposition 65?

Proposition 65 requires businesses to provide warnings to Californians about significant exposures to chemicals that cause cancer, birth defects or other reproductive harm. These chemicals can be in the products that Californians purchase, in their homes or workplaces, or that are released into the environment. By requiring that this information be provided, Proposition 65 enables Californians to make informed decisions about their exposures to these chemicals.

Proposition 65 also prohibits California businesses from knowingly discharging significant amounts of listed chemicals into sources of drinking water.

Proposition 65 requires California to publish a list of chemicals known to cause cancer, birth defects or other reproductive harm. This list, which must be updated at least once a year, has grown to include approximately 900 chemicals since it was first published in 1987.

- What types of chemicals are on the Proposition 65 list?

The list contains a wide range of naturally occurring and synthetic chemicals that include additives or ingredients in pesticides, common household products, food, drugs, dyes, or solvents. Listed chemicals may also be used in manufacturing and construction, or they may be byproducts of chemical processes, such as motor vehicle exhaust.

- What does a warning mean?

If a warning is placed on a product label or posted or distributed at a workplace, a business, or in rental housing, the business issuing the warning is aware or believes that it is exposing individuals to one or more listed chemicals.

By law, a warning must be given for listed chemicals unless the exposure is low enough to pose no significant risk of cancer or is significantly below levels observed to cause birth defects or other reproductive harm.

- Where can I get more information on Proposition 65?

If you have specific questions on the administration or implementation of Proposition 65, you can contact OEHHA's Proposition 65 program at P65.Questions@oehha.ca.gov, or by phone at (916) 445-6900.