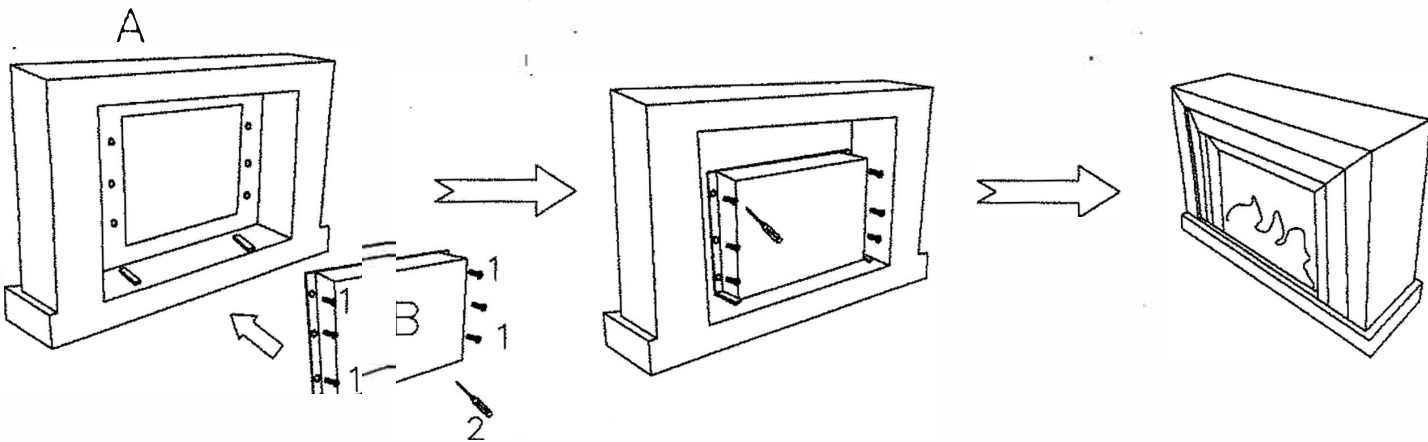


Assembly Instruction



Parts Details		
PART NO		QTY
A		1pc
B		1pc
1		6pcs
2		1pc