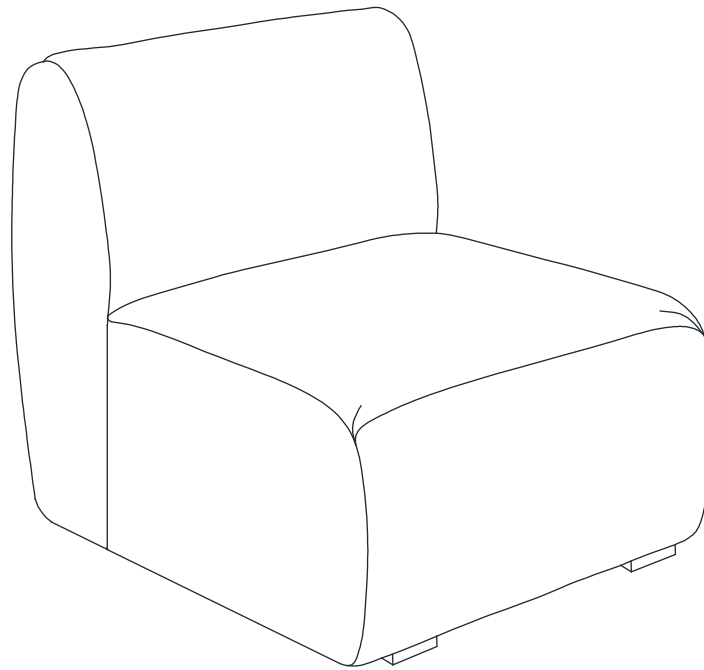


# **ASSEMBLY INSTRUCTIONS.**

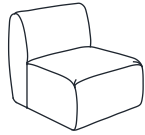
SLIPPER CHAIR ESPRESSO



THANK YOU FOR YOUR PURCHASE!

## PARTS AND HARDWARE.

(A) SEAT x 1



(B) LEGS x 4



(C) BOLTS (Ø5/16"-50MM) x 4



(D) LOCK WASHERS (Ø12-Ø8.5-1MM) x 4



(E) FLAT WASHERS (Ø19-Ø8.5-1.5MM) x 4



(F) ALLEN WRENCH (K4) x 1



(G) FEMALE BRACKETS (55-43-18MM) x 2



(H) MALE BRACKETS (140-54-13MM) x 2



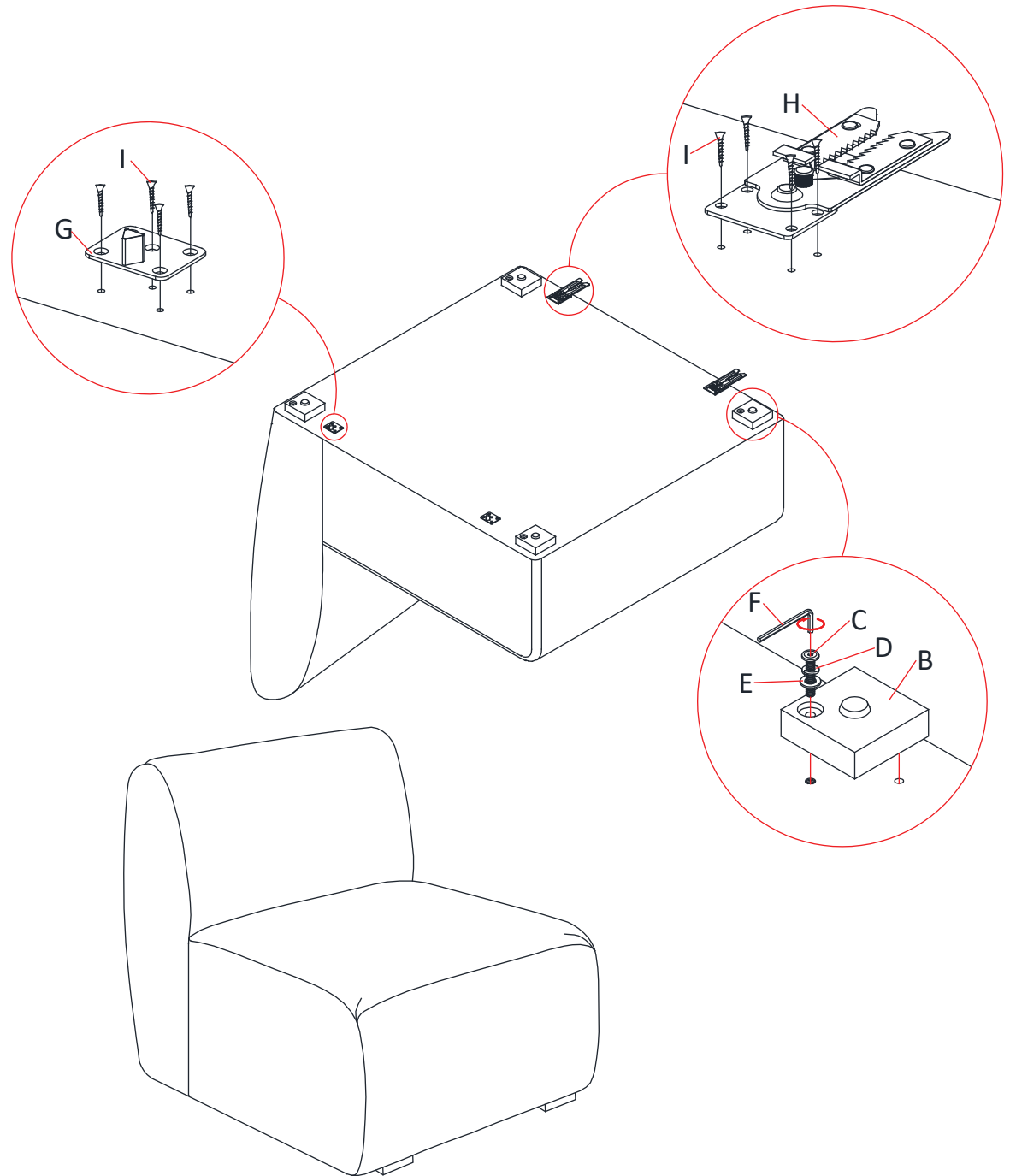
(I) SCREWS (M3-25MM) x 18

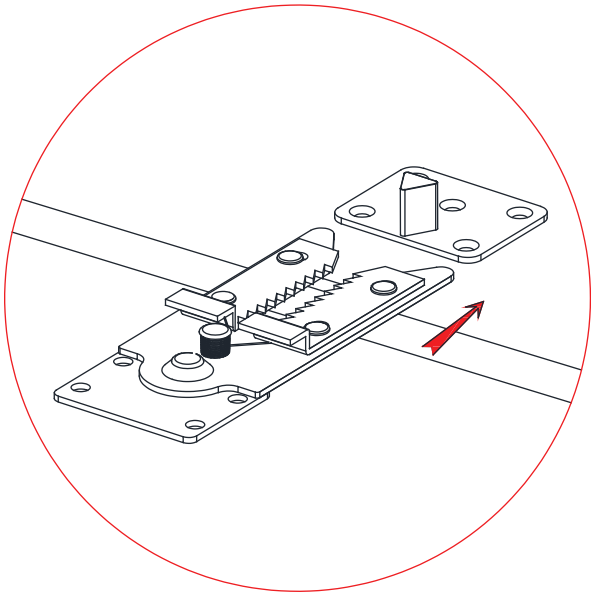


## NOTES.

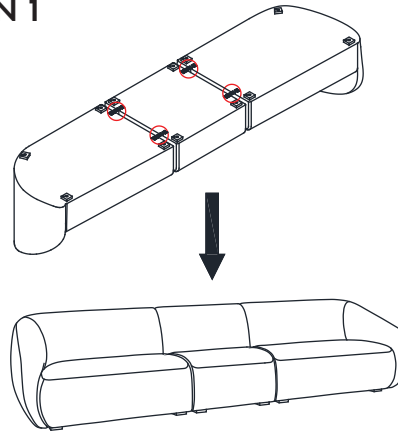
Thank you for purchasing this quality product! Be sure to check all packing material carefully for small part that may have come loose inside the carton during shipping.

**CAUTION:** The item is heavy, assembly should be performed by two people.

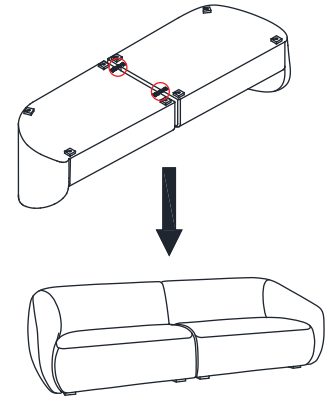




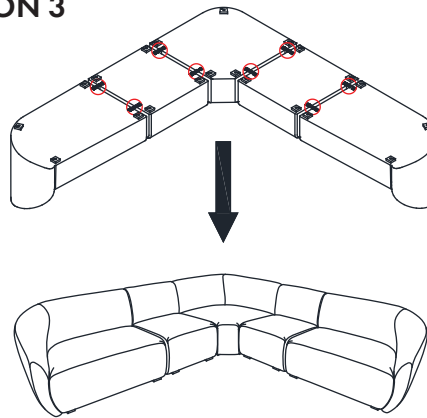
OPTION 1



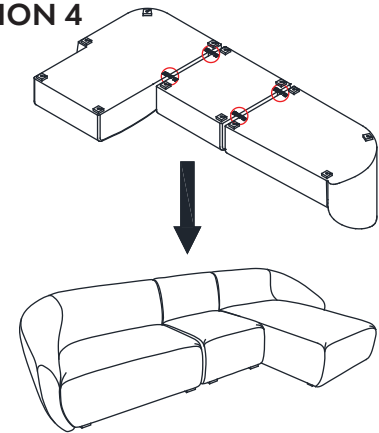
OPTION 2



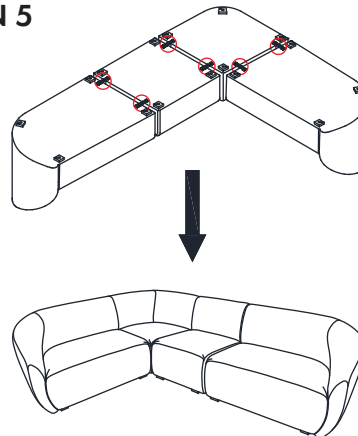
OPTION 3



OPTION 4



OPTION 5



OPTION 6

