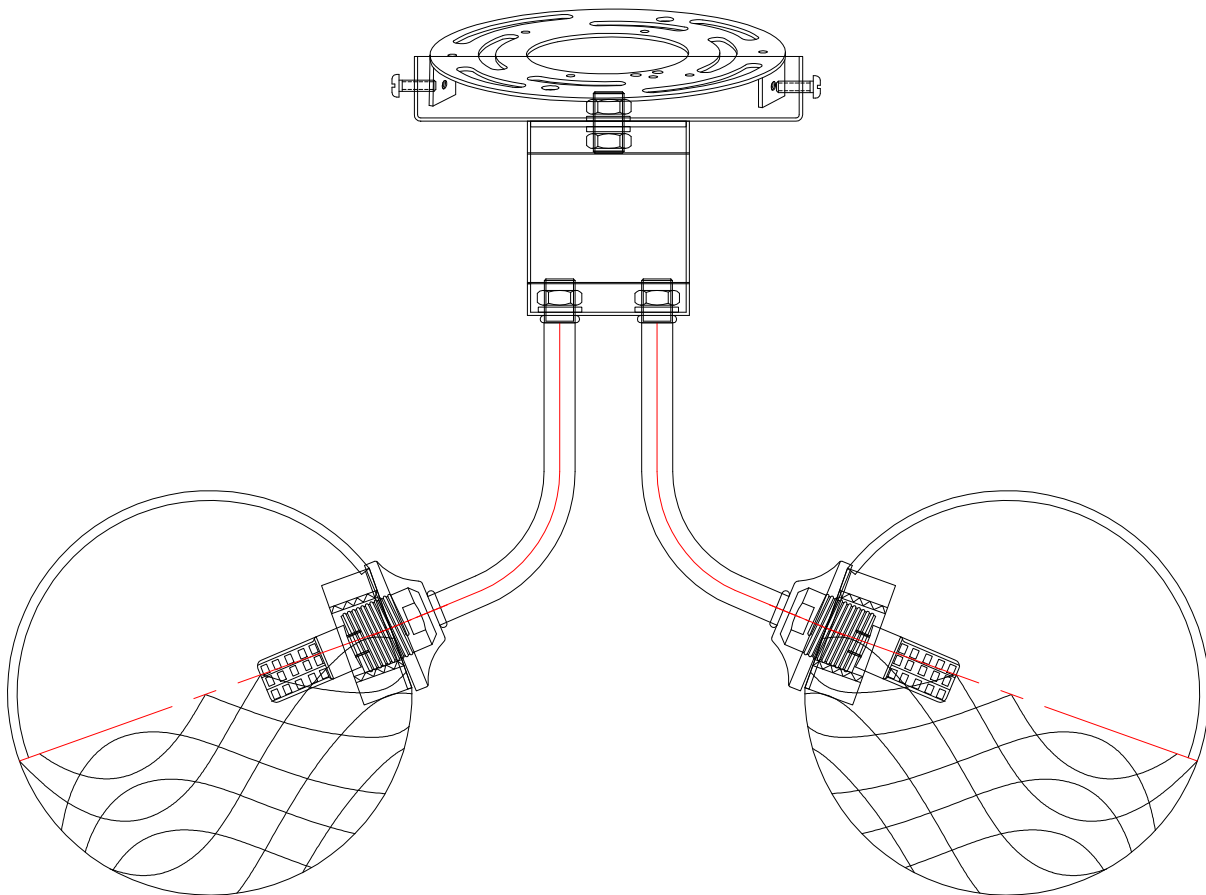


Item SKU : 8264CL-04

**WARNING (To reduce the risk of fire, electric shock, or personal injury):**


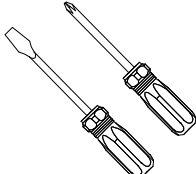
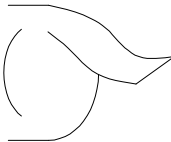
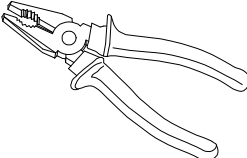
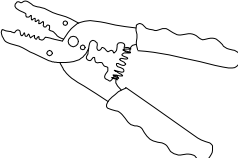
1. We suggest installation by a licensed electrician.
2. Please read the instruction carefully and save it as you may need it at a later time.
3. Before you start, NEVER attempt any work without shutting off the electricity until the work is done.
  - ?Go to the main fuse, or circuit breaker, box in your home.  
Place the main power switch in the "OFF" position.
  - ?Place the wall switch in the "OFF" position.
5. Make sure that the ceiling or wall can stand the weight of the lamp before installation.
6. Make sure the voltage you are using is 110V. Maximum wattage per bulb (excluding bulbs) 60W.
7. Keep the lamp away from acidic and alkaline substances in case of damaging the surface of the lamp.
8. When replacing bulbs, you should turn off or unplug the lamp and you must wait until it is cool as bulbs get hot quickly.
9. The safety instructions appearing in this manual are not meant to cover all possible conditions that may occur. It must be understood that common sense, caution and care must be used with any electrical products.

**IMAGE FOR FINISHED PRODUCT:**



**TOOLS REQUIRED  
(NOT INCLUDED):**

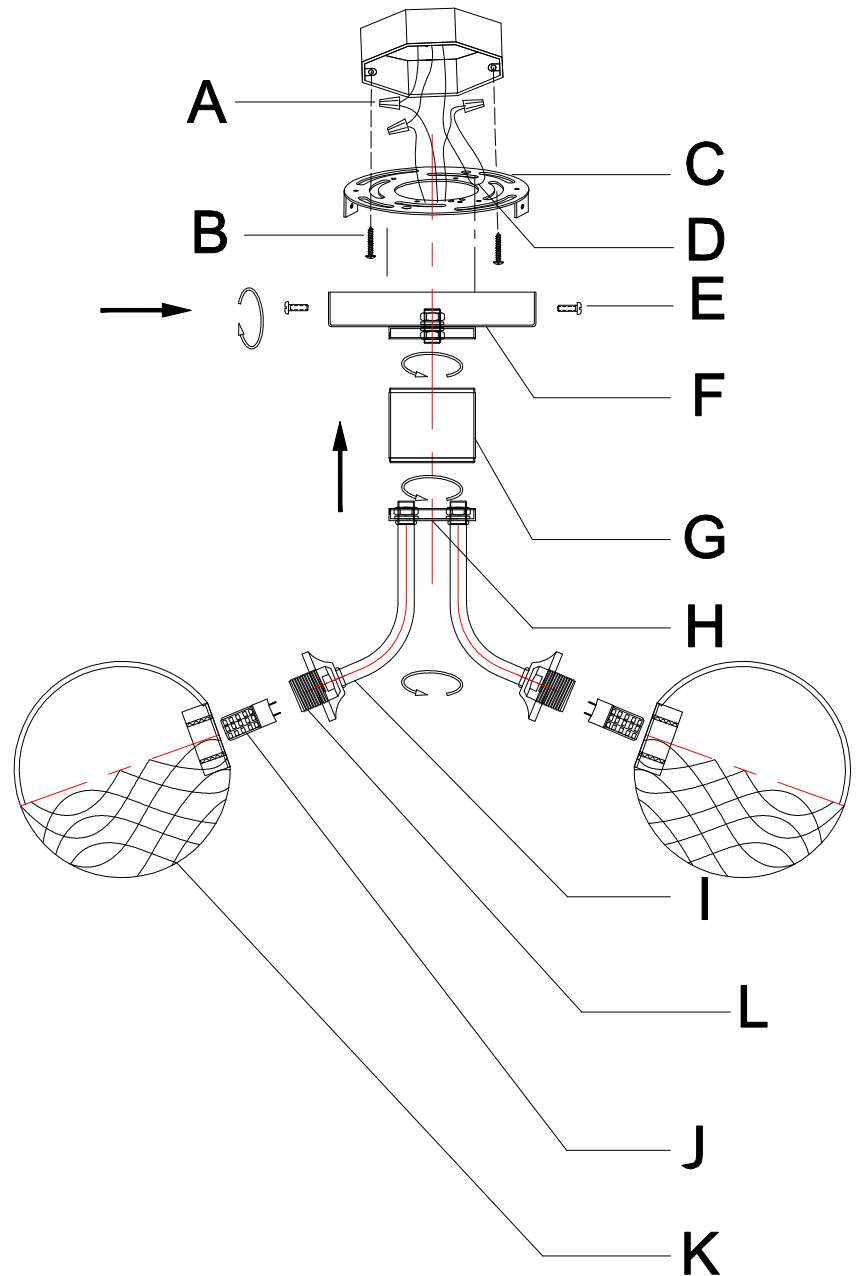
**Before starting assembly and installation please prepare the needed tools as below picture**

				
Ladder	Philips Head or Flat Blade Screwdriver	Electrical Tape	Pliers	Wire Cutter/Stripper

## OUTLET BOX

### PARTS TYPE & QTY INCLUDING:

- (C) Mounting plate (1)
- (D) Green ground screw (1)
- (E) Fixing screw (2)
- (F) Ceiling-mounted tray (1)
- (G) Cylindrical tube (1)
- (H) Lamp arm fixed cover (1)
- (I) Supported lamp arm (4)
- (J) G9 Bulb (4)
- (K) Glass lampshade (4)
- (L) Lamp stand (4)



### ACCESSORIES & QTY ENCLOSED:

- (A) Plastic wire connector (3)
- (B) Mounting screw (2)

### ASSEMBLY & INSTALLATION INSTRUCTIONS:

1. Carefully remove the fixture from the carton and check that all parts and accessories are included as shown in the above illustration.

2. Turn off power

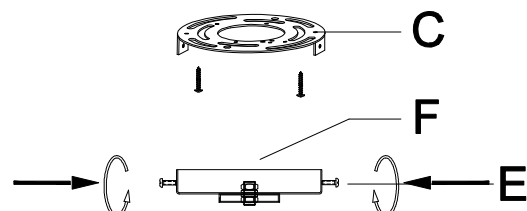
Before you start the installation, NEVER attempt any work without shutting off the electricity until the work is done.

Go to the main fuse, or circuit breaker, box in your home.

Place the main power switch in the "OFF" position.

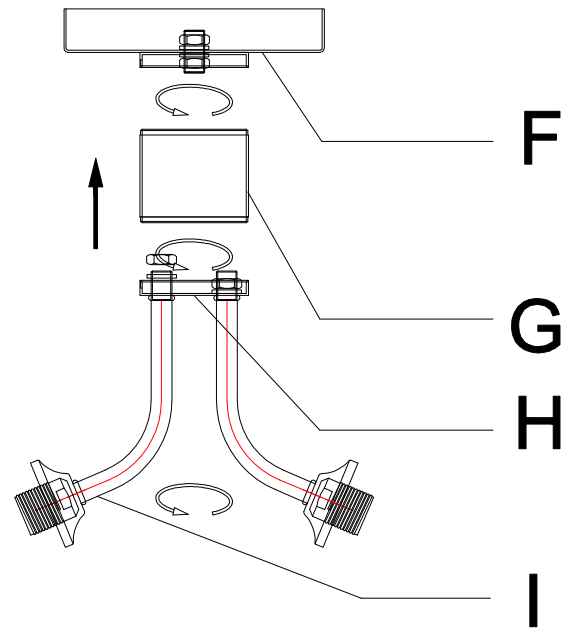
Place the wall switch in the "OFF" position.

- 3
- Unscrew knob nuts (G) from canopy (E).
  - Remove mounting plate (C).

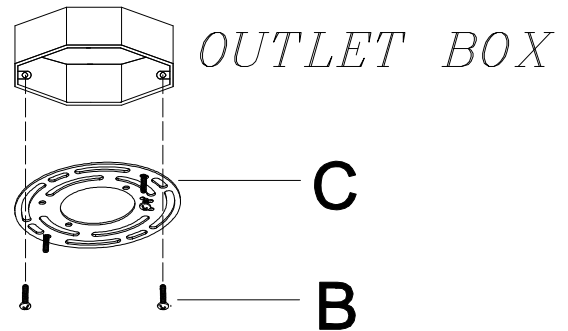


- 4 1)Bring(G)Rotate and connect to(F).  
Use a wrench to (I)tighten and fix it to(H).

2)Adjust well(I),the angle will(H)connect to(G)



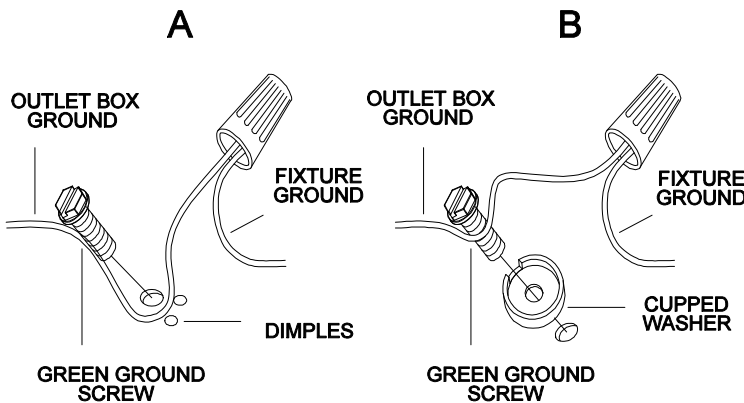
- 5 Attach mounting plate (C) to the outlet box with mounting screws (B).



- 6 Make wire connections

Connect wires as below wires connection shown.REFER TO THE FOLLOWING CHARTS, NEVER CONNECT OTHER WIRES TO GROUND WIRES.

Connect ground wires according to the below chart



Connect wires according to the below chart

Connect black or red power cord to:	Connect White Supply Wire to:
Black	White
*Parallel cord (round & smooth)	*Parallel cord (square & ridged)
Clear, Brown, Gold or Black without tracer	Clear, Brown, Gold or Black with tracer
Insulated wire (other than green) with copper conductor	Insulated wire (other than green) with silver conductor

When using parallel wires (SPT I and SPT II), the neutral wires are square or angular, and the other wires are round or smooth (see figure).

Neutral Wire

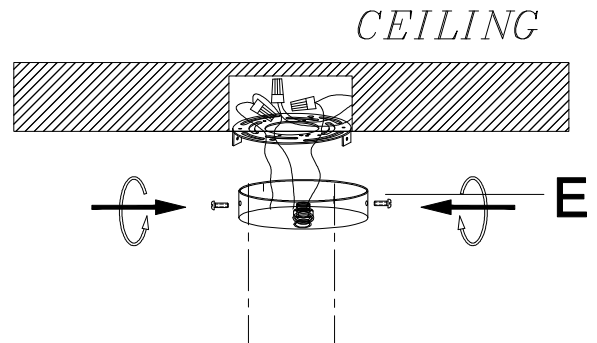
- .Twist wires together with plastic wire connector (A) until tightly joined.
- .Wrap each connector with approved electrical tape for a more secure connection.
- .Carefully tuck all wires into the outlet box.

- 7 Raise canopy (E) to the ceiling and secure canopy (E) in place by tightening knob nuts (G) onto the pre-assembled screws in mounting plate (C).

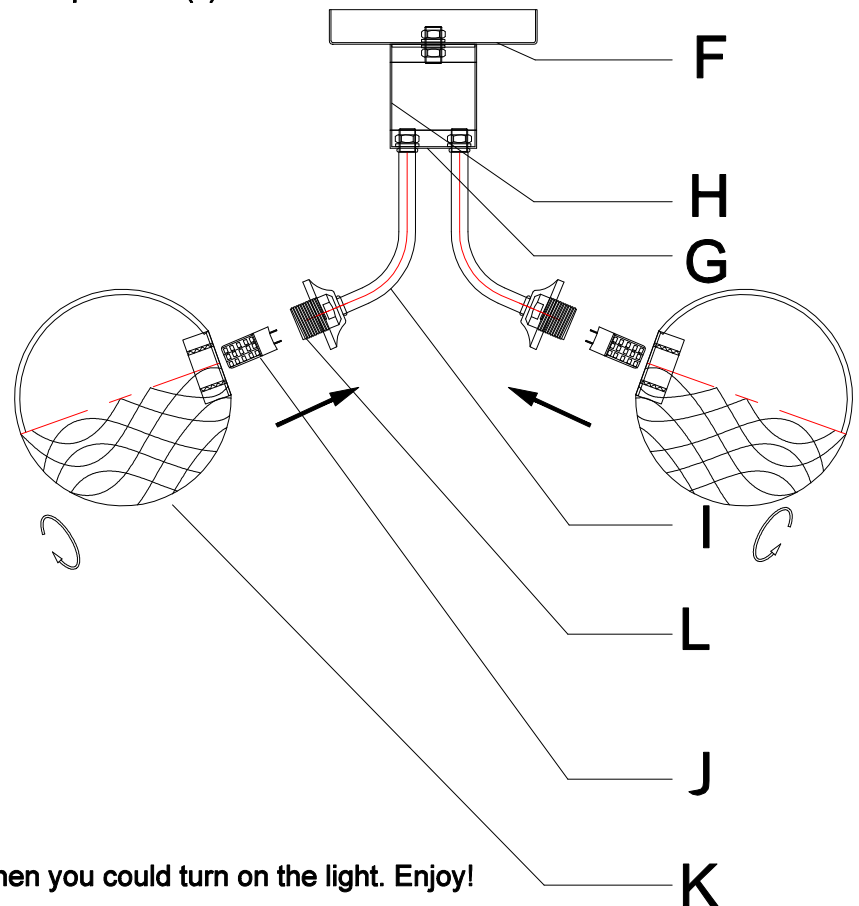
Note: canopy (E) should be snug against the ceiling and knob nuts (G).

If not, adjust the threaded length on mounting plate assembly (C):

- .Unscrew the pre-assembled hex nuts.
- .Screw the pre-assembled screws in or out of mounting plate (C).
- .When the secure length is achieved, tighten the hex nuts and back to step 7.



- 8 1) Insert the light source (J) into the lamp holder (L).  
2) Rotate and tighten the lampshade (K) to the lamp holder (L).



9. Check everything is already installed properly, then you could turn on the light. Enjoy!

#### ORDERING PARTS

Keep this sheet for future reference in case you need to order replacement parts. All parts for this fixture can be ordered from the place of purchase. Be sure to use exact wording from illustration when ordering parts.

#### CLEANING

To clean, wipe the fixture with a soft cloth. Clean glass with a mild cleaner (such as mild and non-abrasive soap). Do not use abrasive materials such as scouring pads or powders, steel wool or abrasive paper.