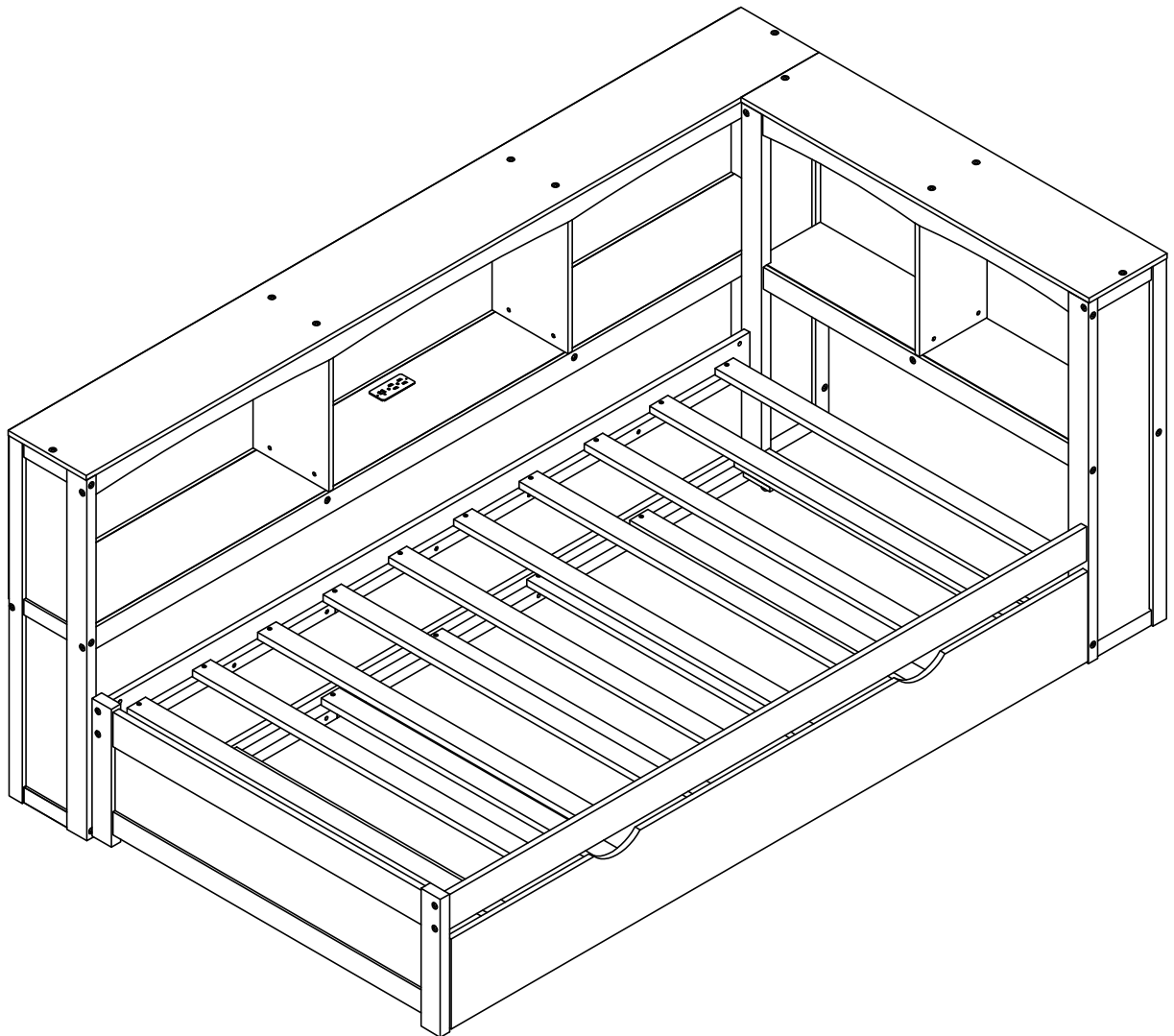
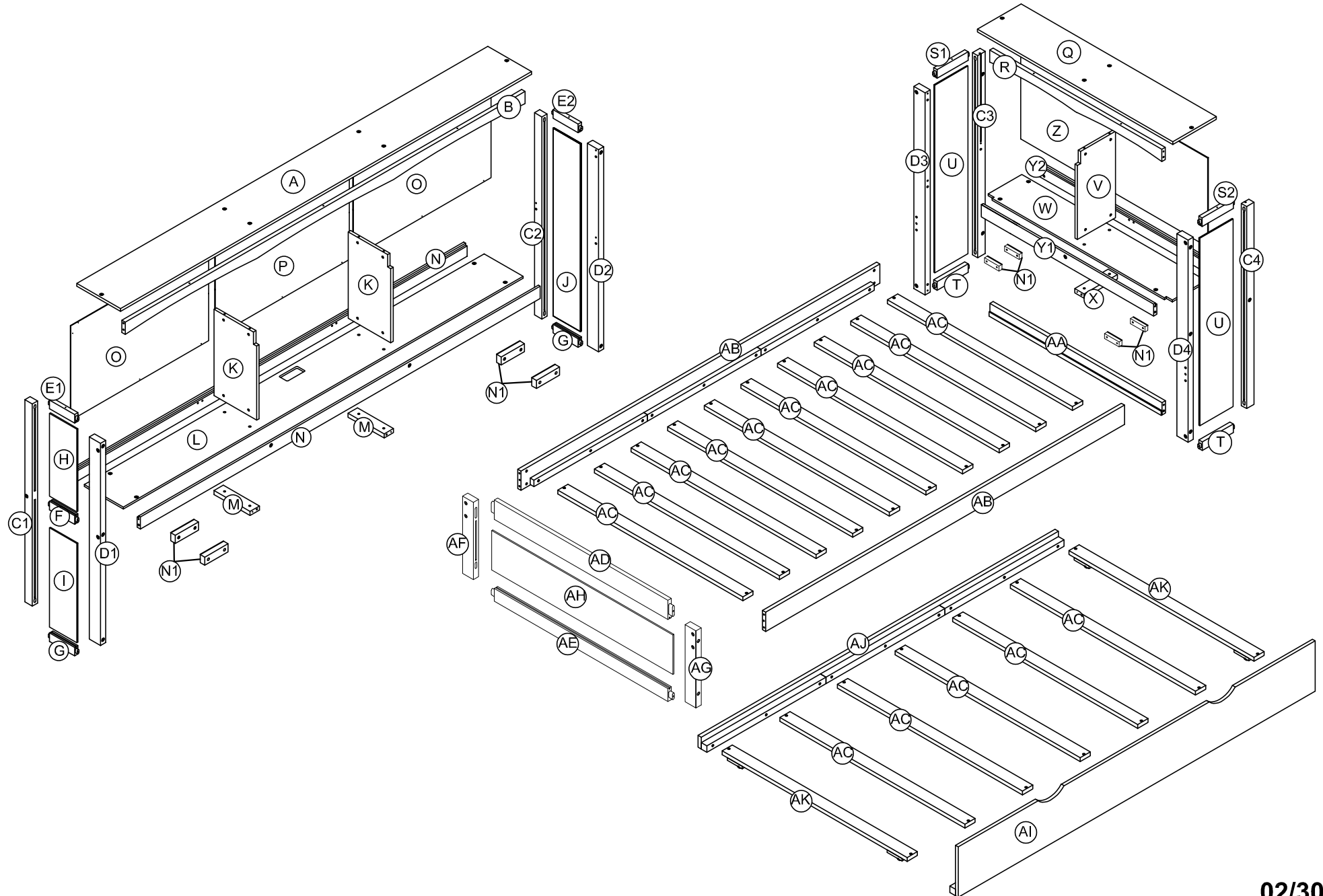






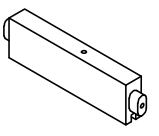
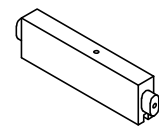
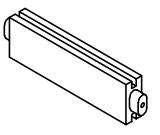
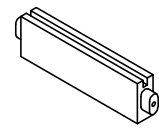
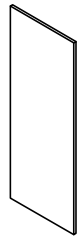
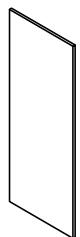
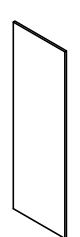
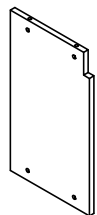
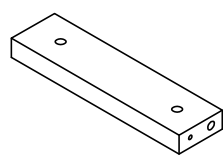
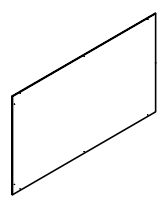
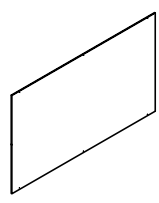
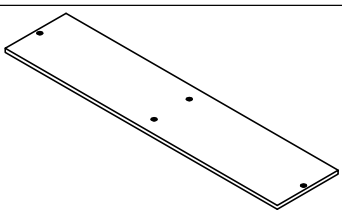
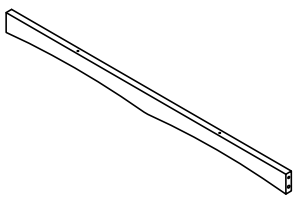
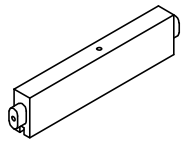
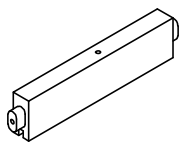
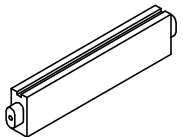

ASSEMBLY INSTRUCTION



ASSEMBLY INSTRUCTION

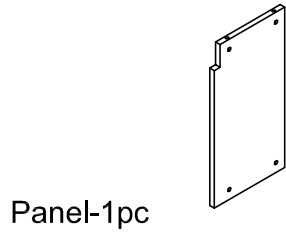


Part List

C1  WoodBar-1pc	C2  WoodBar-1pc	C3  WoodBar-1pc
C4  WoodBar-1pc	E1  WoodBar-1pc	E2  WoodBar-1pc
F  WoodBar-1pc	G  WoodBar-2pcs	H  Panel-1pc
I  Panel-1pc	J  Panel-1pc	K  Panel-2pcs
M  WoodBar-2pcs	O  Panel-2pcs	P  Panel-1pc
Q  Top Panel-1pc	R  WoodBar-1pc	S1  WoodBar-1pc
S2  WoodBar-1pc	T  WoodBar-2pcs	U  Panel-2pcs

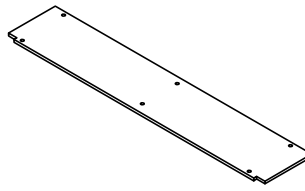
Part List

V



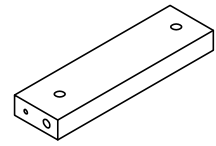
Panel-1pc

W



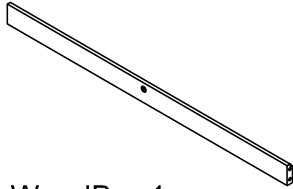
Panel-1pc

X



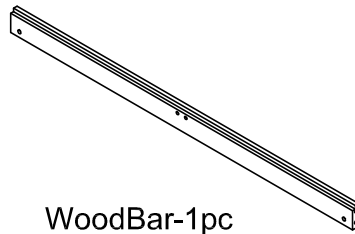
WoodBar-1pc

Y1



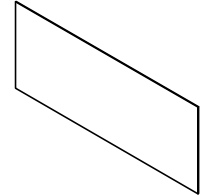
WoodBar-1pc

Y2



WoodBar-1pc

Z



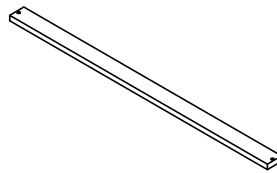
Panel-1pc

AA



WoodBar-1pc

AC



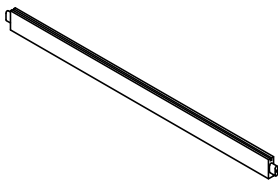
Slats-15pcs

AD



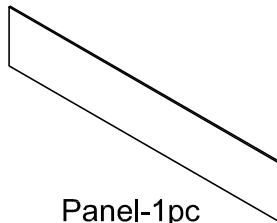
WoodBar-1pc

AE



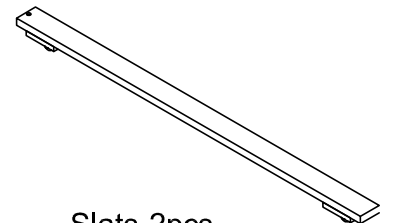
WoodBar-1pc

AH



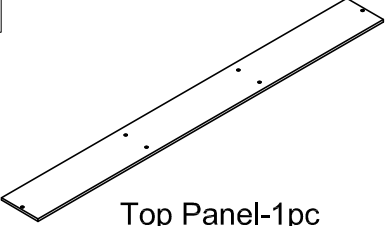





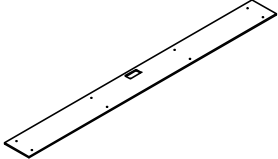
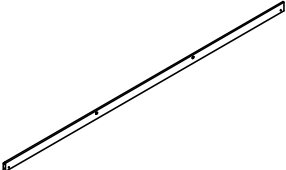
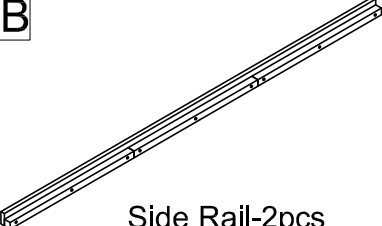


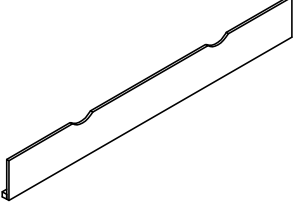

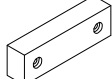
Panel-1pc

AK







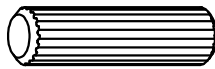


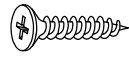



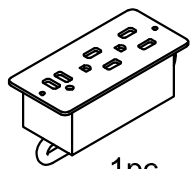
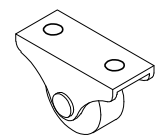
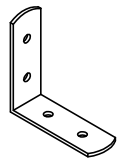
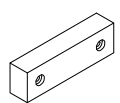



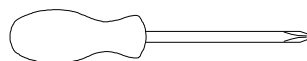
Slats-2pcs

Part List & Hardware

<p>A</p>  <p>Top Panel-1pc</p>	<p>B</p>  <p>WoodBar-1pc</p>	<p>D1</p>  <p>WoodBar-1pc</p>
<p>D2</p>  <p>WoodBar-1pc</p>	<p>D3</p>  <p>WoodBar-1pc</p>	<p>D4</p>  <p>WoodBar-1pc</p>
<p>L</p>  <p>Panel-1pc</p>	<p>N</p>  <p>WoodBar-2pcs</p>	<p>AB</p>  <p>Side Rail-2pcs</p>
<p>AF</p>  <p>WoodBar-1pc</p>	<p>AG</p>  <p>WoodBar-1pc</p>	<p>AI</p>  <p>Panel-1pc</p>
<p>AJ</p>  <p>WoodBar-1pc</p>	<p>N1</p>  <p>WoodBar-8pcs</p>	




Hardware List

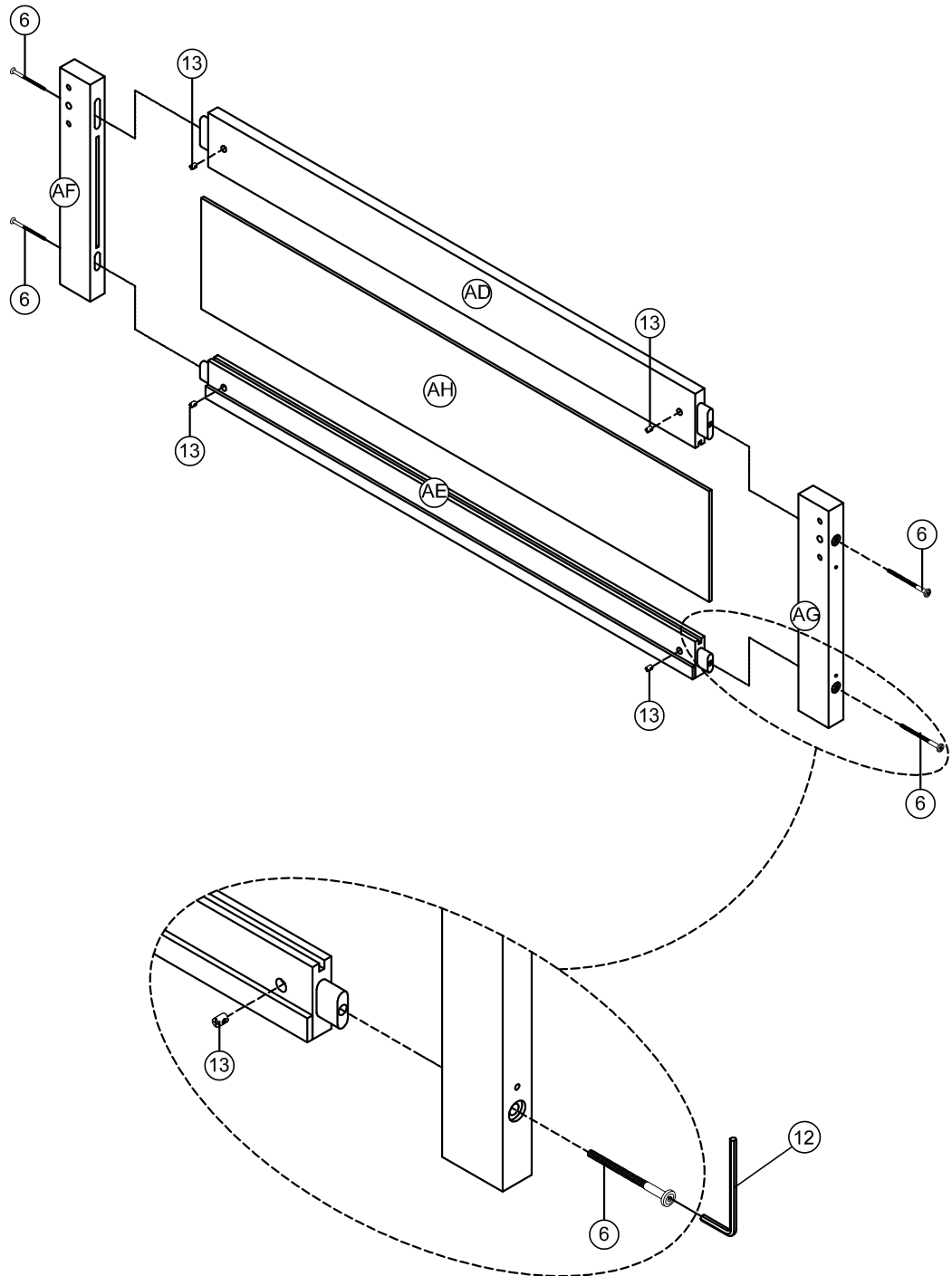
<p>1</p>  <p>Screws 1/4" x 30 4pcs</p>	<p>2</p>  <p>Screws 1/4" x 50 21pcs</p>	<p>3</p>  <p>Screws 1/4" x 80 7pcs</p>
<p>4</p>  <p>Ø1/4" x 60 mm Hex-Head bolst 8pcs</p>	<p>5</p>  <p>Ø1/4" x 70 mm Hex-Head bolst 18pcs</p>	<p>6</p>  <p>Ø1/4" x 100 mm Hex-Head bolst 10pcs</p>
<p>7</p>  <p>Ø10 x 40 Wooden dowel 24pcs</p>	<p>8</p>  <p>M3 x 12 Wood Screws 2pcs</p>	<p>9</p>  <p>M3 x 15 Wood Screws 20pcs</p>
<p>10</p>  <p>M4 x 15 Wood Screws 20pcs</p>	<p>11</p>  <p>M4 x 30 Wood Screws 60pcs</p>	<p>12</p>  <p>Allen Key 1pc</p>
<p>13</p>  <p>Ø1/4" x 13 mm Horizontal-Hole bolts 40pcs</p>	<p>14</p>  <p>1pc</p>	<p>15</p>  <p>Wheel 4pcs</p>
<p>16</p>  <p>Steel Bracket 3pcs</p>	<p>17</p>  <p>WoodBar-2pcs</p>	<p>18</p>  <p>Ø1/4" x 50 mm Hex-Head bolst 6pcs</p>







Assembly Tools Required (Not Included)

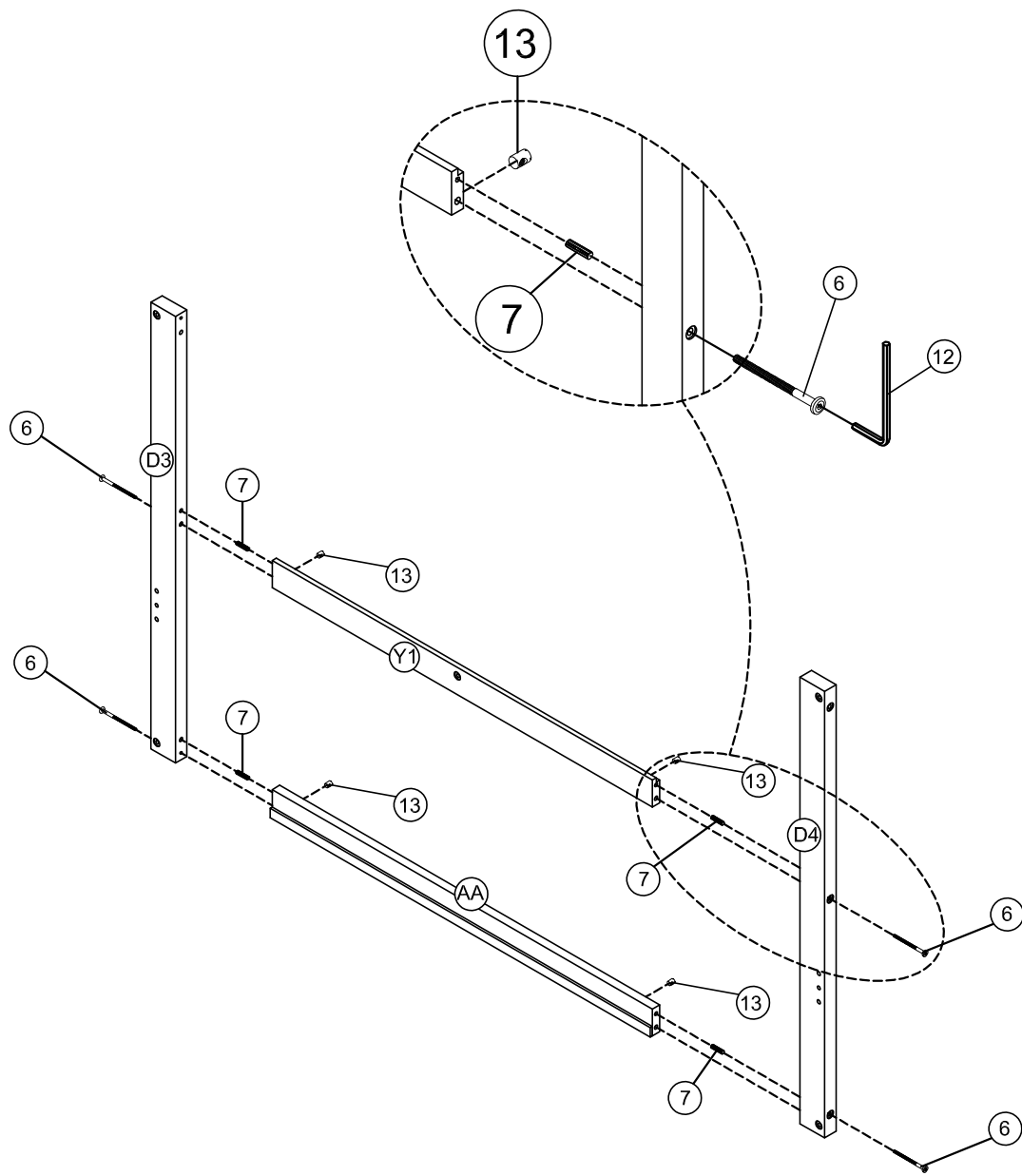
STEP1: Following below illustration.

13	12	6
		
4pcs	1pc	4pcs







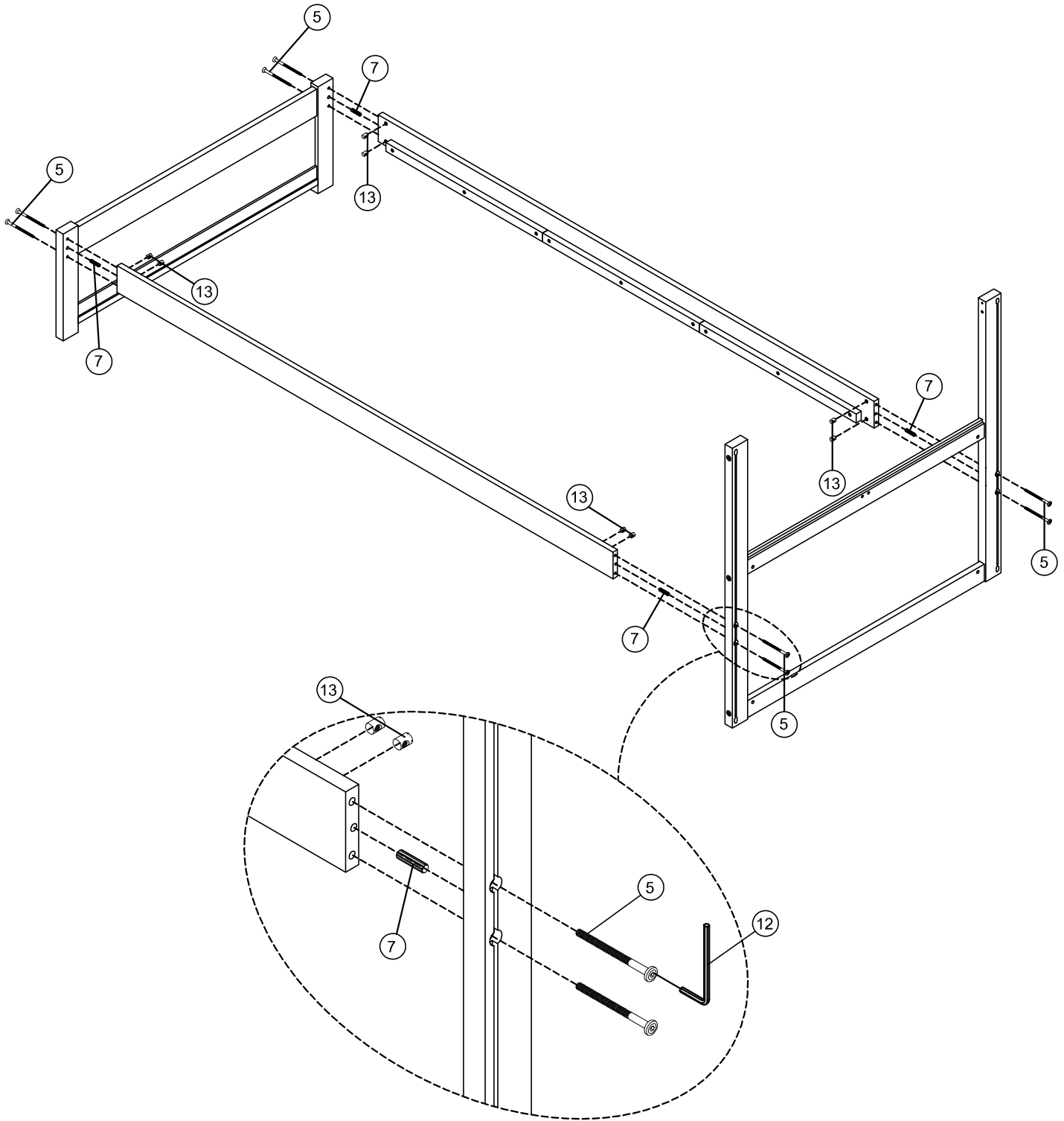
STEP2: Following below illustration.

13	12	7	6
			
4pcs	1pc	4pcs	4pcs


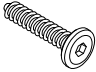


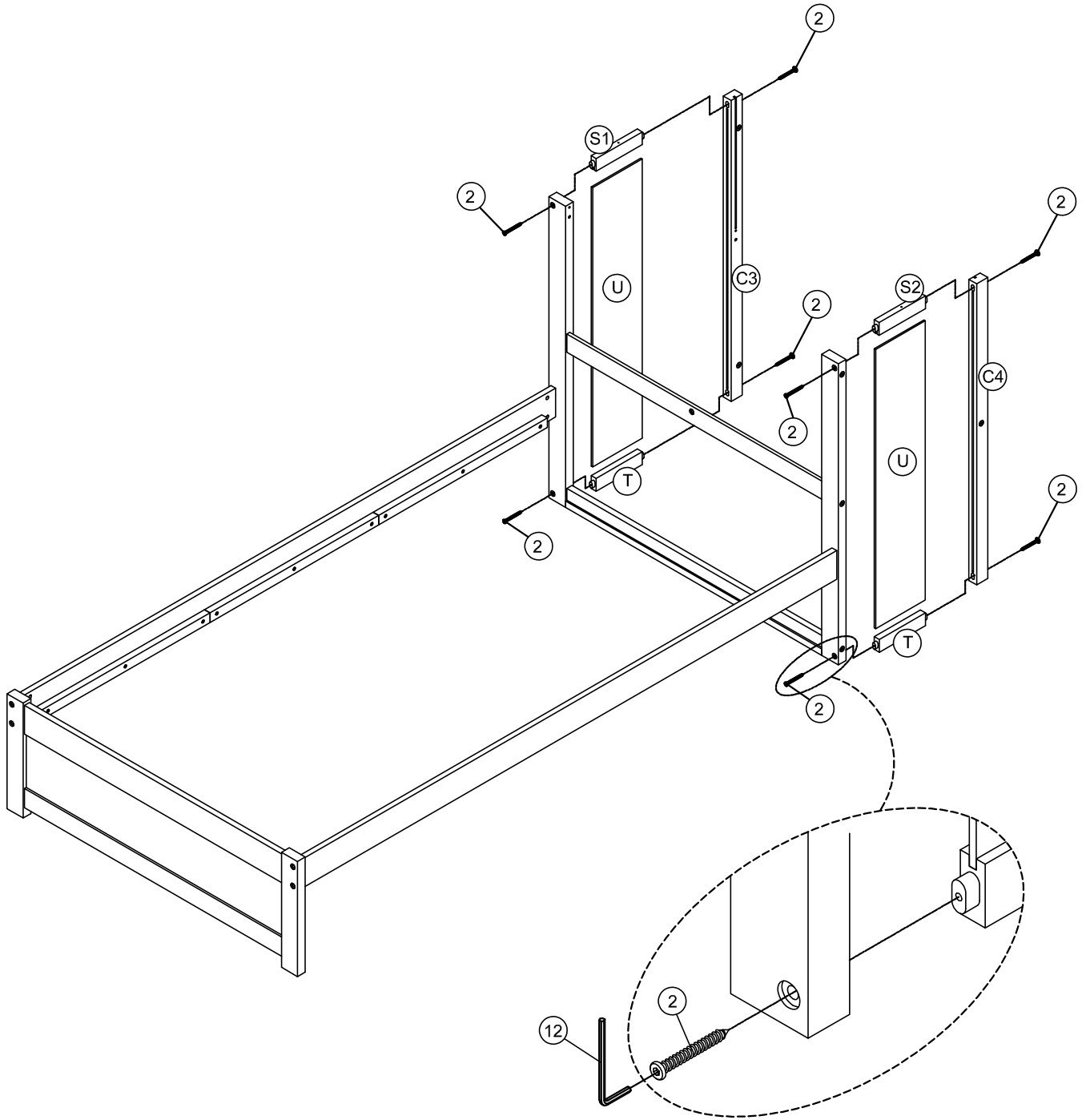
STEP3: Following below illustration.

13 	12 	7 	5 
8pcs	1pc	4pcs	8pcs



STEP4: Following below illustration.

12	2
	
1pc	8pcs

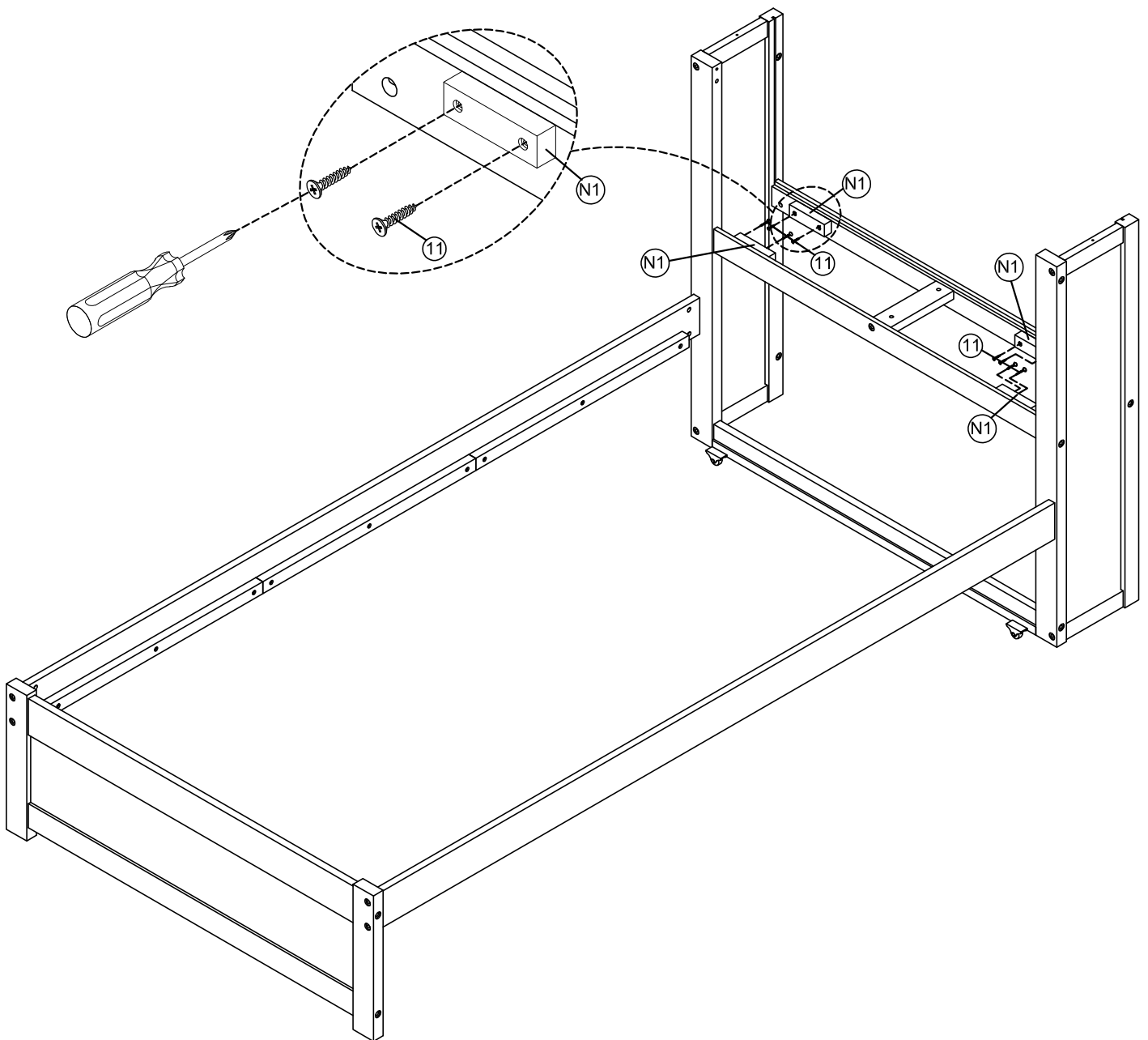


STEP6: Following below illustration.

11

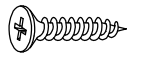


8pc

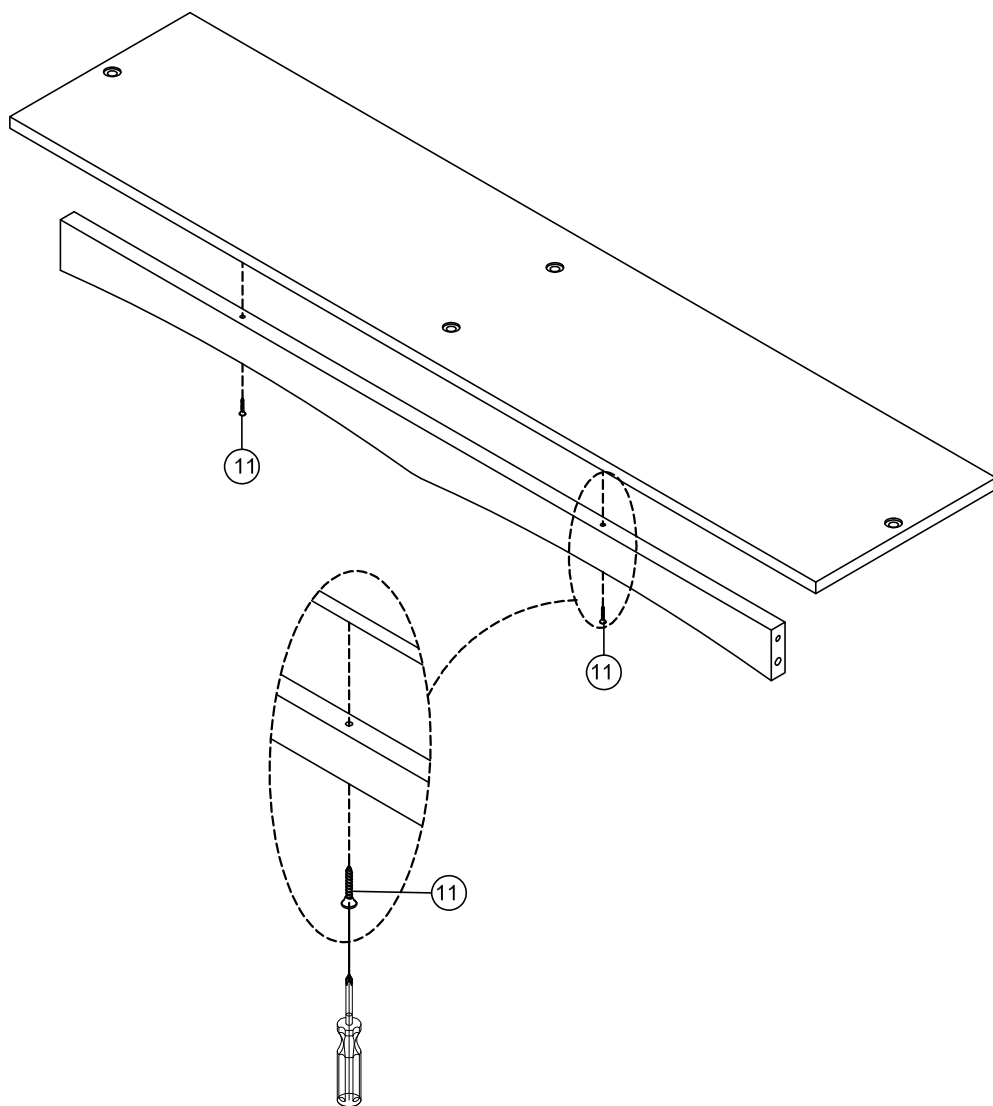


STEP7: Following below illustration.


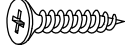


11

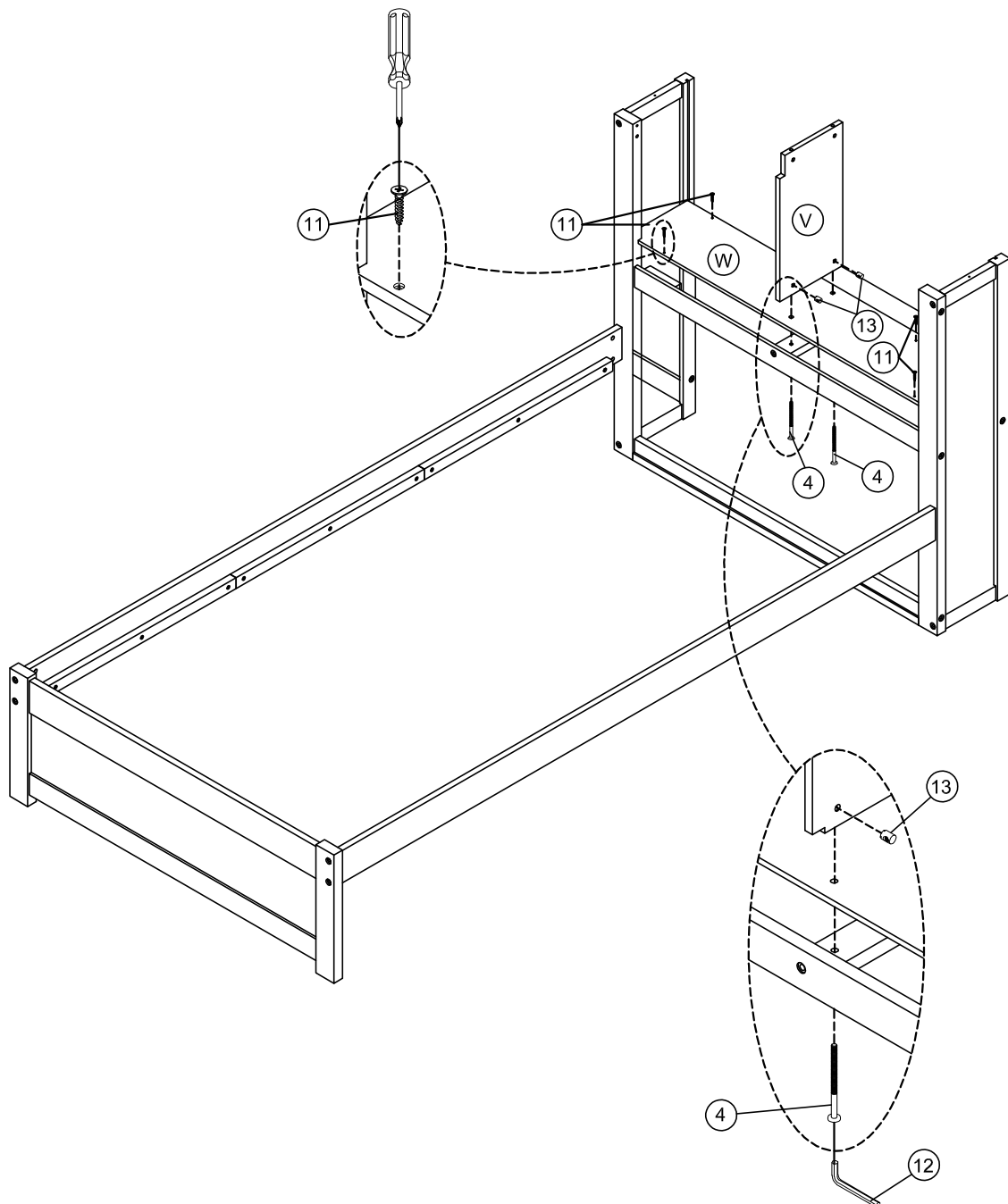


M4 x 30
2pcs




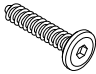




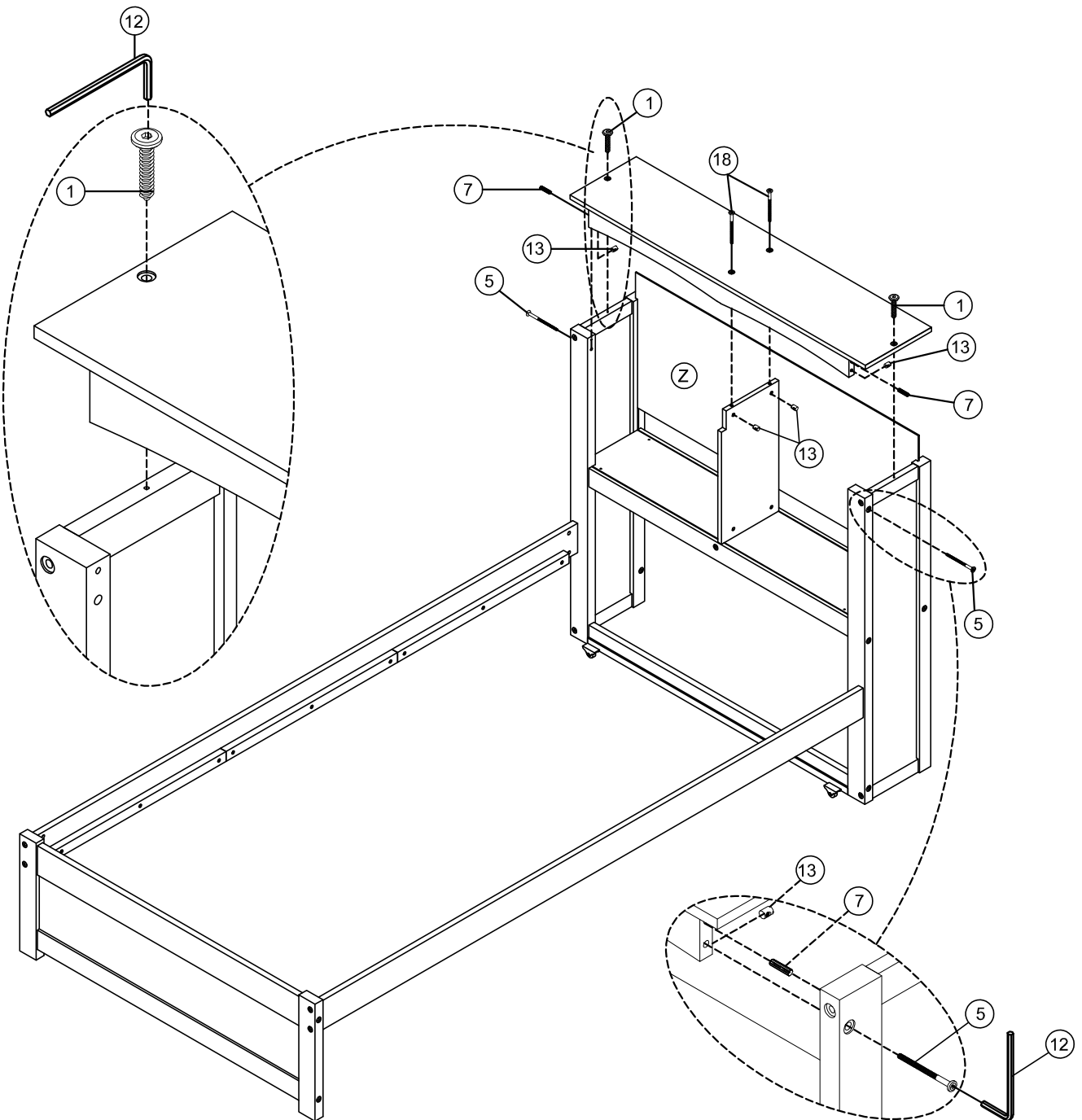
STEP8: Following below illustration.

12	11	4
		
1pc	4pcs	2pcs
		13
		
		2pcs

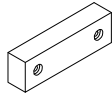

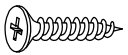


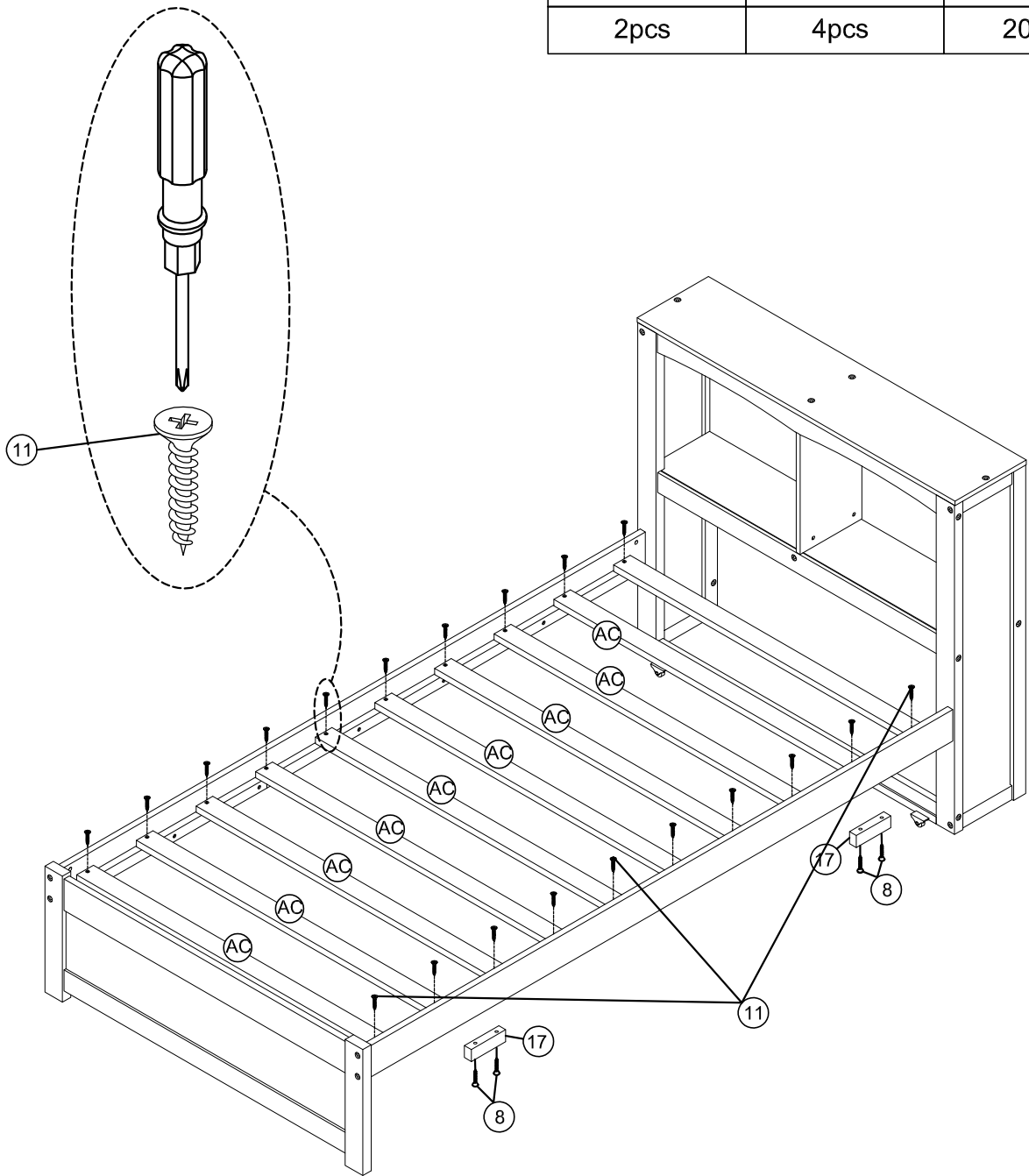
STEP9: Following below illustration.

<p>7</p> 	<p>5</p> 	<p>18</p> 	<p>1</p> 
<p>2pcs</p>	<p>2pcs</p>	<p>2pcs</p>	<p>2pcs</p>
		<p>13</p> 	<p>12</p> 
		<p>4pcs</p>	<p>1pc</p>


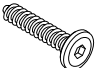


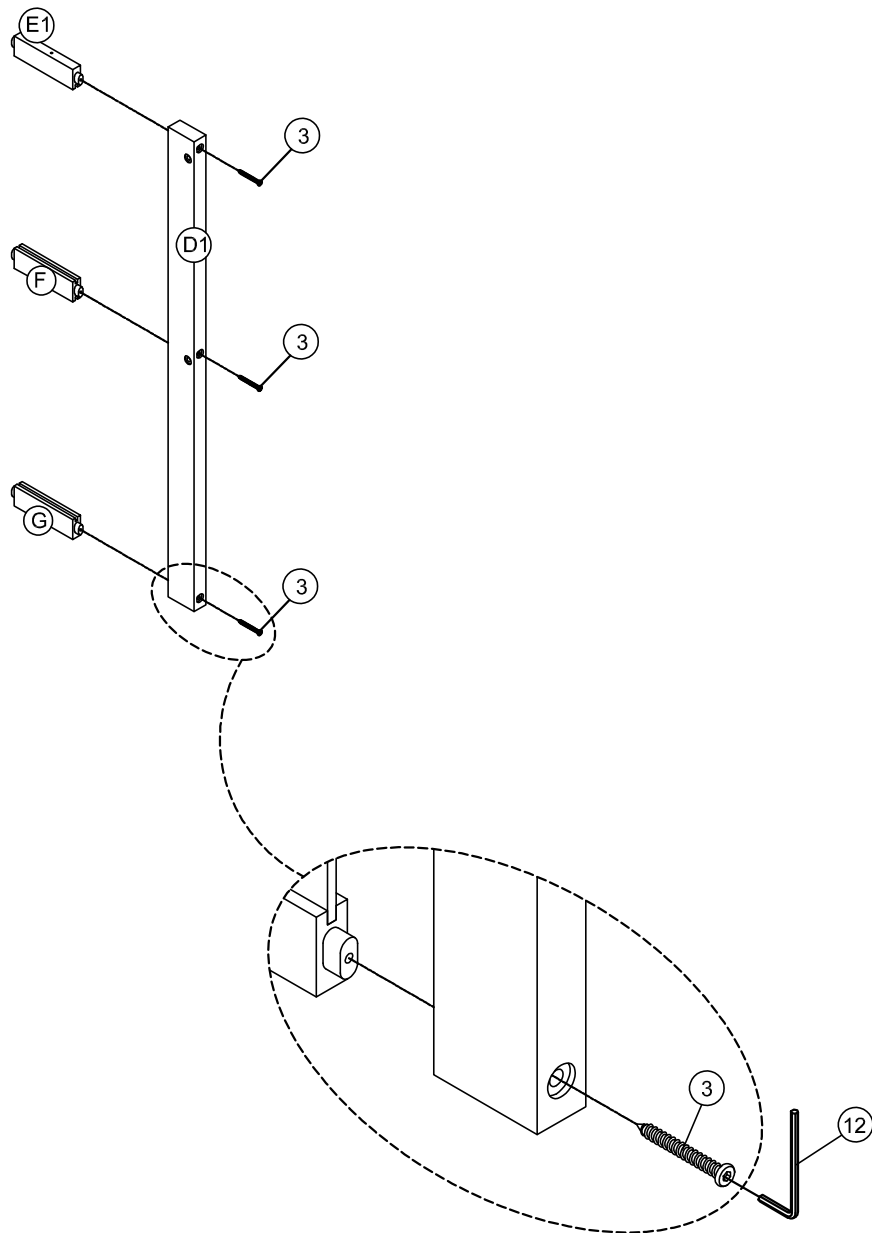
STEP 10: Following below illustration.

17	8	11
		
2pcs	4pcs	20pcs



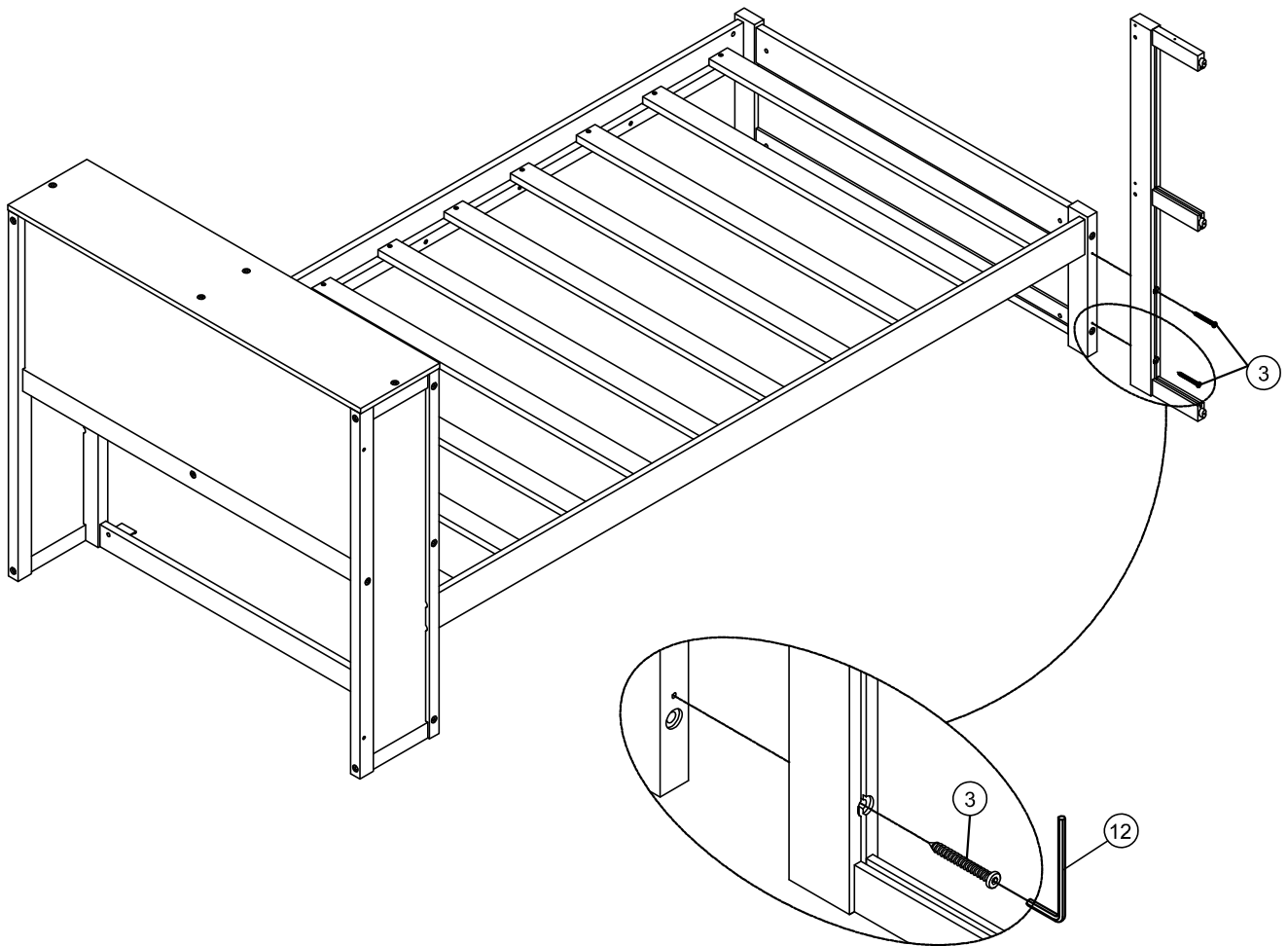
STEP11: Following below illustration.

12 	3 
1pc	3pcs


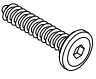


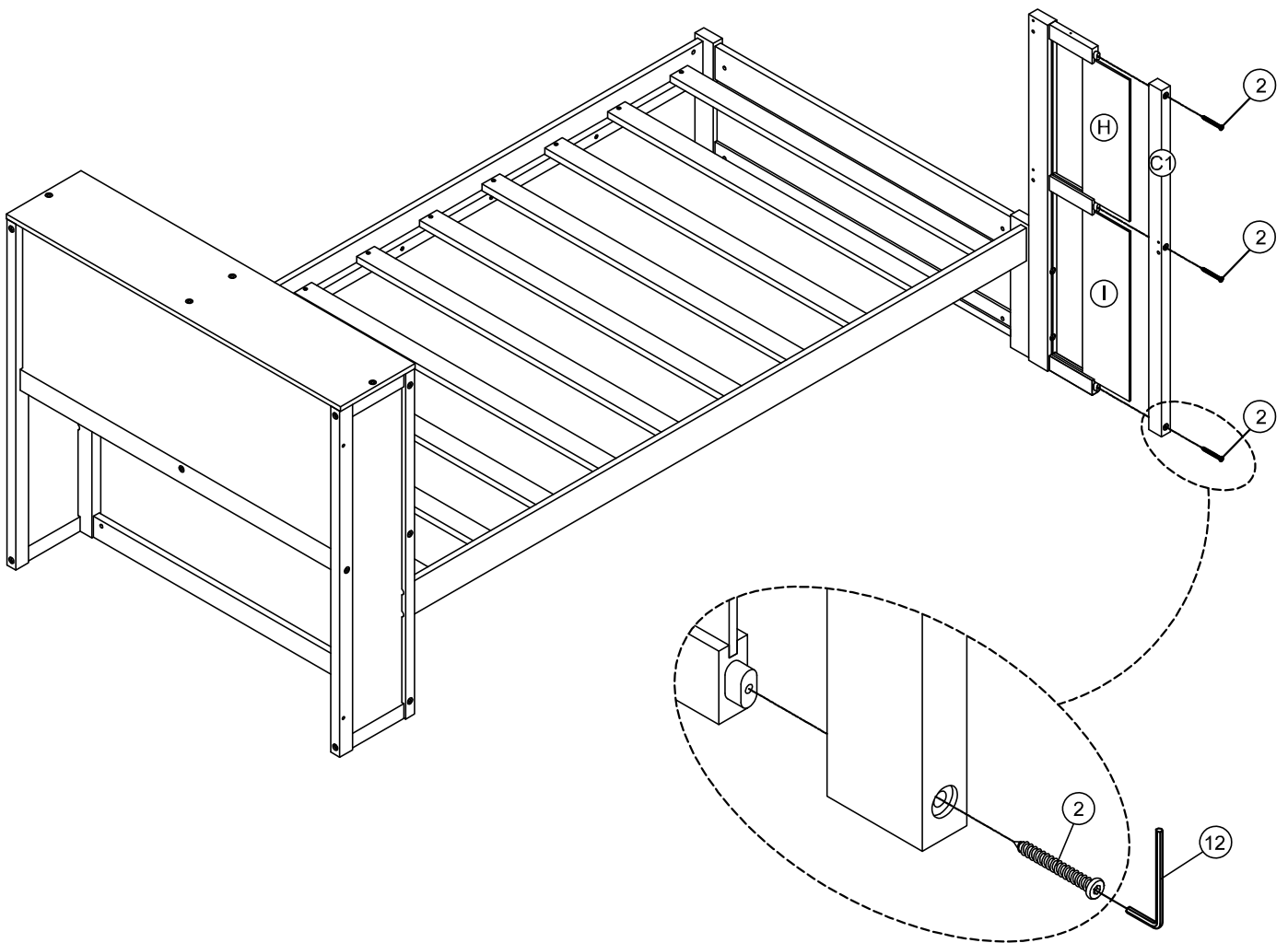
STEP 12: Following below illustration.

12	3
1pc	2pcs


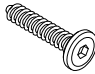



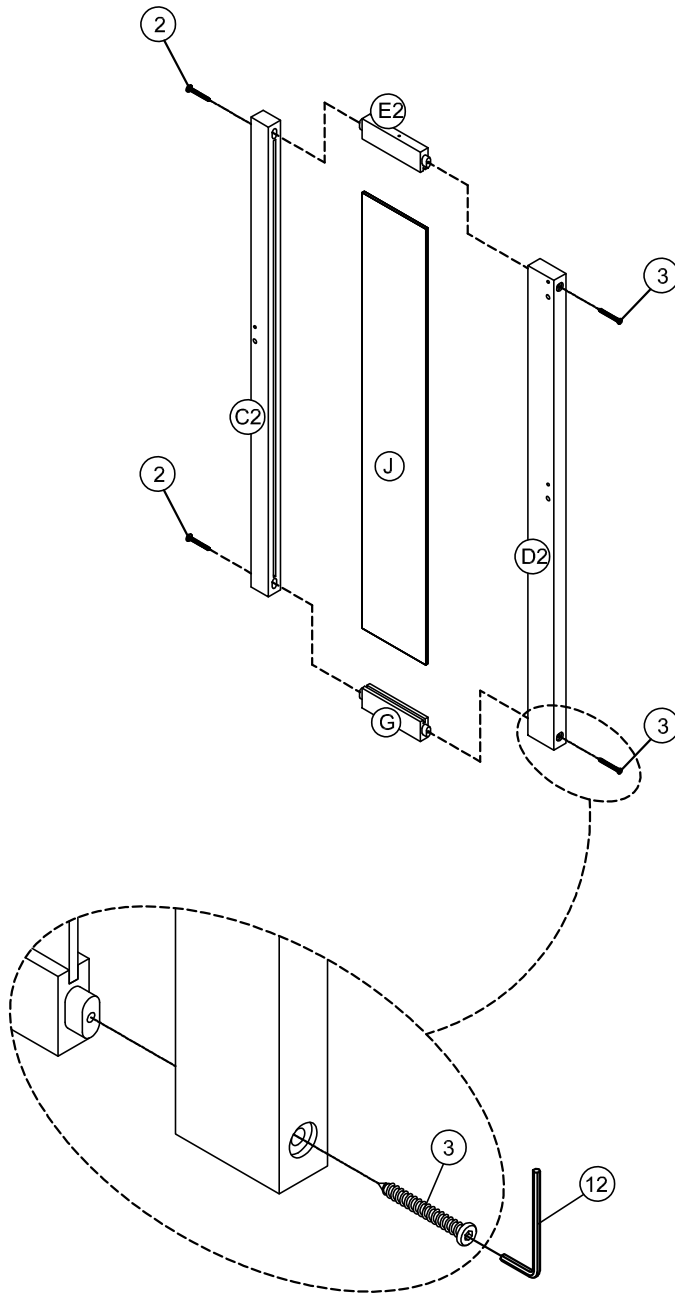
STEP 13: Following below illustration.

12	2
	
1pc	3pcs


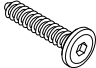


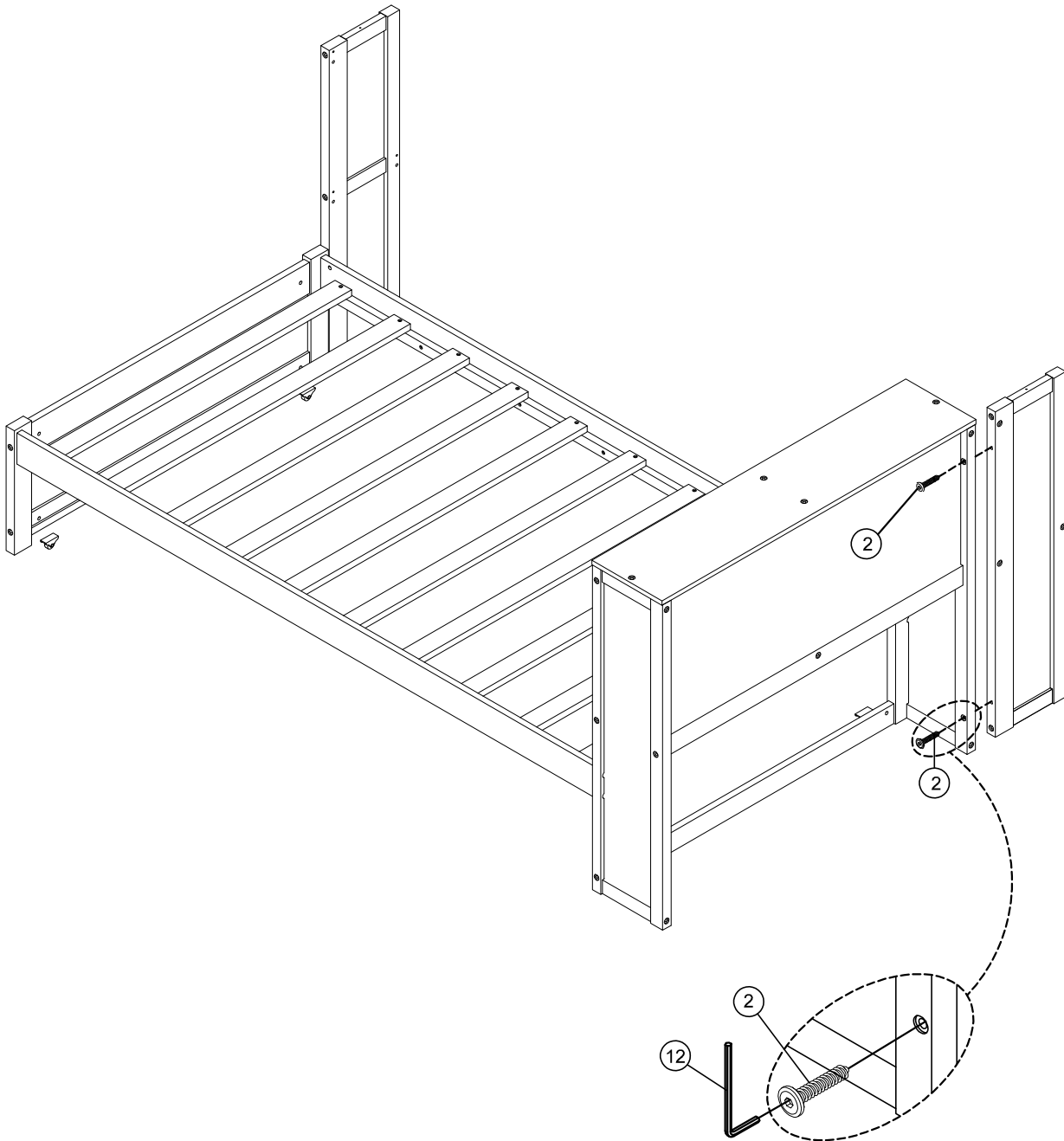
STEP14: Following below illustration.

12	3	2
		
1pc	2pcs	2pcs







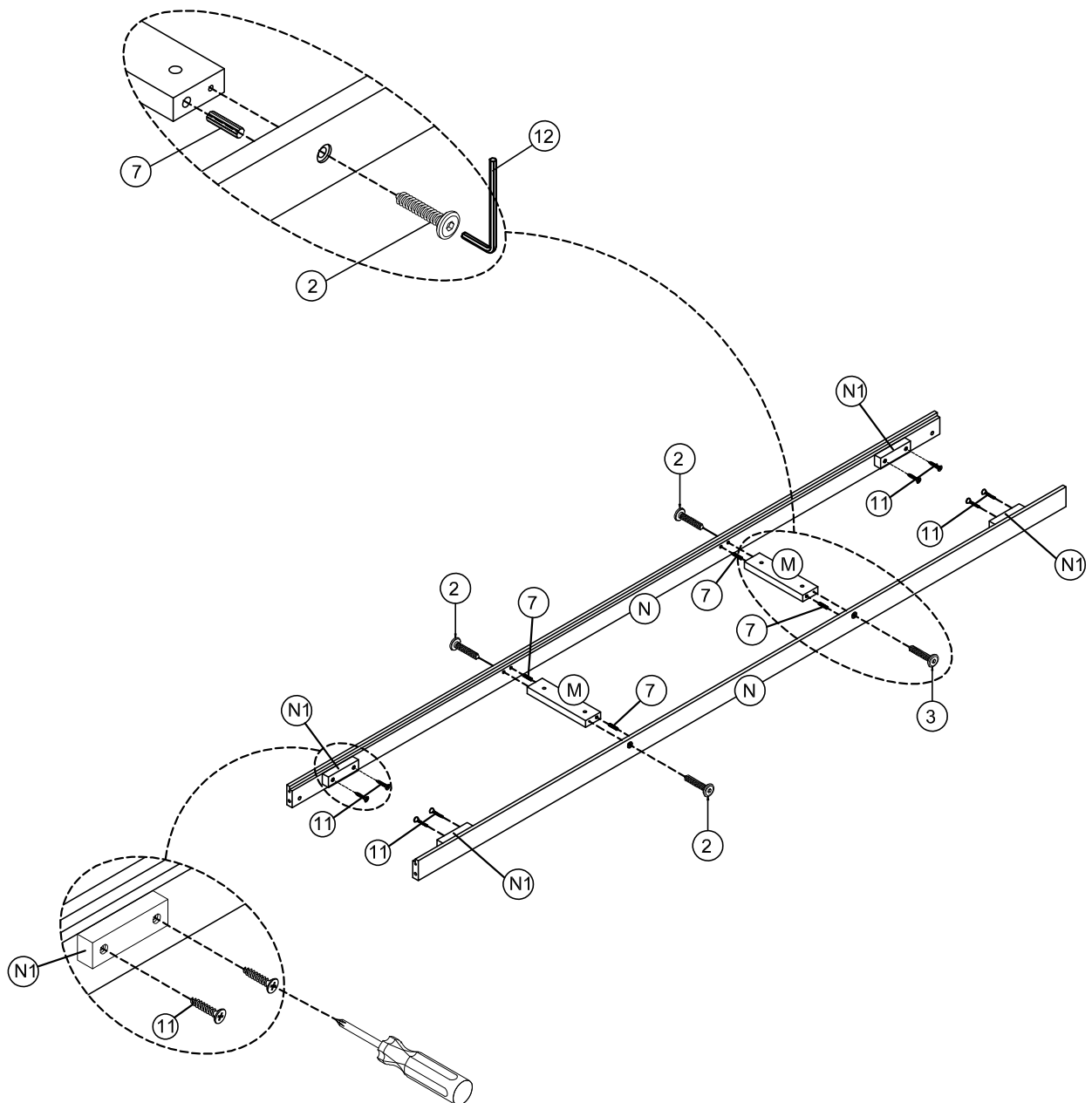
STEP 15: Following below illustration.

12	2
	
1pc	2pcs







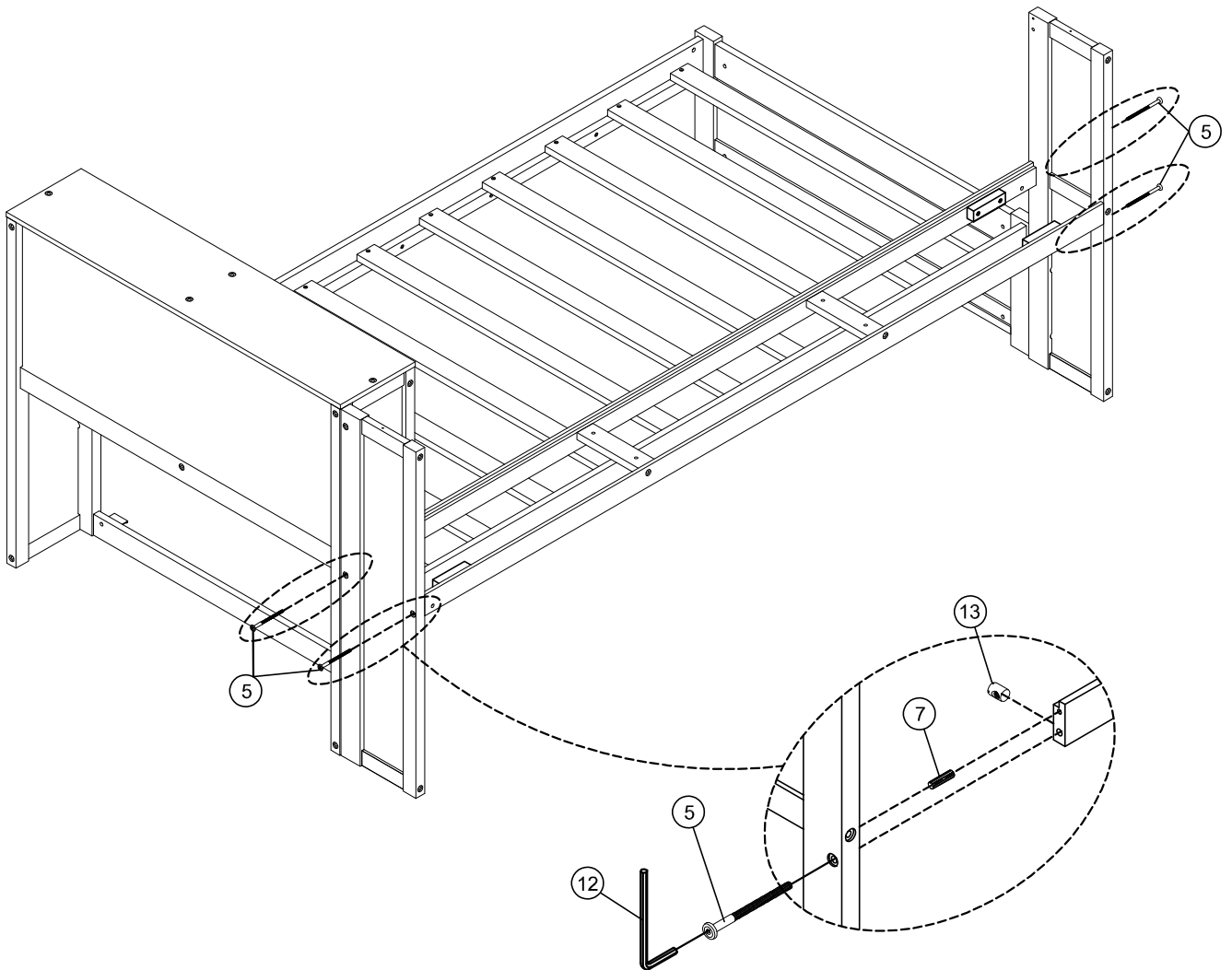
STEP16: Following below illustration.

<p>11</p> 	<p>7</p> 	<p>2</p> 
<p>8pcs</p>	<p>4pcs</p>	<p>4pcs</p>
<p>12</p> 		
<p>1pc</p>		



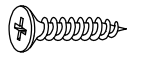
STEP17: Following below illustration.

12		7		5	
1pc		4pcs		4pcs	
					13
					
					4pcs

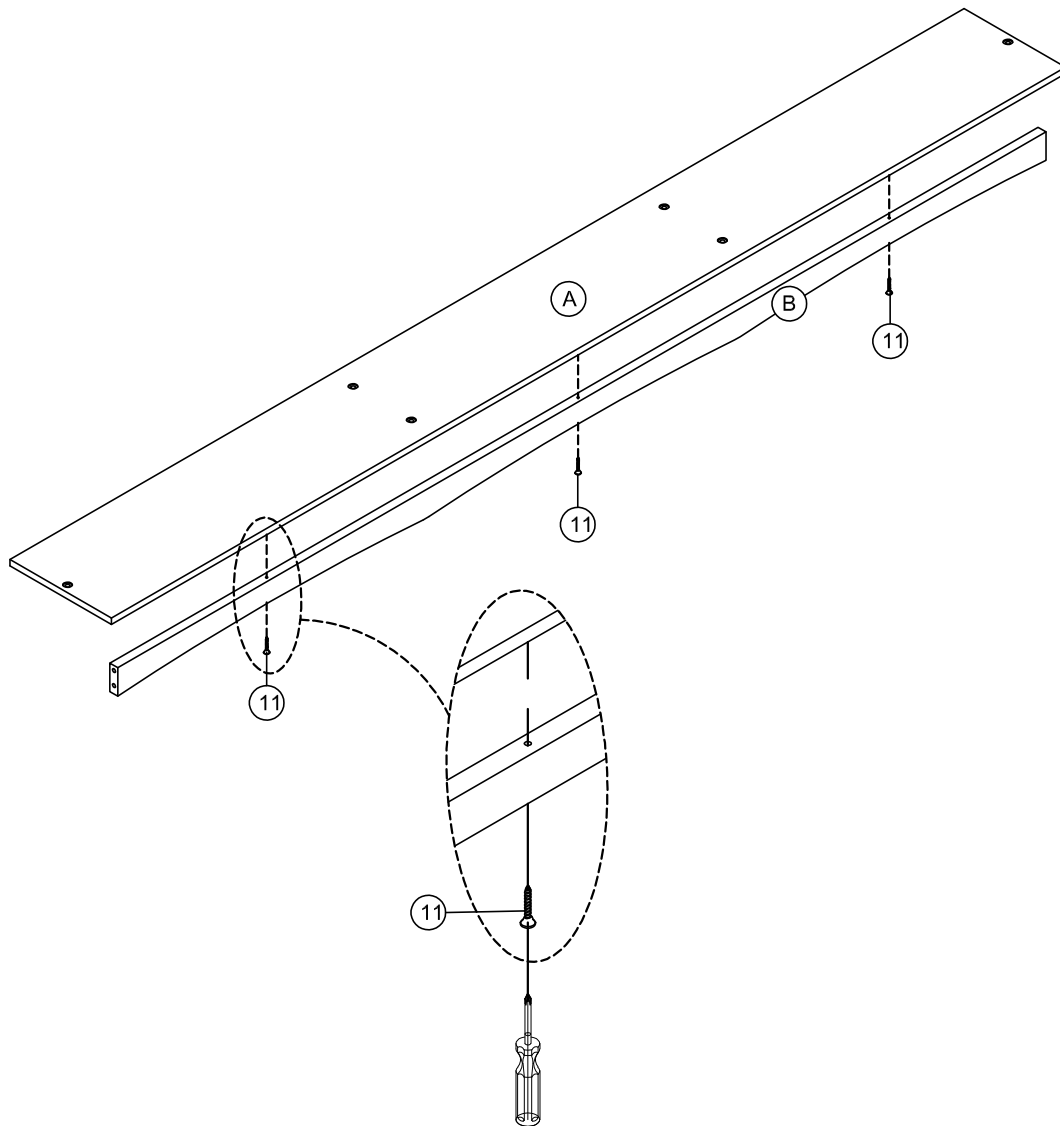


STEP18: Following below illustration.




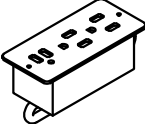


11

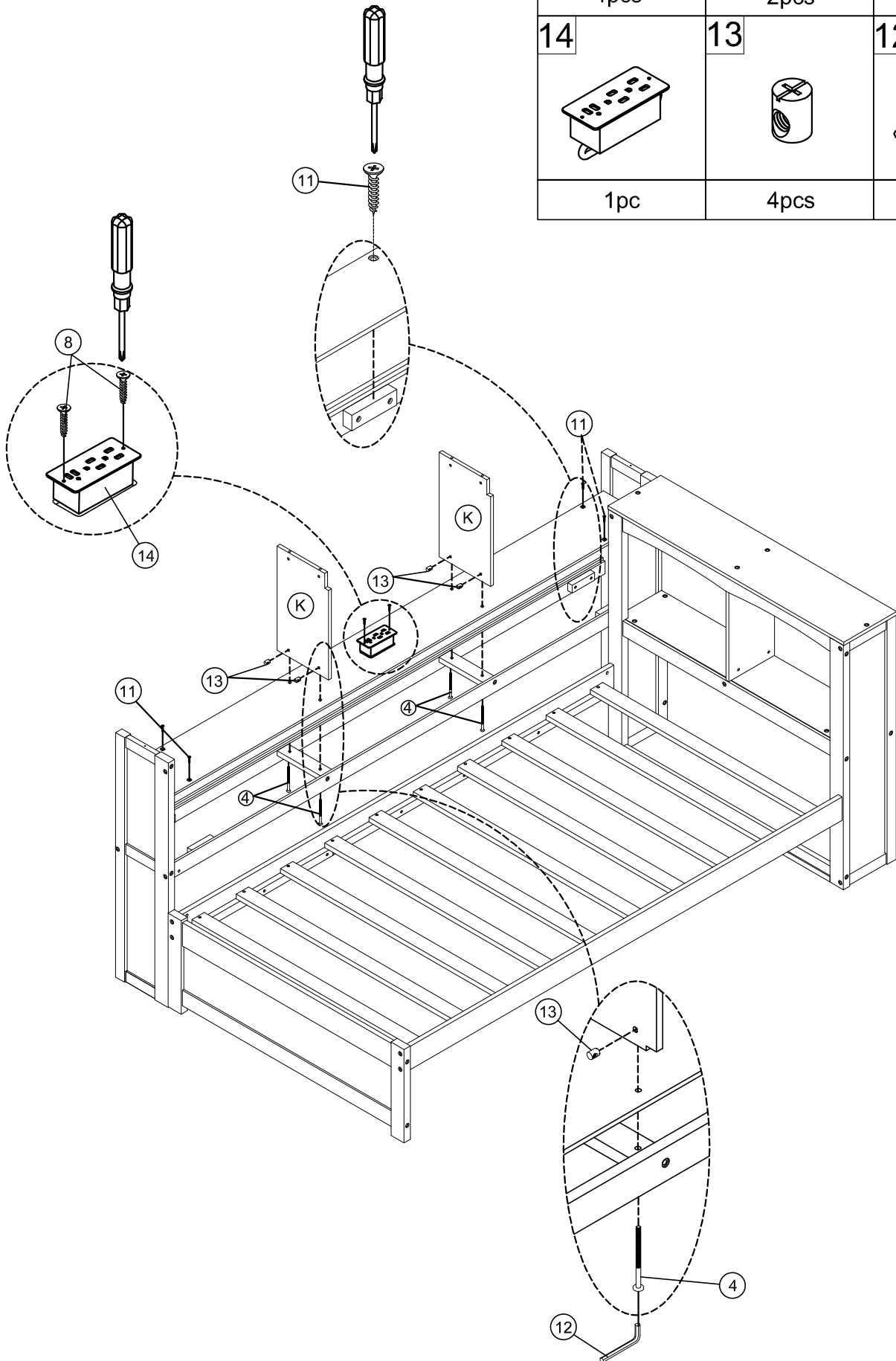


M4 x 30
3pcs









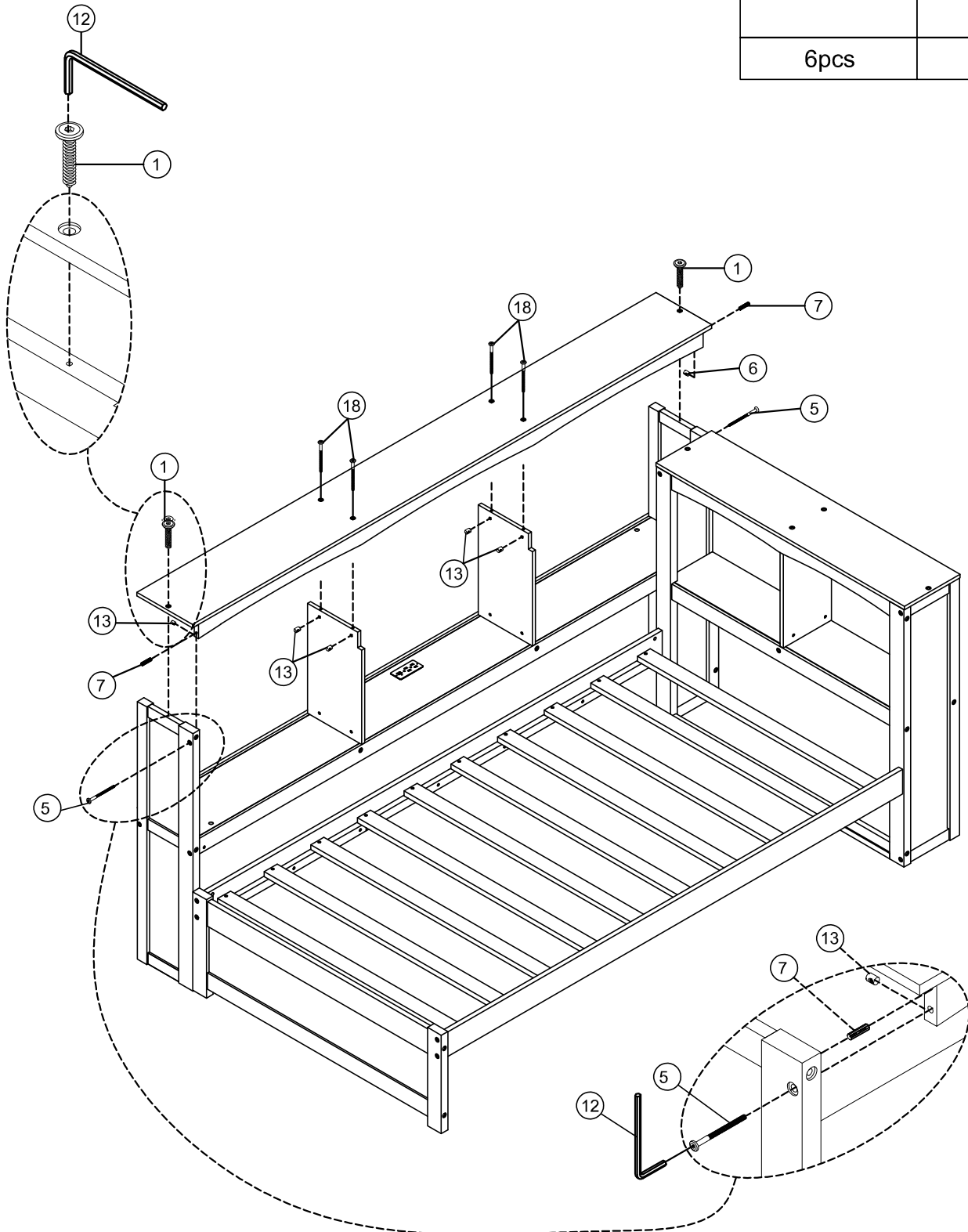
STEP19: Following below illustration.

<p>11</p> 	<p>8</p> 	<p>4</p> 
<p>4pcs</p>	<p>2pcs</p>	<p>4pcs</p>
<p>14</p> 	<p>13</p> 	<p>12</p> 
<p>1pc</p>	<p>4pcs</p>	<p>1pc</p>



STEP20: Following below illustration.

<p>7</p> 	<p>5</p> 	<p>18</p> 	<p>1</p> 
<p>2pcs</p>	<p>2pcs</p>	<p>4pcs</p>	<p>2pcs</p>
		<p>13</p> 	<p>12</p> 
		<p>6pcs</p>	<p>1pc</p>

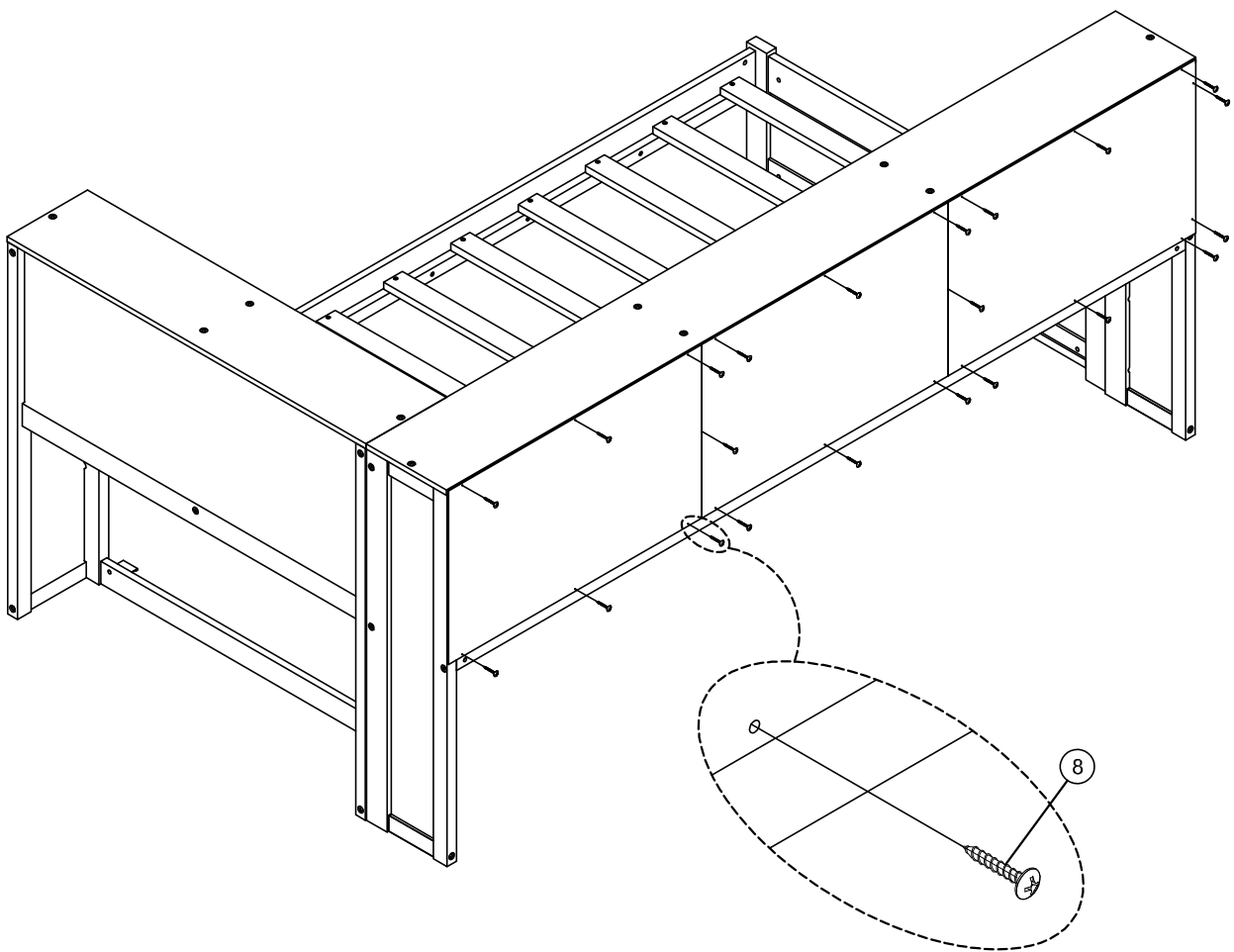


STEP21: Following below illustration.

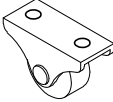
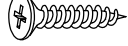
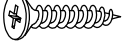
9

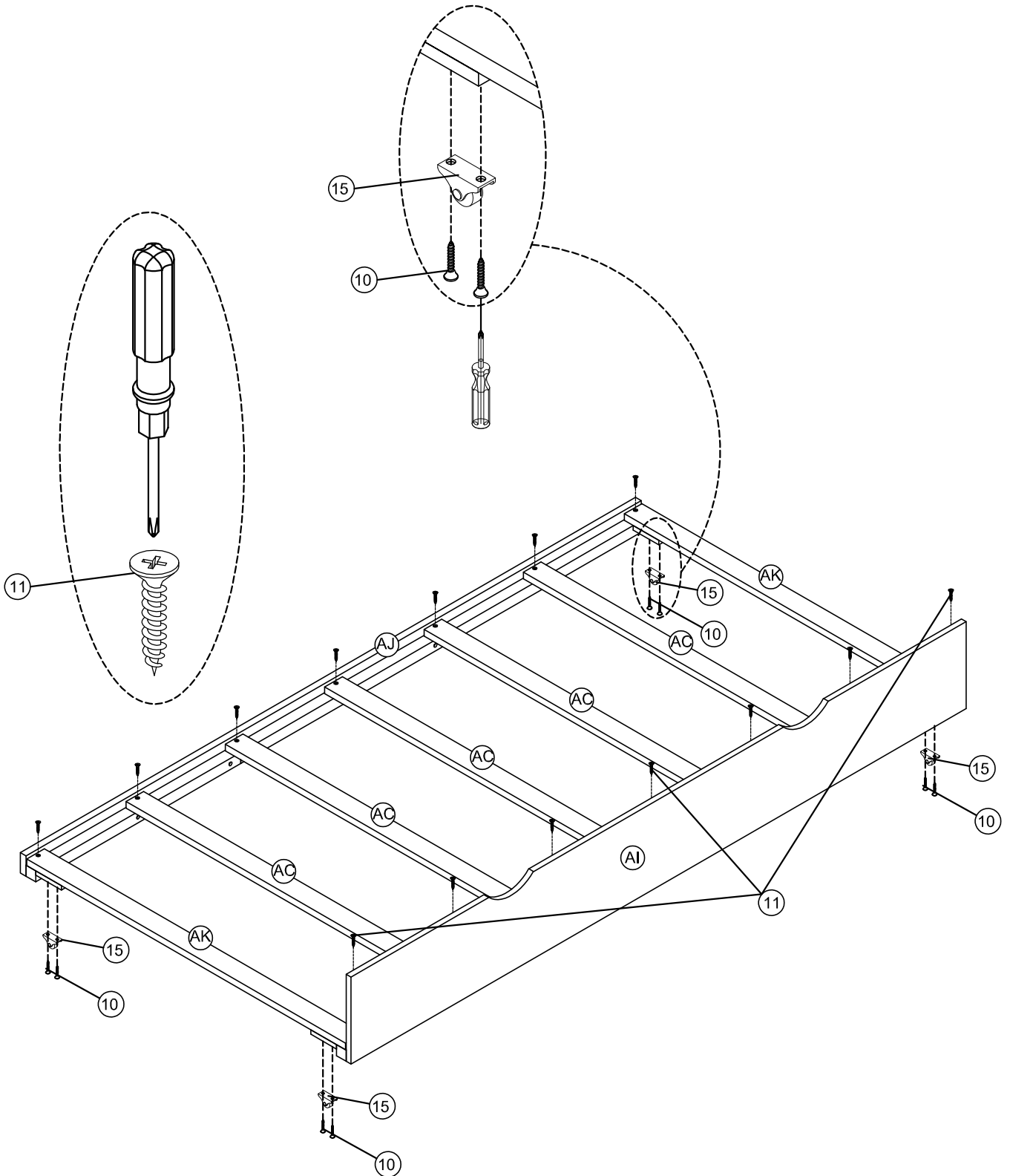


M3 x 15
20pcs



STEP22: Following below illustration.

15	11	10
		
4pcs	14pcs	8pcs



STEP23: Following below illustration.

16	10
3pcs	12pcs

