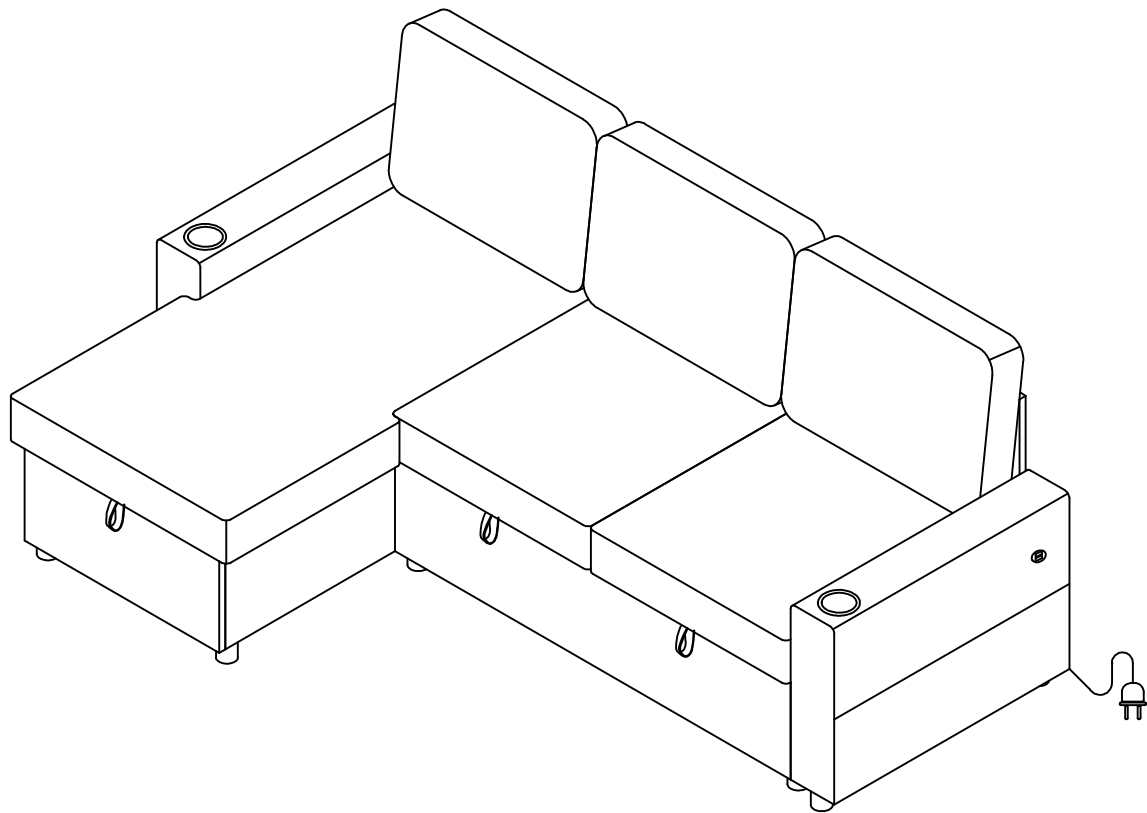


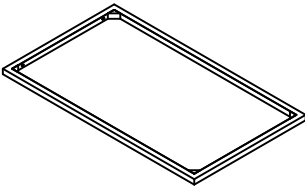
ASSEMBLY INSTRUCTION

IMPORTANT NOTE:

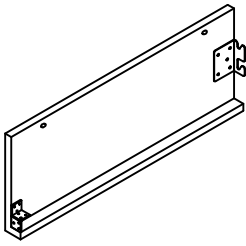
- ** PLACE ALL PARTS ON A CLEAN AND SMOOTH SURFACE SUCH AS A RUG OR CARPET TO AVOID THE PARTS FROM BEING SCRATCHED.
- ** BEFORE YOU BEGIN , KINDY FOLLOW THE ASSEMBLY INSTRUCTIONS STEP BY STEP.
- ** DO NOT TIGHTEN ALL SCREWS UNTIL THE SOFA IS FULLY SET-UP.



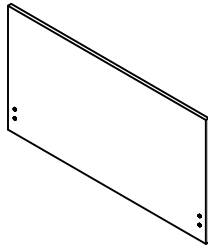
PARTS AND HARDWARE



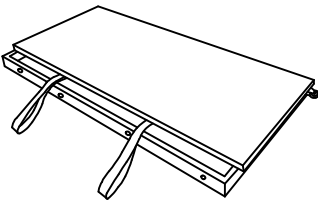
A : 1 PC



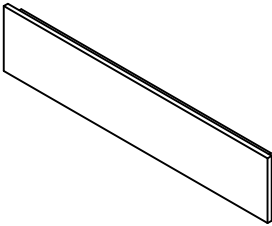
B : 2 PCS



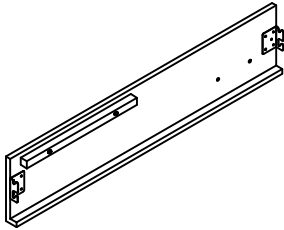
C : 1 PC



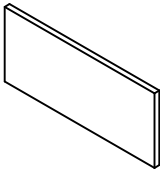
D : 1 PC



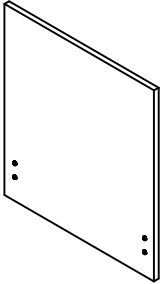
E : 1 PC



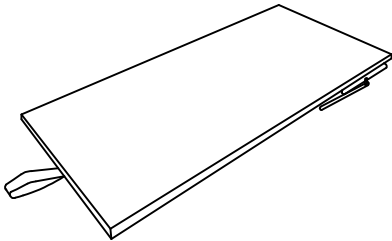
F : 2 PCS



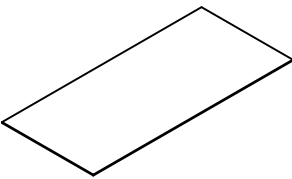
G : 1 PC



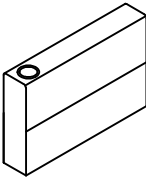
H : 1 PC



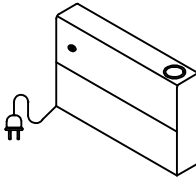
I : 1 PC



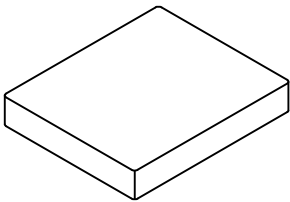
J : 1 PC



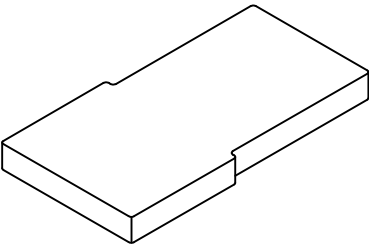
K-L : 1 PC



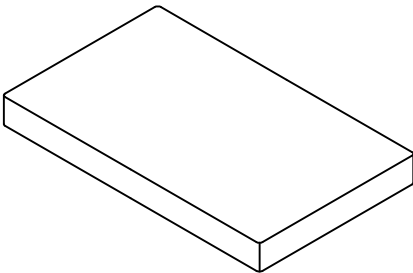
K-R : 1 PC



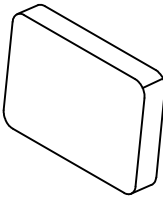
L : 2 PCS



M : 1 PC

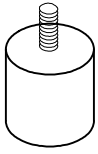


N : 1 PC



O : 3 PCS

PARTS AND HARDWARE



P : 12 PCS



Q : 1/4"*15mm
8 PCS



R : 1/4"*45mm
4 PCS



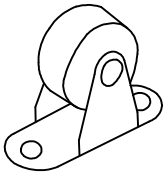
S : 1/4"*25mm
4 PCS



T : 1/4"*40mm
5 PCS



U : 1/4"*19mm
17 PCS



V : 4PCS

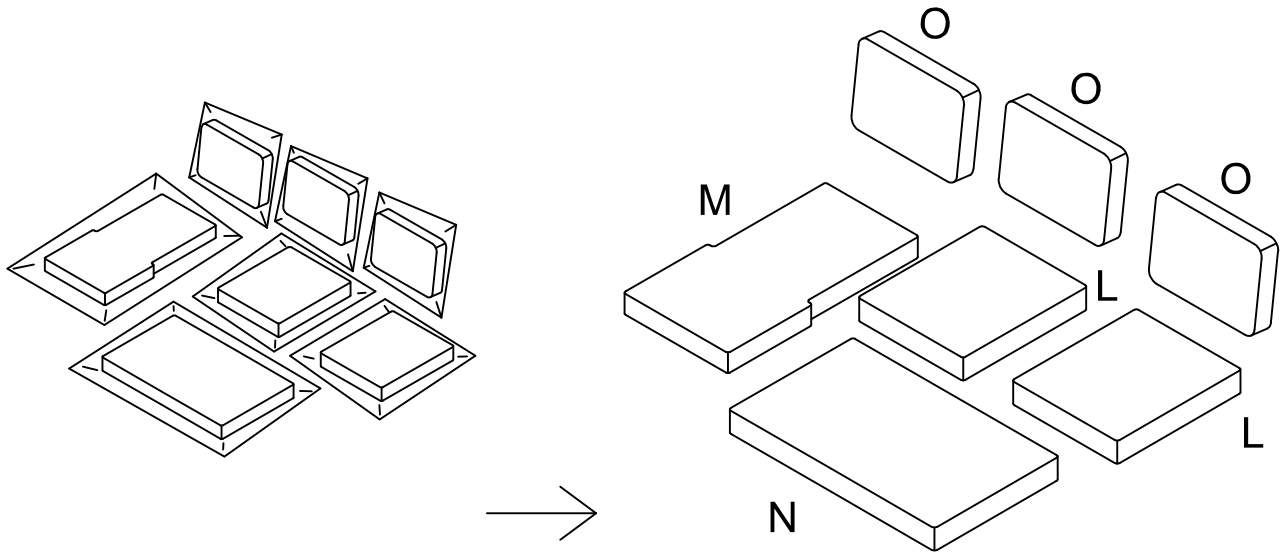


W : M4
1PC

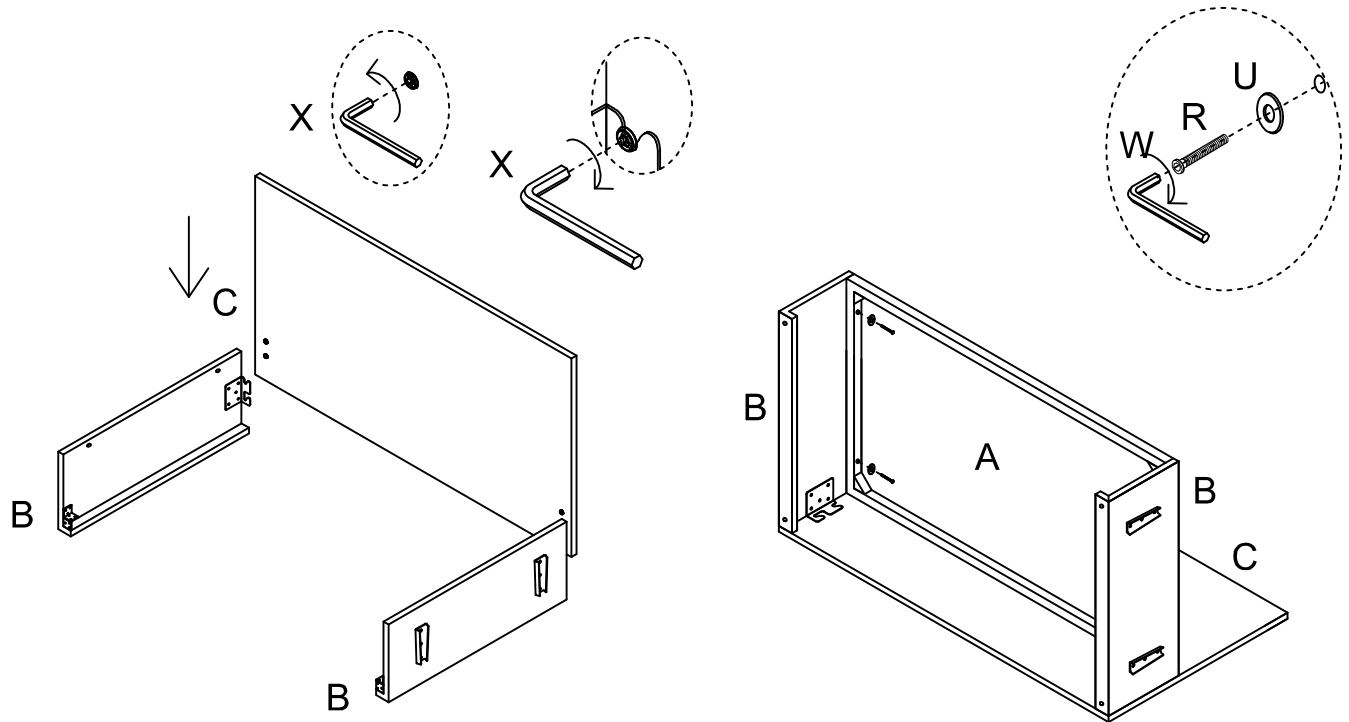


X : M5
1PC

ASSEMBLY INSTRUCTIONS



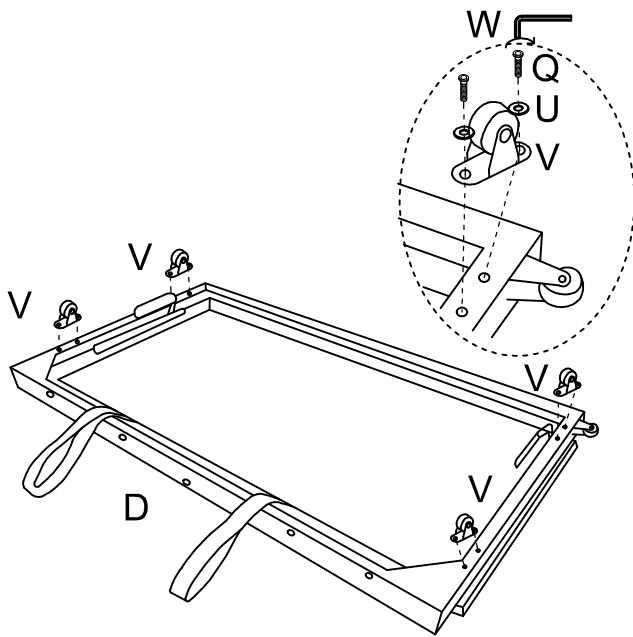
STEP1 :



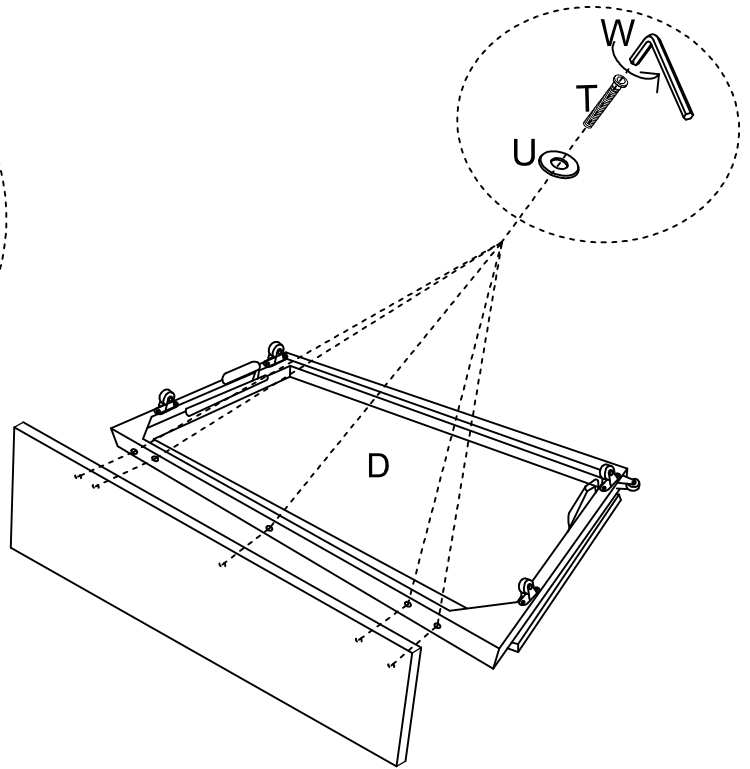
STEP2 :

STEP3 :

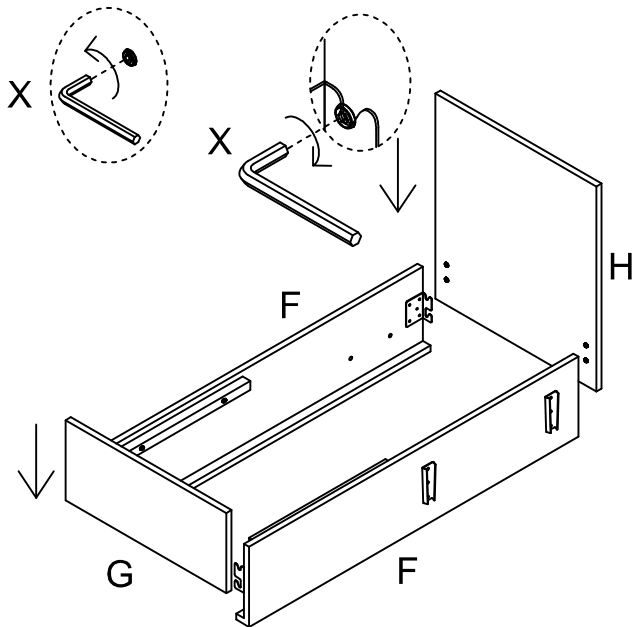
ASSEMBLY INSTRUCTIONS



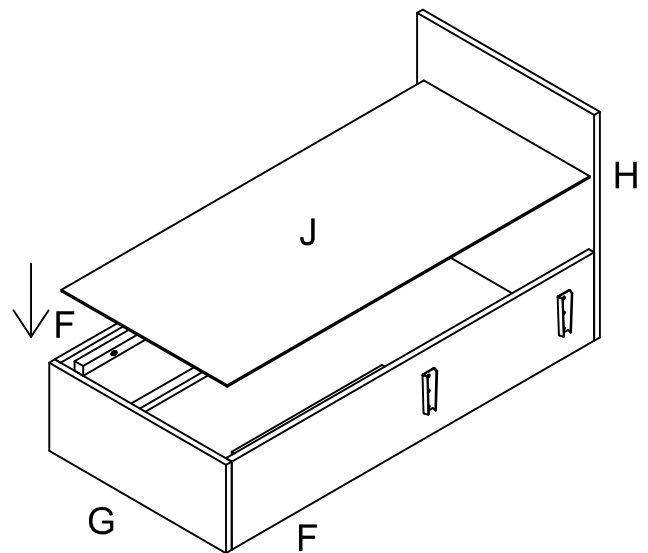
STEP4 :



STEP5 :

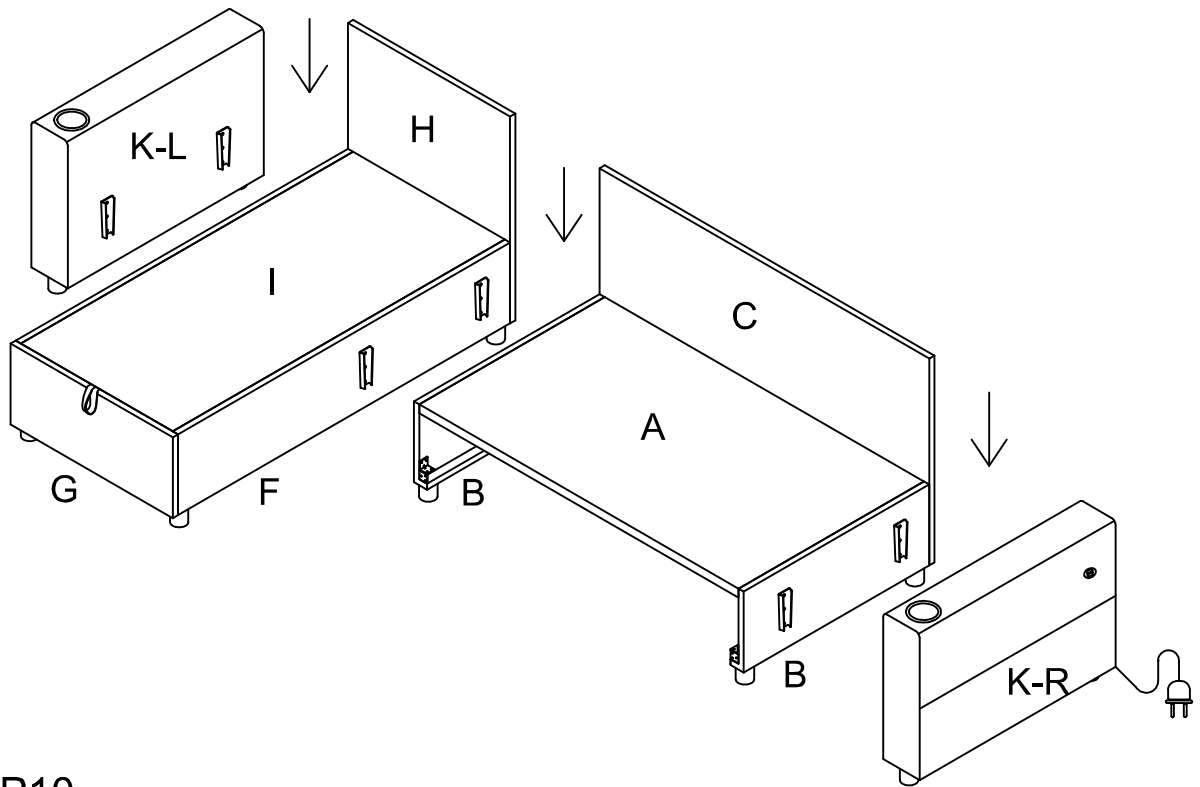


STEP6 :

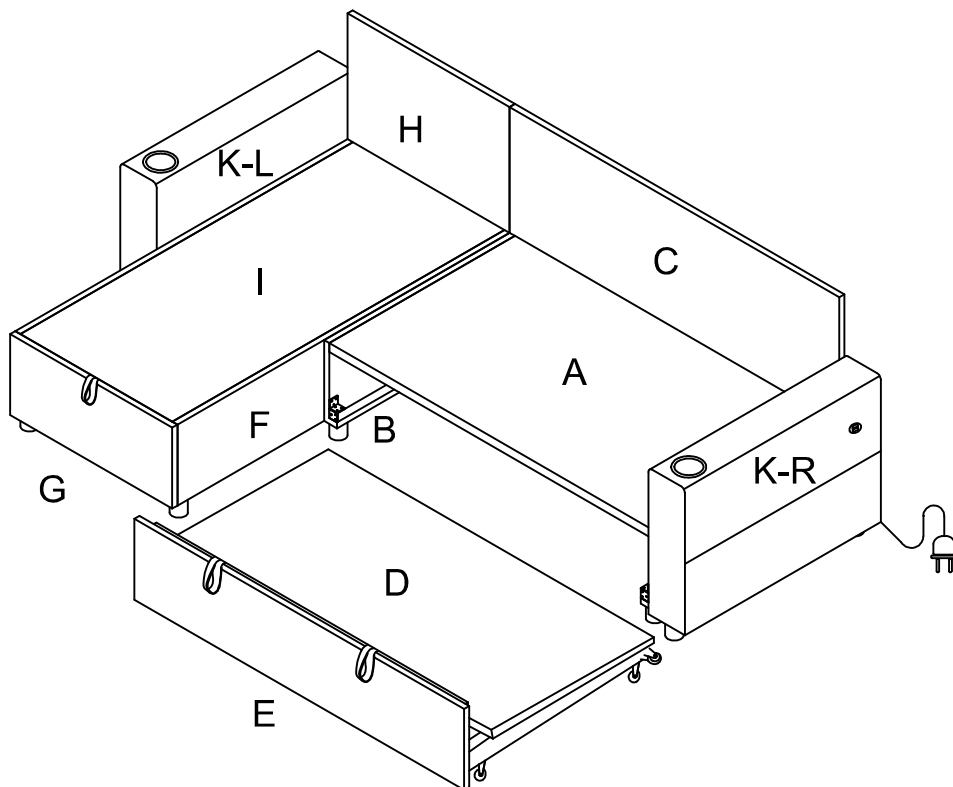


STEP7 :

ASSEMBLY INSTRUCTIONS

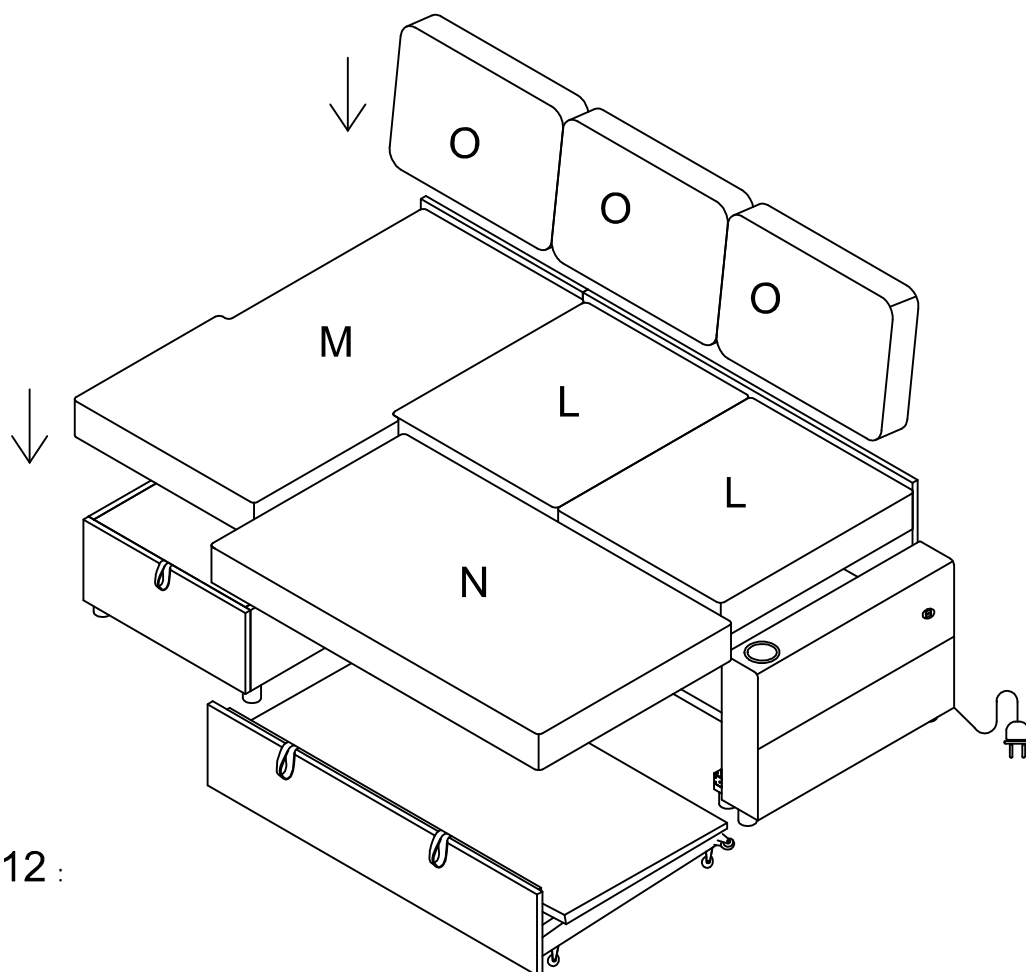


STEP10 :

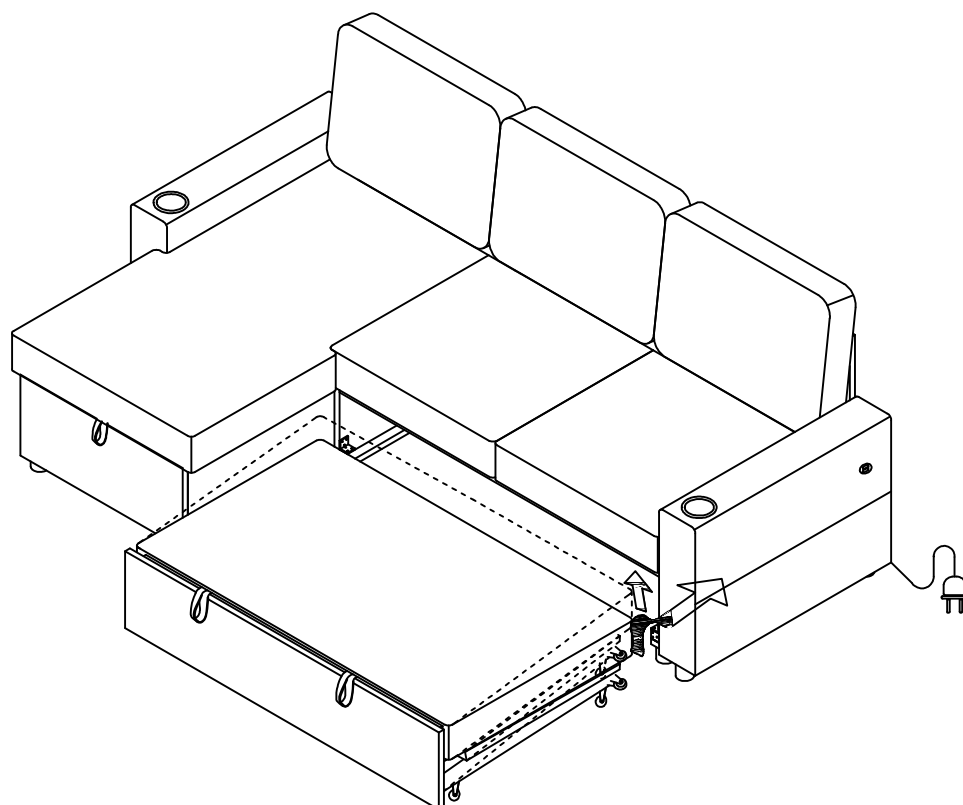


STEP11 :

ASSEMBLY INSTRUCTIONS

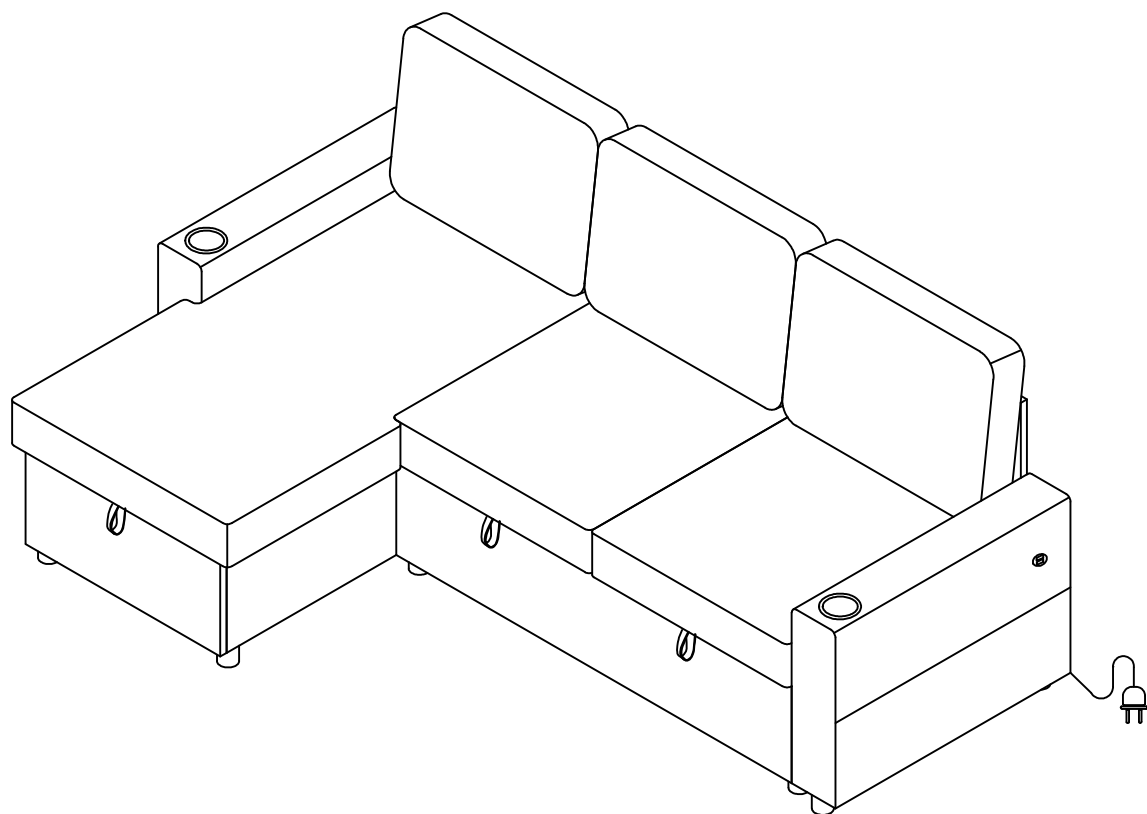


STEP12 :

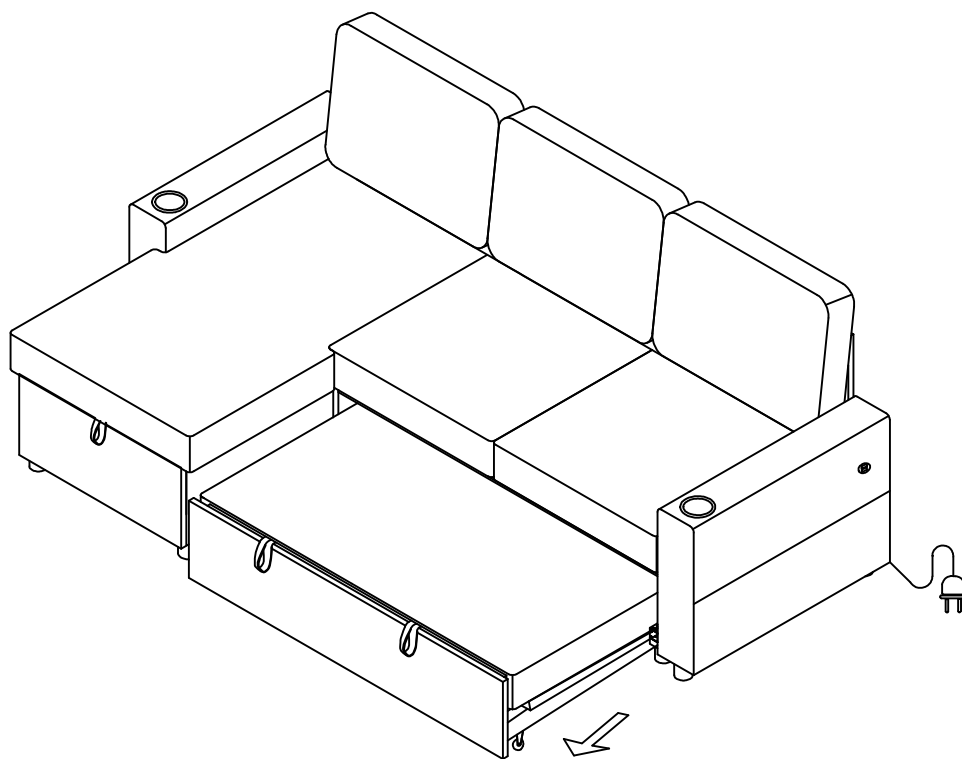


STEP13 :

ASSEMBLY INSTRUCTIONS

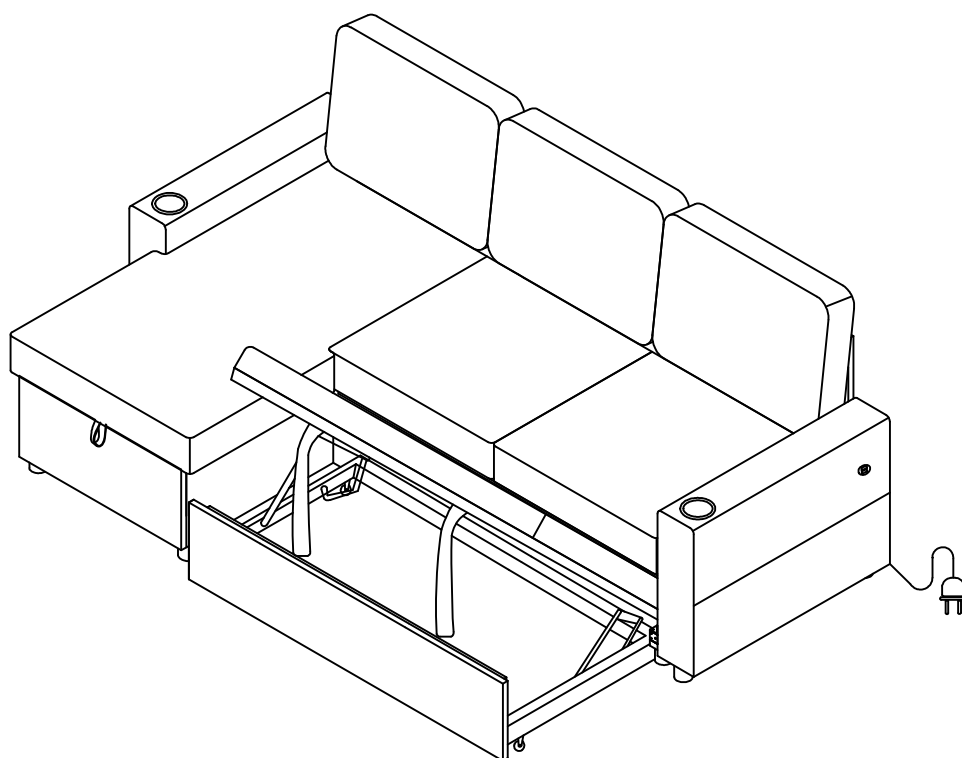


STEP14 :

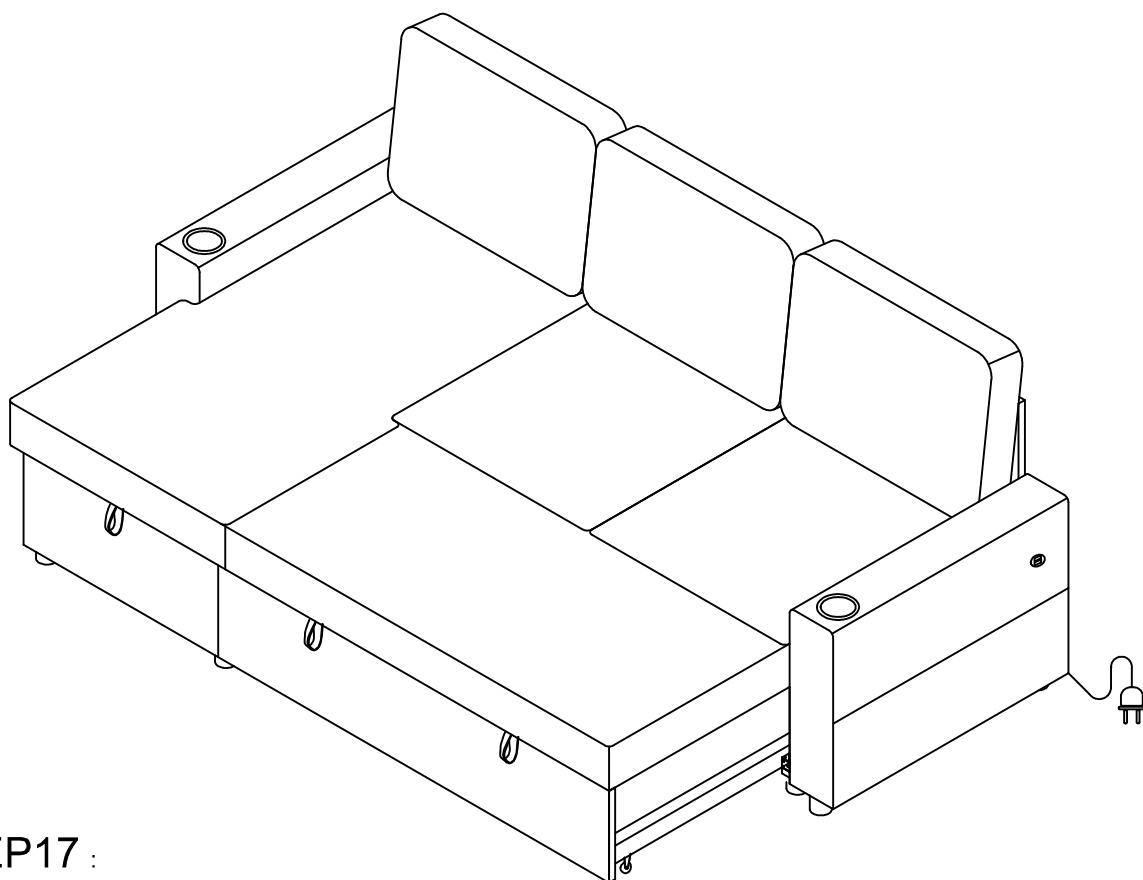


STEP15 :

ASSEMBLY INSTRUCTIONS



STEP16 :



STEP17 :