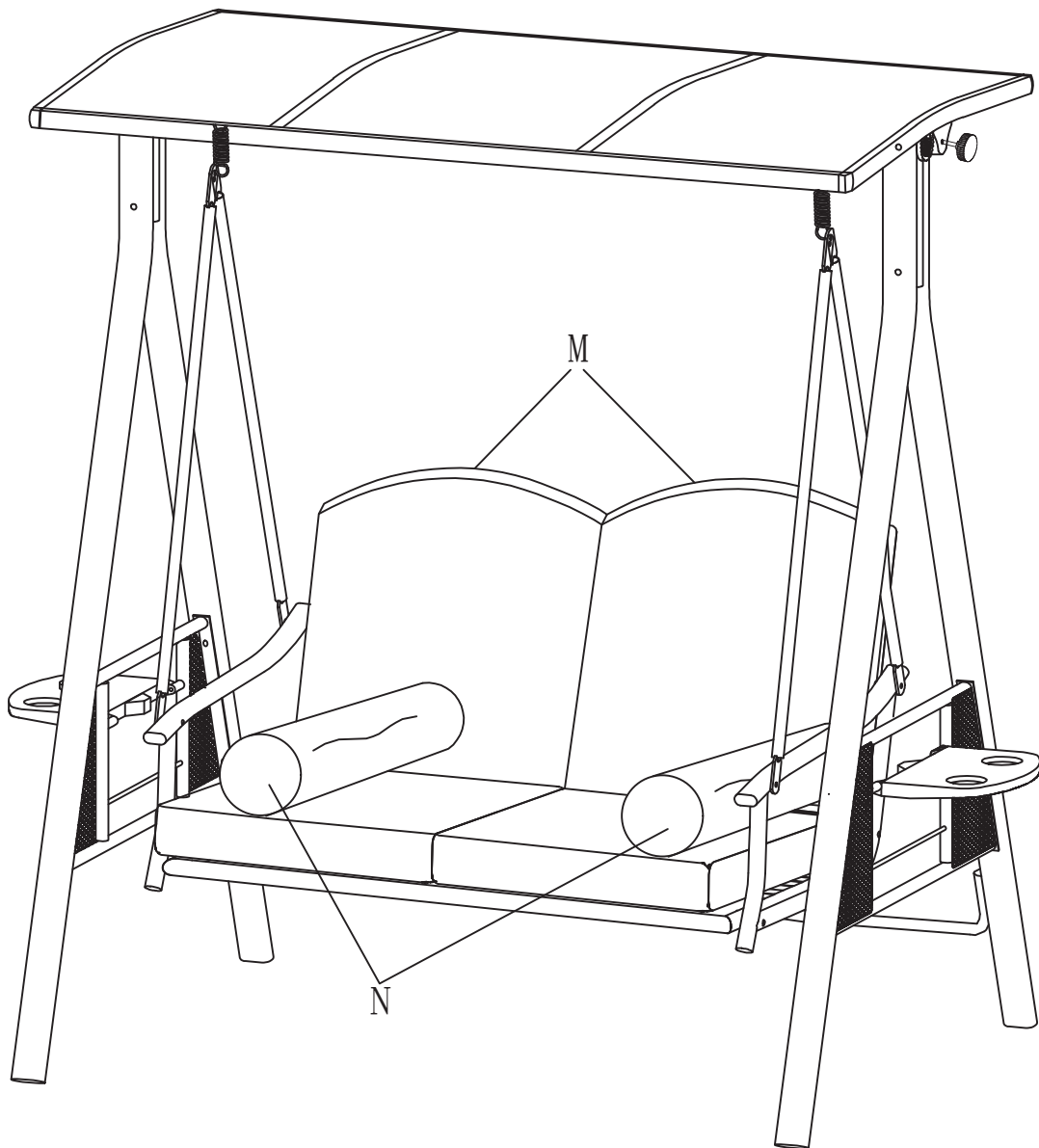


Swing Chair Assembly Instructions



THANKS FOR CHOOSING OUR PRODUCT

Thank you for choosing to buy our swing chair. Its design and curves, as well as the cushioned seat, make you want to stop and rest for a while.

Its "cap" will protect you and allow you to fully enjoy the moment without fearing the sun.

ASSEMBLY INSTRUCTION






IMPORTANT SAFETY NOTICE: READ CAREFULLY BEFORE BEGINNING ASSEMBLY!

- There 2 packages for this product.
- Please confirm the quantity and quality of parts as soon as possible according to the product parts list in the manual. Be sure to check all packing materials carefully for small parts may have come loose inside the carton during shipment. If parts are missing, contact us to obtain any missing parts.
- DO NOT USE SUBSTITUTE PARTS.
- Always use proper tools.
- Follow the assembly steps in order. Do not skip any steps.
- Periodically check to ensure that all connectors (bolts, screws, etc.) are tight.
- Keep the instructions for future reference.


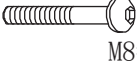



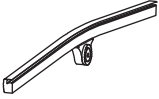








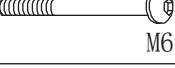
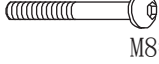
CAUTIOUS

- Confirm that all bolts and screws are tightened securely.
- Check that the roof panels are flush and stable.
- Ensure the swing chair is properly anchored and resistant to movement.
- Avoid dragging heavy objects on the furniture to prevent damage.
- Regularly inspect for wear or damage and address any issues promptly.
- Check and tighten hardware connections periodically.
- Keep packaging until assembly is complete to avoid losing small parts.
- Use a damp cloth with warm soapy water or a suitable cleaning product to clean.
- Ensure proper drying after cleaning to prevent mold growth.

PARTS LIST-A CARTON

B		x2				
C		x2				
D		x4				
J		x2				
L		x3				

PARTS LIST- B CARTON

(A)		x1		(HH)	 M8*55	x2
(E)		x1		(II)	 M6*15	x16
(F)		x2		(JJ)	 M8	x14
(G)		x1		(KK)	 M8	x14
(H)		x1		(LL)	 M6	x20
(I)		x2		(MM)	 M6	x4
(K)		x2		(NN)	 M6	x4
(M)		x2		(OO)	 M8	x14
(N)		x2		(PP)	 M6	x1
(AA)		x2		(QQ)	 M8	x1
(BB)		x2		(RR)	 M6/M8	x1
(CC)		x4		(SS)	 M8*62	x2
(DD)		x3		(TT)	 M6*89	x4
(EE)	 M8*100	x4				
(FF)	 M8*80	x2				
(GG)	 M8*65	x4				

INSTALLATION PROCEDURE:

1



(A) 1PC



(B) 2PCS



(C) 2PCS



M8*100

(EE) 4PCS



M8

(JJ) 4PCS



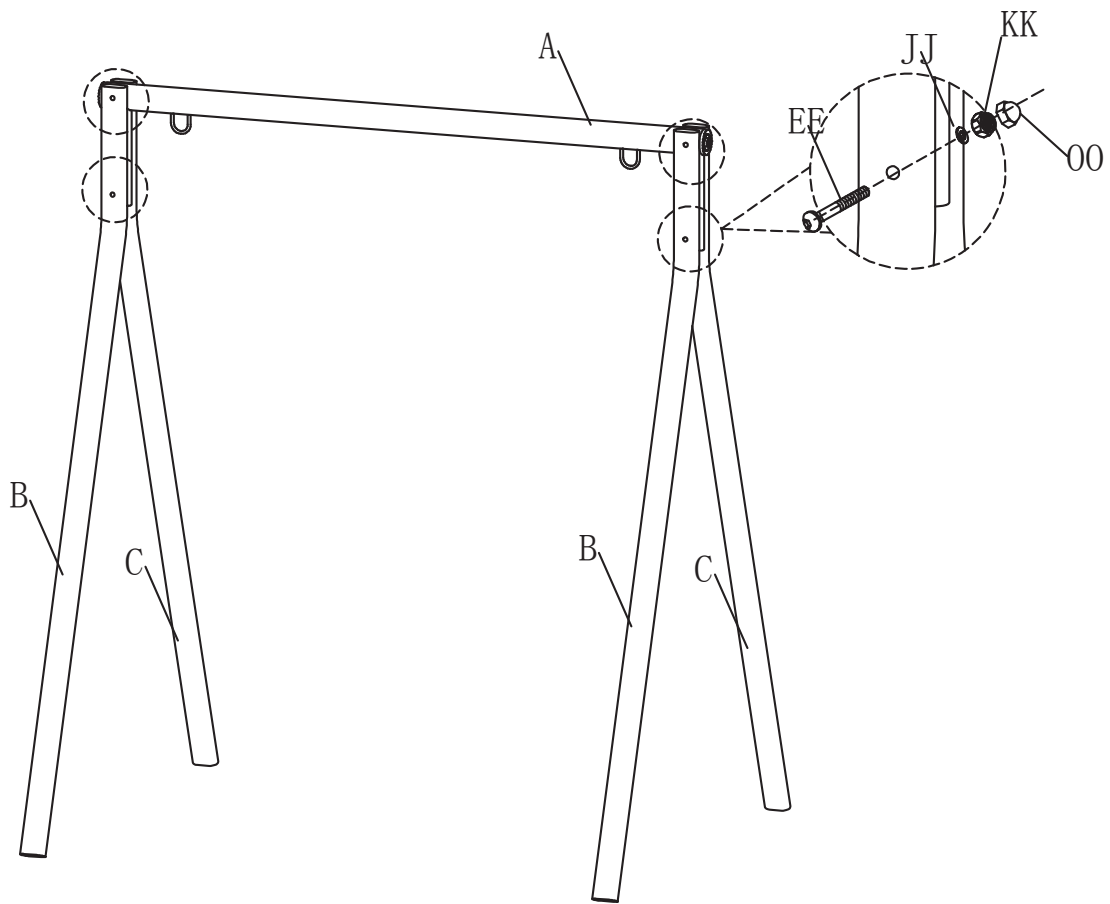
M8

(KK) 4PCS



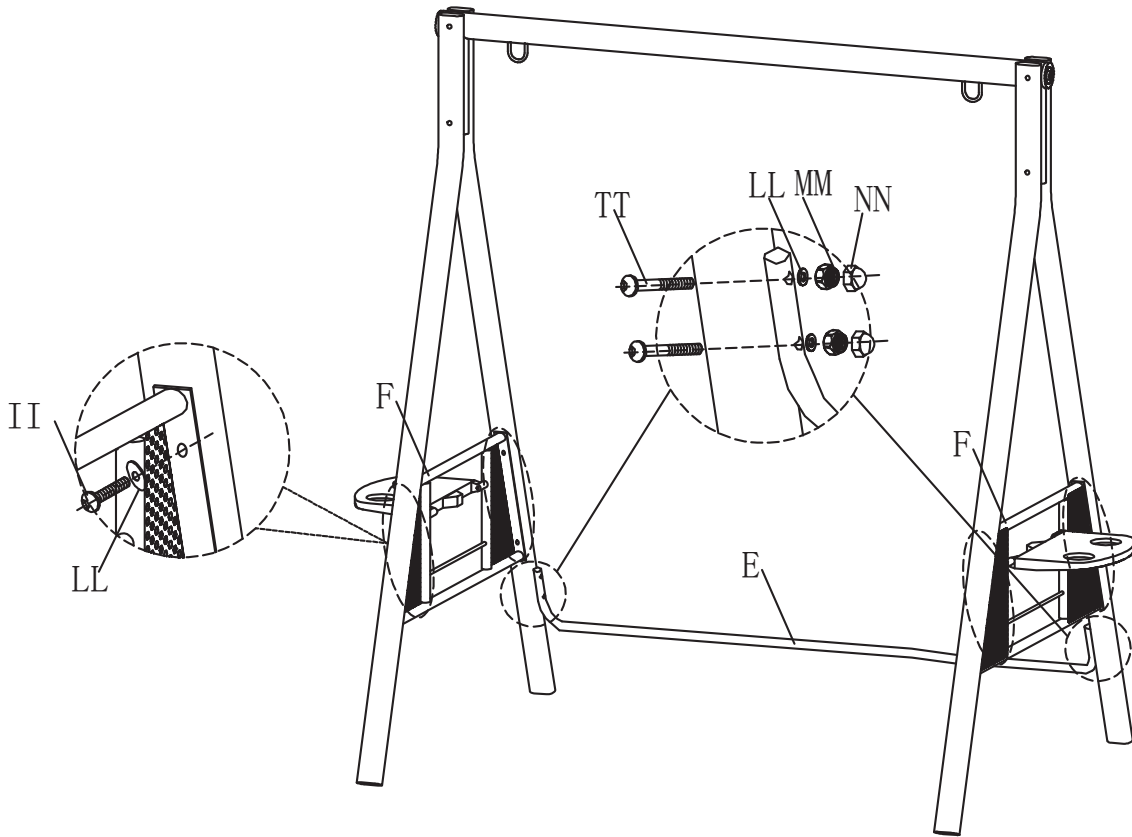
M8

(OO) 4PCS



2

- | | | | | | | |
|---|---|---|---|--|---|---|
|  |  |  |  |  |  |  |
| (F) 2PCS | (E) 1PC | (LL) 12PCS | (II) 8PCS | (TT) 4PCS | (MM) 4PCS | (NN) 4PCS |



3



I 2PCS



H 1PC



G 1PC



M8*65
GG 4PCS



M8
JJ 6PCS



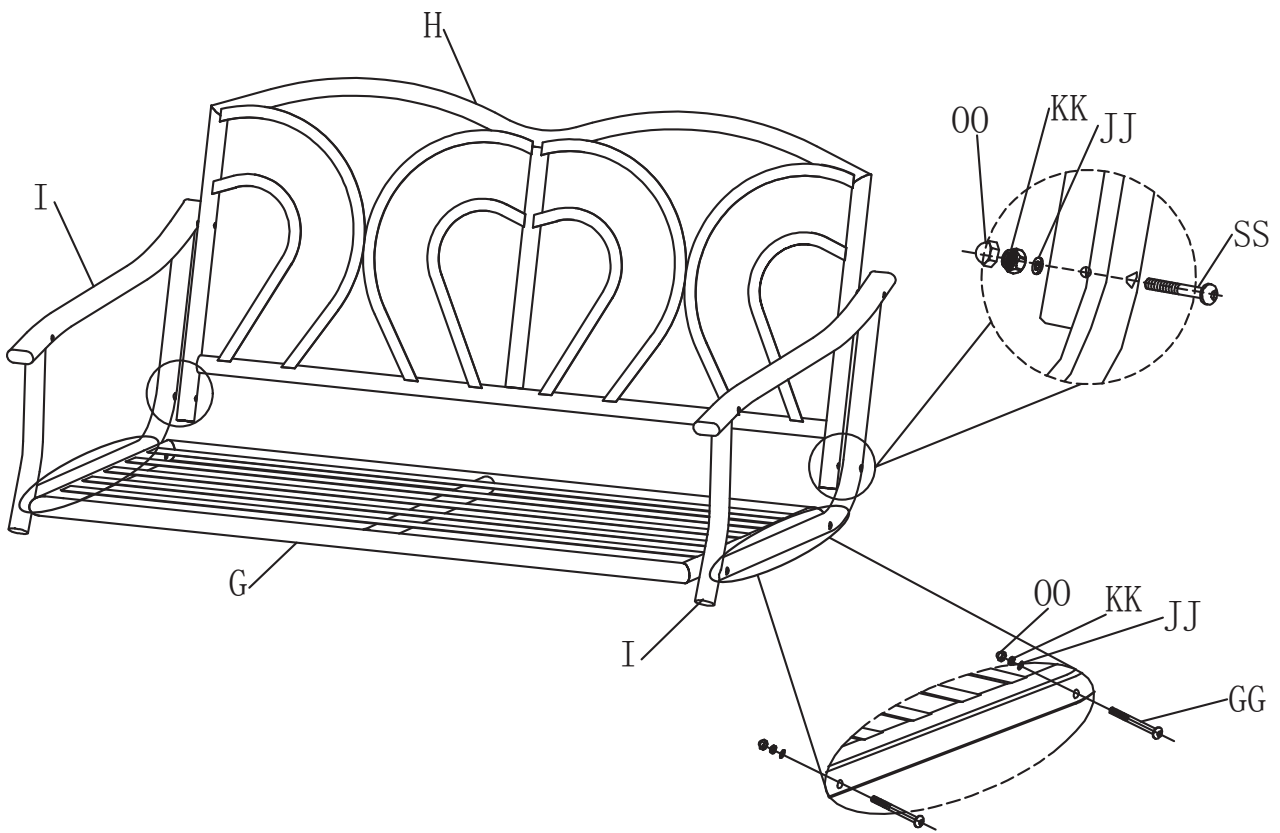
M8
KK 6PCS










M8
OO 6PCS

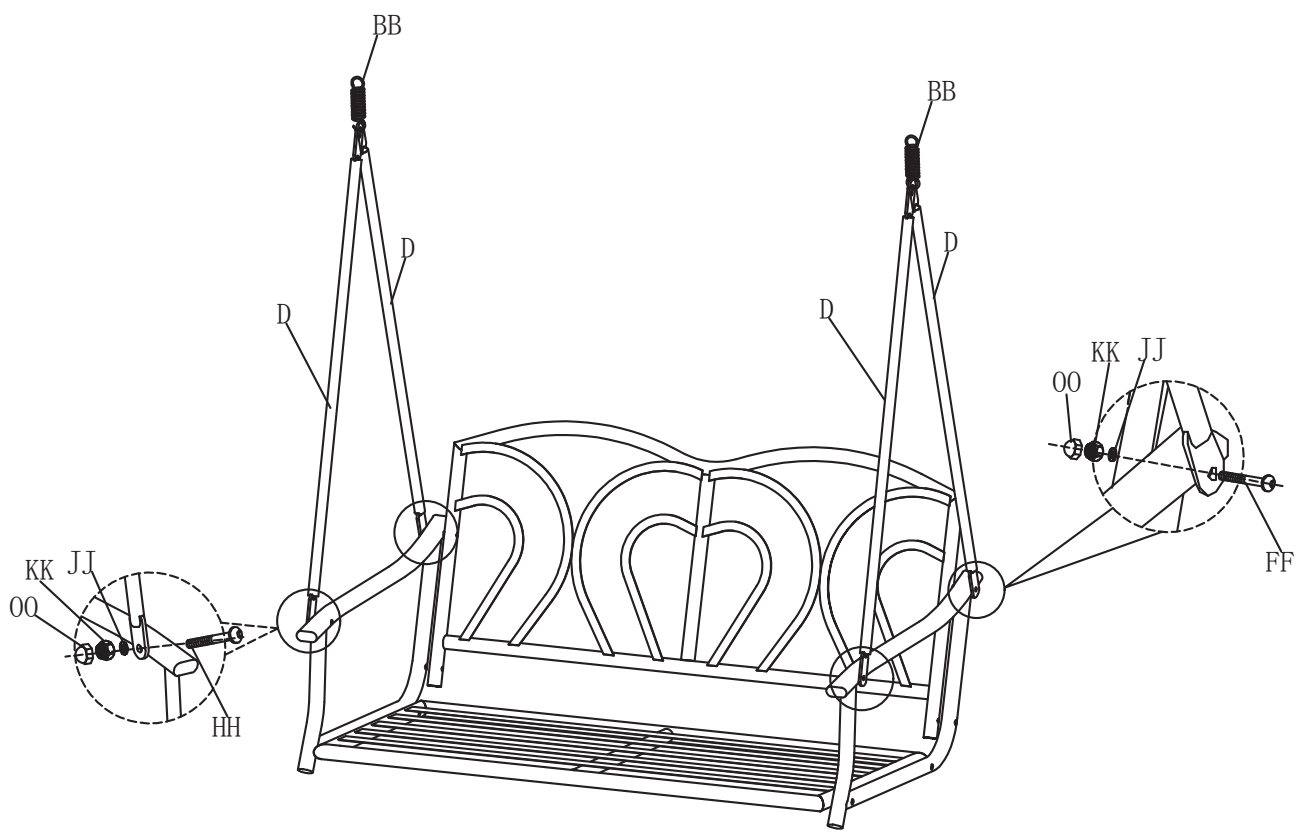


M8*62
SS 2PCS

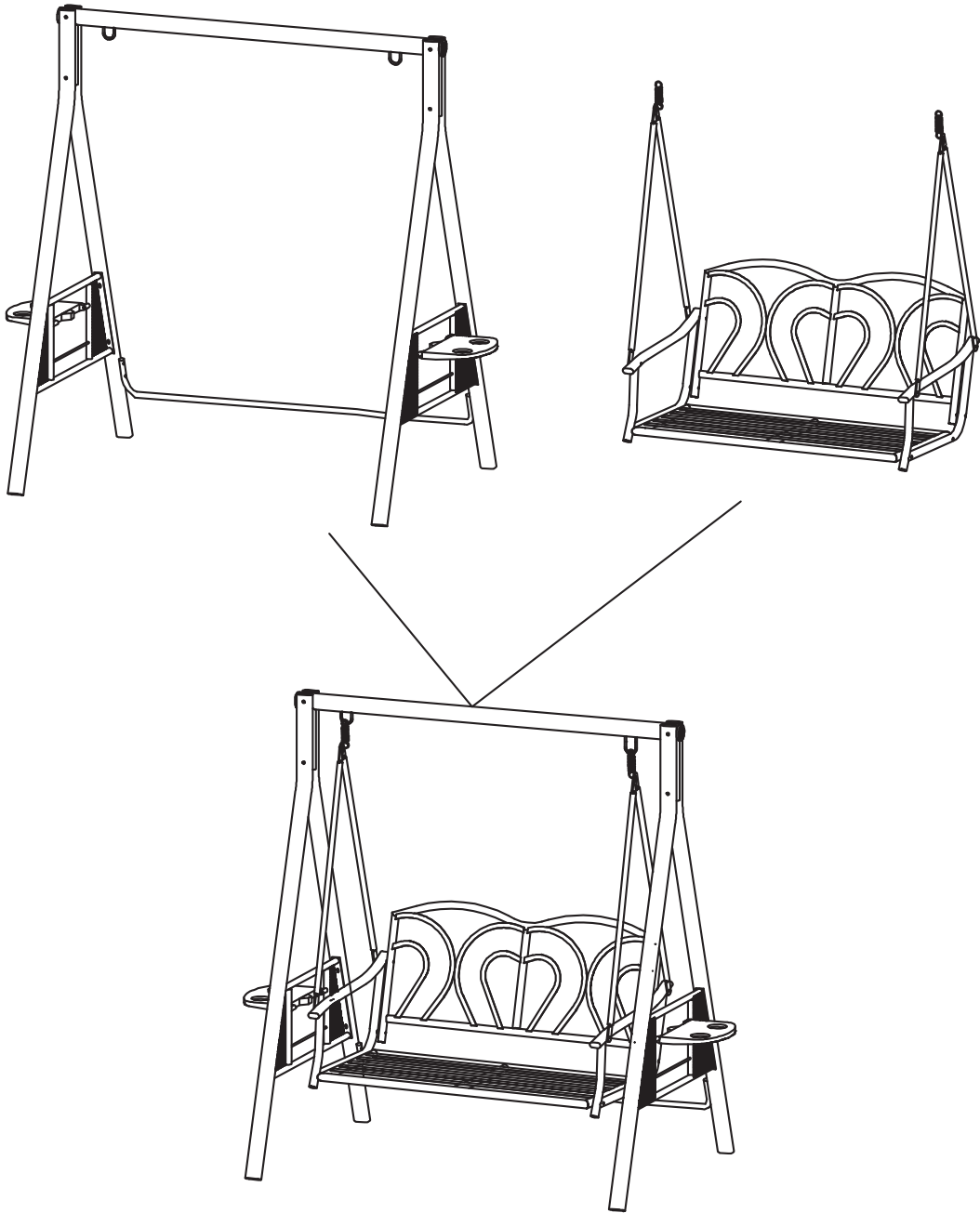


4

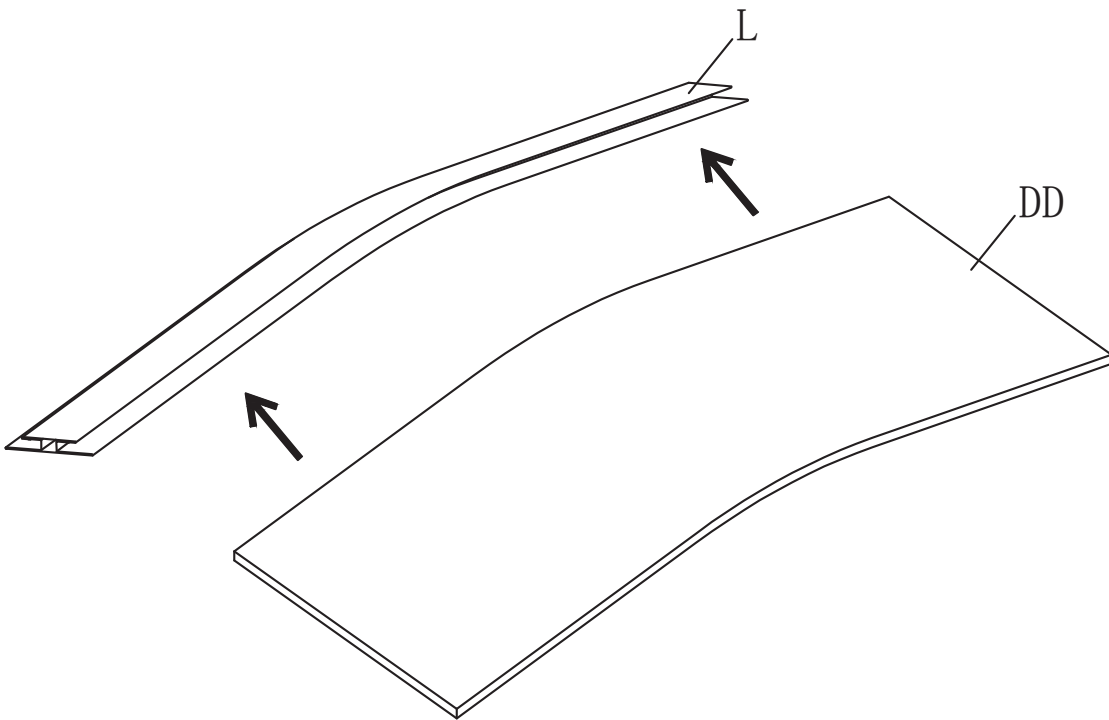
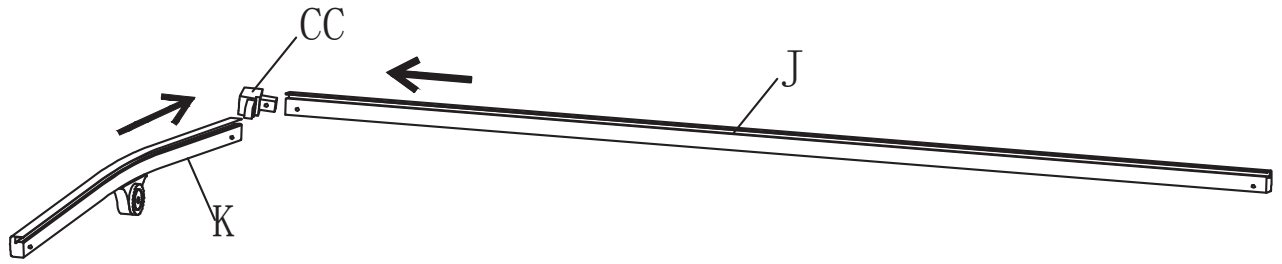
						
M8*55	M8	M8	M8	M8	M8	M8*80
(D) 4PCS	(BB) 2PCS	(HH) 2PCS	(JJ) 4PCS	(KK) 4PCS	(OO) 4PCS	(FF) 2PCS



5

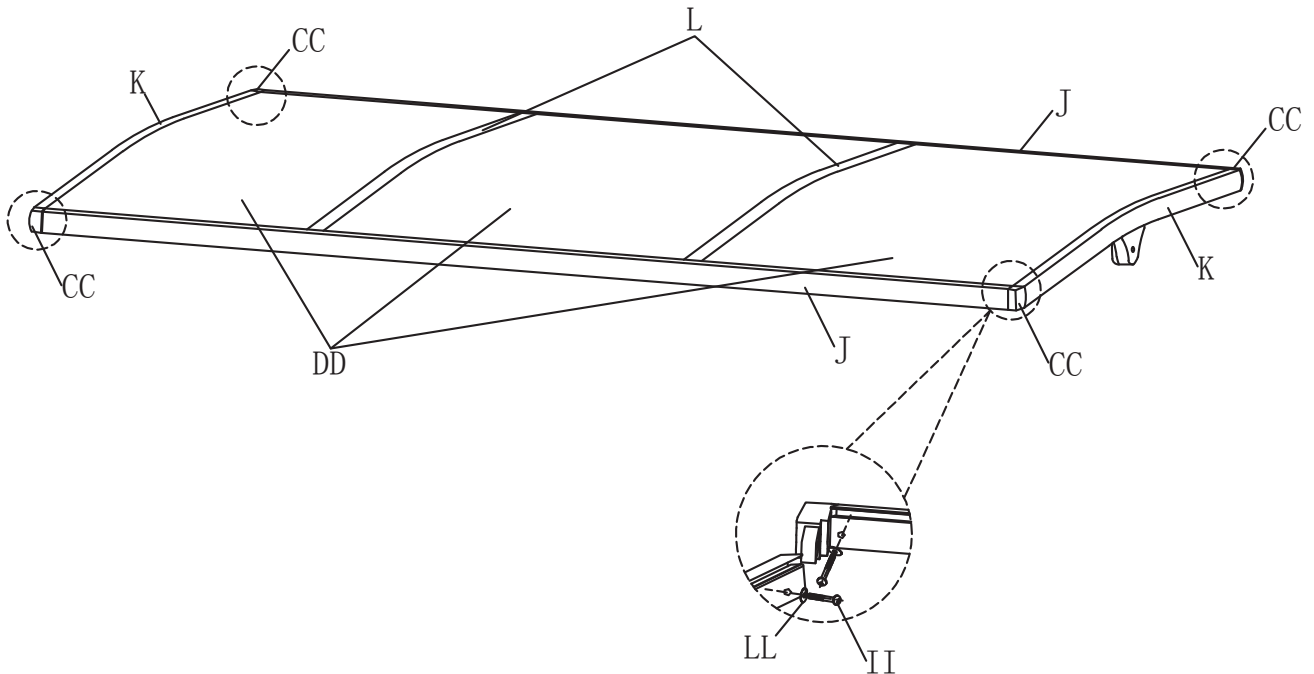


6



7

- | | | | | | | |
|---|---|---|---|--|---|---|
|  |  |  |  |  |  |  |
| Ⓚ 2PCS | Ⓝ 2PCS | Ⓛ 2PCS | Ⓞ 4PCS | Ⓣ 3PCS | ⓁⓁ 8PCS | ⓂⓂ 8PCS |



8



AA 2PCS

