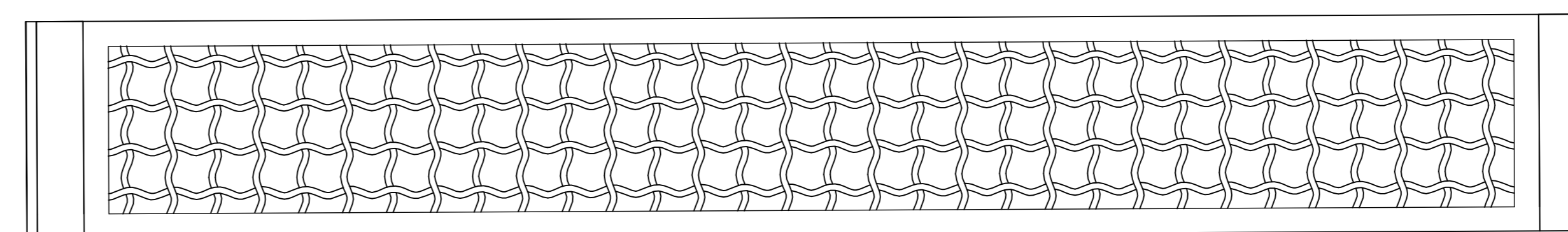
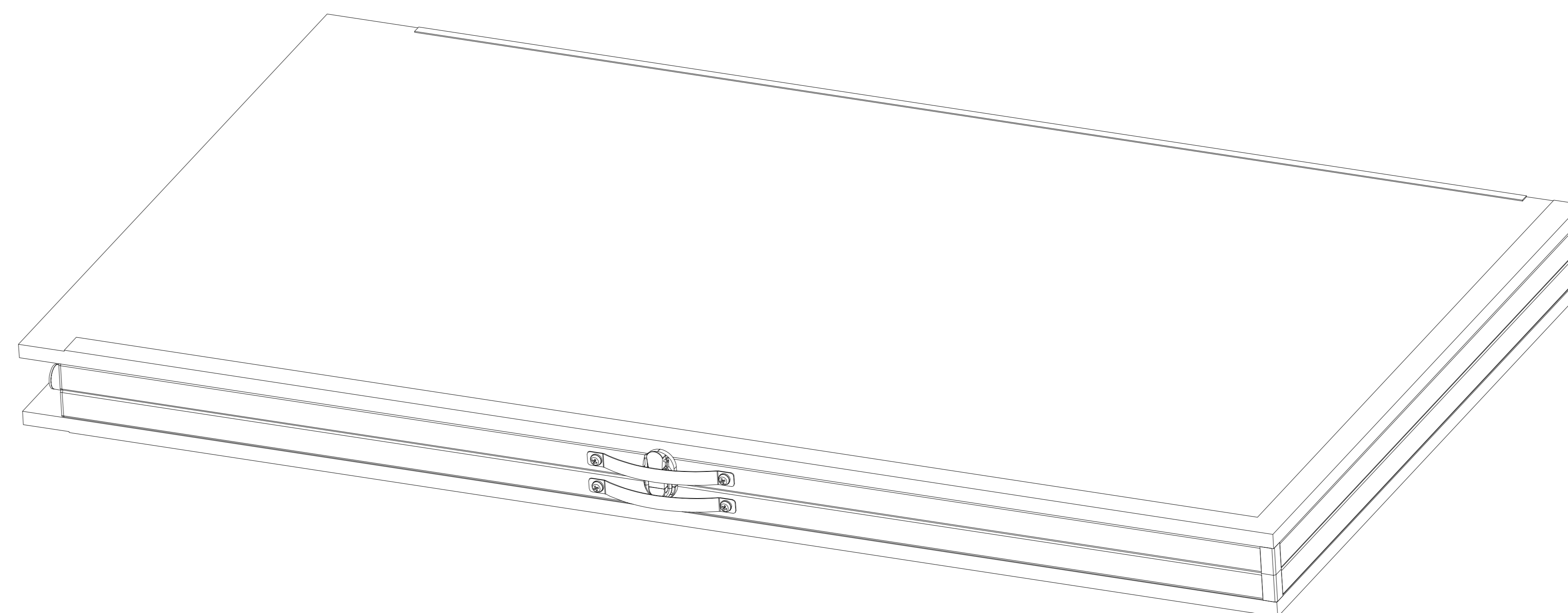


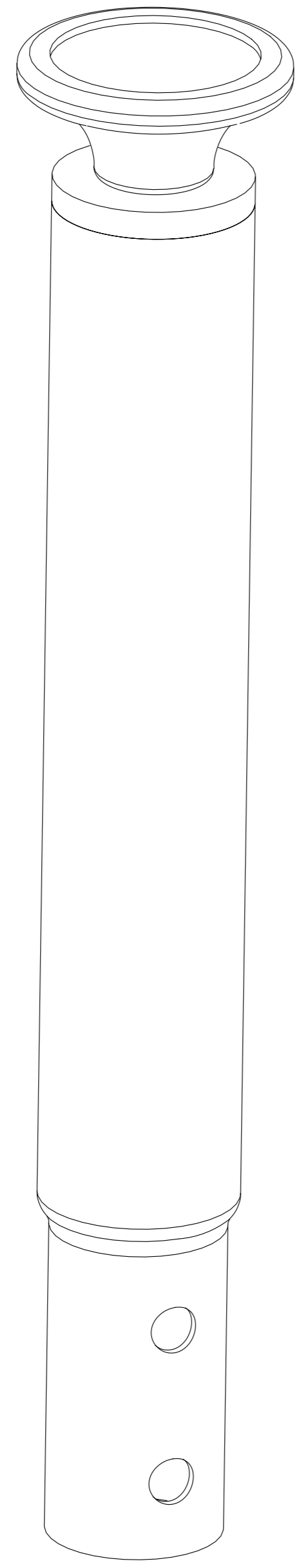
D 2PCS



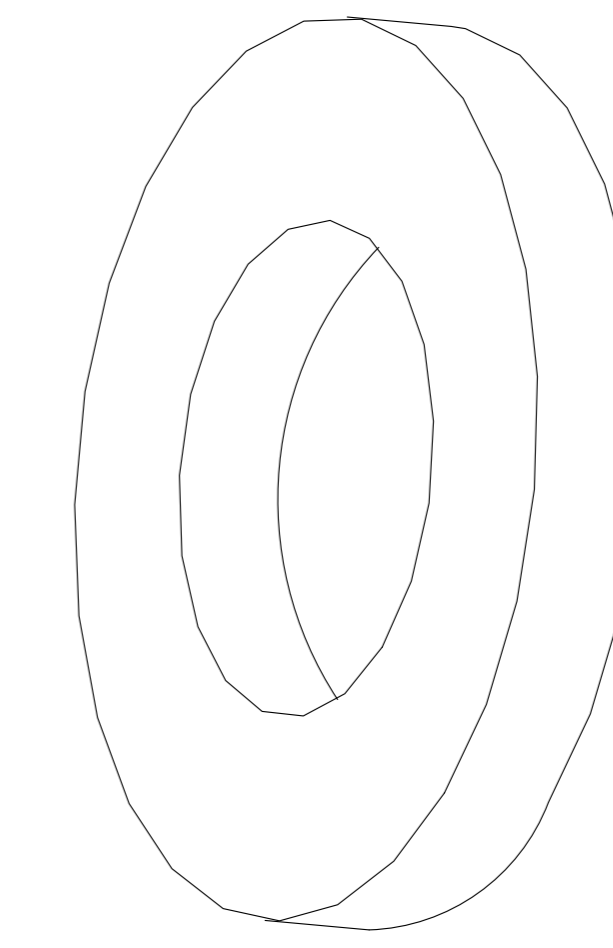
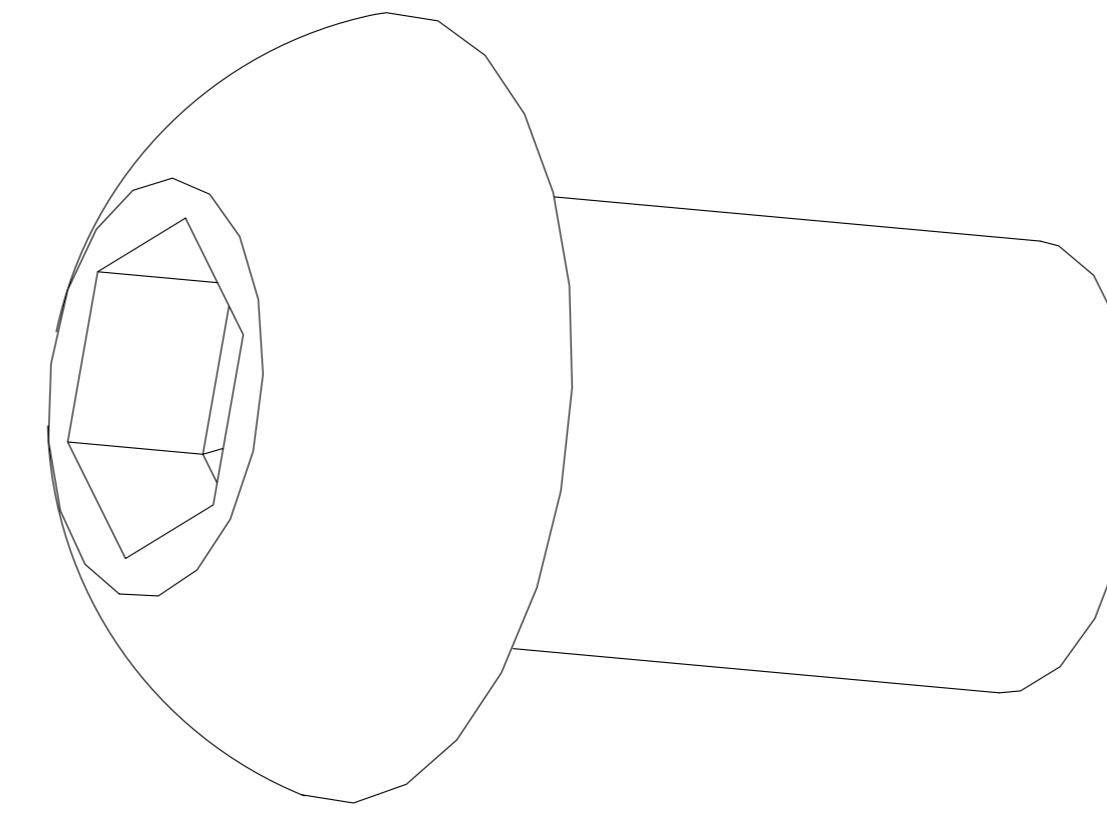
E 1PCS



C 2PCS

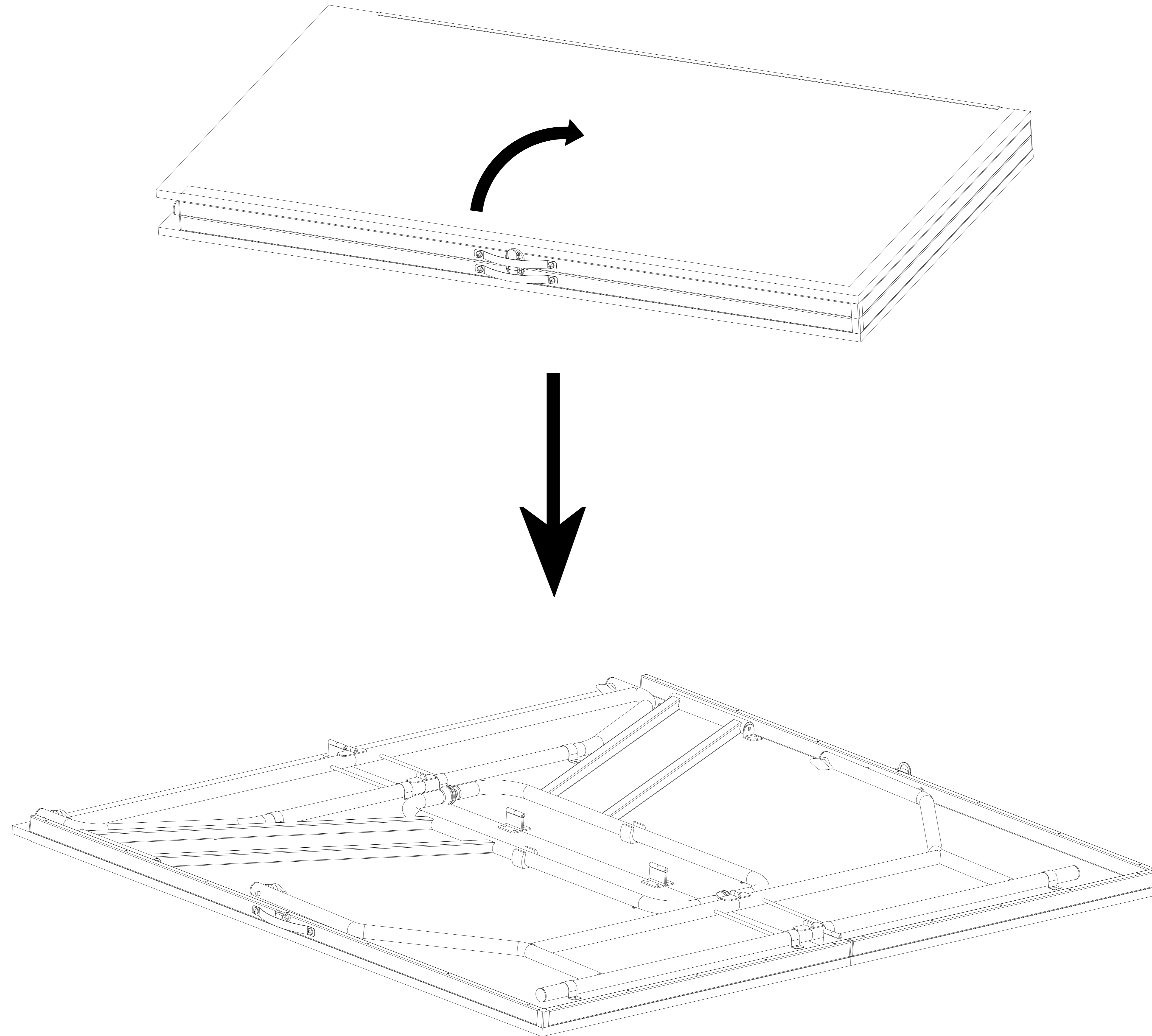


A 8PCS

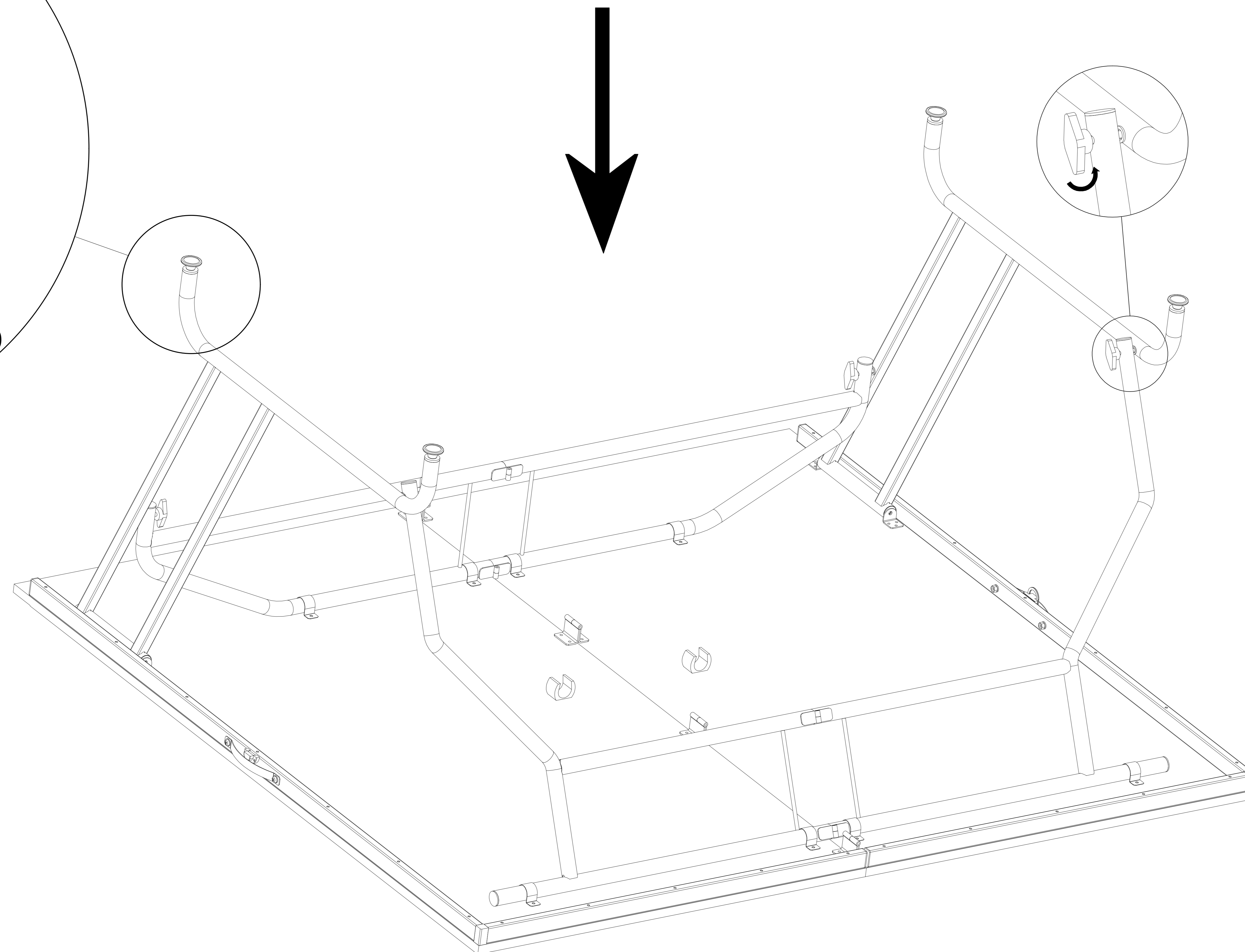
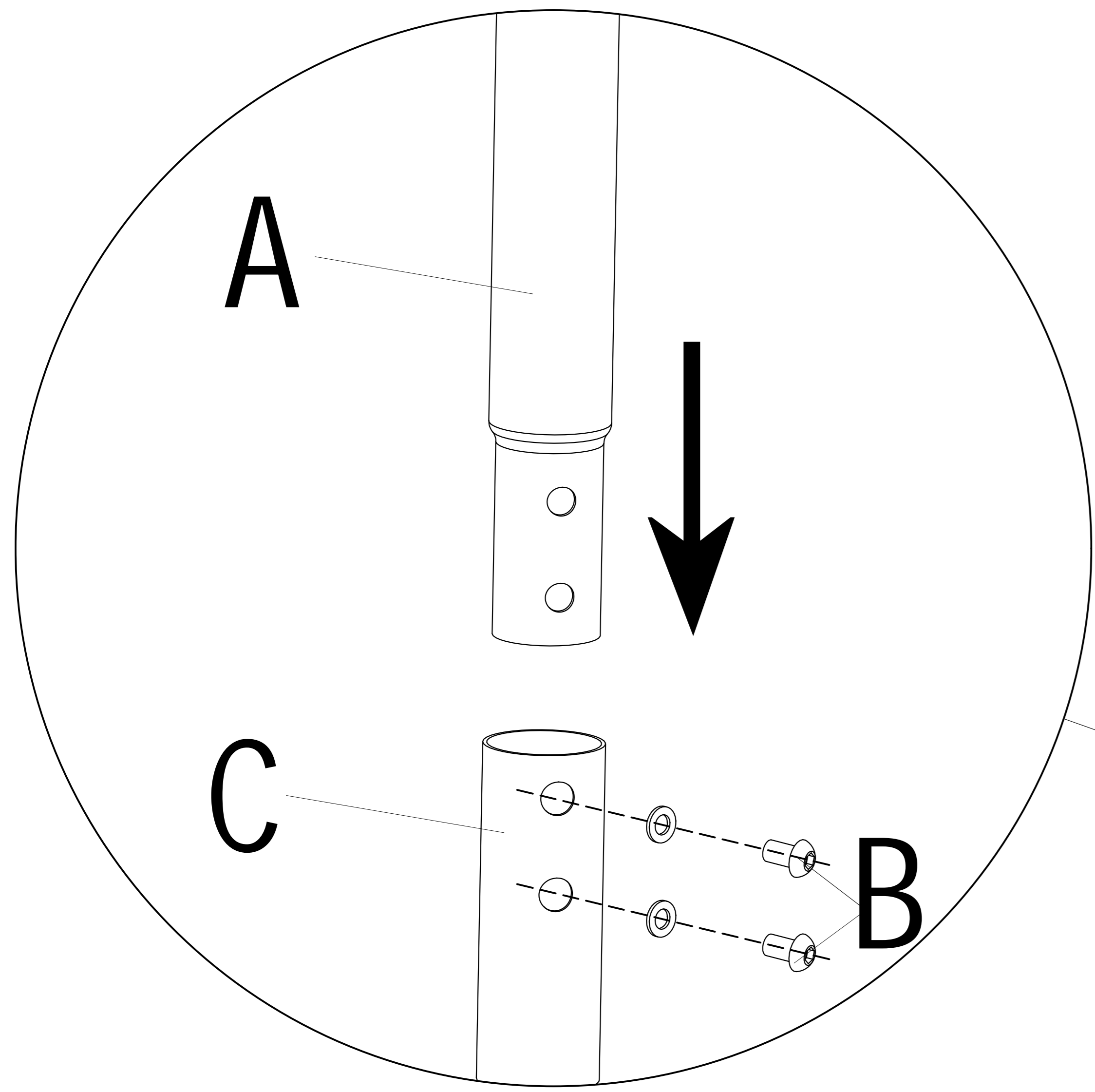
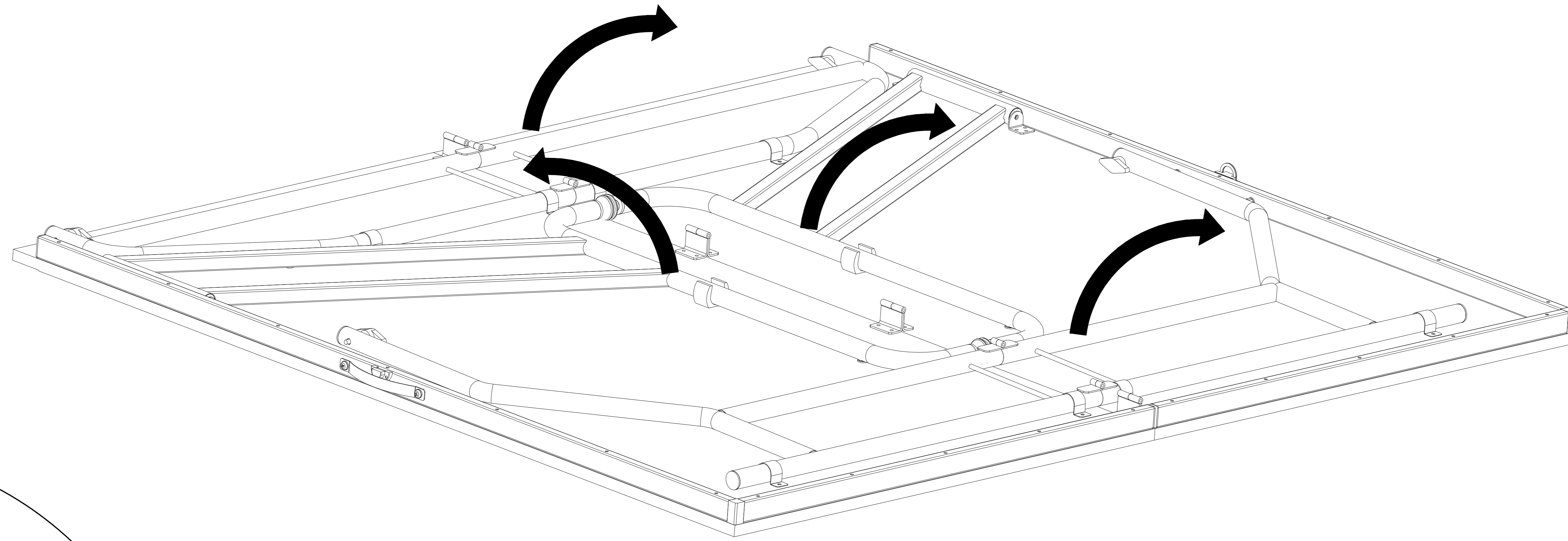


B 16PCS

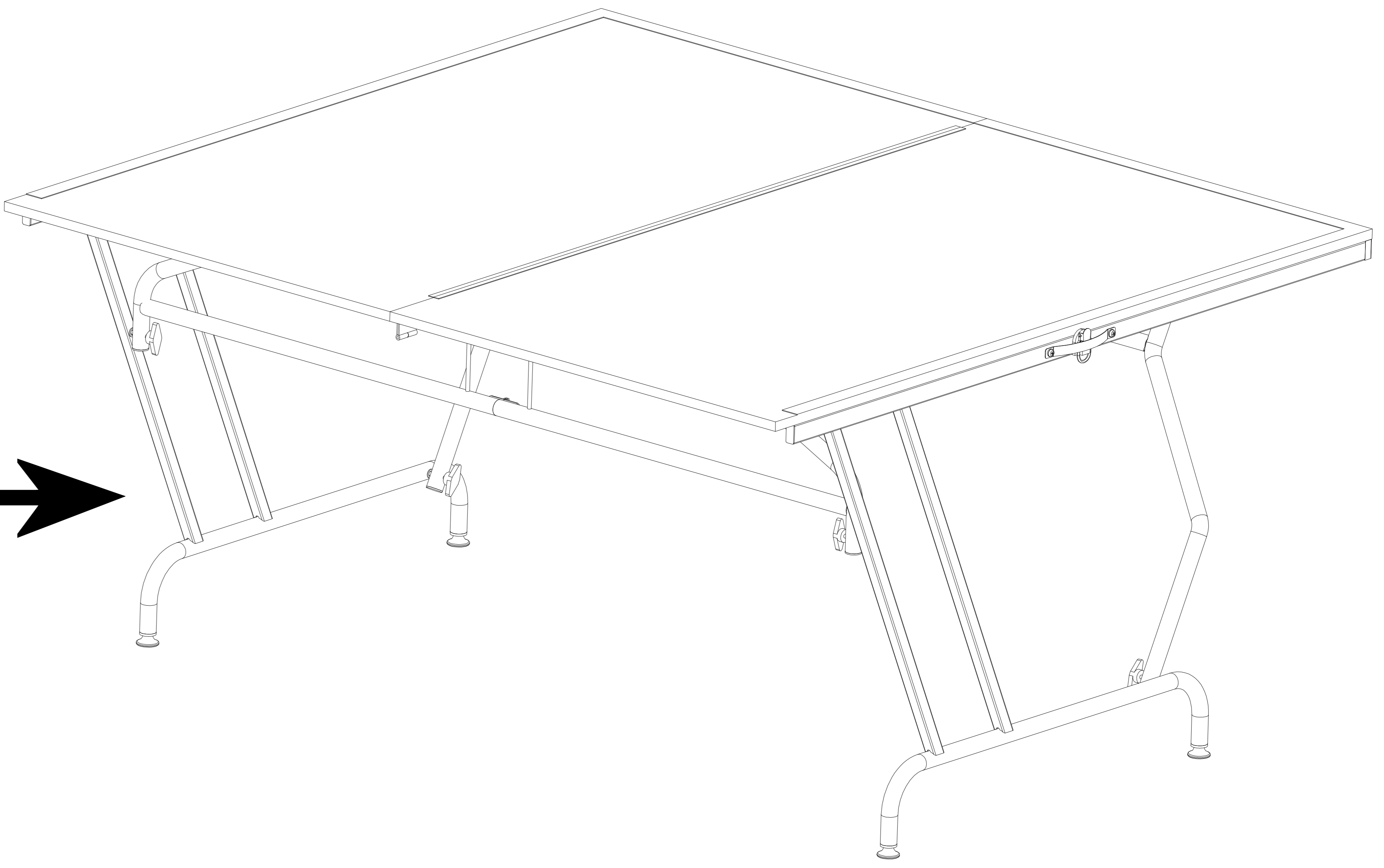
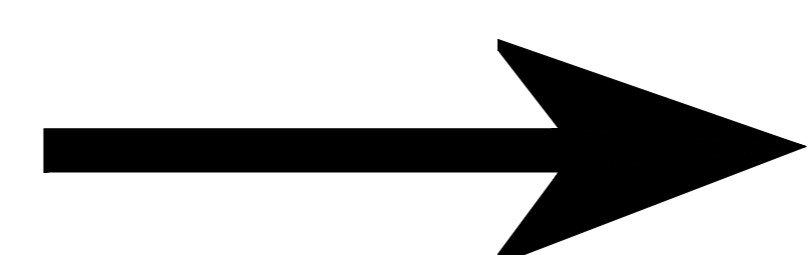
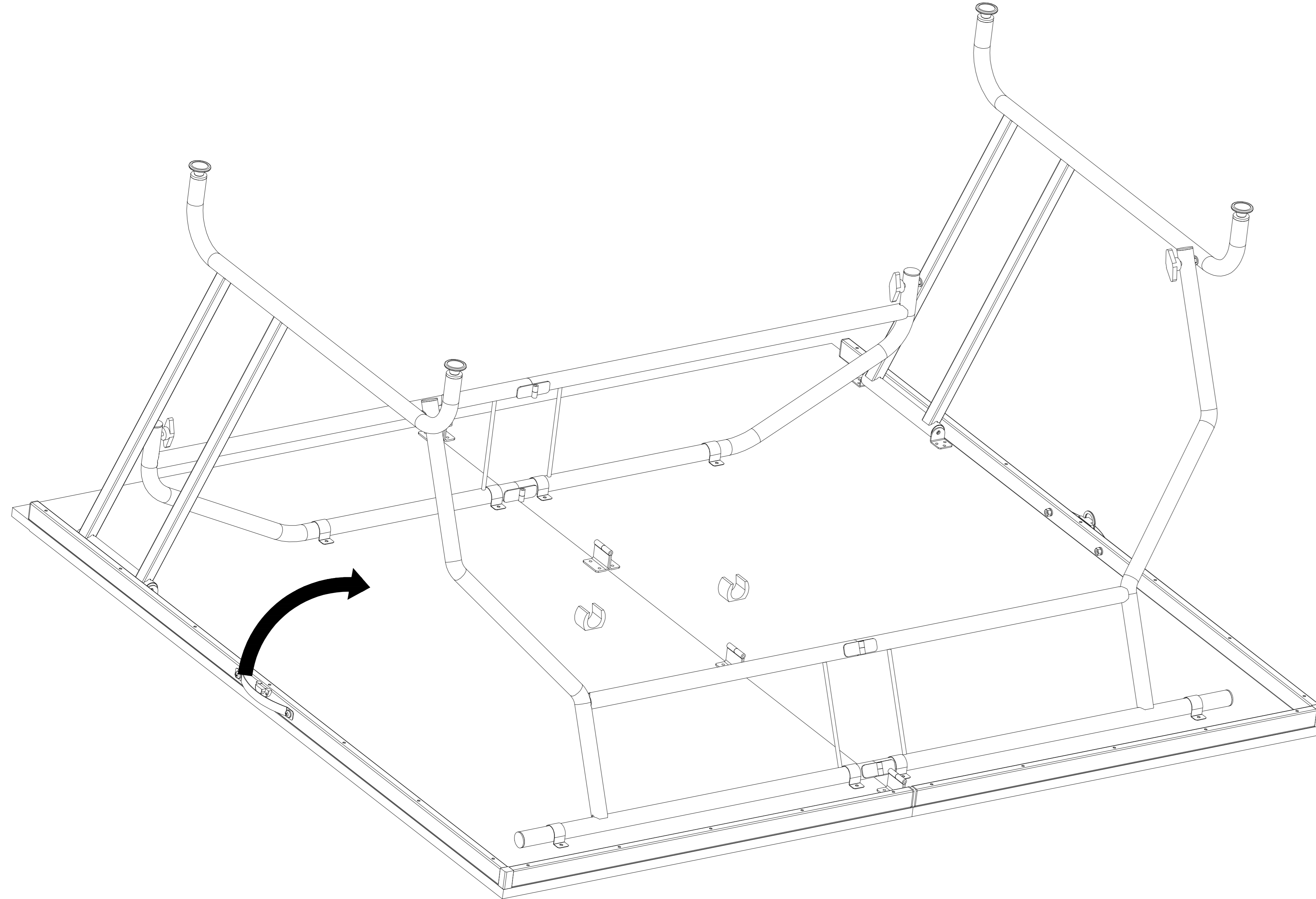
STEP 1



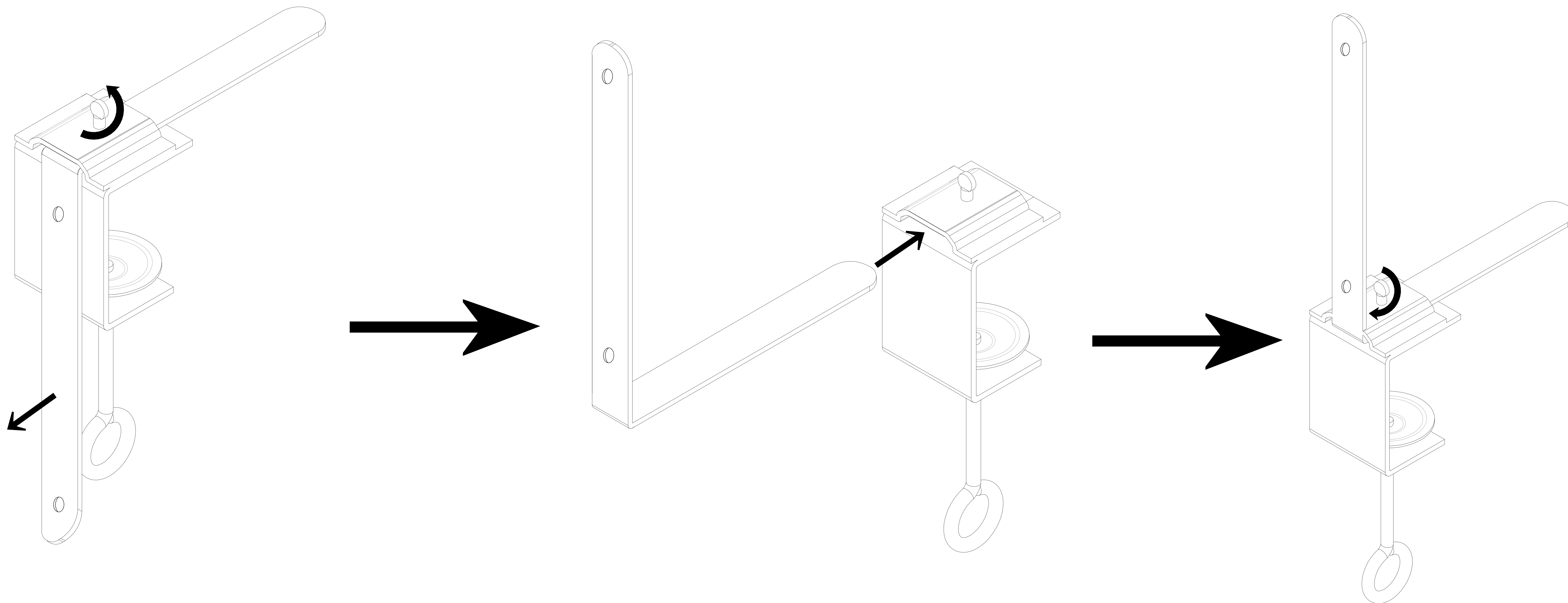
STEP 2



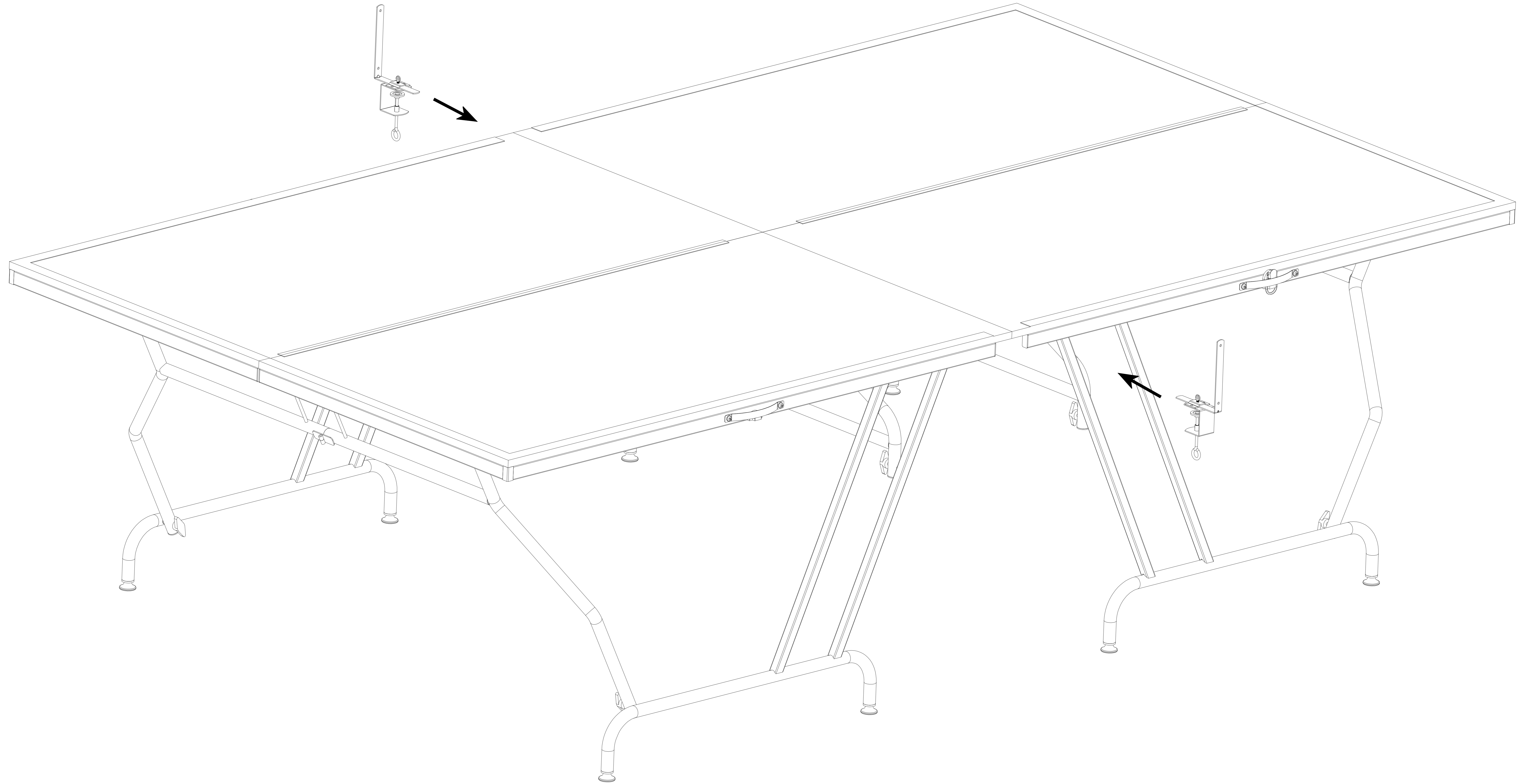
STEP 3



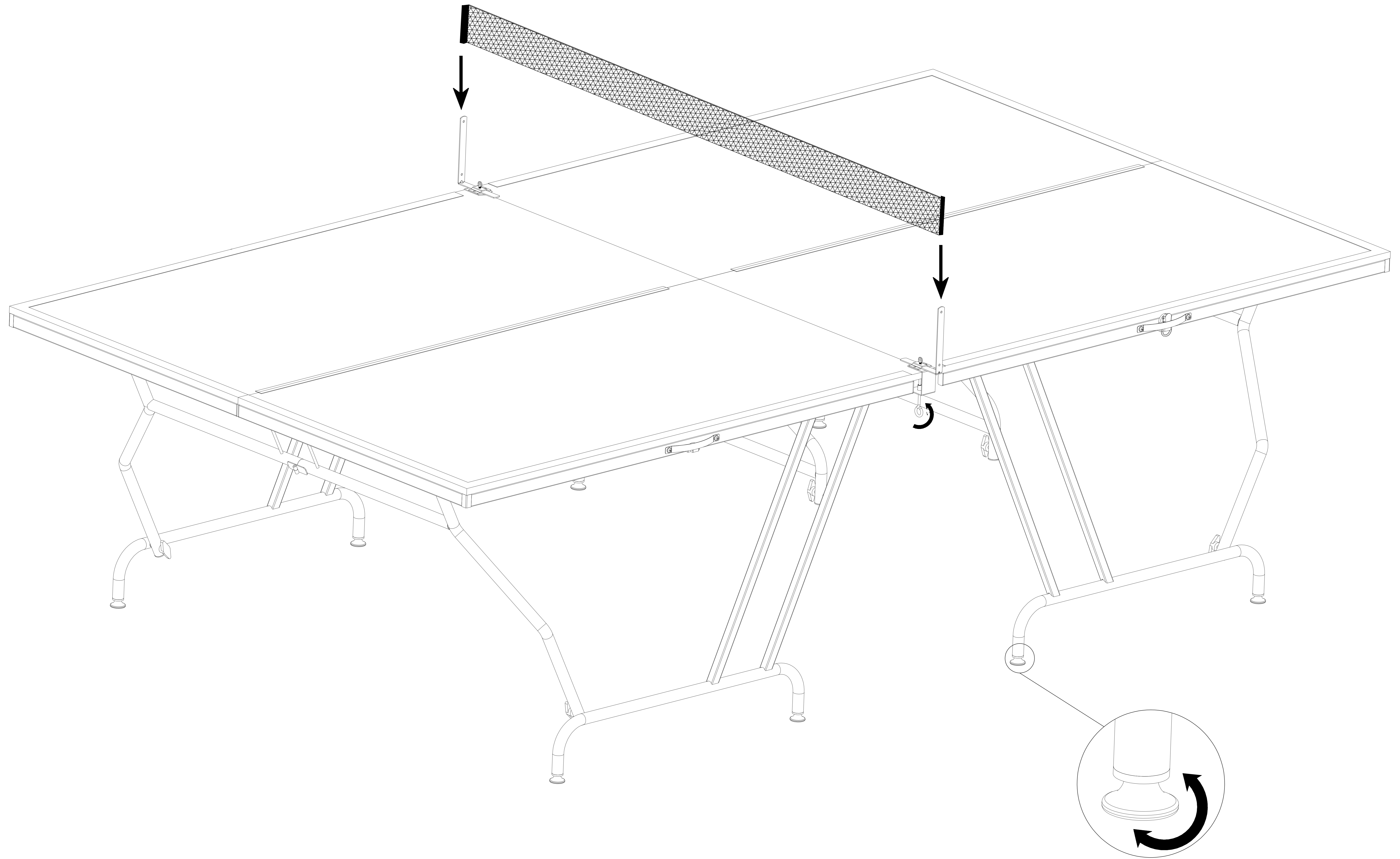
STEP 4



STEP 5



STEP 6



Need to rotate the anchor adjustment screw to make the table level