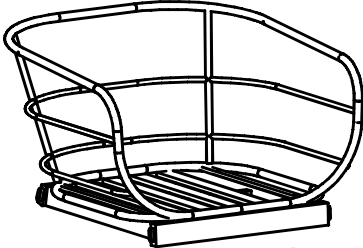
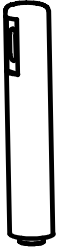
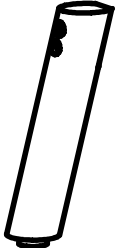
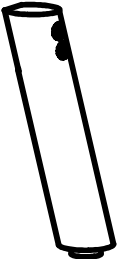


Hello! Please read these important attentions...

Please put a thick carpet on the ground to protect the furniture finish and corners. During the installation process, **DON' T** fasten screws tight 100% at a time.

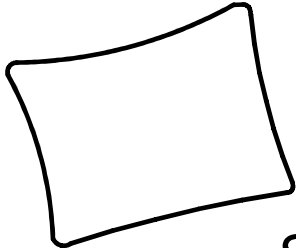
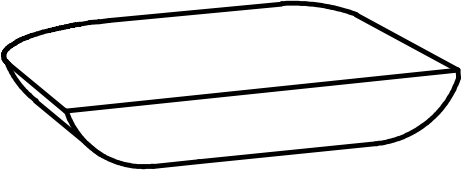
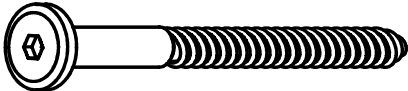
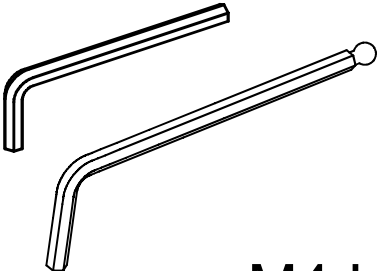
Assembly Instructions

Please read this before you proceed

NUMBER	COMPONENT	QUANTITY
A	 <p>Single Chair frame</p>	2pcs
C	 <p>Front chair leg</p>	4pcs
D	 <p>Right rear chair legs</p>	2pcs
E	 <p>Left rear chair legs</p>	2pcs

Assembly Instructions

Please read this before you proceed

NUMBER	COMPONENT	QUANTITY
N	 Single pillow back	2pcs
K	 Single cushion seat	2pcs
P	 Screw M6x70mm	16pcs
X	 M4 Hex wrench	2pcs

Assembly Instructions

Please read this before you proceed

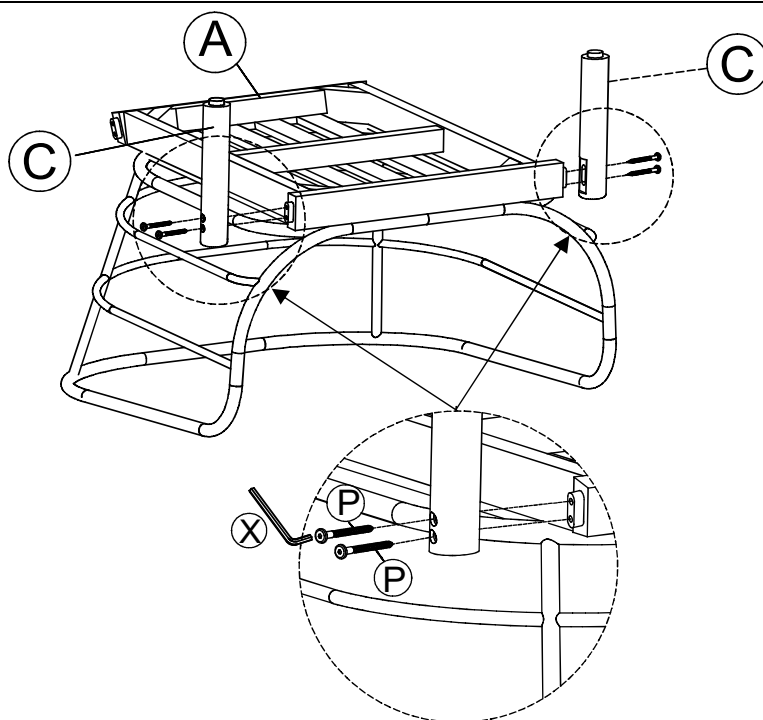
①

A x 1

C x 2

P x 4

X x 1



Use the Allen key (X), screw (P)
to connect the part (C), and part (A).
This process requires two operations.
Note: only tighten 80%

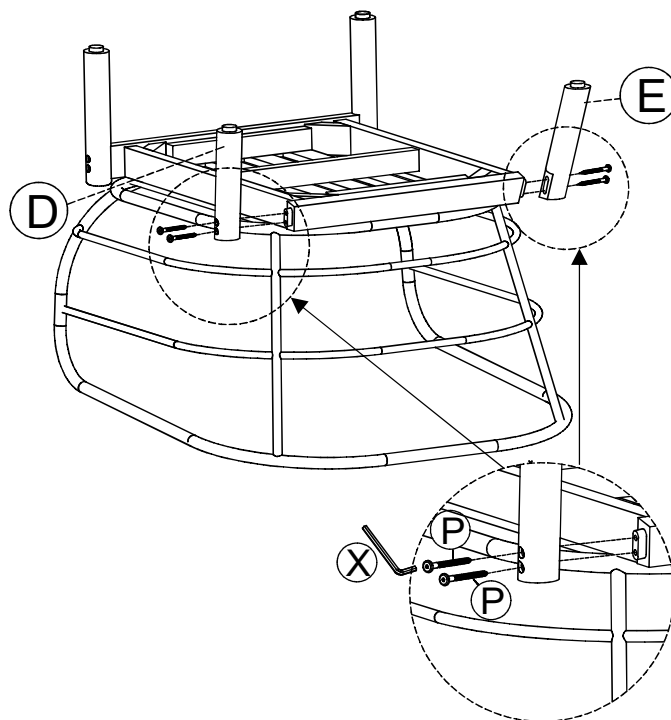
②

D x 1

E x 1

P x 4

X x 1

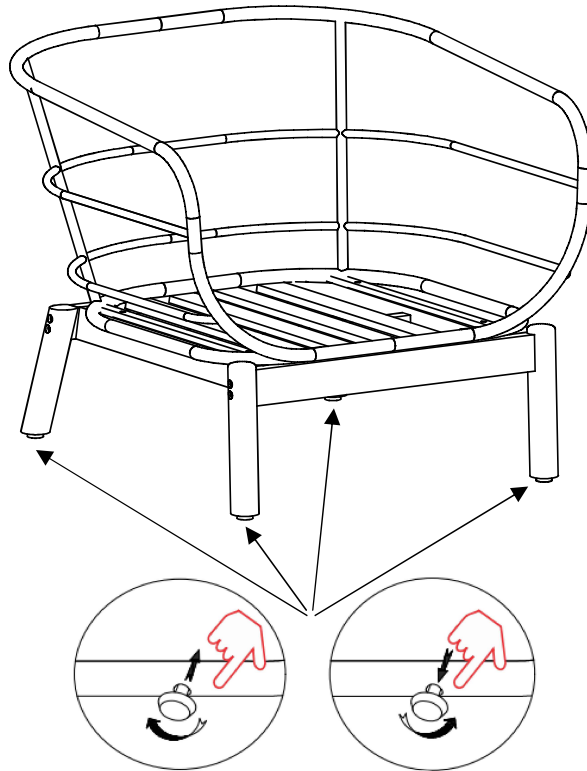


Use the Allen key (X), screw (P)
to connect the part (D), and part (E).
This process requires two operations.
Note: only tighten 80%

Assembly Instructions

Please read this before you proceed

③

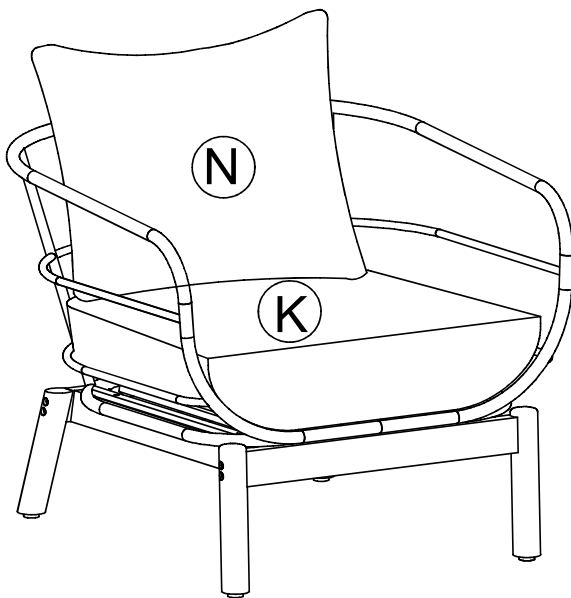


Adjust this position up or down

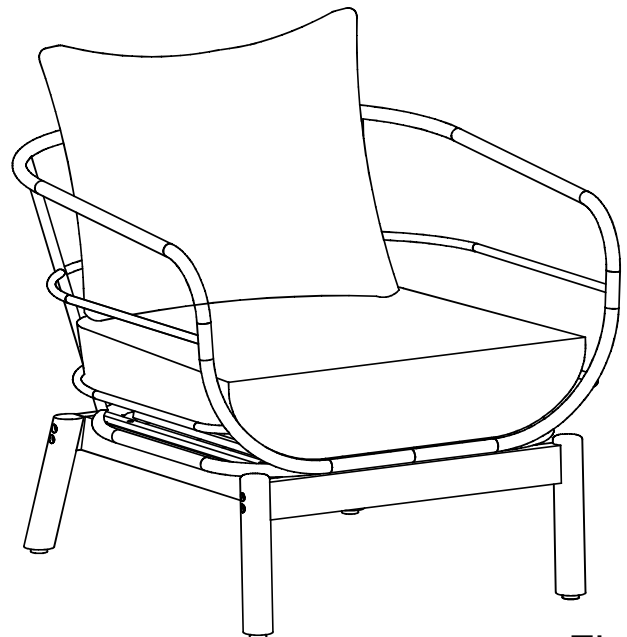
④

N x 1

K x 1



Use part (K) and part (N).



Finish