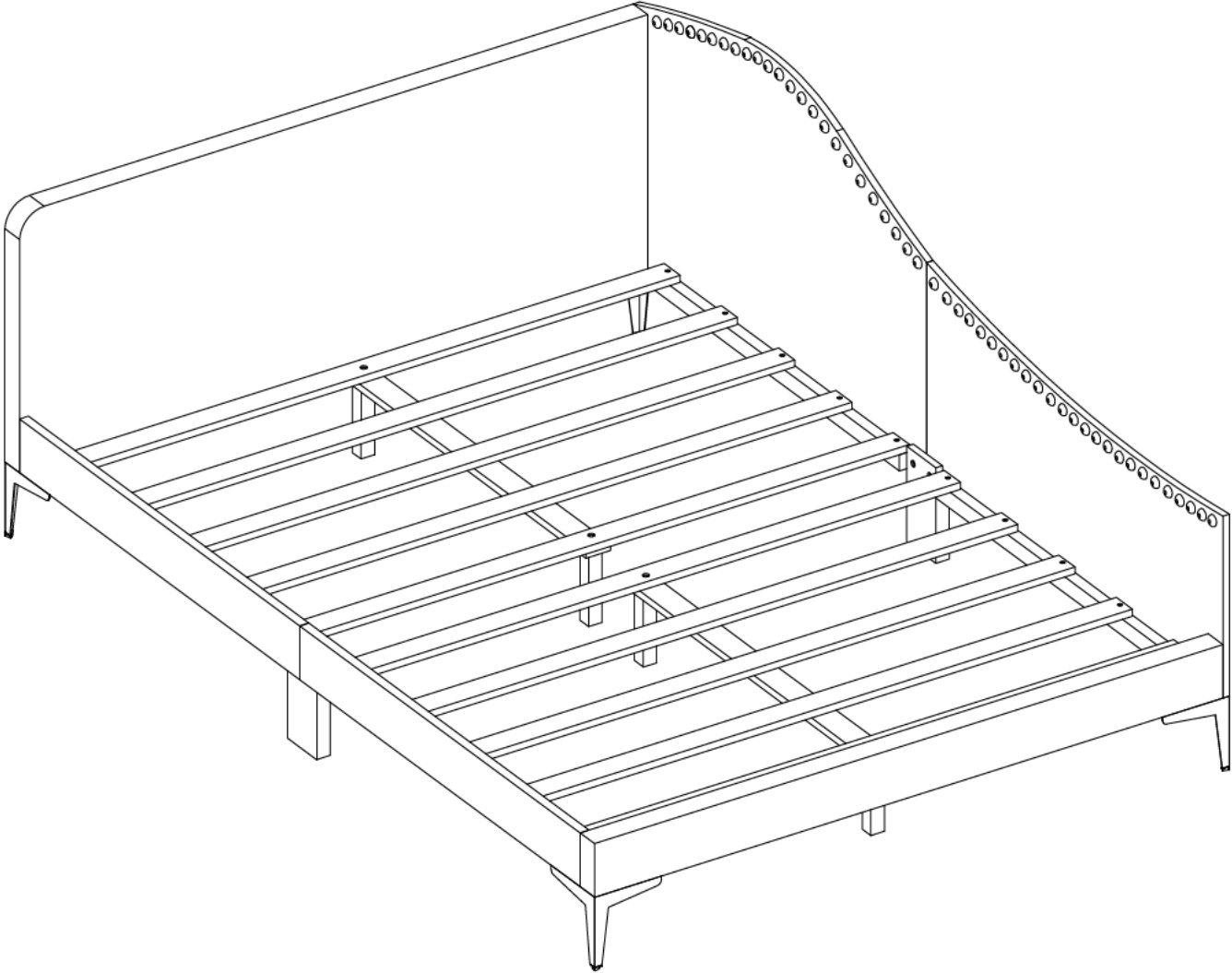
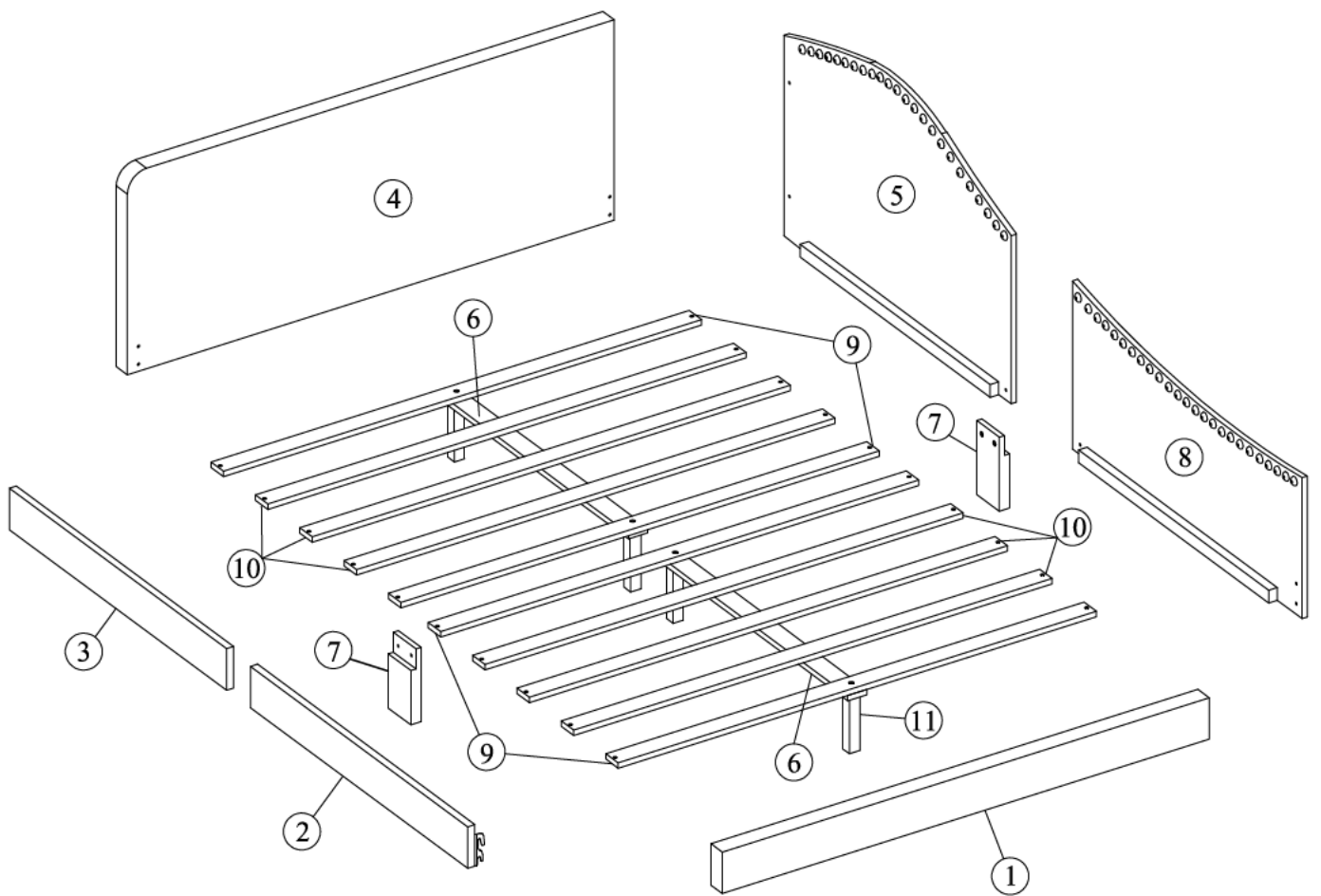


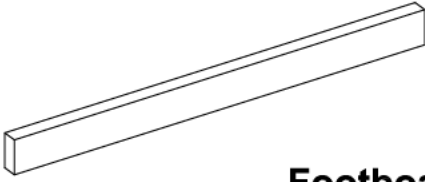

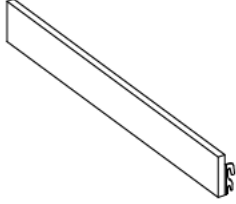
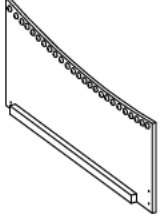
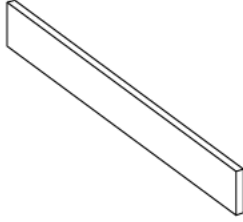
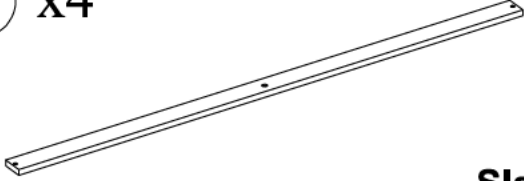
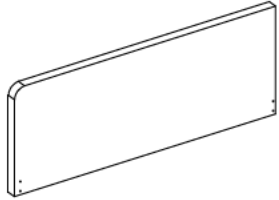
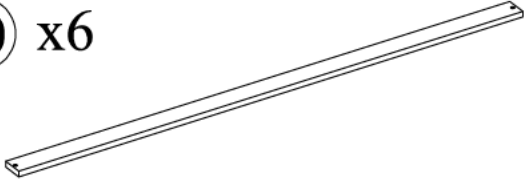
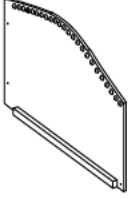
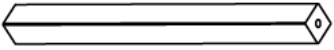
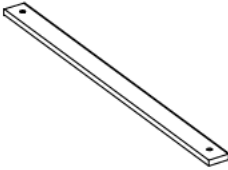
ASSEMBLY INSTRUCTION










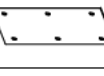

Detail:



Part List

<p>① x1</p>  <p>Footboard</p>	<p>⑦ x2</p>  <p>Leg</p>
<p>② x1</p>  <p>Side Rail</p>	<p>⑧ x1</p>  <p>Side Rail</p>
<p>③ x1</p>  <p>Side Rail</p>	<p>⑨ x4</p>  <p>Slats</p>
<p>④ x1</p>  <p>Headboard</p>	<p>⑩ x6</p>  <p>Slats</p>
<p>⑤ x1</p>  <p>Side Rail</p>	<p>⑪ x4</p>  <p>Support Leg</p>
<p>⑥ x2</p>  <p>Mid support slat</p>	

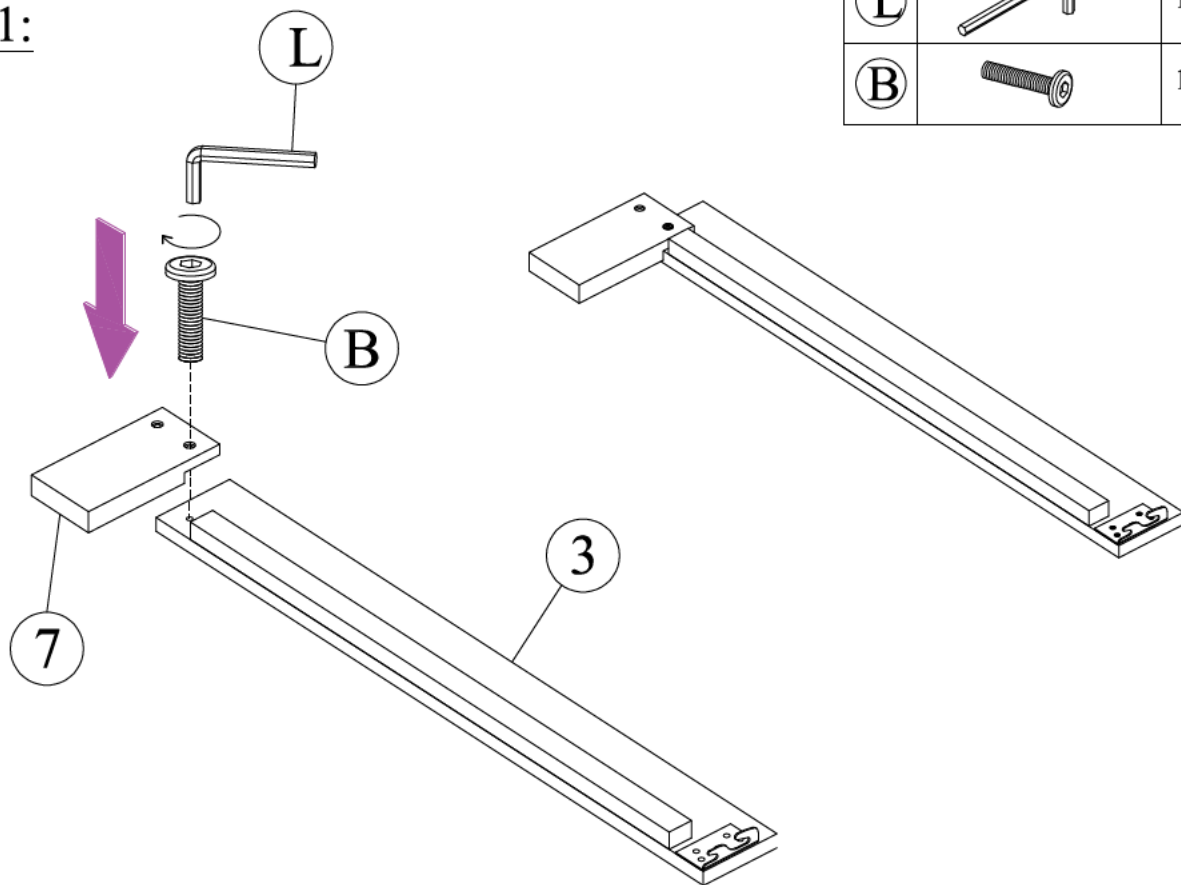
Hardware List (



No.	OUTLOOK	DESC	QTY
A		Bolts M6*15mm	6pcs
B		Bolts M6*25mm	12pcs
C		Bolts M6*30mm	4pcs
D		Bolts M6*50mm	4pcs
E		Flat head screw #8*25mm	36pcs
F		Washer	8pcs
G		Leg Metal	4pcs
H		Metal Rectang	1pc
L		Allen key 60*22*4mm	1pc

ASSEMBLY TOOLS REQUIRED (NOT INCLUDED)

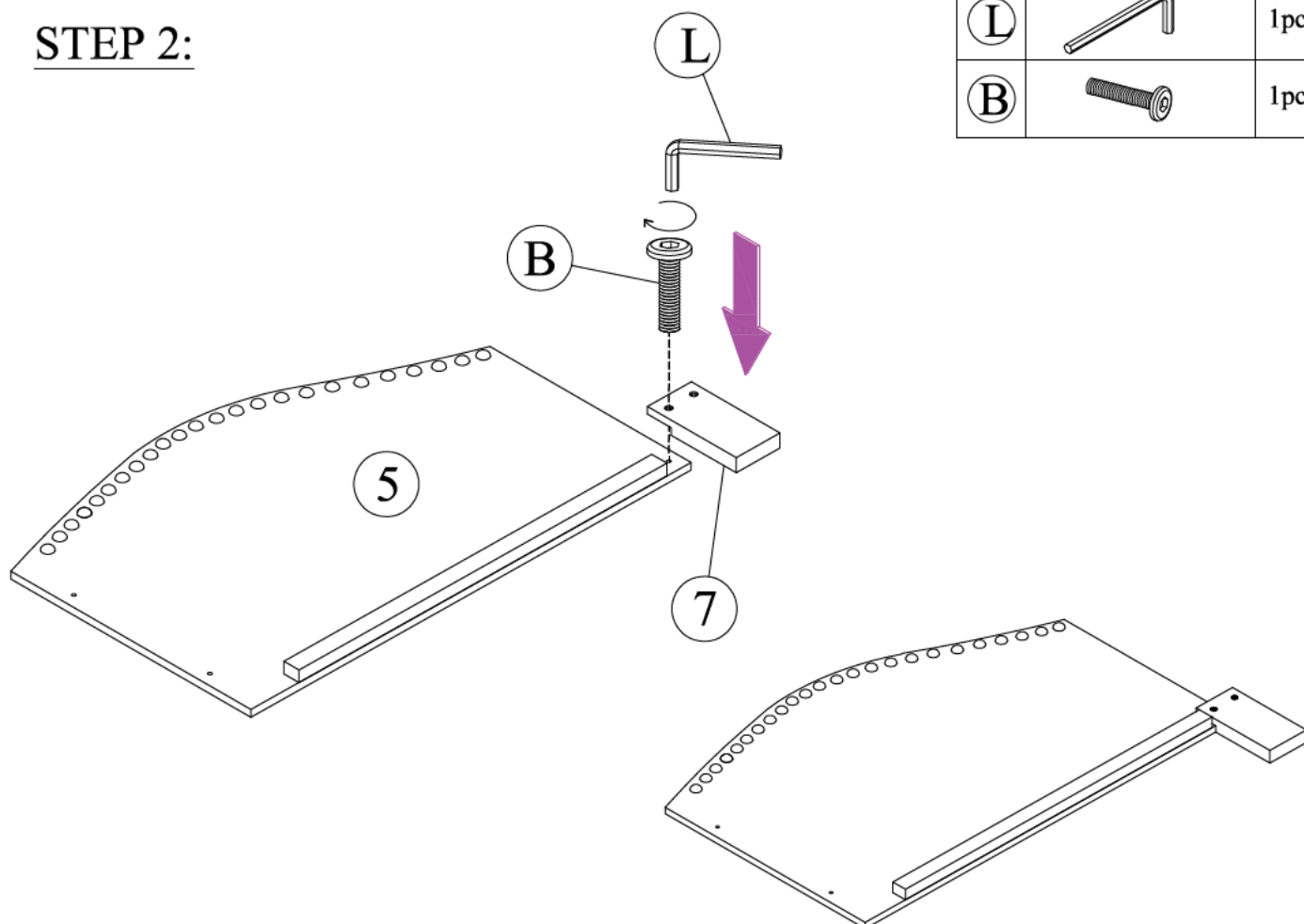




STEP 1:







(L)		1pc
(B)		1pc

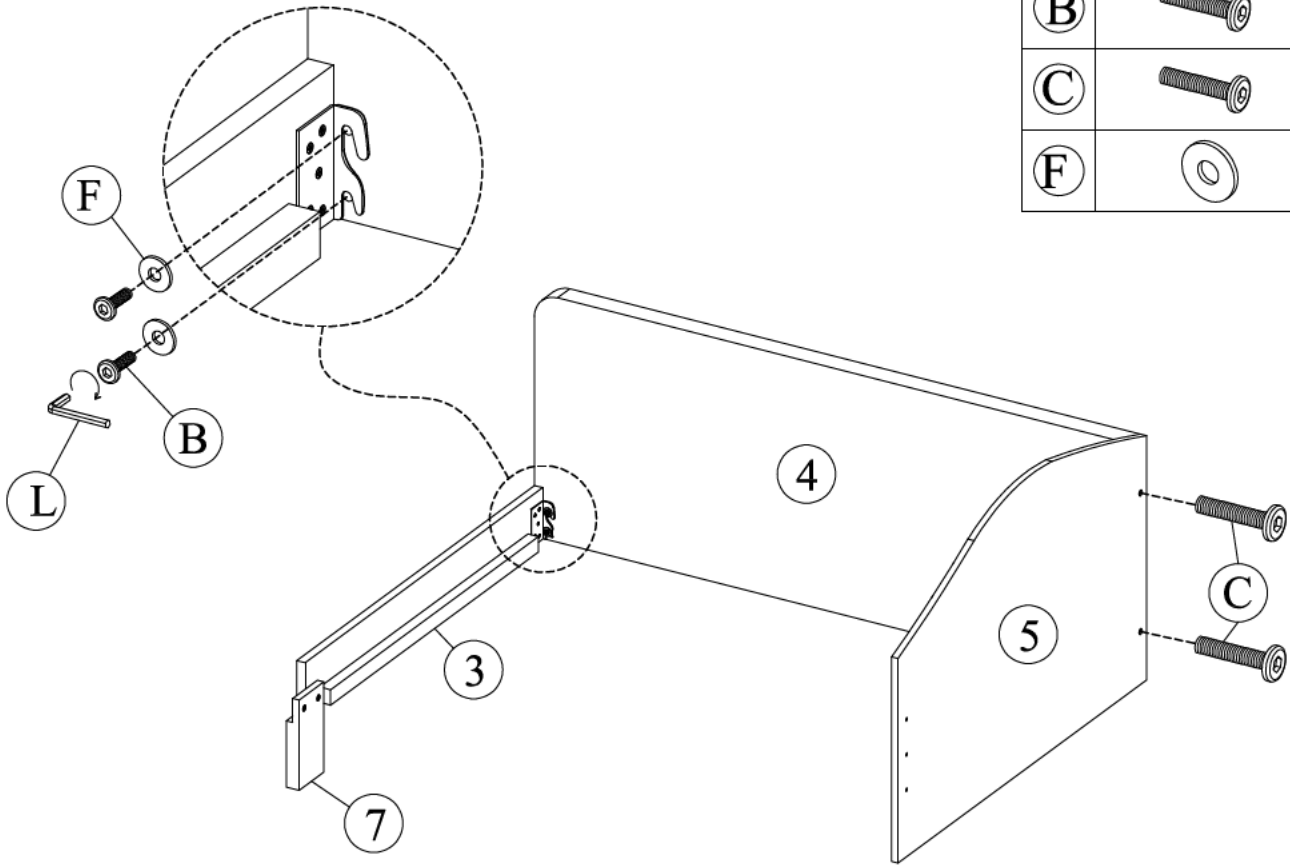
STEP 2:



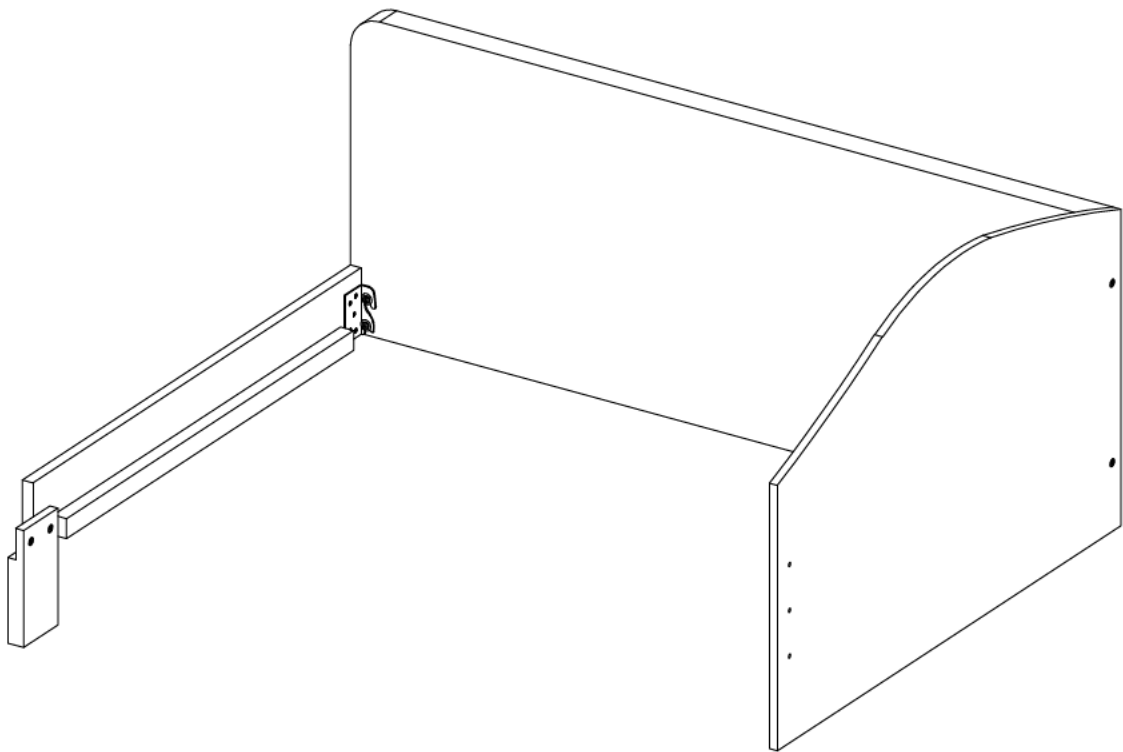
(L)		1pc
(B)		1pc

STEP 3:

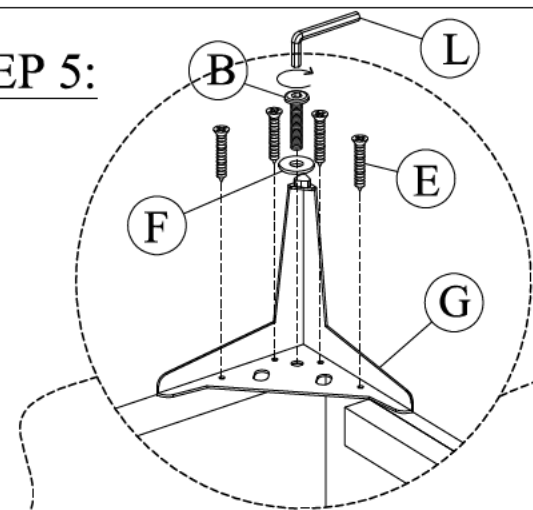
(L)		1pc
(B)		2pcs
(C)		2pcs
(F)		2pcs



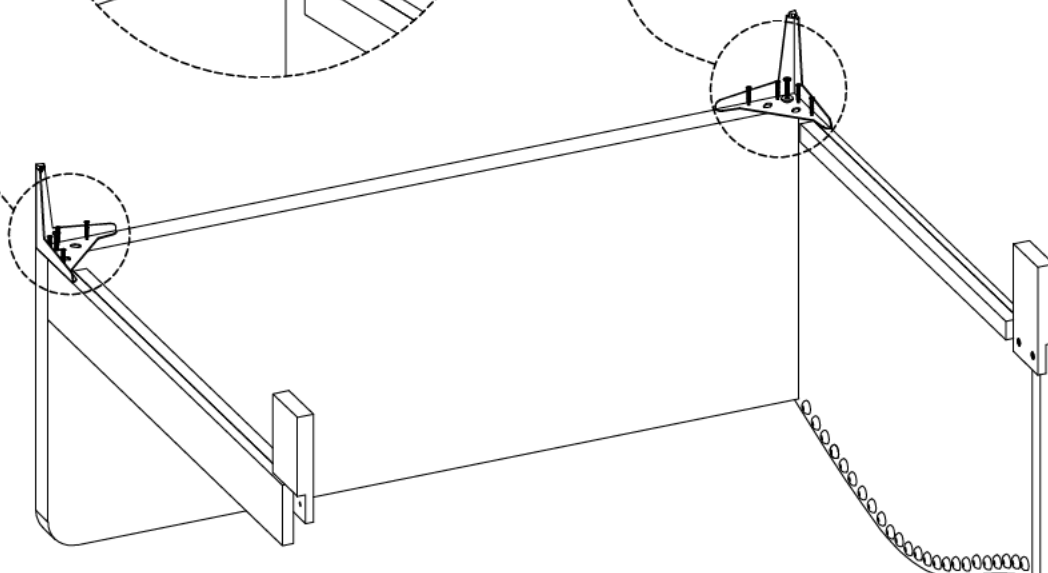
STEP 4:



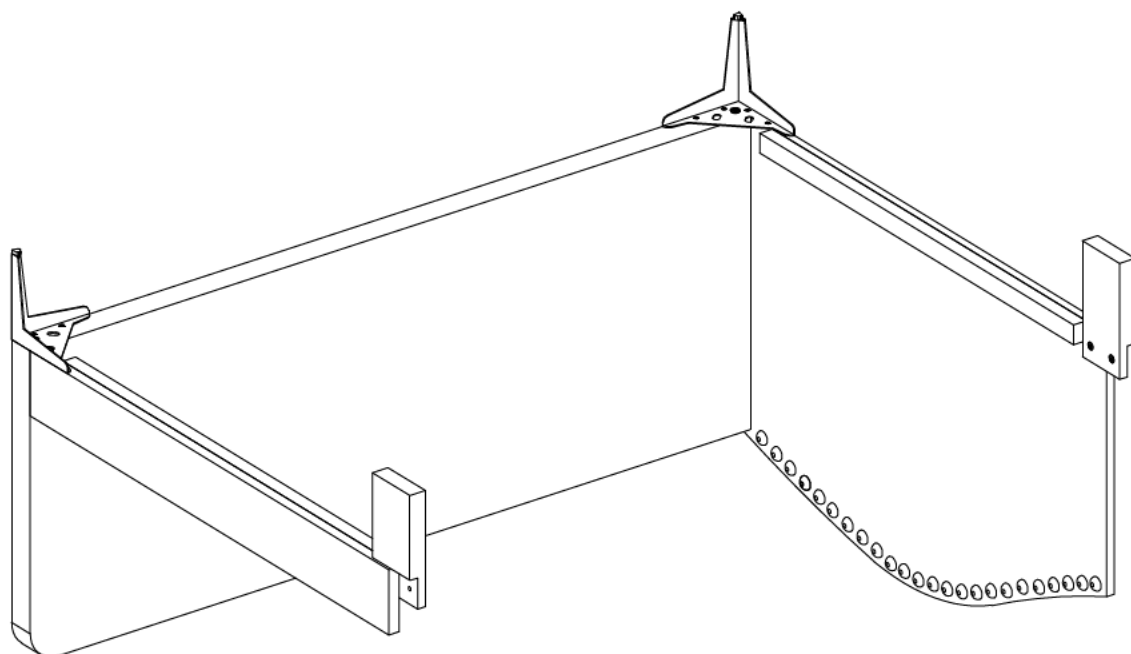
STEP 5:







(L)		1pc
(B)		2pcs
(E)		8pcs
(F)		2pcs
(G)		2pcs

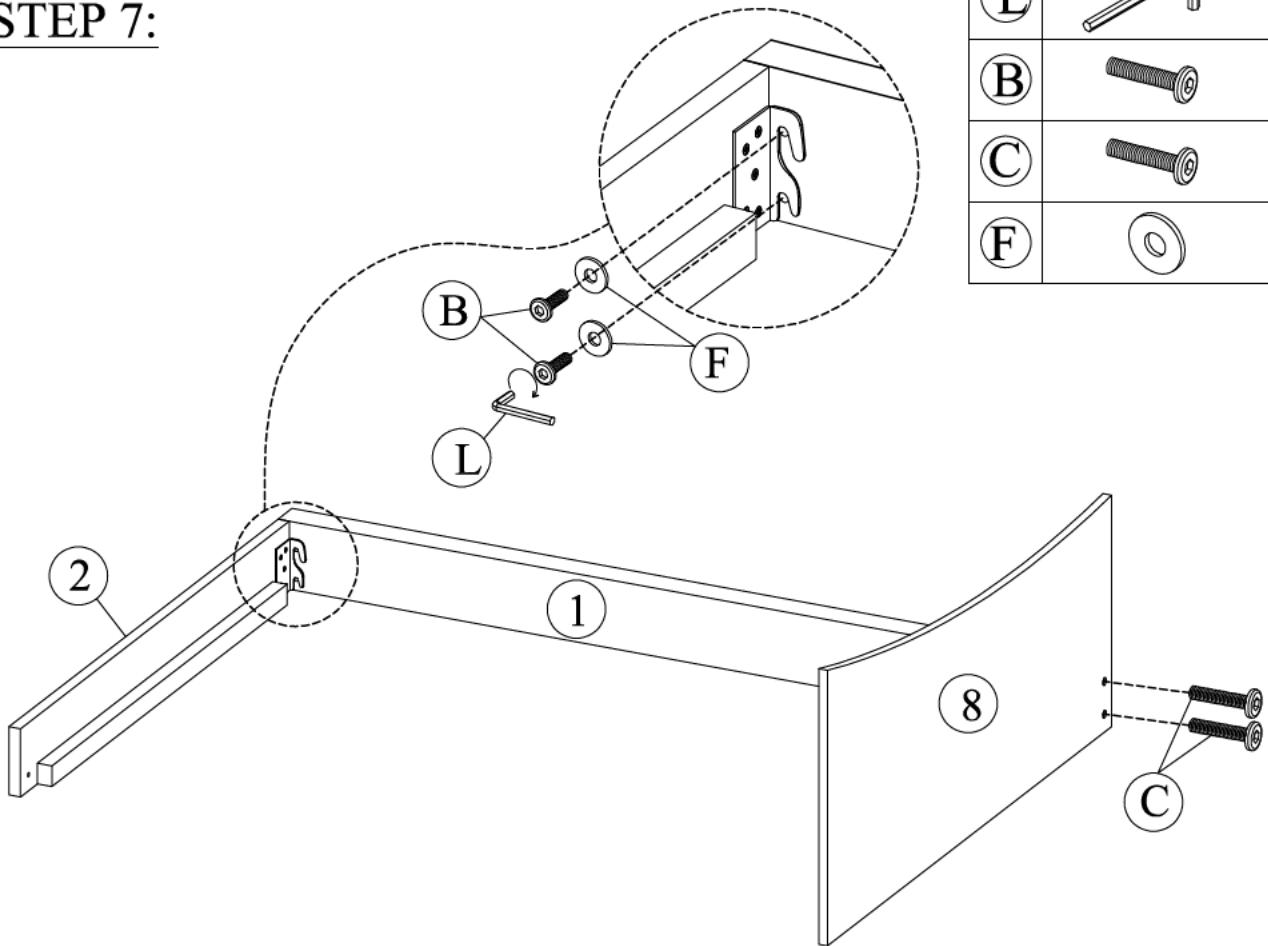


STEP 6:

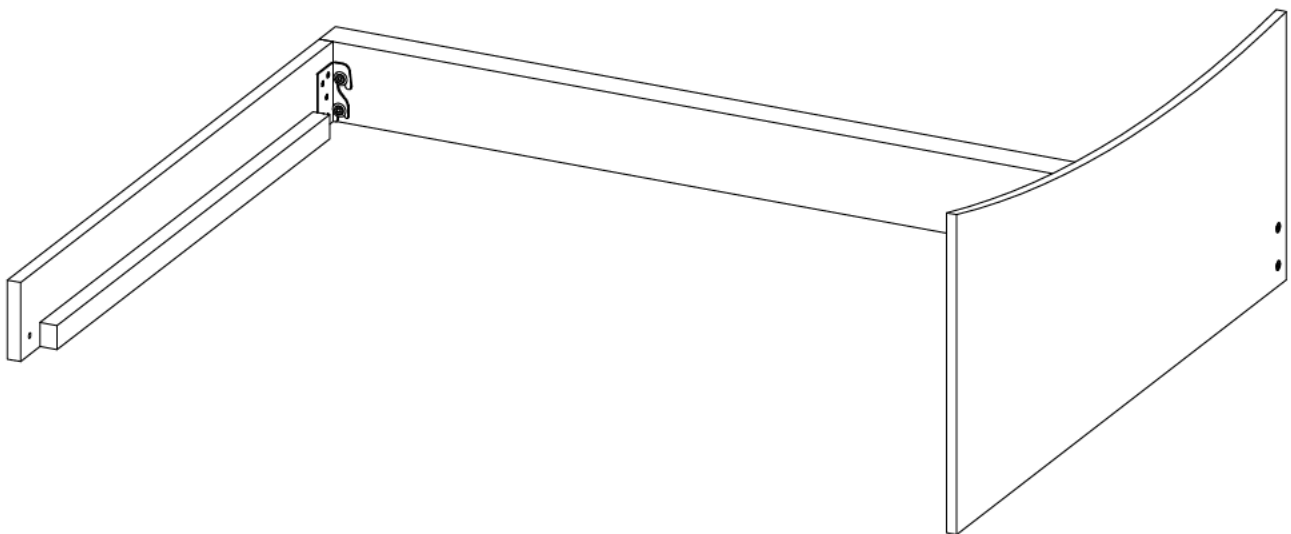


STEP 7:

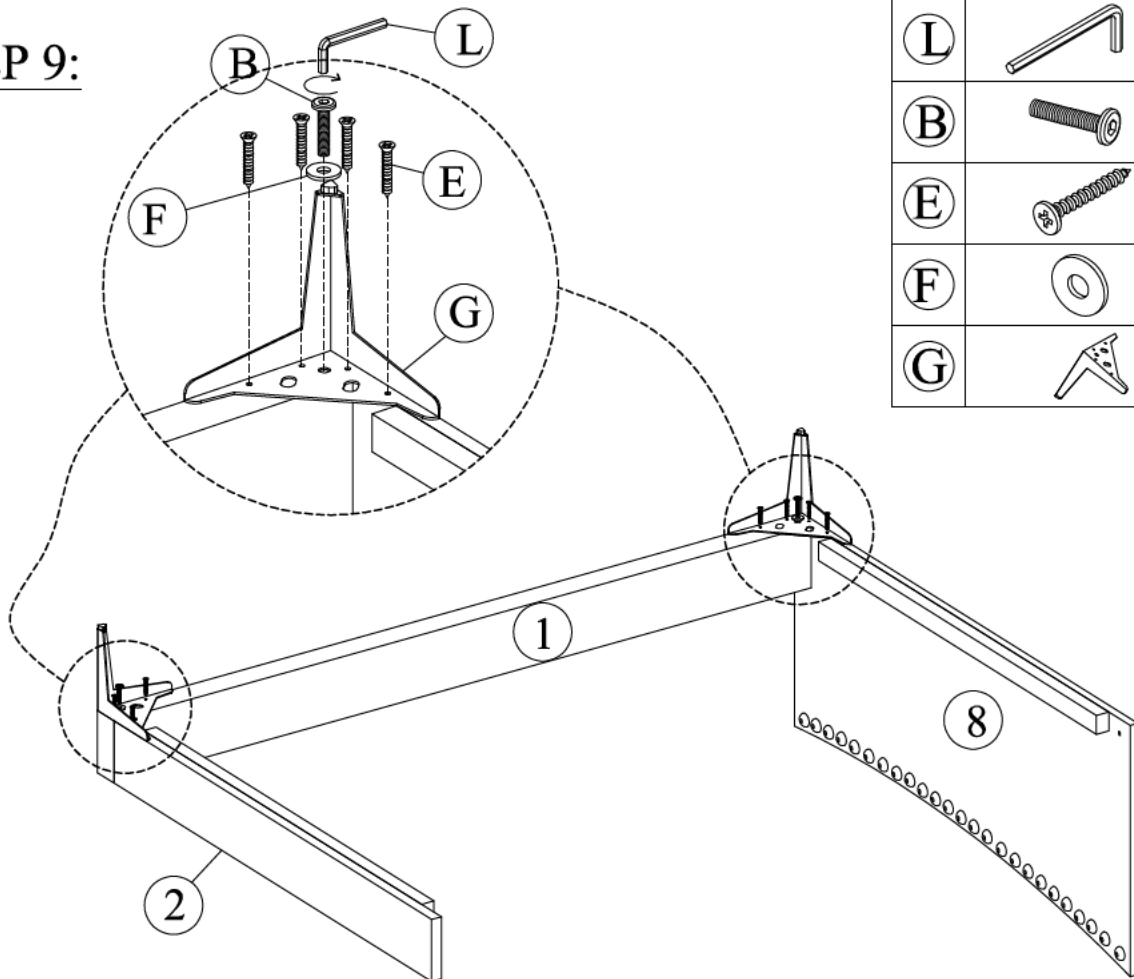
(L)		1pc
(B)		2pcs
(C)		2pcs
(F)		2pcs



STEP 8:

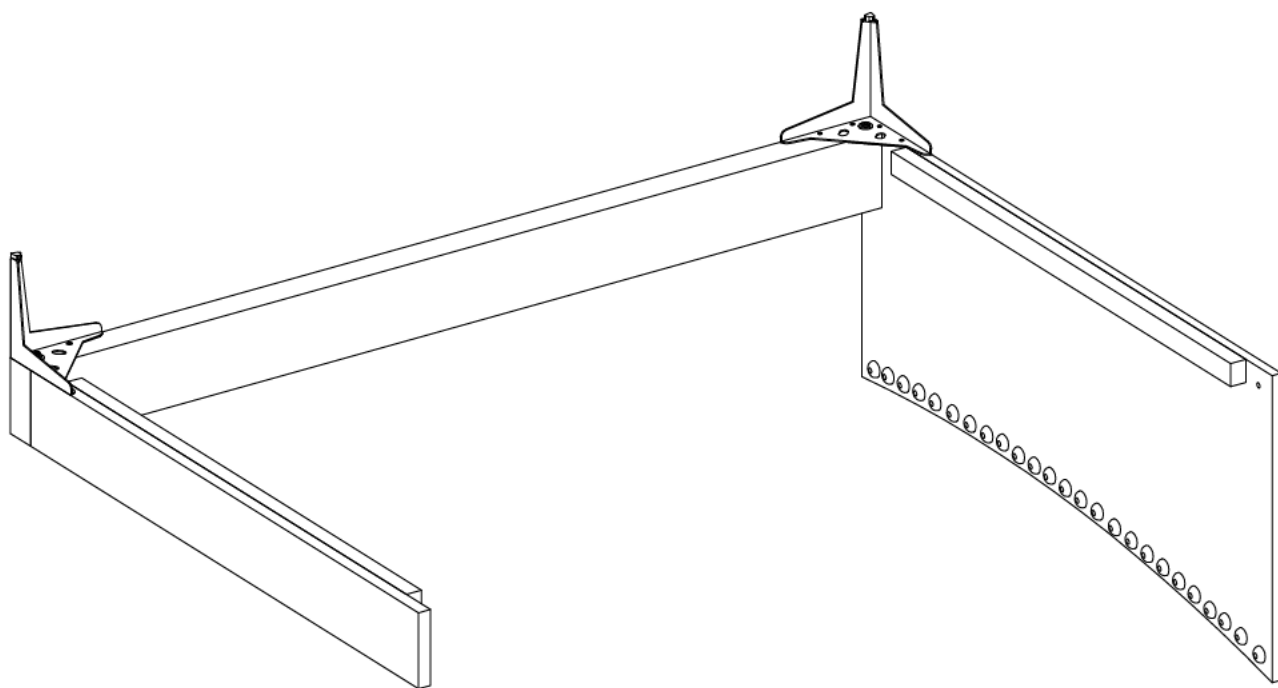


STEP 9:

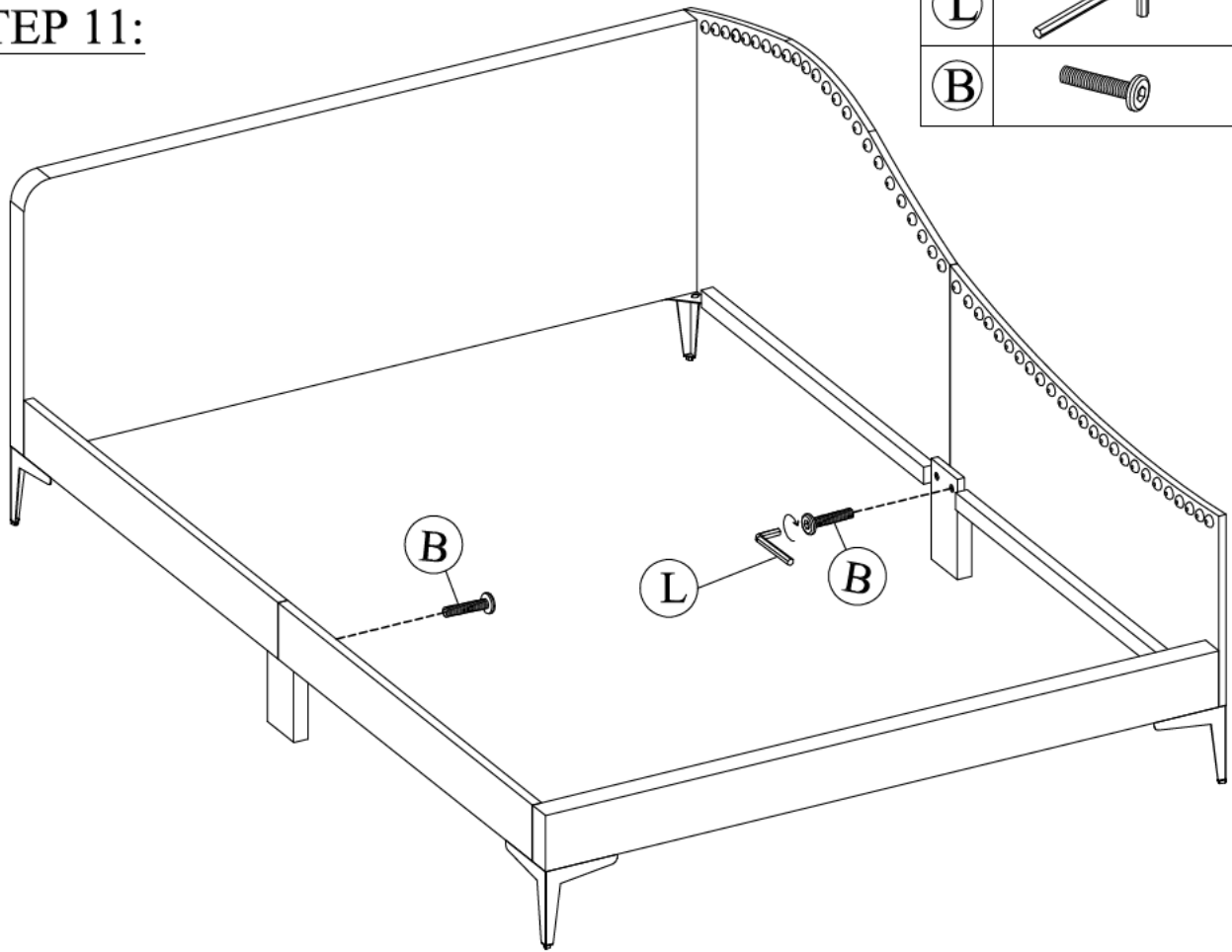




(L)		1pc
(B)		2pcs
(E)		8pcs
(F)		2pcs
(G)		2pcs

STEP 10:

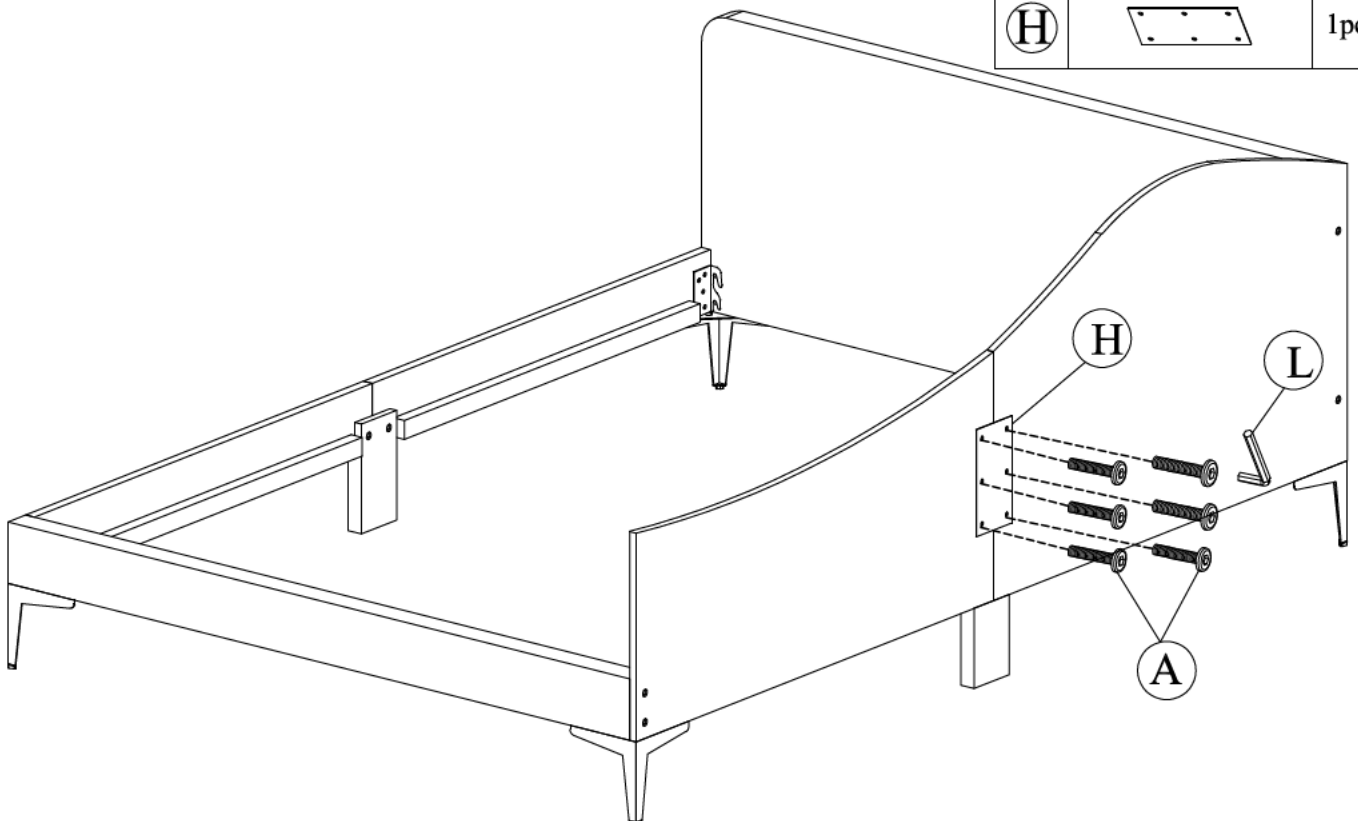




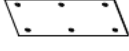
STEP 11:






(L)		1pc
(B)		2pcs

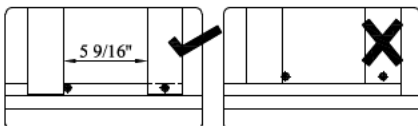
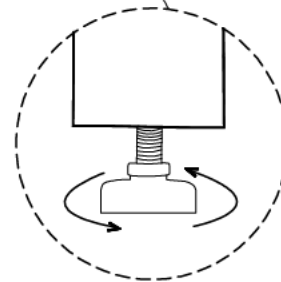
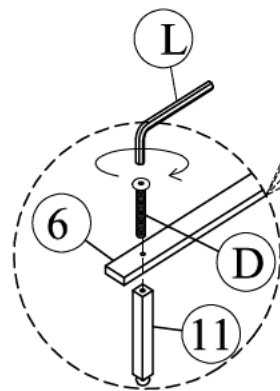
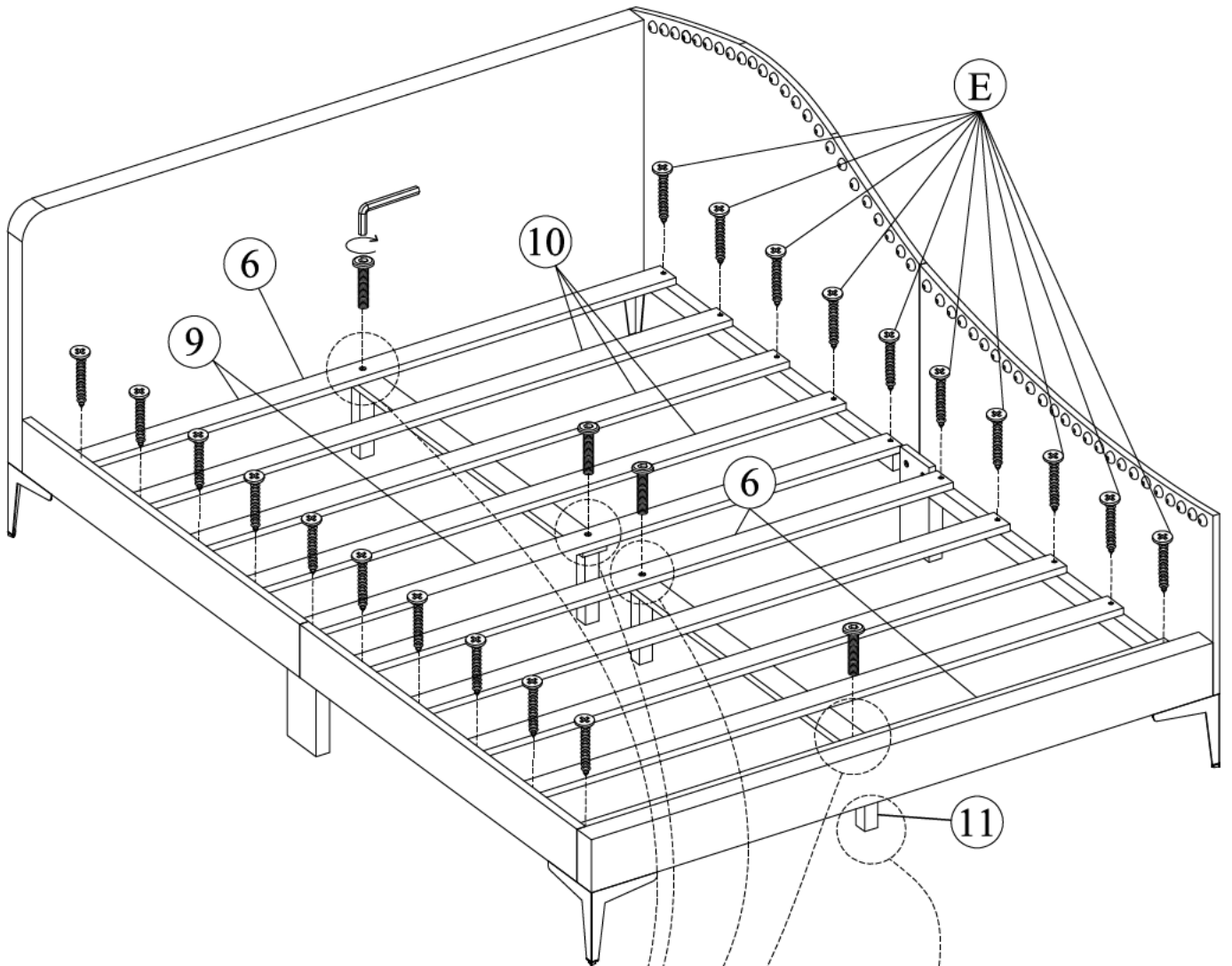
STEP 12:



(L)		1pc
(A)		6pcs
(H)		1pc

STEP 13:

(L)		1pc
(D)		4pcs
(E)		20pcs



FINAL:

