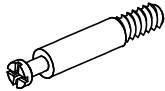
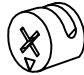
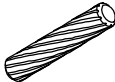

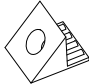

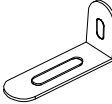


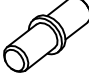

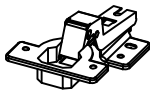

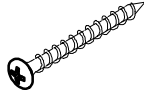
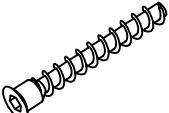
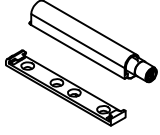
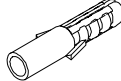
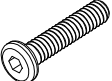
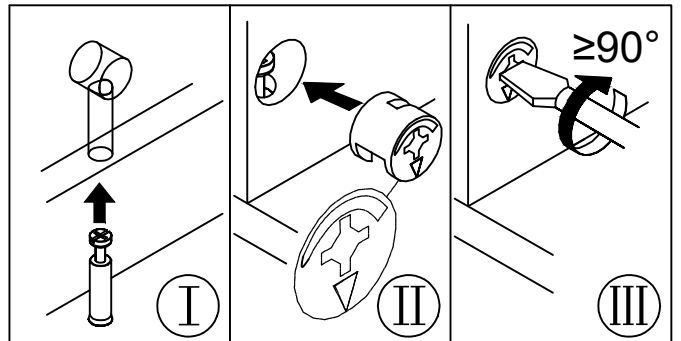
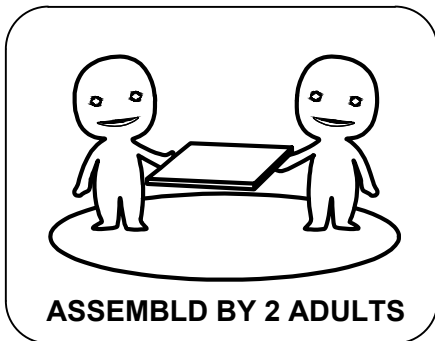
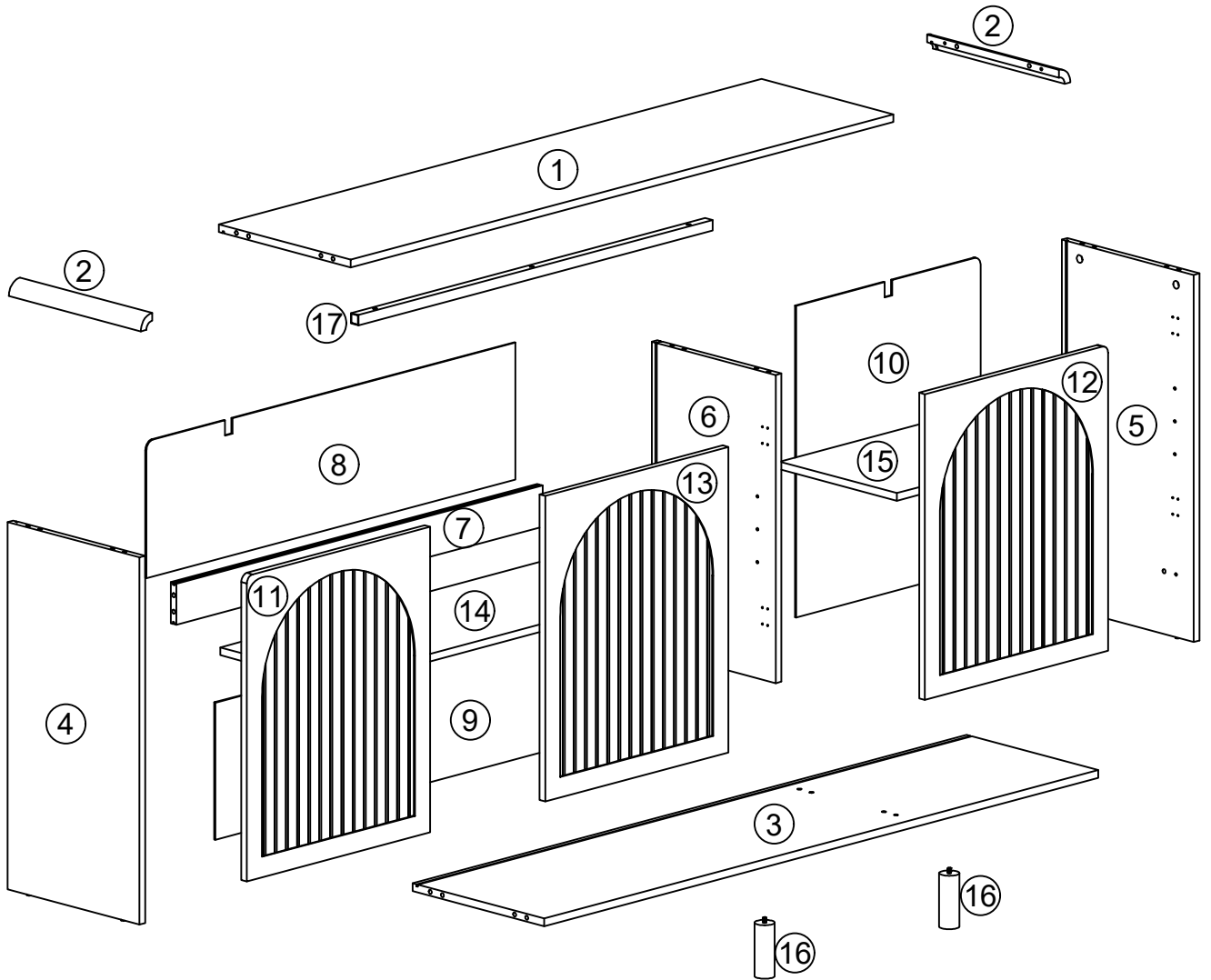
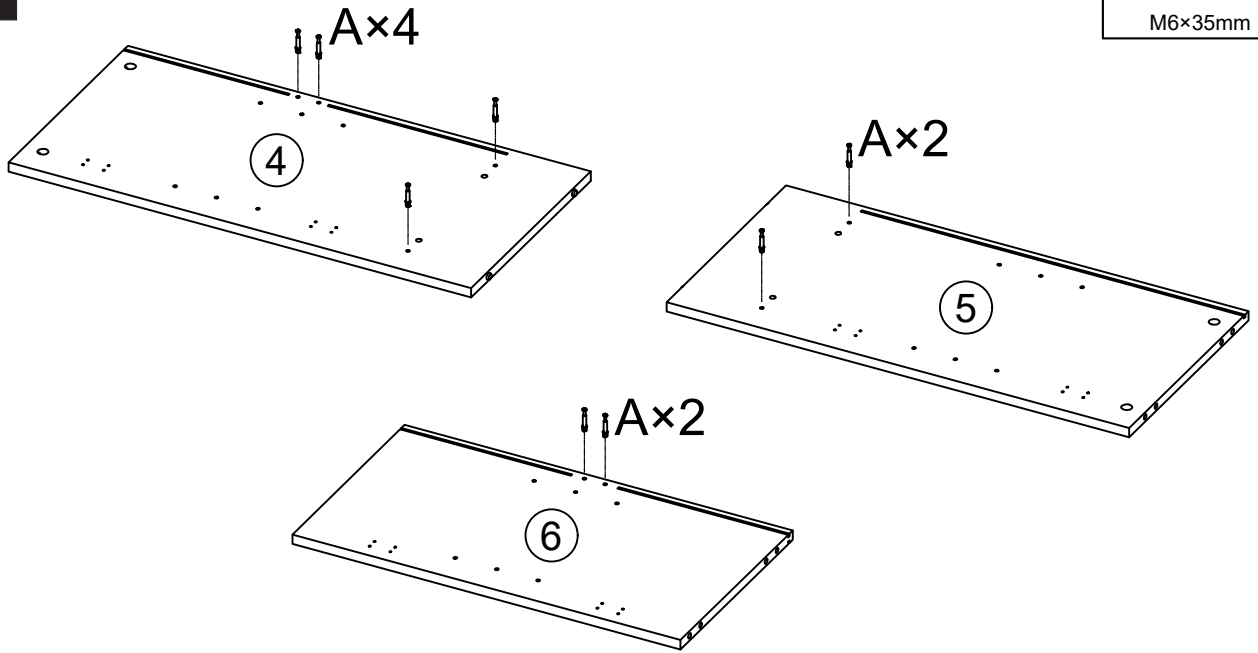


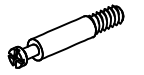
A×18PCS	B×18PCS	C×16PCS	D×52PCS	E×10PCS
 M6×35mm	 Ø15×12mm	 Ø8×30mm	 Ø3.5×14mm	
F×6PCS	G×2PCS	H×2PCS	J×2PCS	K×8PCS
		 Ø4×14mm		 Ø5×19mm
L×1PC	M×4PCS	N×2PCS	P×2PCS	Q×2PCS
 M4mm			 Ø4×35mm	 Ø6×50mm
R×3PCS	S×2PCS	T×3PCS		
	 Ø6×30mm	 M6×30mm		



1.

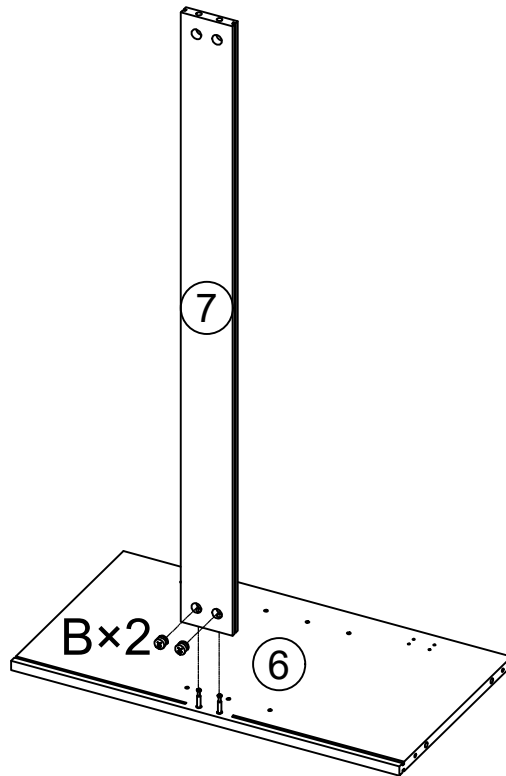


A x 8 PCS



M6 x 35mm




2.



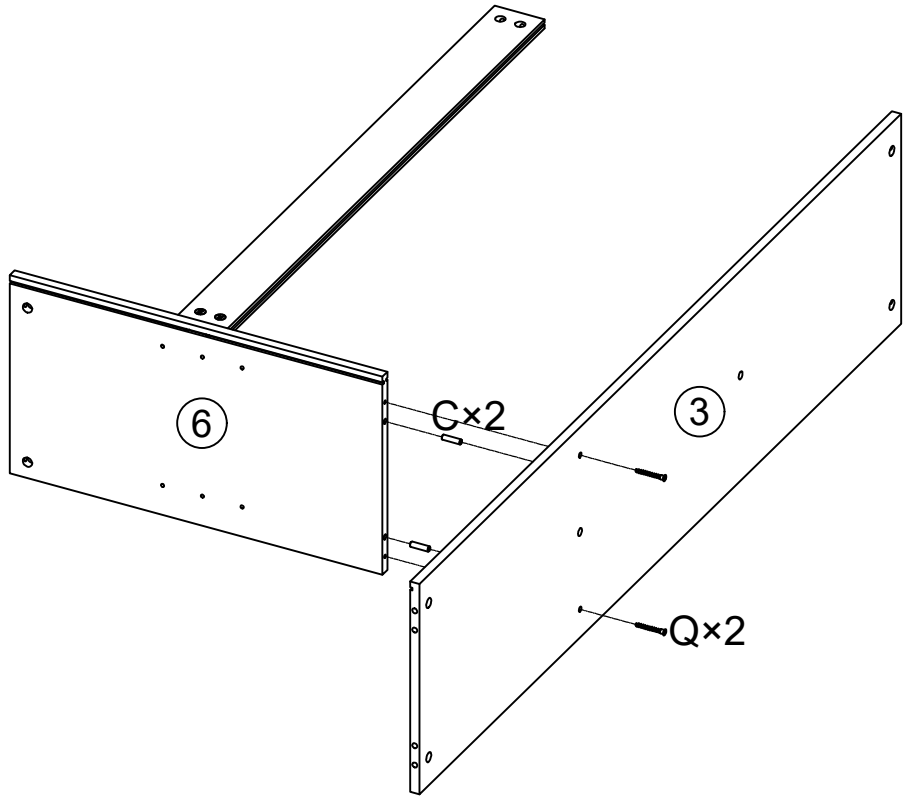
B x 2 PCS



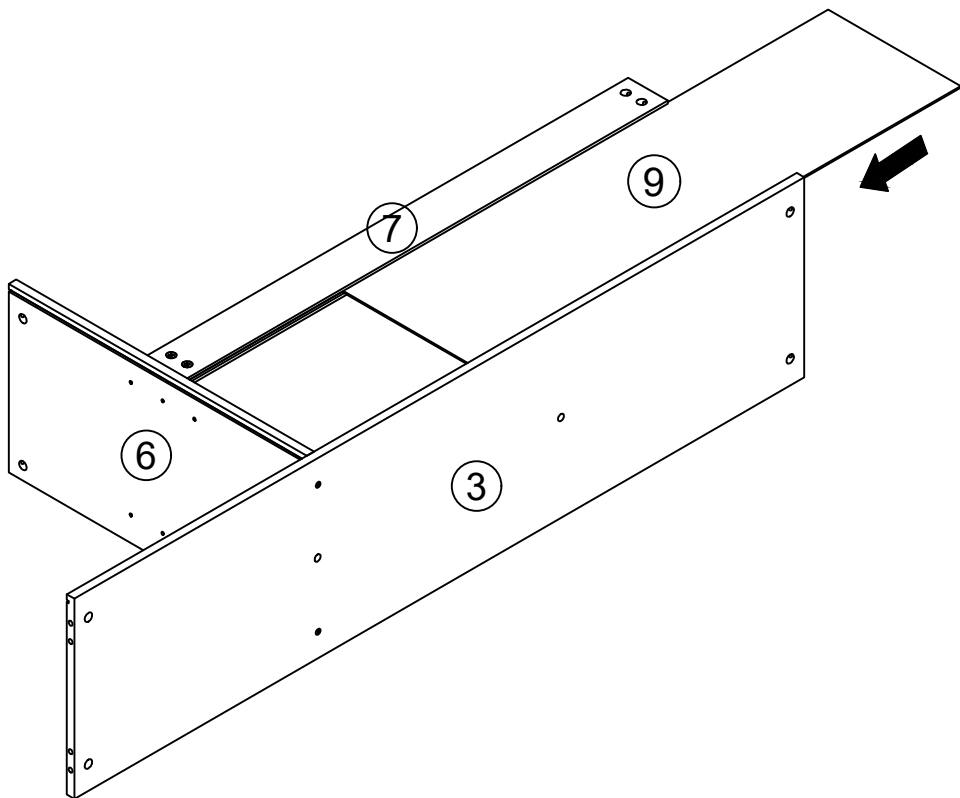
Ø15 x 12mm

C×2PCS	Q×2PCS	L×1PC
		
Ø8×30mm	Ø6×50mm	M4mm

3.



4.



5.

B×4PCS

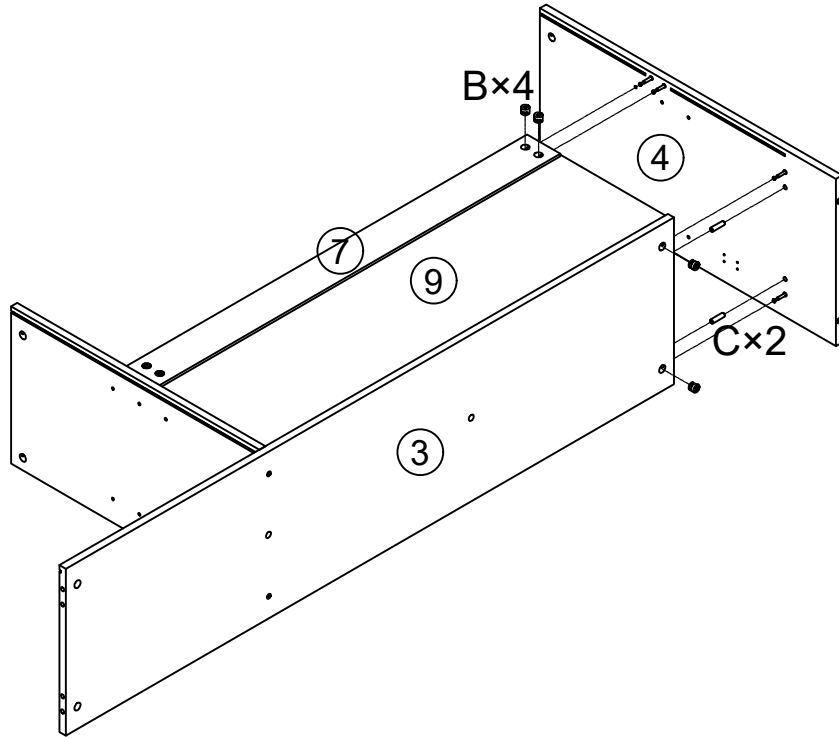
C×2PCS



Ø15×12mm



Ø8×30mm



6.

B×2PCS

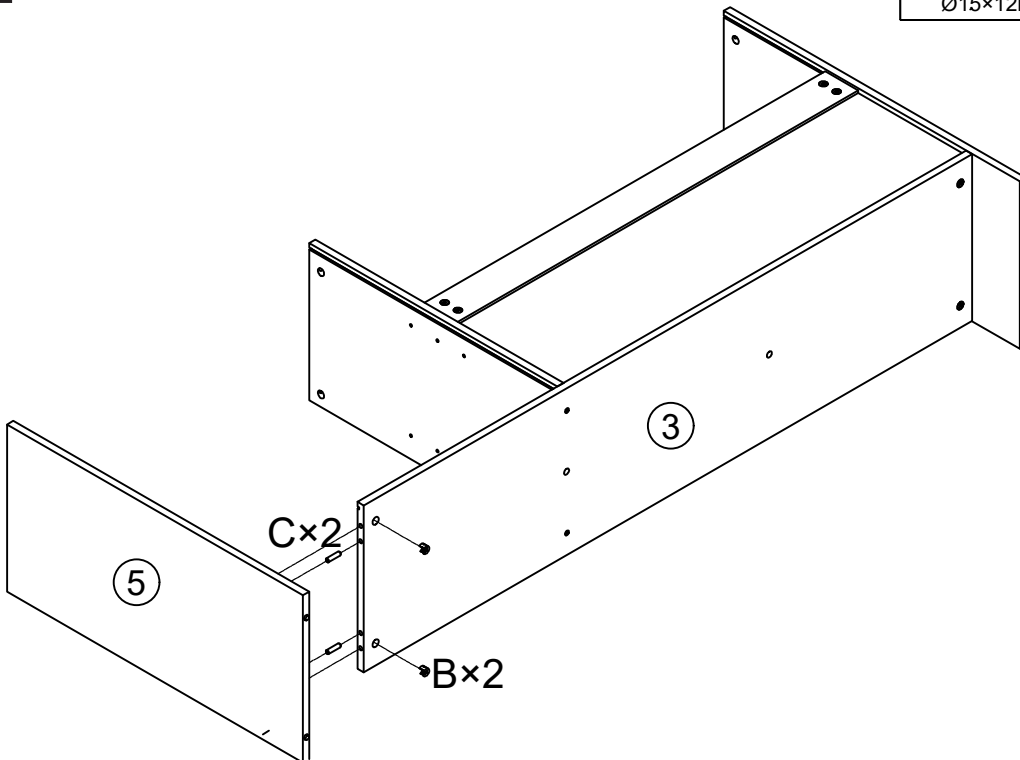
C×2PCS

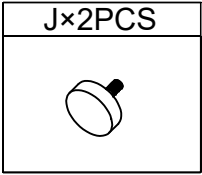


Ø15×12mm

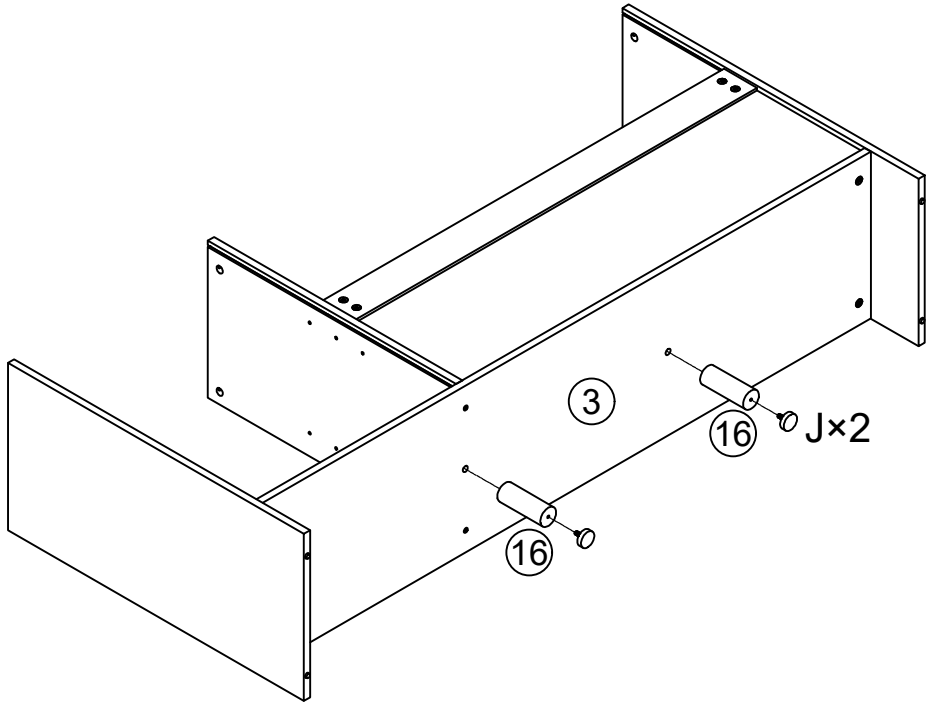


Ø8×30mm

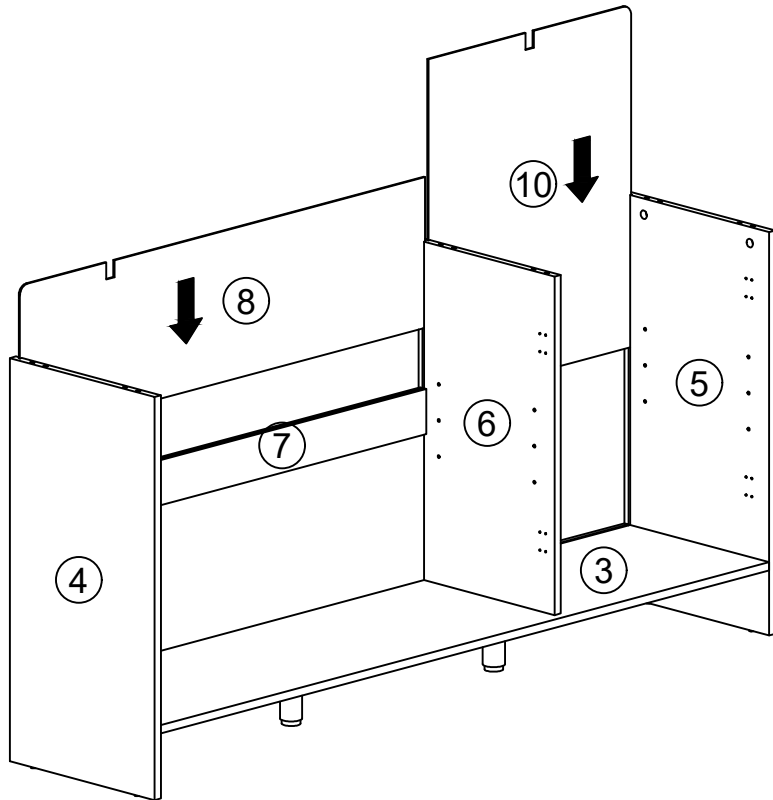






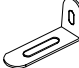

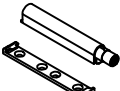
7.

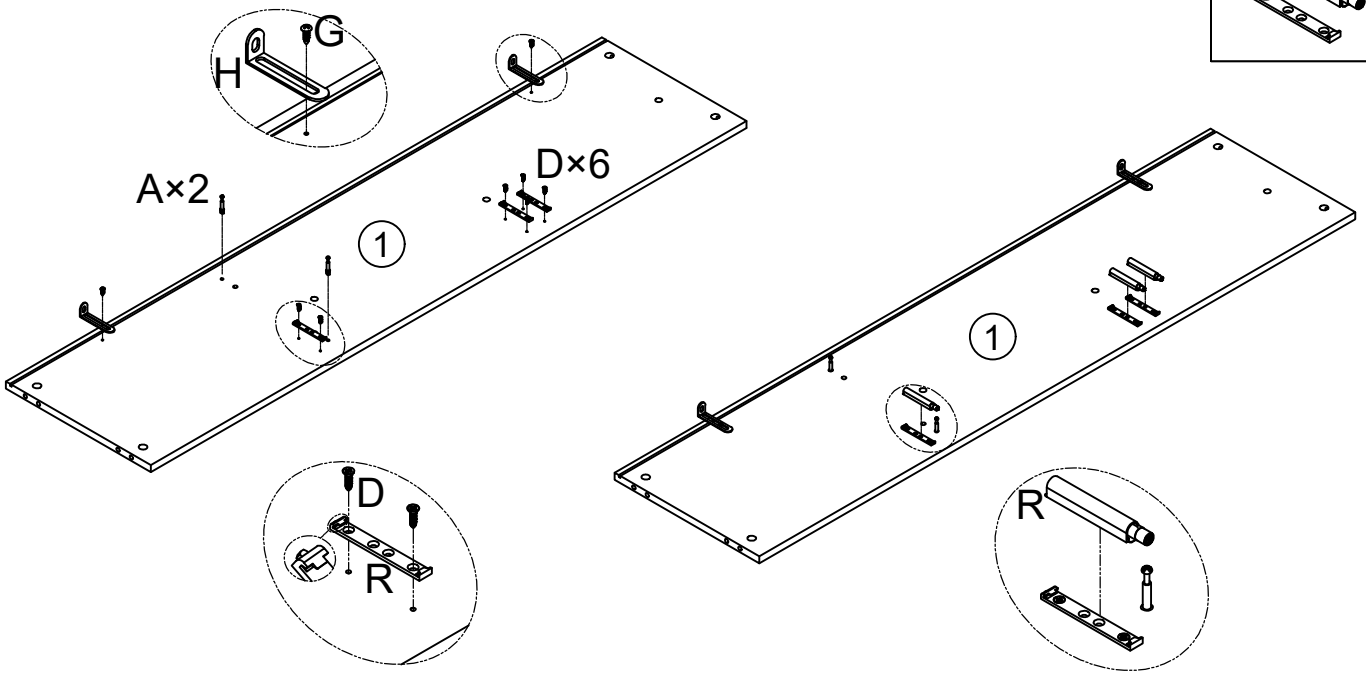


8.

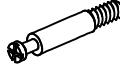






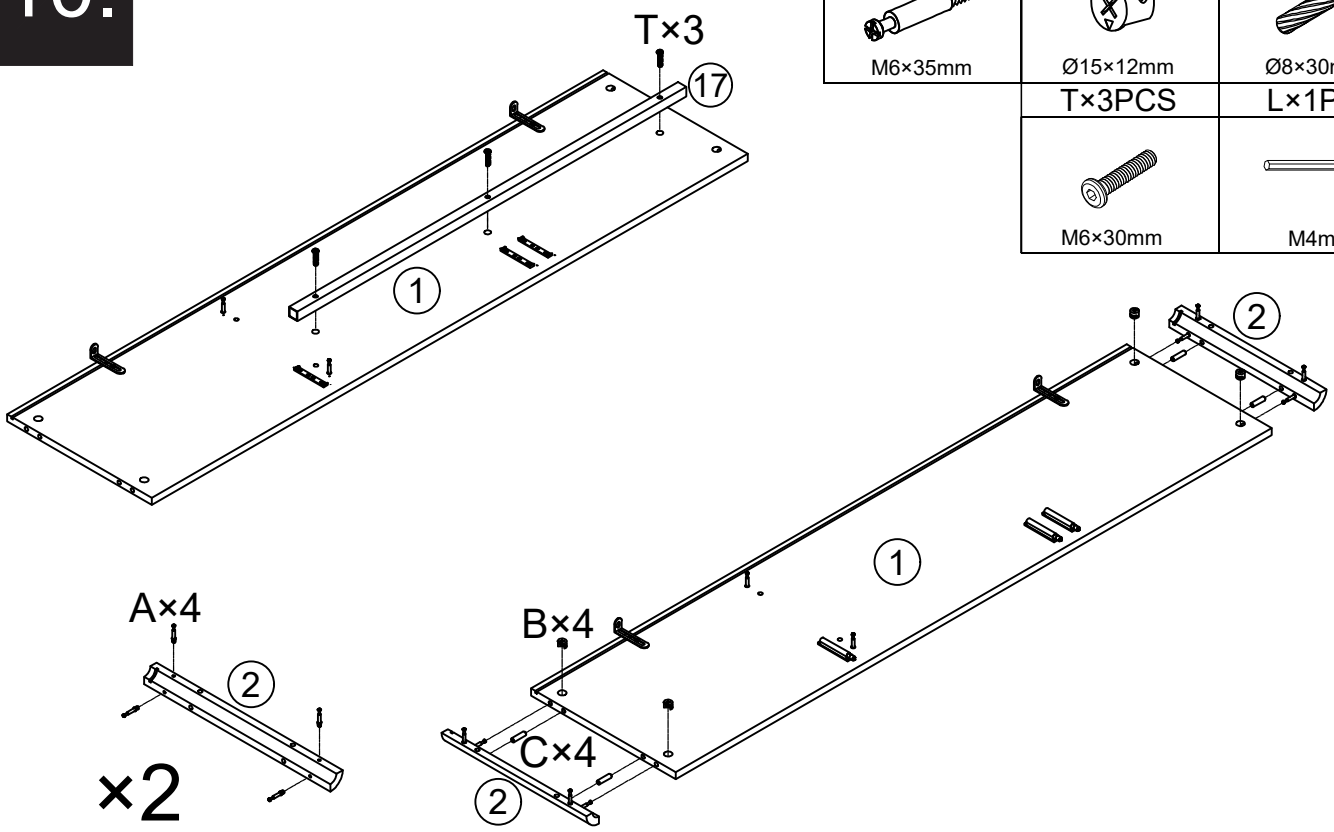
9.




A×2PCS  M6×35mm	D×6PCS  Ø3.5×14mm	G×2PCS 	H×2PCS  Ø4×14mm
			R×3PCS 



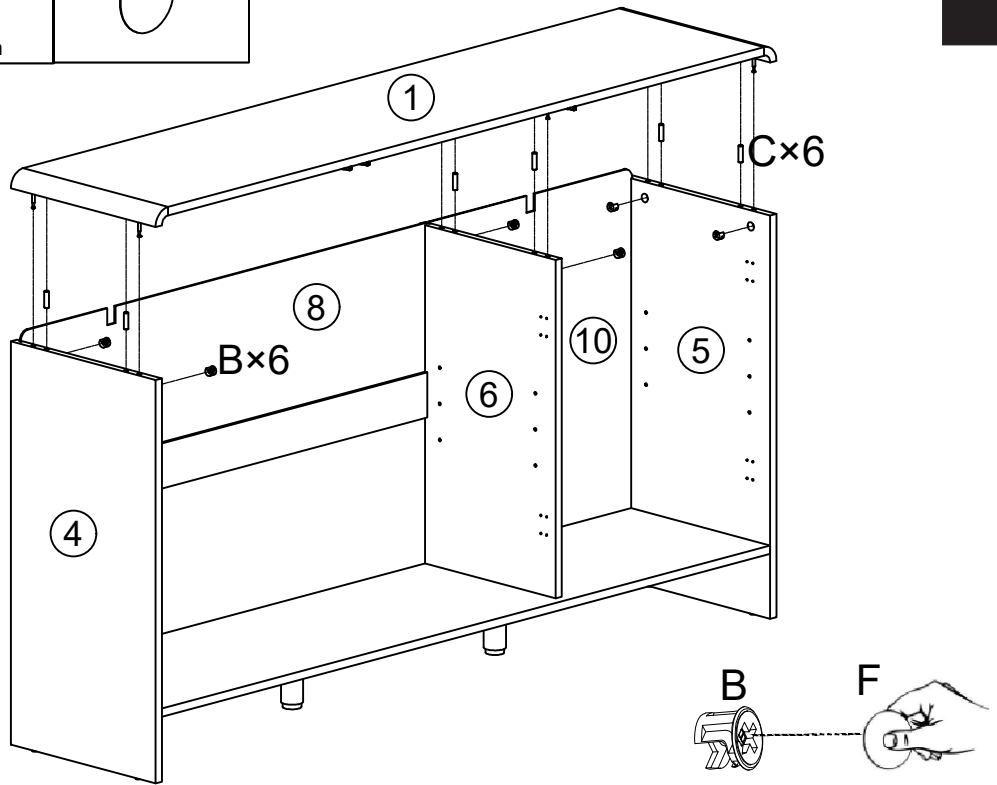
10.


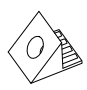
A×8PCS  M6×35mm	B×4PCS  Ø15×12mm	C×4PCS  Ø8×30mm
		L×1PC  M4mm
		T×3PCS  M6×30mm



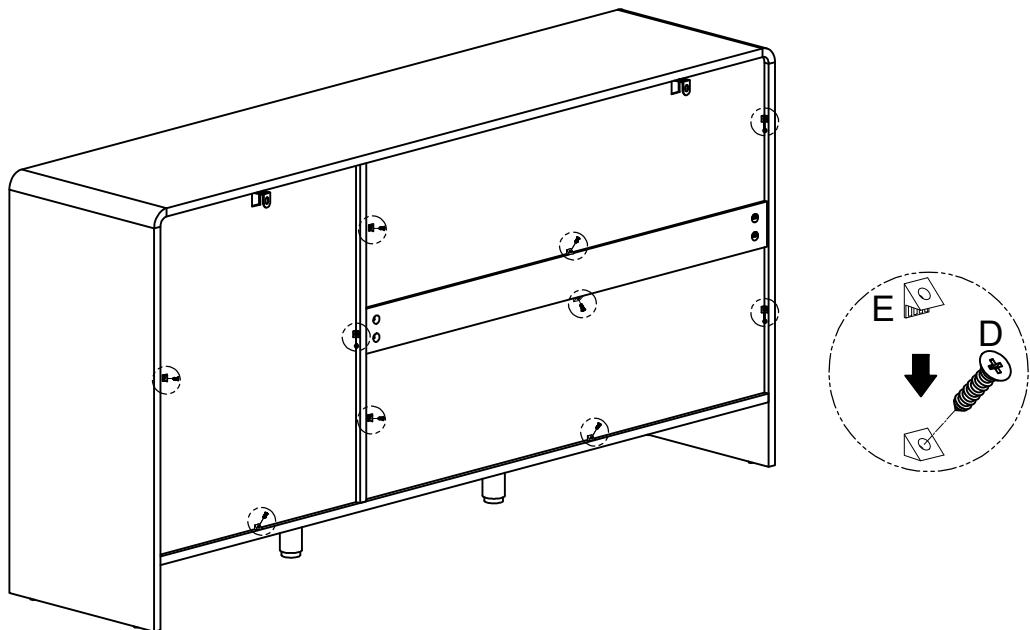
B×6PCS	C×6PCS	F×6PCS
		
Ø15×12mm	Ø8×30mm	

11.



D×10PCS	E×10PCS
	
Ø3.5×14mm	

12.



13.

P×2PCS

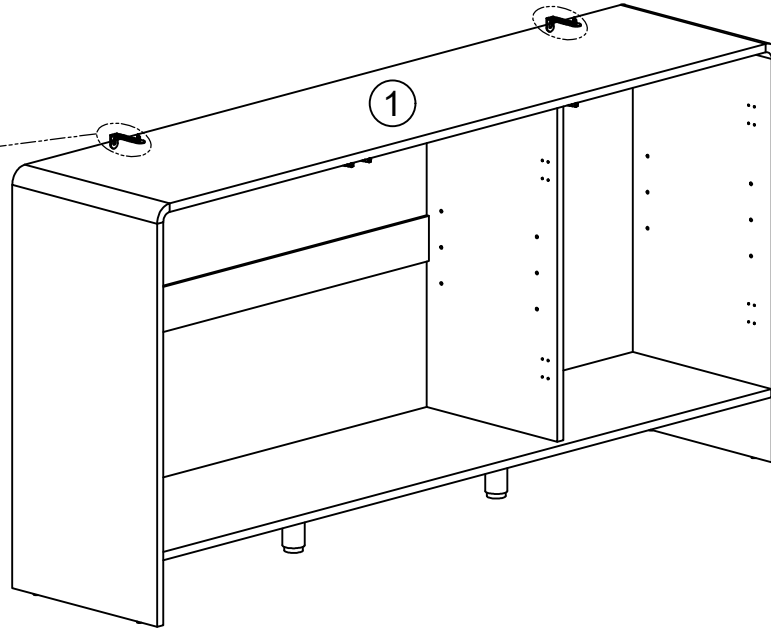
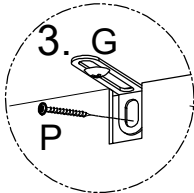
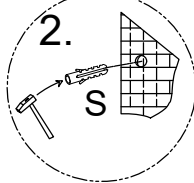
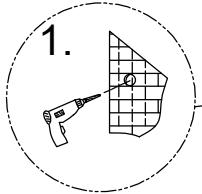
S×2PCS



Ø4×35mm



Ø6×30mm



14.

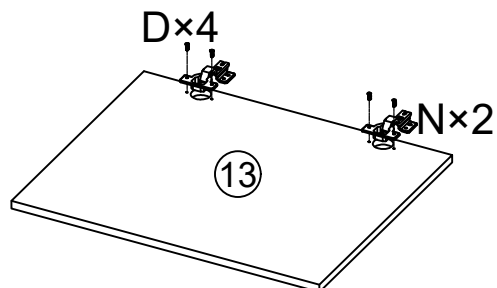
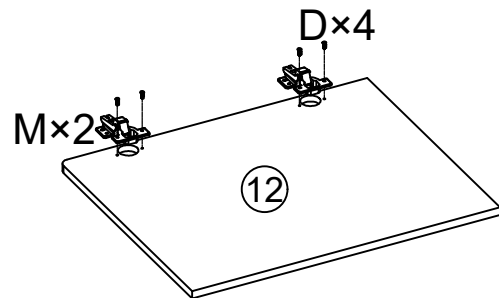
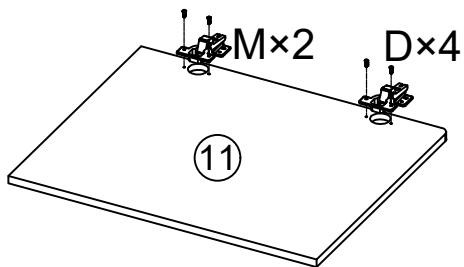
D×12PCS

M×4PCS

N×2PCS



Ø3.5×14mm

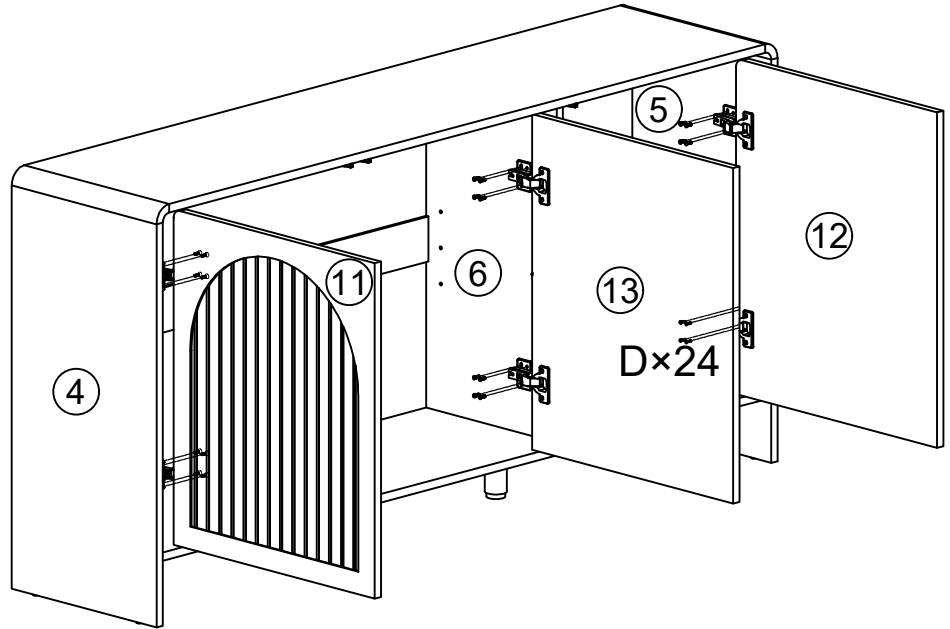
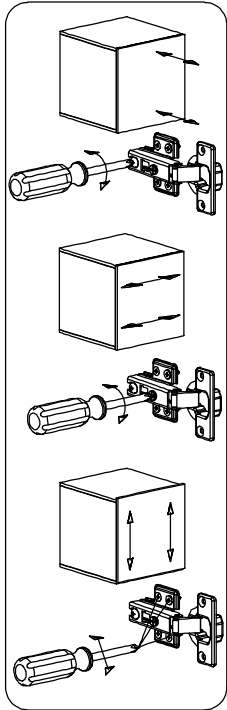


D×24PCS



Ø3.5×14mm

15.



K×8PCS



Ø5×19mm

16.

