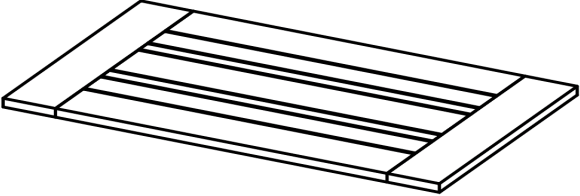

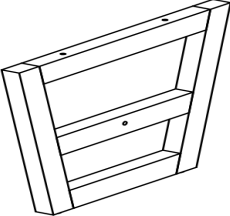

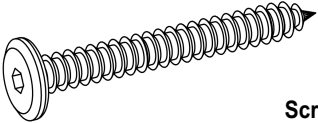
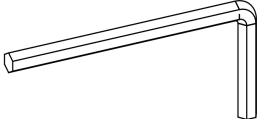


Hello! Please read these important attentions...

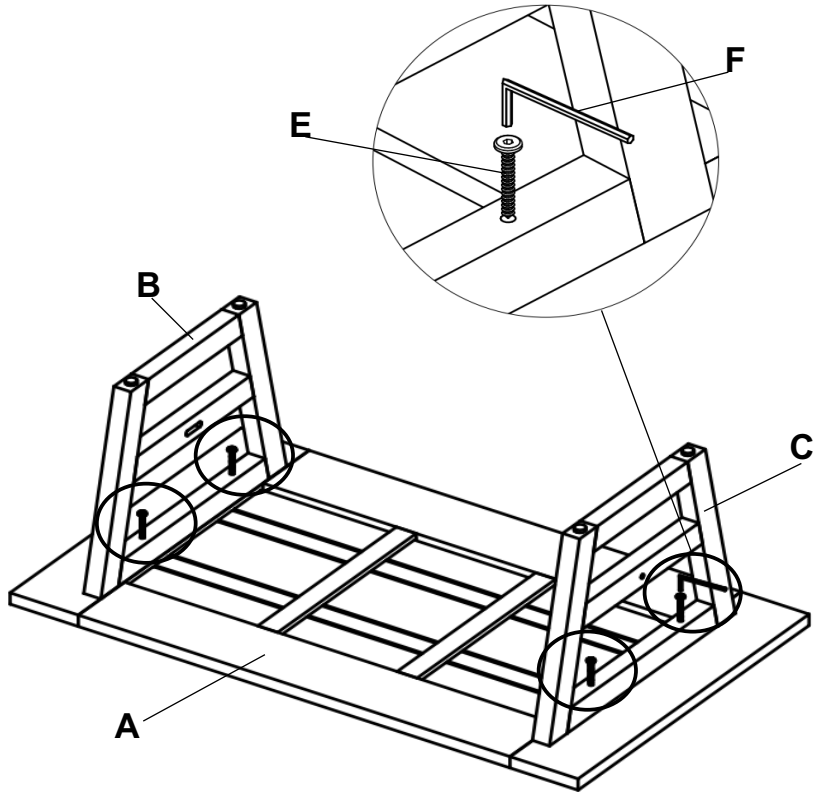
Please put a thick carpet on the ground to protect the furniture finish and corners. During the installation process, **DON' T** fasten screws tight 100% at a time.

ASSEMBLY INSTRUCTION

NUMBER	COMPONENT	QUANTITY
A	 <p>TABLE TOP</p>	1
B	 <p>LEFT LEG PANNEL</p>	1
C	 <p>RIGHT LEG PANLE</p>	1
D	 <p>SUPPORT BAR</p>	1
E	 <p>Screw (6x50mm)</p>	7
F	 <p>Allen Wrench</p>	2

ASSEMBLY INSTRUCTION

①



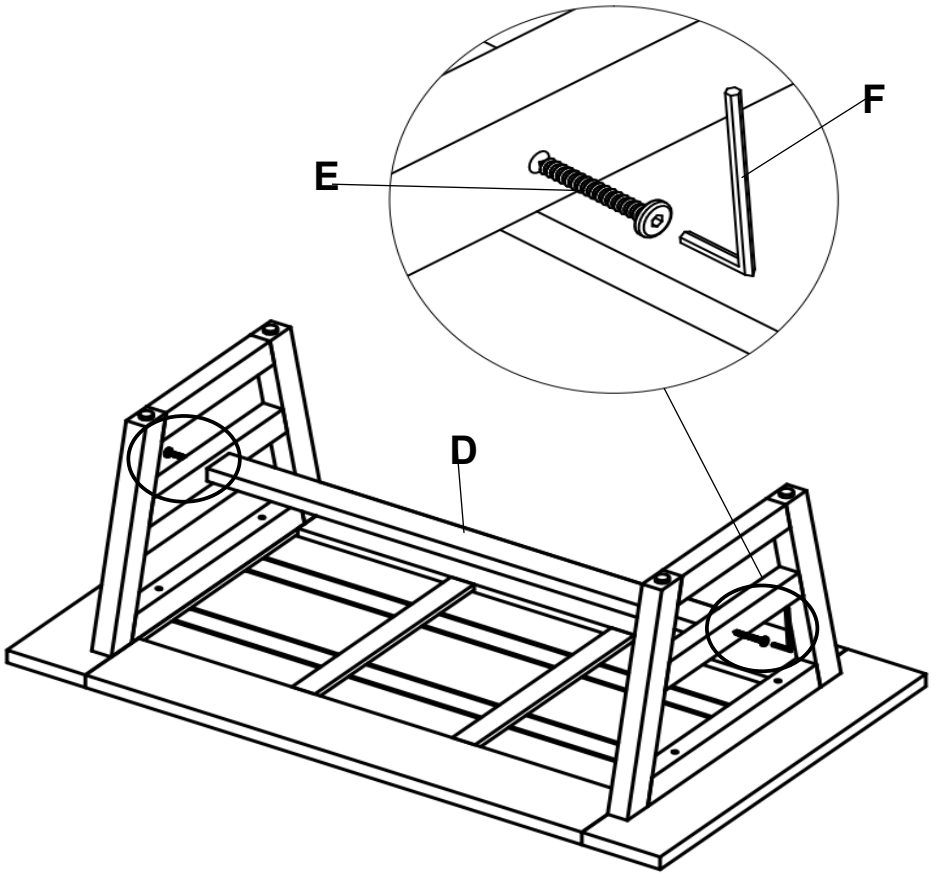
With the help of your adult partner, place the Table Top (A) with its underside skywards onto a clean surface as shown above.

Then attach the Right Leg Panel (C) and Left Leg Panel (B) to the Table Top (A) by using Screw (E) and Allen Wrench (F) as shown above.

Note : only eighteen 80%.

ASSEMBLY INSTRUCTION

②



With the help of your adult parter, attach the Support Bar (D) to the assembled part in Step 2 and then secure the Support Bar (D) to the Right Leg Panel (C) and Left Leg Panel (B) by using Screws (E) and Allen Wrench (F) as shown above.

Note : only eighteen 80%.

③

