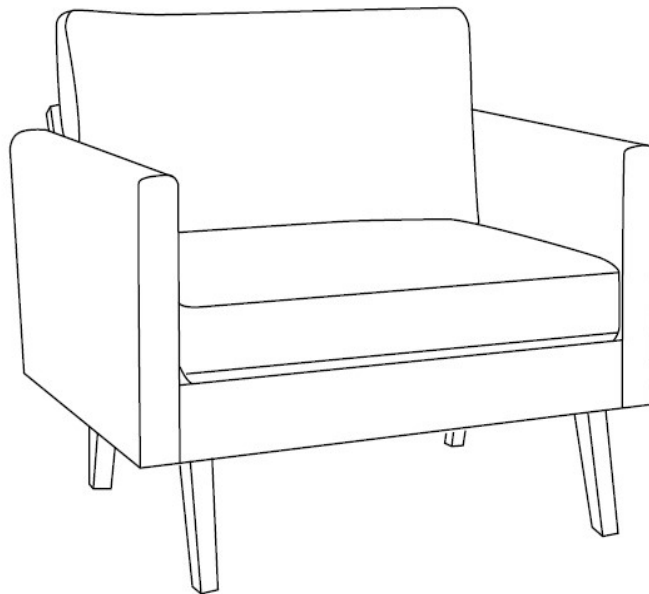


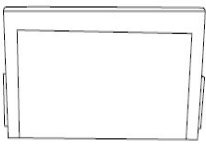
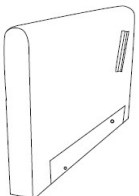
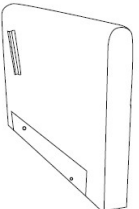
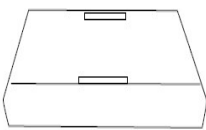


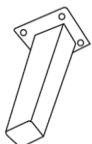
Assembly Instructions

Caution: You must read this before you proceed



CHAIR



Part List

Label	Picture	Description	QTY
A		Backrest	1
B		Left Armrest	1
C		Right Armrest	1
D		Seat Frame	1
E		Seat Cushion	1
F		Back Cushion	1
G		Leg	4

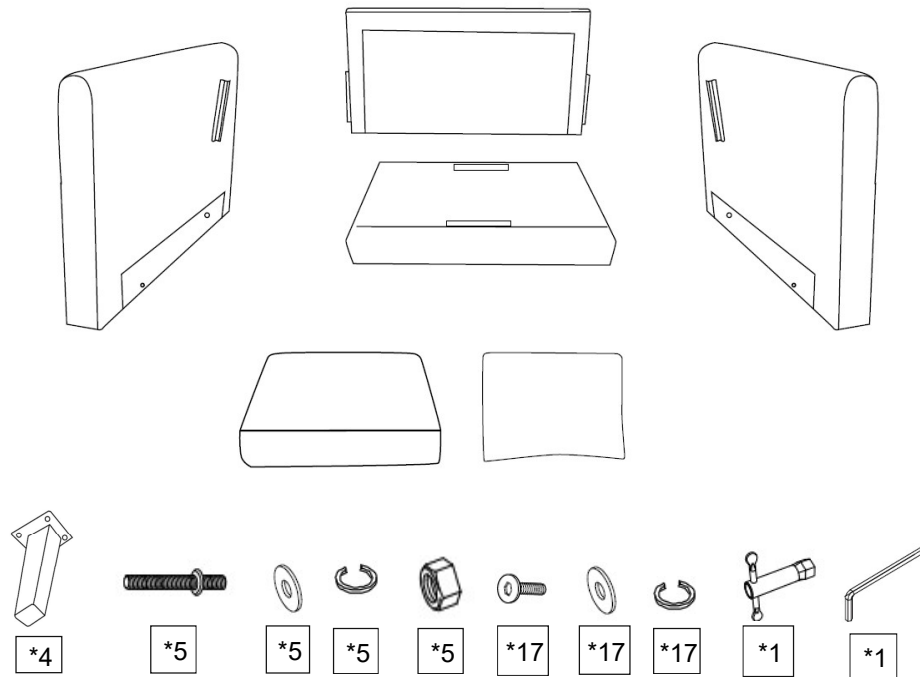
Hardware List

Label	Picture	Description	QTY
①		Screw Arbor(M8*70)	5
②		Spring Washer Ring(M8)	5

③		Flat Washer Ring(M8)	5
④		Nut	5
⑤		Bolt(M6*25mm)	17
⑥		Spring Washer Ring(M6)	17
⑦		Flat Washer Ring(M6)	17
⑧		Allen Wrench	1
⑨		Spanner	1

Assembly Preparation

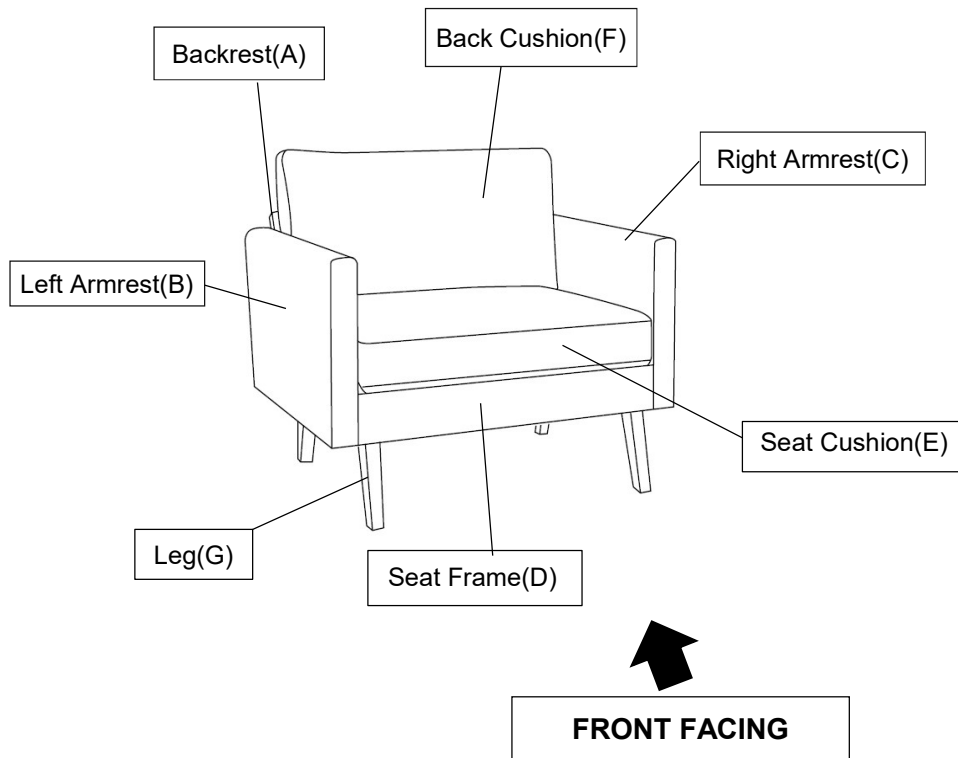
Before Beginning Assembly:



- Read instructions, cover to cover-
- Have 2 adults on hand for assembly-
- Do not assemble on flooring or carpet-
- Assemble on a clean non-marring surface (packing foam)-
- Save all packaging until finished-

Assembly Steps

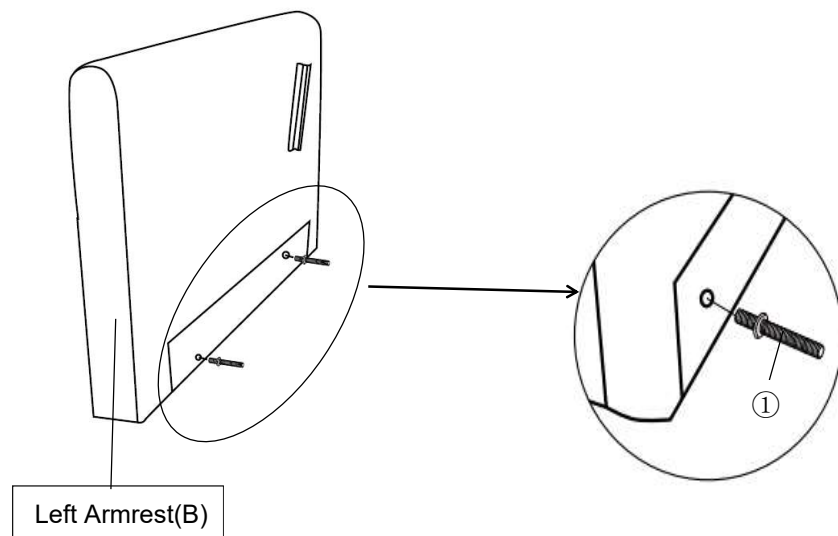
OVERVIEW



This CHAIR has multiple parts and may require up to 60 minutes to assemble. To give you an overview of the chair parts, the above picture is to help you put the various parts into perspective. Please read through the instructions below to familiarise yourself with the parts and steps before assembly.

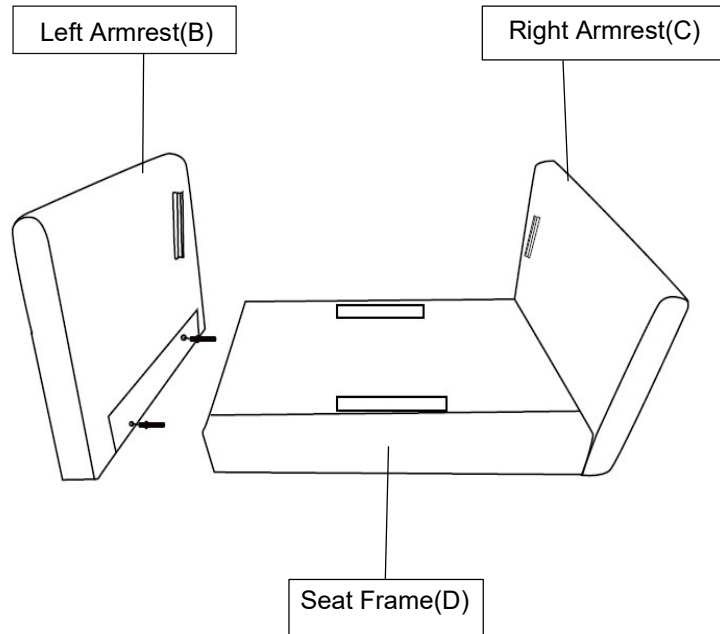
Note: It is recommended that you have an adult partner to assist during the entire assembly process.

Step 1



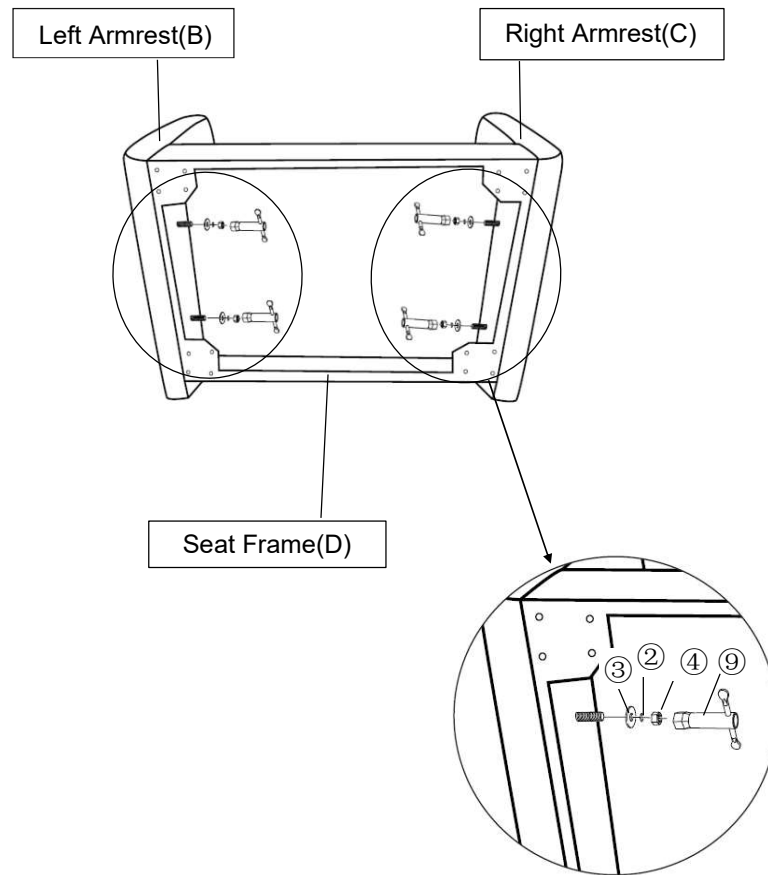
Screw the Screw Arbors(①) into the mounting positions on the Left Armrest(B) by hand until tight. Repeat the same step with the Right Armrest(C).

Step 2



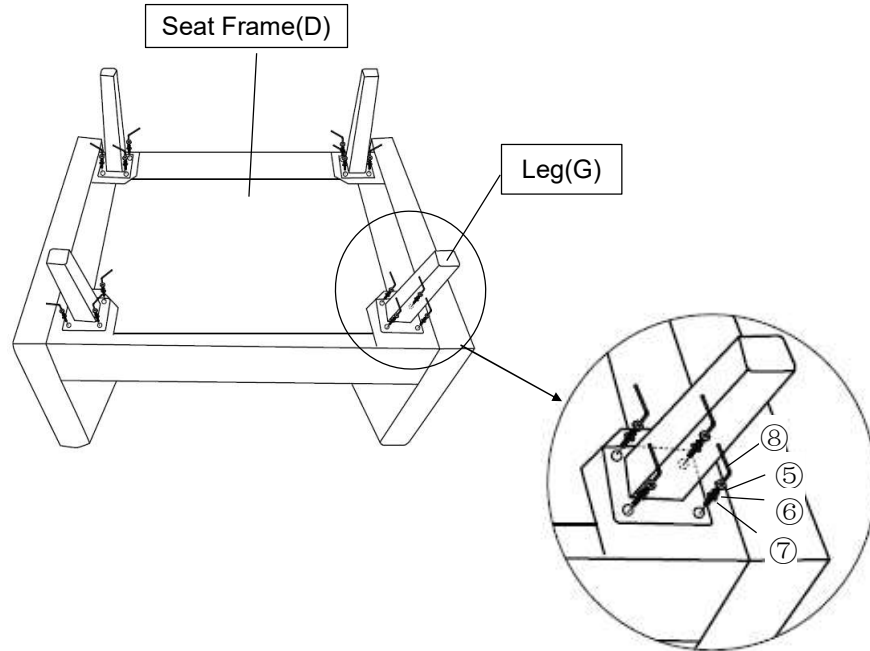
Align the mounting positions of the the Left Armrest(B) and Right Armrest(C) to the mountings on the Seat Frame(D) as shown above.

Step 3



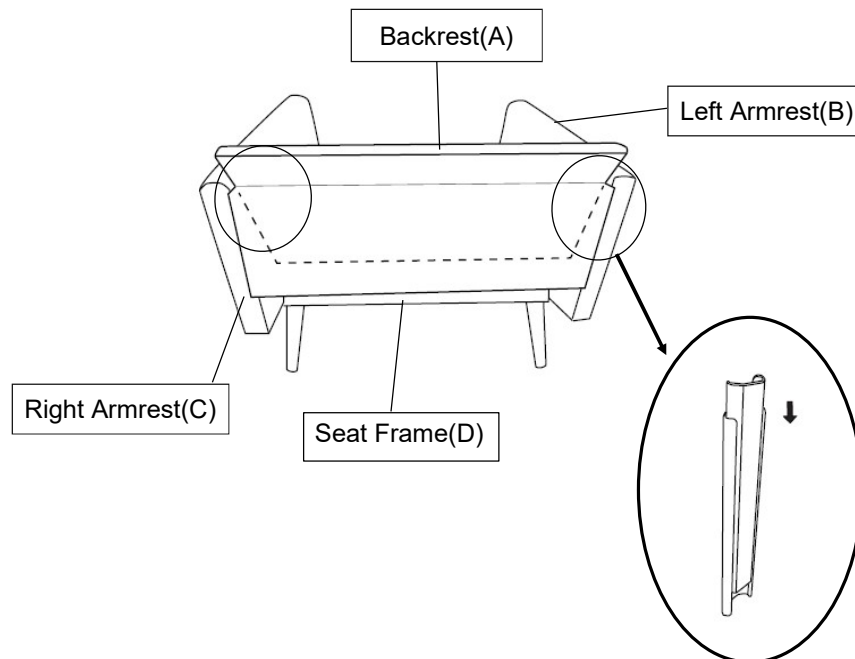
After step 2, attach the Left Armrest(B) and Right Armrest(C) to the Seat Frame(D) using Nuts(1),Spring Washer Rings(2), Flat Washer Rings(3) and the Spanner(9), turning clockwise until tight.

Step 4



Position the Seat Frame(D) bottom up as shown above.
Install the Leg(G) to the Seat Frame(D),using Bolts (5),Spring Washer Rings (6),Flat Washer Rings(7)
and the Allen Wrench(8), turning clockwise until tight.
Repeat the same process with the remaining Legs(G).

Step 5



Position the Seat Frame(D) right side up.
Slide the Tapered Connectors on the Backrest(A) into the Tapered Connectors on the Left Armrest(B) and
the Right Armrest(C) as shown above.

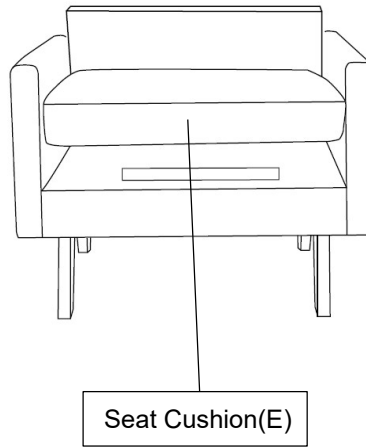
**Note: Make sure the Tapered Connectors on the Backrest(A) lock into the Tapered Connectors on
the Left Armrest(B) and Right Armrest(C).**

Assistance from an adult partner is necessary for this assembly process.

**During this assembly process - do exercise caution. You may need to use your hand to press
down and or pave away the padded surface to facilitate the 'slip and slide' assembly.**

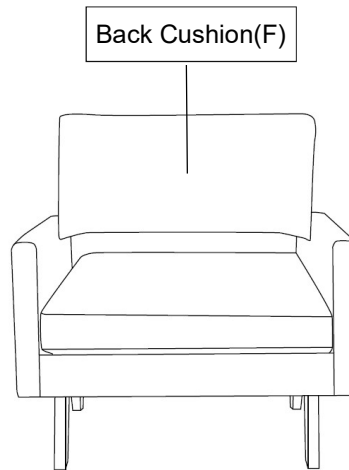
Caution: Ensure that your fingers do not get caught or pinched in the assembly process.

Step 6



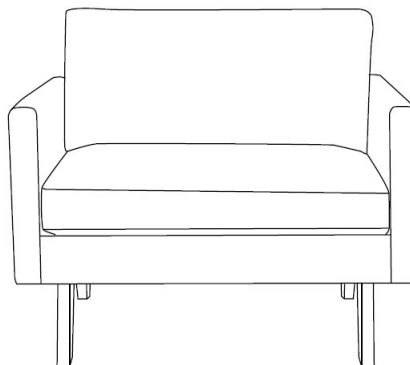
Place the Seat Cushion(E) on the chair.

Step 7



Place the Back Cushion(F) on the chair.

Step 8



Your CHAIR is ready for use.
This Chair can only be used on a flat, level surface.

Care & Maintenance

- ✓  • Furniture may scratch floors. We recommend using furniture pads to protect your floors.
 - ⊘  • Do not put hot items directly on furniture surface.
 - ⊘  • Do not clean furniture with harsh cleansers or polish.
 - ⊘  • Do not place furniture under direct sunlight.
 - ⊘  • Do not place furniture near heating or cooling vents.
 - ⊘  • Do not write on furniture without a padded barrier to protect the surface.
 - ⊘  • Do not place furniture outside . For indoor use only.
 - ⊘  • Not for commercial use. For residential use only.
 - ⊘  • Stains may be removed with mild soap solution and damp cloth.
 - ⊘  • Children should not climb or jump on the furniture.
-
- ✓  • Dust and pick-up spills using a clean, non-colored, lint-free cloth.