

**IMPORTANT : PLEASE READ INSTRUCTION BEFORE STARTING THE ASSEMBLY.**

**"DO NOT TIGHTEN SCREWS UNTIL COMPLETELY ASSEMBLED"**

**"DO NOT OVERTIGHT ANY HARDWARE"**

**WARNING : SMALL PARTS AND HARDWARE NOT FOR CHILDREN UNDER 3 YEARS. ADULT ASSEMBLY REQUIRED.**

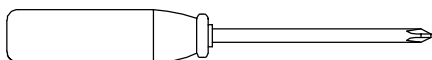
### TABLE OF CONTENTS

HARDWARES LIST	PAGE 2 - 3
PARTS LIST	PAGE 4 - 6
PARTS' LOCATION	PAGE 7
PRECAUTIONS FOR ASSEMBLING DRAWER SLIDE	PAGE 8
ASSEMBLY STEPS	PAGE 9 - 27
ASSEMBLY COMPLETED	PAGE 28
ANTI-TIPPING INSTALLMENT INSTRUCTIONS	PAGE 29
PAY ATTENTION ITEMS	PAGE 30

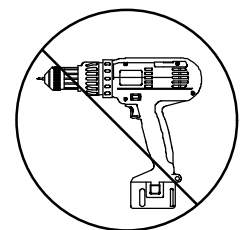
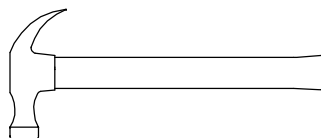
### ASSEMBLY TOOLS REQUIRED

Skip the power trip this time.

**1. Screwdriver (not provide)**







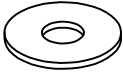

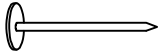



**2. Hammer (not provide)**




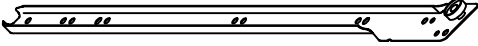
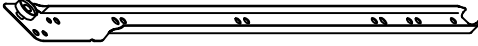


# DR ASSEMBLY INSTRUCTION

## HARDWARES LIST

ITEM	DESCRIPTION	DRAWING	QTY
A	MINIFIX CAM LOCK		76 PCS
B	MINIFIX CAM BOLT		76 PCS
C	WOOD DOWEL (M8 x 25MM)		38 PCS
D	WOOD DOWEL (M6 x 25MM)		48 PCS
E	JCBC SCREW M6 x 35MM		4 PCS
F	SPRING WASHER M6 x 13MM		4 PCS
G	FLAT WASHER M6 x 19MM		4 PCS
I	TRUSS M-SCREW (20MM)		12 PCS
L	6/8" NAIL		24 PCS
M	HANDLE		6 PCS

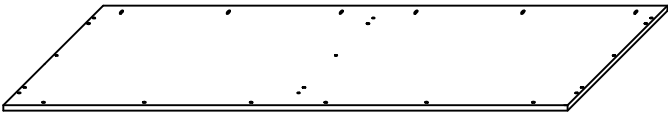
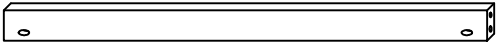
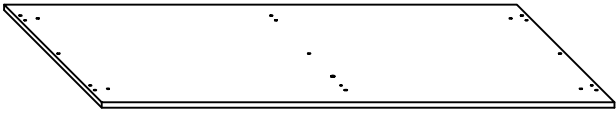


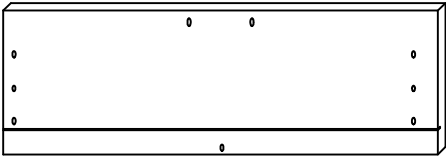
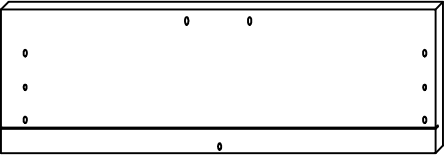
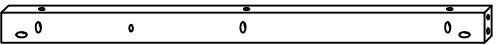
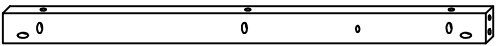
# DR ASSEMBLY INSTRUCTION

## HARDWARES LIST

ITEM	DESCRIPTION	DRAWING	QTY
N	M4 ALLEN KEY (65MM)		1 PC
O	LEFT DRAWER SLIDE		6 PCS
P	RIGHT DRAWER SLIDE		6 PCS
Q	CSK SCREW M3 x 10mm		48 PCS
R	PLASTIC STRIP (H SHAPE)		1 PC

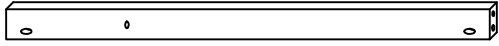
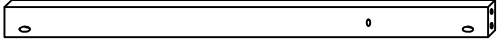
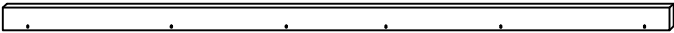
# DR ASSEMBLY INSTRUCTION

## PARTS LIST (BOX 1)

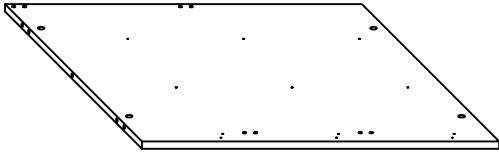

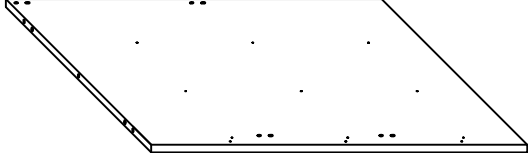
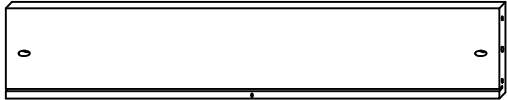
ITEM	DESCRIPTION	DRAWING	QTY
D1	TOP PANEL		1 PC
D5	FRONT CENTRE SUPPORT RAIL		4 PCS
D23	BOTTOM PANEL		1 PC
D11A	UPPER BACK PANEL		1 PC
D11B	LOWER BACK PANEL		1 PC
D12	LEFT DRAWER HEAD		3 PCS
D13	RIGHT DRAWER HEAD		3 PCS
D6	BACK TOP SUPPORT RAIL (L)		1 PC
D7	BACK TOP SUPPORT RAIL (R)		1 PC

# DR ASSEMBLY INSTRUCTION

## PARTS LIST (BOX 1)

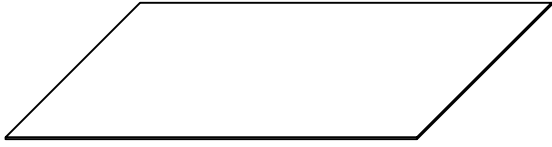
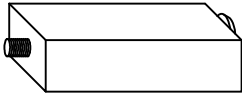
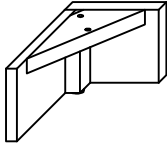
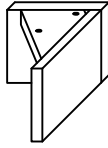
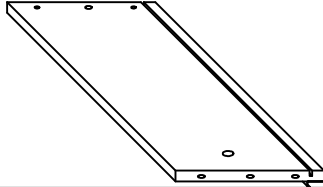
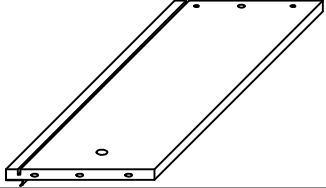
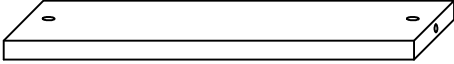
ITEM	DESCRIPTION	DRAWING	QTY
D8	BACK CENTRE SUPPORT RAIL (L)		1 PC
D9	BACK CENTRE SUPPORT RAIL (R)		1 PC
D16	TOP FRAME		1 PC

## PARTS LIST (BOX 2)

ITEM	DESCRIPTION	DRAWING	QTY
D2	LEFT PANEL		1 PC
D3	RIGHT PANEL		1 PC
D4	CENTRE PANEL		1 PC
D14	DRAWER BACK PANEL		6 PCS

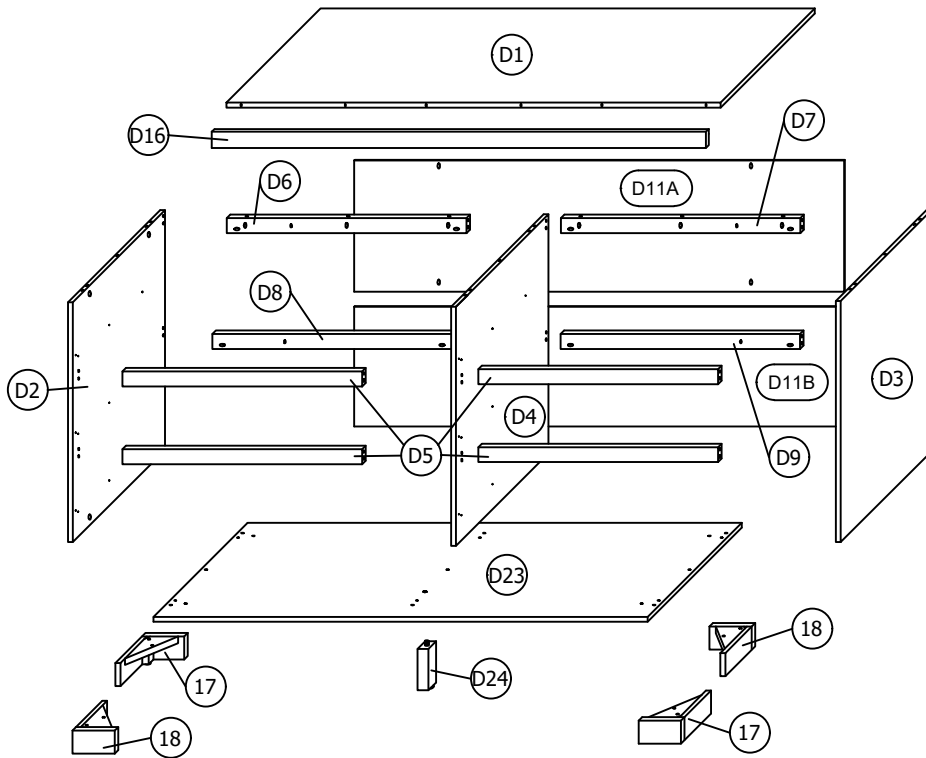
# DR ASSEMBLY INSTRUCTION

## PARTS LIST (BOX 2)

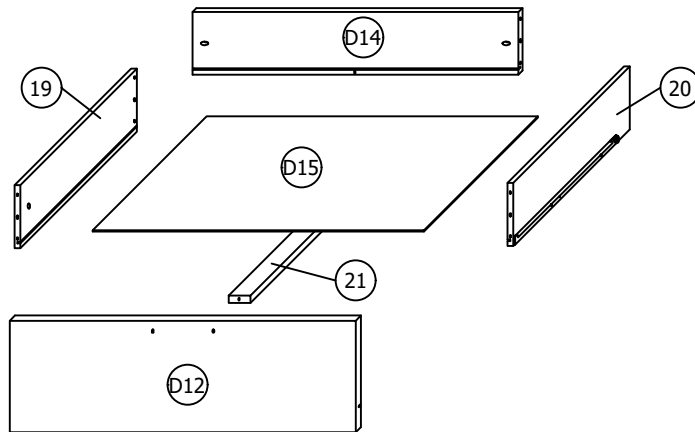
ITEM	DESCRIPTION	DRAWING	QTY
D15	DRAWER BOTTOM PANEL		6 PCS
D24	CENTRE SUPPORT LEG		1 PC
17	LEG (i)		2 PCS
18	LEG (ii)		2 PCS
19	DRAWER LEFT PANEL		6 PCS
20	DRAWER RIGHT PANEL		6 PCS
21	DRAWER BOTTOM SUPPORT RAIL		6 PCS

# PARTS ' LOCATION

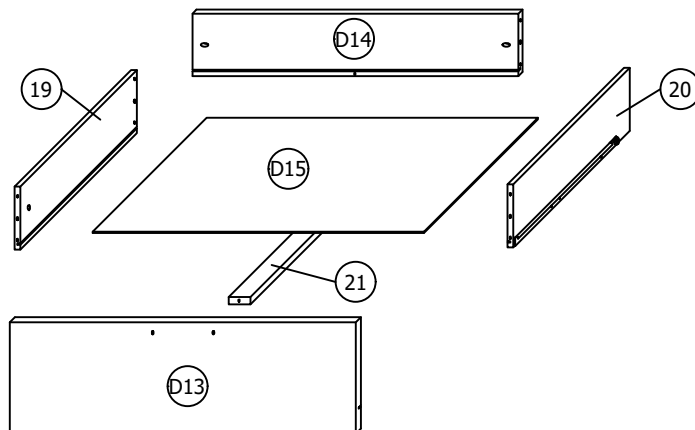
## DRESSER x 1 PC



## LEFT DRAWER x 3 PCS



## RIGHT DRAWER x 3 PCS

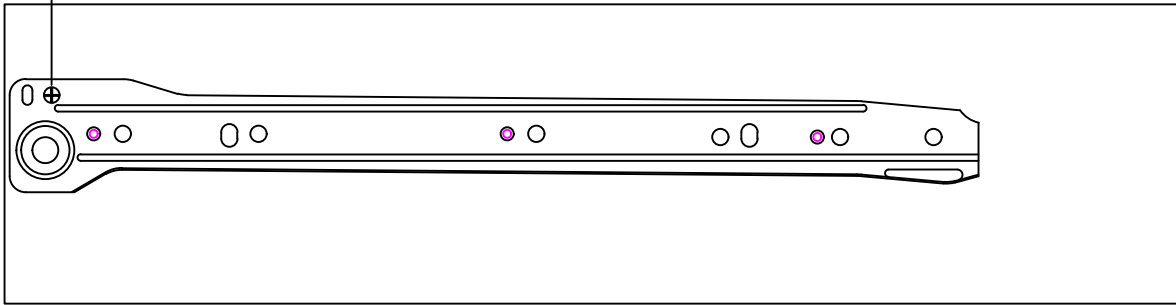


# DR ASSEMBLY INSTRUCTION

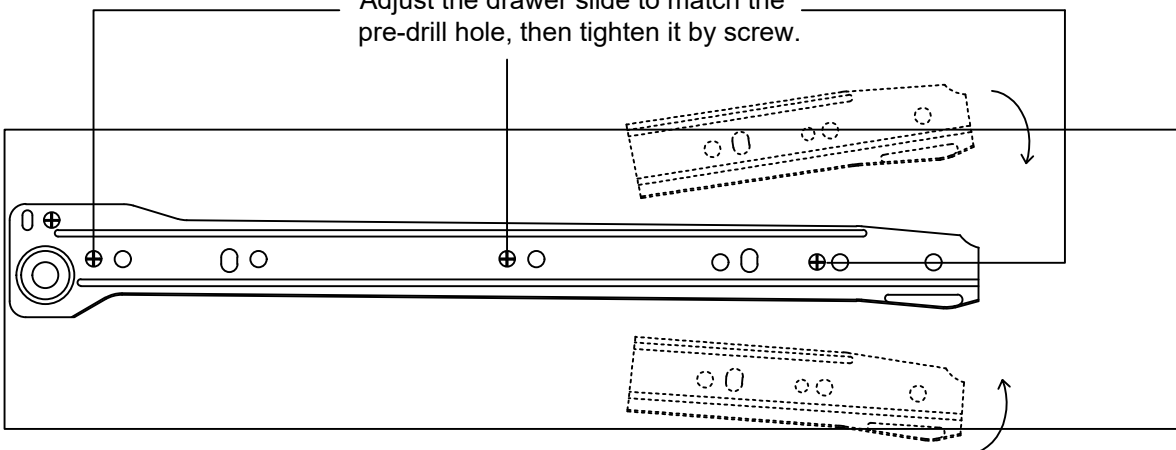
## PRECAUTIONS FOR ASSEMBLING DRAWER SLIDE

FOR ITEM (O) and (P) - STEP 1 to 4

Align the hole then insert screw and tight this hole first.



Adjust the drawer slide to match the pre-drill hole, then tighten it by screw.

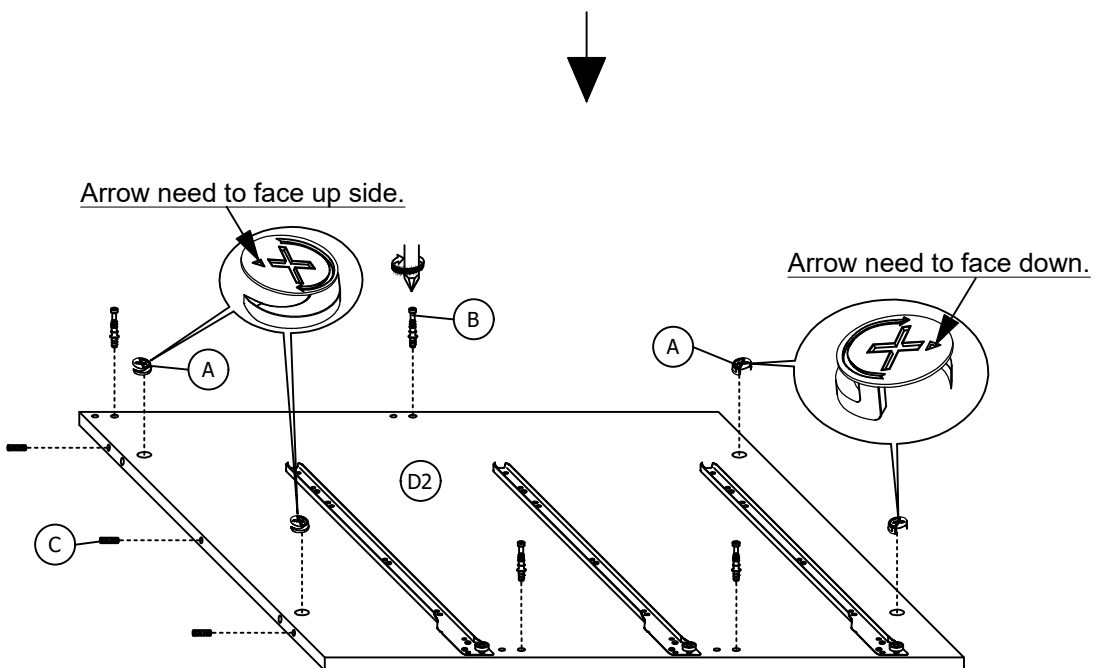
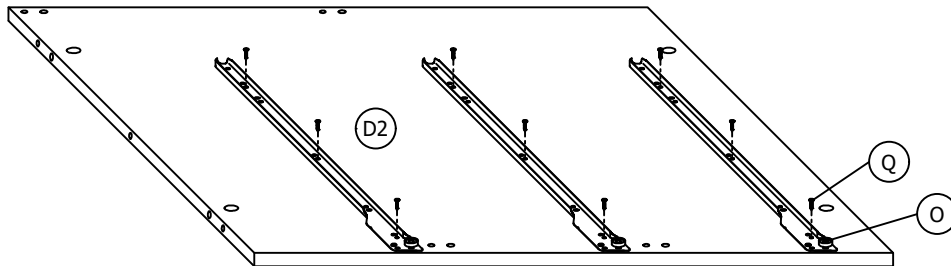
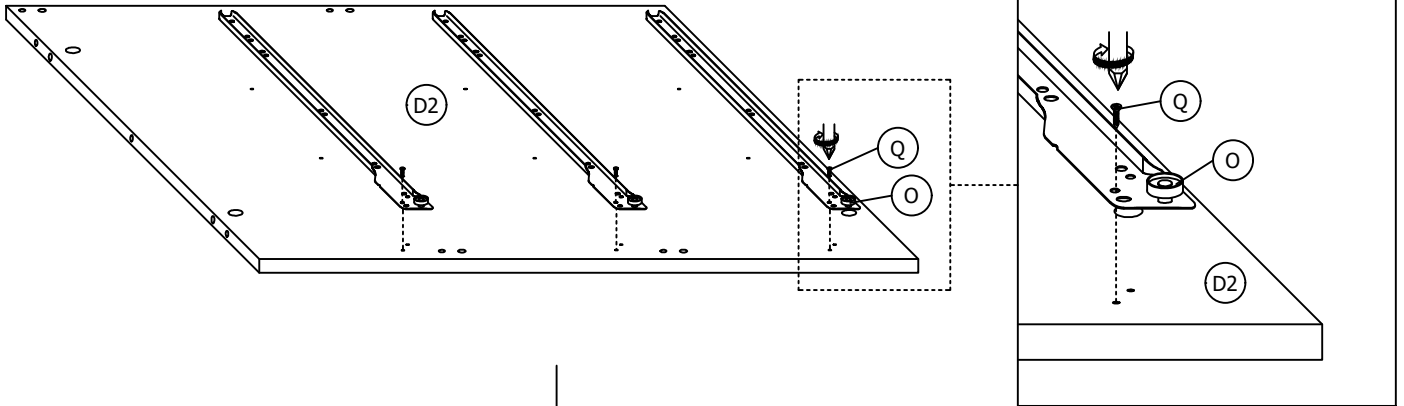


## ASSEMBLY STEPS

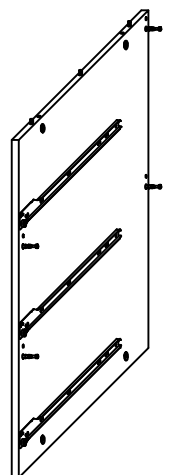
### STEP 1

Fix 3 pieces (O) to the (D2) by using 12 pieces (Q). Then insert 4 pieces (A),(B) and 3 pieces (C) as shown.

Attention : Follow the instructions in previous page to assembly (O).



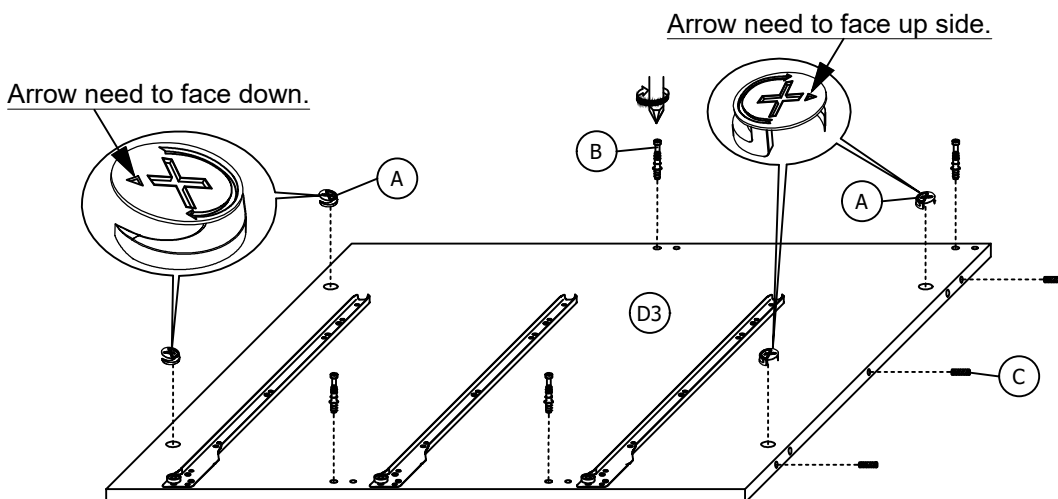
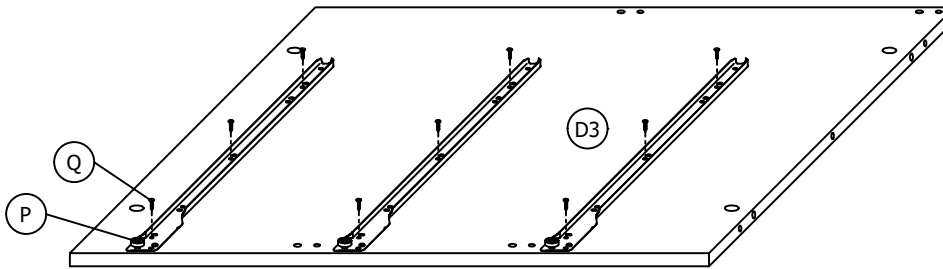
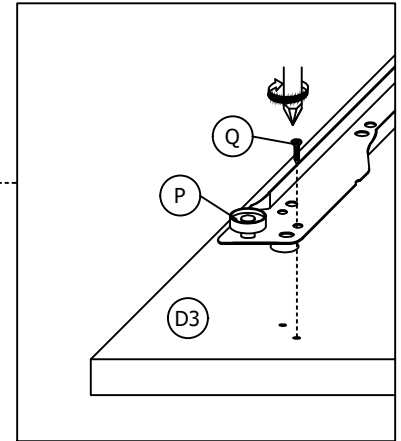
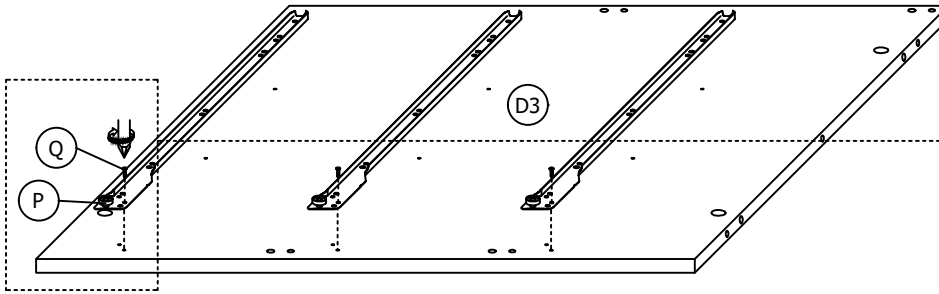
Assembled become like this



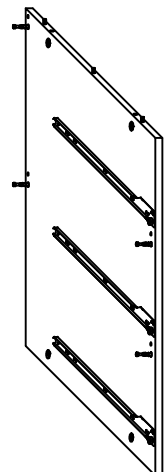
**STEP 2**

Fix 3 pieces (P) to the (D3) by using 12 pieces (Q). Then insert 4 pieces (A),(B) and 3 pieces (C) as shown.

Attention : Follow the instructions in page 8 to assembly (P).



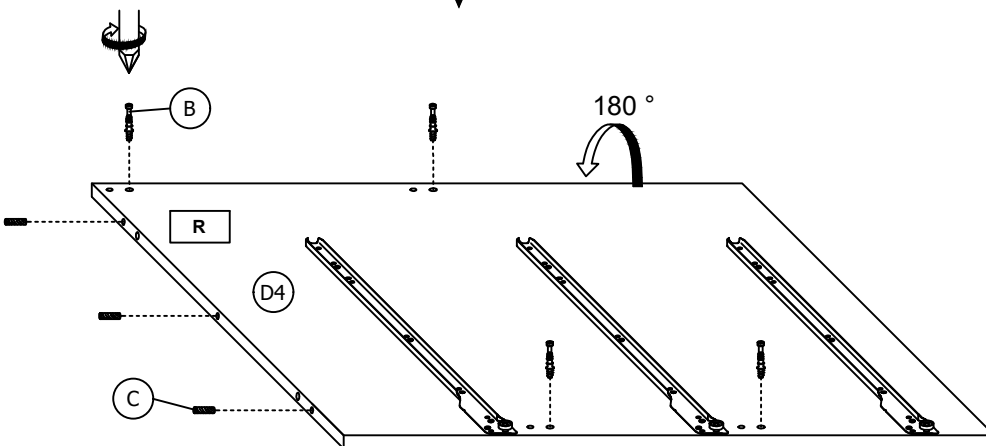
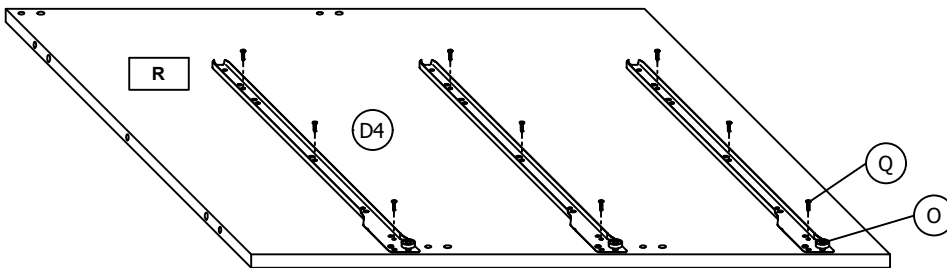
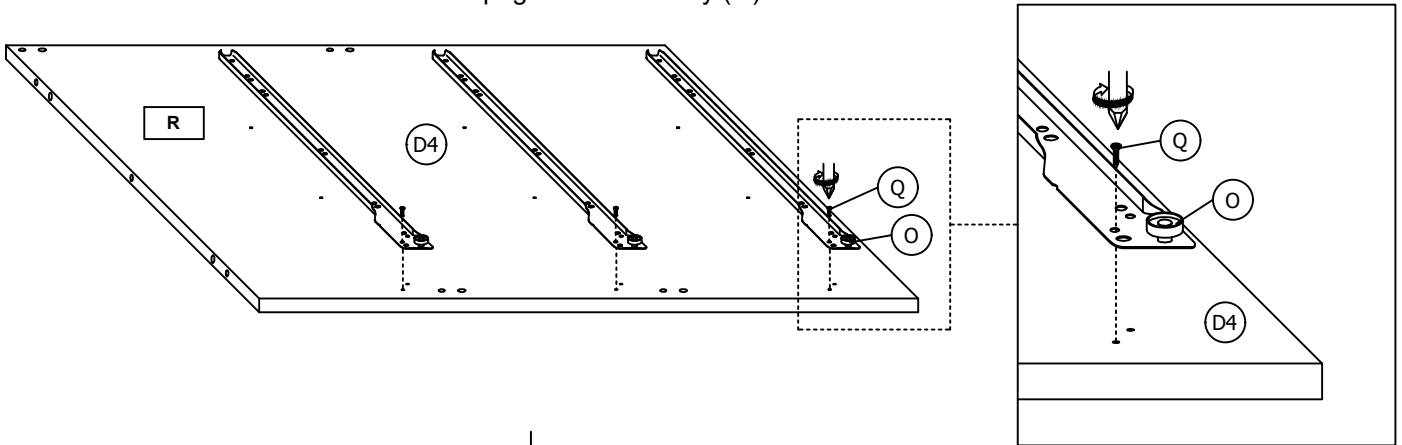
Assembled become like this



### STEP 3

Fix the remaining 3 pieces (O) to the right side of (D4) by using 12 pieces (Q). Then insert 3 pieces (C) and 4 pieces (B) as shown.

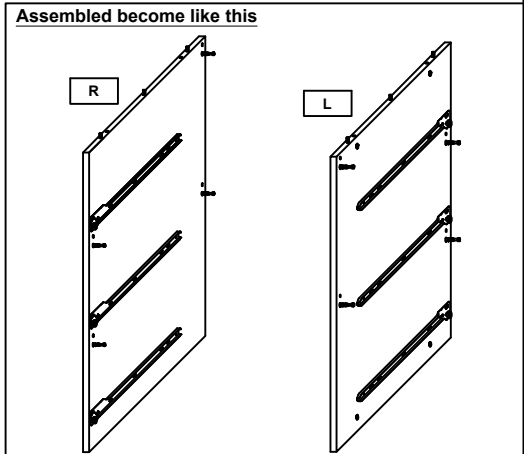
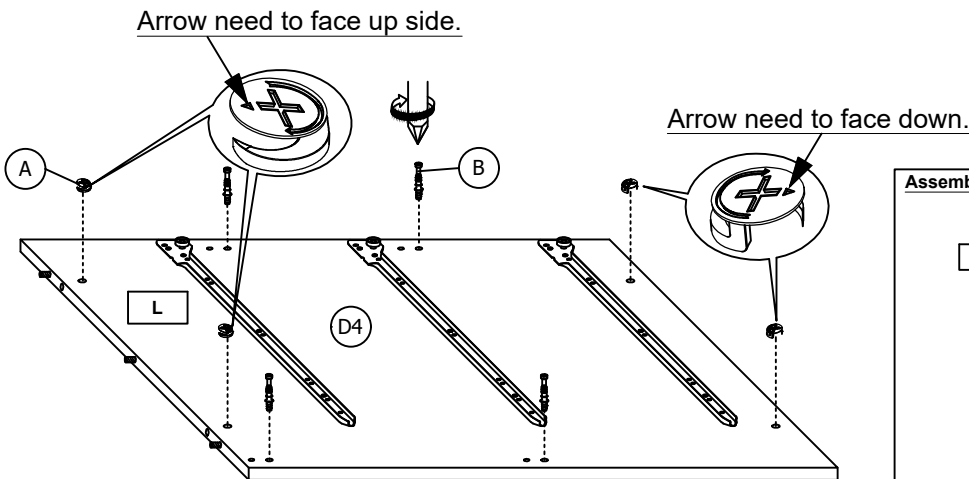
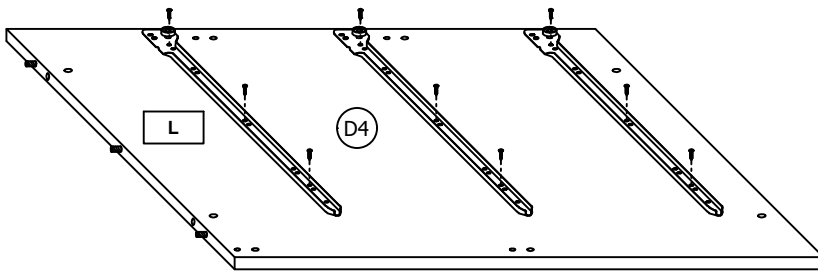
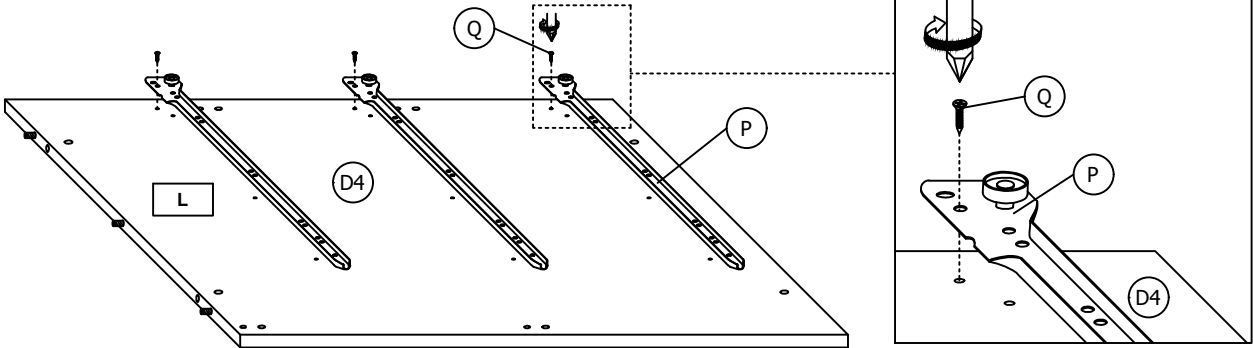
Attention : Follow the instructions in page 8 to assembly (O).



**STEP 4**

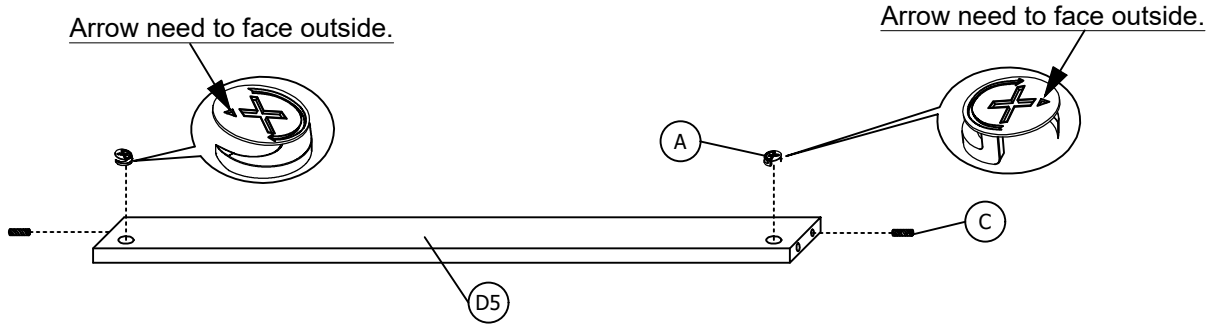
Fix the remaining 3 pieces (P) to the left side of (D4) by using 12 pieces (Q). Then insert 4 pieces (A),(B) as shown.

Attention : Follow the instructions in page 8 to assembly (P).

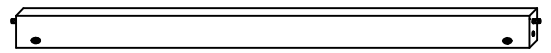


**STEP 5**

Insert 2 pieces (A) and 2 pieces (C) to (D5) as shown. This step needs to be **done four times**.

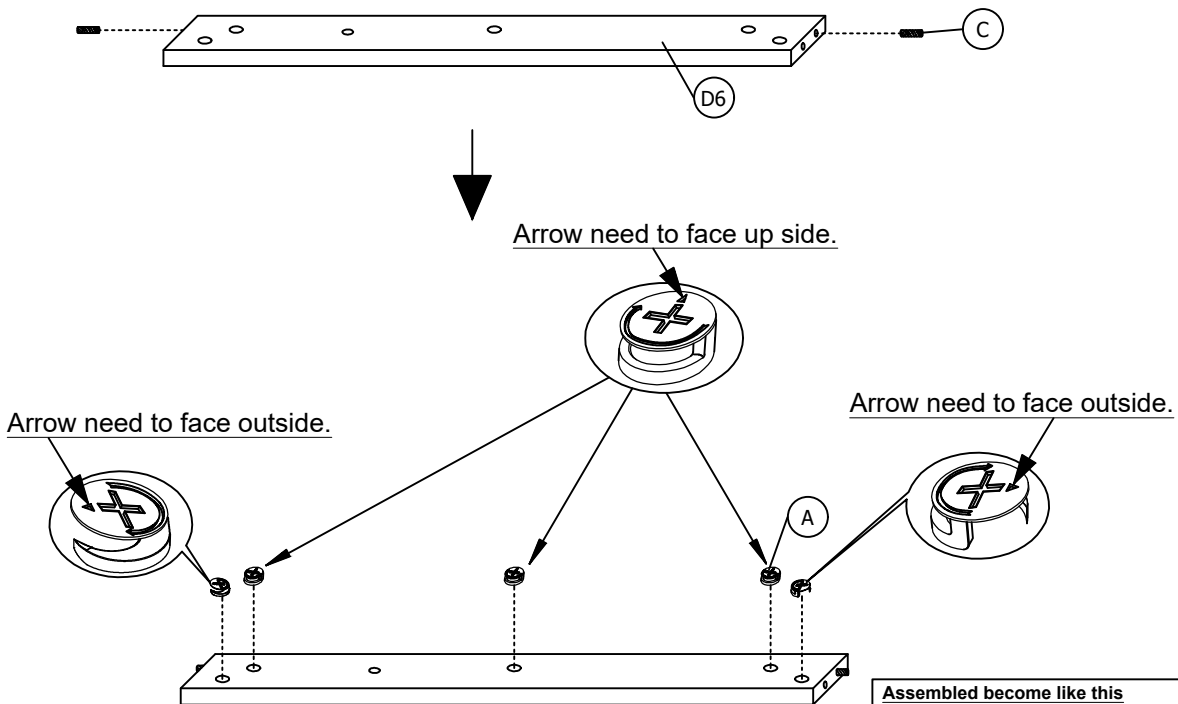


Assembled become like this

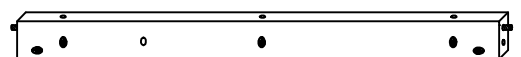


**STEP 6**

Insert 5 pieces (A) and 2 pieces (C) to (D6) as shown.

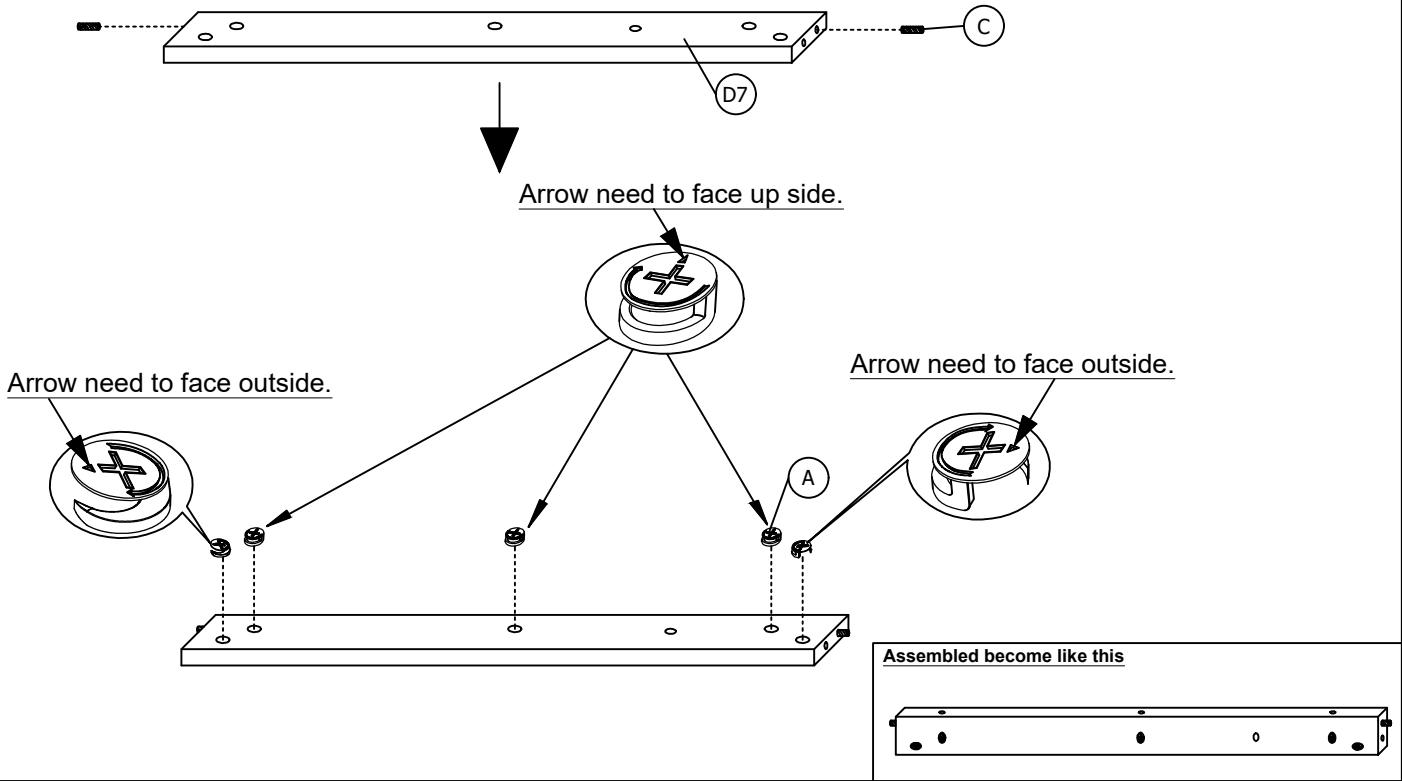


Assembled become like this



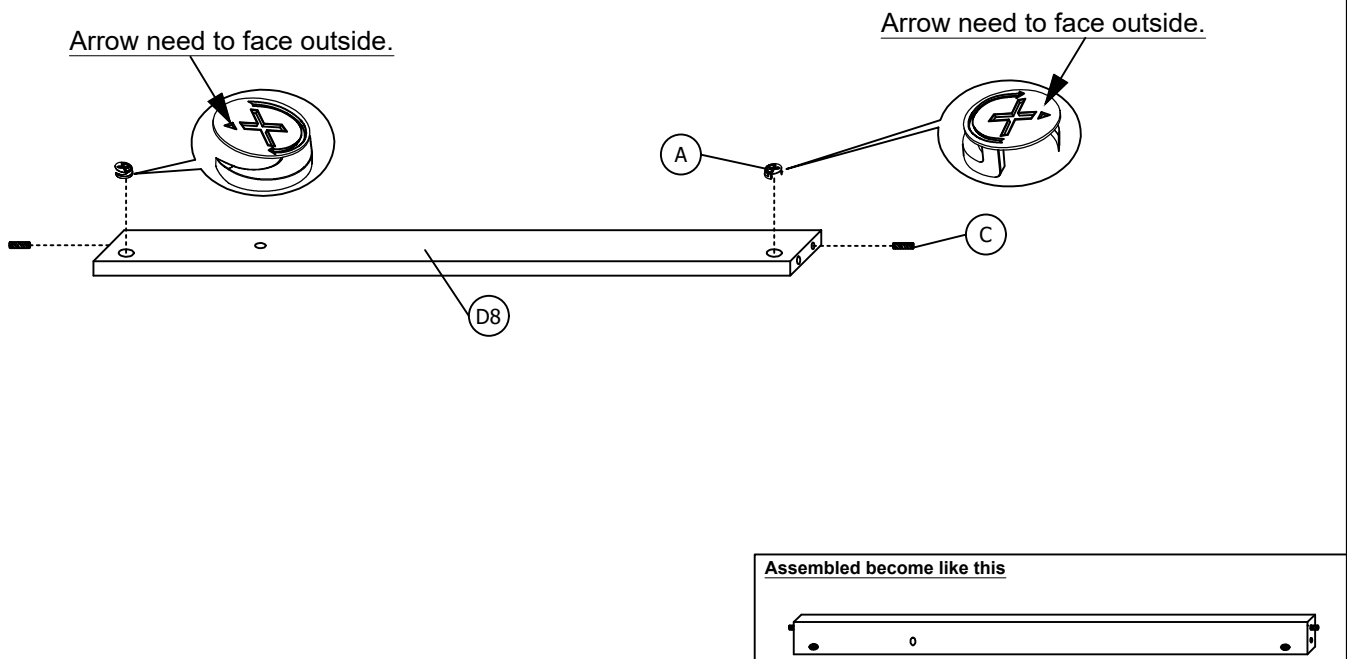
**STEP 7**

Insert 5 pieces (A) and 2 pieces (C) to (D7) as shown.



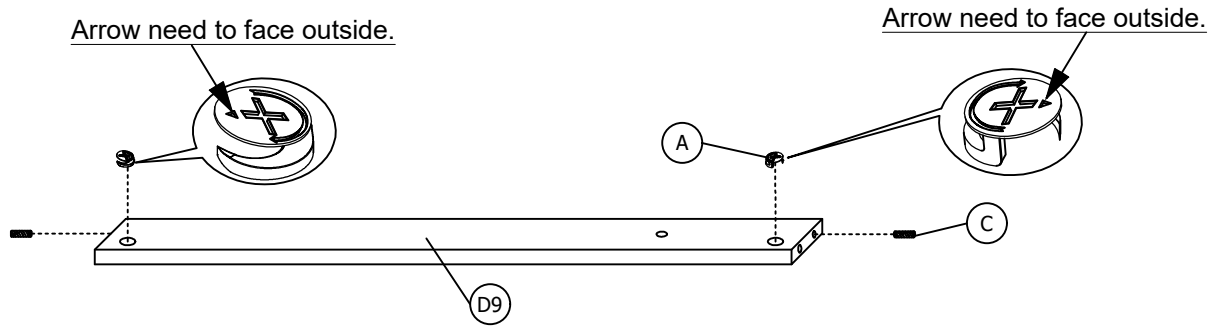
**STEP 8**

Insert 2 pieces (A) and 2 pieces (C) to (D8) as shown.

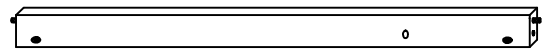


**STEP 9**

Insert 2 pieces (A) and 2 pieces (C) to (D9) as shown.

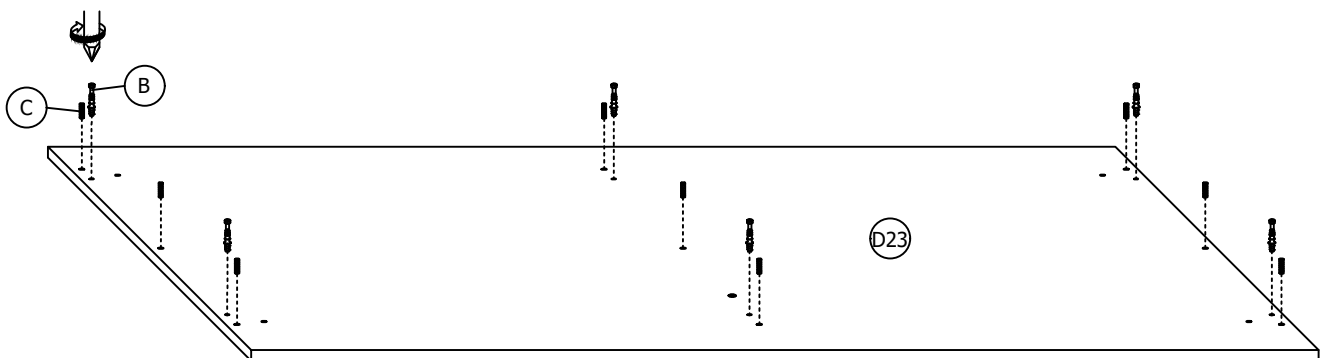


Assembled become like this

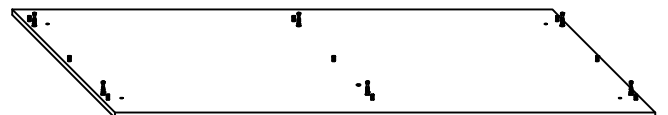


**STEP 10**

Insert 6 pieces (B) and 9 pieces (C) to the (D23) as shown.

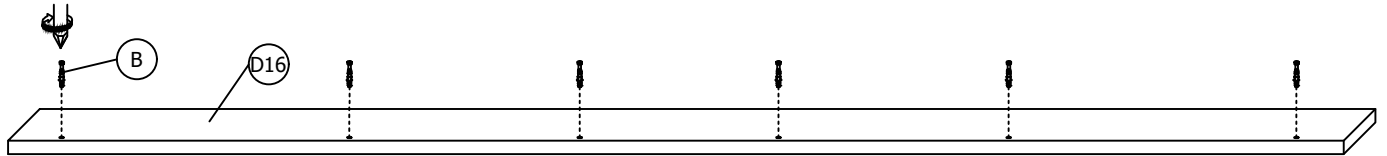


Assembled become like this



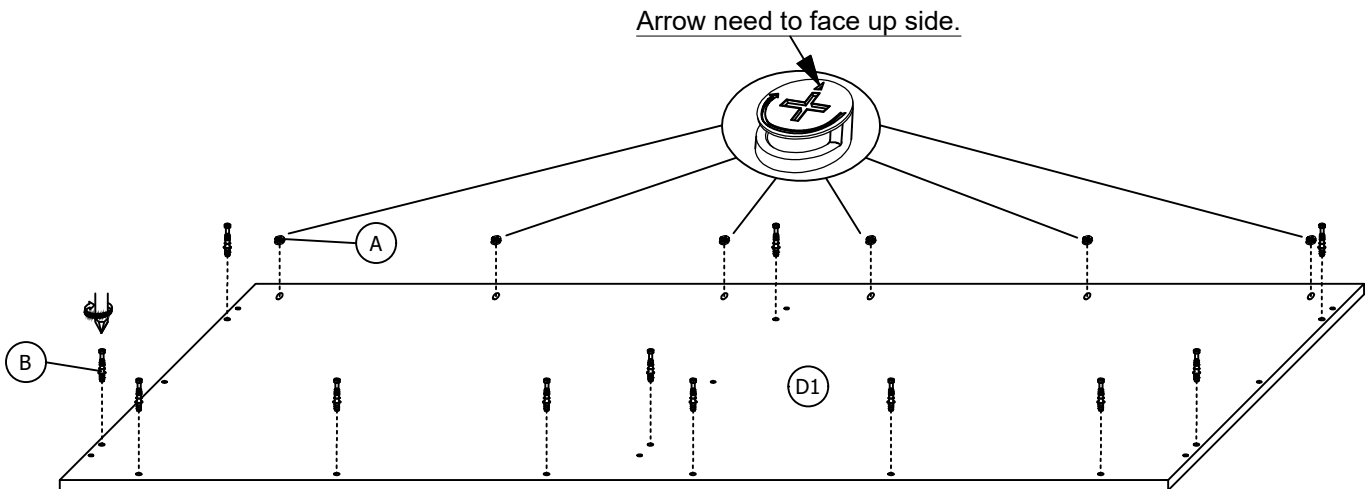
**STEP 11**

Insert 6 pieces (B) to the (D16) as shown.



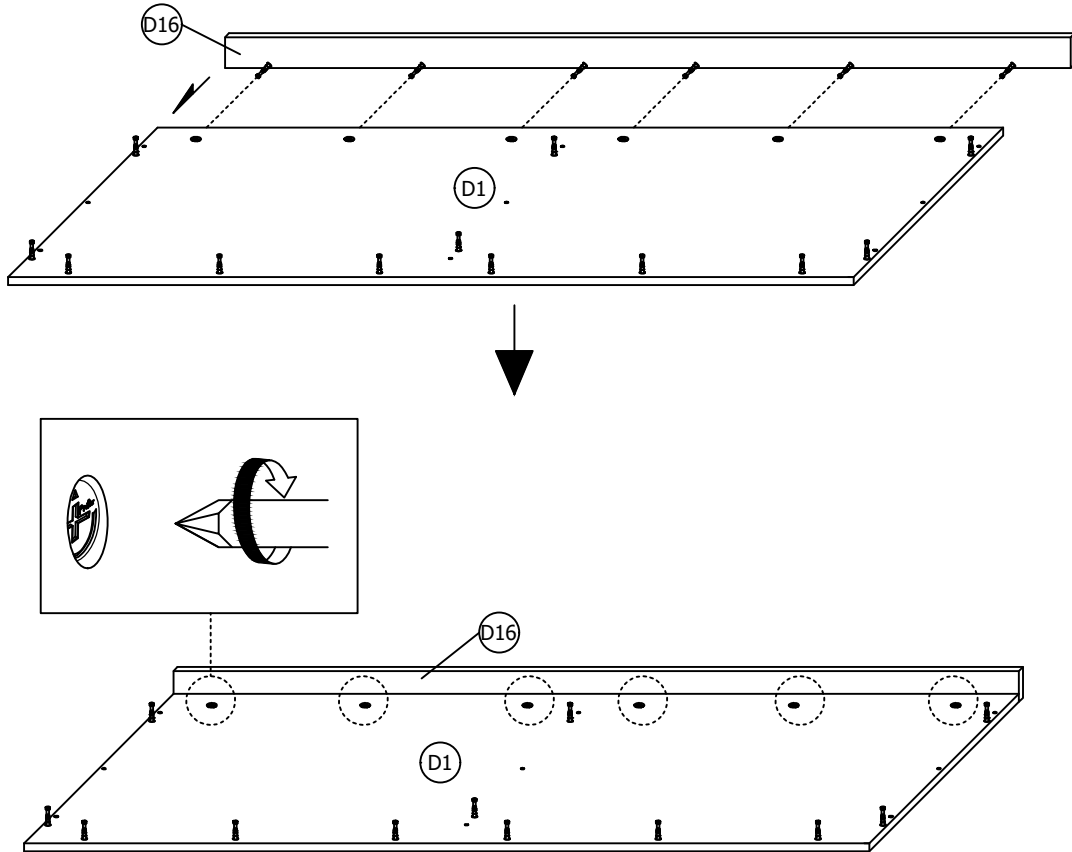
**STEP 12**

Insert 6 pieces (A) and 12 pieces (B) to the (D1) as shown.



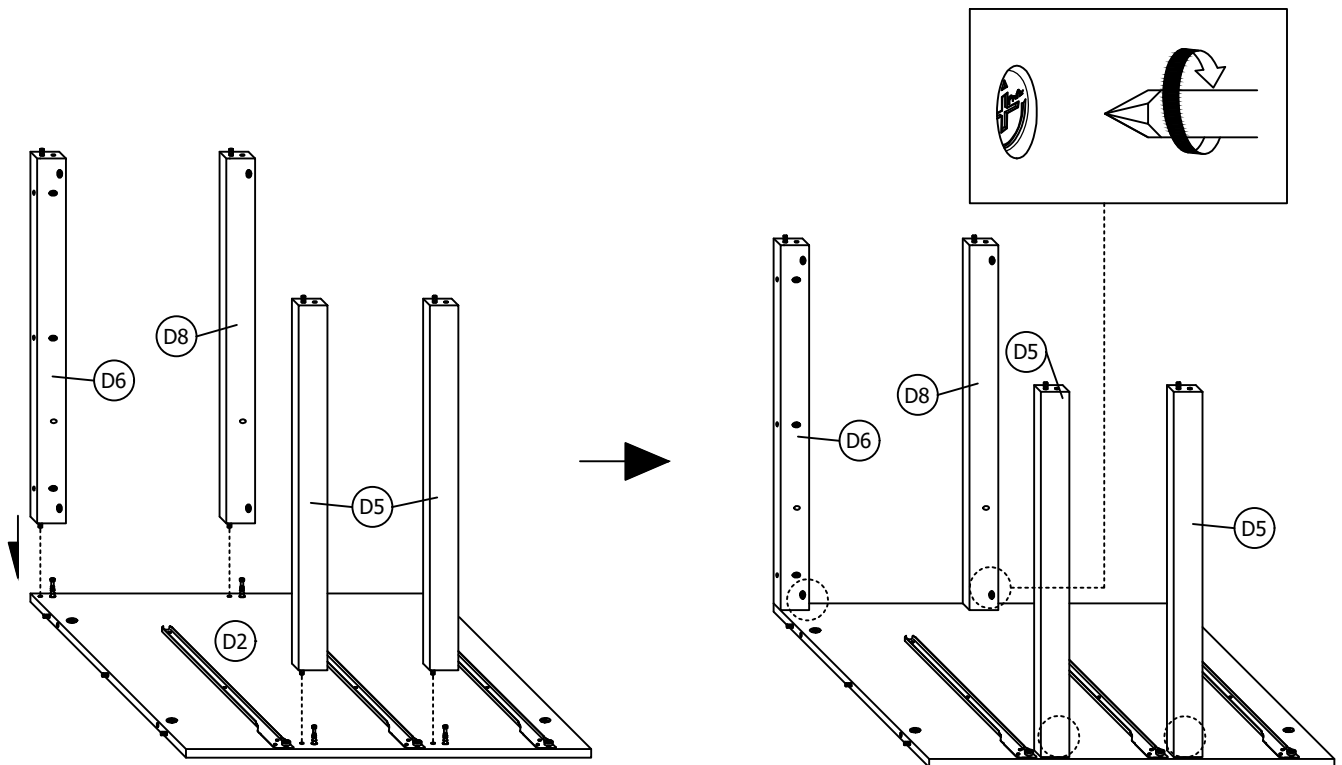
**STEP 13**

Combine the (D1) and (D16) then tighten the 6 pieces (A)-(pre insert in previous step) as shown.



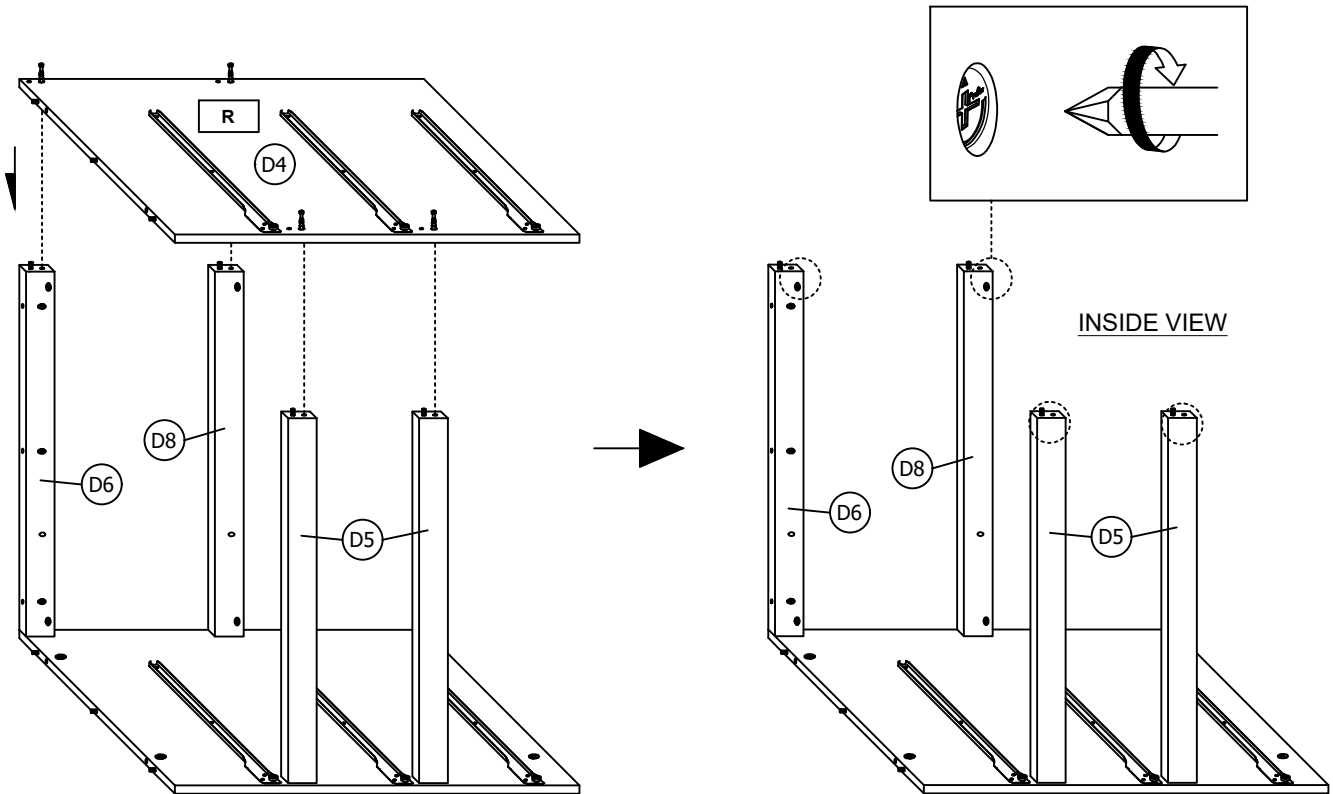
**STEP 14**

Combine 2 pieces (D5),(D6) and the (D8) to the (D2) then tighten the 4 pieces (A)-(pre insert in step 5,6 and 8) as shown.



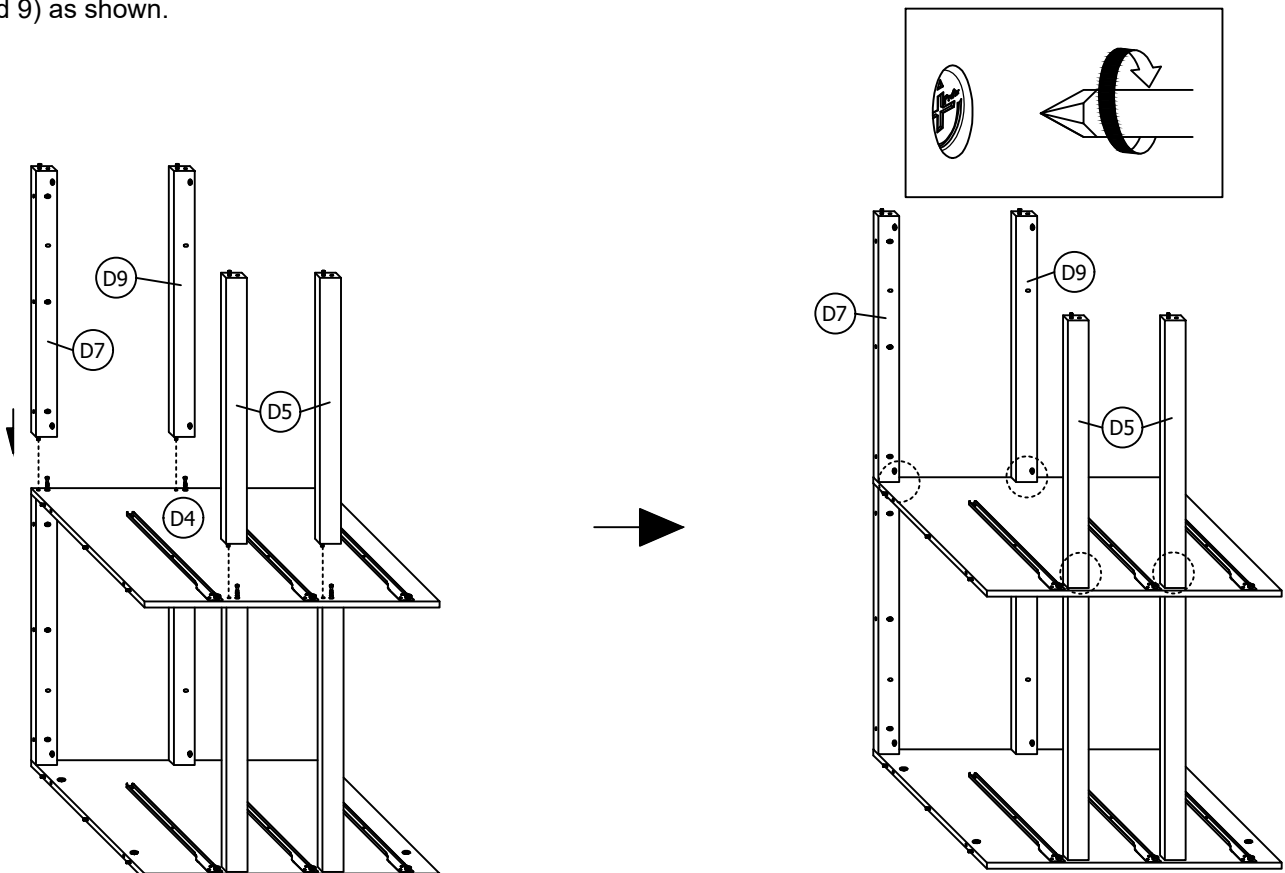
### STEP 15

Combine the (D4) to the (D5),(D6) and (D8) then tighten the another 4 pieces (A)-(pre insert in step 5,6 and 8) as shown.



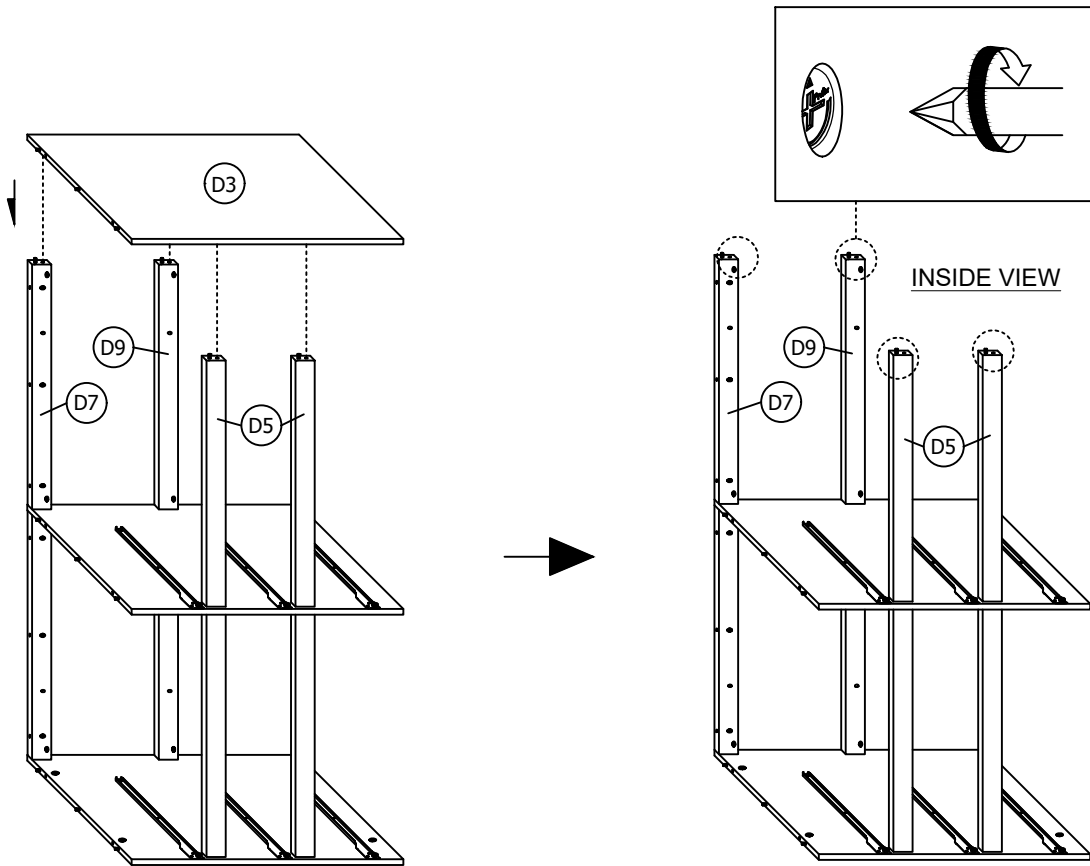
### STEP 16

Combine the remaining 2 pieces (D5),(D7) and the (D9) to the (D4) then tighten the 4 pieces (A)-(pre insert in step 5,7 and 9) as shown.



**STEP 17**

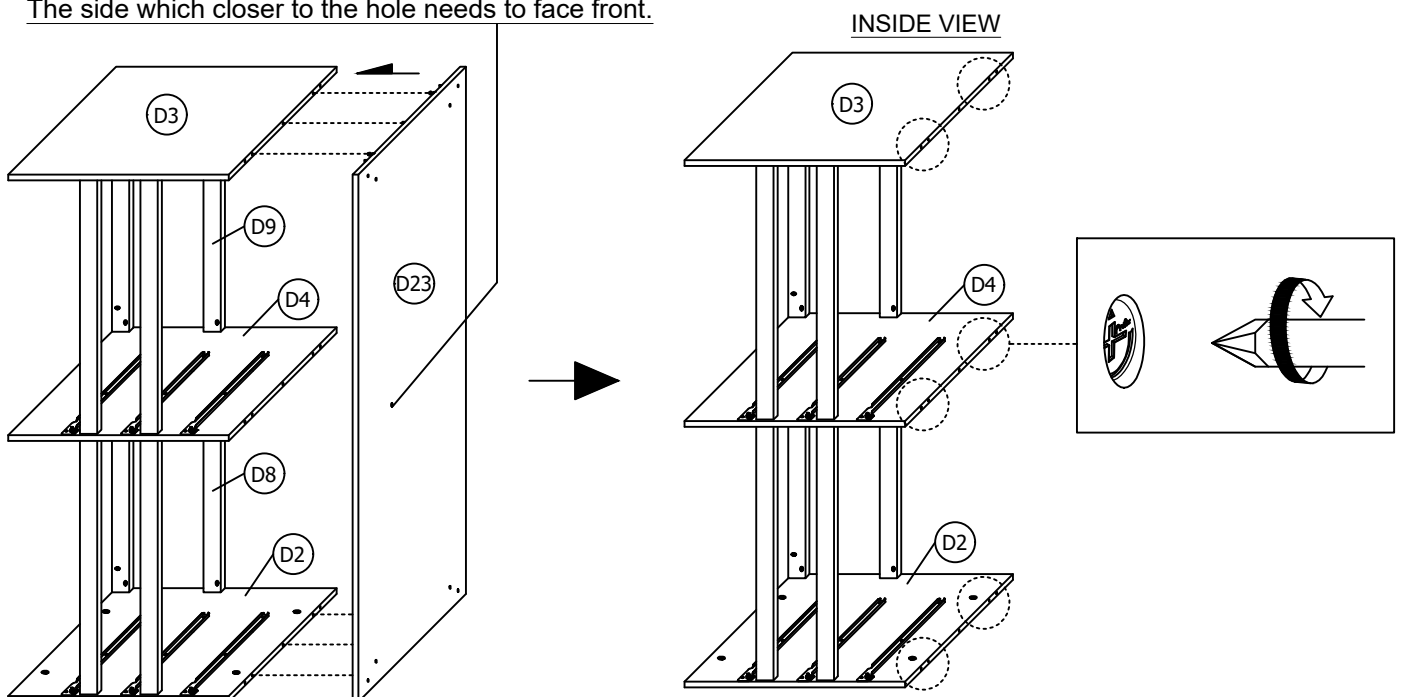
Combine the (D3) to the (D5),(D7) and (D9) then tighten the another 4 pieces (A)-(pre insert in step 5,7 and 9) as shown.



**STEP 18**

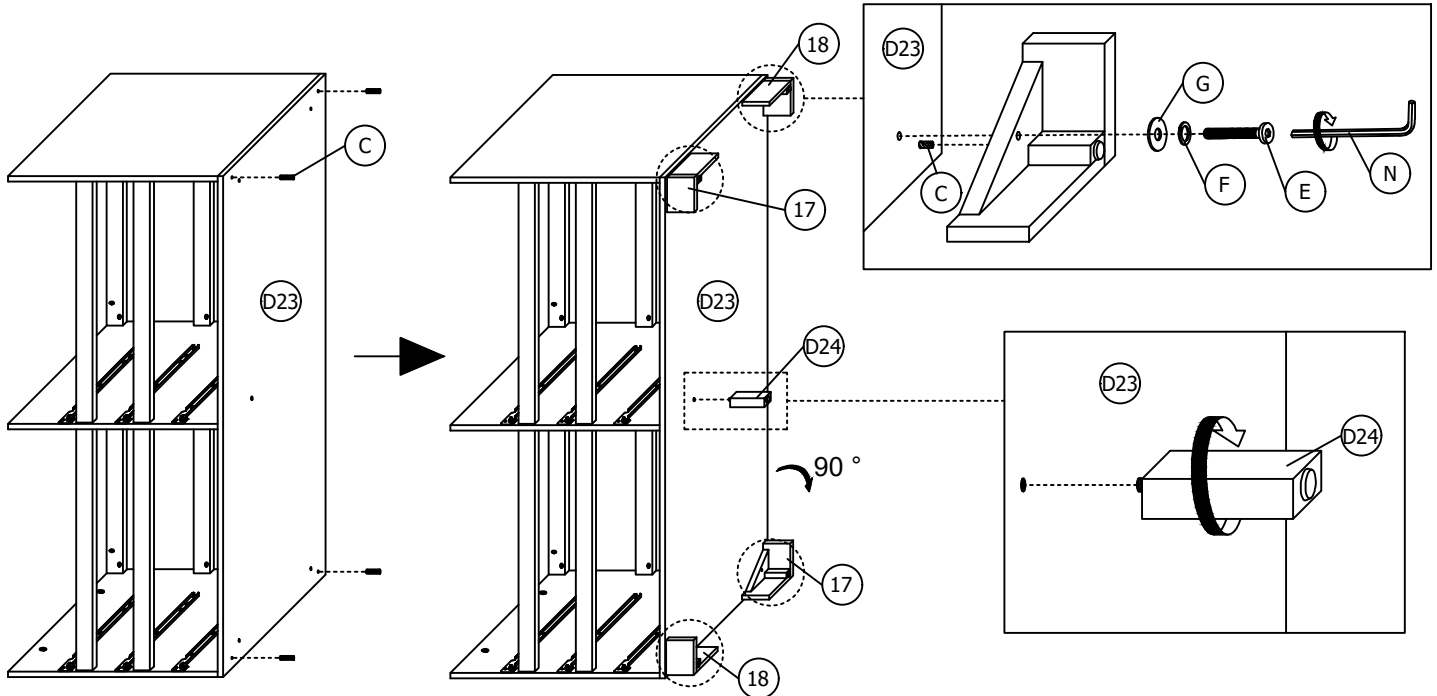
Combine the (D23) to the (D2),(D3) and (D4) then tighten the 6 pieces (A)-(pre insert in step 1,2 and 4) as shown.

The side which closer to the hole needs to face front.



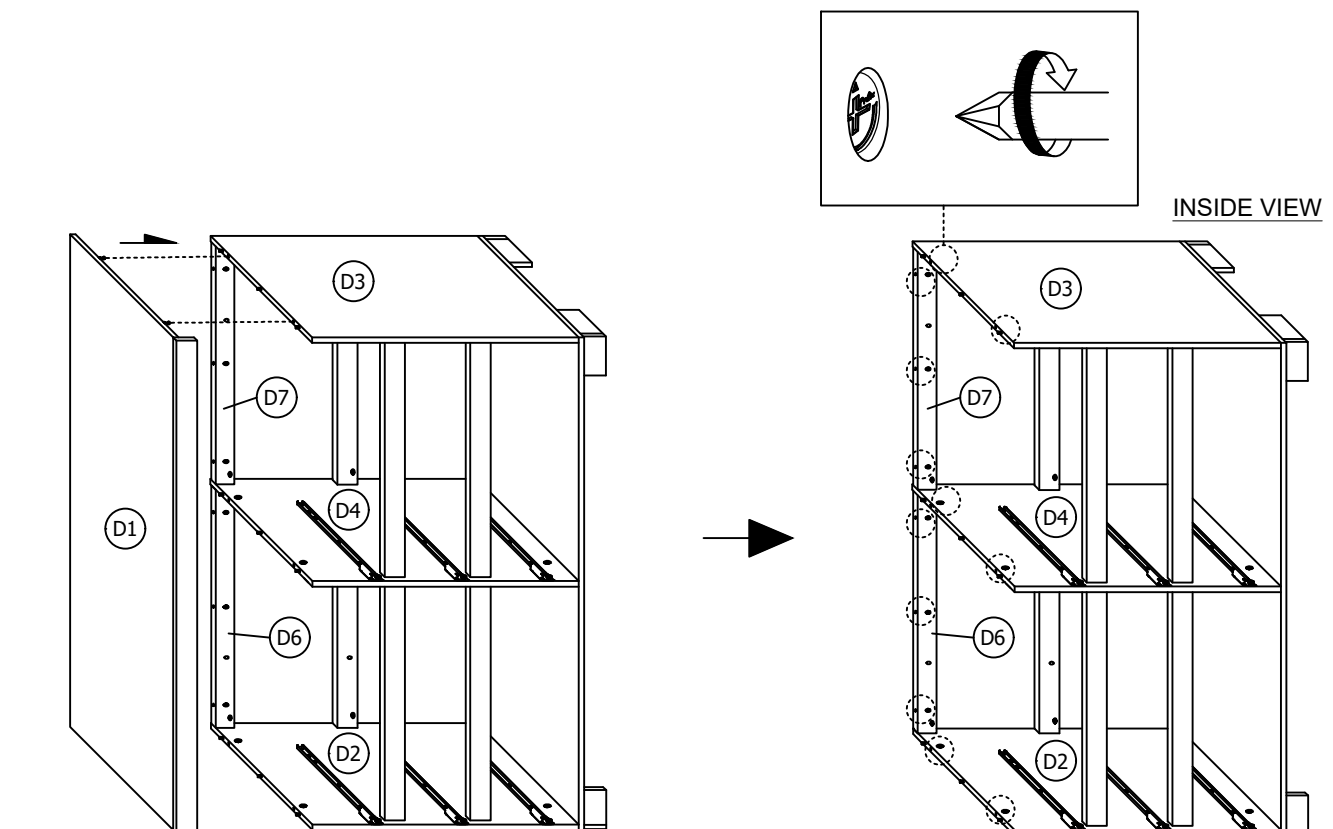
### STEP 19

Insert the 4 pieces (C),(E),(F) and (G) to combine the (17) and (18) to the (D23) , then turn (D24) clockwise to combine it to the (D23) as shown.



### STEP 20

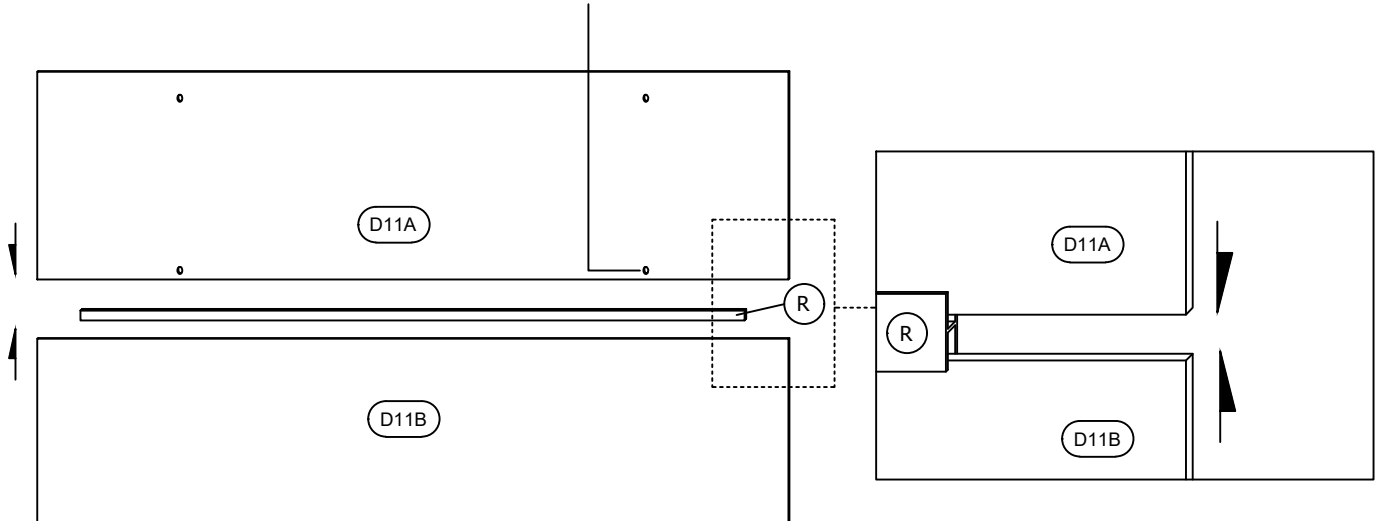
Combine the (D1) to the frame then tighten the remaining 12 pieces (A)-(pre insert in step 1,2,4,6 and 7) as shown.



**STEP 21**

Put the (D11A) and (D11B) to the gap of (R) as shown. Direction of the side with colored paper must be the same.

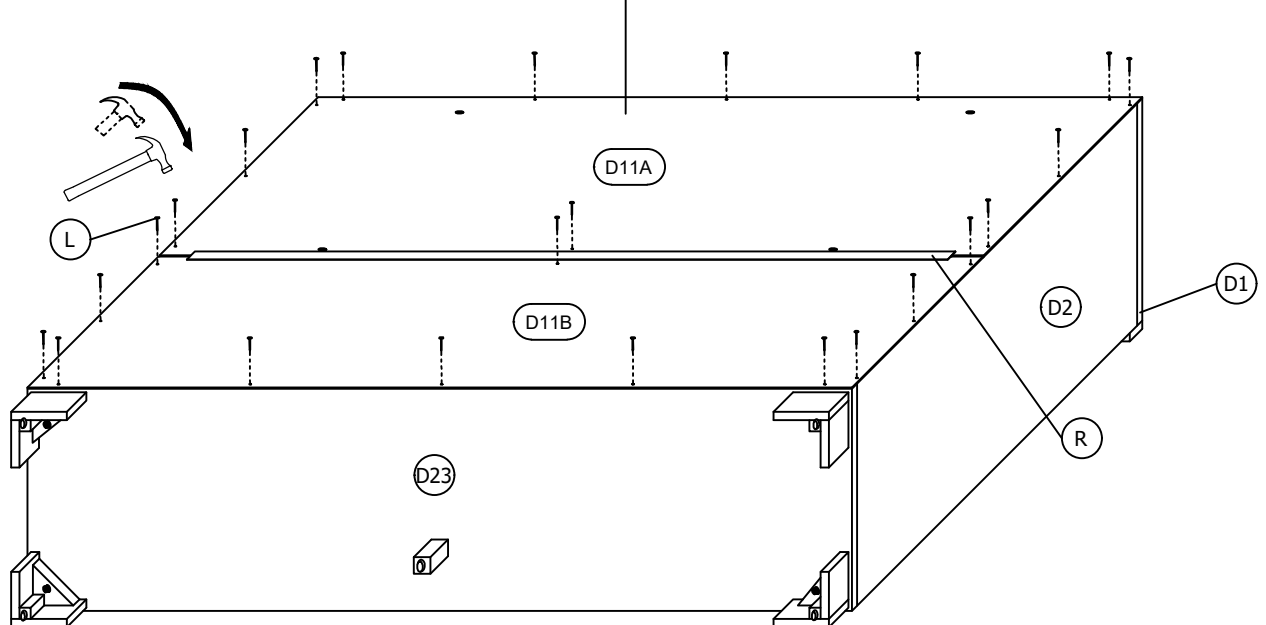
This side closer to the hole needs to face inside



**STEP 22**

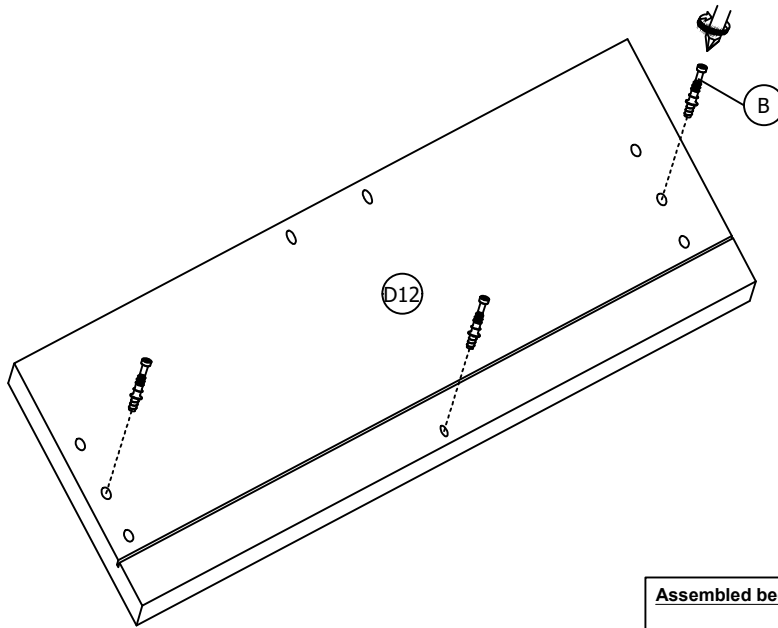
Insert the 24 pieces (L) to fix the (D11A) and (D11B) as shown. Colored paper face to outside. To prevent blocking (D2) and (D3), make sure the (R) at the middle of (D11A) and (D11B), do not over left or right.

(D11A) put on upper side

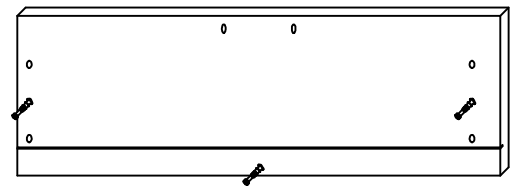


**STEP 23**

Insert 3 pieces (B) to the (D12) as shown. This step needs to be **done three times**.

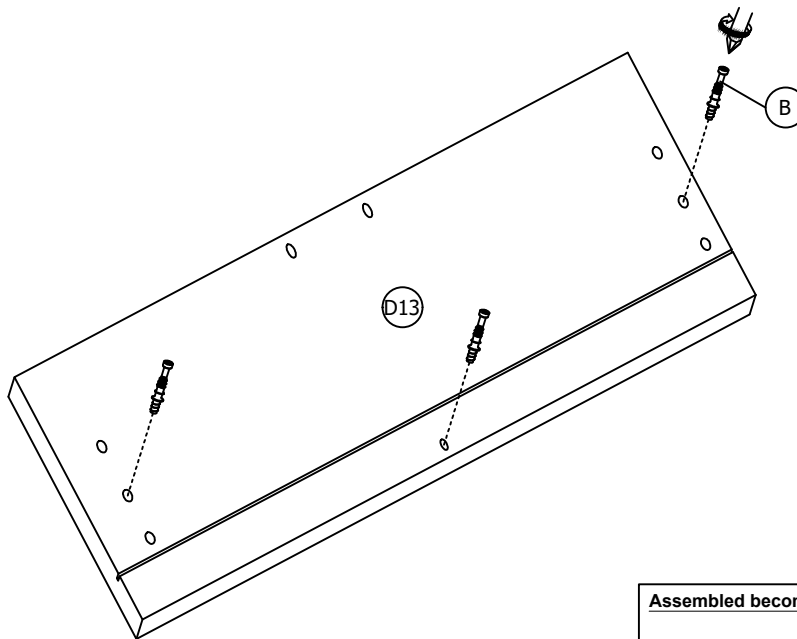


**Assembled become like this**

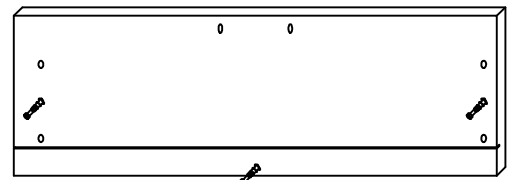


**STEP 24**

Insert 3 pieces (B) to the (D13) as shown. This step needs to be **done three times**.

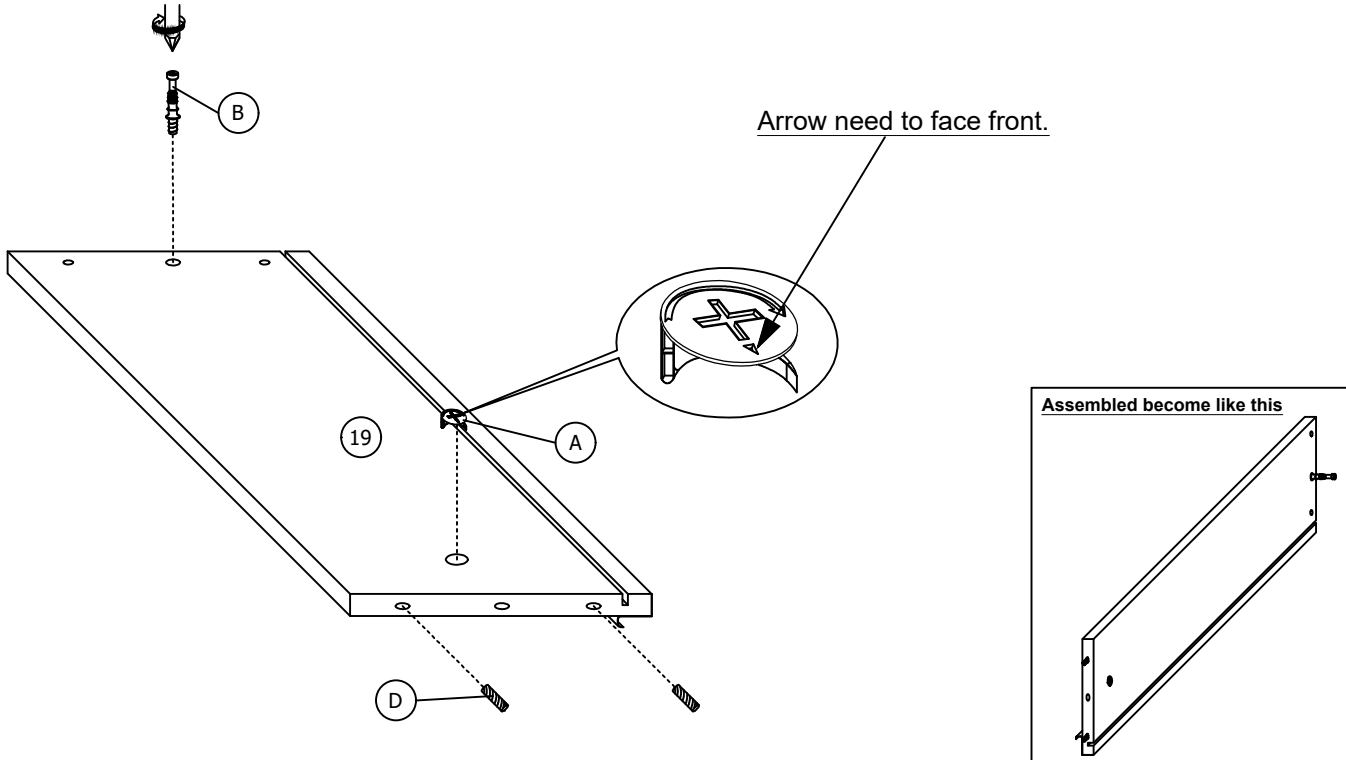


**Assembled become like this**



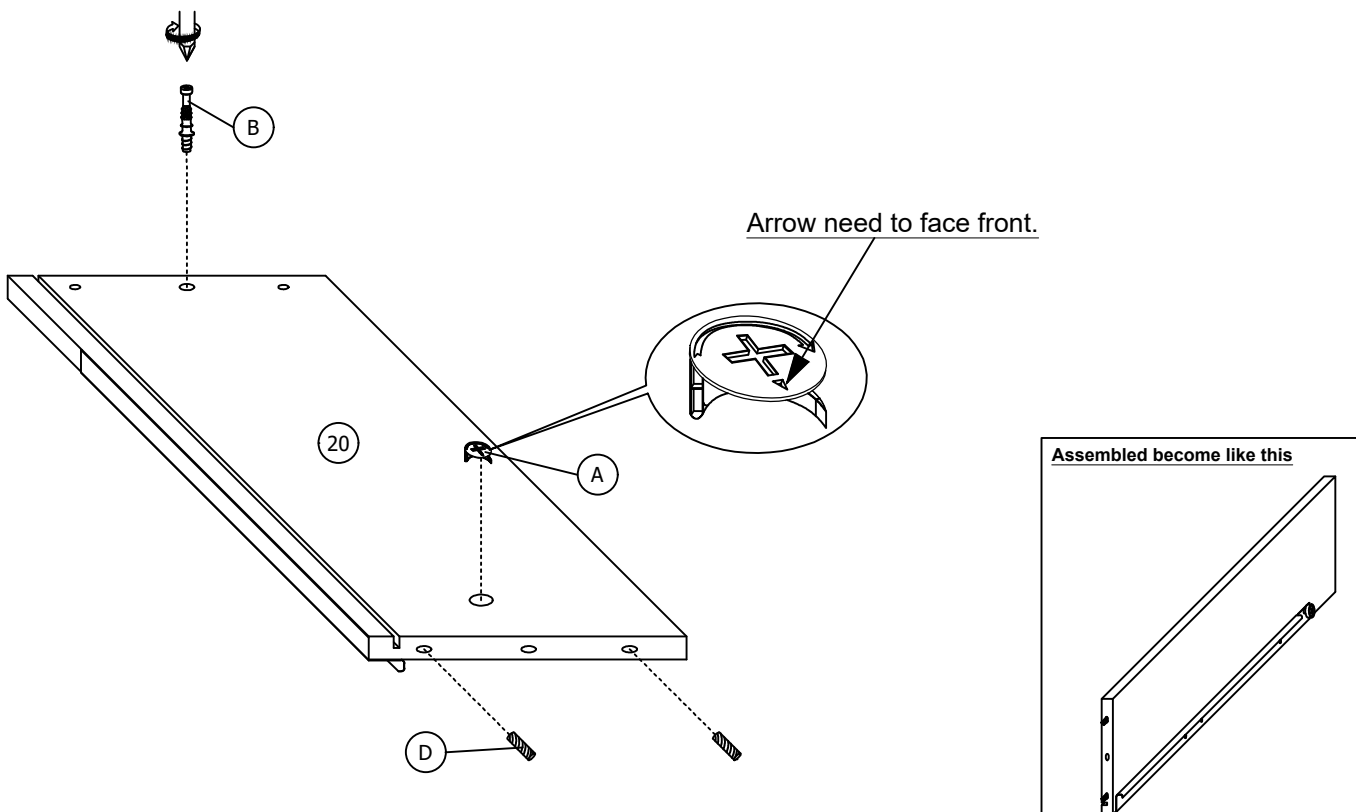
**STEP 25**

Insert 1 piece (A),(B) and 2 pieces (D) to (19) as shown. This step needs to be **done six times**.



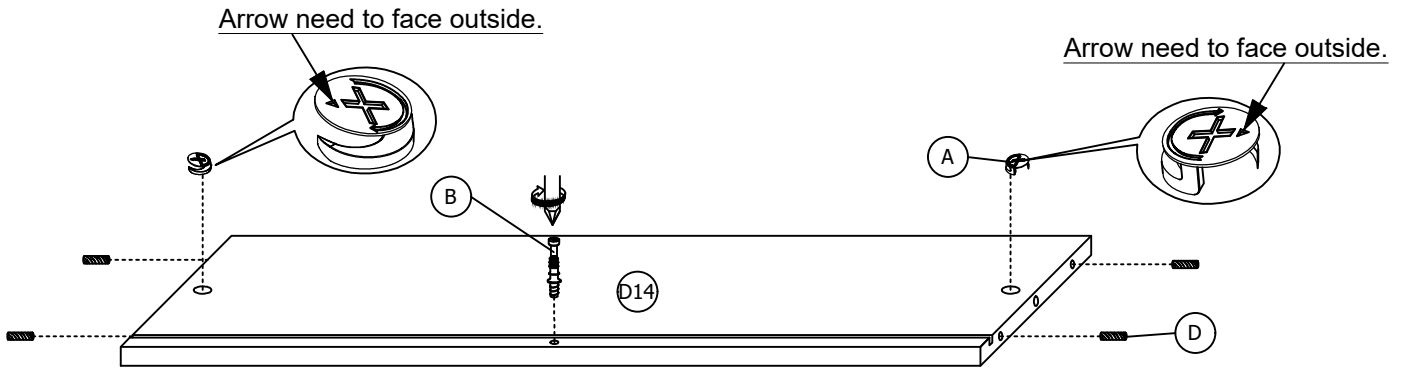
**STEP 26**

Insert 1 piece (A),(B) and 2 pieces (D) to (20) as shown. This step needs to be **done six times**.



**STEP 27**

Insert 2 pieces (A) , 1 piece (B) and 4 pieces (D) to (D14) as shown. This step needs to be **done six times**.

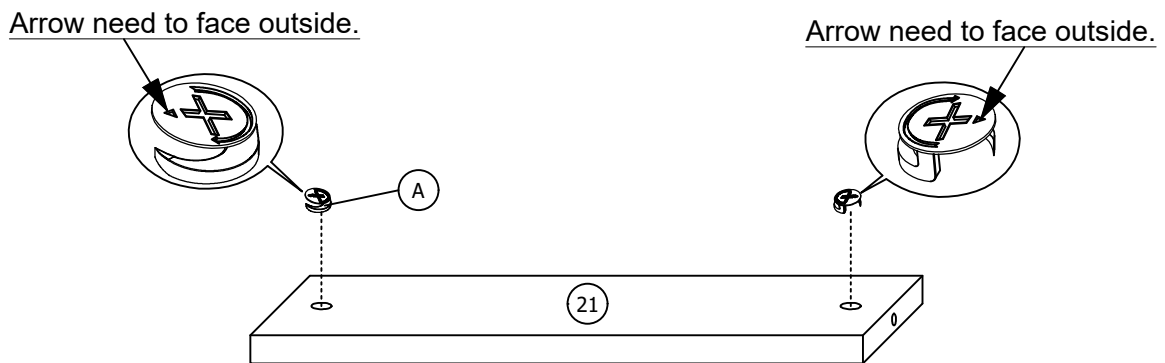


**Assembled become like this**

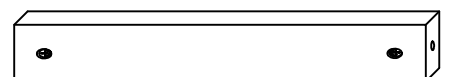


**STEP 28**

Insert 2 pieces (A) to (21) as shown. This step needs to be **done six times**.

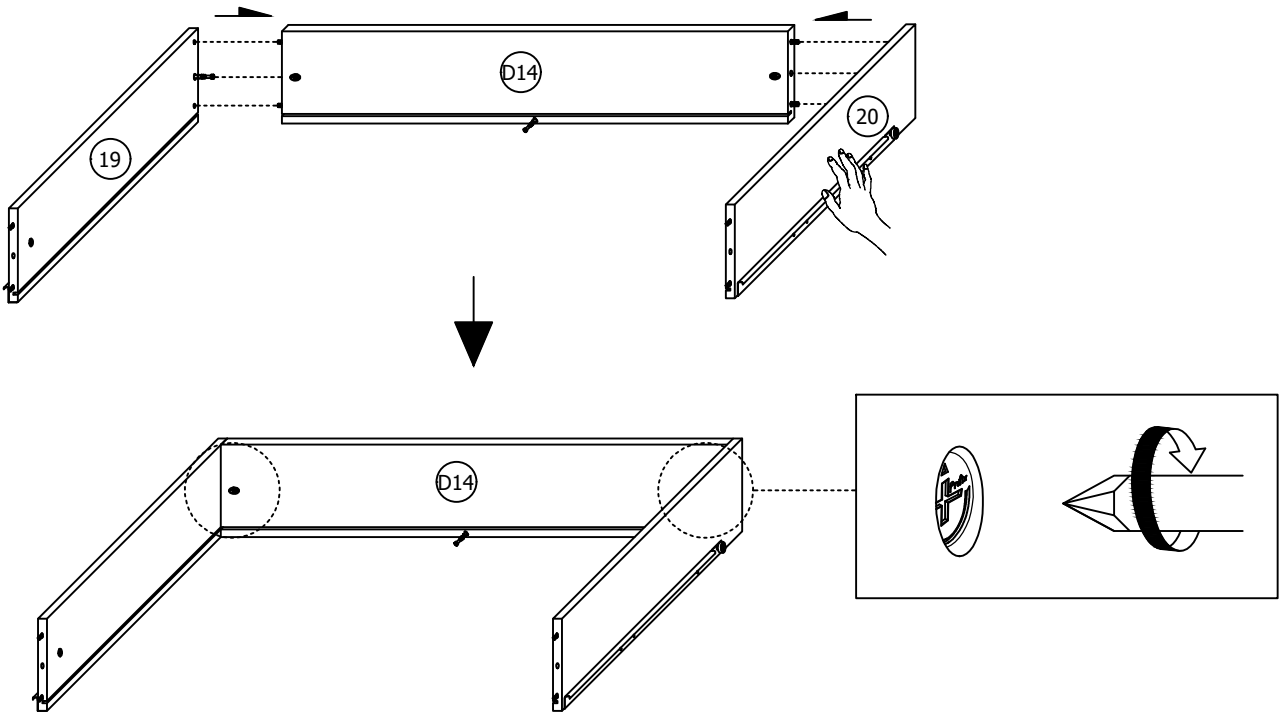


**Assembled become like this**



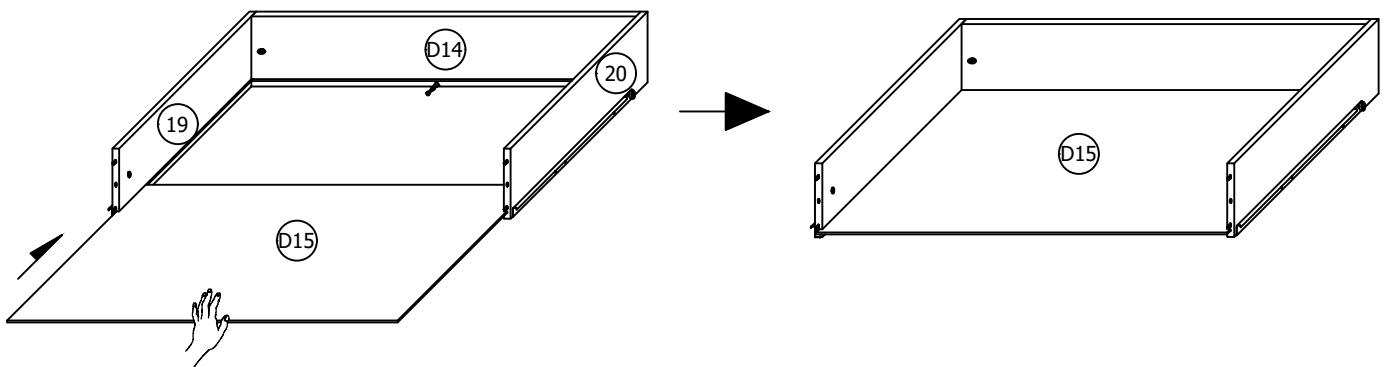
**STEP 29**

Combine (19) and (20) to (D14) then tighten the 2 pieces (A)-(pre-insert in step 27) as shown. This step needs to be **done six times**.



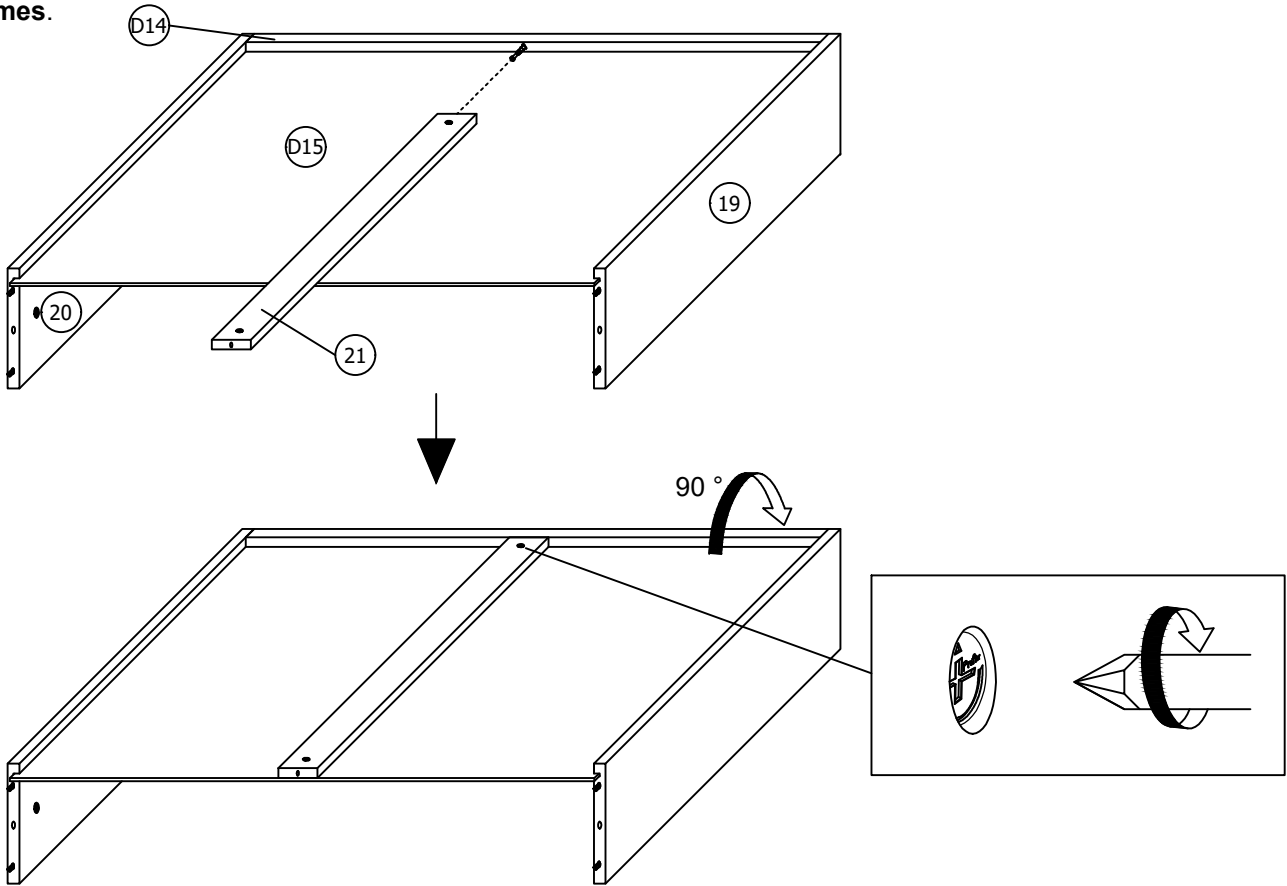
**STEP 30**

Put the (D15) into the gap of (19),(20) and (D14) as shown. This step needs to be **done six times**.



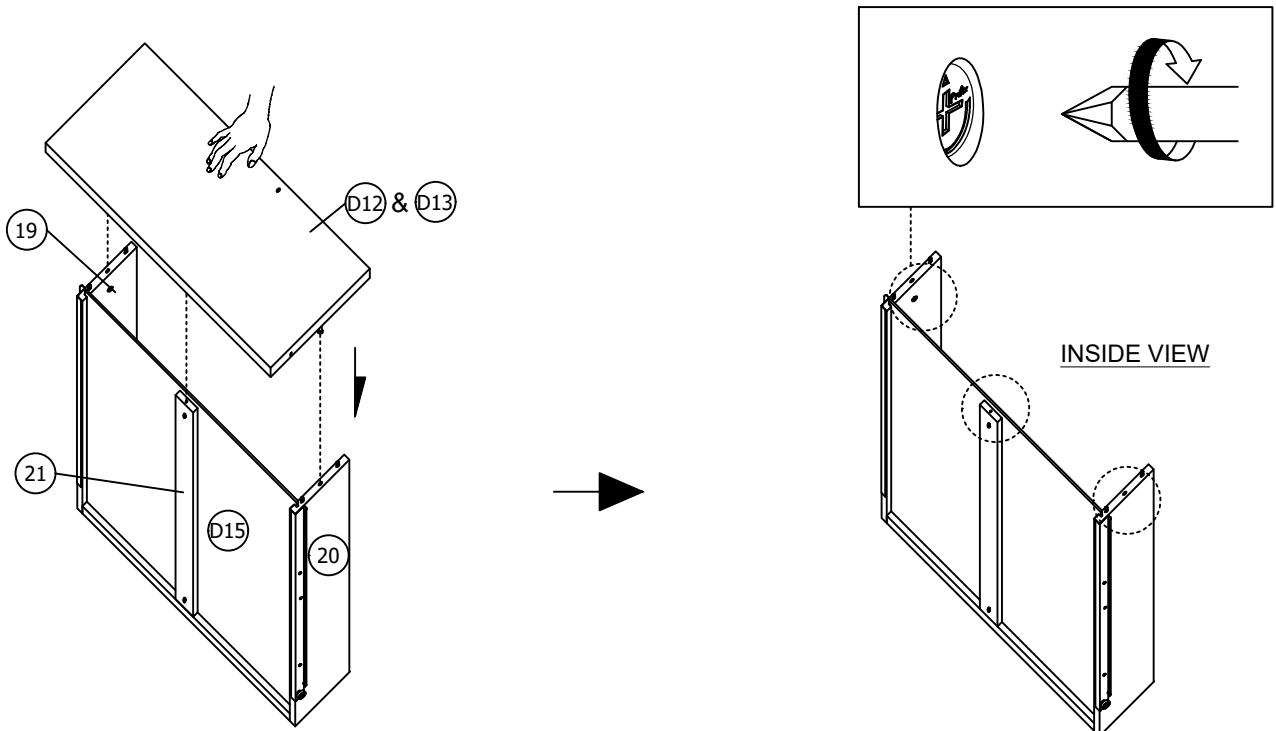
**STEP 31**

Combine the (21) to the (D14) then tighten the 1 piece (A)-(pre-insert in step 28) as shown. This step needs to be **done six times**.



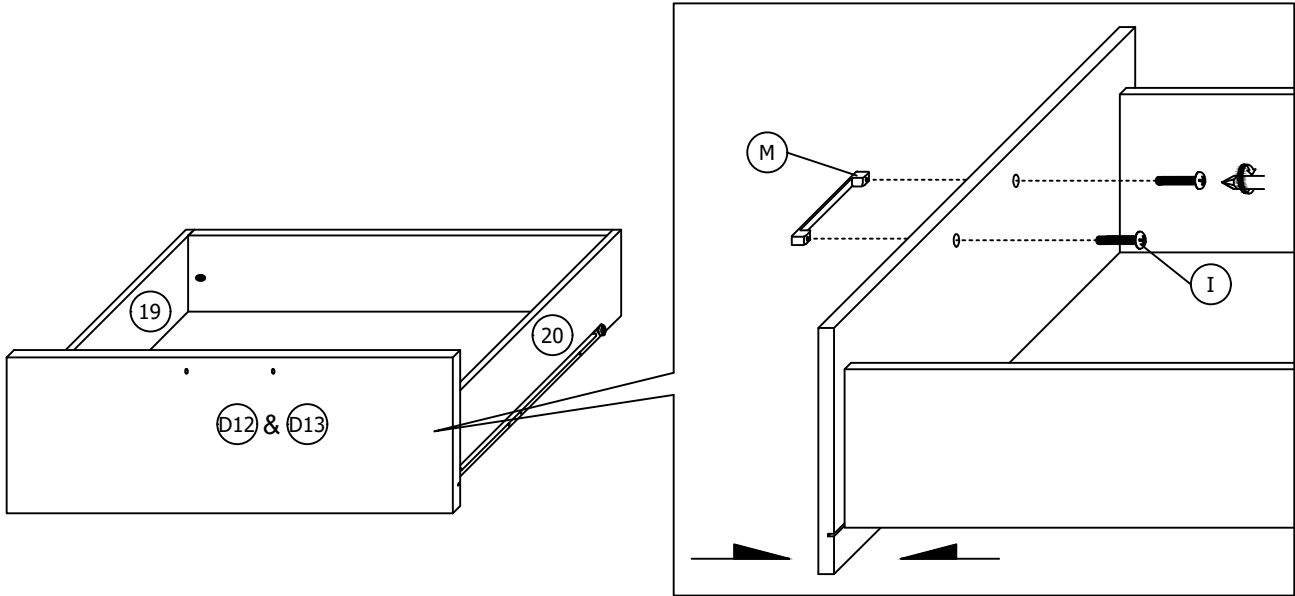
**STEP 32**

Combine the (D12) and (D13) to the drawer frame. Then tighten the 3 pieces (A)-(pre-insert in step 25,26 and 28) as shown. This step needs to be **done six times**.



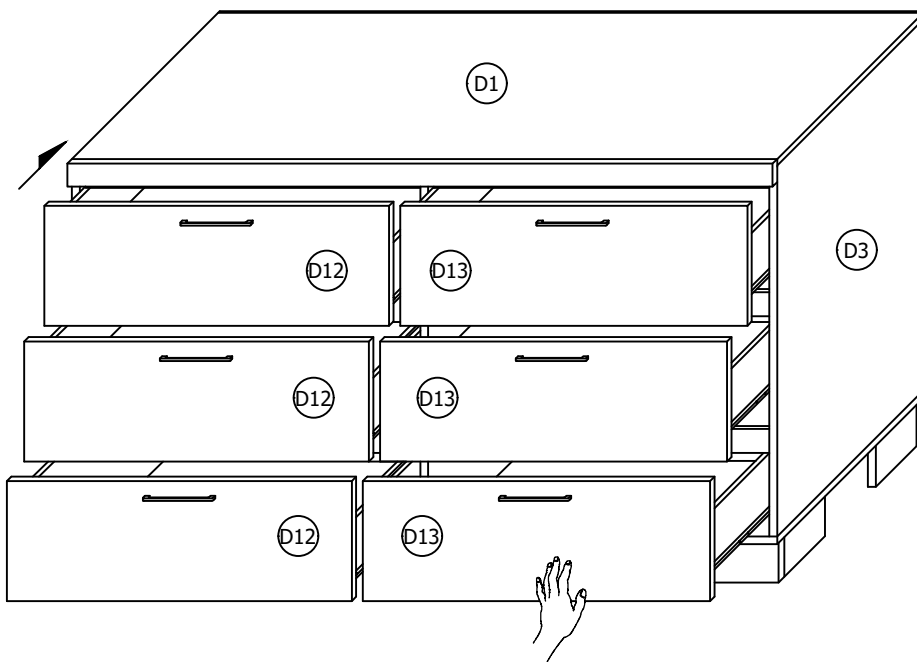
**STEP 33**

Insert 2 pieces (I) fix the (M) as shown. This step needs to be **done six times**.



**STEP 34**

Align the position then push the 6 pieces drawer to inside exactly by your hand as shown.



**STEP 35**



## WALL STUD

### SAFETY BRACKET INSTRUCTIONS

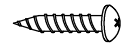
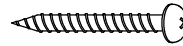
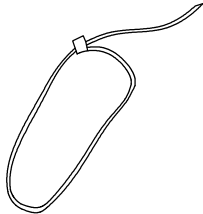
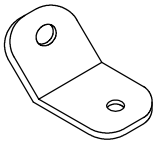
Part Enclosed :

A) Bracket

B) Safety Strap

C) 50mm Pan Head Screw

D) 17mm Pan Head Screw



2x

1x

1x

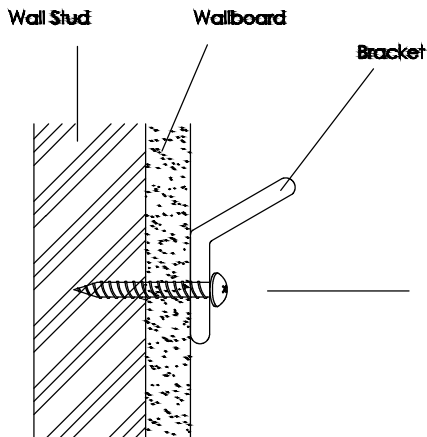
1x

**IMPORTANT:** Tipping can injure young children. Use of this safety hardware is highly recommended. This safety hardware, when properly installed, can provide furniture protection against unexpected accidental tipping of furniture due to improper use.

#### Step 1

Attach a bracket to the wall board with the 2" screw provided:

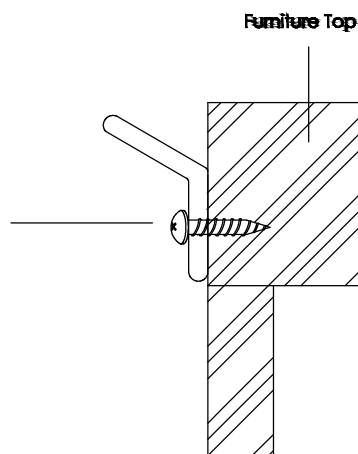
- . It is recommended that you locate a wall stud behind the furniture unit. If the wall stud is not used, a suitable "Hollow-Wall Anchor Bolt" (not provided) should be used in lieu of the wall stud.
- . Position the wall bracket on the stud about 1" below the top of furniture piece.
- . Mark the position for the bracket placement on the wall and drill a pilot hole into the stud.
- . Attach the bracket to the back of the furniture with the 2" screws provided.



#### Step 2

To attach a bracket to the Furniture Frame below to top with the short screws provided :

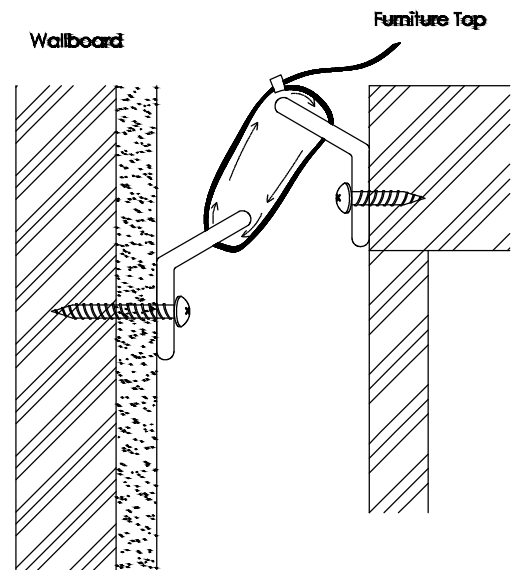
- . Move the furniture piece temporarily to its final position to the wall.
- . Mark the location of the bracket on the back of the furniture in relation to the previously mounted wall bracket.
- . Move the furniture piece away from the wall mounted bracket and place the other bracket on the mark position on the back of the furniture piece.
- . Drill a pilot hole as shown in the figure or into the back furniture frame.
- Caution:** Make sure you do not drill completely through the back of the furniture.
- . Attach the bracket to the back of the furniture with the 5/8" screws provided.



#### Step 3

To Attach the safety strap:

- . Move the furniture back to its final position.
- . Thread the safety strap through both of the mounted brackets as shown in the illustration.
- . Tighten the strap unit snug.
- . Do not over tighten.



**IMPORTANT:** Make sure the brackets are firmly attached to the wall stud and furniture frame and the safety strap is snug.

**Warning:** This product is not to be a substitute for proper parental supervision which is the only proper deterrent to prevent improper use of this unit. The manufacturer assumes no liability for improper installation or excessive loads placed on the safety straps, bracket or mounting screws. This hardware will not insure against tipping.

**Note:** For taller or heavier pieces of furniture, two safety brackets may be installed.

This sticker was stucked at one of the DRAWER LEFT PANEL(19).

<b>⚠ WARNING</b>	
	<b>Children have died from furniture tipover. To reduce the risk of furniture tipover:</b> <ul style="list-style-type: none"><li>• ALWAYS install tipover restraint provided.</li><li>• NEVER put a TV on this product.</li><li>• NEVER allow children to stand, climb or hang on drawers, doors, or shelves.</li><li>• NEVER open more than one drawer at a time.</li><li>• Place heaviest items in the lowest drawers.</li></ul> <p><i>This is a permanent label. Do not remove!</i></p>
	

Place the drawer which stucked a warning label in the top as shown.

