













Assembly Instructions

Thank you for purchasing this quality product. Be sure to check all packaging material carefully for small parts that may have come loose inside the carton during shipment.








COMPONENT LIST:

FIGURE	DESCRIPTION	QTY
	Hardware Bag	1 pce
	Table Top	1 pce
	Apron Hinge	4 pcs
	Leaf Hinge	3 pcs
	Table Lock	4 pcs
	Support Leaf Hinge	2 pcs
	Leaf Apron	2 pcs
	Leg Stretcher	1 pce
	Wood Block	2 pcs
	Mounting Plate	2 pcs

COMPONENT LIST:

FIGURE	DESCRIPTION	QTY
	Trestle	2 pcs
	Adjustable Leveler	4 pcs

HARDWARE LIST:

PART NO	FIGURE	DESCRIPTION	QTY
1		Hex Nut	4pcs
2		Lock Washer	8 pcs
3		Flat Washer	4 pcs
4		Wrench	1 pc
5		JCBB Bolt	4 pcs
6		Flat Washer (small)	4 pcs
7		Allen Key M5	1 pc

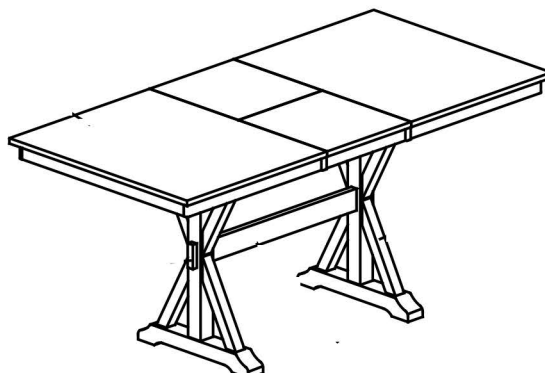
This product will take 15-20 minutes to assemble.

Reminders

1. Use only the hardware supplied.
2. Once the product is assembled, level and tighten all the bolts.
3. Do not over-tighten bolts.
4. This item may require periodic tightening

NOTE:

1. Two or two people are needed for assembly
2. Please keep all hardware parts out of the reach of children.



Assembly Instructions

ASSEMBLY :

STEP 1

1.1- Step 1.1 Attach the Leg stretcher to the Trestle using the supplied hardware as shown in Fig.1 Add wood block as shown in Fig.1

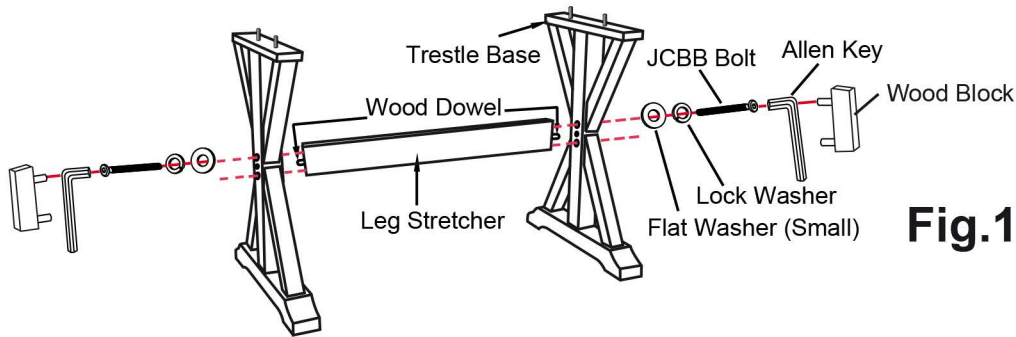


Fig.1

Base Assembly

STEP 2

2.1- Place the Table Top upside down on a soft Protective surface such as a carpet. **REMOVE AND DISCARD THE TEMPORARY WOOD STRIP MARKED AS "REMOVE"** as shown on Fig 2 .Once wood strip is remove flip table to upright position.

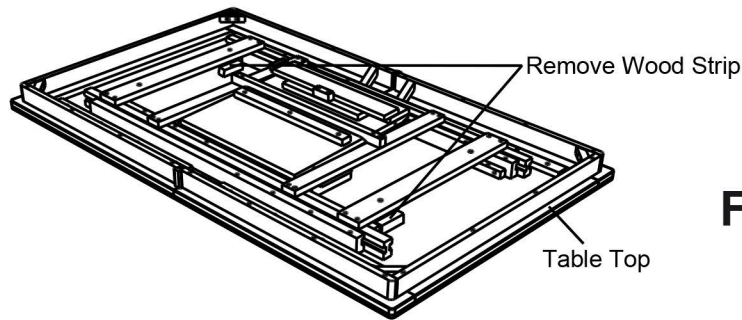


Fig.2

STEP 3

3.1-Unlock the hook lock from underneath the table Top and pull the table from both ends. Attached Base assembly to the table top mounting plate using the supply hardware as shown on Fig.3

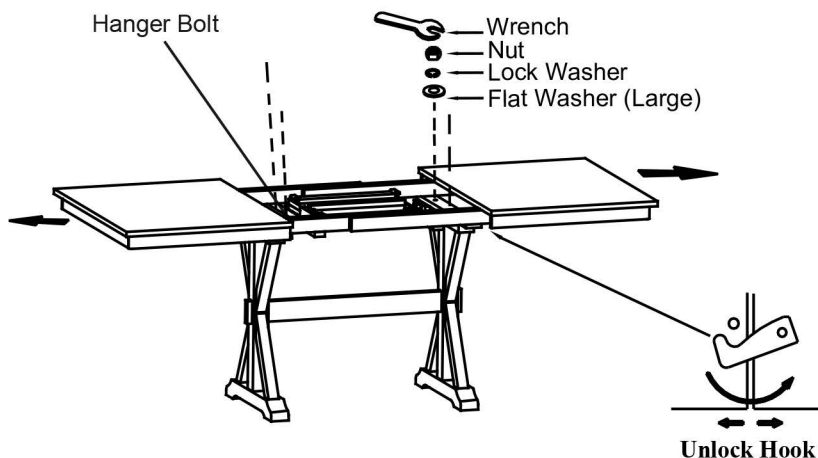


Fig.3

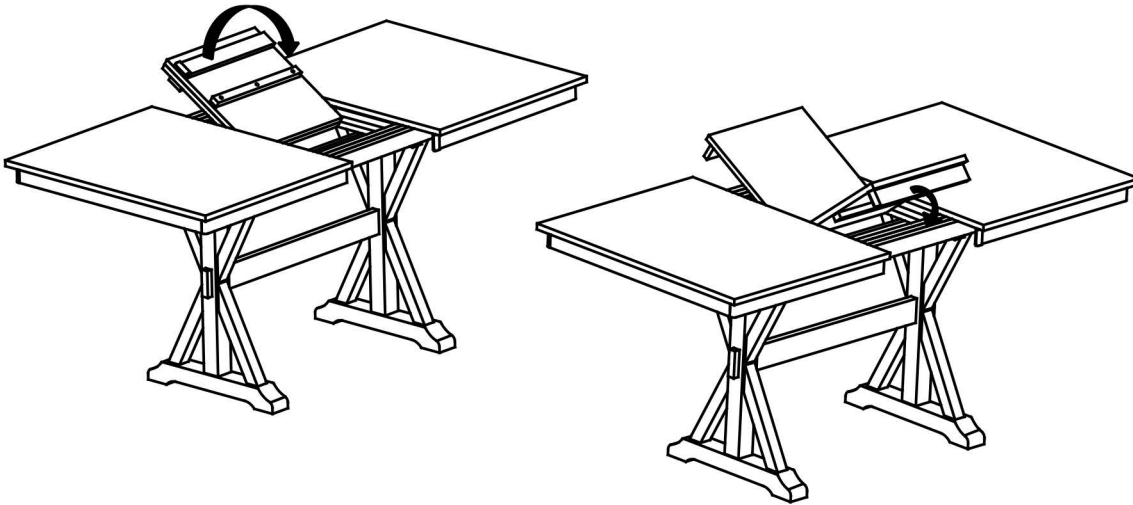
Assembly Instructions

ASSEMBLY :

STEP 4

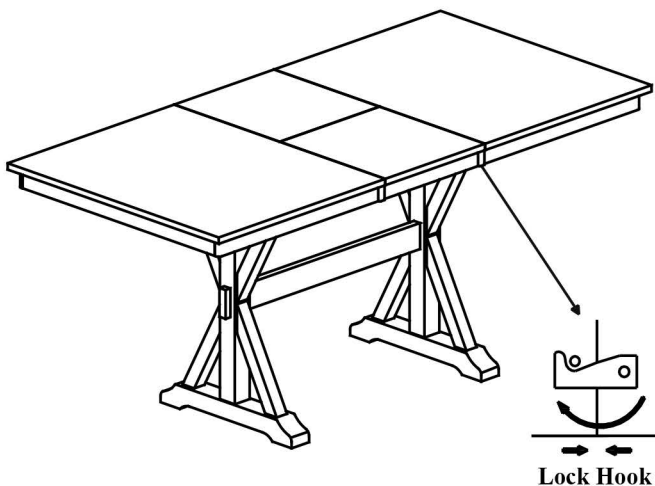
4.1-Lift both leaves from the compartment.

4.2-Flip up the aprons and unfold leaf and place the leaf on the table top surface carefully.



STEP 5

5.1-Push table top from both ends to close. Lock the hooks underneath the table.



Assembly is now Completed.

CARE INSTRUCTION

- ~ Be sure to use the same type of polish consistently. Your furniture will appear cloudy or streaky if oil based or wax based polishes are interchanged.
- ~ Spray your furniture surface evenly. Wipe in a circular motion with a soft clean cloth.