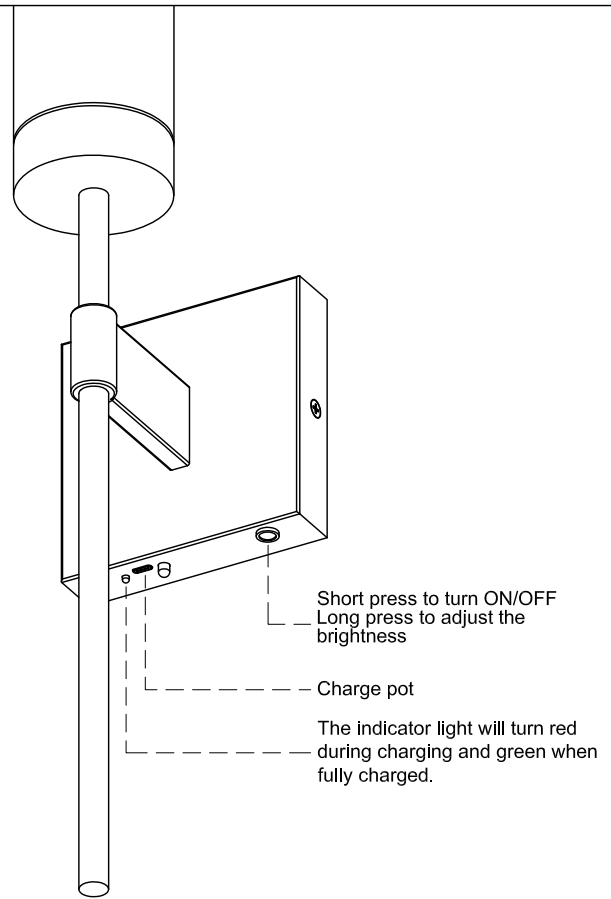


LED Remote Control



Product Features

- Remote Control: Easy to adjust brightness, and turn on/off from a distance.
- Rechargeable Battery: Environmentally friendly with long battery life.

Specifications

- Charging Voltage: DC5V
- Power Consumption: 4W
- Luminous Flux: 400 lumens
- Battery Capacity: 8000 mAh
- Charging Time: Approximately 2~4H
- Operating Temperature: -20°C to +40°C
- Use time: 36 hours
- Service Life: Up to 50,000 hours

Quick Start Guide

1. Charging:
 - Connect the charging cable to the lamp and plug it into a USB power source.
 - The indicator light will turn red during charging and green when fully charged.
2. Installation:
 - Screw the bulb into a standard socket.
 - Remove the plug and place it on any flat desktop
3. Using the Remote Control:
 - Use the buttons to adjust the brightness, and turn on/off.

Troubleshooting

- **Bulb Does Not Turn On:**
 - o Check if the bulb is properly installed and the power is on.
 - o Ensure the battery is charged.
- **Remote Not Working:**
 - o Replace the batteries in the remote control.
 - o Try resetting the remote by removing the batteries for a few minutes and reinserting them.
 - o Make sure you are within the operating range of the remote (up to 8 meters).
 - o Ensure that there are no obstructions or strong current interferences between the remote control and the light bulb.

Warranty Information

- This product comes with a 1 years warranty.
- For warranty claims, please contact our customer support with your purchase receipt and details of the issue.

Disposal

- This product contains batteries, please do not dispose of them at will to avoid polluting the environment.
- Please dispose of this product responsibly according to local regulations.