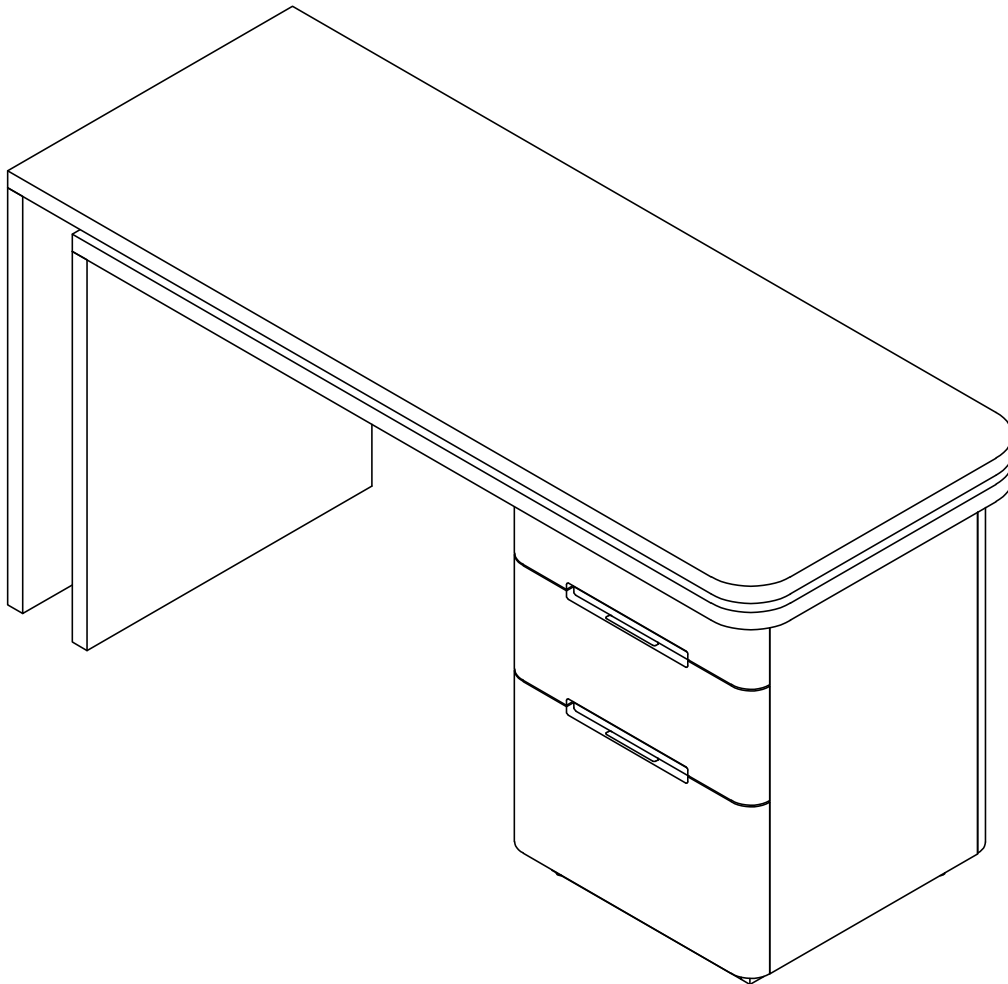


# ASSEMBLY INSTRUCTIONS

## EXECUTIVE DESK


SKU-N751P383638/39

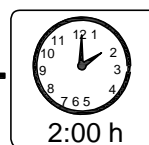
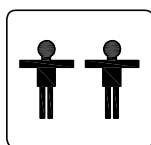
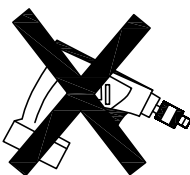


Thank you for purchasing this quality product. Be sure to check all packing material carefully for small parts which may have come loose inside the carton during shipment. Separate, identify and count all parts and hardware.

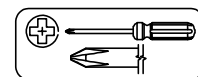
Compare with the parts list to be sure all parts are present.

**DO NOT TIGHTEN SCREWS UNTIL COMPLETELY ASSEMBLED**

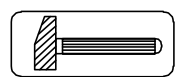
  
\*Use of power tool to assemble this product will invalidate any claim and damage this product making unsafe!!!  
\* Please assemble on a clean soft surface to avoid damage.



### Tools Required



(Not included)



(Not included)

**IMPORTANT:**  
**PLEASE READ INSTRUCTION BEFORE STARTING THE ASSEMBLY**

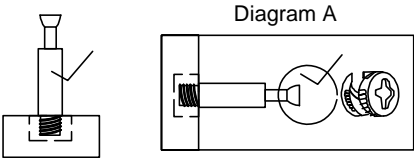
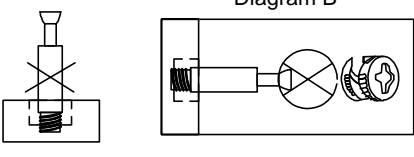
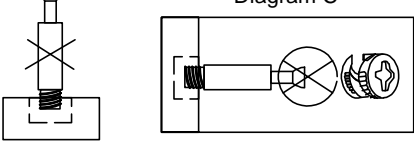
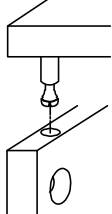
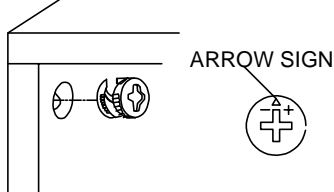
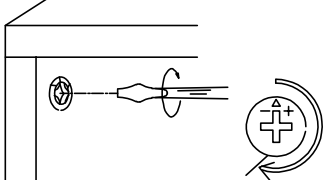
# Before Installation

Important- Please read these instructions fully before starting assembly

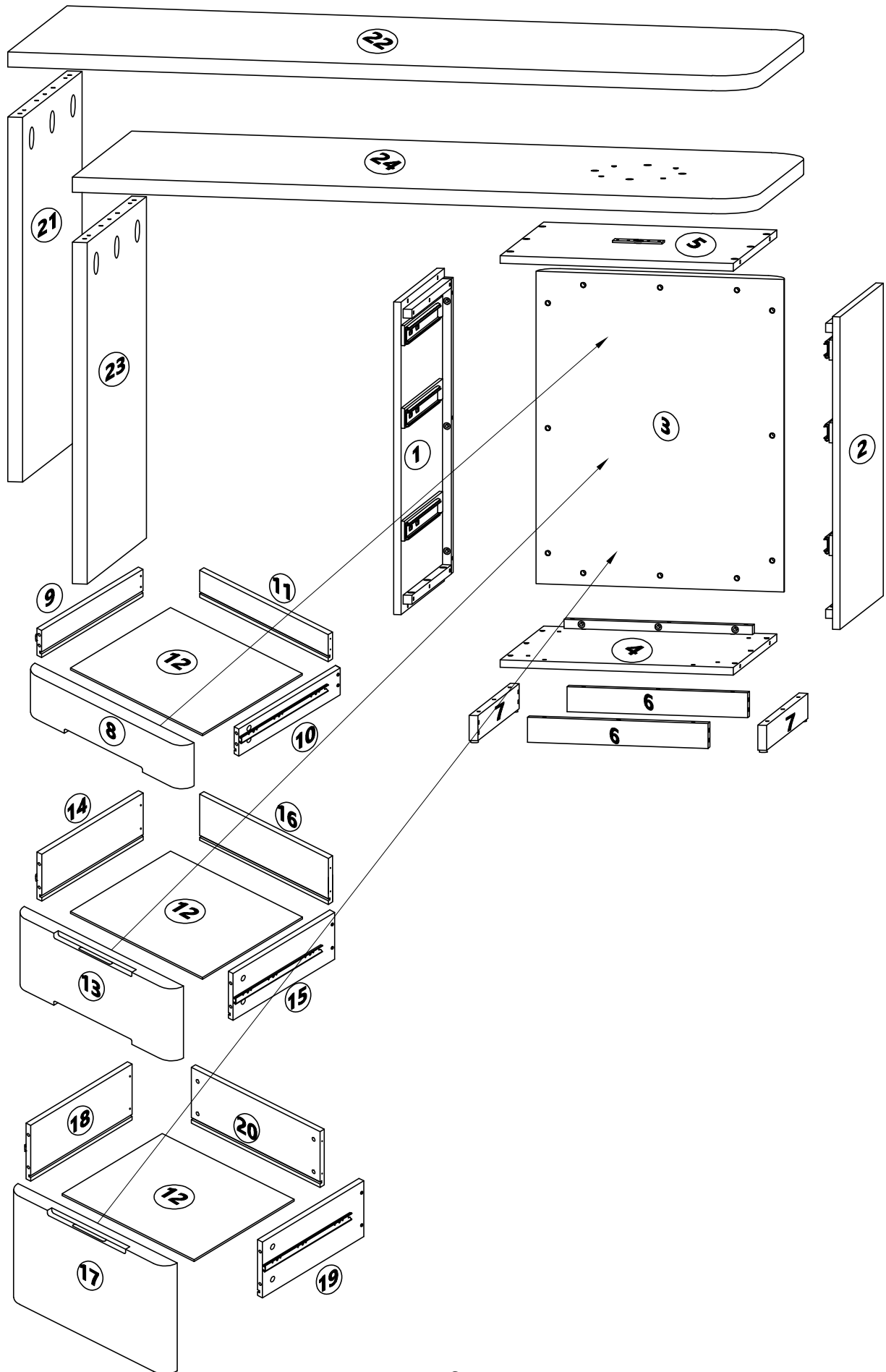
Thank you for purchasing this quality product. Be sure to check all packing materials carefully for small parts, which may have come loose inside the carton during shipment. Identify and count all items according to the PARTS LIST and/or HARDWARE LIST shown below. Check you have all the components and tools listed on the following pages.

- We recommend that you assemble this product with the assistance of another person; this will make the assembly easier, and will help eliminate damage to the product or injury to persons during assembly.
- Please do not over tighten screws or bolts until the assembly is completed.
- Keep children and animal away from the work area, small parts could choke if swallowed.
- Please put all parts on a non-abrasive floor before assembly, and follow the assembly steps to assemble your newly purchased product correctly and efficiently.

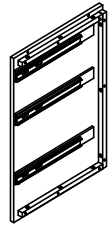
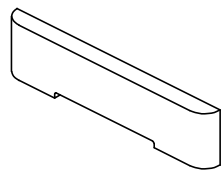
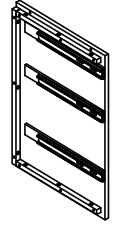
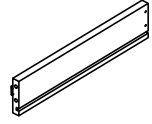
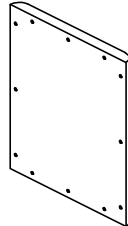
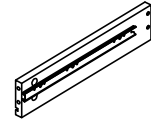
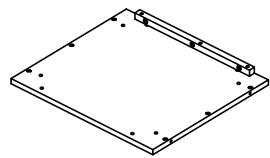
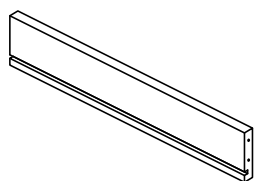
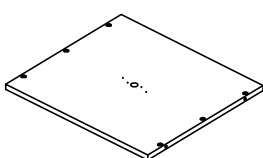
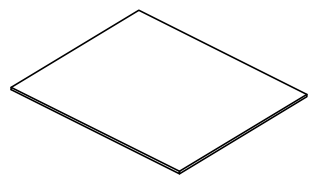
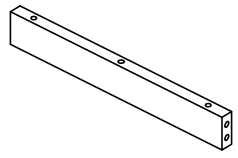
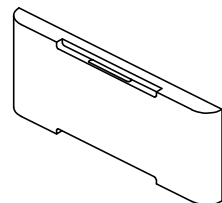
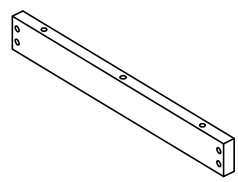
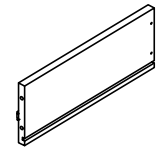
## Cam Lock Assembly Instructions

	<p>Diagram A</p> <p>Insert Cam Ball into hole as shown in diagram A.</p>
	<p>Diagram B</p> <p>Make sure not to insert the Cam Bolt: Too deep as shown in figure B as this will cause the cam Lock to be misaligned and unable to interlock properly.</p>
	<p>Diagram C</p> <p>Also avoid inserting the Cam Bolt too close to the surface of the hole as shown in figure C, as this will cause the Cam Lock to be too loose, and not interlock properly.</p>
	<p>Connect the panels together.</p>
	<p>ARROW SIGN</p> <p>Insert the Cam Lock so the side opening fits over the head of the Cam Bolt.</p>
	<p>To tighten the Cam Lock, turn it clockwise on half a turn with a flat screwdriver. <i>*Do not use an automatic screwdriver as it may bend or break if too much power is imposed.</i></p>

# Detail View

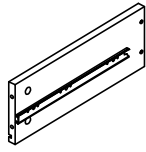


# Part Lists N751P383639

<p><b>1</b></p>  <p>Side Panel (L) - 1pc</p>	<p><b>8</b></p>  <p>Top Drawer Face - 1pc</p>
<p><b>2</b></p>  <p>Side Panel (R) - 1pc</p>	<p><b>9</b></p>  <p>Top Drawer Panel Side (L)- 1pc</p>
<p><b>3</b></p>  <p>Frame Back - 1pc</p>	<p><b>10</b></p>  <p>Top Drawer Panel Side (R) - 1pc</p>
<p><b>4</b></p>  <p>Frame Bottom - 1pc</p>	<p><b>11</b></p>  <p>Top Drawer Panel Rear - 1pc</p>
<p><b>5</b></p>  <p>Frame Top - 1pc</p>	<p><b>12</b></p>  <p>Panel Bottom - 3pcs</p>
<p><b>6</b></p>  <p>Front Lower Crossbar - 2pcs</p>	<p><b>13</b></p>  <p>Middle Drawer Face - 1pc</p>
<p><b>7</b></p>  <p>Lower Hip Bar - 2pcs</p>	<p><b>14</b></p>  <p>Middle Drawer Panel Side (L)- 1pc</p>

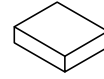
# Part Lists N751P383639

15



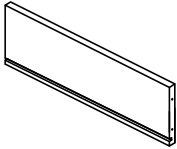
Middle Drawer Panel Side (R) - 1pc

25



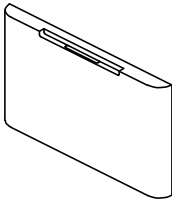
Hardware box - 1pc

16



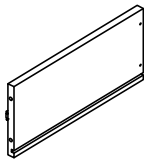
Middle Drawer Panel Rear - 1pc

17



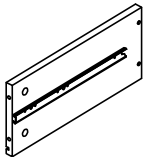
Bottom Drawer Face - 1pc

18



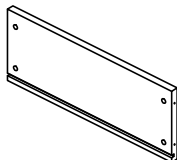
Bottom Drawer Panel Side (L)- 1pc

19



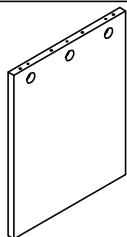
Bottom Drawer Panel Side (R) - 1pc

20



Bottom Drawer Panel Rear - 1pc

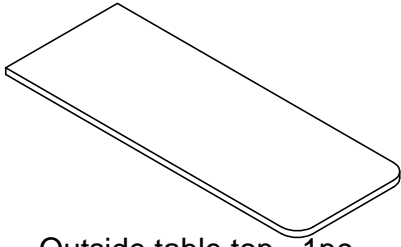
21



Outside table top - 1pc

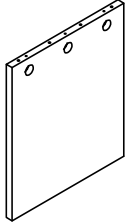
# Part Lists N751P383638

22



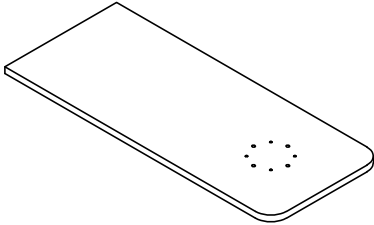
Outside table top - 1pc

23





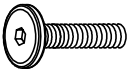
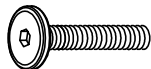
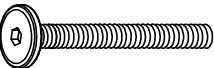
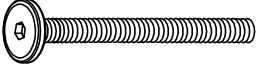
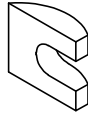



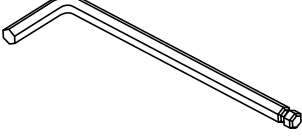
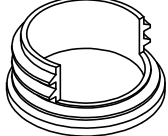
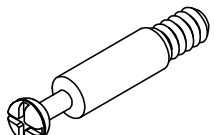

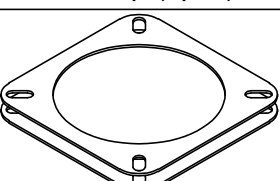
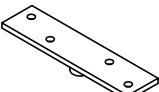

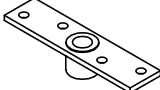
Inner table leg frame - 1pc

24



Inside table top - 1pc

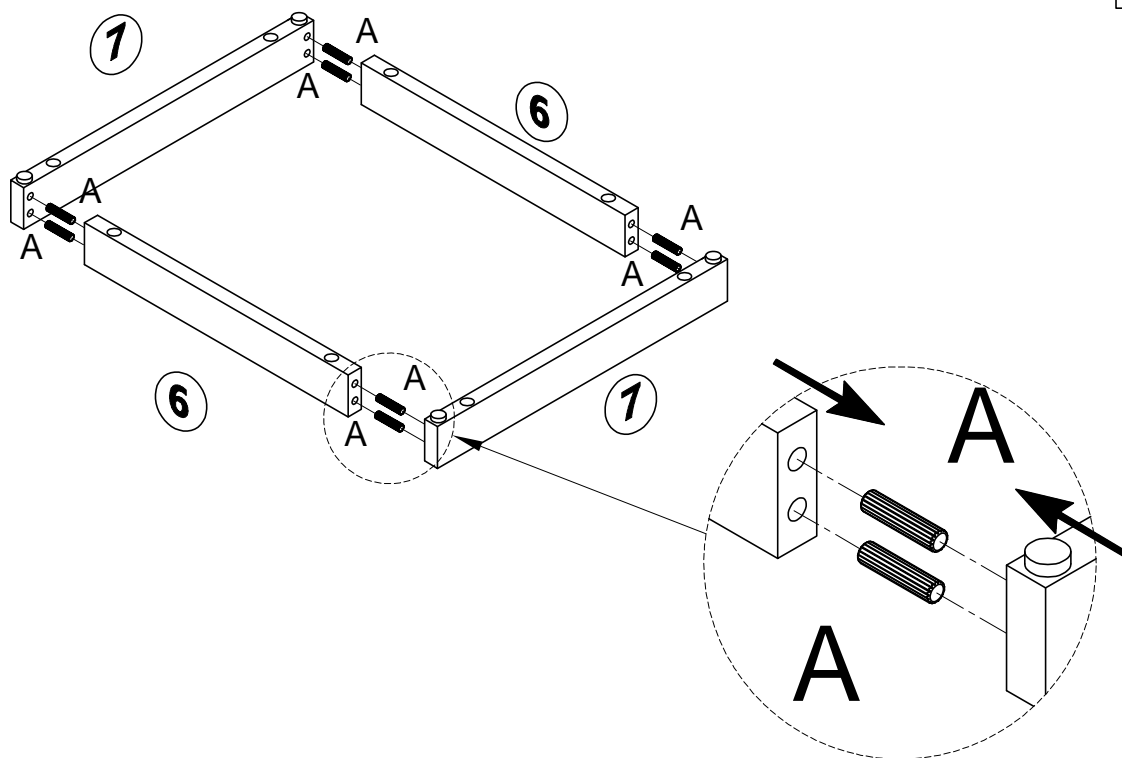
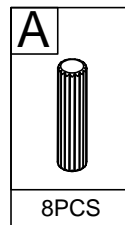
# Hardware Lists N751P383639

<p><b>A</b></p>  <p>Ø8*30mm Wood dowel (20pcs)</p>	<p><b>B</b></p>  <p>Ø10*40mm Wood dowel (8pcs)</p>	<p><b>C</b></p>  <p>M6 x 15mm Head bolt (8pcs)</p>
<p><b>D</b></p>  <p>M6 x 25mm Head bolt (24pcs)</p>	<p><b>E</b></p>  <p>M6 x 40mm Head bolt (8pcs)</p>	<p><b>F</b></p>  <p>M6 x 50mm Head bolt (6pcs)</p>
<p><b>G</b></p>  <p>6*16*23mm Washer (6pcs)</p>	<p><b>H</b></p>  <p>Ø10x10mm Plastic Canopy (12pcs)</p>	<p><b>I</b></p>  <p>Ø8xØ4*50mm Round head screw (12pcs)</p>
<p><b>J</b></p>  <p>Ø4*15mm Flat head screw (8pcs)</p>	<p><b>K</b></p>  <p>K4mm Allen key (1pc)</p>	<p><b>L</b></p>  <p>Ø50*21mm Plastic Cap (6pcs)</p>
<p><b>M</b></p>  <p>Ø6*32mm Three in one bolt (12pcs)</p>	<p><b>N</b></p>  <p>Ø14.5*9.5mm Three in one locks (12pcs)</p>	<p><b>O</b></p>  <p>16*156*156mm Turn table (1pc)</p>
<p><b>P</b></p>  <p>10*24*100mm Iron bowl on (1pc)</p>	<p><b>Q</b></p>  <p>Ø10 Iron ball (1pc)</p>	<p><b>R</b></p>  <p>19*24*100mm Iron bowl below (1pc)</p>

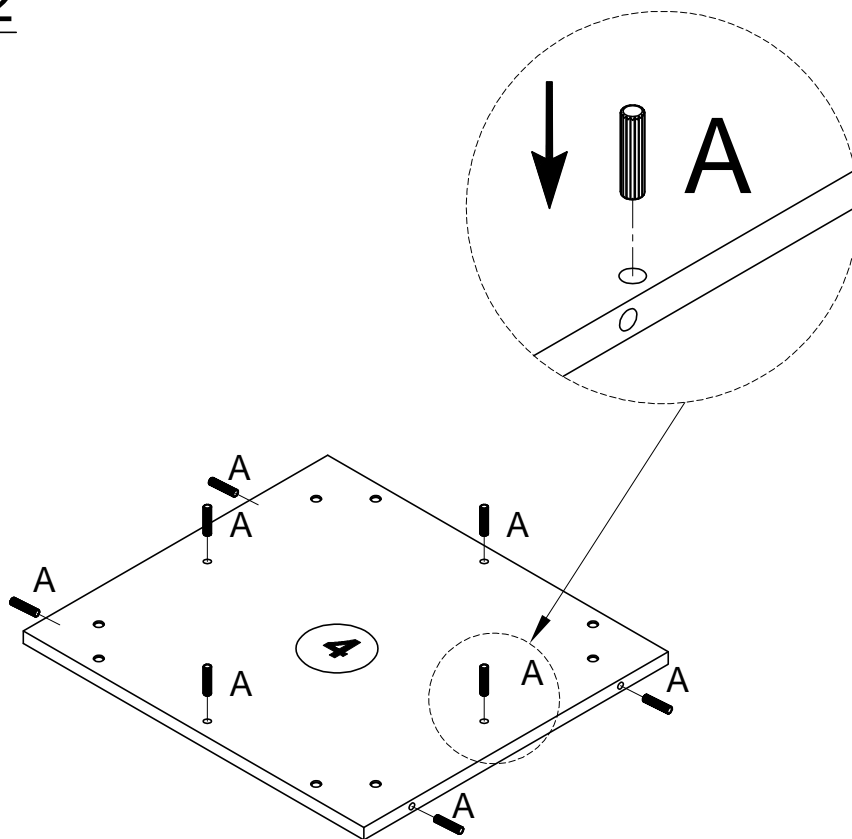
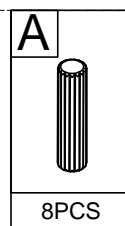
# CABINET ASSEMBLY



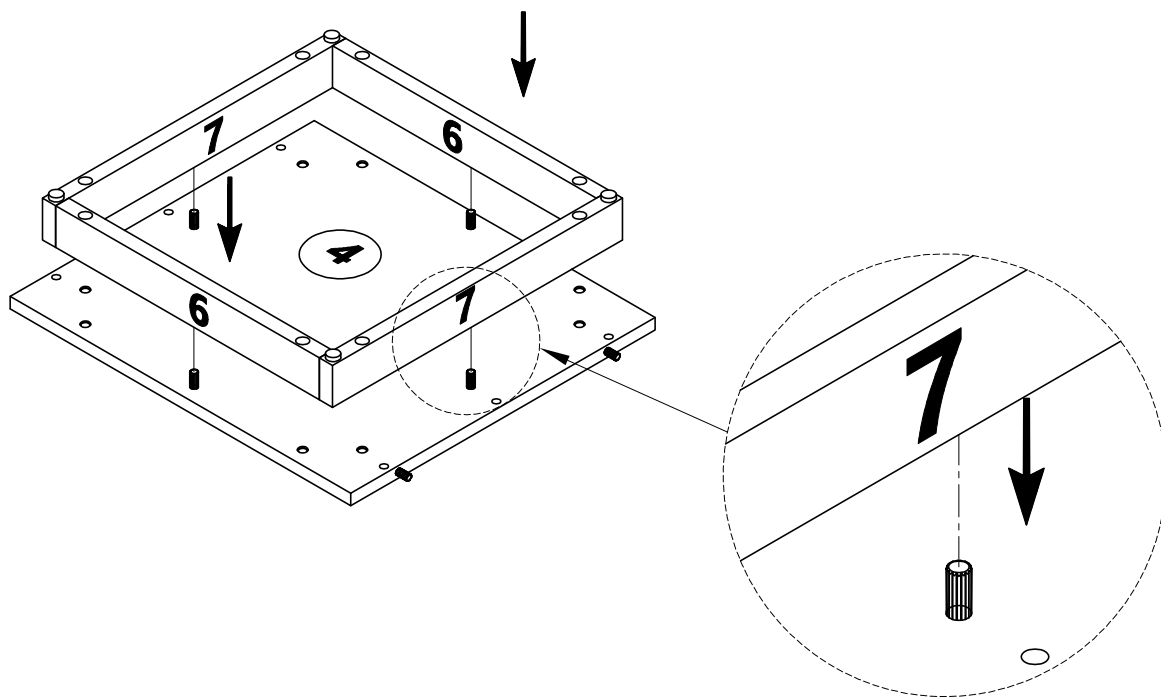
# STEP: 1



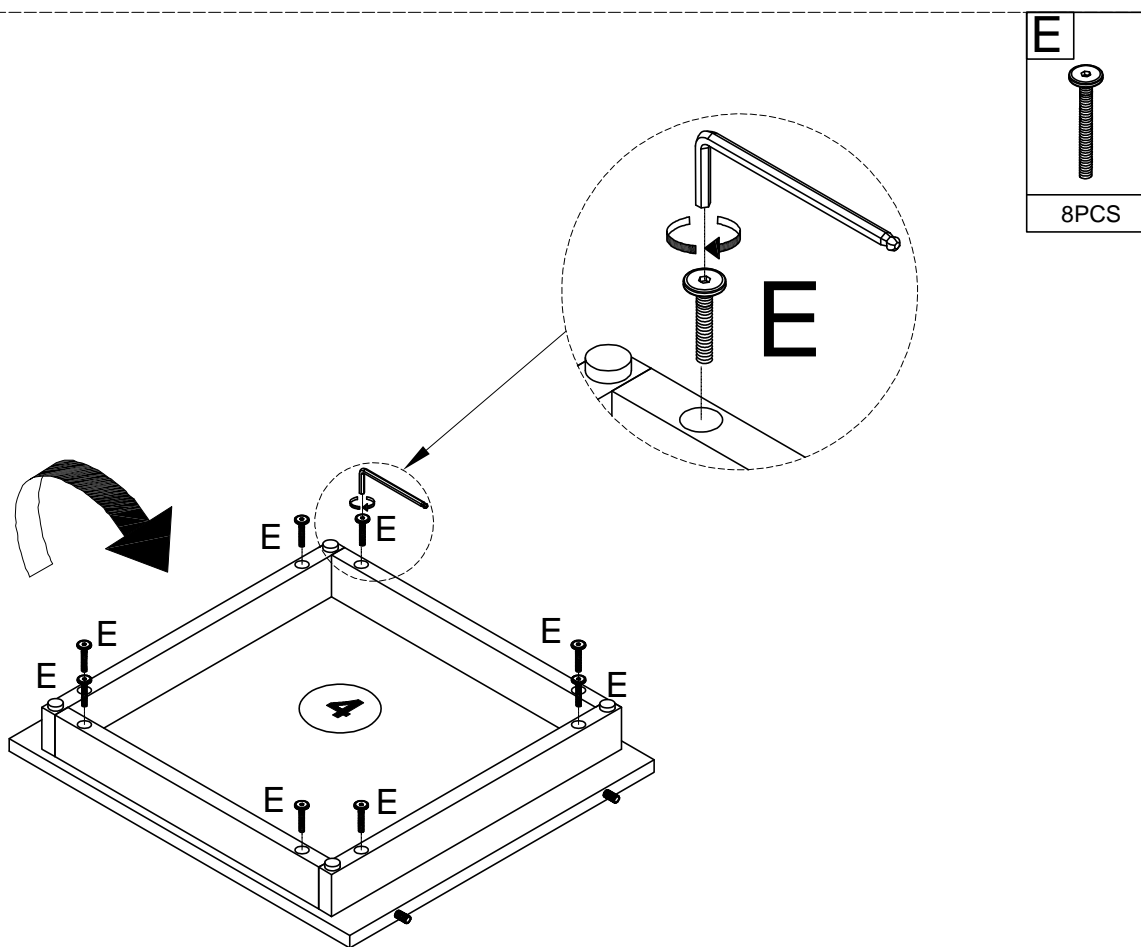
# STEP: 2



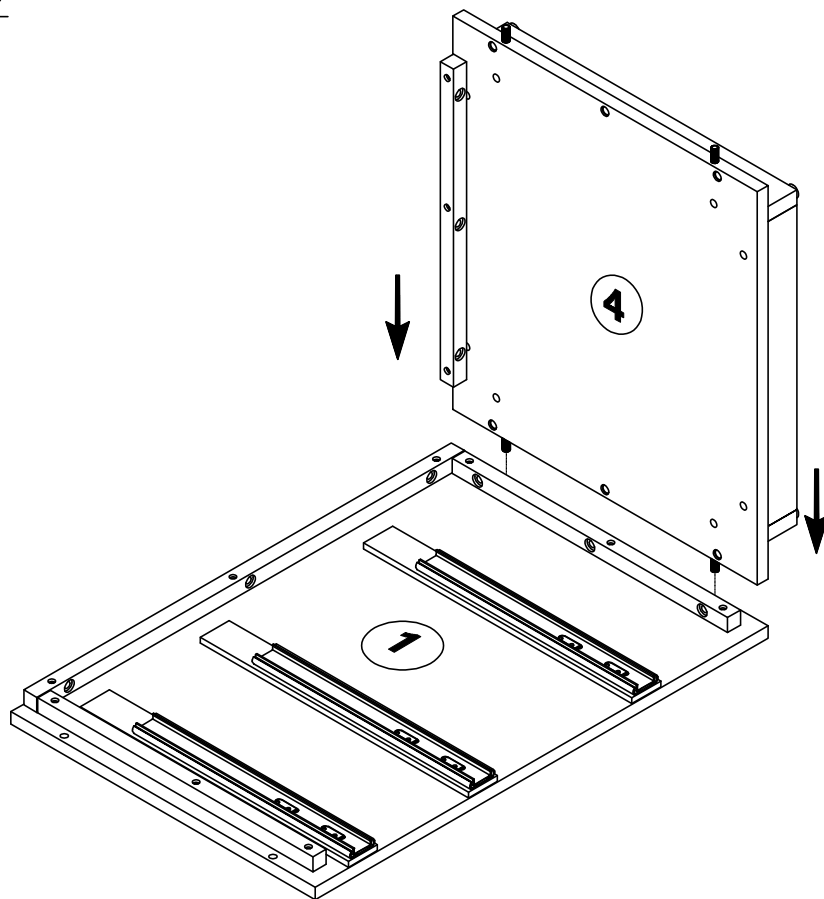
# STEP: 3



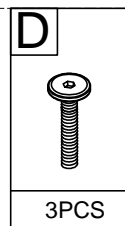
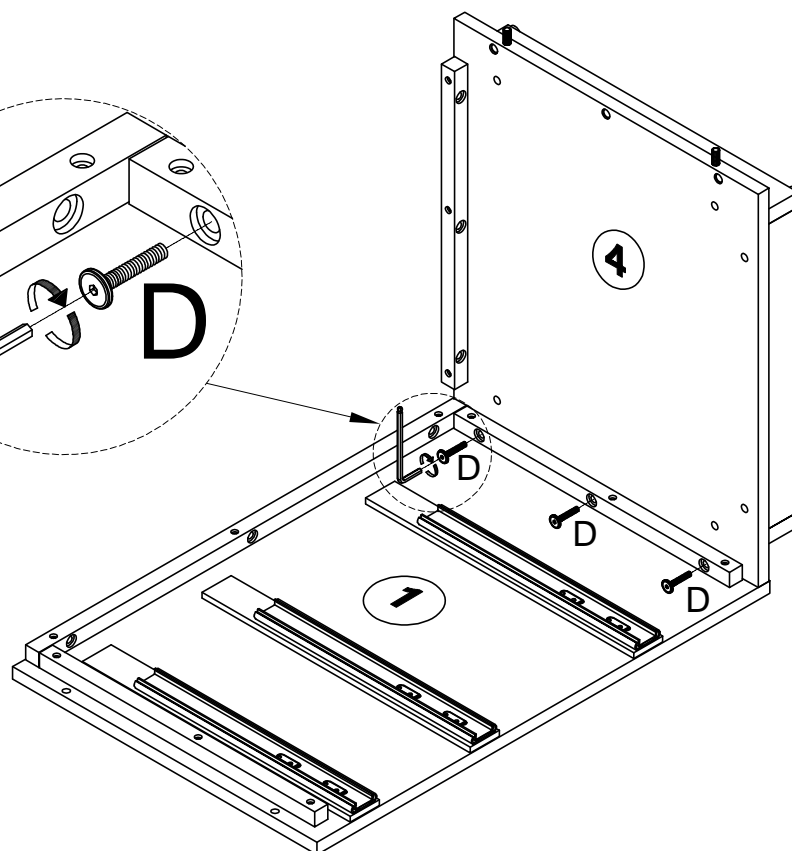
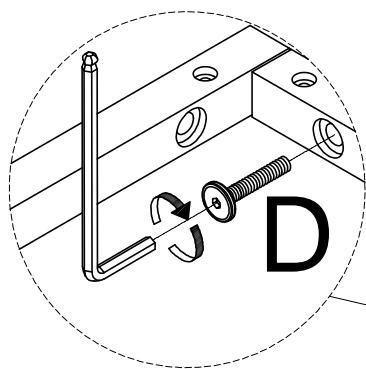
# STEP: 4



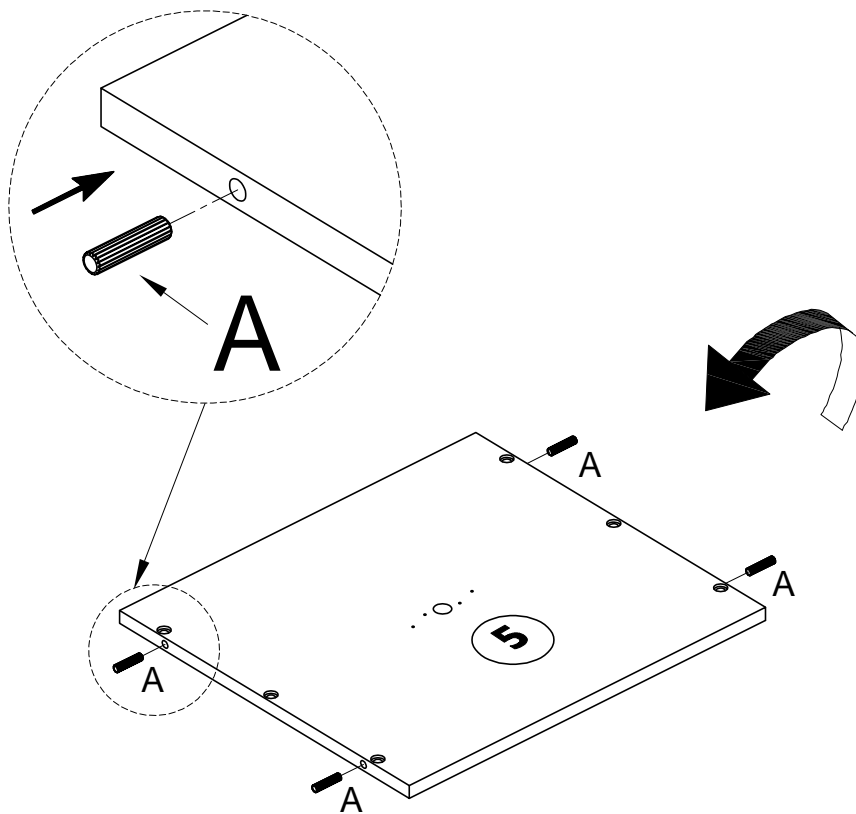
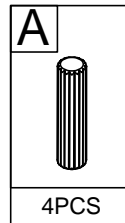
# STEP: 5



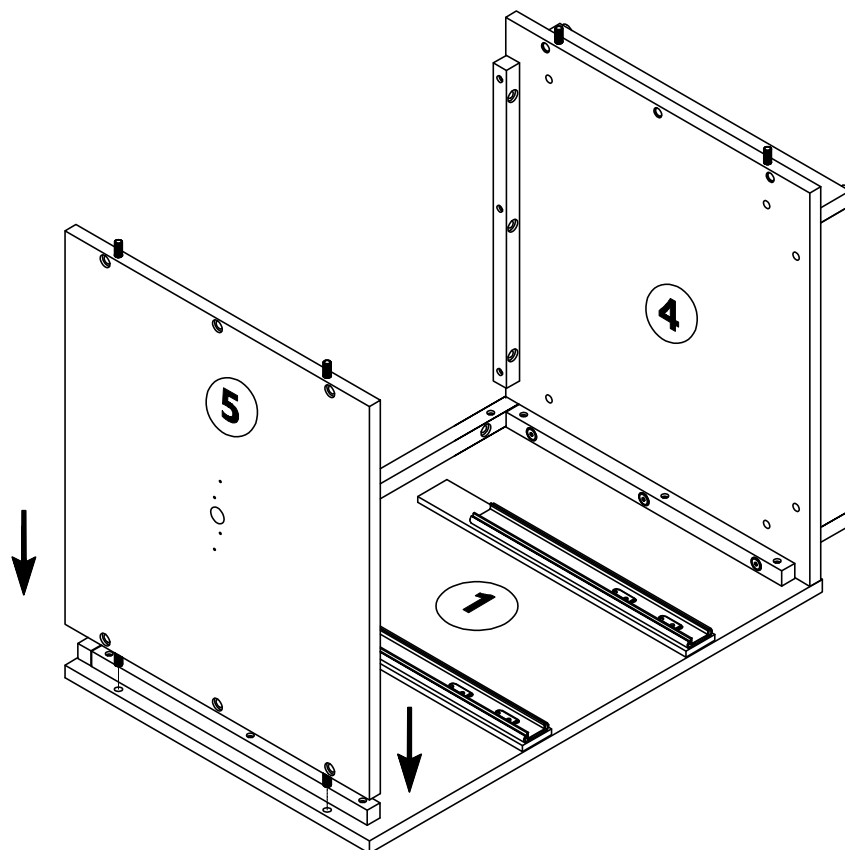
# STEP: 6



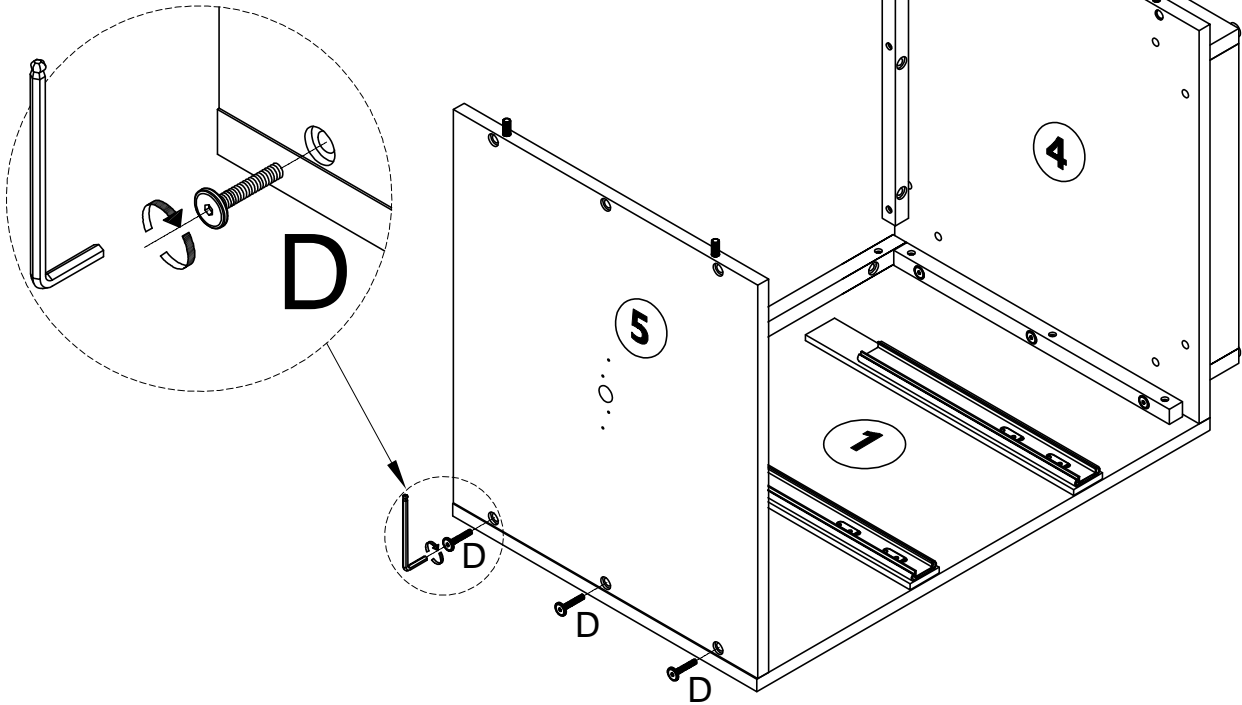
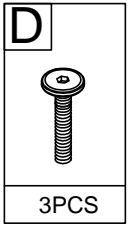
# STEP: 7



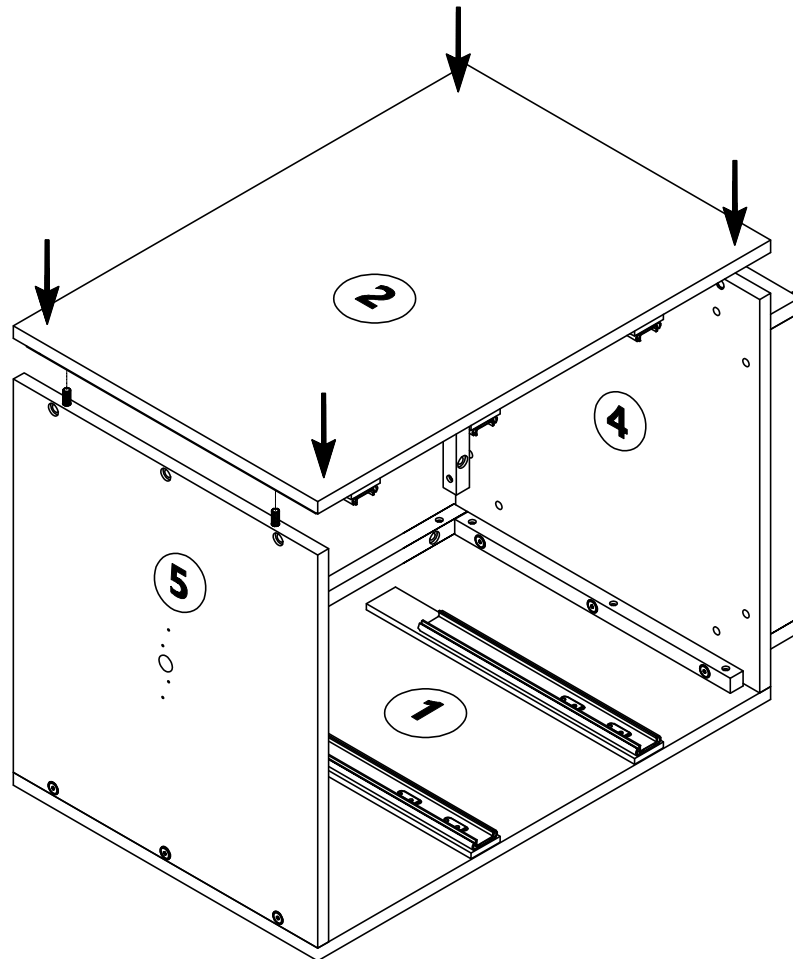
# STEP: 8



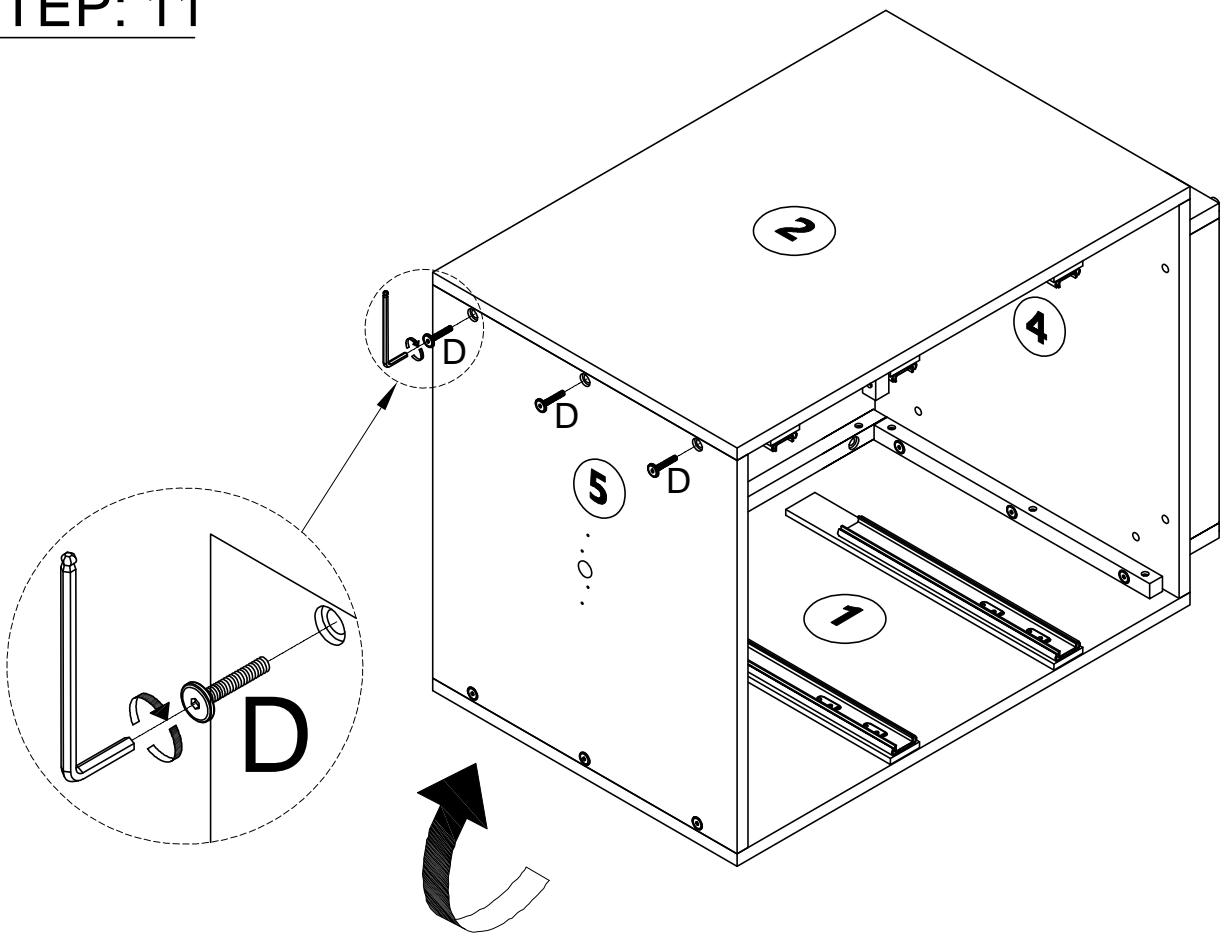
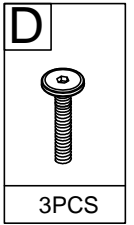
# STEP: 9



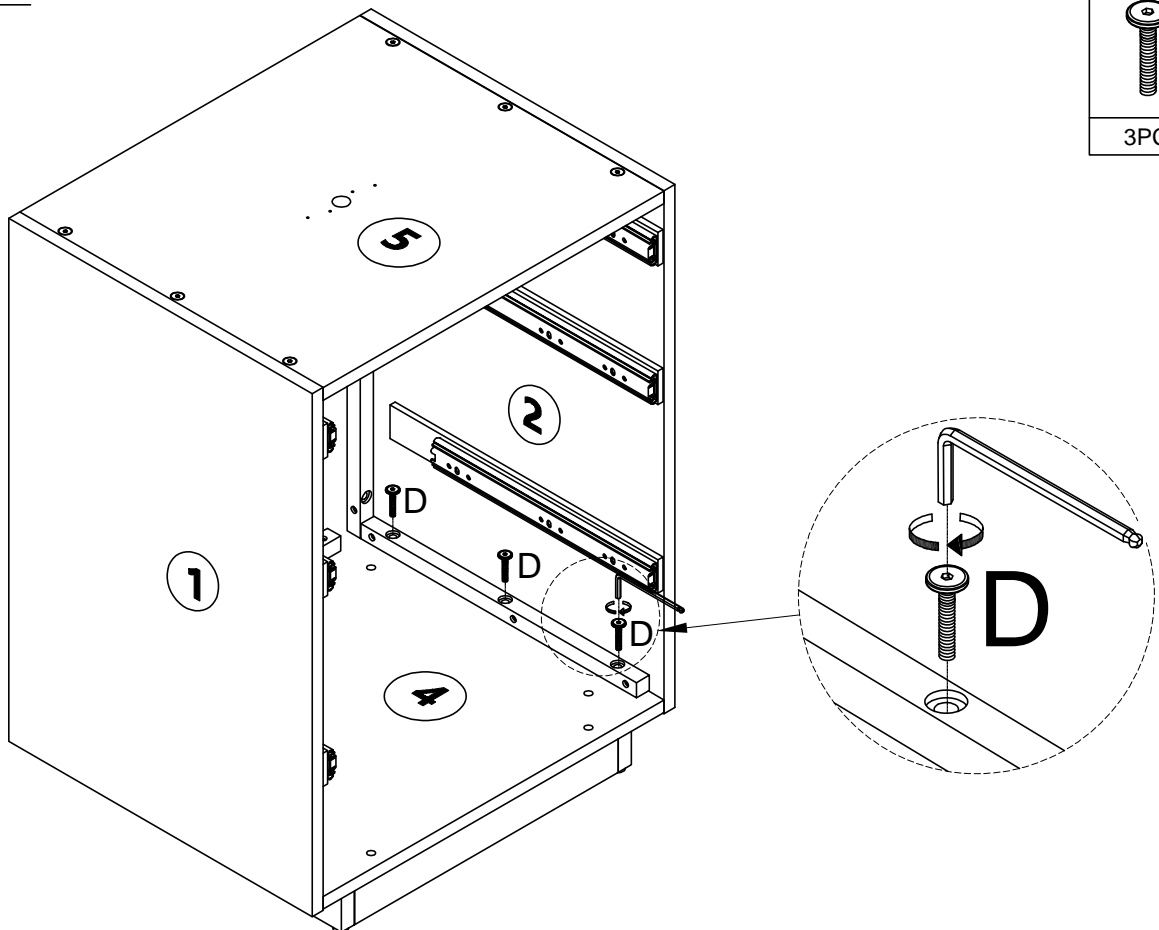
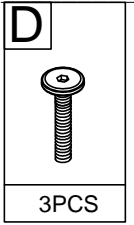
# STEP: 10



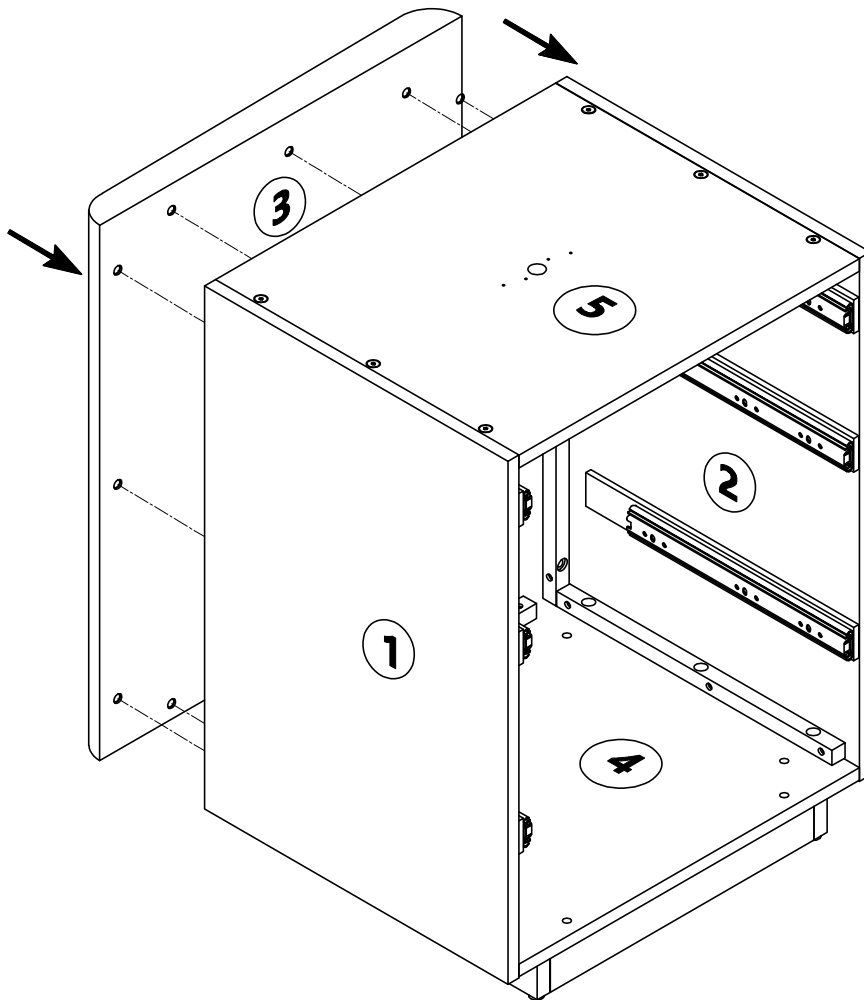
# STEP: 11



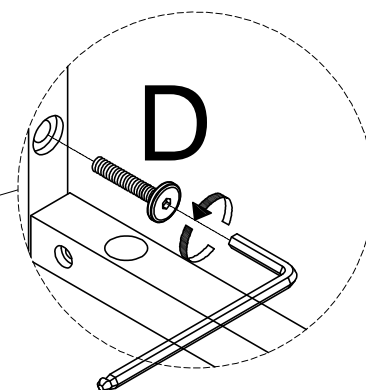
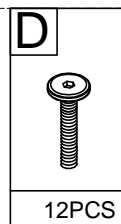
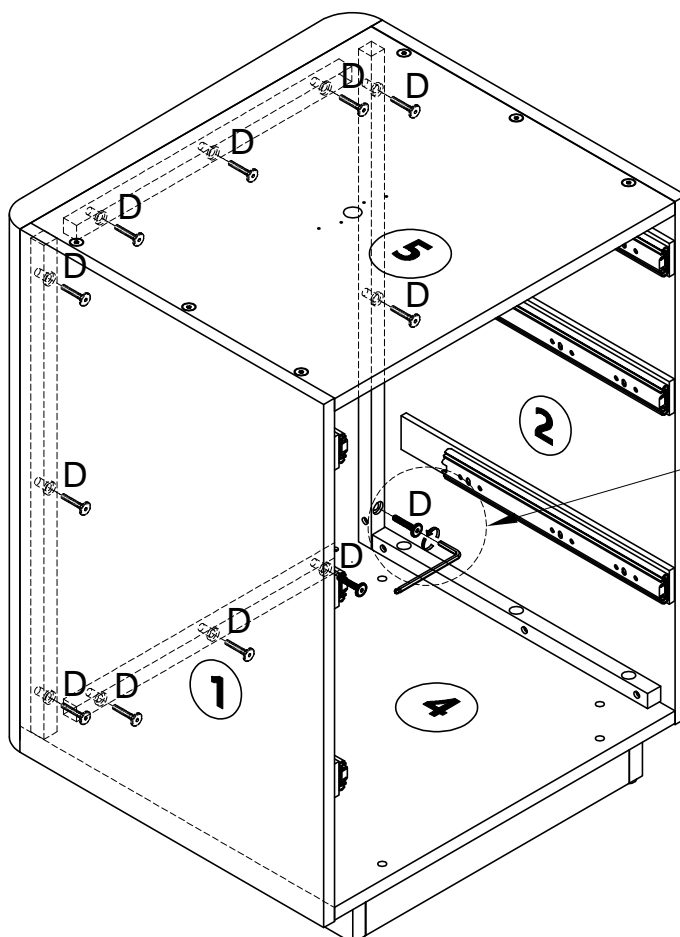
# STEP: 12



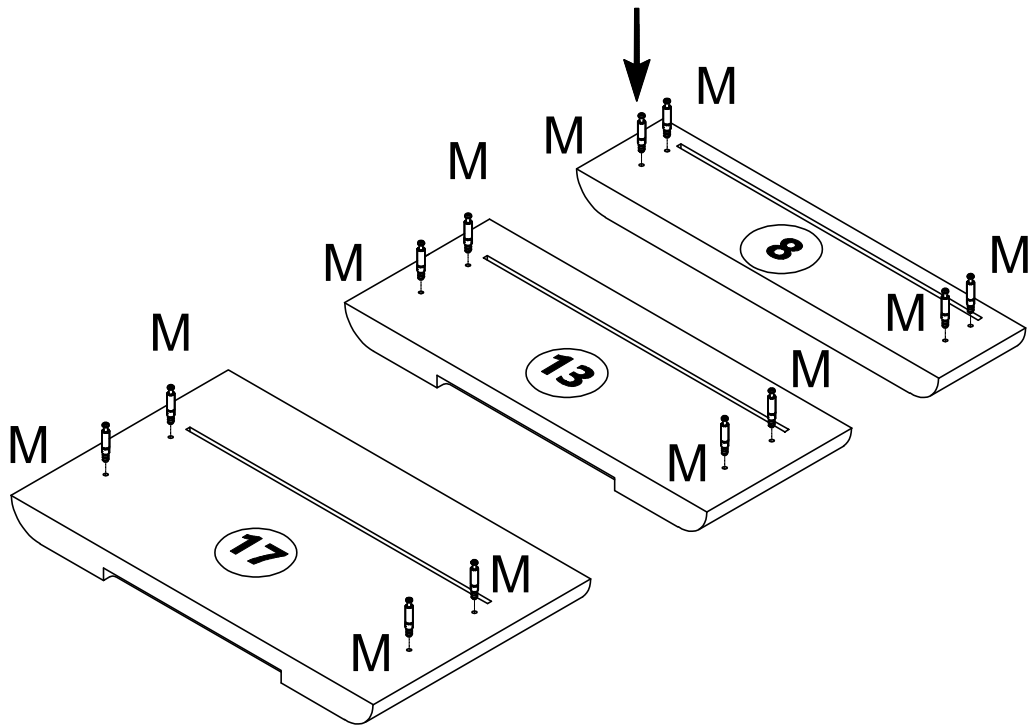
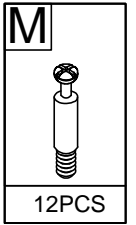
# STEP: 13



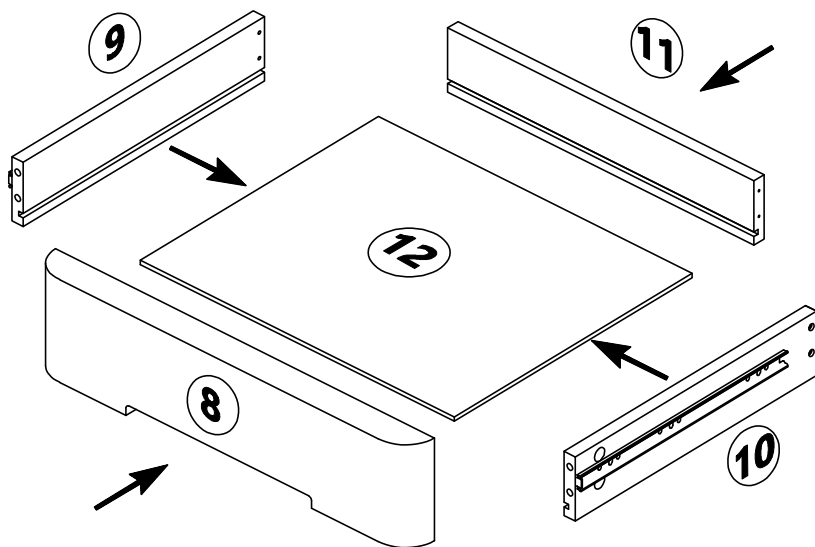
# STEP: 14




# STEP: 15

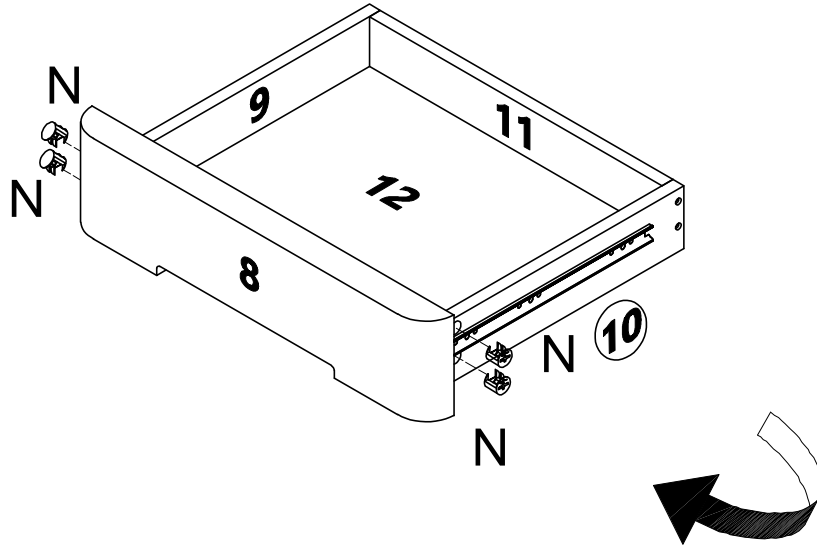


# STEP: 16





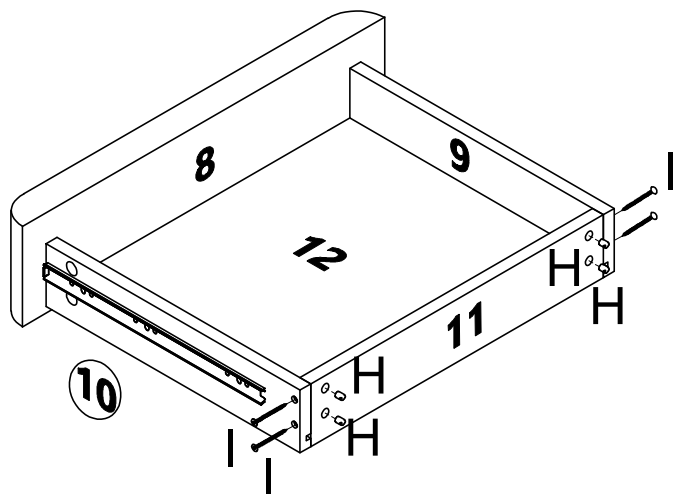
# STEP: 17

N

4PCS

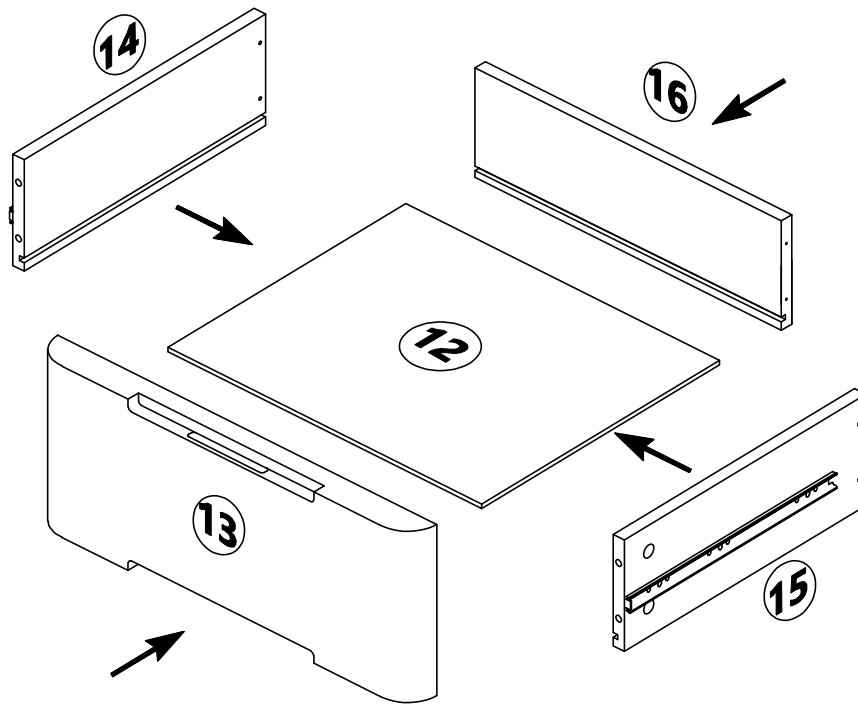


# STEP: 18

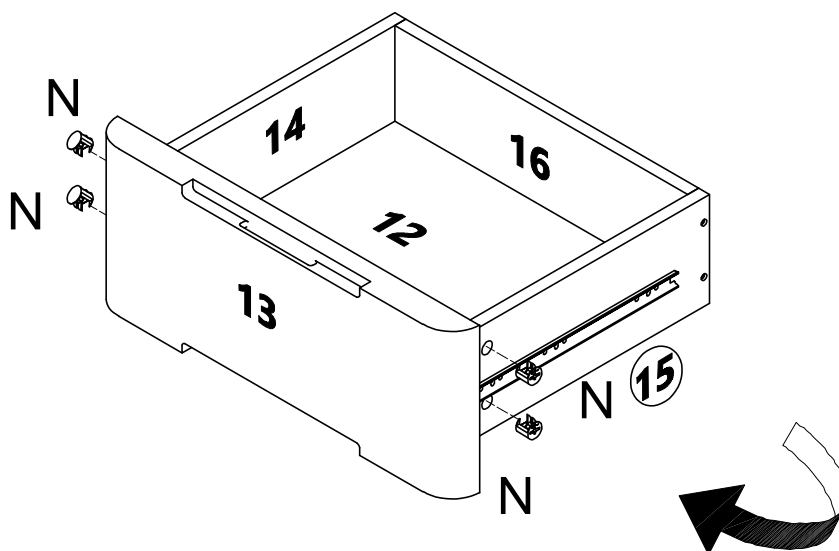
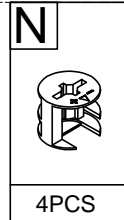
H

4PCS

4PCS



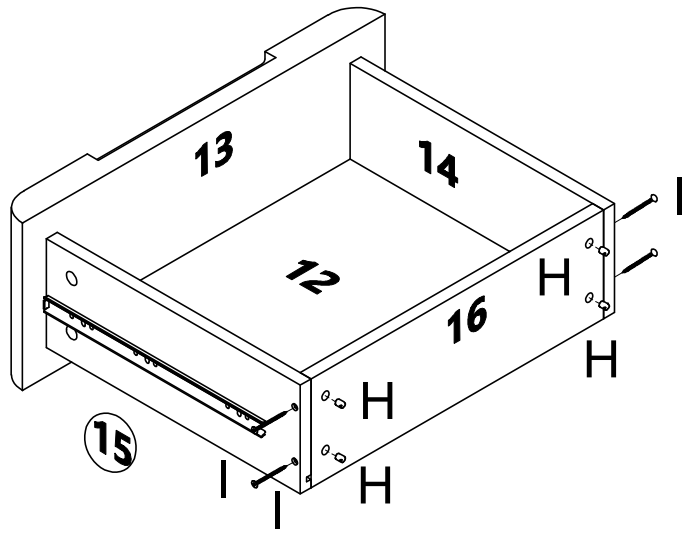
# STEP: 19





# STEP: 20

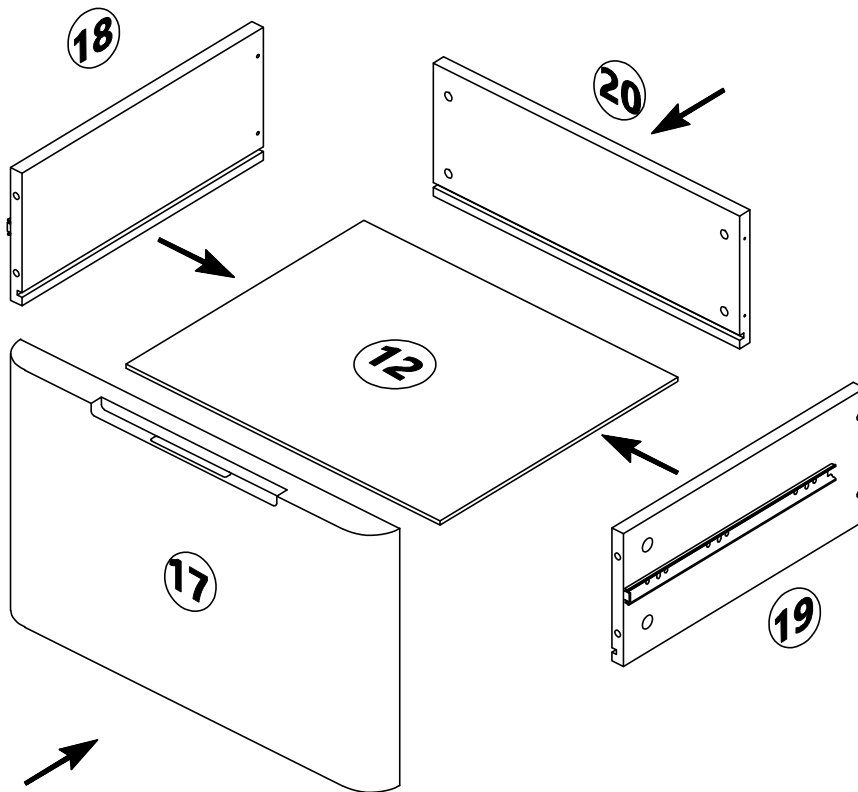


# STEP: 21




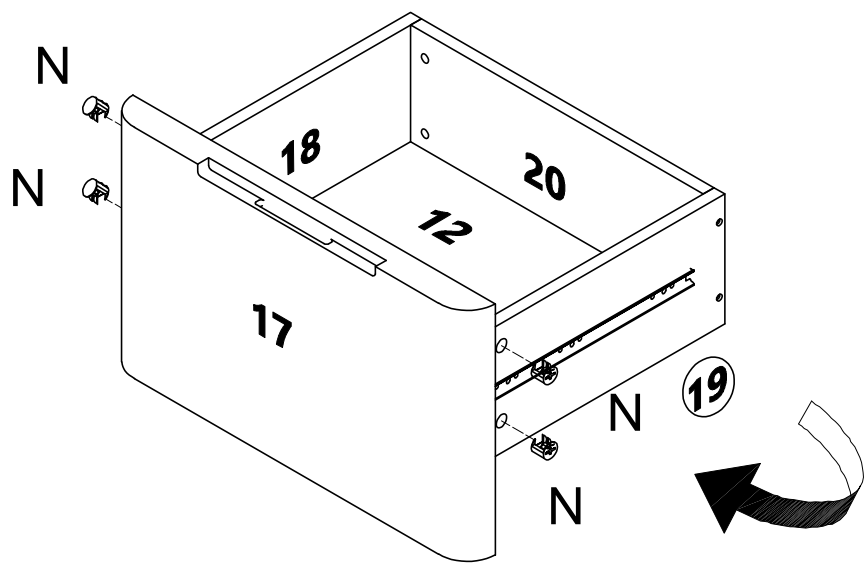
H	
4PCS	
I	
4PCS	

# STEP: 22

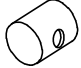
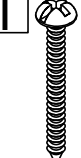


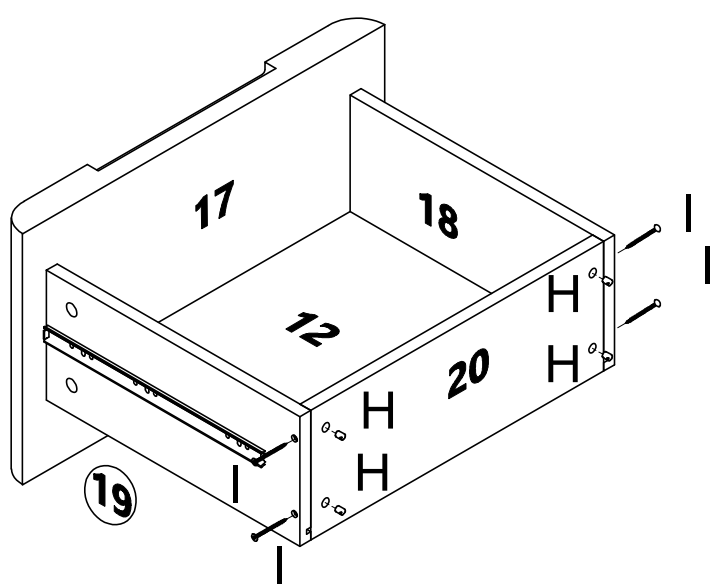
# STEP: 23

N

4PCS



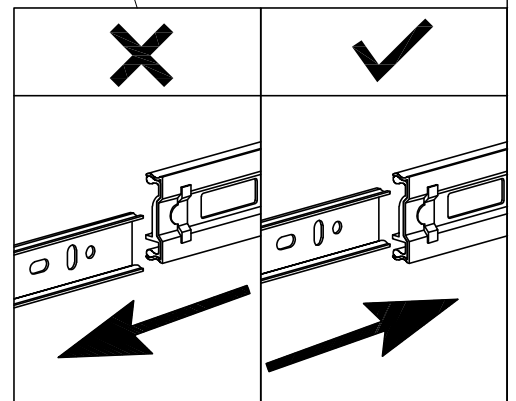
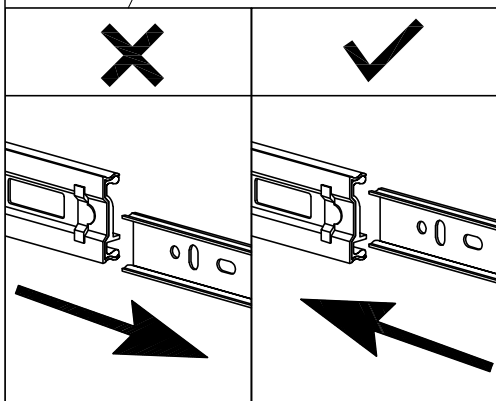
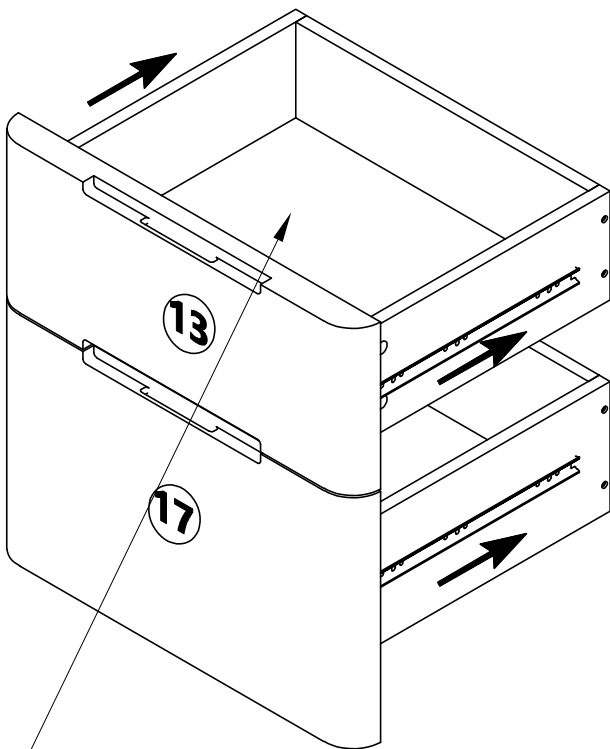
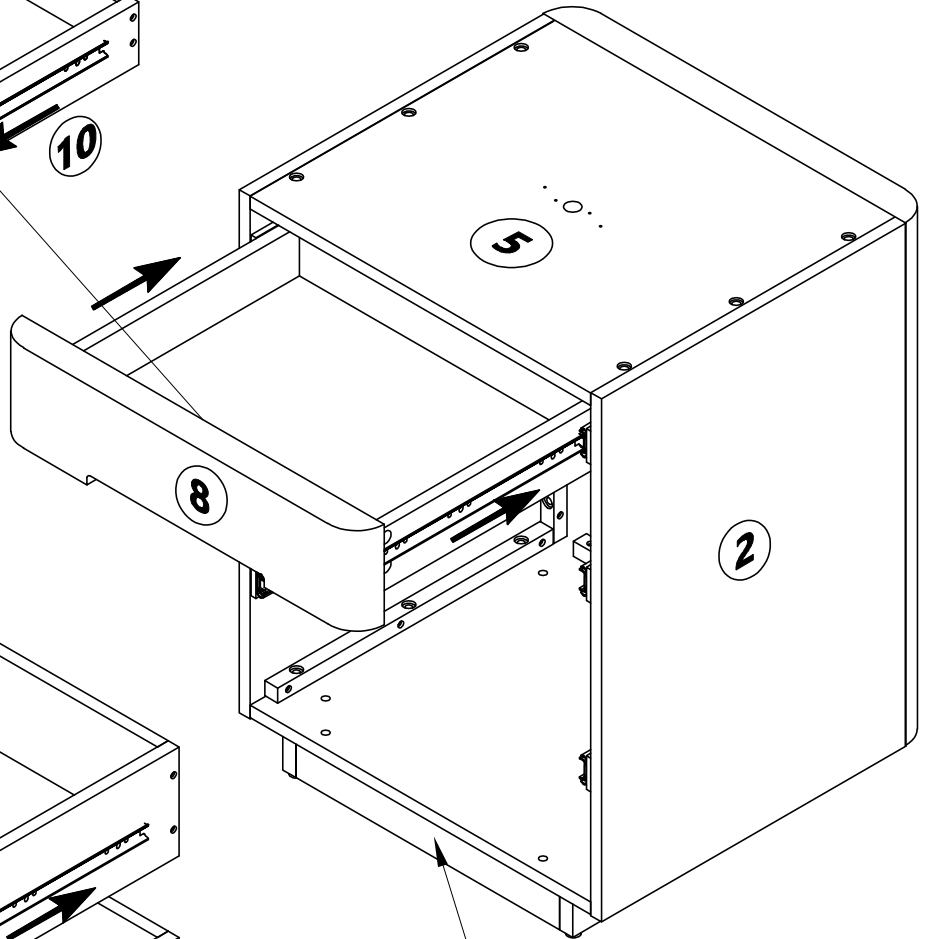
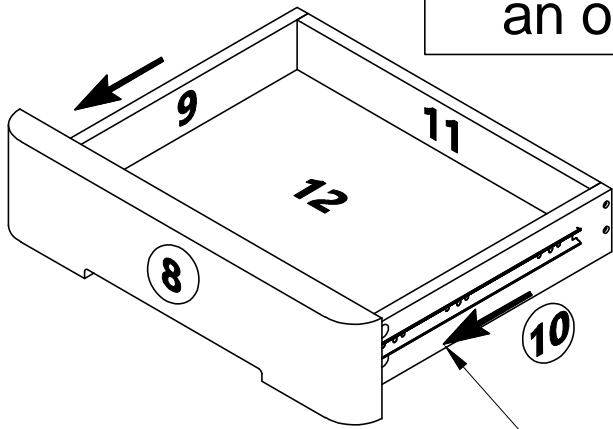
# STEP: 24

H

4PCS
I

4PCS



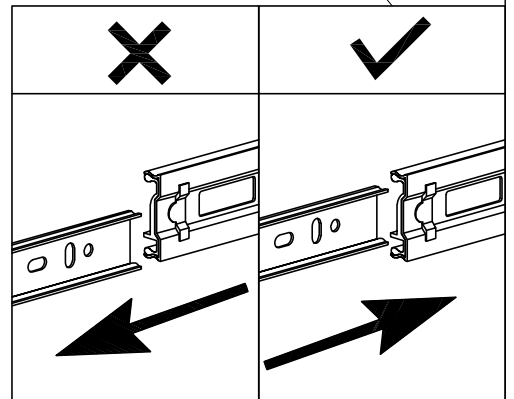
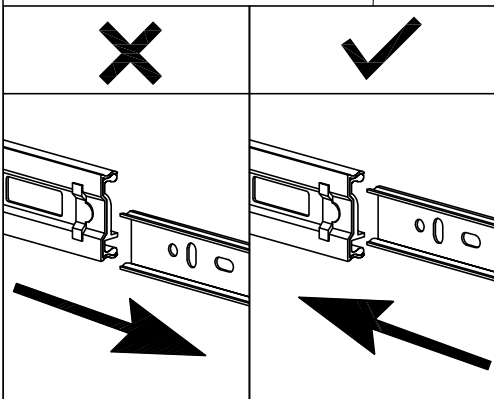
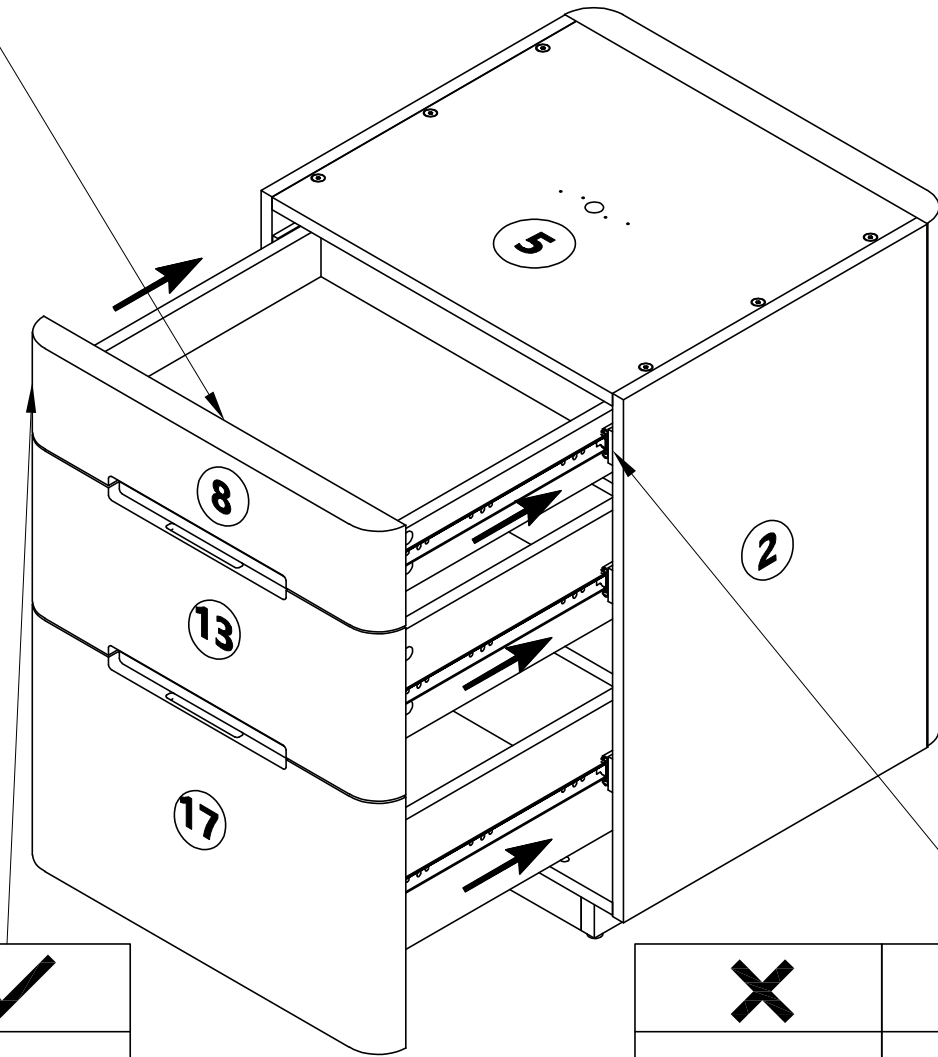
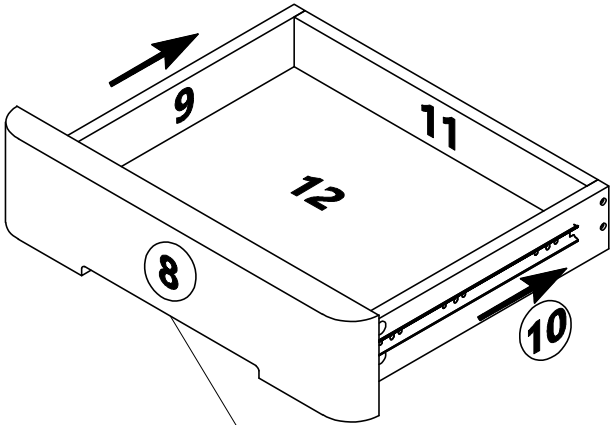
# STEP: 25

When assembling the drawer into the cabinet. When encountering an obstacle, put out the drawer.

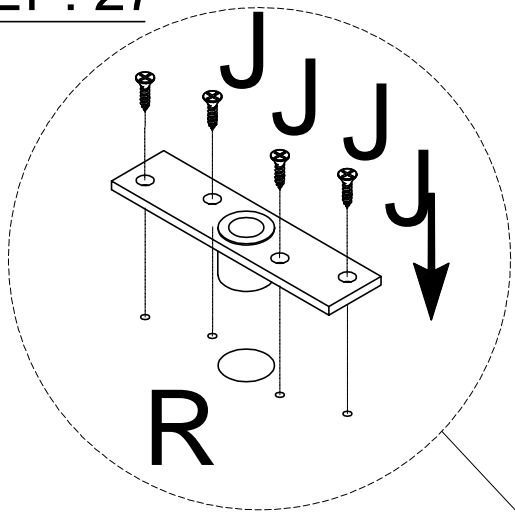


**STEP: 26**

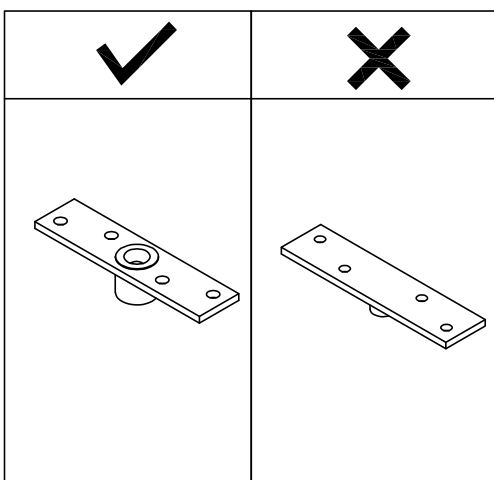
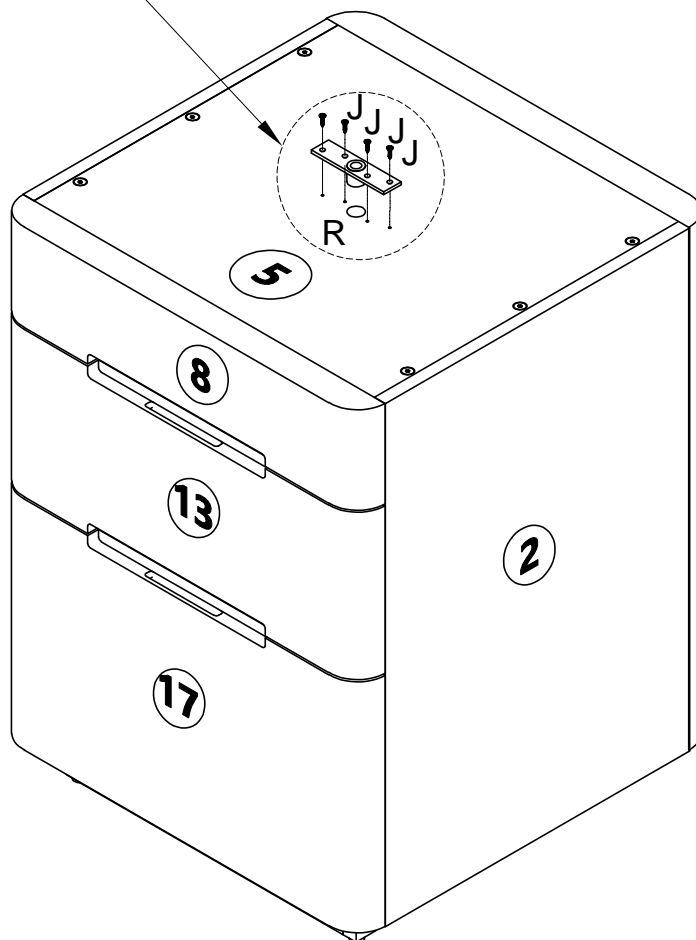
Align both sides of the slide rail properly,  
Then push the drawer into the cabinet



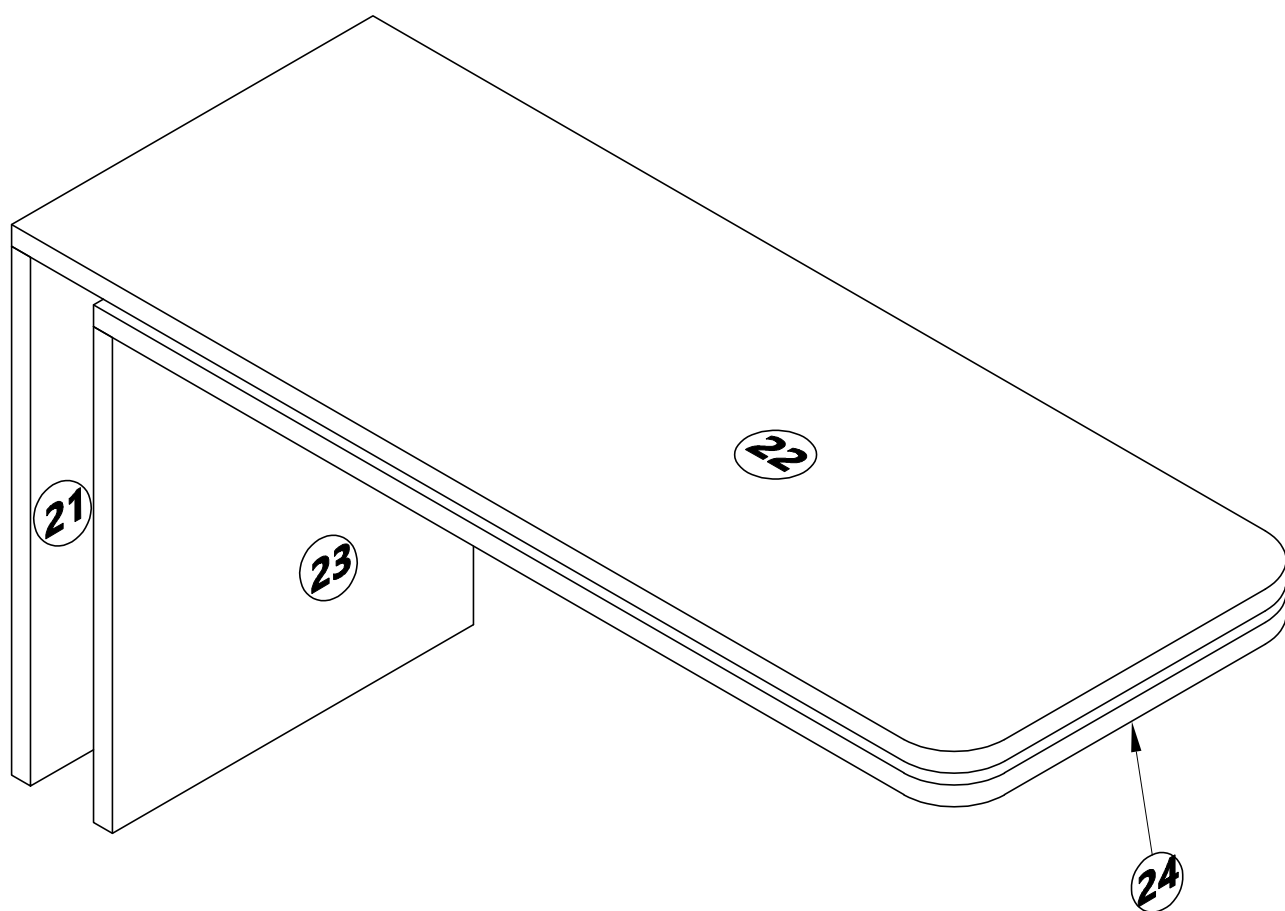
# STEP: 27



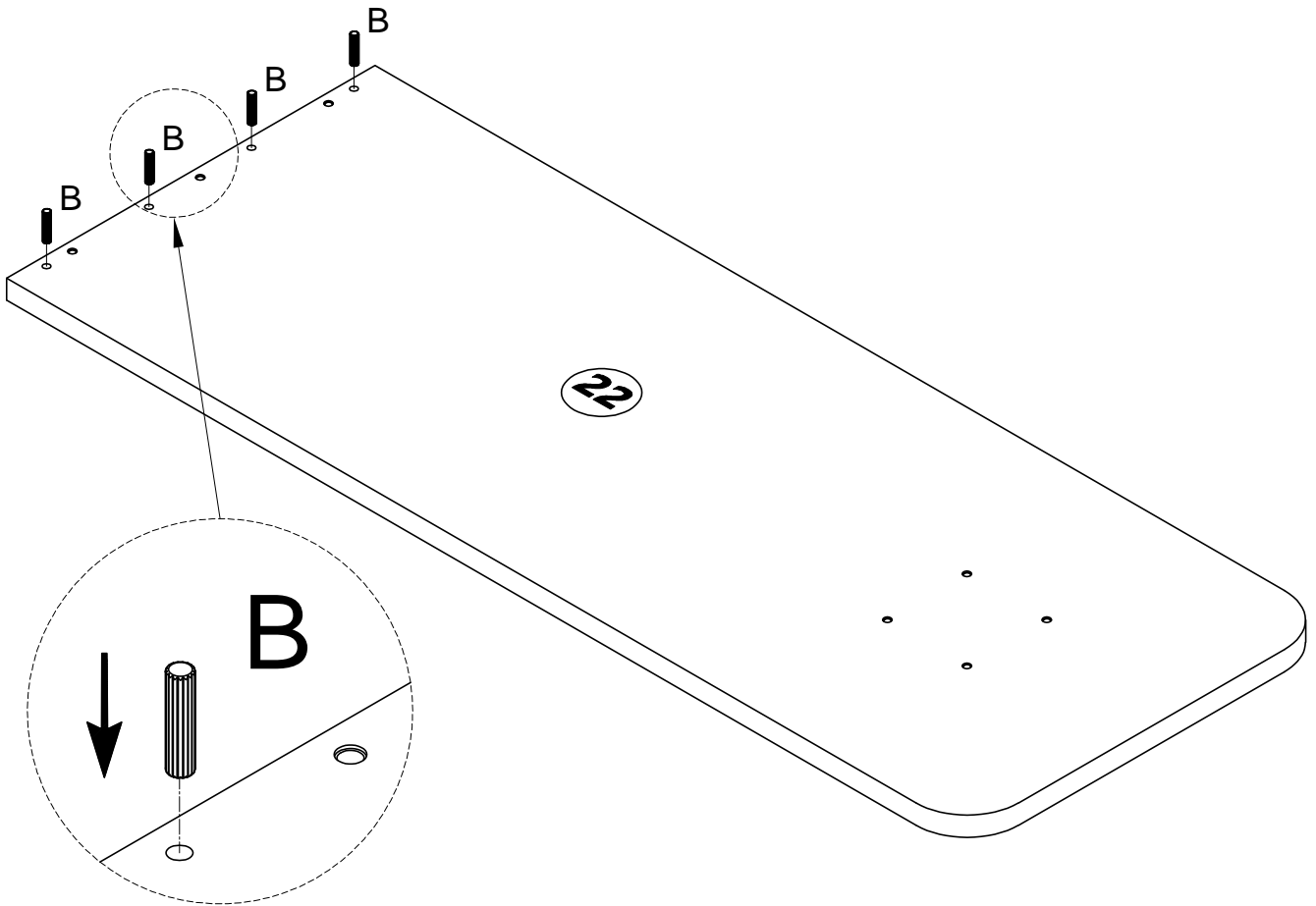
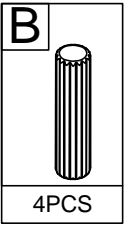
R
1PC
J
4PCS



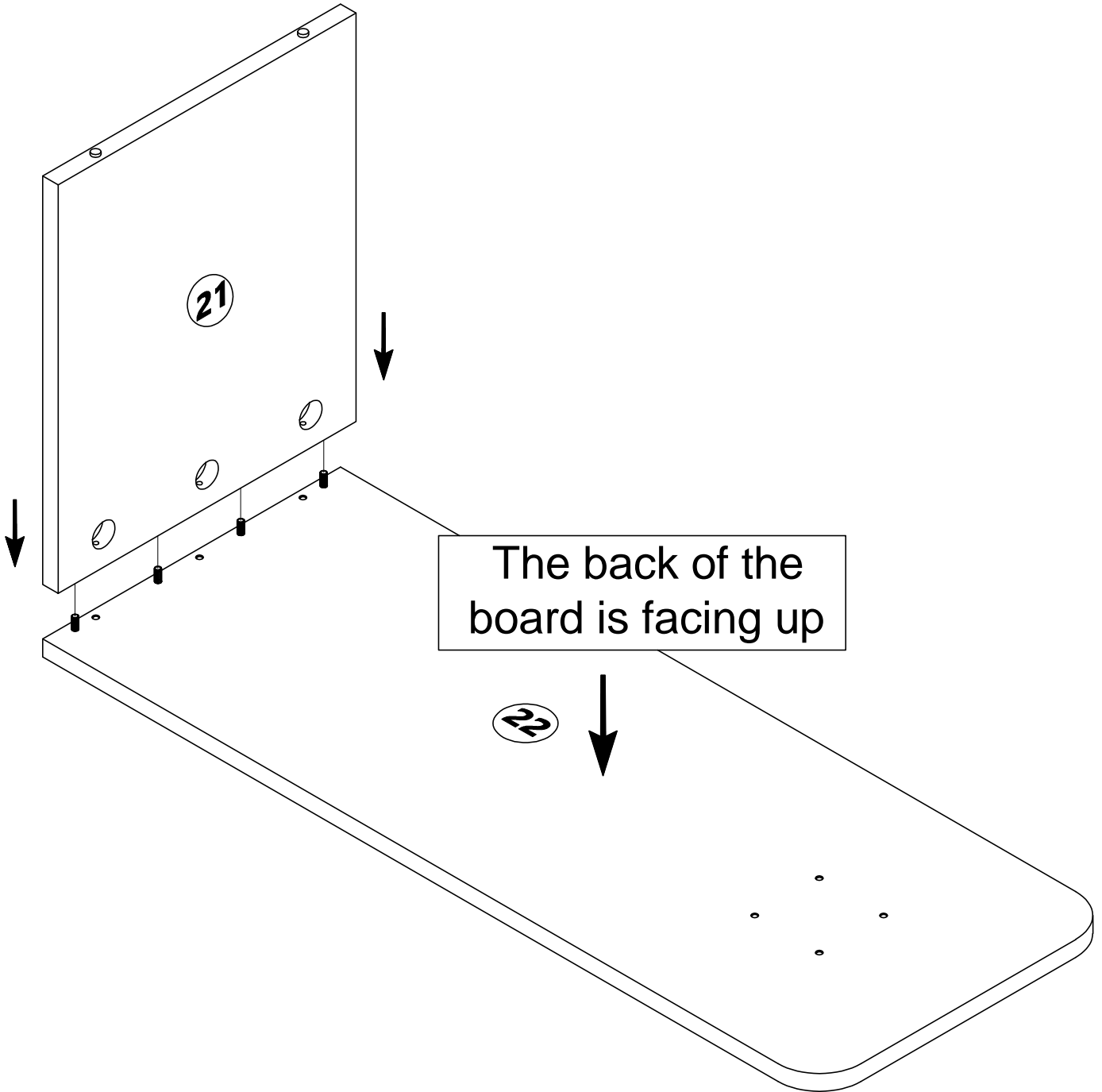
# TABLE ASSEMBLY



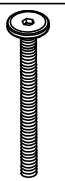

# STEP: 28

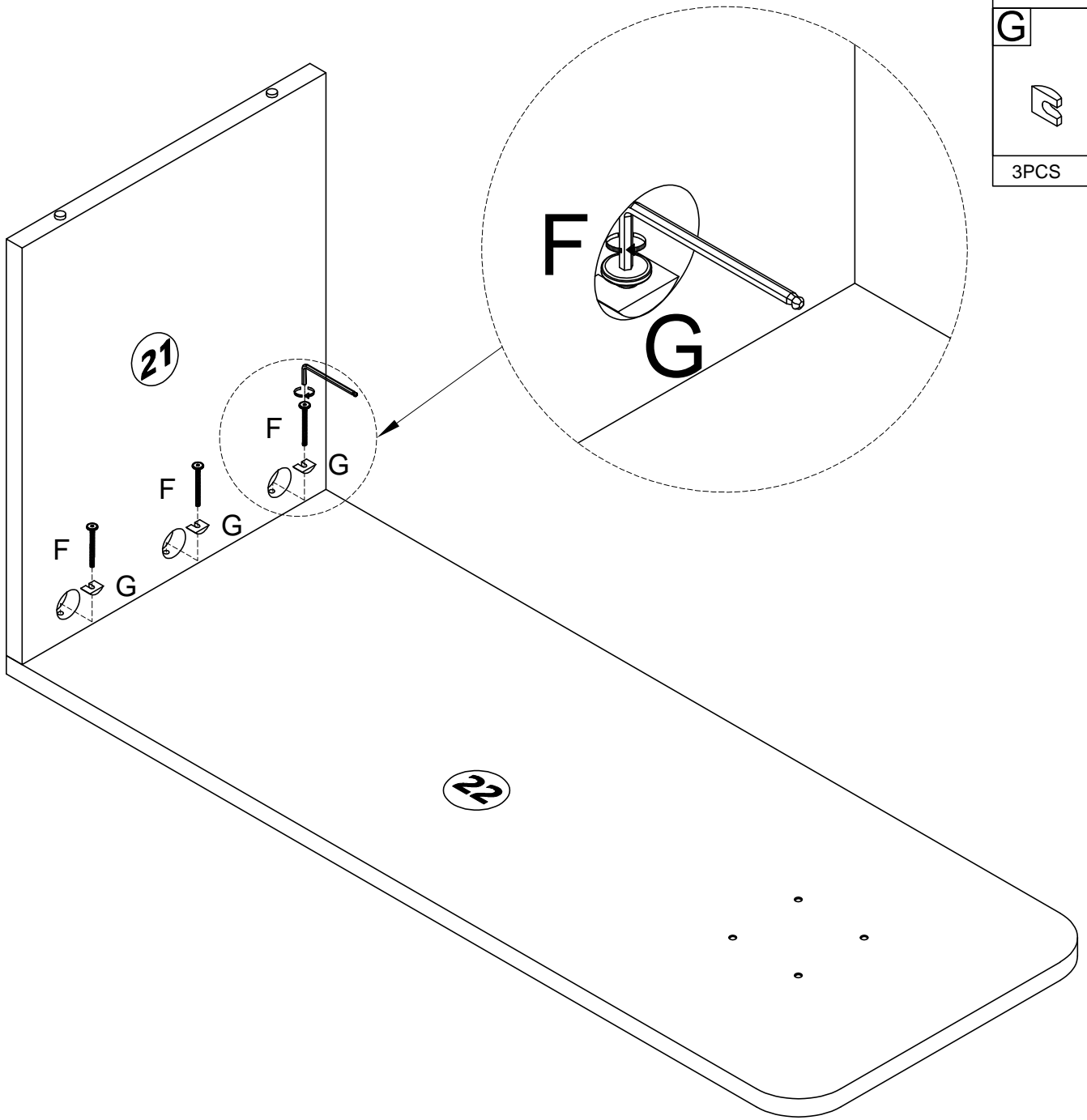


STEP: 29




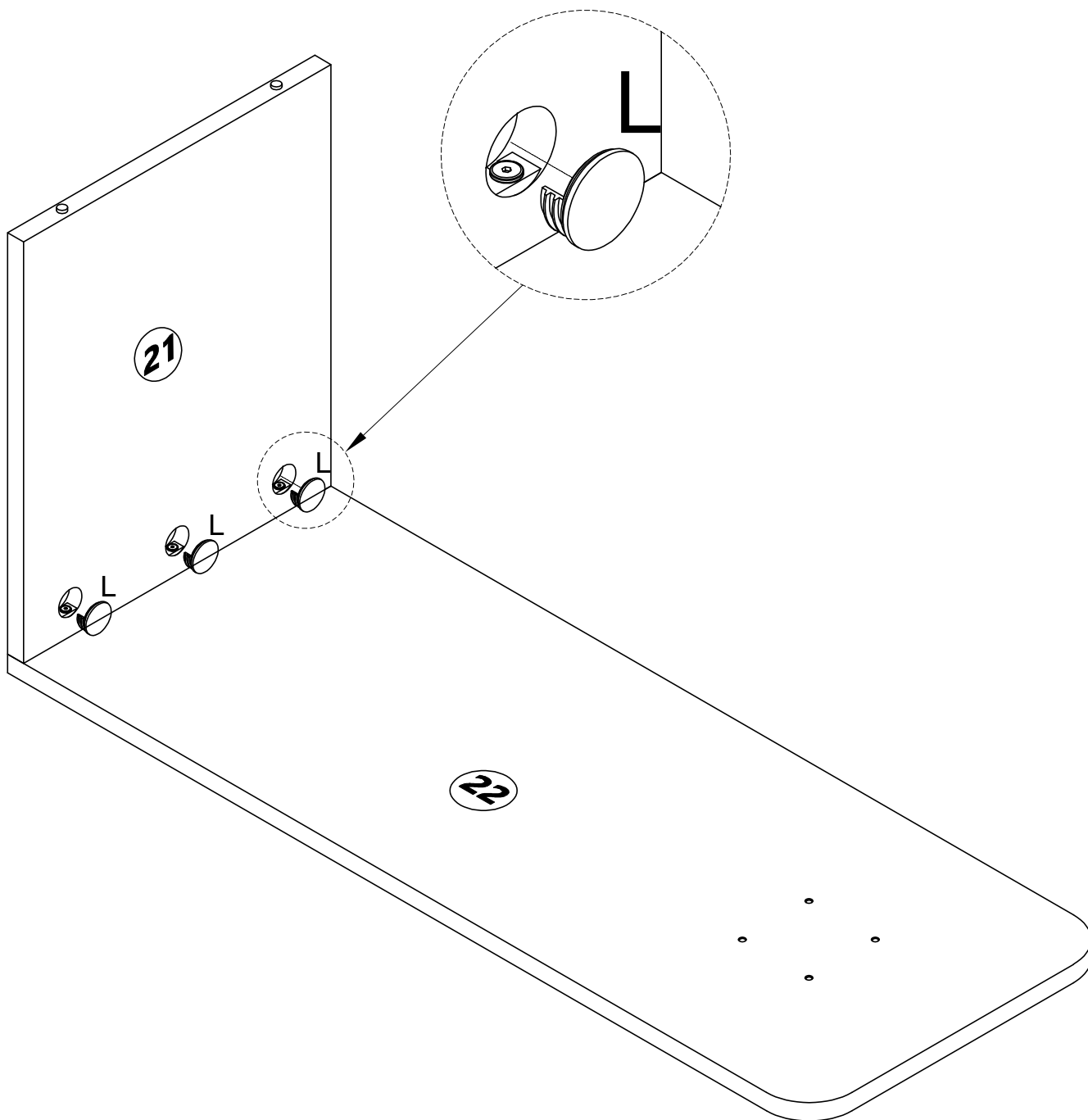
# STEP: 30

<b>F</b>	
	3PCS
<b>G</b>	
	3PCS

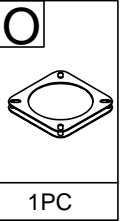


# STEP: 31

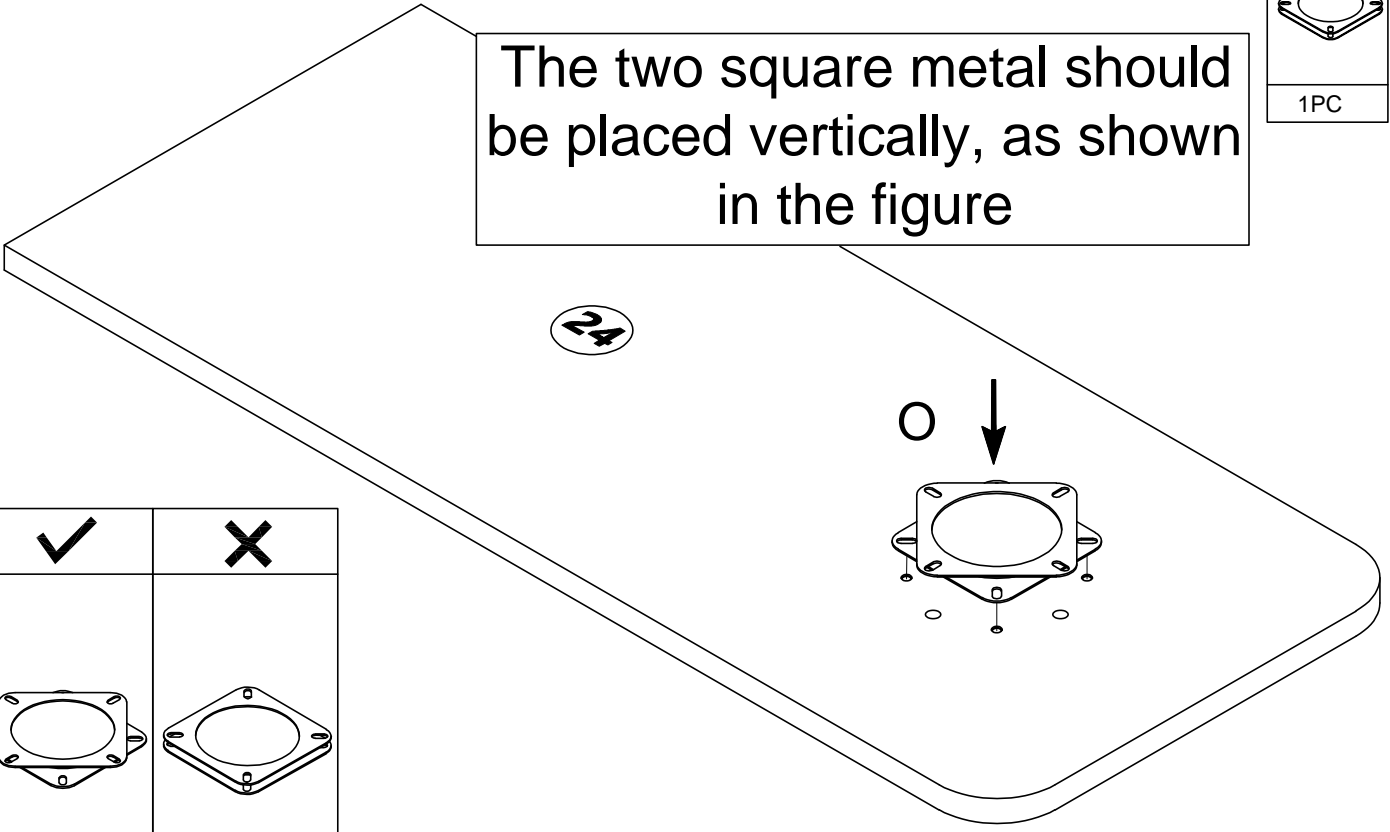
L

3PCS



# STEP: 32

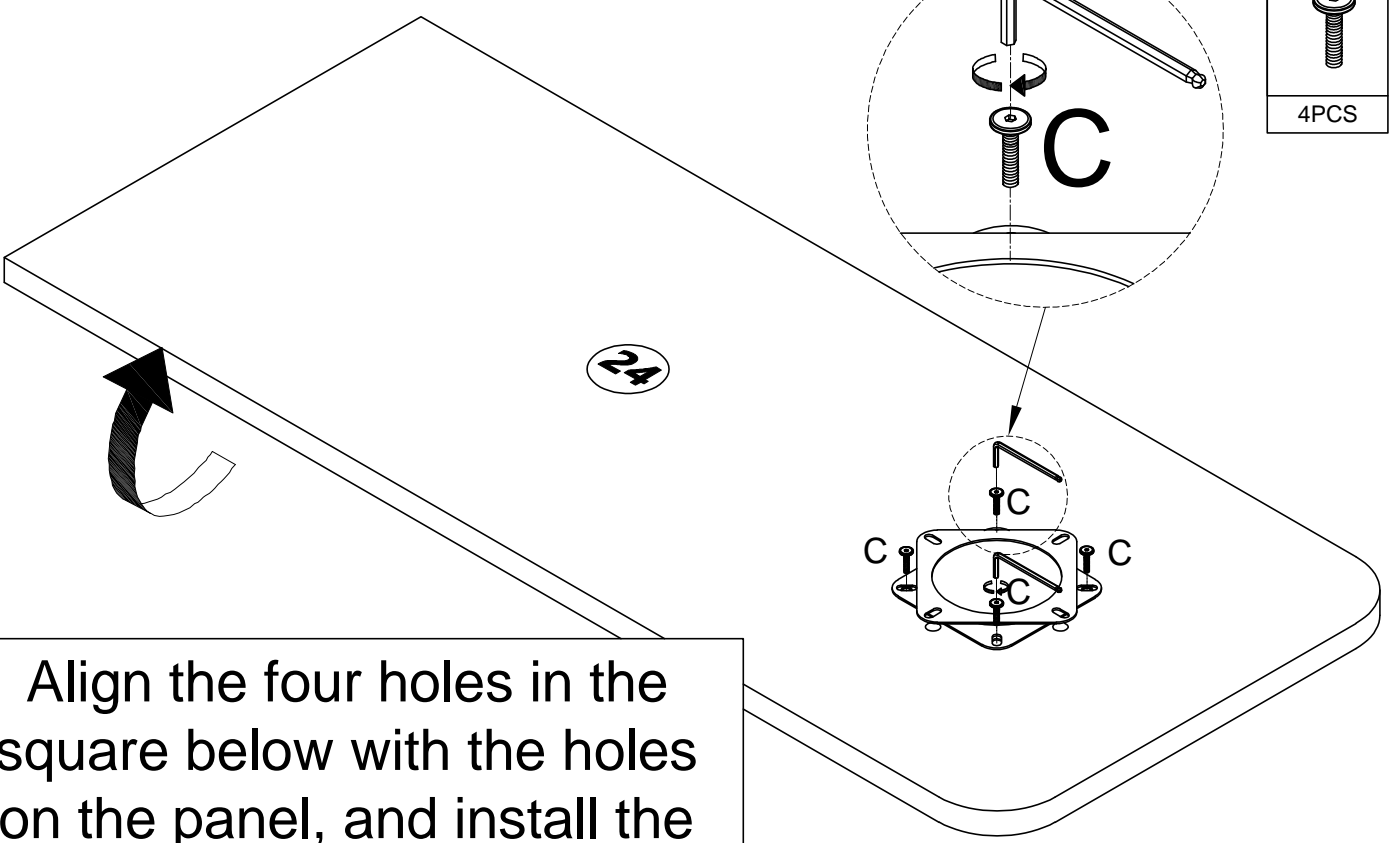
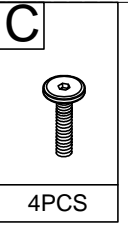


The two square metal should be placed vertically, as shown in the figure



✓	✗

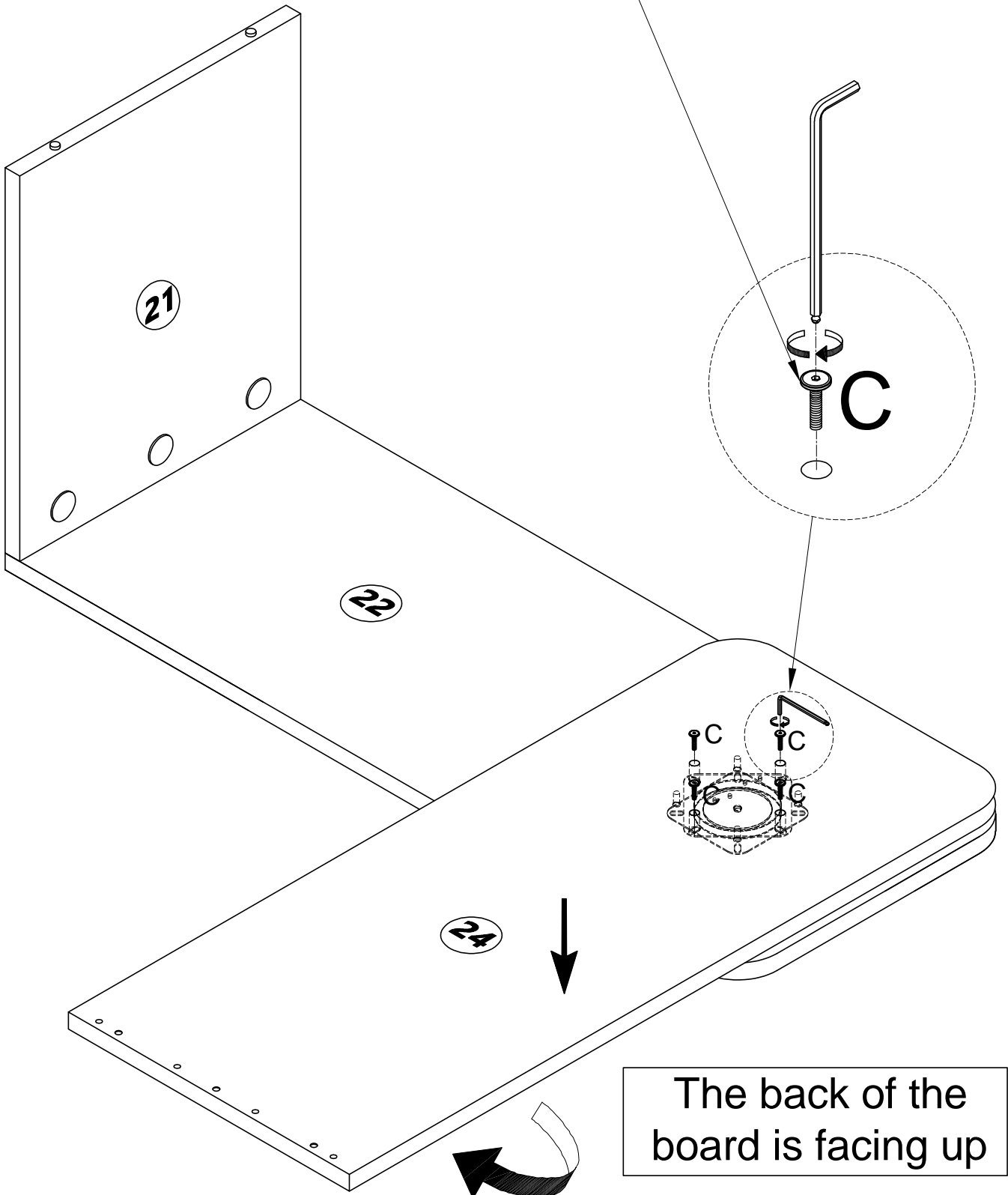
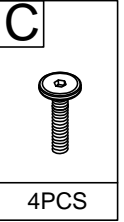
# STEP: 33



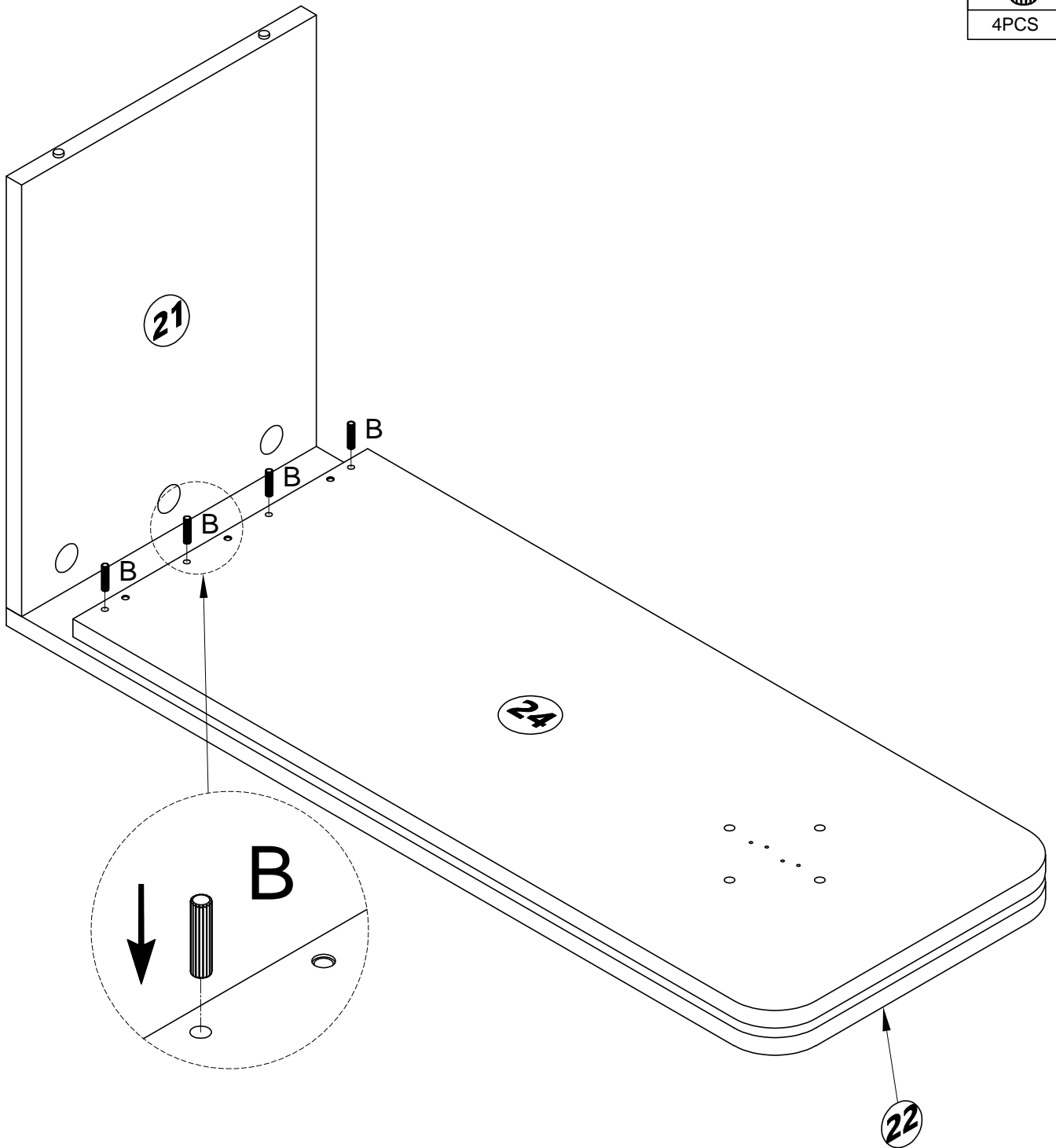
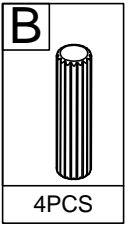
Align the four holes in the square below with the holes on the panel, and install the screws as shown in the picture

# STEP: 34

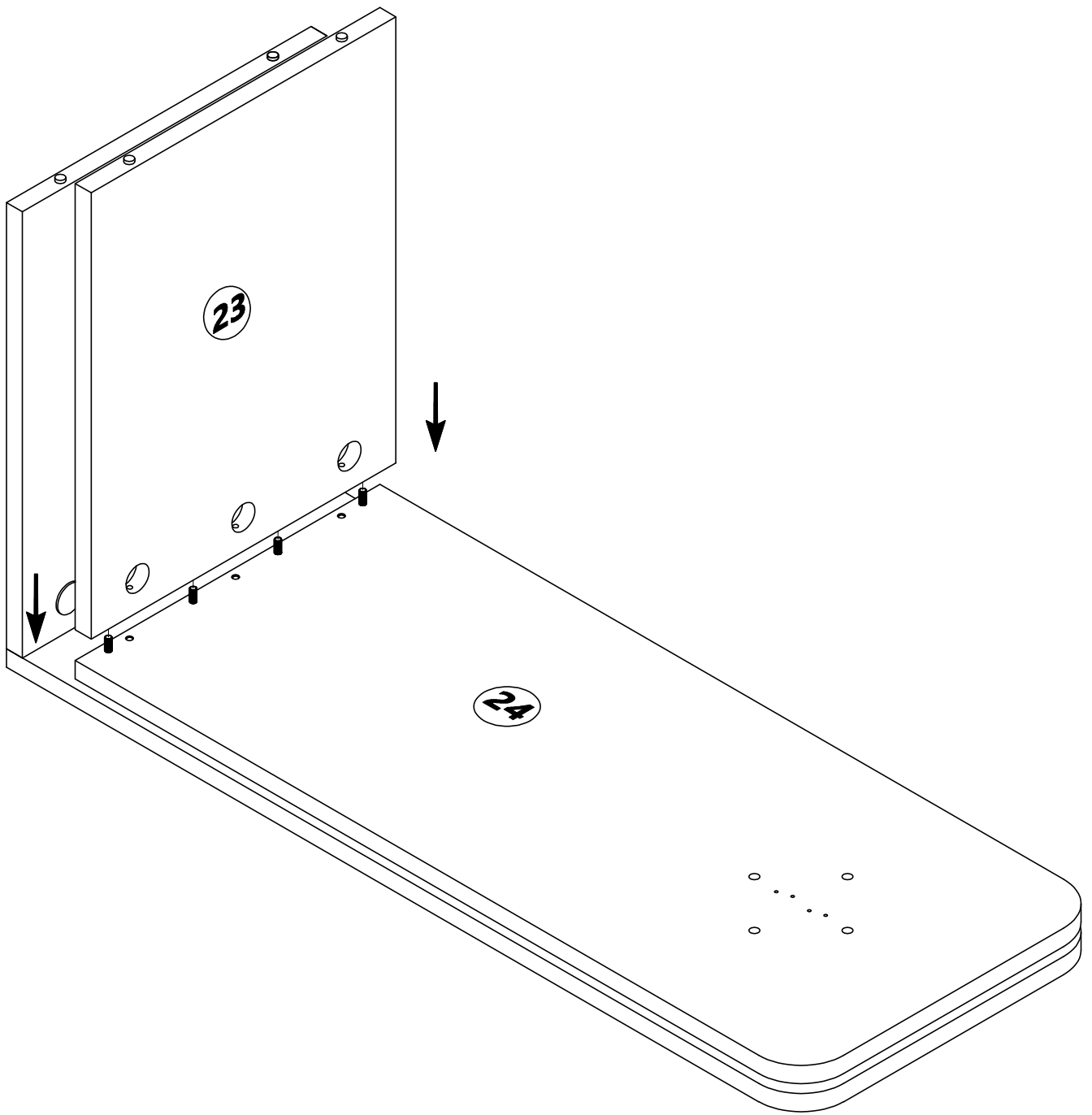
Screw C is used to connect accessory O and board 22. This step can be performed by passing it through the pre-drilled hole in board 24.



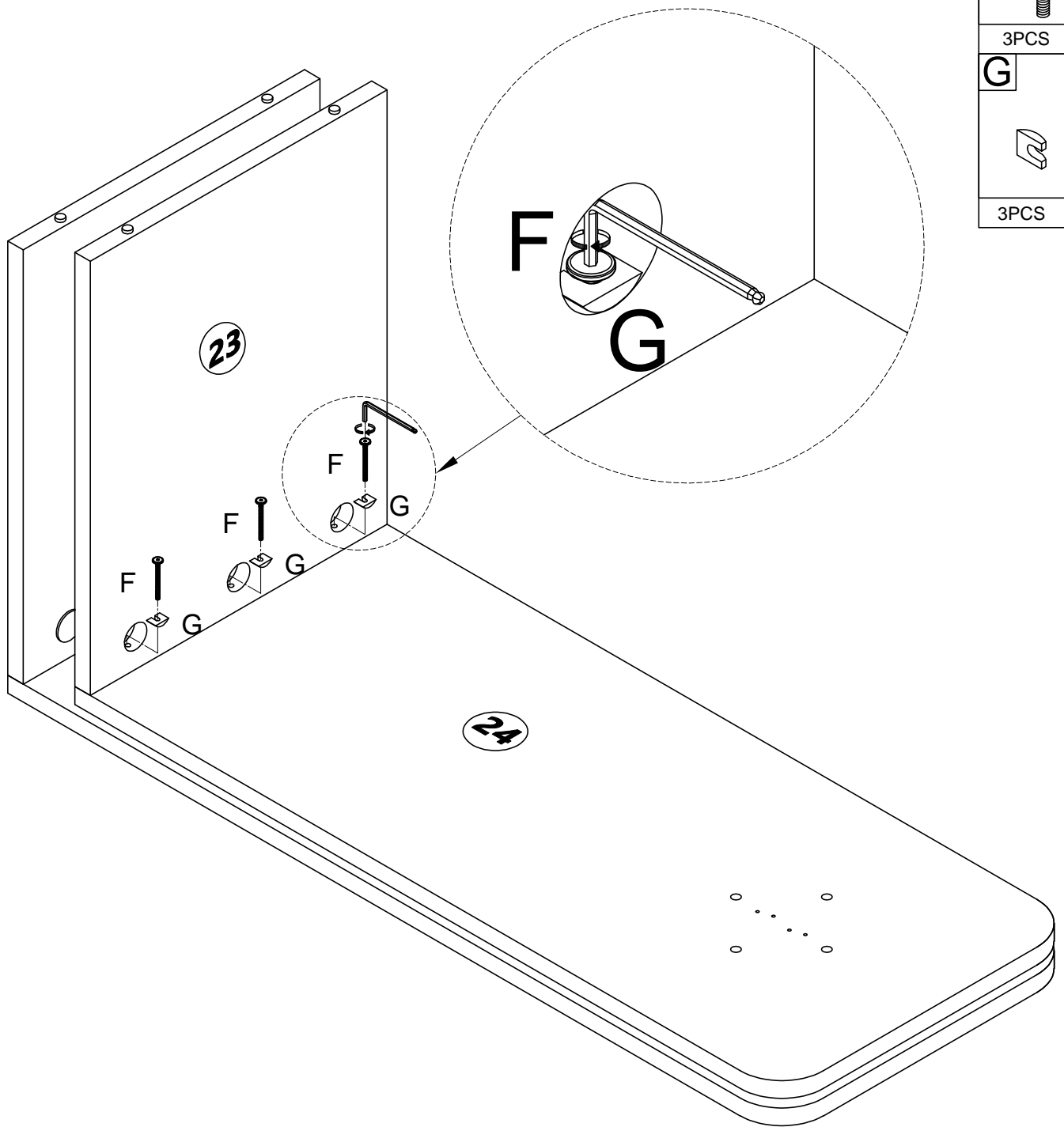
# STEP: 35

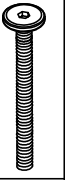



# STEP: 36

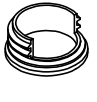


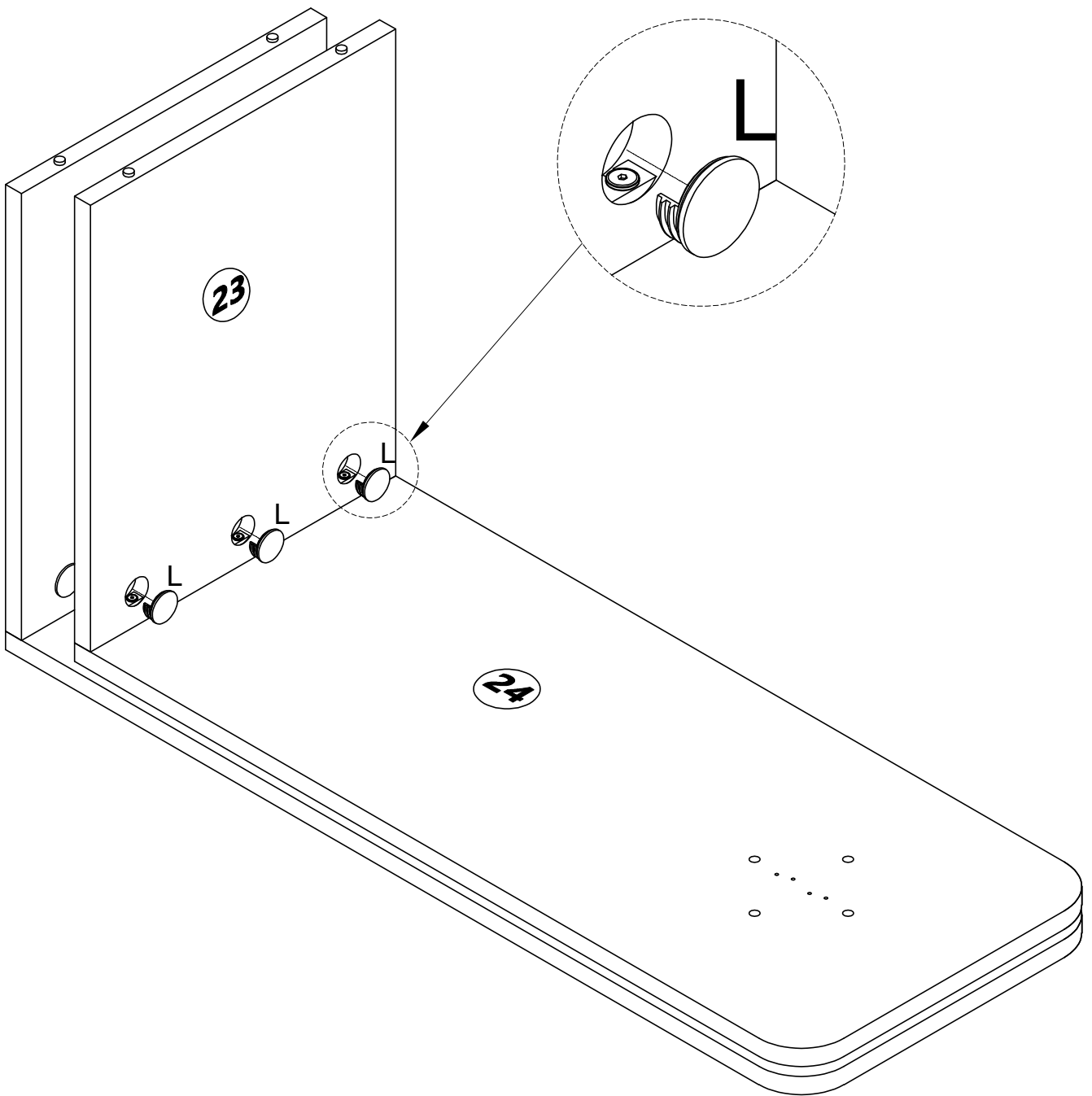
# STEP: 37



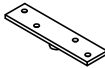

F	
3PCS	
G	
3PCS	

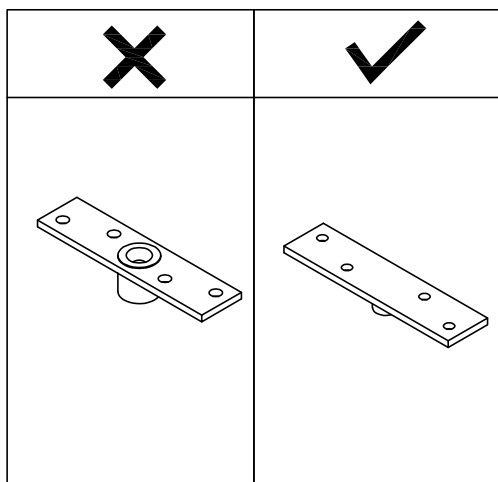
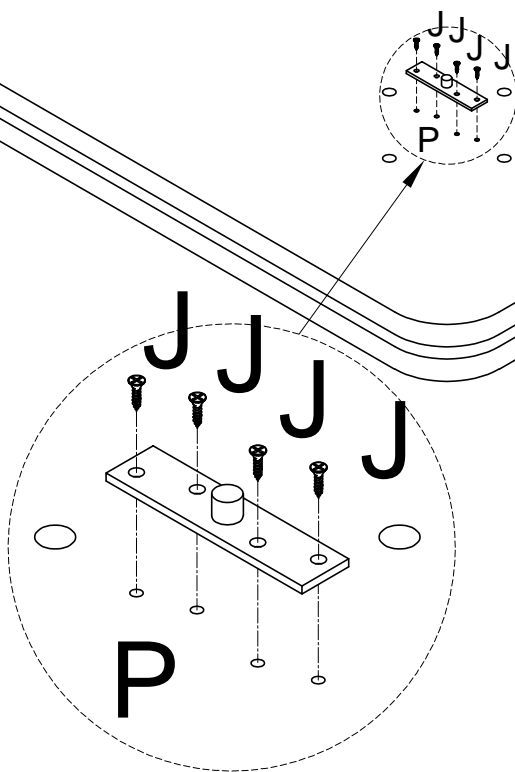
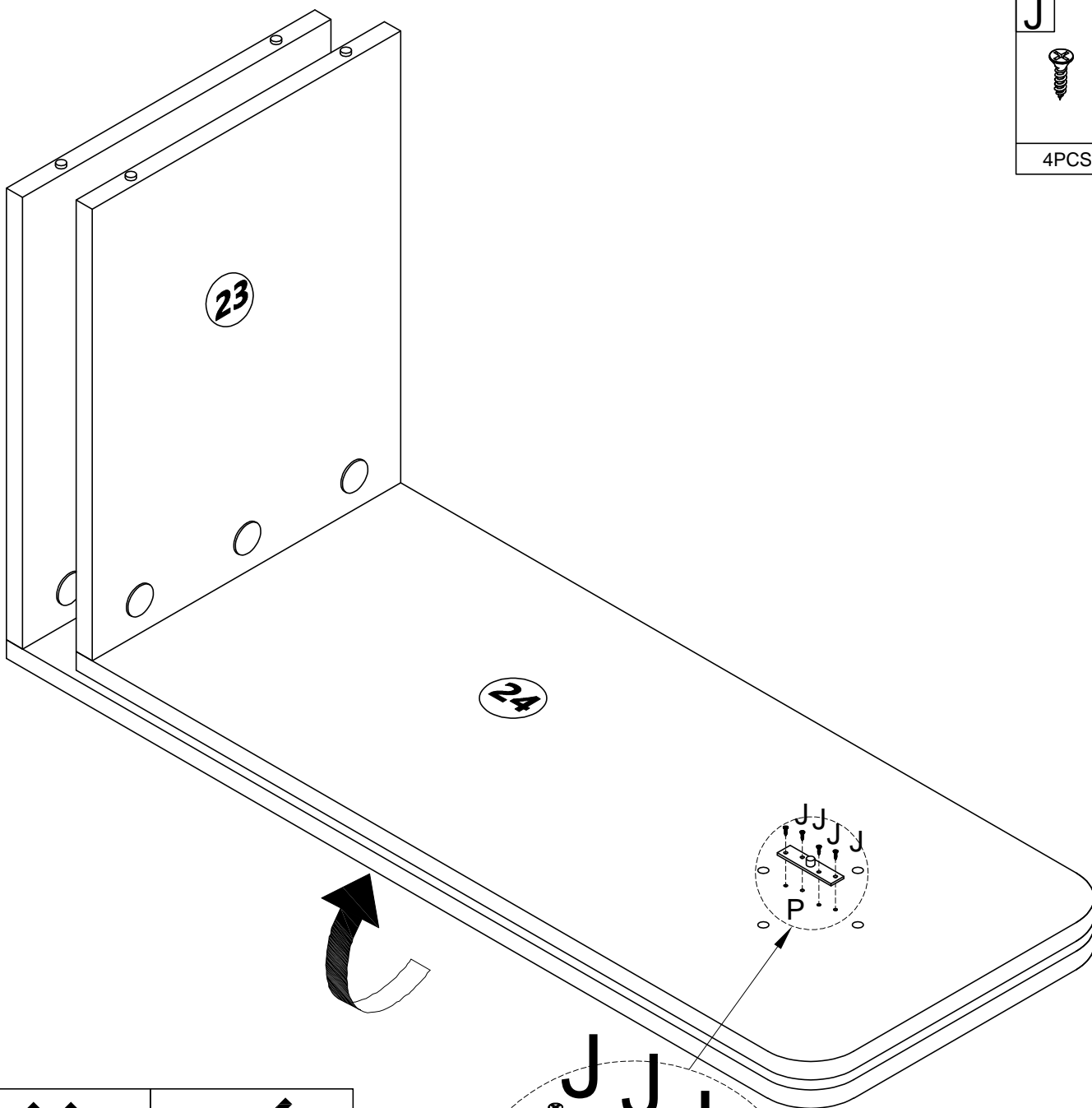
# STEP: 38

L

3PCS



# STEP: 39

<b>P</b>

1PC
<b>J</b>

4PCS



# STEP: 40

Q
○
1PC

