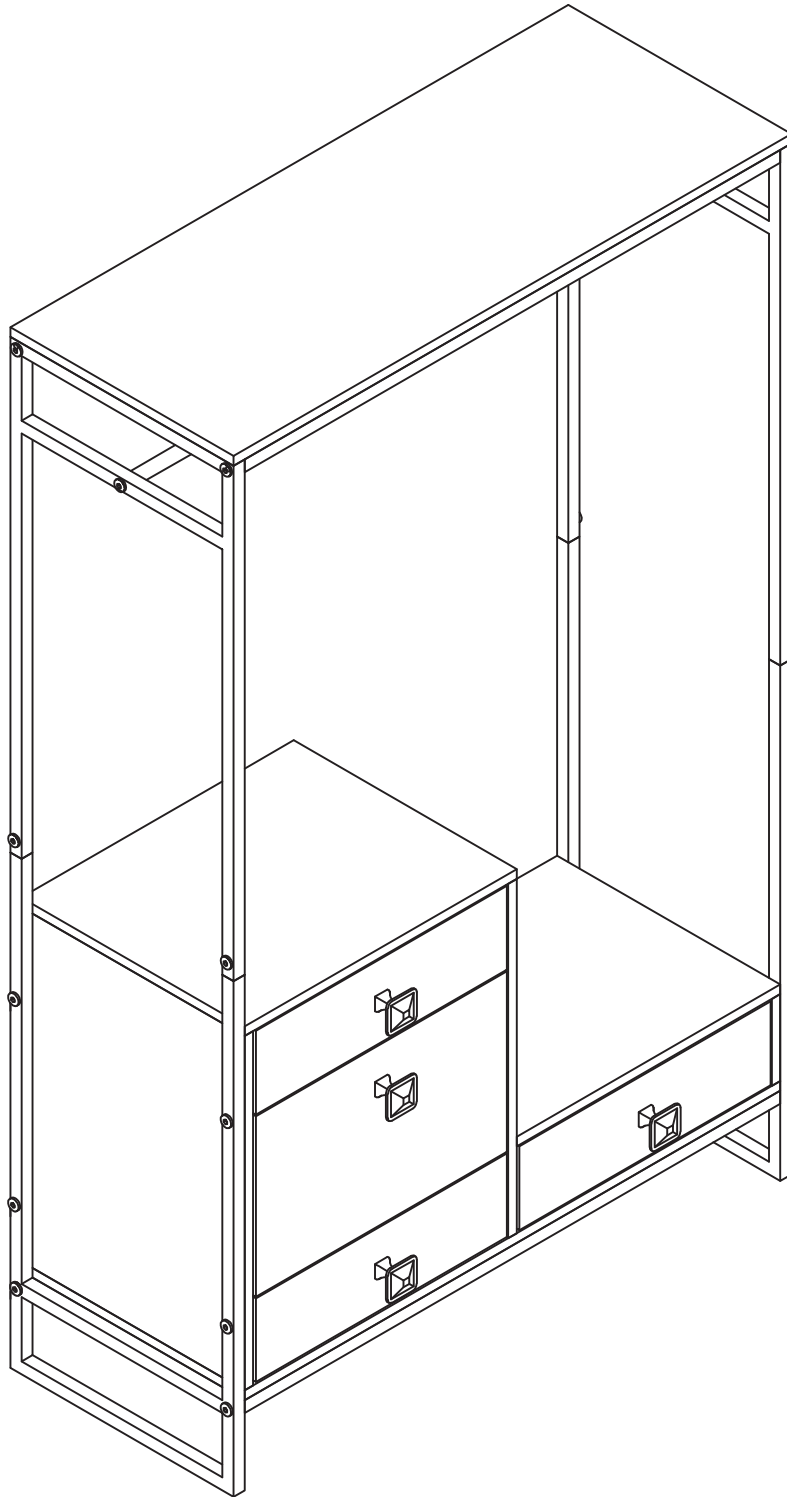
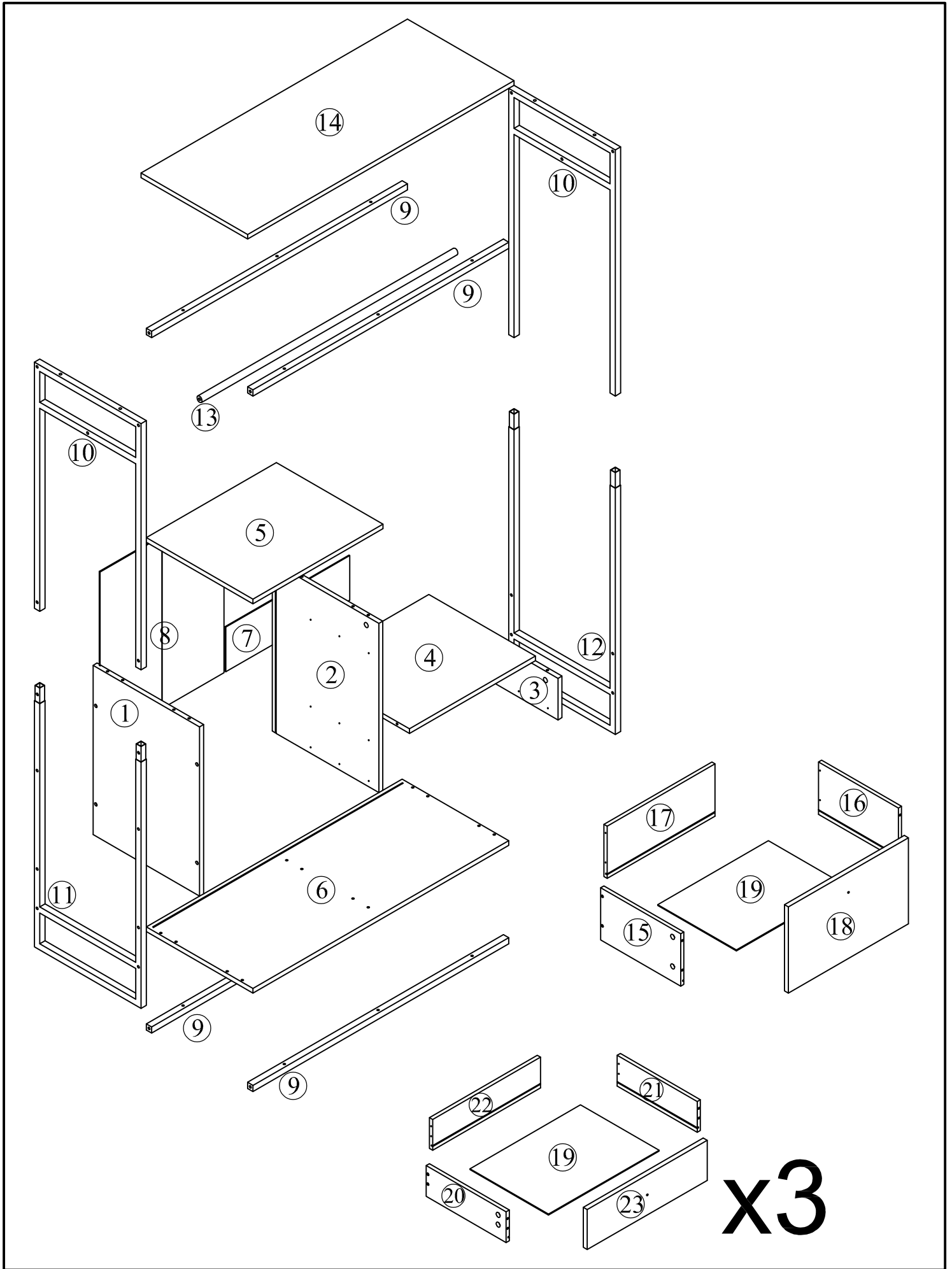
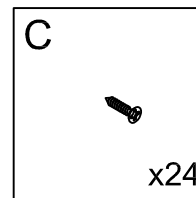
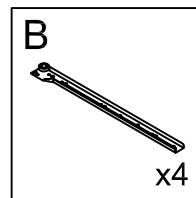
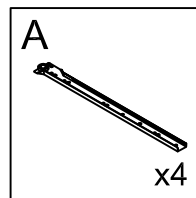
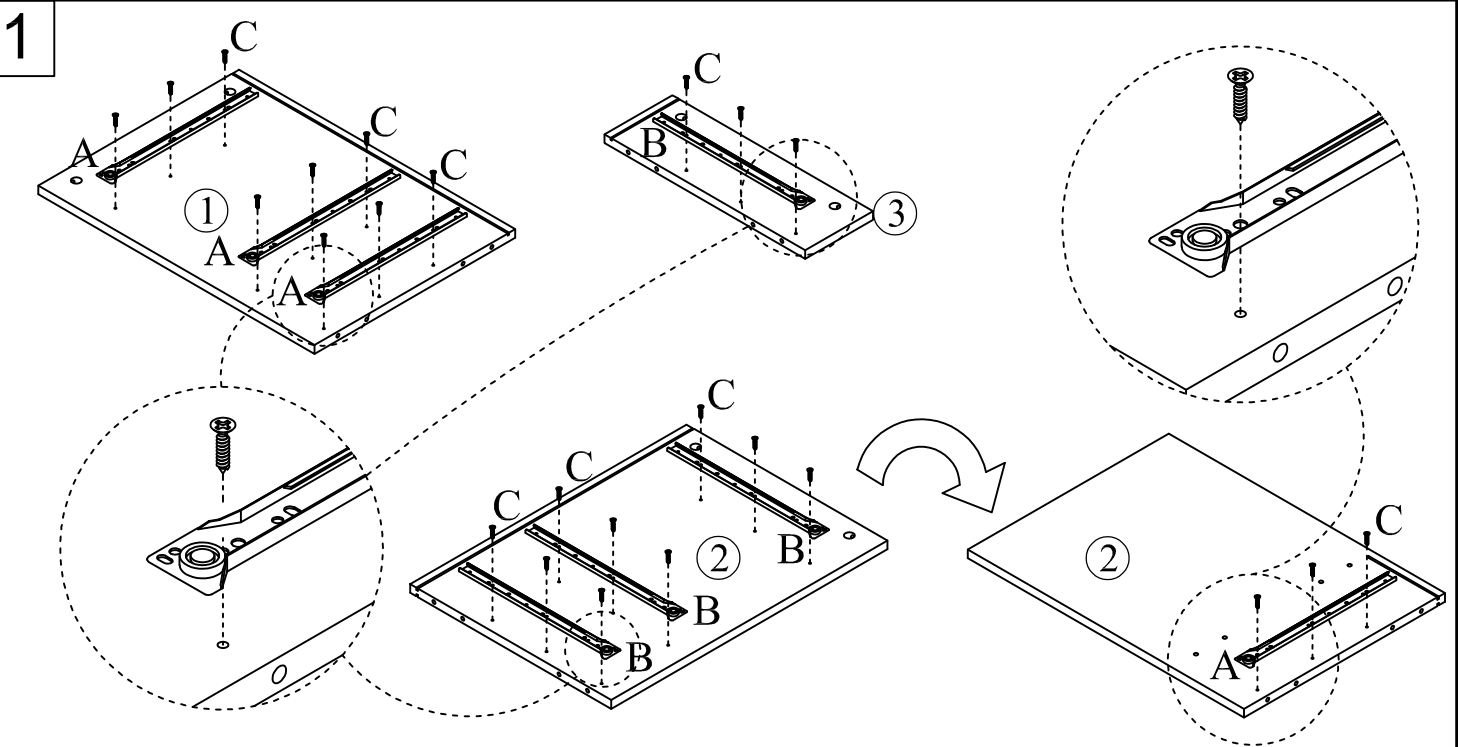
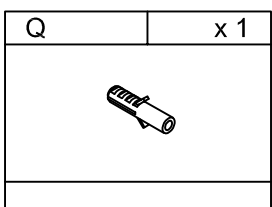
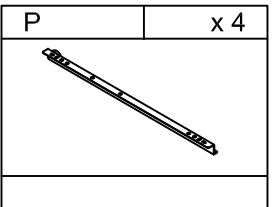
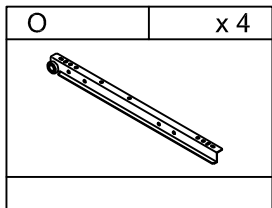
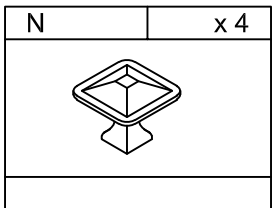
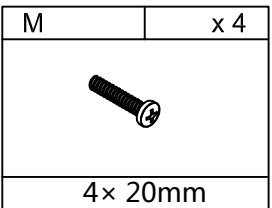
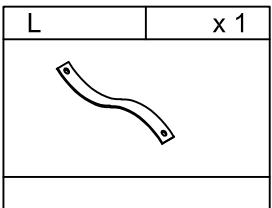
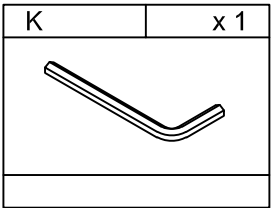
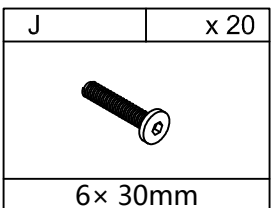
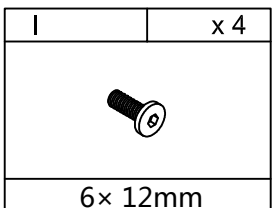
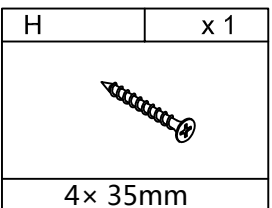
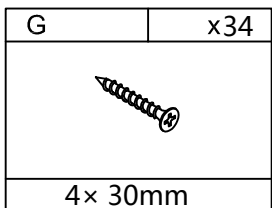
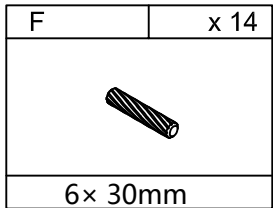
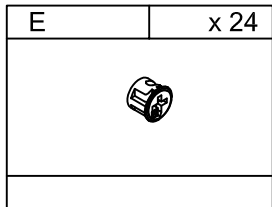
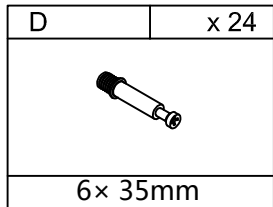
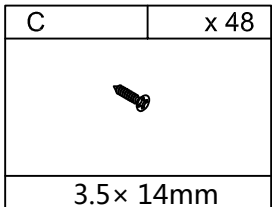
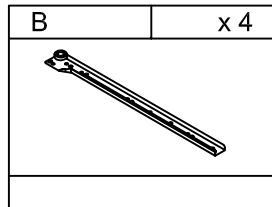
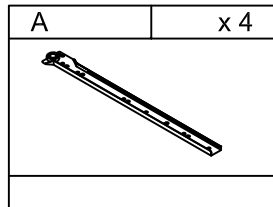


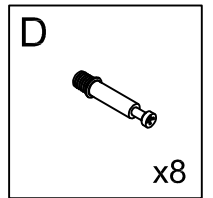
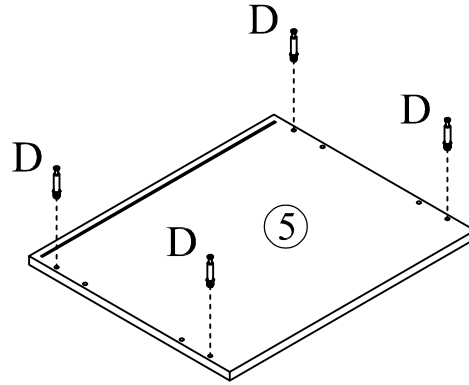
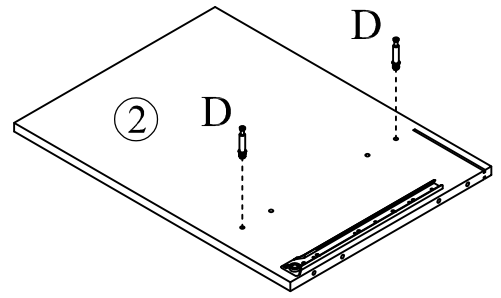
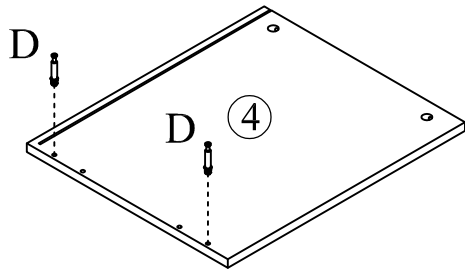
# INSTRUCTION



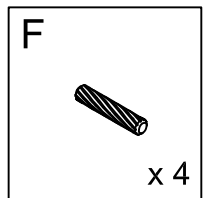
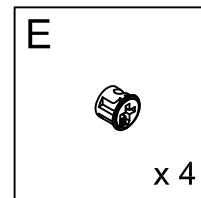
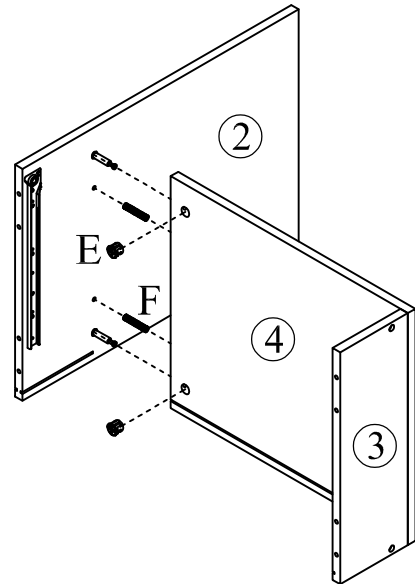
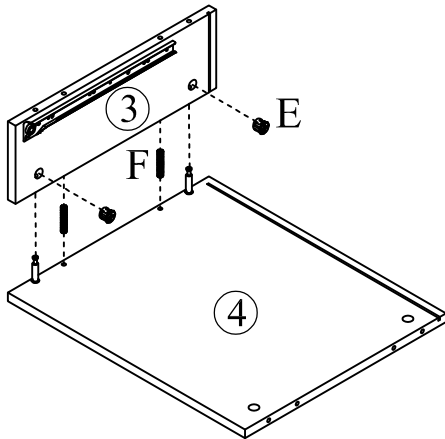




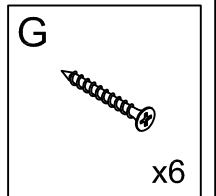
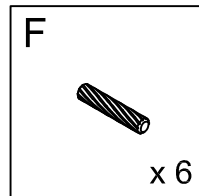
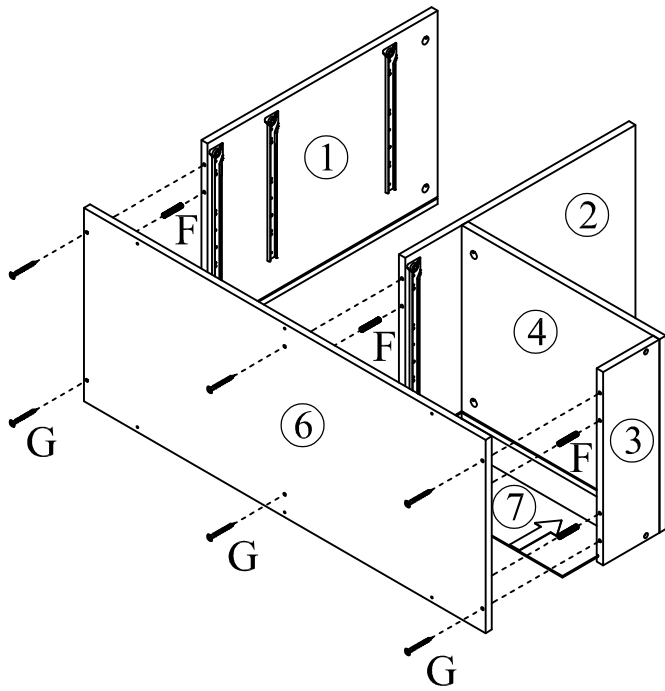
2



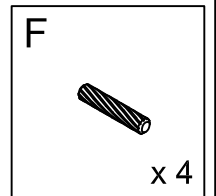
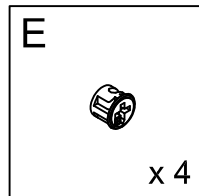
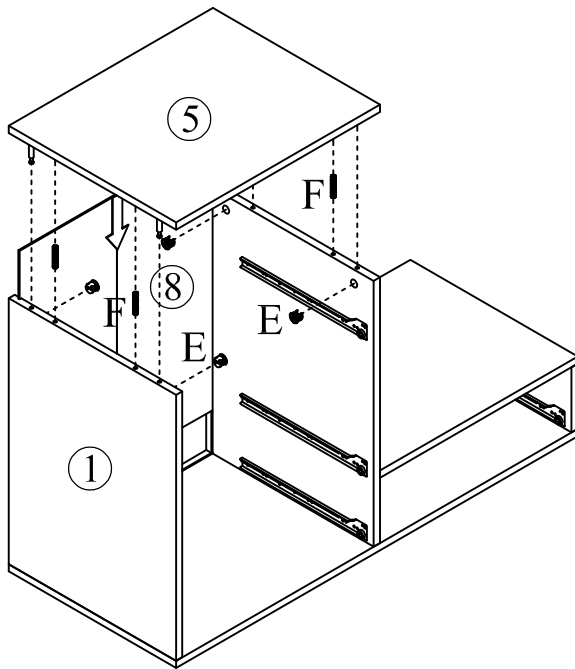
3



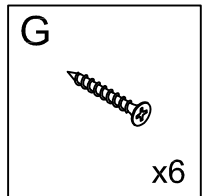
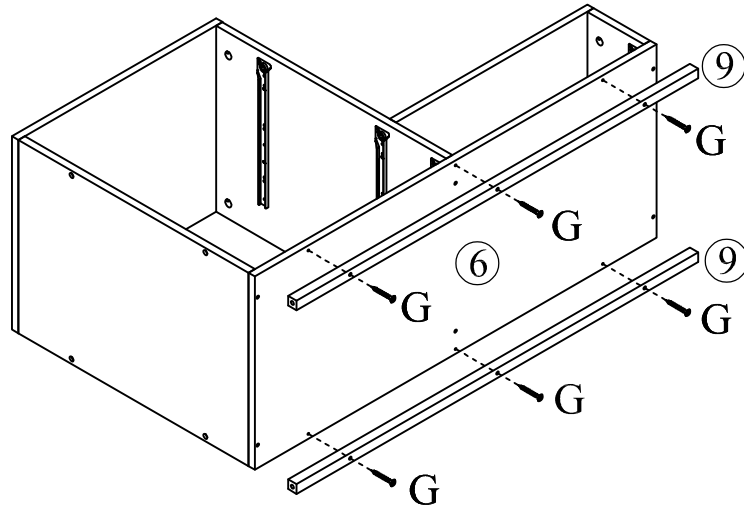
4



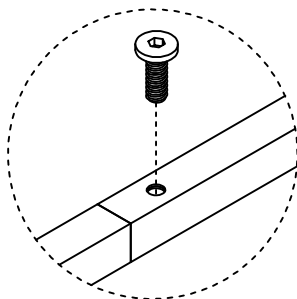
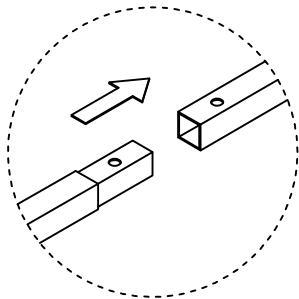
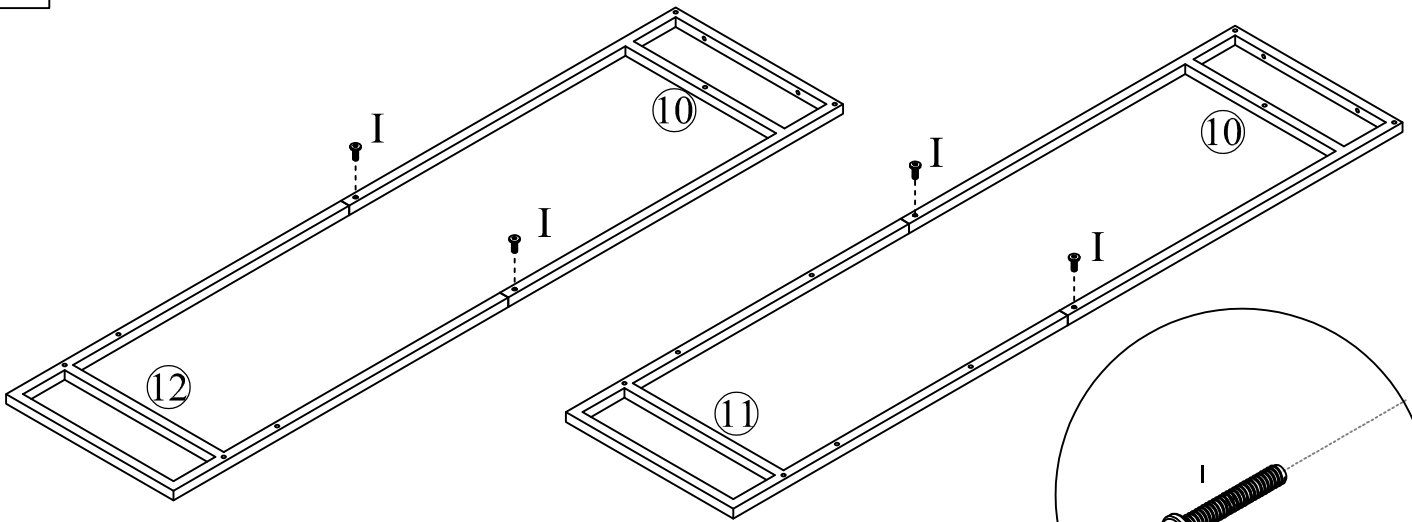
5



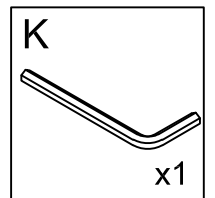
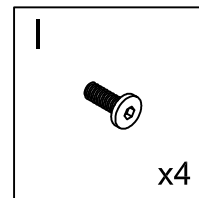
6



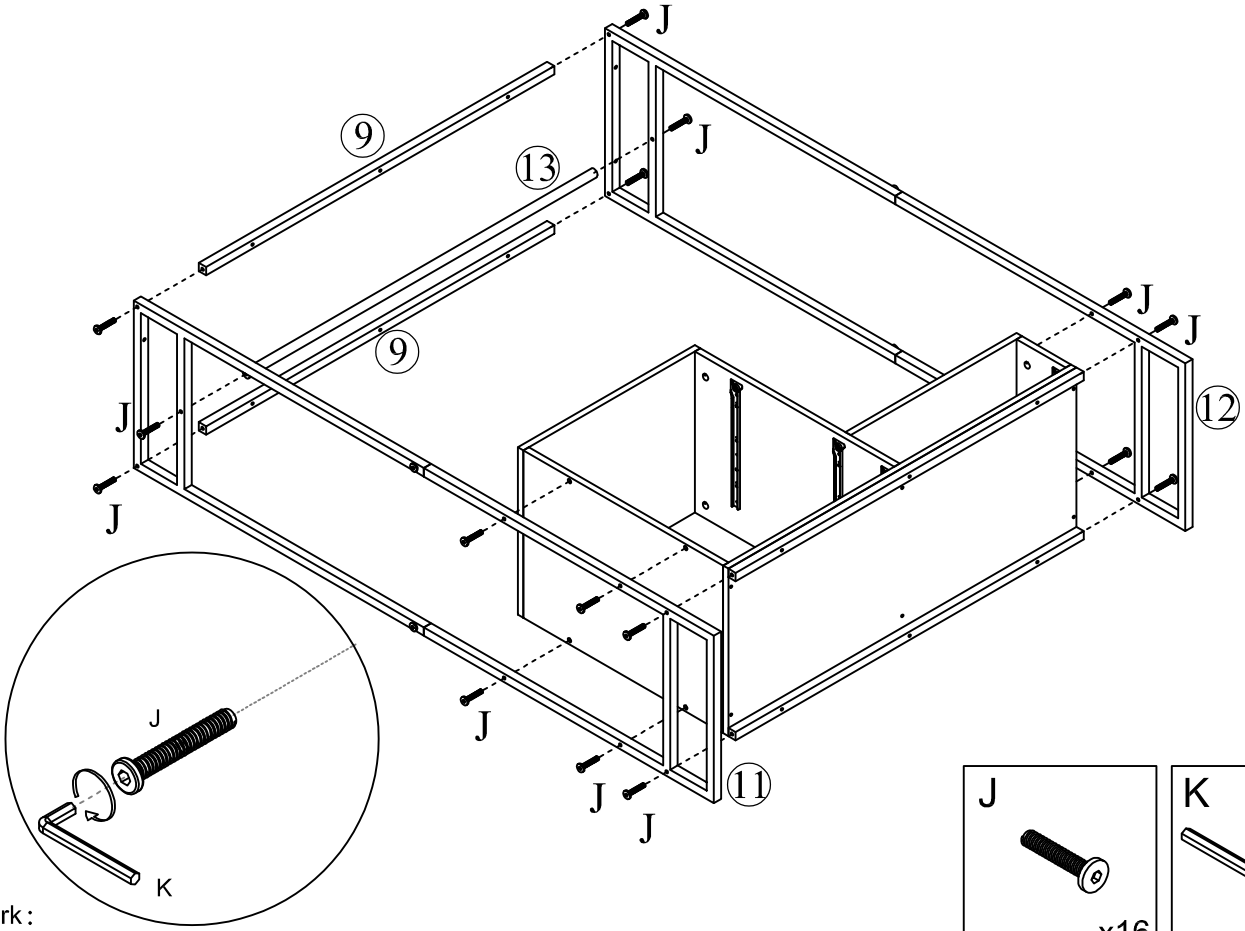
7



remark :

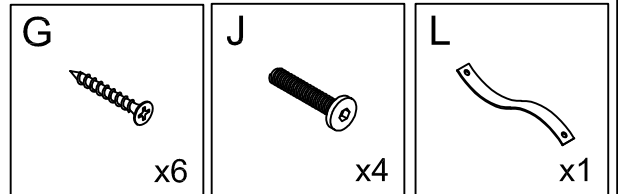
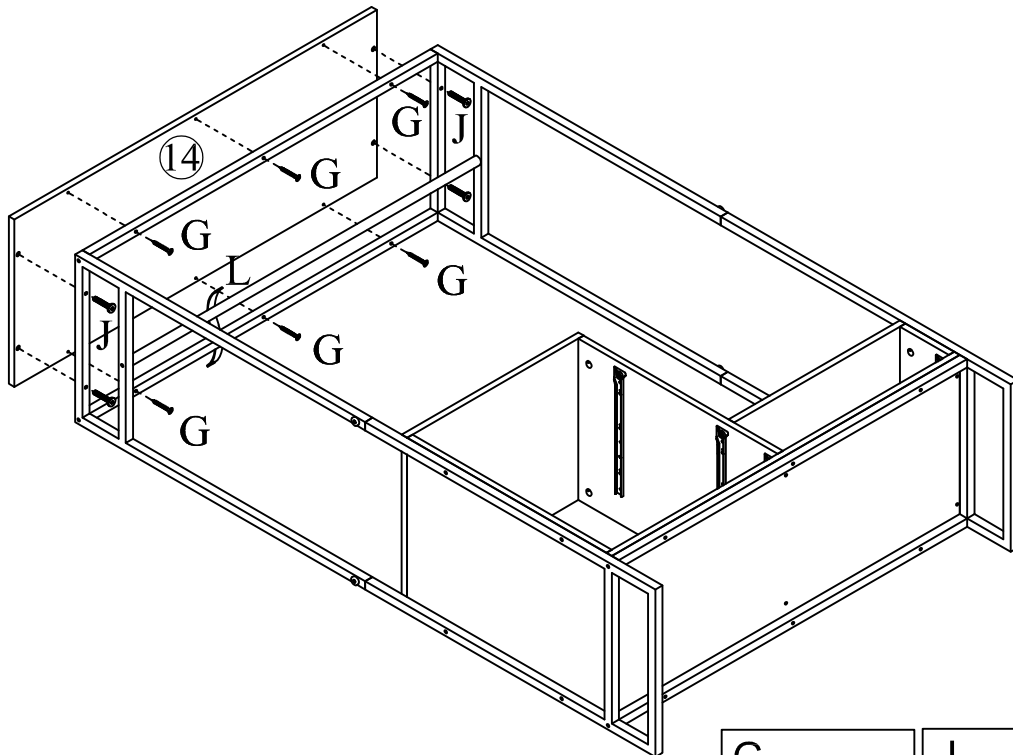


8

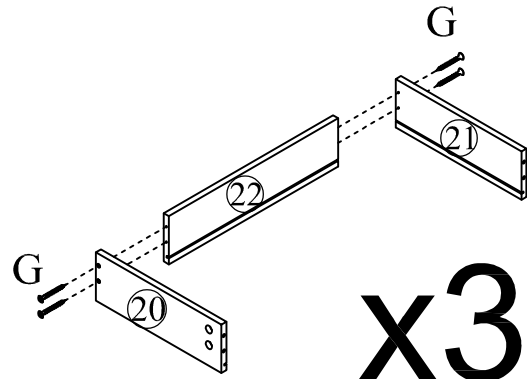
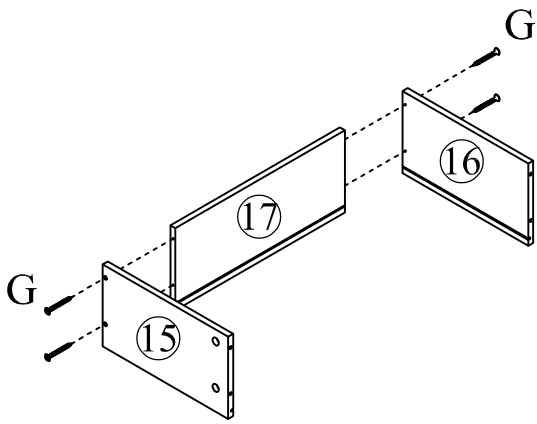


remark:

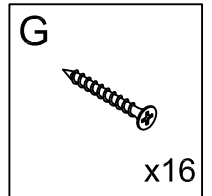
9



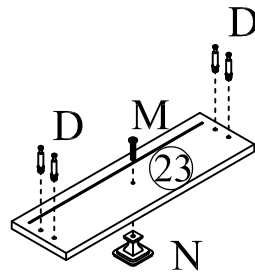
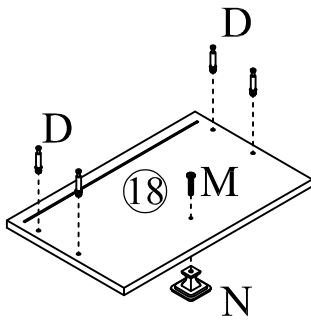
10



x3

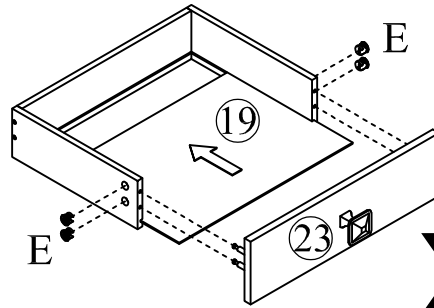
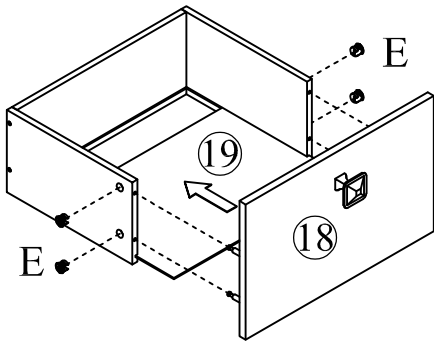


11

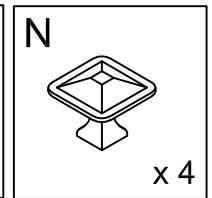
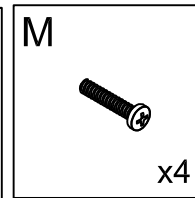
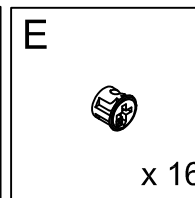
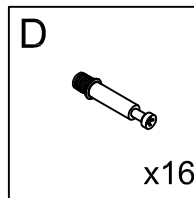


x3

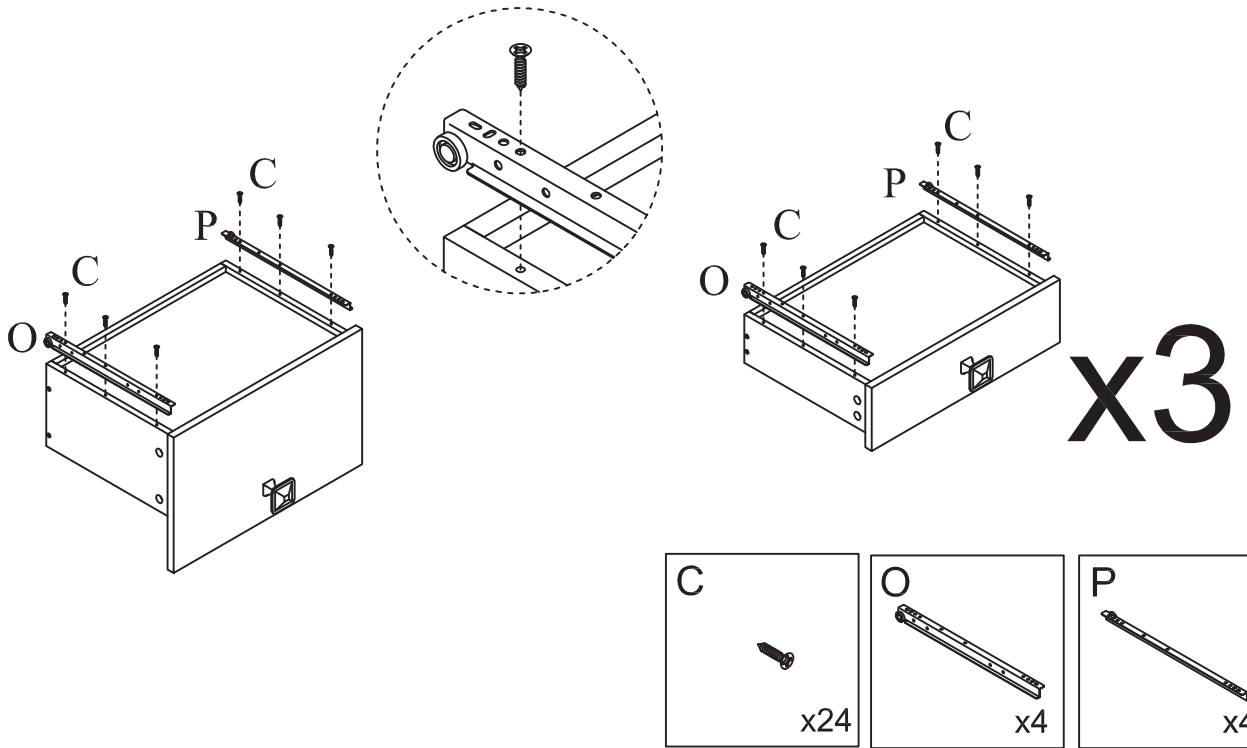
D



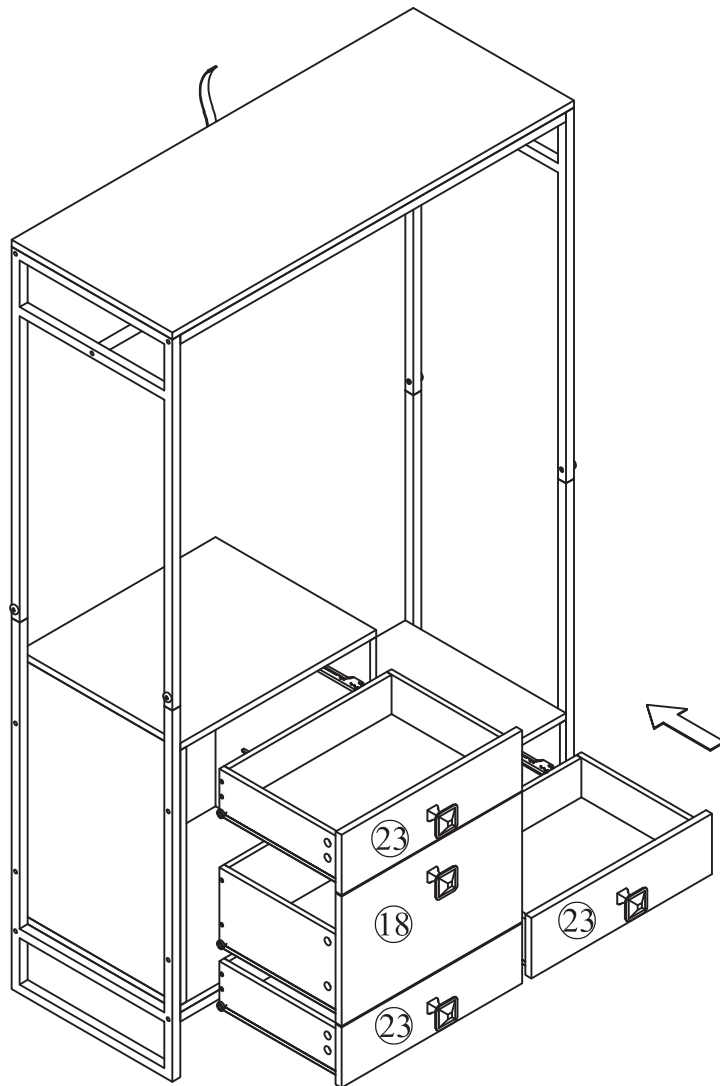
x3



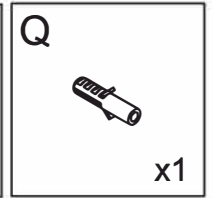
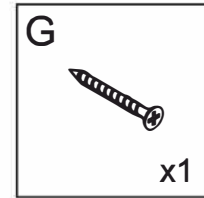
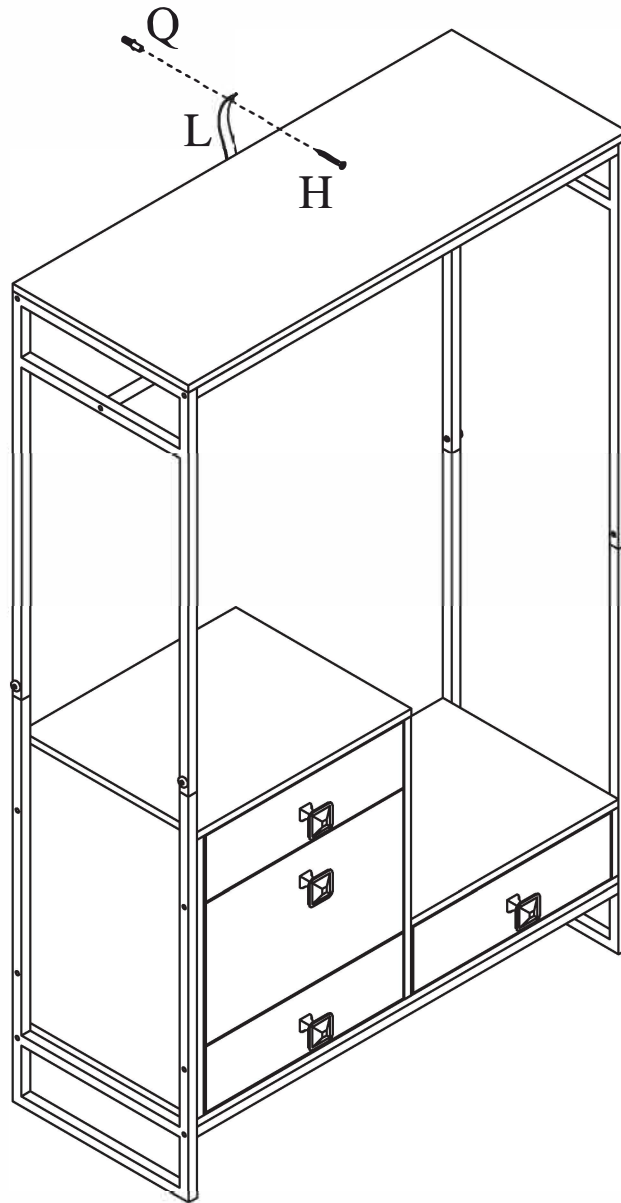
12



13



14



---

THANK YOU